

DRAWING NUMBER: VENTPLAN5
 APPROVED BY:
 CHECKED BY:
 DRAWN BY: KG
 DATE: 10/22/03
 OFFICE: Pittsburgh, PA

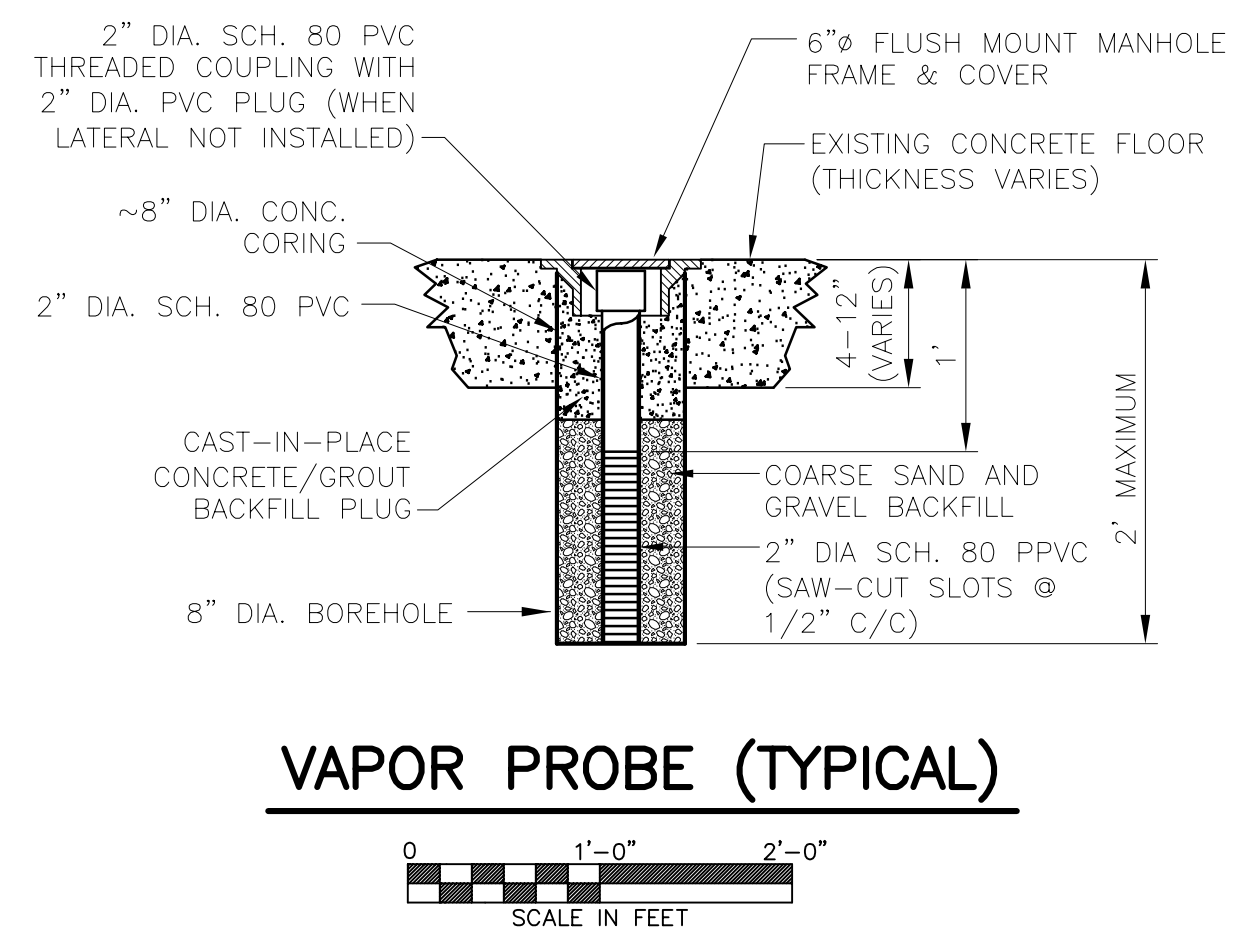
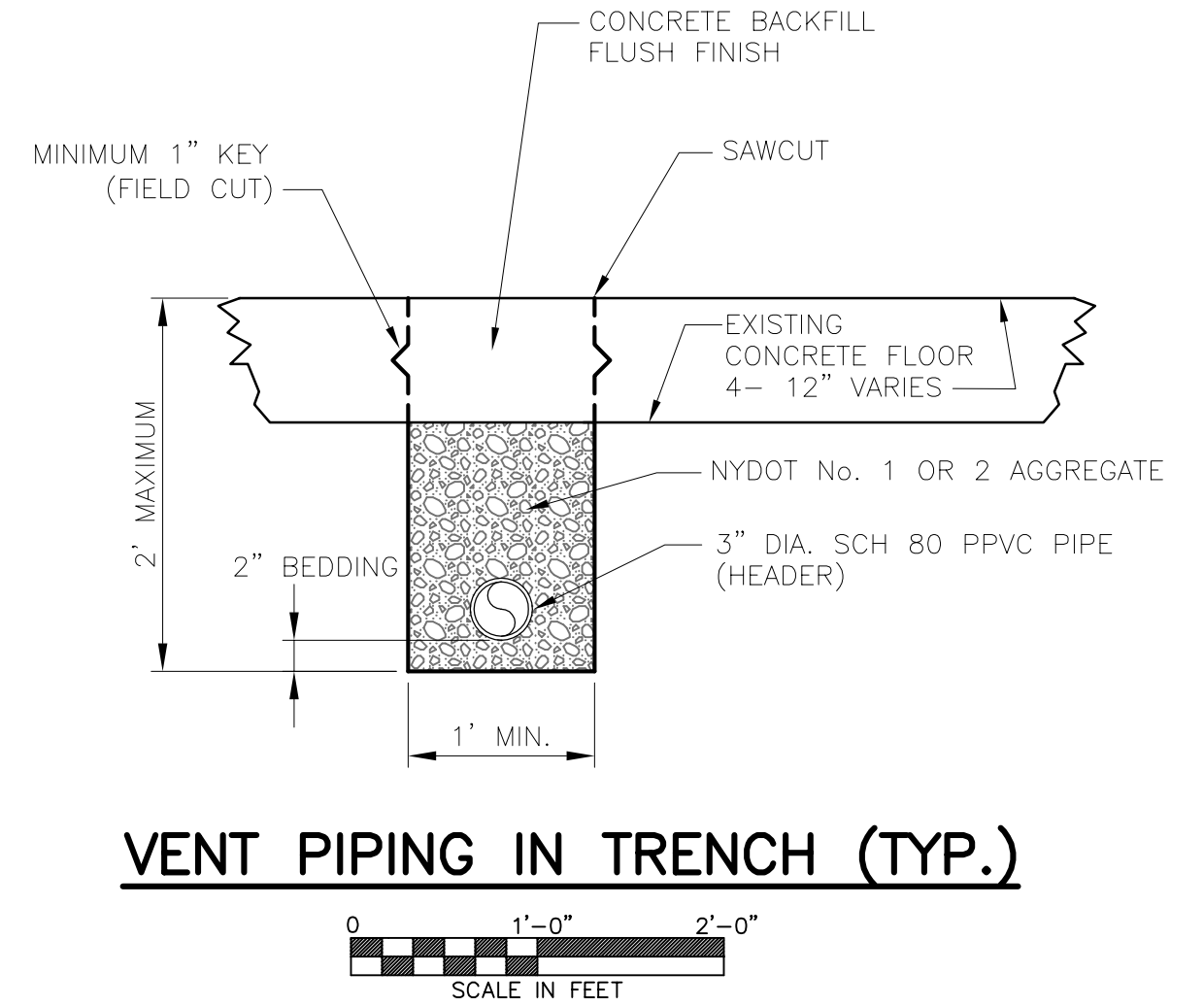
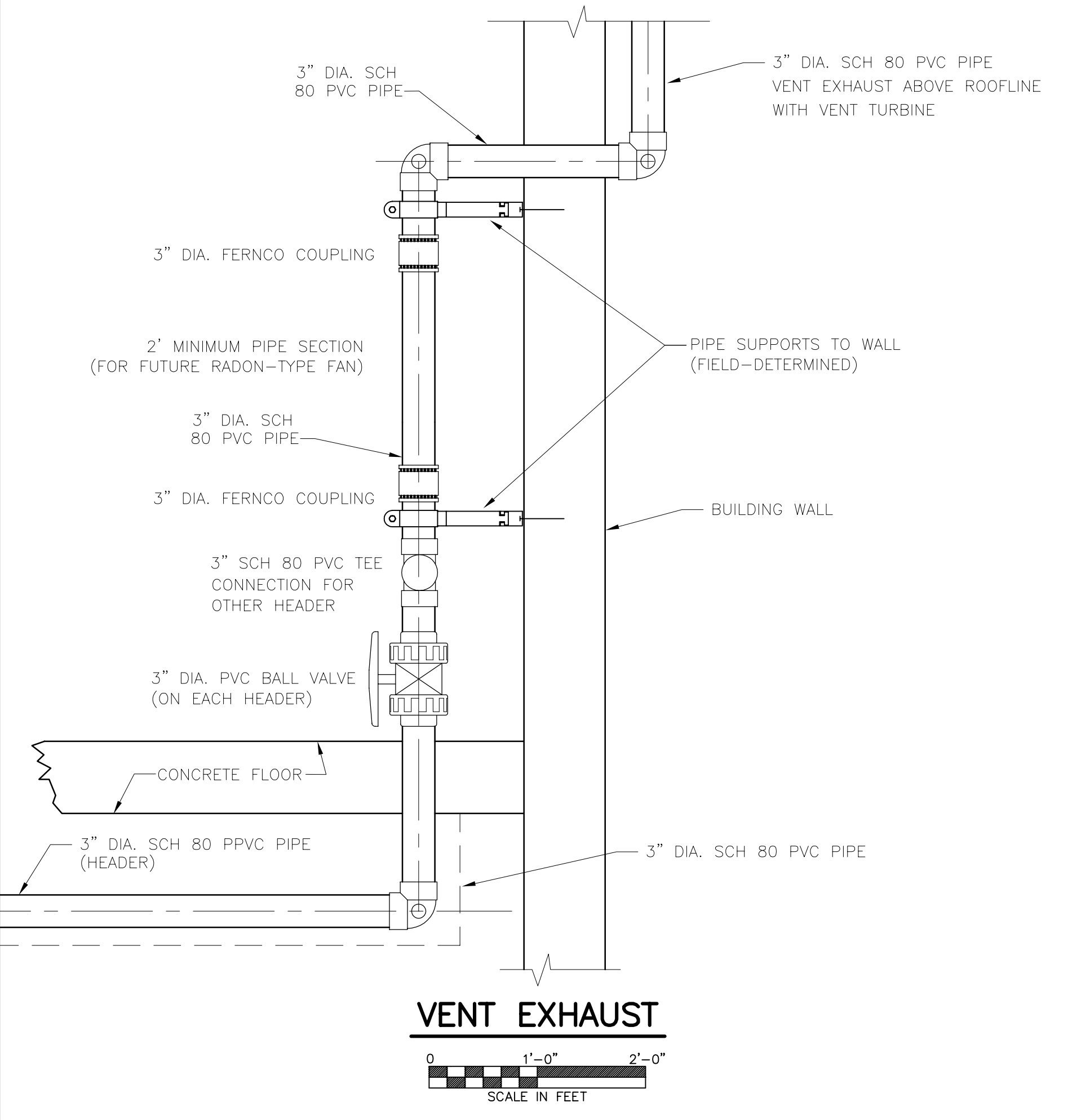
OVERALL LAYOUT PLAN OF VAPOR PROBES AND VENT HEADERS

LEGEND

- GP-9 GEOPROBE BORING
- ⊙ GP-10 VCP BORING
- ▲ AL-2 ON SITE WELL
- RESIDUAL SOURCE AREA
- TREATMENT AREA
- ◆ PROPOSED PRESSURE INJECTION POINT, MULTIPLE DEPTHS
- ◇ PROPOSED PRESSURE INJECTION POINT, BEDROCK INTERFACE ONLY
- PROPOSED VENT PIPING
- ⊕ PROPOSED VAPOR PROBE (4)

NOTE:
 1. SITE SUBSURFACE CONDITIONS, UTILITIES AND PIPING IN THE VICINITY OF THE VENT AND VAPOR PROBE LOCATIONS NEED TO BE VERIFIED PRIOR TO CONSTRUCTION OF THE VENTING SYSTEM.

PRELIMINARY
NOT FOR CONSTRUCTION



THE CLOSED
ALUMAX-DUNKIRK FACILITY
DUNKIRK, CHAUTAUQUA CO., N.Y.

FIGURE C-1
SUBFLOOR ZVI VENTING PLAN AND DETAILS
THE CLOSED ALUMAX-DUNKIRK FACILITY
DUNKIRK, CHAUTAUQUA CO., N.Y.