

**CONSTRUCTION SPECIFICATIONS**

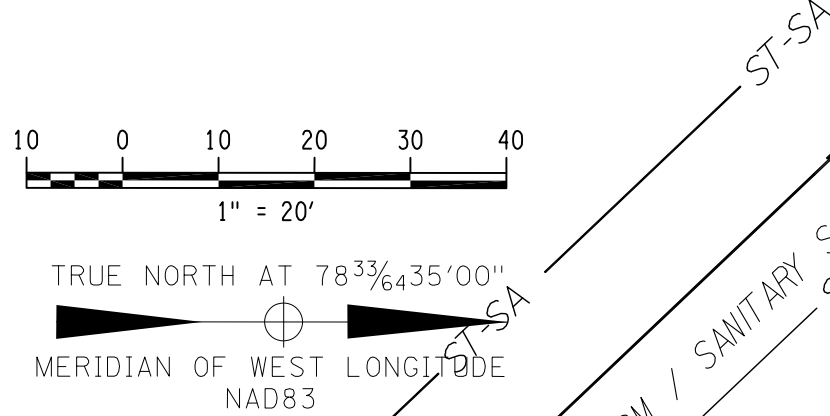
- LAY ONE BLOCK ON EACH SIDE OF THE STRUCTURE ON ITS SIDE FOR DEWATERING. FOUNDATION SHALL BE 2 INCHES MINIMUM BELOW REST OF INLET AND BLOCKS SHALL BE PLACED AGAINST INLET FOR SUPPORT.
- HARDWARE CLOTH OR 1/2\" WIRE MESH SHALL BE PLACED OVER BLOCK OPENINGS TO SUPPORT STONE.
- USE CLEAN STONE OR GRAVEL 1/2-3/4 INCH IN DIAMETER PLACED 2 INCHES BELOW TOP OF THE BLOCK ON A 2:1 SLOPE OR FLATTER.
- FOR STONE STRUCTURES ONLY, A 1 FOOT THICK LAYER OF THE FILTER STONE WILL BE PLACED AGAINST THE 3 INCH STONE AS SHOWN ON THE DRAWINGS.

**GENERAL UTILITY NOTES**

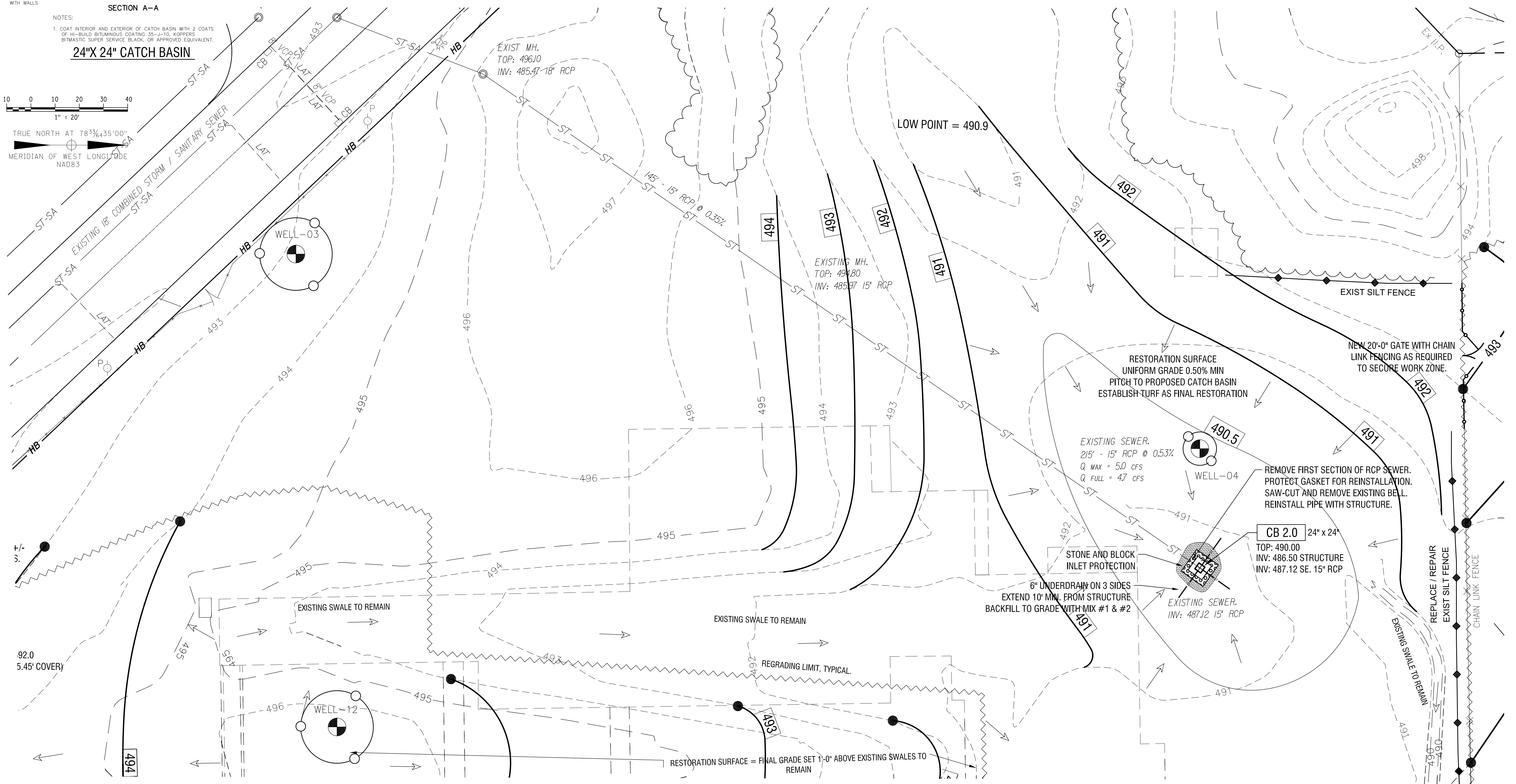
- EXISTING CONDITIONS ARE TAKEN FROM FIELD OBSERVATIONS AND PRIOR CONSTRUCTION DOCUMENTS WHEN AVAILABLE AND ARE NOT GUARANTEED. CONTRACTOR SHALL FIELD VERIFY ALL EXISTING CONDITIONS PRIOR TO BID. NO ALLOWANCE WILL BE MADE FOR ADDITIONAL COSTS DUE TO CONTRACTORS FAILURE TO VERIFY EXISTING CONDITIONS AND DIMENSIONS.
- WHEN EXISTING CONSTRUCTION WHICH IS TO REMAIN IS DAMAGED DURING THE COURSE OF CONSTRUCTION AS A RESULT OF CONTRACTORS WORK, IT SHALL BE REPAIRED AND/OR REPLACED WITH SIMILAR OR LIKE MATERIALS AS MUCH AS POSSIBLE, SUBJECT TO OWNERS APPROVAL.
- PRIOR TO THE START OF CONSTRUCTION, THE CONTRACTOR SHALL NOTIFY DIG SAFELY NEW YORK AT 1-800-962-7962 TO REQUEST UTILITY STAKEOUT OF ALL PUBLIC UTILITIES.
- ALL WORK INDICATED ON THIS DRAWING SHALL BE DONE UNDER THE GENERAL CONSTRUCTION CONTRACT UNLESS OTHERWISE NOTED.
- PROTECT EXISTING UTILITIES TO REMAIN. ANY LATERALS ENCOUNTERED DURING EXCAVATIONS, WHICH ARE NOT DEPICTED ON THE CONSTRUCTION DOCUMENTS, SHALL BE REPORTED TO LABELLA ASSOCIATES.

NO.	REVISION	DATE
1	EXISTING 15\"/>	4/27/14

**24\"/>**



TRUE NORTH AT 78°33'43.5\"/>



**LABELLA**  
Associates, P.C.

300 STATE STREET  
ROCHESTER, NY 14614  
P: (585) 454-6110  
F: (585) 454-3086  
www.labella.com  
copyright © 2008

PROJECT CLIENT  
**PHOTECH**  
1000 DRIVING PARK  
ROCHESTER, NY 14613

CITY OF ROCHESTER  
30 CHURCH STREET  
ROCHESTER, NY 14614-1290

DRAWING TITLE  
**REVISED UTILITY AND GRADING PLAN**

ISSUED FOR  
**CONSTRUCTION**

DESIGNED BY: B.S.B.  
DRAWN BY: B.S.B.  
REVIEWED BY: #

DATE: SEPTEMBER, 2011  
PROJECT: 209288

PROJECT/DRAWING NUMBER  
**209288**

**C-3.1**