

TRANSMITTAL SLIP

AB
BPS
[initials]

TO: Brian Sadowski
FROM: Ben Loreds DATE: 4-15-96
RE: Love Canal 1995 Monitoring Report

For your information and review. If you have any comments, please contact me.

Thanks

FOR ACTION AS INDICATED:

- Please Handle
- Prepare Reply
- Prepare Reply for _____
Signature
- Information
- Approval
- Prepare final/draft in _____ Copies

RECEIVED

APR 1 1996

NYSDOCS

REL

- Comments
- Signature
- File
- Return to me
- _____
- _____

Ben



Occidental Chemical Corporation

1995 MONITORING REPORT

**Love Canal
Occidental Chemical Corporation
Niagara Falls, New York**

PRINTED ON

MAR 19 1996



Occidental Chemical Corporation

RECEIVED

APR 17 1996

NYSDEC-REG. 9
FOIL
___REL___UNREL

1995 MONITORING REPORT

Love Canal
Occidental Chemical Corporation
Niagara Falls, New York

MARCH 1996

REF. NO. 6440 (3)

This report is printed on recycled paper.

CONESTOGA-ROVERS & ASSOCIATES

TABLE OF CONTENTS

	<u>Page</u>
1.0 INTRODUCTION	1

LIST OF FIGURES

	<u>Following Report</u>
FIGURE 1.1 1995 GROUNDWATER SAMPLE COLLECTION PROGRAM	
FIGURE 1.2 JUNE 1995 FLOW DIAGRAM - 1140 SERIES PIEZOMETERS	
FIGURE 1.3 JUNE 1995 FLOW DIAGRAM - 1150 SERIES PIEZOMETERS	
FIGURE 1.4 JUNE 1995 FLOW DIAGRAM - 1160 SERIES PIEZOMETERS	
FIGURE 1.5 JUNE 1995 FLOW DIAGRAM - 1170 SERIES PIEZOMETERS	
FIGURE 1.6 JUNE 1995 FLOW DIAGRAM - 1180 SERIES PIEZOMETERS	
FIGURE 1.7 JUNE 1995 FLOW DIAGRAM - 1190 SERIES PIEZOMETERS	

LIST OF TABLES

TABLE 1.1	SUMMARY OF DETECTED PARAMETERS 1995 LONG-TERM MONITORING
-----------	---

LIST OF APPENDICES

APPENDIX A	CHEMICAL RESULTS
APPENDIX B	WATER LEVEL MEASUREMENTS

1.0 INTRODUCTION

Operation of the Love Canal Site (Site) was transferred from the New York State Department of Environmental Conservation (NYSDEC) to Occidental Chemical Corporation (OxyChem) in April, 1995. This report is the first annual report prepared by OxyChem and covers the activities for 1995.

Activities at the Site included:

- i) operation of the barrier drain and treatment system; and
- ii) hydraulic and chemical monitoring (Long-Term Monitoring).

There were no major problems, repairs, or changes, other than the normal maintenance, in the operation of the system. No carbon change-outs were performed by OxyChem. The total volume of groundwater from the Site treated at the Love Canal Leachate Treatment Facility was 3,292,000 gallons which is equal to an average monthly volume of 274,340 gallons.

The 1995 chemical sampling event was performed over a 5-week period from May 1 to June 1, 1995 in which 38 wells were sampled and analyzed for Site-specific parameter. Figure 1.1 shows the wells sampled and Table 1.1 presents a summary of the number and location of detected compounds. The chemical results are presented in Appendix A.

Water levels were measured at six nested piezometer strings in April, June, November, and December 1995. Figures 1.2 to 1.7 show the overburden groundwater flow conditions for June 1995 along the six piezometer strings. The water levels are presented in Appendix B.

The 1995 groundwater levels showed that groundwater gradients were towards the barrier drain. Therefore, the barrier drain is pulling in groundwater from outside the drain and successfully capturing horizontal groundwater flow from the Site. Similar to previous Long-Term Monitoring events which were performed by the NYSDEC, there was

minimal detection of chemicals in the wells sampled in 1995. Chemicals that were detected were at low levels, do not indicate a failure in the barrier drain, and do not pose an immediate threat to groundwater quality. The 1995 chemical analytical results are consistent with previous Long-Term Monitoring analytical results. Therefore, the 1995 results showed no significant change in chemical and hydrological conditions at the Site. The barrier drain is successfully capturing leachate from the Site, and preventing off-Site migration of chemicals. The remediation system is functioning as designed.

FIGURES

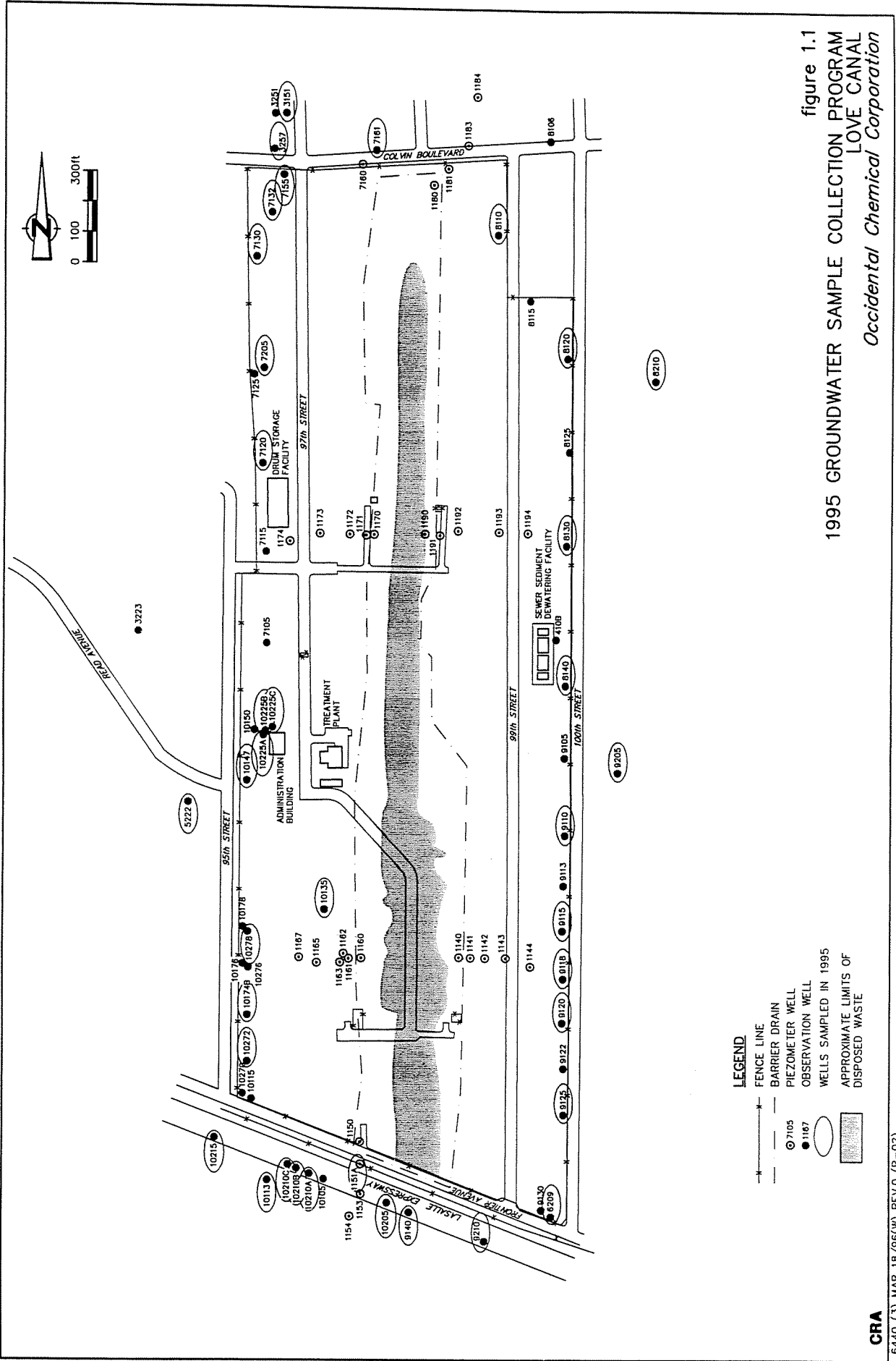


figure 1.1
 1995 GROUNDWATER SAMPLE COLLECTION PROGRAM
 LOVE CANAL
 Occidental Chemical Corporation

LEGEND
 * FENCE LINE
 --- BARRIER DRAIN
 ⊙ 7105 PIEZOMETER WELL
 ● 7107 OBSERVATION WELL
 ○ WELLS SAMPLED IN 1995
 [shaded] APPROXIMATE LIMITS OF DISPOSED WASTE

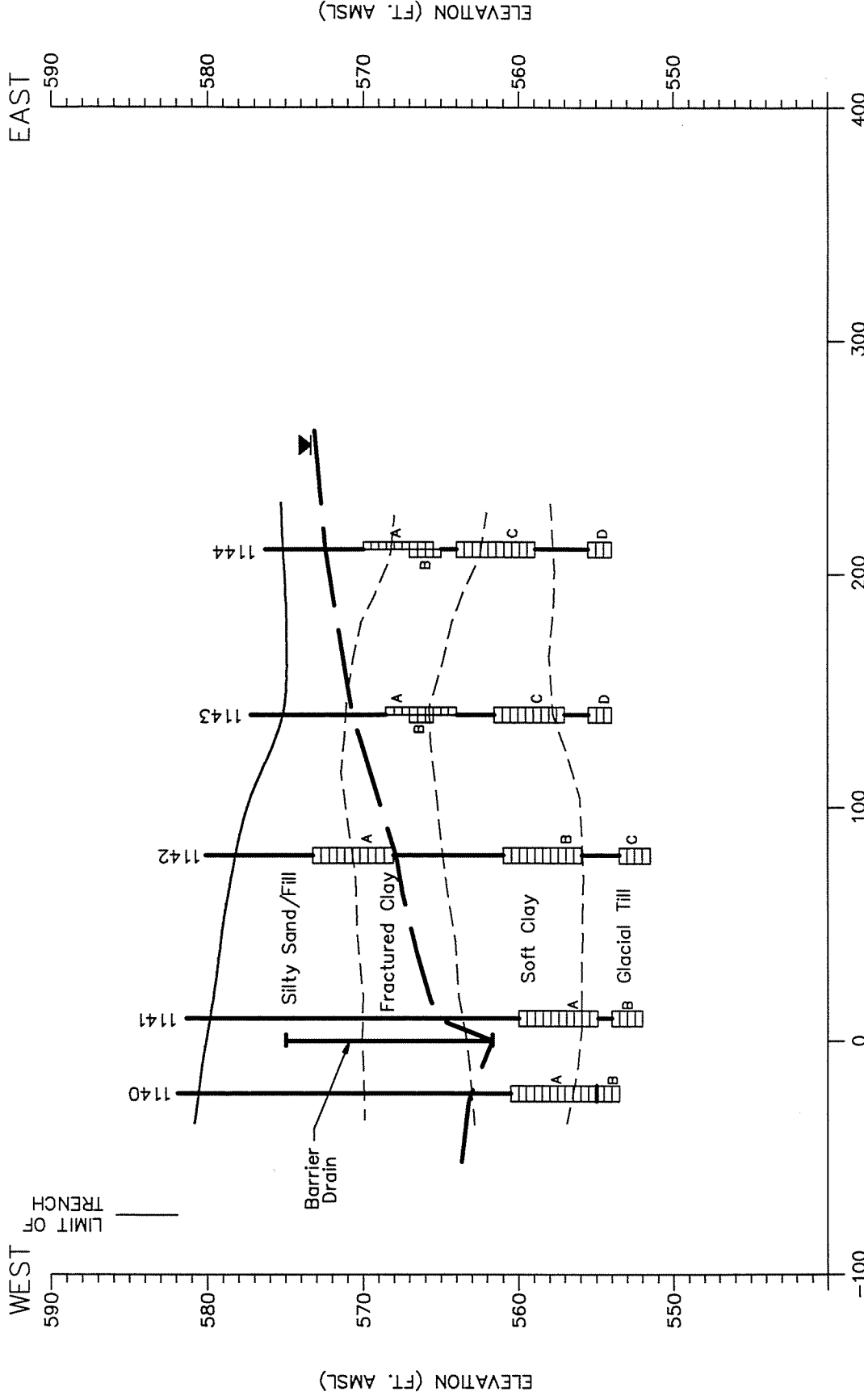


figure 1.2
 JUNE 1995 FLOW DIAGRAM
 1140 SERIES PIEZOMETERS
 LOVE CANAL
 Occidental Chemical Corporation

LEGEND
 --- GROUNDWATER LEVEL
 --- GROUNDWATER LEVEL SHOWN IS FOR UPPERMOST MONITORED INTERVAL

CRA

SOUTH

590

580

570

560

550

ELEVATION (FT. AMSL)

NORTH

590

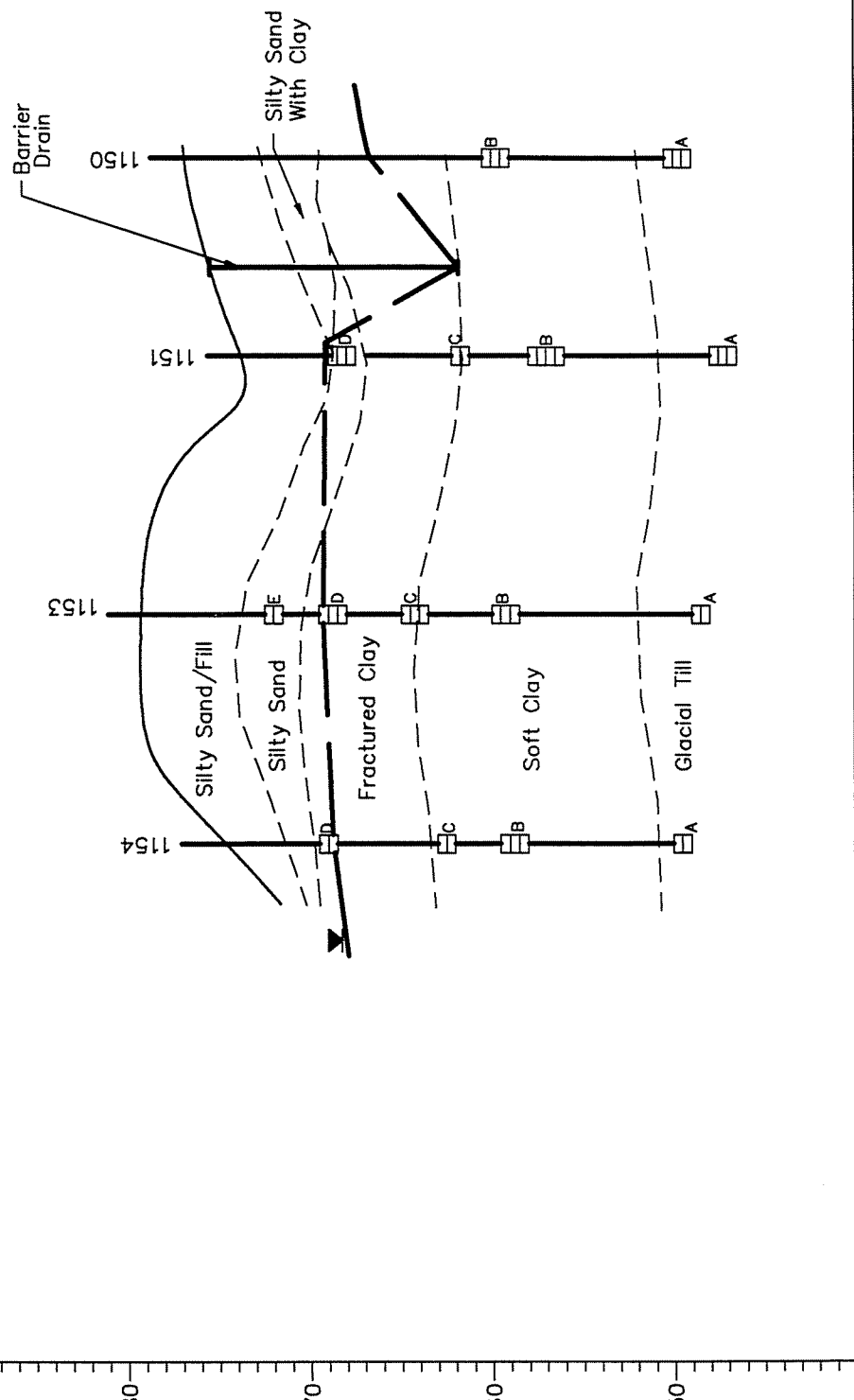
580

570

560

550

ELEVATION (FT. AMSL)



100

0

-100

-200

-300

-400

FEET FROM BARRIER DRAIN

figure 1.3

JUNE 1995 FLOW DIAGRAM
1150 SERIES PIEZOMETERS
LOVE CANAL

LEGEND

--- GROUNDWATER LEVEL

NOTE: GROUNDWATER LEVEL SHOWN IS FOR
UPPERMOST MONITORED INTERVAL

CRA

Occidental Chemical Corporation

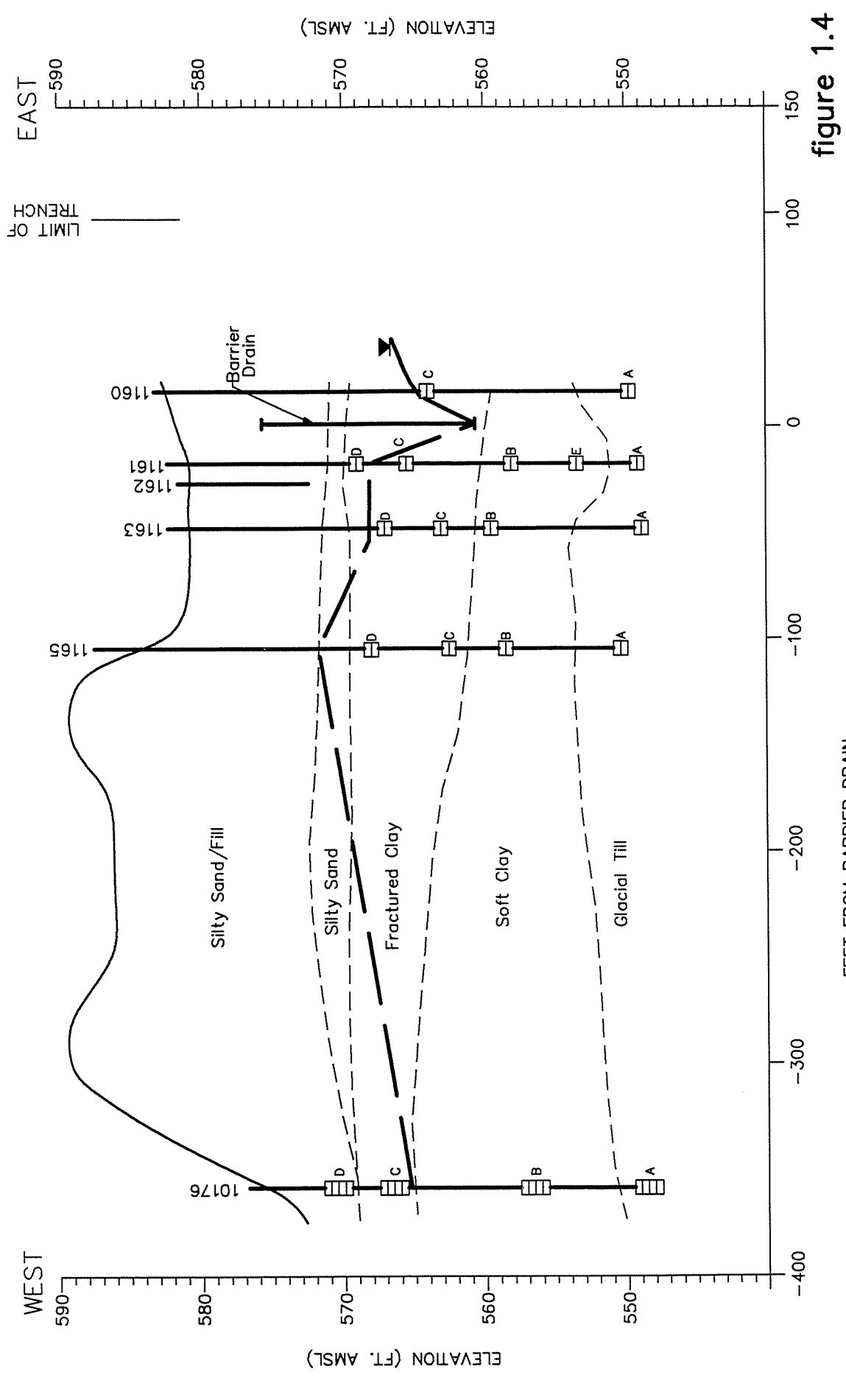


figure 1.4
JUNE 1995 FLOW DIAGRAM
1160 SERIES PIEZOMETERS
LOVE CANAL
Occidental Chemical Corporation

LEGEND
 --- GROUNDWATER LEVEL
 --- NOTE: GROUNDWATER LEVEL SHOWN IS FOR UPPERMOST MONITORED INTERVAL

CRA

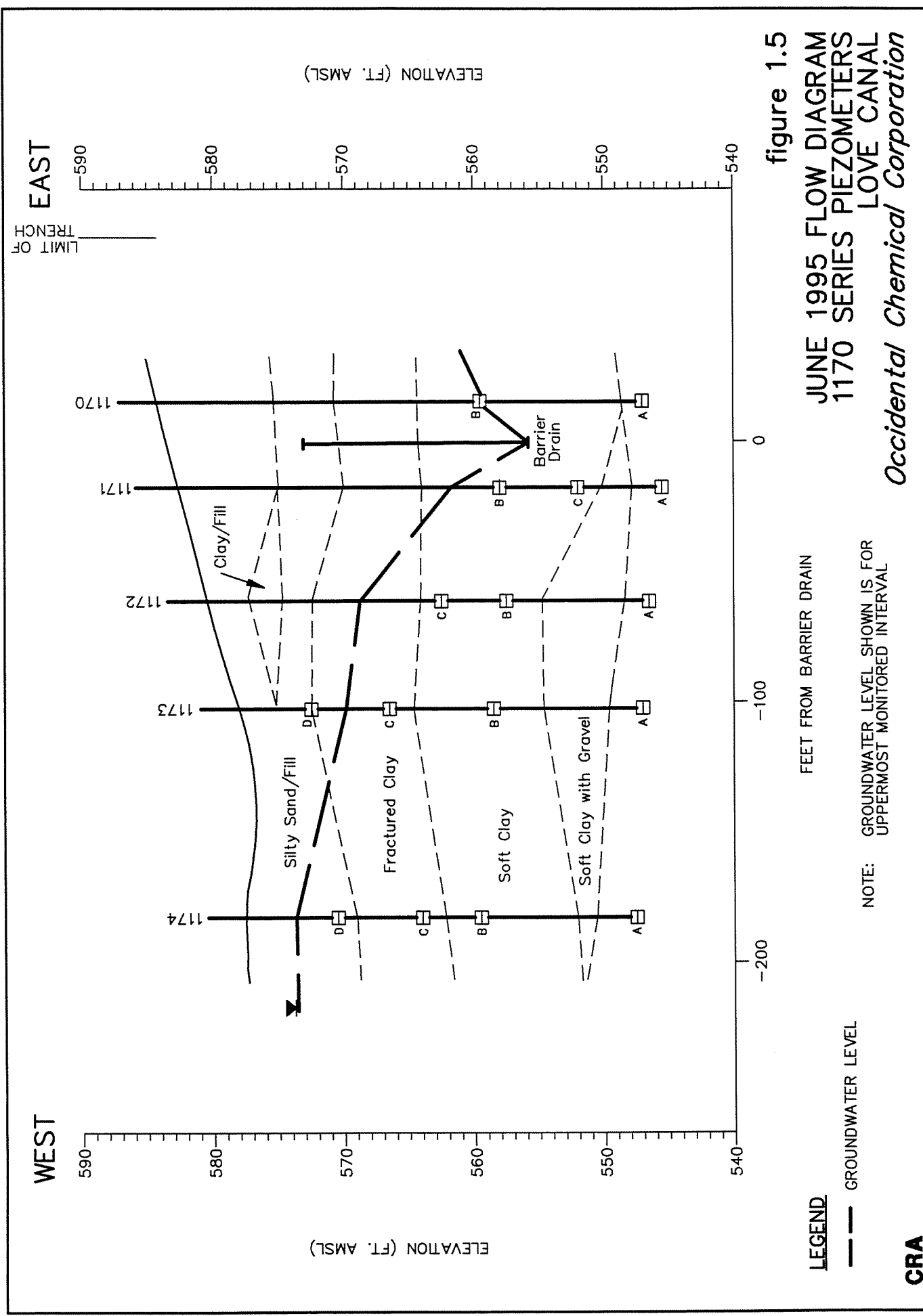


figure 1.5
 JUNE 1995 FLOW DIAGRAM
 1170 SERIES PIEZOMETERS
 LOVE CANAL
Occidental Chemical Corporation

CRA

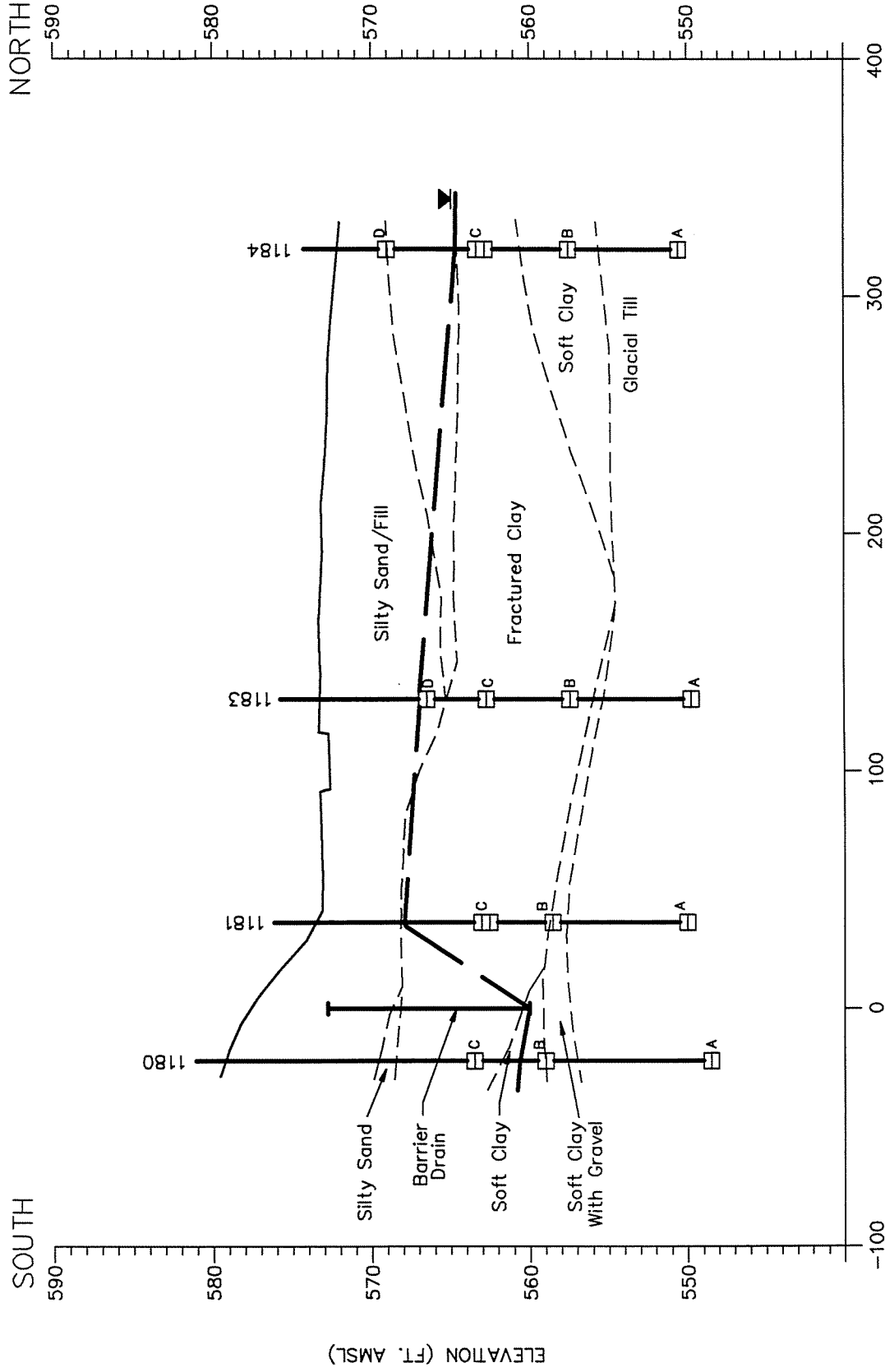


figure 1.6
 JUNE 1995 FLOW DIAGRAM
 1180 SERIES PIEZOMETERS
 LOVE CANAL
 Occidental Chemical Corporation

LEGEND
 --- GROUNDWATER LEVEL
 NOTE: GROUNDWATER LEVEL SHOWN IS FOR UPPERMOST MONITORED INTERVAL

CRA

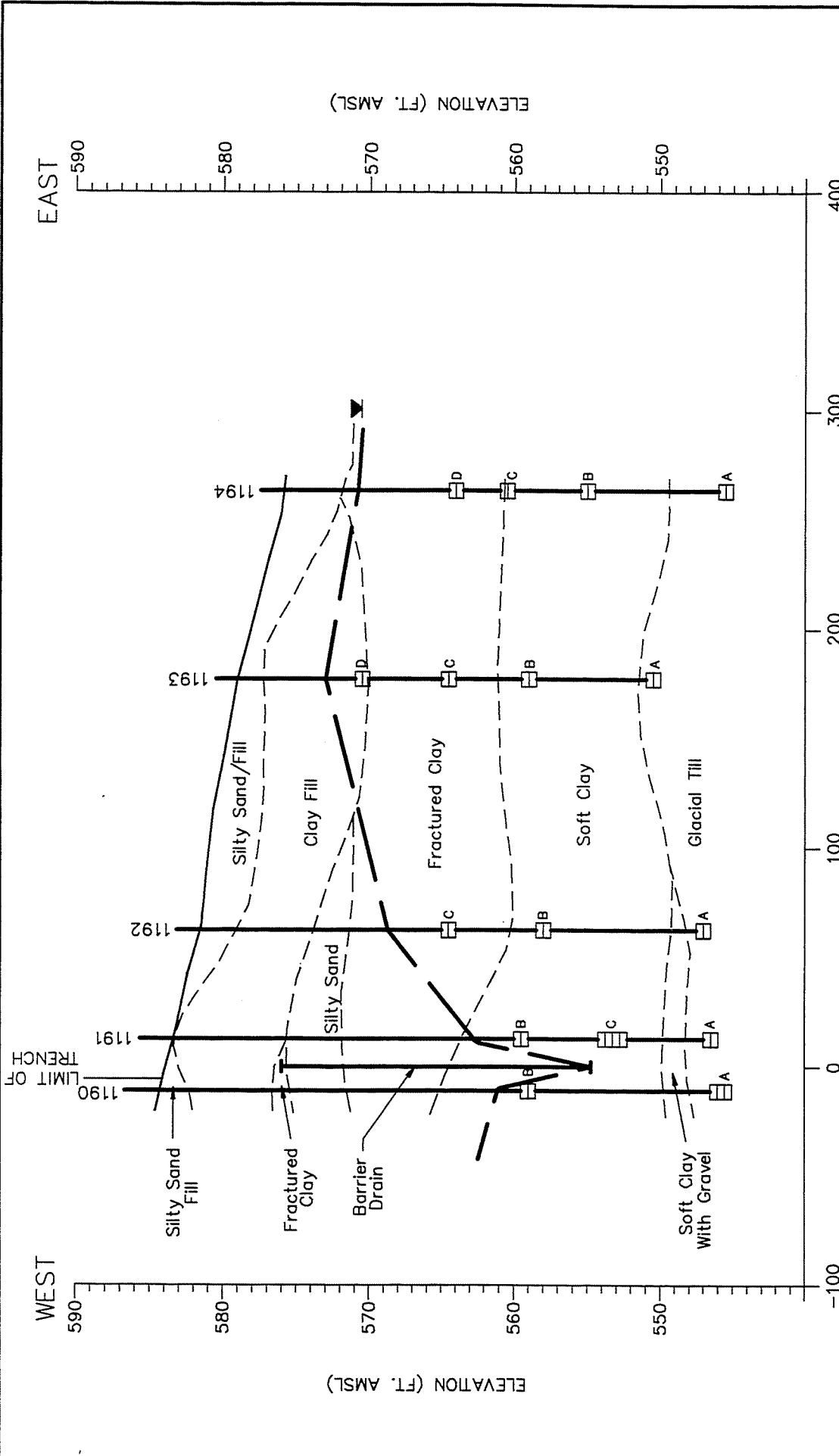


figure 1.7
JUNE 1995 FLOW DIAGRAM
1190 SERIES PIEZOMETERS
LOVE CANAL
Occidental Chemical Corporation

LEGEND
 --- GROUNDWATER LEVEL
 --- GROUND WATER LEVEL SHOWN IS FOR UPPERMOST MONITORED INTERVAL

CRA

TABLES

TABLE 1.1
SUMMARY OF DETECTED PARAMETERS
1995 LONG-TERM MONITORING
LOVE CANAL
OCCIDENTAL CHEMICAL CORPORATION

<i>Overburden Wells</i>	VOCs	SVOCs	<i>Pesticides/PCBs</i>
3151	ND	1	ND
7120	ND	ND	ND
7130	ND	1	ND
7132	ND	ND	ND
7155	ND	1	ND
7161	ND	ND	ND
8110	ND	ND	ND
8120	ND	ND	ND
8130	ND	1	ND
8140	ND	1	ND
9110	ND	ND	ND
9115	ND/ND	1	ND/ND
9118	ND	1	ND
9120	ND	ND	ND
9125	ND	ND	ND
9140	ND	ND	ND
10113	ND	ND	ND
10135	9	5	3
10147	ND	ND	ND
10174B	ND	ND	ND
1151A	ND	1	1
<i>Bedrock Wells</i>			
3257	ND/ND	1/1	ND/ND
5222	ND	1	1
6209	ND/ND	1/1	ND/ND
7205	ND	1	ND
8210	ND	ND	ND
9205	ND	1	ND
9210	ND	ND	ND
10205	ND	1	ND
10210A	1	1	ND
10210B	1	ND	ND
10210C	ND	2	ND
10215	ND	1	ND
10225A	1	ND	ND
10225B	ND/ND	ND/ND	ND
10225C	ND	ND	ND
10272	ND	1	ND
10278	ND	ND	ND
Total # of Detections	12	24	5

Notes:

9 - Number of parameters detected.

1/1 - Duplicate analyses.

ND - No parameters detected at or above detection limits.

APPENDICES

APPENDIX A

CHEMICAL RESULTS

TABLE A.1

ANALYTICAL RESULTS SUMMARY
LONG-TERM MONITORING PROGRAM
OCCIDENTAL CHEMICAL CORPORATION
LOVE CANAL
MAY 1995

	Sample ID:	7120	7130	7132	7155	7205	8210	9205	3257	12010	3151	7161	5222
	Collection Date:	05/01/95	05/01/95	05/01/95	05/01/95	05/02/95	05/02/95	05/02/95	05/03/95	Dup. of 3257 05/03/95	05/03/95	05/03/95	05/04/95
Volatiles (µg/L)													
Chloromethane		ND 10	ND 10	ND 10	ND 10	ND 10	ND 10	ND 10	ND 10	ND 10	ND 10	ND 10	ND 10
Bromomethane		ND 10	ND 10	ND 10	ND 10	ND 10	ND 10	ND 10	ND 10	ND 10	ND 10	ND 10	ND 10
Vinyl Chloride		ND 10	ND 10	ND 10	ND 10	ND 10	ND 10	ND 10	ND 10	ND 10	ND 10	ND 10	ND 10
Chloroethane		ND 10	ND 10	ND 10	ND 10	ND 10	ND 10	ND 10	ND 10	ND 10	ND 10	ND 10	ND 10
Methylene Chloride		ND 10	ND 10	ND 10	ND 10	ND 10	ND 10	ND 10	ND 10	ND 10	ND 10	ND 10	ND 10
Acetone		ND 10	ND 10	ND 10	ND 10	ND 10	ND 10	ND 10	ND 10	ND 10	ND 10	ND 10	ND 10
Carbon Disulfide		ND 10	ND 10	ND 10	ND 10	ND 10	ND 10	ND 10	ND 10	ND 10	ND 10	ND 10	ND 10
1,1-Dichloroethene		ND 10	ND 10	ND 10	ND 10	ND 10	ND 10	ND 10	ND 10	ND 10	ND 10	ND 10	ND 10
1,1-Dichloroethane		ND 10	ND 10	ND 10	ND 10	ND 10	ND 10	ND 10	ND 10	ND 10	ND 10	ND 10	ND 10
1,2-Dichloroethene (total)		ND 10	ND 10	ND 10	ND 10	ND 10	ND 10	ND 10	ND 10	ND 10	ND 10	ND 10	ND 10
Chloroform		ND 10	ND 10	ND 10	ND 10	ND 10	ND 10	ND 10	ND 10	ND 10	ND 10	ND 10	ND 10
1,2-Dichloroethane		ND 10	ND 10	ND 10	ND 10	ND 10	ND 10	ND 10	ND 10	ND 10	ND 10	ND 10	ND 10
2-Butanone		ND 10	ND 10	ND 10	ND 10	ND 10	ND 10	ND 10	ND 10	ND 10	ND 10	ND 10	ND 10
1,1,1-Trichloroethane		ND 10	ND 10	ND 10	ND 10	ND 10	ND 10	ND 10	ND 10	ND 10	ND 10	ND 10	ND 10
Carbon Tetrachloride		ND 10	ND 10	ND 10	ND 10	ND 10	ND 10	ND 10	ND 10	ND 10	ND 10	ND 10	ND 10
Bromodichloromethane		ND 10	ND 10	ND 10	ND 10	ND 10	ND 10	ND 10	ND 10	ND 10	ND 10	ND 10	ND 10
1,2-Dichloropropane		ND 10	ND 10	ND 10	ND 10	ND 10	ND 10	ND 10	ND 10	ND 10	ND 10	ND 10	ND 10
cis-1,3-Dichloropropene		ND 10	ND 10	ND 10	ND 10	ND 10	ND 10	ND 10	ND 10	ND 10	ND 10	ND 10	ND 10
Trichloroethene		ND 10	ND 10	ND 10	ND 10	ND 10	ND 10	ND 10	ND 10	ND 10	ND 10	ND 10	ND 10
Dibromochloromethane		ND 10	ND 10	ND 10	ND 10	ND 10	ND 10	ND 10	ND 10	ND 10	ND 10	ND 10	ND 10
1,1,2-Trichloroethane		ND 10	ND 10	ND 10	ND 10	ND 10	ND 10	ND 10	ND 10	ND 10	ND 10	ND 10	ND 10
Benzene		ND 10	ND 10	ND 10	ND 10	ND 10	ND 10	ND 10	ND 10	ND 10	ND 10	ND 10	ND 10
Trans-1,3-Dichloropropene		ND 10	ND 10	ND 10	ND 10	ND 10	ND 10	ND 10	ND 10	ND 10	ND 10	ND 10	ND 10
Bromoform		ND 10	ND 10	ND 10	ND 10	ND 10	ND 10	ND 10	ND 10	ND 10	ND 10	ND 10	ND 10
4-Methyl-2-pentanone		ND 10	ND 10	ND 10	ND 10	ND 10	ND 10	ND 10	ND 10	ND 10	ND 10	ND 10	ND 10
2-Hexanone		ND 10	ND 10	ND 10	ND 10	ND 10	ND 10	ND 10	ND 10	ND 10	ND 10	ND 10	ND 10
Tetrachloroethene		ND 10	ND 10	ND 10	ND 10	ND 10	ND 10	ND 10	ND 10	ND 10	ND 10	ND 10	ND 10
1,1,2,2-Tetrachloroethane		ND 10	ND 10	ND 10	ND 10	ND 10	ND 10	ND 10	ND 10	ND 10	ND 10	ND 10	ND 10
Toluene		ND 10	ND 10	ND 10	ND 10	ND 10	ND 10	ND 10	ND 10	ND 10	ND 10	ND 10	ND 10
Chlorobenzene		ND 10	ND 10	ND 10	ND 10	ND 10	ND 10	ND 10	ND 10	ND 10	ND 10	ND 10	ND 10
Ethylbenzene		ND 10	ND 10	ND 10	ND 10	ND 10	ND 10	ND 10	ND 10	ND 10	ND 10	ND 10	ND 10
Styrene		ND 10	ND 10	ND 10	ND 10	ND 10	ND 10	ND 10	ND 10	ND 10	ND 10	ND 10	ND 10
Xylene (total)		ND 10	ND 10	ND 10	ND 10	ND 10	ND 10	ND 10	ND 10	ND 10	ND 10	ND 10	ND 10
Vinyl Acetate		ND 10	ND 10	ND 10	ND 10	ND 10	ND 10	ND 10	ND 10	ND 10	ND 10	ND 10	ND 10
2-Chloroethylvinylether		ND 10	ND 10	ND 10	ND 10	ND 10	ND 10	ND 10	ND 10	ND 10	ND 10	ND 10	ND 10

TABLE A.1

ANALYTICAL RESULTS SUMMARY
LONG-TERM MONITORING PROGRAM
OCCIDENTAL CHEMICAL CORPORATION
LOVE CANAL
MAY 1995

Sample ID:	7120	7130	7132	7155	7205	8210	9205	3257	12010	3151	7161	5222
Collection Date:	05/01/95	05/01/95	05/01/95	05/01/95	05/02/95	05/02/95	05/02/95	05/03/95	05/03/95	05/03/95	05/03/95	05/04/95
<i>Semi-Volatiles (µg/L)</i>												
Phenol	ND 10	ND 10	ND 10	ND 10	ND 10	ND 10	ND 10	ND 11	ND 10	ND 10	ND 10	ND 10
bis(2-Chloroethyl)ether	ND 10	ND 10	ND 10	ND 10	ND 10	ND 10	ND 10	ND 11	ND 10	ND 10	ND 10	ND 10
2-Chlorophenol	ND 10	ND 10	ND 10	ND 10	ND 10	ND 10	ND 10	ND 11	ND 10	ND 10	ND 10	ND 10
1,3-Dichlorobenzene	ND 10	ND 10	ND 10	ND 10	ND 10	ND 10	ND 10	ND 11	ND 10	ND 10	ND 10	ND 10
1,4-Dichlorobenzene	ND 10	ND 10	ND 10	ND 10	ND 10	ND 10	ND 10	ND 11	ND 10	ND 10	ND 10	ND 10
1,2-Dichlorobenzene	ND 10	ND 10	ND 10	ND 10	ND 10	ND 10	ND 10	ND 11	ND 10	ND 10	ND 10	ND 10
2-Methylphenol	ND 10	ND 10	ND 10	ND 10	ND 10	ND 10	ND 10	ND 11	ND 10	ND 10	ND 10	ND 10
2,2'-oxybis(1-Chloropropane)	ND 10	ND 10	ND 10	ND 10	ND 10	ND 10	ND 10	ND 11	ND 10	ND 10	ND 10	ND 10
4-Methylphenol	ND 10	ND 10	ND 10	ND 10	ND 10	ND 10	ND 10	ND 11	ND 10	ND 10	ND 10	ND 10
N-Nitroso-di-n-propylamine	ND 10	ND 10	ND 10	ND 10	ND 10	ND 10	ND 10	ND 11	ND 10	ND 10	ND 10	ND 10
Hexachloroethane	ND 10	ND 10	ND 10	ND 10	ND 10	ND 10	ND 10	ND 11	ND 10	ND 10	ND 10	ND 10
Nitrobenzene	ND 10	ND 10	ND 10	ND 10	ND 10	ND 10	ND 10	ND 11	ND 10	ND 10	ND 10	ND 10
Isophorone	ND 10	ND 10	ND 10	ND 10	ND 10	ND 10	ND 10	ND 11	ND 10	ND 10	ND 10	ND 10
2-Nitrophenol	ND 10	ND 10	ND 10	ND 10	ND 10	ND 10	ND 10	ND 11	ND 10	ND 10	ND 10	ND 10
2,4-Dimethylphenol	ND 10	ND 10	ND 10	ND 10	ND 10	ND 10	ND 10	ND 11	ND 10	ND 10	ND 10	ND 10
bis(2-Chloroethoxy)methane	ND 10	ND 10	ND 10	ND 10	ND 10	ND 10	ND 10	ND 11	ND 10	ND 10	ND 10	ND 10
2,4-Dichlorophenol	ND 10	ND 10	ND 10	ND 10	ND 10	ND 10	ND 10	ND 11	ND 10	ND 10	ND 10	ND 10
1,2,4-Trichlorobenzene	ND 10	ND 10	ND 10	ND 10	ND 10	ND 10	ND 10	ND 11	ND 10	ND 10	ND 10	ND 10
Naphthalene	ND 10	ND 10	ND 10	ND 10	ND 10	ND 10	ND 10	ND 11	ND 10	ND 10	ND 10	ND 10
4-Chloroaniline	ND 10	ND 10	ND 10	ND 10	ND 10	ND 10	ND 10	ND 11	ND 10	ND 10	ND 10	ND 10
Hexachlorobutadiene	ND 10	ND 10	ND 10	ND 10	ND 10	ND 10	ND 10	ND 11	ND 10	ND 10	ND 10	ND 10
4-Chloro-3-methylphenol	ND 10	ND 10	ND 10	ND 10	ND 10	ND 10	ND 10	ND 11	ND 10	ND 10	ND 10	ND 10
2-Methylnaphthalene	ND 10	ND 10	ND 10	ND 10	ND 10	ND 10	ND 10	ND 11	ND 10	ND 10	ND 10	ND 10
Hexachlorocyclopentadiene	ND 10	ND 10	ND 10	ND 10	ND 10	ND 10	ND 10	ND 11	ND 10	ND 10	ND 10	ND 10
2,4,6-Trichlorophenol	ND 10	ND 10	ND 10	ND 10	ND 10	ND 10	ND 10	ND 11	ND 10	ND 10	ND 10	ND 10
2,4,5-Trichlorophenol	ND 26	ND 26	ND 26	ND 26	ND 26	ND 26	ND 26	ND 26	ND 26	ND 26	ND 26	ND 26
2-Chloronaphthalene	ND 10	ND 10	ND 10	ND 10	ND 10	ND 10	ND 10	ND 11	ND 10	ND 10	ND 10	ND 10
2-Nitroaniline	ND 26	ND 26	ND 26	ND 26	ND 26	ND 26	ND 26	ND 26	ND 26	ND 26	ND 26	ND 26
Dimethylphthalate	ND 10	ND 10	ND 10	ND 10	ND 10	ND 10	ND 10	ND 11	ND 10	ND 10	ND 10	ND 10
Acenaphthylene	ND 10	ND 10	ND 10	ND 10	ND 10	ND 10	ND 10	ND 11	ND 10	ND 10	ND 10	ND 10
2,6-Dinitrotoluene	ND 10	ND 10	ND 10	ND 10	ND 10	ND 10	ND 10	ND 11	ND 10	ND 10	ND 10	ND 10
3-Nitroaniline	ND 26	ND 26	ND 26	ND 26	ND 26	ND 26	ND 26	ND 26	ND 26	ND 26	ND 26	ND 26
Acenaphthene	ND 10	ND 10	ND 10	ND 10	ND 10	ND 10	ND 10	ND 11	ND 10	ND 10	ND 10	ND 10
2,4-Dinitrophenol	ND 26	ND 26	ND 26	ND 26	ND 26	ND 26	ND 26	ND 26	ND 26	ND 26	ND 26	ND 26
4-Nitrophenol	ND 26	ND 26	ND 26	ND 26	ND 26	ND 26	ND 26	ND 26	ND 26	ND 26	ND 26	ND 26
Dibenzofuran	ND 10	ND 10	ND 10	ND 10	ND 10	ND 10	ND 10	ND 11	ND 10	ND 10	ND 10	ND 10
2,4-Dinitrotoluene	ND 10	ND 10	ND 10	ND 10	ND 10	ND 10	ND 10	ND 11	ND 10	ND 10	ND 10	ND 10
Diethylphthalate	ND 10	ND 10	ND 10	ND 10	ND 10	ND 10	ND 10	ND 11	ND 10	ND 10	ND 10	ND 10
4-Chlorophenyl-phenylether	ND 10	ND 10	ND 10	ND 10	ND 10	ND 10	ND 10	ND 11	ND 10	ND 10	ND 10	ND 10

TABLE A.1

ANALYTICAL RESULTS SUMMARY
LONG-TERM MONITORING PROGRAM
OCCIDENTAL CHEMICAL CORPORATION
LOVE CANAL
MAY 1995

Sample ID:	7120	7130	7132	7155	7205	8210	9205	3257	12010	3151	7161	5222
Collection Date:	05/01/95	05/01/95	05/01/95	05/01/95	05/02/95	05/02/95	05/02/95	05/03/95	Dup. of 3257 05/03/95	05/03/95	05/03/95	05/04/95
Semi-Volatiles (µg/L)												
Fluorene	ND 10	ND 10	ND 10	ND 10	ND 10	ND 10	ND 10	ND 11	ND 10	ND 10	ND 10	ND 10
4-Nitroaniline	ND 26	ND 26	ND 26	ND 26	ND 26	ND 26	ND 26	ND 26	ND 26	ND 26	ND 26	ND 26
4,6-Dinitro-2-methylphenol	ND 26	ND 26	ND 26	ND 26	ND 26	ND 26	ND 26	ND 26	ND 26	ND 26	ND 26	ND 26
N-Nitrosodiphenylamine (1)	ND 10	ND 10	ND 10	ND 10	ND 10	ND 10	ND 10	ND 11	ND 10	ND 10	ND 10	ND 10
4-Bromophenyl-phenylether	ND 10	ND 10	ND 10	ND 10	ND 10	ND 10	ND 10	ND 11	ND 10	ND 10	ND 10	ND 10
Hexachlorobenzene	ND 10	ND 10	ND 10	ND 10	ND 10	ND 10	ND 10	ND 11	ND 10	ND 10	ND 10	ND 10
Pentachlorophenol	ND 26	ND 26	ND 26	ND 26	ND 26	ND 26	ND 26	ND 26	ND 26	ND 26	ND 26	ND 26
Phenanthrene	ND 10	ND 10	ND 10	ND 10	ND 10	ND 10	ND 10	ND 11	ND 10	ND 10	ND 10	ND 10
Anthracene	ND 10	ND 10	ND 10	ND 10	ND 10	ND 10	ND 10	ND 11	ND 10	ND 10	ND 10	ND 10
Di-n-butylphthalate	ND 10	ND 10	ND 10	ND 10	ND 10	ND 10	ND 10	ND 11	ND 10	ND 10	ND 10	ND 10
Fluoranthene	ND 10	ND 10	ND 10	ND 10	ND 10	ND 10	ND 10	ND 11	ND 10	ND 10	ND 10	ND 10
Pyrene	ND 10	ND 10	ND 10	ND 10	ND 10	ND 10	ND 10	ND 11	ND 10	ND 10	ND 10	ND 10
Butylbenzylphthalate	ND 10	ND 10	ND 10	ND 10	ND 10	ND 10	ND 10	ND 11	ND 10	ND 10	ND 10	ND 10
3,3'-Dichlorobenzidine	ND 10	ND 10	ND 10	ND 10	ND 10	ND 10	ND 10	ND 11	ND 10	ND 10	ND 10	ND 10
Benzo(a)anthracene	ND 10	ND 10	ND 10	ND 10	ND 10	ND 10	ND 10	ND 11	ND 10	ND 10	ND 10	ND 10
Chrysene	ND 10	ND 10	ND 10	ND 10	ND 10	ND 10	ND 10	ND 11	ND 10	ND 10	ND 10	ND 10
bis(2-Ethylhexyl)phthalate	ND 10	51	ND 10	46	40	ND 10	20	11	13	44	ND 10	59
Di-n-octyl phthalate	ND 10	ND 10	ND 10	ND 10	ND 10	ND 10	ND 10	ND 11	ND 10	ND 10	ND 10	ND 10
Benzo(b)fluoranthene	ND 10	ND 10	ND 10	ND 10	ND 10	ND 10	ND 10	ND 11	ND 10	ND 10	ND 10	ND 10
Benzo(k)fluoranthene	ND 10	ND 10	ND 10	ND 10	ND 10	ND 10	ND 10	ND 11	ND 10	ND 10	ND 10	ND 10
Benzo(a)pyrene	ND 10	ND 10	ND 10	ND 10	ND 10	ND 10	ND 10	ND 11	ND 10	ND 10	ND 10	ND 10
Indeno(1,2,3-cd)pyrene	ND 10	ND 10	ND 10	ND 10	ND 10	ND 10	ND 10	ND 11	ND 10	ND 10	ND 10	ND 10
Dibenz(a,h)anthracene	ND 10	ND 10	ND 10	ND 10	ND 10	ND 10	ND 10	ND 11	ND 10	ND 10	ND 10	ND 10
Benzo(g,h,i)perylene	ND 10	ND 10	ND 10	ND 10	ND 10	ND 10	ND 10	ND 11	ND 10	ND 10	ND 10	ND 10
Benzyli alcohol	ND 10	ND 10	ND 10	ND 10	ND 10	ND 10	ND 10	ND 11	ND 10	ND 10	ND 10	ND 10
Benzoic acid	ND 51	ND 52	ND 52	ND 52	ND 51	ND 52	ND 52	ND 53	ND 51	ND 51	ND 51	ND 51

TABLE A.1
ANALYTICAL RESULTS SUMMARY
LONG-TERM MONITORING PROGRAM
OCCIDENTAL CHEMICAL CORPORATION
LOVE CANAL
MAY 1995

	Sample ID:	7120	7130	7132	7155	7205	8210	9205	3257	12010	3151	7161	5222
	Collection Date:	05/01/95	05/01/95	05/01/95	05/01/95	05/02/95	05/02/95	05/02/95	05/03/95	05/03/95	05/03/95	05/03/95	05/04/95
										Dup. of 3257			
										05/03/95			
<i>Pesticides/PCBs (µg/L)</i>													
Alpha-BHC		ND 0.050	ND 0.052	ND 0.052	ND 0.050	ND 0.050	ND 0.051	ND 0.052	ND 0.050	ND 0.050	ND 0.050	ND 0.050	0.061
Beta-BHC		ND 0.050	ND 0.052	ND 0.052	ND 0.050	ND 0.050	ND 0.051	ND 0.052	ND 0.050	ND 0.050	ND 0.050	ND 0.050	ND 0.050
Delta-BHC		ND 0.050	ND 0.052	ND 0.052	ND 0.050	ND 0.050	ND 0.051	ND 0.052	ND 0.050	ND 0.050	ND 0.050	ND 0.050	ND 0.050
gamma-BHC (Lindane)		ND 0.050	ND 0.052	ND 0.052	ND 0.050	ND 0.050	ND 0.051	ND 0.052	ND 0.050	ND 0.050	ND 0.050	ND 0.050	ND 0.050
Heptachlor		ND 0.050	ND 0.052	ND 0.052	ND 0.050	ND 0.050	ND 0.051	ND 0.052	ND 0.050	ND 0.050	ND 0.050	ND 0.050	ND 0.050
Aldrin		ND 0.050	ND 0.052	ND 0.052	ND 0.050	ND 0.050	ND 0.051	ND 0.052	ND 0.050	ND 0.050	ND 0.050	ND 0.050	ND 0.050
Heptachlor epoxide		ND 0.050	ND 0.052	ND 0.052	ND 0.050	ND 0.050	ND 0.051	ND 0.052	ND 0.050	ND 0.050	ND 0.050	ND 0.050	ND 0.050
Endosulfan I		ND 0.050	ND 0.052	ND 0.052	ND 0.050	ND 0.050	ND 0.051	ND 0.052	ND 0.050	ND 0.050	ND 0.050	ND 0.050	ND 0.050
Dieldrin		ND 0.10	ND 0.10	ND 0.10	ND 0.10	ND 0.10	ND 0.10	ND 0.10	ND 0.10	ND 0.10	ND 0.10	ND 0.10	ND 0.10
4,4'-DDE		ND 0.10	ND 0.10	ND 0.10	ND 0.10	ND 0.10	ND 0.10	ND 0.10	ND 0.10	ND 0.10	ND 0.10	ND 0.10	ND 0.10
Endrin		ND 0.10	ND 0.10	ND 0.10	ND 0.10	ND 0.10	ND 0.10	ND 0.10	ND 0.10	ND 0.10	ND 0.10	ND 0.10	ND 0.10
Endosulfan II		ND 0.10	ND 0.10	ND 0.10	ND 0.10	ND 0.10	ND 0.10	ND 0.10	ND 0.10	ND 0.10	ND 0.10	ND 0.10	ND 0.10
4,4'-DDD		ND 0.10	ND 0.10	ND 0.10	ND 0.10	ND 0.10	ND 0.10	ND 0.10	ND 0.10	ND 0.10	ND 0.10	ND 0.10	ND 0.10
Endosulfan sulfate		ND 0.10	ND 0.10	ND 0.10	ND 0.10	ND 0.10	ND 0.10	ND 0.10	ND 0.10	ND 0.10	ND 0.10	ND 0.10	ND 0.10
4,4'-DDT		ND 0.10	ND 0.10	ND 0.10	ND 0.10	ND 0.10	ND 0.10	ND 0.10	ND 0.10	ND 0.10	ND 0.10	ND 0.10	ND 0.10
Methoxychlor		ND 0.50	ND 0.52	ND 0.52	ND 0.50	ND 0.50	ND 0.51	ND 0.52	ND 0.50	ND 0.50	ND 0.50	ND 0.50	ND 0.50
Endrin ketone		ND 0.10	ND 0.10	ND 0.10	ND 0.10	ND 0.10	ND 0.10	ND 0.10	ND 0.10	ND 0.10	ND 0.10	ND 0.10	ND 0.10
alpha-Chlordane		ND 0.050	ND 0.052	ND 0.052	ND 0.050	ND 0.050	ND 0.051	ND 0.052	ND 0.050	ND 0.050	ND 0.050	ND 0.050	ND 0.050
gamma-Chlordane		ND 0.050	ND 0.052	ND 0.052	ND 0.050	ND 0.050	ND 0.051	ND 0.052	ND 0.050	ND 0.050	ND 0.050	ND 0.050	ND 0.050
Toxaphene		ND 5.0	ND 5.2	ND 5.2	ND 5.0	ND 5.0	ND 5.1	ND 5.2	ND 5.0	ND 5.0	ND 5.0	ND 5.0	ND 5.0
Aroclor-1016		ND 1.0	ND 1.0	ND 1.0	ND 1.0	ND 1.0	ND 1.0	ND 1.0	ND 1.0	ND 1.0	ND 1.0	ND 1.0	ND 1.0
Aroclor-1221		ND 2.0	ND 2.1	ND 2.1	ND 2.0	ND 2.0	ND 2.0	ND 2.1	ND 2.0	ND 2.0	ND 2.0	ND 2.0	ND 2.0
Aroclor-1232		ND 1.0	ND 1.0	ND 1.0	ND 1.0	ND 1.0	ND 1.0	ND 1.0	ND 1.0	ND 1.0	ND 1.0	ND 1.0	ND 1.0
Aroclor-1242		ND 1.0	ND 1.0	ND 1.0	ND 1.0	ND 1.0	ND 1.0	ND 1.0	ND 1.0	ND 1.0	ND 1.0	ND 1.0	ND 1.0
Aroclor-1248		ND 1.0	ND 1.0	ND 1.0	ND 1.0	ND 1.0	ND 1.0	ND 1.0	ND 1.0	ND 1.0	ND 1.0	ND 1.0	ND 1.0
Aroclor-1254		ND 1.0	ND 1.0	ND 1.0	ND 1.0	ND 1.0	ND 1.0	ND 1.0	ND 1.0	ND 1.0	ND 1.0	ND 1.0	ND 1.0
Aroclor-1260		ND 1.0	ND 1.0	ND 1.0	ND 1.0	ND 1.0	ND 1.0	ND 1.0	ND 1.0	ND 1.0	ND 1.0	ND 1.0	ND 1.0

Notes:
 ND Non-detect at or above the associated value.
 J Associated value is estimated.
 D Associated value is from a dilution.

TABLE A.1

ANALYTICAL RESULTS SUMMARY
LONG-TERM MONITORING PROGRAM
OCCIDENTAL CHEMICAL CORPORATION
LOVE CANAL
MAY 1995

Sample ID:	8110	8120	8130	8140	9110	9115	9118	10272	12015	10278	9120	9125
Collection Date:	05/04/95	05/04/95	05/05/95	05/05/95	05/05/95	05/08/95	05/08/95	05/08/95	Dup. of 9115 05/08/95	05/09/95	05/12/95	05/12/95
Volatiles (ug/L)												
Chloromethane	ND 10	ND 10	ND 10	ND 10	ND 10	ND 10	ND 10	ND 10	ND 10	ND 10	ND 10	ND 10
Bromomethane	ND 10	ND 10	ND 10	ND 10	ND 10	ND 10	ND 10	ND 10	ND 10	ND 10	ND 10	ND 10
Vinyl Chloride	ND 10	ND 10	ND 10	ND 10	ND 10	ND 10	ND 10	ND 10	ND 10	ND 10	ND 10	ND 10
Chloroethane	ND 10	ND 10	ND 10	ND 10	ND 10	ND 10	ND 10	ND 10	ND 10	ND 10	ND 10	ND 10
Methylene Chloride	ND 10	ND 10	ND 10	ND 10	ND 10	ND 10	ND 10	ND 10	ND 10	ND 10	ND 10	ND 10
Acetone	ND 10	ND 10	ND 10	ND 10	ND 10	ND 10	ND 10	ND 10	ND 10	ND 31	ND 10	ND 10
Carbon Disulfide	ND 10	ND 10	ND 10	ND 10	ND 10	ND 10	ND 10	ND 10	ND 10	ND 10	ND 10	ND 10
1,1-Dichloroethene	ND 10	ND 10	ND 10	ND 10	ND 10	ND 10	ND 10	ND 10	ND 10	ND 10	ND 10	ND 10
1,1-Dichloroethane	ND 10	ND 10	ND 10	ND 10	ND 10	ND 10	ND 10	ND 10	ND 10	ND 10	ND 10	ND 10
1,2-Dichloroethene (total)	ND 10	ND 10	ND 10	ND 10	ND 10	ND 10	ND 10	ND 10	ND 10	ND 10	ND 10	ND 10
Chloroform	ND 10	ND 10	ND 10	ND 10	ND 10	ND 10	ND 10	ND 10	ND 10	ND 10	ND 10	ND 10
1,2-Dichloroethane	ND 10	ND 10	ND 10	ND 10	ND 10	ND 10	ND 10	ND 10	ND 10	ND 10	ND 10	ND 10
2-Butanone	ND 10	ND 10	ND 10	ND 10	ND 10	ND 10	ND 10	ND 10	ND 10	ND 10	ND 10	ND 10
1,1,1-Trichloroethane	ND 10	ND 10	ND 10	ND 10	ND 10	ND 10	ND 10	ND 10	ND 10	ND 10	ND 10	ND 10
Carbon Tetrachloride	ND 10	ND 10	ND 10	ND 10	ND 10	ND 10	ND 10	ND 10	ND 10	ND 10	ND 10	ND 10
Bromodichloromethane	ND 10	ND 10	ND 10	ND 10	ND 10	ND 10	ND 10	ND 10	ND 10	ND 10	ND 10	ND 10
1,2-Dichloropropane	ND 10	ND 10	ND 10	ND 10	ND 10	ND 10	ND 10	ND 10	ND 10	ND 10	ND 10	ND 10
cis-1,3-Dichloropropene	ND 10	ND 10	ND 10	ND 10	ND 10	ND 10	ND 10	ND 10	ND 10	ND 10	ND 10	ND 10
Trichloroethene	ND 10	ND 10	ND 10	ND 10	ND 10	ND 10	ND 10	ND 10	ND 10	ND 10	ND 10	ND 10
Dibromochloromethane	ND 10	ND 10	ND 10	ND 10	ND 10	ND 10	ND 10	ND 10	ND 10	ND 10	ND 10	ND 10
1,1,2-Trichloroethane	ND 10	ND 10	ND 10	ND 10	ND 10	ND 10	ND 10	ND 10	ND 10	ND 10	ND 10	ND 10
Benzene	ND 10	ND 10	ND 10	ND 10	ND 10	ND 10	ND 10	ND 10	ND 10	ND 10	ND 10	ND 10
Trans-1,3-Dichloropropene	ND 10	ND 10	ND 10	ND 10	ND 10	ND 10	ND 10	ND 10	ND 10	ND 10	ND 10	ND 10
Bromoform	ND 10	ND 10	ND 10	ND 10	ND 10	ND 10	ND 10	ND 10	ND 10	ND 10	ND 10	ND 10
4-Methyl-2-pentanone	ND 10	ND 10	ND 10	ND 10	ND 10	ND 10	ND 10	ND 10	ND 10	ND 10	ND 10	ND 10
2-Hexanone	ND 10	ND 10	ND 10	ND 10	ND 10	ND 10	ND 10	ND 10	ND 10	ND 10	ND 10	ND 10
Tetrachloroethene	ND 10	ND 10	ND 10	ND 10	ND 10	ND 10	ND 10	ND 10	ND 10	ND 10	ND 10	ND 10
1,1,2,2-Tetrachloroethane	ND 10	ND 10	ND 10	ND 10	ND 10	ND 10	ND 10	ND 10	ND 10	ND 10	ND 10	ND 10
Toluene	ND 10	ND 10	ND 10	ND 10	ND 10	ND 10	ND 10	ND 10	ND 10	ND 10	ND 10	ND 10
Chlorobenzene	ND 10	ND 10	ND 10	ND 10	ND 10	ND 10	ND 10	ND 10	ND 10	ND 10	ND 10	ND 10
Ethylbenzene	ND 10	ND 10	ND 10	ND 10	ND 10	ND 10	ND 10	ND 10	ND 10	ND 10	ND 10	ND 10
Styrene	ND 10	ND 10	ND 10	ND 10	ND 10	ND 10	ND 10	ND 10	ND 10	ND 10	ND 10	ND 10
Xylene (total)	ND 10	ND 10	ND 10	ND 10	ND 10	ND 10	ND 10	ND 10	ND 10	ND 10	ND 10	ND 10
Vinyl Acetate	ND 10	ND 10	ND 10	ND 10	ND 10	ND 10	ND 10	ND 10	ND 10	ND 10	ND 10	ND 10
2-Chloroethylvinylether	ND 10	ND 10	ND 10	ND 10	ND 10	ND 10	ND 10	ND 10	ND 10	ND 10	ND 10	ND 10

TABLE A.1

ANALYTICAL RESULTS SUMMARY
LONG-TERM MONITORING PROGRAM
OCCIDENTAL CHEMICAL CORPORATION
LOVE CANAL
MAY 1995

Sample ID:	8110	8120	8130	8140	9110	9115	9118	10272	12015	10278	9120	9125
Collection Date:	05/04/95	05/04/95	05/05/95	05/05/95	05/05/95	05/08/95	05/08/95	05/08/95	Dup. of 9115 05/08/95	05/09/95	05/12/95	05/12/95
Semi-Volatiles (µg/L)												
Phenol	ND 10	ND 10	ND 10	ND 10	ND 10	ND 10	ND 10	ND 10	ND 10	ND 10	ND 10	ND 10
bis(2-Chloroethyl)ether	ND 10	ND 10	ND 10	ND 10	ND 10	ND 10	ND 10	ND 10	ND 10	ND 10	ND 10	ND 10
2-Chlorophenol	ND 10	ND 10	ND 10	ND 10	ND 10	ND 10	ND 10	ND 10	ND 10	ND 10	ND 10	ND 10
1,3-Dichlorobenzene	ND 10	ND 10	ND 10	ND 10	ND 10	ND 10	ND 10	ND 10	ND 10	ND 10	ND 10	ND 10
1,4-Dichlorobenzene	ND 10	ND 10	ND 10	ND 10	ND 10	ND 10	ND 10	ND 10	ND 10	ND 10	ND 10	ND 10
1,2-Dichlorobenzene	ND 10	ND 10	ND 10	ND 10	ND 10	ND 10	ND 10	ND 10	ND 10	ND 10	ND 10	ND 10
2-Methylphenol	ND 10	ND 10	ND 10	ND 10	ND 10	ND 10	ND 10	ND 10	ND 10	ND 10	ND 10	ND 10
2,2'-oxybis(1-Chloropropane)	ND 10	ND 10	ND 10	ND 10	ND 10	ND 10	ND 10	ND 10	ND 10	ND 10	ND 10	ND 10
4-Methylphenol	ND 10	ND 10	ND 10	ND 10	ND 10	ND 10	ND 10	ND 10	ND 10	ND 10	ND 10	ND 10
N-Nitroso-di-n-propylamine	ND 10	ND 10	ND 10	ND 10	ND 10	ND 10	ND 10	ND 10	ND 10	ND 10	ND 10	ND 10
Hexachloroethane	ND 10	ND 10	ND 10	ND 10	ND 10	ND 10	ND 10	ND 10	ND 10	ND 10	ND 10	ND 10
Nitrobenzene	ND 10	ND 10	ND 10	ND 10	ND 10	ND 10	ND 10	ND 10	ND 10	ND 10	ND 10	ND 10
Isophorone	ND 10	ND 10	ND 10	ND 10	ND 10	ND 10	ND 10	ND 10	ND 10	ND 10	ND 10	ND 10
2-Nitrophenol	ND 10	ND 10	ND 10	ND 10	ND 10	ND 10	ND 10	ND 10	ND 10	ND 10	ND 10	ND 10
2,4-Dimethylphenol	ND 10	ND 10	ND 10	ND 10	ND 10	ND 10	ND 10	ND 10	ND 10	ND 10	ND 10	ND 10
bis(2-Chloroethoxy)methane	ND 10	ND 10	ND 10	ND 10	ND 10	ND 10	ND 10	ND 10	ND 10	ND 10	ND 10	ND 10
2,4-Dichlorophenol	ND 10	ND 10	ND 10	ND 10	ND 10	ND 10	ND 10	ND 10	ND 10	ND 10	ND 10	ND 10
1,2,4-Trichlorobenzene	ND 10	ND 10	ND 10	ND 10	ND 10	ND 10	ND 10	ND 10	ND 10	ND 10	ND 10	ND 10
Naphthalene	ND 10	ND 10	ND 10	ND 10	ND 10	ND 10	ND 10	ND 10	ND 10	ND 10	ND 10	ND 10
4-Chloroaniline	ND 10	ND 10	ND 10	ND 10	ND 10	ND 10	ND 10	ND 10	ND 10	ND 10	ND 10	ND 10
Hexachlorobutadiene	ND 10	ND 10	ND 10	ND 10	ND 10	ND 10	ND 10	ND 10	ND 10	ND 10	ND 10	ND 10
4-Chloro-3-methylphenol	ND 10	ND 10	ND 10	ND 10	ND 10	ND 10	ND 10	ND 10	ND 10	ND 10	ND 10	ND 10
2-Methylnaphthalene	ND 10	ND 10	ND 10	ND 10	ND 10	ND 10	ND 10	ND 10	ND 10	ND 10	ND 10	ND 10
Hexachlorocyclopentadiene	ND 10	ND 10	ND 10	ND 10	ND 10	ND 10	ND 10	ND 10	ND 10	ND 10	ND 10	ND 10
2,4,6-Trichlorophenol	ND 10	ND 10	ND 10	ND 10	ND 10	ND 10	ND 10	ND 10	ND 10	ND 10	ND 10	ND 10
2,4,5-Trichlorophenol	ND 26	ND 26	ND 26	ND 26	ND 26	ND 25	ND 26	ND 26	ND 25	ND 25	ND 26	ND 26
2-Chloronaphthalene	ND 10	ND 10	ND 10	ND 10	ND 10	ND 10	ND 10	ND 10	ND 10	ND 10	ND 10	ND 10
2-Nitroaniline	ND 26	ND 26	ND 26	ND 26	ND 26	ND 25	ND 26	ND 26	ND 25	ND 25	ND 26	ND 26
Dimethylphthalate	ND 10	ND 10	ND 10	ND 10	ND 10	ND 10	ND 10	ND 10	ND 10	ND 10	ND 10	ND 10
Acenaphthylene	ND 10	ND 10	ND 10	ND 10	ND 10	ND 10	ND 10	ND 10	ND 10	ND 10	ND 10	ND 10
2,6-Dinitrotoluene	ND 10	ND 10	ND 10	ND 10	ND 10	ND 10	ND 10	ND 10	ND 10	ND 10	ND 10	ND 10
3-Nitroaniline	ND 26	ND 26	ND 26	ND 26	ND 26	ND 25	ND 26	ND 26	ND 25	ND 25	ND 26	ND 26
Acenaphthene	ND 10	ND 10	ND 10	ND 10	ND 10	ND 10	ND 10	ND 10	ND 10	ND 10	ND 10	ND 10
2,4-Dinitrophenol	ND 26	ND 26	ND 26	ND 26	ND 26	ND 25	ND 26	ND 26	ND 25	ND 25	ND 26	ND 26
4-Nitrophenol	ND 26	ND 26	ND 26	ND 26	ND 26	ND 25	ND 26	ND 26	ND 25	ND 25	ND 26	ND 26
Dibenzofuran	ND 10	ND 10	ND 10	ND 10	ND 10	ND 10	ND 10	ND 10	ND 10	ND 10	ND 10	ND 10
2,4-Dinitrotoluene	ND 10	ND 10	ND 10	ND 10	ND 10	ND 10	ND 10	ND 10	ND 10	ND 10	ND 10	ND 10
Diethylphthalate	ND 10	ND 10	ND 10	ND 10	ND 10	ND 10	ND 10	ND 10	ND 10	ND 10	ND 10	ND 10
4-Chlorophenyl-phenylether	ND 10	ND 10	ND 10	ND 10	ND 10	ND 10	ND 10	ND 10	ND 10	ND 10	ND 10	ND 10

TABLE A.1

ANALYTICAL RESULTS SUMMARY
LONG -TERM MONITORING PROGRAM
OCCIDENTAL CHEMICAL CORPORATION
LOVE CANAL
MAY 1995

Sample ID:	8110	8120	8130	8140	9110	9115	9118	10272	12015 <i>Dup. of 9115</i>	10278	9120	9125
Collection Date:	05/04/95	05/04/95	05/05/95	05/05/95	05/05/95	05/08/95	05/08/95	05/08/95	05/08/95	05/09/95	05/12/95	05/12/95
Semi-Volatiles (µg/L)												
Fluorene	ND 10	ND 10	ND 10	ND 10	ND 10	ND 10	ND 10	ND 10	ND 10	ND 10	ND 10	ND 10
4-Nitroaniline	ND 26	ND 26	ND 26	ND 26	ND 26	ND 25	ND 26	ND 26	ND 25	ND 25	ND 26	ND 26
4,6-Dinitro-2-methylphenol	ND 26	ND 26	ND 26	ND 26	ND 26	ND 25	ND 26	ND 26	ND 25	ND 25	ND 26	ND 26
N-Nitrosodiphenylamine (1)	ND 10	ND 10	ND 10	ND 10	ND 10	ND 10	ND 10	ND 10	ND 10	ND 10	ND 10	ND 10
4-Bromophenyl-phenylether	ND 10	ND 10	ND 10	ND 10	ND 10	ND 10	ND 10	ND 10	ND 10	ND 10	ND 10	ND 10
Hexachlorobenzene	ND 10	ND 10	ND 10	ND 10	ND 10	ND 10	ND 10	ND 10	ND 10	ND 10	ND 10	ND 10
Pentachlorophenol	ND 26	ND 26	ND 26	ND 26	ND 26	ND 25	ND 26	ND 26	ND 25	ND 25	ND 26	ND 26
Phenanthrene	ND 10	ND 10	ND 10	ND 10	ND 10	ND 10	ND 10	ND 10	ND 10	ND 10	ND 10	ND 10
Anthracene	ND 10	ND 10	ND 10	ND 10	ND 10	ND 10	ND 10	ND 10	ND 10	ND 10	ND 10	ND 10
Di-n-butylphthalate	ND 10	ND 10	ND 10	ND 10	ND 10	ND 10	ND 10	ND 10	ND 10	ND 10	ND 10	ND 10
Fluoranthene	ND 10	ND 10	ND 10	ND 10	ND 10	ND 10	ND 10	ND 10	ND 10	ND 10	ND 10	ND 10
Pyrene	ND 10	ND 10	ND 10	ND 10	ND 10	ND 10	ND 10	ND 10	ND 10	ND 10	ND 10	ND 10
Butylbenzylphthalate	ND 10	ND 10	ND 10	ND 10	ND 10	ND 10	ND 10	ND 10	ND 10	ND 10	ND 10	ND 10
3,3'-Dichlorobenzidine	ND 10	ND 10	ND 10	ND 10	ND 10	ND 10	ND 10	ND 10	ND 10	ND 10	ND 10	ND 10
Benzo(a)anthracene	ND 10	ND 10	ND 10	ND 10	ND 10	ND 10	ND 10	ND 10	ND 10	ND 10	ND 10	ND 10
Chrysene	ND 10	ND 10	ND 10	ND 10	ND 10	ND 10	ND 10	ND 10	ND 10	ND 10	ND 10	ND 10
bis(2-Ethylhexyl)phthalate	ND 10	ND 10	24	32	ND 10	12	150D	200D	ND 10	ND 10	ND 36	ND 10
Di-n-octyl phthalate	ND 10	ND 10	ND 10	ND 10	ND 10	ND 10	ND 10	ND 10	ND 10	ND 10	ND 10	ND 10
Benzo(b)fluoranthene	ND 10	ND 10	ND 10	ND 10	ND 10	ND 10	ND 10	ND 10	ND 10	ND 10	ND 10	ND 10
Benzo(k)fluoranthene	ND 10	ND 10	ND 10	ND 10	ND 10	ND 10	ND 10	ND 10	ND 10	ND 10	ND 10	ND 10
Benzo(a)pyrene	ND 10	ND 10	ND 10	ND 10	ND 10	ND 10	ND 10	ND 10	ND 10	ND 10	ND 10	ND 10
Indeno(1,2,3-cd)pyrene	ND 10	ND 10	ND 10	ND 10	ND 10	ND 10	ND 10	ND 10	ND 10	ND 10	ND 10	ND 10
Dibenz(a,h)anthracene	ND 10	ND 10	ND 10	ND 10	ND 10	ND 10	ND 10	ND 10	ND 10	ND 10	ND 10	ND 10
Benzo(g,h,i)perylene	ND 10	ND 10	ND 10	ND 10	ND 10	ND 10	ND 10	ND 10	ND 10	ND 10	ND 10	ND 10
Benzy alcohol	ND 10	ND 10	ND 10	ND 10	ND 10	ND 10	ND 10	ND 10	ND 10	ND 10	ND 10	ND 10
Benzoic acid	ND 51	ND 51	ND 52	ND 52	ND 51	ND 50	ND 51	ND 51	ND 50	ND 50	ND 51	ND 51

TABLE A.1

ANALYTICAL RESULTS SUMMARY
 LONG-TERM MONITORING PROGRAM
 OCCIDENTAL CHEMICAL CORPORATION
 LOVE CANAL
 MAY 1995

	8110	8120	8130	8140	9110	9115	9118	10272	12015	10278	9120	9125
Sample ID:	05/04/95	05/04/95	05/05/95	05/05/95	05/05/95	05/08/95	05/08/95	05/08/95	Dup. of 9115 05/08/95	05/09/95	05/12/95	05/12/95
Pesticides/PCBs (µg/L)												
Alpha-BHC	ND 0.050	ND 0.050	ND 0.050	ND 0.050	ND 0.050	ND 0.50	ND 0.050	ND 0.05	ND 0.50	ND 0.051	ND 0.050	ND 0.050
Beta-BHC	ND 0.050	ND 0.050	ND 0.050	ND 0.050	ND 0.050	ND 0.50	ND 0.050	ND 0.05	ND 0.50	ND 0.051	ND 0.050	ND 0.050
Delta-BHC	ND 0.050	ND 0.050	ND 0.050	ND 0.050	ND 0.050	ND 0.50	ND 0.050	ND 0.05	ND 0.50	ND 0.051	ND 0.050	ND 0.050
gamma-BHC (Lindane)	ND 0.050	ND 0.050	ND 0.050	ND 0.050	ND 0.050	ND 0.50	ND 0.050	ND 0.05	ND 0.50	ND 0.051	ND 0.050	ND 0.050
Heptachlor	ND 0.050	ND 0.050	ND 0.050	ND 0.050	ND 0.050	ND 0.50	ND 0.050	ND 0.05	ND 0.50	ND 0.051	ND 0.050	ND 0.050
Aldrin	ND 0.050	ND 0.050	ND 0.050	ND 0.050	ND 0.050	ND 0.50	ND 0.050	ND 0.05	ND 0.50	ND 0.051	ND 0.050	ND 0.050
Heptachlor epoxide	ND 0.050	ND 0.050	ND 0.050	ND 0.050	ND 0.050	ND 0.50	ND 0.050	ND 0.05	ND 0.50	ND 0.051	ND 0.050	ND 0.050
Endosulfan I	ND 0.050	ND 0.050	ND 0.050	ND 0.050	ND 0.050	ND 0.50	ND 0.050	ND 0.05	ND 0.50	ND 0.051	ND 0.050	ND 0.050
Dieldrin	ND 0.10	ND 0.10	ND 0.10	ND 0.10	ND 0.10	ND 0.10	ND 0.10	ND 0.10	ND 1.0	ND 0.10	ND 0.10	ND 0.10
4,4'-DDE	ND 0.10	ND 0.10	ND 0.10	ND 0.10	ND 0.10	ND 0.10	ND 0.10	ND 0.10	ND 1.0	ND 0.10	ND 0.10	ND 0.10
Endrin	ND 0.10	ND 0.10	ND 0.10	ND 0.10	ND 0.10	ND 0.10	ND 0.10	ND 0.10	ND 1.0	ND 0.10	ND 0.10	ND 0.10
Endosulfan II	ND 0.10	ND 0.10	ND 0.10	ND 0.10	ND 0.10	ND 0.10	ND 0.10	ND 0.10	ND 1.0	ND 0.10	ND 0.10	ND 0.10
4,4'-DDD	ND 0.10	ND 0.10	ND 0.10	ND 0.10	ND 0.10	ND 0.10	ND 0.10	ND 0.10	ND 1.0	ND 0.10	ND 0.10	ND 0.10
Endosulfan sulfate	ND 0.10	ND 0.10	ND 0.10	ND 0.10	ND 0.10	ND 0.10	ND 0.10	ND 0.10	ND 1.0	ND 0.10	ND 0.10	ND 0.10
4,4'-DDT	ND 0.10	ND 0.10	ND 0.10	ND 0.10	ND 0.10	ND 0.10	ND 0.10	ND 0.10	ND 1.0	ND 0.10	ND 0.10	ND 0.10
Methoxychlor	ND 0.50	ND 0.50	ND 0.50	ND 0.50	ND 0.50	ND 0.50	ND 0.50	ND 0.51	ND 0.50	ND 0.51	ND 0.50	ND 0.50
Endrin ketone	ND 0.10	ND 0.10	ND 0.10	ND 0.10	ND 0.10	ND 0.10	ND 0.10	ND 0.10	ND 0.10	ND 0.10	ND 0.10	ND 0.10
alpha-Chlordane	ND 0.050	ND 0.050	ND 0.050	ND 0.050	ND 0.050	ND 0.050	ND 0.050	ND 0.05	ND 0.50	ND 0.051	ND 0.050	ND 0.050
gamma-Chlordane	ND 0.050	ND 0.050	ND 0.050	ND 0.050	ND 0.050	ND 0.050	ND 0.050	ND 0.05	ND 0.50	ND 0.051	ND 0.050	ND 0.050
Toxaphene	ND 5.0	ND 5.0	ND 5.0	ND 5.0	ND 5.0	ND 5.0	ND 5.0	ND 5.1	ND 5.0	ND 5.1	ND 5.0	ND 5.0
Aroclor-1016	ND 1.0	ND 1.0	ND 1.0	ND 1.0	ND 1.0	ND 1.0	ND 1.0	ND 1.0	ND 10	ND 1.0	ND 1.0	ND 1.0
Aroclor-1221	ND 2.0	ND 2.0	ND 2.0	ND 2.0	ND 2.0	ND 20	ND 2.0	ND 2.0	ND 20	ND 2.0	ND 2.0	ND 2.0
Aroclor-1232	ND 1.0	ND 1.0	ND 1.0	ND 1.0	ND 1.0	ND 10	ND 1.0	ND 1.0	ND 10	ND 1.0	ND 1.0	ND 1.0
Aroclor-1242	ND 1.0	ND 1.0	ND 1.0	ND 1.0	ND 1.0	ND 10	ND 1.0	ND 1.0	ND 10	ND 1.0	ND 1.0	ND 1.0
Aroclor-1248	ND 1.0	ND 1.0	ND 1.0	ND 1.0	ND 1.0	ND 10	ND 1.0	ND 1.0	ND 10	ND 1.0	ND 1.0	ND 1.0
Aroclor-1254	ND 1.0	ND 1.0	ND 1.0	ND 1.0	ND 1.0	ND 1.0	ND 1.0	ND 1.0	ND 1.0	ND 1.0	ND 1.0	ND 1.0
Aroclor-1260	ND 1.0	ND 1.0	ND 1.0	ND 1.0	ND 1.0	ND 1.0	ND 1.0	ND 1.0	ND 1.0	ND 1.0	ND 1.0	ND 1.0

Notes:
 ND Non-detect at or above the associated value.
 J Associated value is estimated.
 D Associated value is from a dilution.

TABLE A.1

ANALYTICAL RESULTS SUMMARY
LONG-TERM MONITORING PROGRAM
OCCIDENTAL CHEMICAL CORPORATION
LOVE CANAL
MAY 1995

	Sample ID:	9140	10113	9210	10205	10215	6209	1151A	10174B	10147	12020	10210A	10225A
	Collection Date:	05/12/95	05/12/95	05/16/95	05/16/95	05/16/95	05/17/95	05/17/95	05/17/95	05/17/95	Dup. of 6209 05/17/95	05/25/95	05/26/95
Volatiles (µg/L)													
Chloromethane		ND 10	ND 10	ND 10	ND 10	ND 10	ND 10	ND 10	ND 10	ND 10	ND 10	ND 10	ND 10
Bromomethane		ND 10	ND 10	ND 10	ND 10	ND 10	ND 10	ND 10	ND 10	ND 10	ND 10	ND 10	ND 10
Vinyl Chloride		ND 10	ND 10	ND 10	ND 10	ND 10	ND 10	ND 10	ND 10	ND 10	ND 10	ND 10	ND 10
Chloroethane		ND 10	ND 10	ND 10	ND 10	ND 10	ND 10	ND 10	ND 10	ND 10	ND 10	ND 10	ND 10
Methylene Chloride		ND 10	ND 10	ND 10	ND 10	ND 10	ND 10	ND 10	ND 10	ND 10	ND 10	ND 10	ND 10
Acetone		ND 10	ND 10	ND 10	ND 10	ND 10	ND 10	ND 10	ND 10	ND 10	ND 10	ND 16	ND 28
Carbon Disulfide		ND 10	ND 10	ND 10	ND 10	ND 10	ND 10	ND 10	ND 10	ND 10	ND 10	20	43
1,1-Dichloroethene		ND 10	ND 10	ND 10	ND 10	ND 10	ND 10	ND 10	ND 10	ND 10	ND 10	ND 10	ND 10
1,1-Dichloroethane		ND 10	ND 10	ND 10	ND 10	ND 10	ND 10	ND 10	ND 10	ND 10	ND 10	ND 10	ND 10
1,2-Dichloroethene (total)		ND 10	ND 10	ND 10	ND 10	ND 10	ND 10	ND 10	ND 10	ND 10	ND 10	ND 10	ND 10
Chloroform		ND 10	ND 10	ND 10	ND 10	ND 10	ND 10	ND 10	ND 10	ND 10	ND 10	ND 10	ND 10
1,2-Dichloroethane		ND 10	ND 10	ND 10	ND 10	ND 10	ND 10	ND 10	ND 10	ND 10	ND 10	ND 10	ND 10
2-Butanone		ND 10	ND 10	ND 10	ND 10	ND 10	ND 10	ND 10	ND 10	ND 10	ND 10	ND 10	ND 10
1,1,1-Trichloroethane		ND 10	ND 10	ND 10	ND 10	ND 10	ND 10	ND 10	ND 10	ND 10	ND 10	ND 10	ND 10
Carbon Tetrachloride		ND 10	ND 10	ND 10	ND 10	ND 10	ND 10	ND 10	ND 10	ND 10	ND 10	ND 10	ND 10
Bromodichloromethane		ND 10	ND 10	ND 10	ND 10	ND 10	ND 10	ND 10	ND 10	ND 10	ND 10	ND 10	ND 10
1,2-Dichloropropane		ND 10	ND 10	ND 10	ND 10	ND 10	ND 10	ND 10	ND 10	ND 10	ND 10	ND 10	ND 10
cis-1,3-Dichloropropene		ND 10	ND 10	ND 10	ND 10	ND 10	ND 10	ND 10	ND 10	ND 10	ND 10	ND 10	ND 10
Trichloroethene		ND 10	ND 10	ND 10	ND 10	ND 10	ND 10	ND 10	ND 10	ND 10	ND 10	ND 10	ND 10
Dibromochloromethane		ND 10	ND 10	ND 10	ND 10	ND 10	ND 10	ND 10	ND 10	ND 10	ND 10	ND 10	ND 10
1,1,2-Trichloroethane		ND 10	ND 10	ND 10	ND 10	ND 10	ND 10	ND 10	ND 10	ND 10	ND 10	ND 10	ND 10
Benzene		ND 10	ND 10	ND 10	ND 10	ND 10	ND 10	ND 10	ND 10	ND 10	ND 10	ND 10	ND 10
Trans-1,3-Dichloropropene		ND 10	ND 10	ND 10	ND 10	ND 10	ND 10	ND 10	ND 10	ND 10	ND 10	ND 10	ND 10
Bromoform		ND 10	ND 10	ND 10	ND 10	ND 10	ND 10	ND 10	ND 10	ND 10	ND 10	ND 10	ND 10
4-Methyl-2-pentanone		ND 10	ND 10	ND 10	ND 10	ND 10	ND 10	ND 10	ND 10	ND 10	ND 10	ND 10	ND 10
2-Hexanone		ND 10	ND 10	ND 10	ND 10	ND 10	ND 10	ND 10	ND 10	ND 10	ND 10	ND 10	ND 10
Tetrachloroethene		ND 10	ND 10	ND 10	ND 10	ND 10	ND 10	ND 10	ND 10	ND 10	ND 10	ND 10	ND 10
1,1,2,2-Tetrachloroethane		ND 10	ND 10	ND 10	ND 10	ND 10	ND 10	ND 10	ND 10	ND 10	ND 10	ND 10	ND 10
Toluene		ND 10	ND 10	ND 10	ND 10	ND 10	ND 10	ND 10	ND 10	ND 10	ND 10	ND 10	ND 10
Chlorobenzene		ND 10	ND 10	ND 10	ND 10	ND 10	ND 10	ND 10	ND 10	ND 10	ND 10	ND 10	ND 10
Ethylbenzene		ND 10	ND 10	ND 10	ND 10	ND 10	ND 10	ND 10	ND 10	ND 10	ND 10	ND 10	ND 10
Styrene		ND 10	ND 10	ND 10	ND 10	ND 10	ND 10	ND 10	ND 10	ND 10	ND 10	ND 10	ND 10
Xylene (total)		ND 10	ND 10	ND 10	ND 10	ND 10	ND 10	ND 10	ND 10	ND 10	ND 10	ND 10	ND 10
Vinyl Acetate		ND 10	ND 10	ND 10	ND 10	ND 10	ND 10	ND 10	ND 10	ND 10	ND 10	ND 10	ND 10
2-Chloroethylvinylether		ND 10	ND 10	ND 10	ND 10	ND 10	ND 10	ND 10	ND 10	ND 10	ND 10	ND 10	ND 10

TABLE A.1

ANALYTICAL RESULTS SUMMARY
LONG-TERM MONITORING PROGRAM
OCCIDENTAL CHEMICAL CORPORATION
LOVE CANAL
MAY 1995

Sample ID:	9140	10113	9210	10205	10215	6209	1151A	10174B	10147	12020	10210A	10225A
Collection Date:	05/12/95	05/12/95	05/16/95	05/16/95	05/16/95	05/17/95	05/17/95	05/17/95	05/17/95	Dwp. of 6209 05/17/95	05/25/95	05/26/95
<i>Semi-Volatiles (µg/L)</i>												
Phenol	ND 10	ND 10	ND 10	ND 10	ND 10	ND 10	ND 10	ND 10	ND 10	ND 10	ND 10	ND 20
bis(2-Chloroethyl)ether	ND 10	ND 10	ND 10	ND 10	ND 10	ND 10	ND 10	ND 10	ND 10	ND 10	ND 10	ND 20
2-Chlorophenol	ND 10	ND 10	ND 10	ND 10	ND 10	ND 10	ND 10	ND 10	ND 10	ND 10	ND 10	ND 20
1,3-Dichlorobenzene	ND 10	ND 10	ND 10	ND 10	ND 10	ND 10	ND 10	ND 10	ND 10	ND 10	ND 10	ND 20
1,4-Dichlorobenzene	ND 10	ND 10	ND 10	ND 10	ND 10	ND 10	ND 10	ND 10	ND 10	ND 10	ND 10	ND 20
1,2-Dichlorobenzene	ND 10	ND 10	ND 10	ND 10	ND 10	ND 10	ND 10	ND 10	ND 10	ND 10	ND 10	ND 20
2-Methylphenol	ND 10	ND 10	ND 10	ND 10	ND 10	ND 10	ND 10	ND 10	ND 10	ND 10	ND 10	ND 20
2,2'-oxybis(1-Chloropropane)	ND 10	ND 10	ND 10	ND 10	ND 10	ND 10	ND 10	ND 10	ND 10	ND 10	ND 10	ND 20
4-Methylphenol	ND 10	ND 10	ND 10	ND 10	ND 10	ND 10	ND 10	ND 10	ND 10	ND 10	ND 10	ND 20
N-Nitroso-di-n-propylamine	ND 10	ND 10	ND 10	ND 10	ND 10	ND 10	ND 10	ND 10	ND 10	ND 10	ND 10	ND 20
Hexachloroethane	ND 10	ND 10	ND 10	ND 10	ND 10	ND 10	ND 10	ND 10	ND 10	ND 10	ND 10	ND 20
Nitrobenzene	ND 10	ND 10	ND 10	ND 10	ND 10	ND 10	ND 10	ND 10	ND 10	ND 10	ND 10	ND 20
Isophorone	ND 10	ND 10	ND 10	ND 10	ND 10	ND 10	ND 10	ND 10	ND 10	ND 10	ND 10	ND 20
2-Nitrophenol	ND 10	ND 10	ND 10	ND 10	ND 10	ND 10	ND 10	ND 10	ND 10	ND 10	ND 10	ND 20
2,4-Dimethylphenol	ND 10	ND 10	ND 10	ND 10	ND 10	ND 10	ND 10	ND 10	ND 10	ND 10	ND 10	ND 20
bis(2-Chloroethoxy)methane	ND 10	ND 10	ND 10	ND 10	ND 10	ND 10	ND 10	ND 10	ND 10	ND 10	ND 10	ND 20
2,4-Dichlorophenol	ND 10	ND 10	ND 10	ND 10	ND 10	ND 10	ND 10	ND 10	ND 10	ND 10	ND 10	ND 20
1,2,4-Trichlorobenzene	ND 10	ND 10	ND 10	ND 10	ND 10	ND 10	ND 10	ND 10	ND 10	ND 10	ND 10	ND 20
Naphthalene	ND 10	ND 10	ND 10	ND 10	ND 10	ND 10	ND 10	ND 10	ND 10	ND 10	ND 10	ND 20
4-Chloroaniline	ND 10	ND 10	ND 10	ND 10	ND 10	ND 10	ND 10	ND 10	ND 10	ND 10	ND 10	ND 20
Hexachlorobutadiene	ND 10	ND 10	ND 10	ND 10	ND 10	ND 10	ND 10	ND 10	ND 10	ND 10	ND 10	ND 20
4-Chloro-3-methylphenol	ND 10	ND 10	ND 10	ND 10	ND 10	ND 10	ND 10	ND 10	ND 10	ND 10	ND 10	ND 20
2-Methylnaphthalene	ND 10	ND 10	ND 10	ND 10	ND 10	ND 10	ND 10	ND 10	ND 10	ND 10	ND 10	ND 20
Hexachlorocyclopentadiene	ND 10	ND 10	ND 10	ND 10	ND 10	ND 10	ND 10	ND 10	ND 10	ND 10	ND 10	ND 20
2,4,6-Trichlorophenol	ND 26	ND 26	ND 26	ND 26	ND 26	ND 26	ND 26	ND 26	ND 26	ND 26	ND 25	ND 50
2,4,5-Trichlorophenol	ND 10	ND 10	ND 10	ND 10	ND 10	ND 10	ND 10	ND 10	ND 10	ND 10	ND 10	ND 20
2-Chloronaphthalene	ND 10	ND 10	ND 10	ND 10	ND 10	ND 10	ND 10	ND 10	ND 10	ND 10	ND 10	ND 20
2-Nitroaniline	ND 26	ND 26	ND 26	ND 26	ND 26	ND 26	ND 26	ND 26	ND 26	ND 26	ND 25	ND 50
Dimethylphthalate	ND 10	ND 10	ND 10	ND 10	ND 10	ND 10	ND 10	ND 10	ND 10	ND 10	ND 10	ND 20
Acenaphthylene	ND 10	ND 10	ND 10	ND 10	ND 10	ND 10	ND 10	ND 10	ND 10	ND 10	ND 10	ND 20
2,6-Dinitrotoluene	ND 10	ND 10	ND 10	ND 10	ND 10	ND 10	ND 10	ND 10	ND 10	ND 10	ND 10	ND 20
3-Nitroaniline	ND 26	ND 26	ND 26	ND 26	ND 26	ND 26	ND 26	ND 26	ND 26	ND 26	ND 25	ND 50
Acenaphthene	ND 10	ND 10	ND 10	ND 10	ND 10	ND 10	ND 10	ND 10	ND 10	ND 10	ND 10	ND 20
2,4-Dinitrophenol	ND 26	ND 26	ND 26	ND 26	ND 26	ND 26	ND 26	ND 26	ND 26	ND 26	ND 25	ND 50
4-Nitrophenol	ND 26	ND 26	ND 26	ND 26	ND 26	ND 26	ND 26	ND 26	ND 26	ND 26	ND 25	ND 50
Dibenzofuran	ND 10	ND 10	ND 10	ND 10	ND 10	ND 10	ND 10	ND 10	ND 10	ND 10	ND 10	ND 20
2,4-Dinitrotoluene	ND 10	ND 10	ND 10	ND 10	ND 10	ND 10	ND 10	ND 10	ND 10	ND 10	ND 10	ND 20
Diethylphthalate	ND 10	ND 10	ND 10	ND 10	ND 10	ND 10	ND 10	ND 10	ND 10	ND 10	ND 10	ND 20
4-Chlorophenyl-phenylether	ND 10	ND 10	ND 10	ND 10	ND 10	ND 10	ND 10	ND 10	ND 10	ND 10	ND 10	ND 20

TABLE A.1

ANALYTICAL RESULTS SUMMARY
 LONG-TERM MONITORING PROGRAM
 OCCIDENTAL CHEMICAL CORPORATION
 LOVE CANAL
 MAY 1995

Sample ID:	9140	10113	9210	10205	10215	6209	1151A	10174B	10147	12020	10210A	10225A
Collection Date:	05/12/95	05/12/95	05/16/95	05/16/95	05/16/95	05/17/95	05/17/95	05/17/95	05/17/95	Dup. of 6209 05/17/95	05/25/95	05/26/95
<i>Semi-Volatiles (ug/L)</i>												
Fluorene	ND 10	ND 10	ND 10	ND 10	ND 10	ND 10	ND 10	ND 10	ND 10	ND 10	ND 10	ND 20
4-Nitroaniline	ND 26	ND 26	ND 26	ND 26	ND 26	ND 26	ND 26	ND 26	ND 26	ND 26	ND 25	ND 50
4,6-Dinitro-2-methylphenol	ND 26	ND 26	ND 26	ND 26	ND 26	ND 26	ND 26	ND 26	ND 26	ND 26	ND 25	ND 50
N-Nitrosodiphenylamine (1)	ND 10	ND 10	ND 10	ND 10	ND 10	ND 10	ND 10	ND 10	ND 10	ND 10	ND 10	ND 20
4-Bromophenyl-phenylether	ND 10	ND 10	ND 10	ND 10	ND 10	ND 10	ND 10	ND 10	ND 10	ND 10	ND 10	ND 20
Hexachlorobenzene	ND 10	ND 10	ND 10	ND 10	ND 10	ND 10	ND 10	ND 10	ND 10	ND 10	ND 10	ND 20
Pentachlorophenol	ND 26	ND 26	ND 26	ND 26	ND 26	ND 26	ND 26	ND 26	ND 26	ND 26	ND 25	ND 50
Phenanthrene	ND 10	ND 10	ND 10	ND 10	ND 10	ND 10	ND 10	ND 10	ND 10	ND 10	ND 10	ND 20
Anthracene	ND 10	ND 10	ND 10	ND 10	ND 10	ND 10	ND 10	ND 10	ND 10	ND 10	ND 10	ND 20
Di-n-butylphthalate	ND 10	ND 10	ND 10	ND 10	ND 10	ND 10	ND 10	ND 10	ND 10	ND 10	ND 10	ND 20
Fluoranthene	ND 10	ND 10	ND 10	ND 10	ND 10	ND 10	ND 10	ND 10	ND 10	ND 10	ND 10	ND 20
Pyrene	ND 10	ND 10	ND 10	ND 10	ND 10	ND 10	ND 10	ND 10	ND 10	ND 10	ND 10	ND 20
Butylbenzylphthalate	ND 10	ND 10	ND 10	ND 10	ND 10	ND 10	ND 10	ND 10	ND 10	ND 10	ND 10	ND 20
3,3'-Dichlorobenzidine	ND 10	ND 10	ND 10	ND 10	ND 10	ND 10	ND 10	ND 10	ND 10	ND 10	ND 10	ND 20
Benzo(a)anthracene	ND 10	ND 10	ND 10	ND 10	ND 10	ND 10	ND 10	ND 10	ND 10	ND 10	ND 10	ND 20
Chrysene	ND 10	ND 10	ND 10	ND 10	ND 10	ND 10	ND 10	ND 10	ND 10	ND 10	ND 10	ND 20
bis(2-Ethylhexyl)phthalate	ND 10	ND 10	ND 10	19j	11j	15j	47j	ND 10	ND 10	23j	51	ND 20
Di-n-octyl phthalate	ND 10	ND 10	ND 10	ND 10	ND 10	ND 10	ND 10	ND 10	ND 10	ND 10	ND 10	ND 20
Benzo(b)fluoranthene	ND 10	ND 10	ND 10	ND 10	ND 10	ND 10	ND 10	ND 10	ND 10	ND 10	ND 10	ND 20
Benzo(k)fluoranthene	ND 10	ND 10	ND 10	ND 10	ND 10	ND 10	ND 10	ND 10	ND 10	ND 10	ND 10	ND 20
Benzo(a)pyrene	ND 10	ND 10	ND 10	ND 10	ND 10	ND 10	ND 10	ND 10	ND 10	ND 10	ND 10	ND 20
Indeno(1,2,3-cd)pyrene	ND 10	ND 10	ND 10	ND 10	ND 10	ND 10	ND 10	ND 10	ND 10	ND 10	ND 10	ND 20
Dibenz(a,h)anthracene	ND 10	ND 10	ND 10	ND 10	ND 10	ND 10	ND 10	ND 10	ND 10	ND 10	ND 10	ND 20
Benzo(g,h,i)perylene	ND 10	ND 10	ND 10	ND 10	ND 10	ND 10	ND 10	ND 10	ND 10	ND 10	ND 10	ND 20
Benzo(l)alcohol	ND 10	ND 10	ND 10	ND 10	ND 10	ND 10	ND 10	ND 10	ND 10	ND 10	ND 10	ND 20
Benzoic acid	ND 51	ND 51	ND 51	ND 51	ND 51	ND 51	ND 51	ND 51	ND 51	ND 51	ND 50	ND 100

TABLE A.1

ANALYTICAL RESULTS SUMMARY
LONG-TERM MONITORING PROGRAM
OCCIDENTAL CHEMICAL CORPORATION
LOVE CANAL
MAY 1995

	Sample ID:	9140	10113	9210	10205	10215	6209	1151A	10174B	10147	12020	10210A	10225A
	Collection Date:	05/12/95	05/12/95	05/16/95	05/16/95	05/16/95	05/17/95	05/17/95	05/17/95	05/17/95	Dup. of 6209 05/17/95	05/25/95	05/26/95
<i>Pesticides/PCBs (µg/L)</i>													
Alpha-BHC	ND 0.050	ND 0.050	ND 0.050	ND 0.050	ND 0.050	ND 0.050	ND 0.051	ND 0.051	ND 0.052	ND 0.050	ND 0.051	ND 0.050	ND 0.10
Beta-BHC	ND 0.050	ND 0.050	ND 0.050	ND 0.050	ND 0.050	ND 0.050	ND 0.051	0.071J	ND 0.052	ND 0.050	ND 0.051	ND 0.050	ND 0.10
Delta-BHC	ND 0.050	ND 0.050	ND 0.050	ND 0.050	ND 0.050	ND 0.050	ND 0.051	ND 0.051	ND 0.052	ND 0.050	ND 0.051	ND 0.050	ND 0.10
gamma-BHC (Lindane)	ND 0.050	ND 0.050	ND 0.050	ND 0.050	ND 0.050	ND 0.050	ND 0.051	ND 0.051	ND 0.052	ND 0.050	ND 0.051	ND 0.050	ND 0.10
Heptachlor	ND 0.050	ND 0.050	ND 0.050	ND 0.050	ND 0.050	ND 0.050	ND 0.051	ND 0.051	ND 0.052	ND 0.050	ND 0.051	ND 0.050	ND 0.10
Aldrin	ND 0.050	ND 0.050	ND 0.050	ND 0.050	ND 0.050	ND 0.050	ND 0.051	ND 0.051	ND 0.052	ND 0.050	ND 0.051	ND 0.050	ND 0.10
Heptachlor epoxide	ND 0.050	ND 0.050	ND 0.050	ND 0.050	ND 0.050	ND 0.050	ND 0.051	ND 0.051	ND 0.052	ND 0.050	ND 0.051	ND 0.050	ND 0.10
Endosulfan I	ND 0.050	ND 0.050	ND 0.050	ND 0.050	ND 0.050	ND 0.050	ND 0.051	ND 0.051	ND 0.052	ND 0.050	ND 0.051	ND 0.050	ND 0.10
Dieldrin	ND 0.10	ND 0.10	ND 0.10	ND 0.10	ND 0.10	ND 0.10	ND 0.10	ND 0.10	ND 0.10	ND 0.10	ND 0.10	ND 0.10	ND 0.20
4,4'-DDE	ND 0.10	ND 0.10	ND 0.10	ND 0.10	ND 0.10	ND 0.10	ND 0.10	ND 0.10	ND 0.10	ND 0.10	ND 0.10	ND 0.10	ND 0.20
Endrin	ND 0.10	ND 0.10	ND 0.10	ND 0.10	ND 0.10	ND 0.10	ND 0.10	ND 0.10	ND 0.10	ND 0.10	ND 0.10	ND 0.10	ND 0.20
Endosulfan II	ND 0.10	ND 0.10	ND 0.10	ND 0.10	ND 0.10	ND 0.10	ND 0.10	ND 0.10	ND 0.10	ND 0.10	ND 0.10	ND 0.10	ND 0.20
Endosulfan sulfate	ND 0.10	ND 0.10	ND 0.10	ND 0.10	ND 0.10	ND 0.10	ND 0.10	ND 0.10	ND 0.10	ND 0.10	ND 0.10	ND 0.10	ND 0.20
4,4'-DDT	ND 0.10	ND 0.10	ND 0.10	ND 0.10	ND 0.10	ND 0.10	ND 0.10	ND 0.10	ND 0.10	ND 0.10	ND 0.10	ND 0.10	ND 0.20
Methoxychlor	ND 0.50	ND 0.50	ND 0.50	ND 0.50	ND 0.50	ND 0.50	ND 0.51	ND 0.51	ND 0.52	ND 0.50	ND 0.51	ND 0.50	ND 1.0
Endrin ketone	ND 0.10	ND 0.10	ND 0.10	ND 0.10	ND 0.10	ND 0.10	ND 0.10	ND 0.10	ND 0.10	ND 0.10	ND 0.10	ND 0.10	ND 0.20
alpha-Chlordane	ND 0.050	ND 0.050	ND 0.050	ND 0.050	ND 0.050	ND 0.050	ND 0.051	ND 0.051	ND 0.052	ND 0.050	ND 0.051	ND 0.050	ND 0.10
gamma-Chlordane	ND 0.050	ND 0.050	ND 0.050	ND 0.050	ND 0.050	ND 0.050	ND 0.051	ND 0.051	ND 0.052	ND 0.050	ND 0.051	ND 0.050	ND 0.10
Toxaphene	ND 5.0	ND 5.0	ND 5.0	ND 5.0	ND 5.0	ND 5.0	ND 5.1	ND 5.1	ND 5.2	ND 5.0	ND 5.1	ND 5.0	ND 10
Aroclor-1016	ND 1.0	ND 1.0	ND 1.0	ND 1.0	ND 1.0	ND 1.0	ND 1.0	ND 1.0	ND 1.0	ND 1.0	ND 1.0	ND 1.0	ND 2.0
Aroclor-1221	ND 2.0	ND 2.0	ND 2.0	ND 2.0	ND 2.0	ND 2.0	ND 2.0	ND 2.0	ND 2.1	ND 2.0	ND 2.0	ND 2.0	ND 4.0
Aroclor-1232	ND 1.0	ND 1.0	ND 1.0	ND 1.0	ND 1.0	ND 1.0	ND 1.0	ND 1.0	ND 1.0	ND 1.0	ND 1.0	ND 1.0	ND 2.0
Aroclor-1242	ND 1.0	ND 1.0	ND 1.0	ND 1.0	ND 1.0	ND 1.0	ND 1.0	ND 1.0	ND 1.0	ND 1.0	ND 1.0	ND 1.0	ND 2.0
Aroclor-1248	ND 1.0	ND 1.0	ND 1.0	ND 1.0	ND 1.0	ND 1.0	ND 1.0	ND 1.0	ND 1.0	ND 1.0	ND 1.0	ND 1.0	ND 2.0
Aroclor-1254	ND 1.0	ND 1.0	ND 1.0	ND 1.0	ND 1.0	ND 1.0	ND 1.0	ND 1.0	ND 1.0	ND 1.0	ND 1.0	ND 1.0	ND 2.0
Aroclor-1260	ND 1.0	ND 1.0	ND 1.0	ND 1.0	ND 1.0	ND 1.0	ND 1.0	ND 1.0	ND 1.0	ND 1.0	ND 1.0	ND 1.0	ND 2.0

Notes:
 ND Non-detect at or above the associated value.
 J Associated value is estimated.
 D Associated value is from a dilution.

TABLE A.1
ANALYTICAL RESULTS SUMMARY
LONG-TERM MONITORING PROGRAM
OCCIDENTAL CHEMICAL CORPORATION
LOVE CANAL
MAY 1995

Sample ID:	10225B	12510 <i>Dup. of 10225B</i>	10210B	10210C	10225C	10135
Collection Date:	05/26/95	05/26/95	06/01/95	06/01/95	06/01/95	06/01/95
Volatiles (µg/L)						
Chloromethane	ND 10	ND 10	ND 10	ND 10	ND 10	ND 10
Bromomethane	ND 10	ND 10	ND 10	ND 10	ND 10	ND 10
Vinyl Chloride	ND 10	ND 10	ND 10	ND 10	ND 10	44j
Chloroethane	ND 10	ND 10	ND 10	ND 10	ND 10	ND 10
Methylene Chloride	ND 10	ND 10	ND 10	ND 10	ND 10	ND 12
Acetone	ND 54	ND 52	23	ND 10	ND 10	100j
Carbon Disulfide	ND 10	ND 10	ND 10	ND 10	ND 10	ND 10
1,1-Dichloroethene	ND 10	ND 10	ND 10	ND 10	ND 10	ND 10
1,1-Dichloroethane	ND 10	ND 10	ND 10	ND 10	ND 10	ND 10
1,2-Dichloroethene (total)	ND 10	ND 10	ND 10	ND 10	ND 10	ND 10
Chloroform	ND 10	ND 10	ND 10	ND 10	ND 10	670jD 86j
1,2-Dichloroethane	ND 10	ND 10	ND 10	ND 10	ND 10	ND 10
2-Butanone	ND 10	ND 10	ND 10	ND 10	ND 10	ND 10
1,1,1-Trichloroethane	ND 10	ND 10	ND 10	ND 10	ND 10	ND 10
Carbon Tetrachloride	ND 10	ND 10	ND 10	ND 10	ND 10	ND 10
Bromodichloromethane	ND 10	ND 10	ND 10	ND 10	ND 10	ND 10
1,2-Dichloropropane	ND 10	ND 10	ND 10	ND 10	ND 10	ND 10
cis-1,3-Dichloropropene	ND 10	ND 10	ND 10	ND 10	ND 10	ND 10
Trichloroethene	ND 10	ND 10	ND 10	ND 10	ND 10	18f
Dibromochloromethane	ND 10	ND 10	ND 10	ND 10	ND 10	ND 10
1,1,2-Trichloroethane	ND 10	ND 10	ND 10	ND 10	ND 10	ND 10
Benzene	ND 10	ND 10	ND 10	ND 10	ND 10	4900D
Trans-1,3-Dichloropropene	ND 10	ND 10	ND 10	ND 10	ND 10	ND 10
Bromoform	ND 10	ND 10	ND 10	ND 10	ND 10	ND 10
4-Methyl-2-pentanone	ND 10	ND 10	ND 10	ND 10	ND 10	ND 10
2-Hexanone	ND 10	ND 10	ND 10	ND 10	ND 10	ND 10
Tetrachloroethene	ND 10	ND 10	ND 10	ND 10	ND 10	ND 10
1,1,2,2-Tetrachloroethane	ND 10	ND 10	ND 10	ND 10	ND 10	ND 10
Toluene	ND 10	ND 10	ND 10	ND 10	ND 10	18000D
Chlorobenzene	ND 10	ND 10	ND 10	ND 10	ND 10	2000D
Ethylbenzene	ND 10	ND 10	ND 10	ND 10	ND 10	ND 10
Styrene	ND 10	ND 10	ND 10	ND 10	ND 10	ND 10
Xylene (total)	ND 10	ND 10	ND 10	ND 10	ND 10	37j
Vinyl Acetate	ND 10	ND 10	ND 10	ND 10	ND 10	ND 10
2-Chloroethylvinylether	ND 10	ND 10	ND 10	ND 10	ND 10	ND 10

TABLE A.1
ANALYTICAL RESULTS SUMMARY
LONG-TERM MONITORING PROGRAM
OCCIDENTAL CHEMICAL CORPORATION
LOVE CANAL
MAY 1995

Sample ID:	10225B	12510	10210B	10210C	10225C	10135
Collection Date:	05/26/95	Dup. of 10225B 05/26/95	06/01/95	06/01/95	06/01/95	06/01/95
<i>Semi-Volatiles (µg/L)</i>						
Phenol	ND 10	ND 10	ND 10	22	ND 10	140
bis(2-Chloroethyl)ether	ND 10	ND 10	ND 10	ND 10	ND 10	ND 100
2-Chlorophenol	ND 10	ND 10	ND 10	ND 10	ND 10	ND 100
1,3-Dichlorobenzene	ND 10	ND 10	ND 10	ND 10	ND 10	ND 100
1,4-Dichlorobenzene	ND 10	ND 10	ND 10	ND 10	ND 10	ND 100
1,2-Dichlorobenzene	ND 10	ND 10	ND 10	ND 10	ND 10	ND 100
2-Methylphenol	ND 10	ND 10	ND 10	ND 10	ND 10	ND 100
2,2-oxybis(1-Chloropropane)	ND 10	ND 10	ND 10	ND 10	ND 10	ND 100
4-Methylphenol	ND 10	ND 10	ND 10	29	ND 10	ND 100
N-Nitroso-di-n-propylamine	ND 10	ND 10	ND 10	ND 10	ND 10	ND 100
Hexachloroethane	ND 10	ND 10	ND 10	ND 10	ND 10	ND 100
Nitrobenzene	ND 10	ND 10	ND 10	ND 10	ND 10	ND 100
Isophorone	ND 10	ND 10	ND 10	ND 10	ND 10	ND 100
2-Nitrophenol	ND 10	ND 10	ND 10	ND 10	ND 10	ND 100
2,4-Dimethylphenol	ND 10	ND 10	ND 10	ND 10	ND 10	ND 100
bis(2-Chloroethoxy)methane	ND 10	ND 10	ND 10	ND 10	ND 10	ND 100
2,4-Dichlorophenol	ND 10	ND 10	ND 10	ND 10	ND 10	ND 100
1,2,4-Trichlorobenzene	ND 10	ND 10	ND 10	ND 10	ND 10	150
Naphthalene	ND 10	ND 10	ND 10	ND 10	ND 10	ND 100
4-Chloroaniline	ND 10	ND 10	ND 10	ND 10	ND 10	ND 100
Hexachlorobutadiene	ND 10	ND 10	ND 10	ND 10	ND 10	ND 100
4-Chloro-3-methylphenol	ND 10	ND 10	ND 10	ND 10	ND 10	ND 100
2-Methylnaphthalene	ND 10	ND 10	ND 10	ND 10	ND 10	ND 100
Hexachlorocyclopentadiene	ND 10	ND 10	ND 10	ND 10	ND 10	ND 100
2,4,6-Trichlorophenol	ND 10	ND 10	ND 10	ND 10	ND 10	ND 100
2,4,5-Trichlorophenol	ND 25	ND 25	ND 26	ND 26	ND 26	ND 260
2-Chloronaphthalene	ND 10	ND 10	ND 10	ND 10	ND 10	150
2-Nitroaniline	ND 25	ND 25	ND 26	ND 26	ND 26	ND 260
Dimethylphthalate	ND 10	ND 10	ND 10	ND 10	ND 10	ND 100
Acenaphthylene	ND 10	ND 10	ND 10	ND 10	ND 10	ND 100
2,6-Dinitrotoluene	ND 10	ND 10	ND 10	ND 10	ND 10	ND 100
3-Nitroaniline	ND 25	ND 25	ND 26	ND 26	ND 26	ND 260
Acenaphthene	ND 10	ND 10	ND 10	ND 10	ND 10	ND 100
2,4-Dinitrophenol	ND 25	ND 25	ND 26	ND 26	ND 26	ND 260
4-Nitrophenol	ND 25	ND 25	ND 26	ND 26	ND 26	ND 260
Dibenzofuran	ND 10	ND 10	ND 10	ND 10	ND 10	ND 100
2,4-Dinitrotoluene	ND 10	ND 10	ND 10	ND 10	ND 10	ND 100
Diethylphthalate	ND 10	ND 10	ND 10	ND 10	ND 10	ND 100
4-Chlorophenyl-phenylether	ND 10	ND 10	ND 10	ND 10	ND 10	ND 100

TABLE A.1
ANALYTICAL RESULTS SUMMARY
LONG-TERM MONITORING PROGRAM
OCCIDENTAL CHEMICAL CORPORATION
LOVE CANAL
MAY 1995

Sample ID:	10225B	12510	10210B	10210C	10225C	10135
Collection Date:	05/26/95	Dup. of 10225B 05/26/95	06/01/95	06/01/95	06/01/95	06/01/95
Semi-Volatiles (ug/L)						
Fluorene	ND 10	ND 10	ND 10	ND 10	ND 10	ND 100
4-Nitroaniline	ND 25	ND 25	ND 26	ND 26	ND 26	ND 260
4,6-Dinitro-2-methylphenol	ND 25	ND 25	ND 26	ND 26	ND 26	ND 260
N-Nitrosodiphenylamine (1)	ND 10	ND 10	ND 10	ND 10	ND 10	ND 100
4-Bromophenyl-phenylether	ND 10	ND 10	ND 10	ND 10	ND 10	ND 100
Hexachlorobenzene	ND 10	ND 10	ND 10	ND 10	ND 10	ND 100
Pentachlorophenol	ND 25	ND 25	ND 26	ND 26	ND 26	ND 260
Phenanthrene	ND 10	ND 10	ND 10	ND 10	ND 10	ND 100
Anthracene	ND 10	ND 10	ND 10	ND 10	ND 10	ND 100
Di-n-butylphthalate	ND 10	ND 10	ND 10	ND 10	ND 10	ND 100
Fluoranthene	ND 10	ND 10	ND 10	ND 10	ND 10	ND 100
Pyrene	ND 10	ND 10	ND 10	ND 10	ND 10	ND 100
Butylbenzylphthalate	ND 10	ND 10	ND 10	ND 10	ND 10	ND 100
3,3'-Dichlorobenzidine	ND 10	ND 10	ND 10	ND 10	ND 10	ND 100
Benzo(a)anthracene	ND 10	ND 10	ND 10	ND 10	ND 10	ND 100
Chrysene	ND 10	ND 10	ND 10	ND 10	ND 10	ND 100
bis(2-Ethylhexyl)phthalate	ND 10	ND 10	ND 10	ND 20	ND 10	ND 100
Di-n-octyl phthalate	ND 10	ND 10	ND 10	ND 10	ND 10	ND 100
Benzo(b)fluoranthene	ND 10	ND 10	ND 10	ND 10	ND 10	ND 100
Benzo(k)fluoranthene	ND 10	ND 10	ND 10	ND 10	ND 10	ND 100
Benzo(a)pyrene	ND 10	ND 10	ND 10	ND 10	ND 10	ND 100
Indeno(1,2,3-cd)pyrene	ND 10	ND 10	ND 10	ND 10	ND 10	ND 100
Dibenz(a,h)anthracene	ND 10	ND 10	ND 10	ND 10	ND 10	ND 100
Benzo(g,h,i)perylene	ND 10	ND 10	ND 10	ND 10	ND 10	ND 100
Benzyl alcohol	ND 10	ND 10	ND 10	ND 10	ND 10	380
Benzoic acid	ND 50	ND 50	ND 52	ND 52	ND 10	6400D

TABLE A.1
ANALYTICAL RESULTS SUMMARY
LONG-TERM MONITORING PROGRAM
OCCIDENTAL CHEMICAL CORPORATION
LOVE CANAL
MAY 1995

	Sample ID:	10225B	12510	10210B	10210C	10225C	10135
	Collection Date:	05/26/95	Dup. of 10225B 05/26/95	06/01/95	06/01/95	06/01/95	06/01/95
Pesticides/PCBs (µg/L)							
Alpha-BHC	ND 0.25	ND 0.50	ND 0.50	ND 0.50	ND 0.050	ND 0.052	28D
Beta-BHC	ND 0.25	ND 0.50	ND 0.50	ND 0.50	ND 0.050	ND 0.052	10D
Delta-BHC	ND 0.25	ND 0.50	ND 0.50	ND 0.50	ND 0.050	ND 0.052	4.7
gamma-BHC (Lindane)	ND 0.25	ND 0.50	ND 0.50	ND 0.50	ND 0.050	ND 0.052	ND 0.51
Heptachlor	ND 0.25	ND 0.50	ND 0.50	ND 0.50	ND 0.050	ND 0.052	ND 0.51
Aldrin	ND 0.25	ND 0.50	ND 0.50	ND 0.50	ND 0.050	ND 0.052	ND 0.51
Heptachlor epoxide	ND 0.25	ND 0.50	ND 0.50	ND 0.50	ND 0.050	ND 0.052	ND 0.51
Endosulfan I	ND 0.25	ND 0.50	ND 0.50	ND 0.50	ND 0.050	ND 0.052	ND 0.51
Diieldrin	ND 0.50	ND 1.0	ND 1.0	ND 1.0	ND 0.10	ND 0.10	ND 1.0
4,4'-DDE	ND 0.50	ND 1.0	ND 1.0	ND 1.0	ND 0.10	ND 0.10	ND 1.0
Endrin	ND 0.50	ND 1.0	ND 1.0	ND 1.0	ND 0.010	ND 0.10	ND 1.0
Endosulfan II	ND 0.50	ND 1.0	ND 1.0	ND 1.0	ND 0.10	ND 0.10	ND 1.0
4,4'-DDD	ND 0.50	ND 1.0	ND 1.0	ND 1.0	ND 0.10	ND 0.10	ND 1.0
Endosulfan sulfate	ND 0.50	ND 1.0	ND 1.0	ND 1.0	ND 0.10	ND 0.10	ND 1.0
4,4'-DDT	ND 0.50	ND 1.0	ND 1.0	ND 1.0	ND 0.10	ND 0.10	ND 1.0
Methoxychlor	ND 2.50	ND 5.0	ND 5.0	ND 5.0	ND 0.50	ND 0.52	ND 5.1
Endrin ketone	ND 0.50	ND 1.0	ND 1.0	ND 1.0	ND 0.10	ND 0.10	ND 1.0
alpha-Chlordane	ND 0.25	ND 0.50	ND 0.50	ND 0.50	ND 0.050	ND 0.052	ND 0.51
gamma-Chlordane	ND 0.25	ND 0.50	ND 0.50	ND 0.50	ND 0.050	ND 0.052	ND 0.51
Toxaphene	ND 25	ND 50	ND 50	ND 50	ND 5.0	ND 5.2	ND 51
Aroclor-1016	ND 5.0	ND 10	ND 10	ND 10	ND 1.0	ND 1.0	ND 10
Aroclor-1221	ND 10	ND 20	ND 20	ND 20	ND 2.0	ND 2.1	ND 20
Aroclor-1232	ND 5.0	ND 10	ND 10	ND 10	ND 1.0	ND 1.0	ND 10
Aroclor-1242	ND 5.0	ND 10	ND 10	ND 10	ND 1.0	ND 1.0	ND 10
Aroclor-1248	ND 5.0	ND 10	ND 10	ND 10	ND 1.0	ND 1.0	ND 10
Aroclor-1254	ND 5.0	ND 10	ND 10	ND 10	ND 1.0	ND 1.0	ND 10
Aroclor-1260	ND 5.0	ND 10	ND 10	ND 10	ND 1.0	ND 1.0	ND 10

Notes:
 ND Non-detect at or above the associated value.
 J Associated value is estimated.
 D Associated value is from a dilution.

TABLE A.2
SUMMARY OF TRIP BLANK RESULTS
LONG-TERM MONITORING PROGRAM
OCCIDENTAL CHEMICAL CORPORATION
LOVE CANAL
MAY 1995

Sample ID: Collection Date:	Trip Blank 05/01/95	Trip Blank 05/03/95	Trip Blank 05/05/95	Trip Blank 05/08/95	Trip Blank 05/12/95	Trip Blank 05/16/95	Trip Blank 05/26/95	Trip Blank 06/01/95
<i>Volatiles* (µg/L)</i>								
Chloromethane	ND 10	ND 10	ND 10	ND 10	ND 10	ND 10	ND 10	ND 10
Bromomethane	ND 10	ND 10	ND 10	ND 10	ND 10	ND 10	ND 10	ND 10
Vinyl Chloride	ND 10	ND 10	ND 10	ND 10	ND 10	ND 10	ND 10	ND 10
Chloroethane	ND 10	ND 10	ND 10	ND 10	ND 10	ND 10	ND 10	ND 10
Methylene Chloride	4J	4J	6BJ	4J	14B	6J	8J	8BJ
Acetone	3J	4J	ND 10	5J	ND 10	6J	5JB	ND 10
Carbon Disulfide	ND 10	ND 10	ND 10	ND 10	ND 10	ND 10	ND 10	ND 10
1,1-Dichloroethene	ND 10	ND 10	ND 10	ND 10	ND 10	ND 10	ND 10	ND 10
1,1-Dichloroethane	ND 10	ND 10	ND 10	ND 10	ND 10	ND 10	ND 10	ND 10
1,2-Dichloroethene (total)	ND 10	ND 10	ND 10	ND 10	ND 10	ND 10	ND 10	ND 10
Chloroform	ND 10	ND 10	ND 10	ND 10	ND 10	ND 10	ND 10	ND 10
1,2-Dichloroethane	ND 10	ND 10	ND 10	ND 10	ND 10	ND 10	ND 10	ND 10
2-Butanone	ND 10	ND 10	ND 10	ND 10	ND 10	ND 10	ND 10	ND 10
1,1,1-Trichloroethane	ND 10	ND 10	ND 10	ND 10	ND 10	ND 10	ND 10	ND 10
Carbon Tetrachloride	ND 10	ND 10	ND 10	ND 10	ND 10	ND 10	ND 10	ND 10
Bromodichloromethane	ND 10	ND 10	ND 10	ND 10	ND 10	ND 10	ND 10	ND 10
1,2-Dichloropropane	ND 10	ND 10	ND 10	ND 10	ND 10	ND 10	ND 10	ND 10
cis-1,3-Dichloropropene	ND 10	ND 10	ND 10	ND 10	ND 10	ND 10	ND 10	ND 10
Trichloroethene	ND 10	ND 10	ND 10	ND 10	ND 10	ND 10	ND 10	ND 10
Dibromochloromethane	ND 10	ND 10	ND 10	ND 10	ND 10	ND 10	ND 10	ND 10
1,1,2-Trichloroethane	ND 10	ND 10	ND 10	ND 10	ND 10	ND 10	ND 10	ND 10
Benzene	ND 10	ND 10	ND 10	ND 10	ND 10	ND 10	ND 10	ND 10
Trans-1,3-Dichloropropene	ND 10	ND 10	ND 10	ND 10	ND 10	ND 10	ND 10	ND 10
Bromoform	ND 10	ND 10	ND 10	ND 10	ND 10	ND 10	ND 10	ND 10
4-Methyl-2-pentanone	ND 10	ND 10	ND 10	ND 10	ND 10	ND 10	ND 10	ND 10
2-Hexanone	ND 10	ND 10	ND 10	ND 10	ND 10	ND 10	ND 10	ND 10
Tetrachloroethene	ND 10	ND 10	ND 10	ND 10	ND 10	ND 10	ND 10	ND 10
1,1,2,2-Tetrachloroethane	ND 10	ND 10	ND 10	ND 10	ND 10	ND 10	ND 10	ND 10
Toluene	ND 10	ND 10	ND 10	ND 10	ND 10	ND 10	ND 10	ND 10
Chlorobenzene	ND 10	ND 10	ND 10	ND 10	ND 10	ND 10	ND 10	ND 10
Ethylbenzene	ND 10	ND 10	ND 10	ND 10	ND 10	ND 10	ND 10	ND 10
Styrene	ND 10	ND 10	ND 10	ND 10	ND 10	ND 10	ND 10	ND 10
Xylene (total)	ND 10	ND 10	ND 10	ND 10	ND 10	ND 10	ND 10	ND 10
Vinyl Acetate	ND 10	ND 10	ND 10	ND 10	ND 10	ND 10	ND 10	ND 10
2-Chloroethylvinylether	ND 10	ND 10	ND 10	ND 10	ND 10	ND 10	ND 10	ND 10

Notes:

- * Data validation qualifiers have not been assigned.
- ND Non-detect at or above the associated value.
- J Associated value is estimated.
- B Compound was detected in the associated laboratory method blank.

TABLE A.3
SUMMARY OF FIELD BLANK RESULTS
LONG-TERM MONITORING PROGRAM
OCCIDENTAL CHEMICAL CORPORATION
LOVE CANAL
MAY 1995

Sample ID: Collection Date:	DI Water Rinse 05/02/95	Bailer Blank 05/09/95	Glove Rinse Blank 05/25/95	Tube Blank 06/01/95
<i>Volatiles (µg/L)</i>				
Chloromethane	ND 10	ND 10	ND 10	ND 10
Bromomethane	ND 10	ND 10	ND 10	ND 10
Vinyl Chloride	ND 10	ND 10	ND 10	ND 10
Chloroethane	ND 10	ND 10	ND 10	ND 10
Methylene Chloride	ND 10	ND 10	ND 10	ND 10
Acetone	ND 10	ND 10	ND 13	ND 10
Carbon Disulfide	ND 10	ND 10	ND 10	ND 10
1,1-Dichloroethene	ND 10	ND 10	ND 10	ND 10
1,1-Dichloroethane	ND 10	ND 10	ND 10	ND 10
1,2-Dichloroethene (total)	ND 10	ND 10	ND 10	ND 10
Chloroform	ND 10	ND 10	ND 10	12
1,2-Dichloroethane	ND 10	ND 10	ND 10	ND 10
2-Butanone	ND 10	ND 10	ND 10	ND 10
1,1,1-Trichloroethane	ND 10	ND 10	ND 10	ND 10
Carbon Tetrachloride	ND 10	ND 10	ND 10	ND 10
Bromodichloromethane	ND 10	ND 10	ND 10	ND 10
1,2-Dichloropropane	ND 10	ND 10	ND 10	ND 10
cis-1,3-Dichloropropene	ND 10	ND 10	ND 10	ND 10
Trichloroethene	ND 10	ND 10	ND 10	ND 10
Dibromochloromethane	ND 10	ND 10	ND 10	ND 10
1,1,2-Trichloroethane	ND 10	ND 10	ND 10	ND 10
Benzene	ND 10	ND 10	ND 10	ND 10
Trans-1,3-Dichloropropene	ND 10	ND 10	ND 10	ND 10
Bromoform	ND 10	ND 10	ND 10	ND 10
4-Methyl-2-pentanone	ND 10	ND 10	ND 10	ND 10
2-Hexanone	ND 10	ND 10	ND 10	ND 10
Tetrachloroethene	ND 10	ND 10	ND 10	ND 10
1,1,2,2-Tetrachloroethane	ND 10	ND 10	ND 10	ND 10
Toluene	ND 10	ND 10	ND 10	ND 10
Chlorobenzene	ND 10	ND 10	ND 10	ND 10
Ethylbenzene	ND 10	ND 10	ND 10	ND 10
Styrene	ND 10	ND 10	ND 10	ND 10
Xylene (total)	ND 10	ND 10	ND 10	ND 10
Vinyl Acetate	ND 10	ND 10	ND 10	ND 10
2-chloroethylvinylether	ND 10	ND 10	ND 10	ND 10

TABLE A.3
SUMMARY OF FIELD BLANK RESULTS
LONG-TERM MONITORING PROGRAM
OCCIDENTAL CHEMICAL CORPORATION
LOVE CANAL
MAY 1995

Sample ID: Collection Date:	DI Water Rinse 05/02/95	Bailer Blank 05/09/95	Glove Rinse Blank 05/25/95	Tube Blank 06/01/95
<i>Semi-Volatiles (µg/L)</i>				
Phenol	ND 11	ND 10	55	ND 10
bis(2-Chloroethyl)ether	ND 11	ND 10	ND 10	ND 10
2-Chlorophenol	ND 11	ND 10	ND 10	ND 10
1,3-Dichlorobenzene	ND 11	ND 10	ND 10	ND 10
1,4-Dichlorobenzene	ND 11	ND 10	ND 10	ND 10
1,2-Dichlorobenzene	ND 11	ND 10	ND 10	ND 10
2-Methylphenol	ND 11	ND 10	ND 10	ND 10
2,2'-oxybis(1-Chloropropane)	ND 11	ND 10	ND 10	ND 10
4-Methylphenol	ND 11	ND 10	ND 10	ND 10
N-Nitroso-di-n-propylamine	ND 11	ND 10	ND 10	ND 10
Hexachloroethane	ND 11	ND 10	ND 10	ND 10
Nitrobenzene	ND 11	ND 10	ND 10	ND 10
Isophorone	ND 11	ND 10	ND 10	ND 10
2-Nitrophenol	ND 11	ND 10	ND 10	ND 10
2,4-Dimethylphenol	ND 11	ND 10	ND 10	ND 10
bis(2-Chloroethoxy)methane	ND 11	ND 10	ND 10	ND 10
2,4-Dichlorophenol	ND 11	ND 10	ND 10	ND 10
1,2,4-Trichlorobenzene	ND 11	ND 10	ND 10	ND 10
Naphthalene	ND 11	ND 10	ND 10	ND 10
4-Chloroaniline	ND 11	ND 10	ND 10	ND 10
Hexachlorobutadiene	ND 11	ND 10	ND 10	ND 10
4-Chloro-3-methylphenol	ND 11	ND 10	ND 10	ND 10
2-Methylnaphthalene	ND 11	ND 10	ND 10	ND 10
Hexachlorocyclopentadiene	ND 11	ND 10	ND 10	ND 10
2,4,6-Trichlorophenol	ND 11	ND 10	ND 10	ND 10
2,4,5-Trichlorophenol	ND 26	ND 26	ND 25	ND 26
2-Chloronaphthalene	ND 11	ND 10	ND 10	ND 10
2-Nitroaniline	ND 26	ND 26	ND 25	ND 26
Dimethylphthalate	ND 11	ND 10	ND 10	ND 10
Acenaphthylene	ND 11	ND 10	ND 10	ND 10
2,6-Dinitrotoluene	ND 11	ND 10	ND 10	ND 10
3-Nitroaniline	ND 26	ND 26	ND 25	ND 26
Acenaphthene	ND 11	ND 10	ND 10	ND 10
2,4-Dinitrophenol	ND 26	ND 26	ND 25	ND 26
4-Nitrophenol	ND 26	ND 26	ND 25	ND 26
Dibenzofuran	ND 11	ND 10	ND 10	ND 10
2,4-Dinitrotoluene	ND 11	ND 10	ND 10	ND 10
Diethylphthalate	ND 11	ND 10	ND 10	ND 10
4-Chlorophenyl-phenylether	ND 11	ND 10	ND 10	ND 10
Fluorene	ND 11	ND 10	ND 10	ND 10
4-Nitroaniline	ND 26	ND 26	ND 25	ND 26
4,6-Dinitro-2-methylphenol	ND 26	ND 26	ND 25	ND 26
N-Nitrosodiphenylamine (1)	ND 11	ND 10	ND 10	ND 10
4-Bromophenyl-phenylether	ND 11	ND 10	ND 10	ND 10
Hexachlorobenzene	ND 11	ND 10	ND 10	ND 10
Pentachlorophenol	ND 26	ND 26	ND 25	ND 26
Phenanthrene	ND 11	ND 10	ND 10	ND 10
Anthracene	ND 11	ND 10	ND 10	ND 10
Di-n-butylphthalate	ND 11	ND 10	ND 10	ND 10
Fluoranthene	ND 11	ND 10	ND 10	ND 10
Pyrene	ND 11	ND 10	ND 10	ND 10
Butylbenzylphthalate	ND 11	ND 10	ND 10	ND 10
3,3'-Dichlorobenzidine	ND 11	ND 10	ND 10	ND 10
Benzo(a)anthracene	ND 11	ND 10	ND 10	ND 10
Chrysene	ND 11	ND 10	ND 10	ND 10
bis(2-Ethylhexyl)phthalate	ND 11	ND 10	ND 10	25
Di-n-octyl phthalate	ND 11	ND 10	ND 10	ND 10
Benzo(b)fluoranthene	ND 11	ND 10	ND 10	ND 10
Benzo(k)fluoranthene	ND 11	ND 10	ND 10	ND 10
Benzo(a)pyrene	ND 11	ND 10	ND 10	ND 10
Indeno(1,2,3-cd)pyrene	ND 11	ND 10	ND 10	ND 10
Dibenz(a,h)anthracene	ND 11	ND 10	ND 10	ND 10
Benzo(g,h,i)perylene	ND 11	ND 10	ND 10	ND 10
Benzyl alcohol	ND 11	ND 10	ND 10	ND 10
Benzoic acid	ND 53	ND 51	ND 50	ND 50

TABLE A.3
 SUMMARY OF FIELD BLANK RESULTS
 LONG-TERM MONITORING PROGRAM
 OCCIDENTAL CHEMICAL CORPORATION
 LOVE CANAL
 MAY 1995

Sample ID: Collection Date:	DI Water Rinse 05/02/95	Bailer Blank 05/09/95	Glove Rinse Blank 05/25/95	Tube Blank 06/01/95
<i>Pesticides/PCBs (µg/L)</i>				
Alpha-BHC	ND 0.052	ND 0.051	R	ND 0.051
Beta-BHC	ND 0.052	ND 0.051	R	ND 0.051
Delta-BHC	ND 0.052	ND 0.051	R	ND 0.051
gamma-BHC (Lindane)	ND 0.052	ND 0.051	R	ND 0.051
Heptachlor	ND 0.052	ND 0.051	R	ND 0.051
Aldrin	ND 0.052	ND 0.051	R	ND 0.051
Heptachlor epoxide	ND 0.052	ND 0.051	R	ND 0.051
Endosulfan I	ND 0.052	ND 0.051	R	ND 0.051
Dieldrin	ND 0.10	ND 0.10	R	ND 0.10
4,4'-DDE	ND 0.10	ND 0.10	R	ND 0.10
Endrin	ND 0.10	ND 0.10	R	ND 0.10
Endosulfan II	ND 0.10	ND 0.10	R	ND 0.10
4,4'-DDD	ND 0.10	ND 0.10	R	ND 0.10
Endosulfan sulfate	ND 0.10	ND 0.10	R	ND 0.10
4,4'-DDT	ND 0.10	ND 0.10	R	ND 0.10
Methoxychlor	ND 0.52	ND 0.51	R	ND 0.51
Endrin ketone	ND 0.10	ND 0.10	R	ND 0.10
Endrin aldehyde	ND 0.10	ND 0.10	R	ND 0.10
alpha-Chlordane	ND 0.052	ND 0.051	R	ND 0.051
gamma-Chlordane	ND 0.052	ND 0.051	R	ND 0.051
Toxaphene	ND 5.2	ND 5.1	R	ND 5.1
Aroclor-1016	ND 1.0	ND 1.0	R	ND 1.0
Aroclor-1221	ND 2.1	ND 2.0	R	ND 2.0
Aroclor-1232	ND 1.0	ND 1.0	R	ND 1.0
Aroclor-1242	ND 1.0	ND 1.0	R	ND 1.0
Aroclor-1248	ND 1.0	ND 1.0	R	ND 1.0
Aroclor-1254	ND 1.0	ND 1.0	R	ND 1.0
Aroclor-1260	ND 1.0	ND 1.0	R	ND 1.0

Notes:

ND Non-detect at or above the associated value.

R Data Rejected.

TENTATIVELY IDENTIFIED COMPOUNDS SUMMARY
LONG -TERM MONITORING PROGRAM
OCCIDENTAL CHEMICAL CORPORATION
LOVE CANAL
MAY 1995

<i>Sample ID:</i>	7120	7130	7132	7155	D.I. BLANK	7205	8210	9205	3257
<i>Collection Date:</i>	5/1/95	5/1/95	5/1/95	5/1/95	5/2/95	5/2/95	5/2/95	5/2/95	5/3/95
<i>Volatiles (µg/L)</i>									
Chloromethylbenzene	-	-	-	-	-	-	-	-	-
Dichloromethylbenzene Isomer 1	-	-	-	-	-	-	-	-	-
Dichloromethylbenzene Isomer 2	-	-	-	-	-	-	-	-	-
Dimethyldisulfide	-	-	-	-	-	-	-	-	-
Dimethylsulfide	-	-	-	-	-	-	-	-	-
Unknown 1	-	-	-	-	-	-	-	-	-
Unknown 2	-	-	-	-	-	-	-	-	-
Unknown 3	-	-	-	-	-	-	-	-	-
Unknown 4	-	-	-	-	-	-	-	-	-
Unknown 5	-	-	-	-	-	-	-	-	-
<i>Semi-Volatiles (µg/L)</i>									
2-Ethylhexanoic Acid	-	-	-	-	-	-	-	-	-
Acetophenone	-	-	-	-	-	-	-	-	-
Alkane 1	-	-	-	-	-	-	-	-	-
Alkane 2	-	-	-	-	-	-	-	-	-
Alkane 3	-	-	-	-	-	-	-	-	-
Aromatic	-	-	-	-	-	-	-	-	-
Benzeneacetic Acid	-	-	-	-	-	-	-	-	-
Chlorobenzoic Acid Isomer 1	-	-	-	-	-	-	-	-	-
Chlorobenzoic Acid Isomer 2	-	-	-	-	-	-	-	-	-
Chlorobenzoic Acid Isomer 3	-	-	-	-	-	-	-	-	-
Chloromethylbenzene Isomer 1	-	-	-	-	-	-	-	-	-
Chloromethylbenzene Isomer 2	-	-	-	-	-	-	-	-	-
Chlorotoluene	-	-	-	-	-	-	-	-	-
Cyclohexanol	-	-	-	-	-	-	-	-	-
Dimethyltetrasulphide	-	-	-	-	-	-	-	-	-
Dimethyltrisulfide	-	-	-	-	-	-	-	-	-
Isobenzofuranone	-	-	-	-	-	-	-	-	-
Lenthionine	-	-	-	-	-	-	-	-	-
Methylbenzenesulfonamide	-	-	-	-	-	-	-	-	4 J
Methylstyrene	-	-	-	-	-	-	-	-	-
Molecular Sulfur	-	-	-	-	-	-	-	-	-
Organic Acid 1	-	-	-	-	-	-	-	-	-
Organic Acid 2	-	-	-	-	-	-	-	-	-
Organic Acid 3	-	-	-	-	-	-	-	-	-
Organic Acid 4	-	-	-	-	-	-	-	-	-
Organic Acid 5	-	-	-	-	-	-	-	-	-
Organic Acid 6	-	-	-	-	-	-	-	-	-
Phthalate 1	-	-	-	-	-	-	-	-	-
Phthalate 2	-	-	-	-	-	-	-	-	-
Phthalate 3	-	-	-	-	-	-	-	-	-
Phthalate 4	-	-	-	-	-	-	-	-	-
Phthalate 5	-	-	-	-	-	-	-	-	-
Phthalate 6	-	-	-	-	-	-	-	-	-
Phthalate 7	-	-	-	-	-	-	-	-	-
Phthalate 8	-	-	-	-	-	-	-	-	-
Phthalate 9	-	-	-	-	-	-	-	-	-
Phthalate 10	-	-	-	-	-	-	-	-	-
Phthalate 11	-	-	-	-	-	-	-	-	-
Phthalate 12	-	-	-	-	-	-	-	-	-
Phthalate 13	-	-	-	-	-	-	-	-	-
Sulfur	-	-	-	-	-	-	-	500 J	-
Trifluoromethylchlorobenzene	-	-	-	-	-	-	-	-	-
Unknown 1	20 J	-	5 J	-	10 J	5 J	7 J	10 J	-
Unknown 2	-	-	-	-	-	-	-	-	-
Unknown 3	-	-	-	-	-	-	-	-	-
Unknown 4	-	-	-	-	-	-	-	-	-
Unknown 5	-	-	-	-	-	-	-	-	-
Unknown 6	-	-	-	-	-	-	-	3 J	-
Unknown 7	-	-	-	-	-	-	-	-	-
Unknown 8	-	-	-	-	-	-	-	-	-
Unknown 9	-	-	-	-	-	-	-	-	-

TENTATIVELY IDENTIFIED COMPOUNDS SUMMARY
LONG-TERM MONITORING PROGRAM
OCCIDENTAL CHEMICAL CORPORATION
LOVE CANAL
MAY 1995

<i>Sample ID:</i>	12010	3151	7161	5222	8110	8120	8130	8140	9110	9115
<i>Collection Date:</i>	5/3/95	5/3/95	5/3/95	5/4/95	5/4/95	5/4/95	5/5/95	5/5/95	5/5/95	5/8/95
<i>Volatiles (µg/L)</i>										
Chloromethylbenzene	-	-	-	-	-	-	-	-	-	-
Dichloromethylbenzene Isomer 1	-	-	-	-	-	-	-	-	-	-
Dichloromethylbenzene Isomer 2	-	-	-	-	-	-	-	-	-	-
Dimethyldisulfide	-	-	-	-	-	-	-	-	-	-
Dimethylsulfide	-	-	-	-	-	-	-	-	-	-
Unknown 1	-	-	-	-	-	-	-	-	-	-
Unknown 2	-	-	-	-	-	-	-	-	-	-
Unknown 3	-	-	-	-	-	-	-	-	-	-
Unknown 4	-	-	-	-	-	-	-	-	-	-
Unknown 5	-	-	-	-	-	-	-	-	-	-
<i>Semi-Volatiles (µg/L)</i>										
2-Ethylhexanoic Acid	-	-	-	-	-	-	-	-	-	-
Acetophenone	-	-	-	-	-	-	-	-	-	-
Alkane 1	-	-	-	-	-	-	-	-	-	-
Alkane 2	-	-	-	-	-	-	-	-	-	-
Alkane 3	-	-	-	-	-	-	-	-	-	-
Aromatic	-	-	-	-	-	-	-	-	-	-
Benzenoacetic Acid	-	-	-	-	-	-	-	-	-	-
Chlorobenzoic Acid Isomer 1	-	-	-	-	-	-	-	-	-	-
Chlorobenzoic Acid Isomer 2	-	-	-	-	-	-	-	-	-	-
Chlorobenzoic Acid Isomer 3	-	-	-	-	-	-	-	-	-	-
Chloromethylbenzene Isomer 1	-	-	-	-	-	-	-	-	-	-
Chloromethylbenzene Isomer 2	-	-	-	-	-	-	-	-	-	-
Chlorotoluene	-	-	-	3J	-	-	-	-	-	-
Cyclohexanol	4J	-	-	-	-	-	-	-	-	-
Dimethyltetrasulphide	-	-	-	-	-	-	-	-	-	-
Dimethyltrisulfide	-	-	-	-	-	-	-	-	-	-
Isobenzofuranone	-	-	-	-	-	-	-	-	-	-
Lenthionine	-	-	-	-	-	-	-	-	-	-
Methylbenzenesulfonamide	3J	-	-	-	-	-	-	-	-	-
Methylstyrene	3J	-	-	-	-	-	-	-	-	-
Molecular Sulfur	-	-	-	-	-	-	-	-	-	-
Organic Acid 1	-	-	-	-	-	-	-	-	-	-
Organic Acid 2	-	-	-	-	-	-	-	-	-	-
Organic Acid 3	-	-	-	-	-	3J	-	-	-	-
Organic Acid 4	-	-	-	-	-	-	-	-	-	-
Organic Acid 5	-	-	-	-	-	-	-	-	-	-
Organic Acid 6	2J	-	-	-	-	-	-	-	-	-
Phthalate 1	-	-	-	-	-	-	-	-	-	-
Phthalate 2	-	-	-	-	-	-	-	-	-	-
Phthalate 3	-	-	-	-	-	-	-	-	-	-
Phthalate 4	-	-	-	-	-	-	-	-	-	-
Phthalate 5	-	-	-	-	-	-	-	-	-	-
Phthalate 6	-	-	-	-	-	-	-	-	-	-
Phthalate 7	-	-	-	-	-	-	-	-	-	-
Phthalate 8	-	-	-	-	-	-	-	-	-	-
Phthalate 9	-	-	-	-	-	-	-	-	-	-
Phthalate 10	-	-	-	-	-	-	-	-	-	-
Phthalate 11	-	-	-	-	-	-	-	-	-	-
Phthalate 12	-	-	-	-	-	-	-	-	-	-
Phthalate 13	-	-	-	-	-	-	-	-	-	-
Sulfur	-	-	-	-	-	-	-	-	-	-
Trifluoromethylchlorobenzene	-	-	-	3J	-	-	-	-	-	-
Unknown 1	-	-	-	-	-	-	-	-	-	-
Unknown 2	-	-	-	-	-	-	-	-	-	-
Unknown 3	-	-	-	-	-	-	-	-	-	-
Unknown 4	-	-	-	-	-	-	-	-	-	-
Unknown 5	-	-	-	-	-	-	-	-	-	-
Unknown 6	-	-	-	2J	-	-	-	-	-	-
Unknown 7	-	-	-	-	-	-	-	-	-	-
Unknown 8	-	-	-	-	-	-	-	-	-	-
Unknown 9	-	-	-	-	-	-	-	-	-	-

TENTATIVELY IDENTIFIED COMPOUNDS SUMMARY
LONG-TERM MONITORING PROGRAM
OCCIDENTAL CHEMICAL CORPORATION
LOVE CANAL
MAY 1995

<i>Sample ID:</i>	9118	10272	12015	10278	BAILER BLANK	9120	9125	9140	10113
<i>Collection Date:</i>	5/8/95	5/8/95	5/8/95	5/9/95	5/9/95	5/12/95	5/12/95	5/12/95	5/12/95
<i>Volatiles (µg/L)</i>									
Chloromethylbenzene	-	-	-	-	-	-	-	-	-
Dichloromethylbenzene Isomer 1	-	-	-	-	-	-	-	-	-
Dichloromethylbenzene Isomer 2	-	-	-	-	-	-	-	-	-
Dimethyldisulfide	-	-	-	-	-	-	-	-	-
Dimethylsulfide	-	-	-	-	-	-	-	-	-
Unknown 1	-	-	-	-	-	-	-	-	-
Unknown 2	-	-	-	-	-	10 J	-	30 J	-
Unknown 3	-	-	-	-	-	-	-	-	-
Unknown 4	-	-	-	-	-	-	-	-	-
Unknown 5	-	-	-	-	-	-	-	-	-
<i>Semi-Volatiles (µg/L)</i>									
2-Ethylhexanoic Acid	-	-	-	-	-	-	-	-	-
Acetophenone	-	-	-	-	-	-	-	-	-
Alkane 1	-	-	-	-	-	-	-	-	-
Alkane 2	-	-	-	-	-	-	-	-	-
Alkane 3	-	-	-	-	-	-	-	-	-
Aromatic	-	-	-	-	-	-	-	-	-
Benzeneacetic Acid	-	-	-	-	-	-	-	-	-
Chlorobenzoic Acid Isomer 1	-	-	-	-	-	-	-	-	-
Chlorobenzoic Acid Isomer 2	-	-	-	-	-	-	-	-	-
Chlorobenzoic Acid Isomer 3	-	-	-	-	-	-	-	-	-
Chloromethylbenzene Isomer 1	-	-	-	-	-	-	-	-	-
Chloromethylbenzene Isomer 2	-	-	-	-	-	-	-	-	-
Chlorotoluene	-	-	-	-	-	-	-	-	-
Cyclohexanol	-	-	-	-	3 J	-	-	-	-
Dimethyltetrasulphide	-	-	-	-	-	-	-	-	-
Dimethyltrisulfide	-	-	-	-	-	-	-	-	-
Isobenzofuranone	-	-	-	-	-	-	-	-	-
Lenthionine	-	-	-	-	-	-	-	-	-
Methylbenzenesulfonamide	-	-	-	-	-	-	-	7 J	-
Methylstyrene	-	-	-	-	-	-	-	-	-
Molecular Sulfur	-	-	-	-	-	-	-	-	-
Organic Acid 1	-	-	-	-	-	-	-	-	-
Organic Acid 2	-	-	-	-	-	-	-	-	-
Organic Acid 3	-	-	-	-	-	-	-	-	-
Organic Acid 4	-	-	-	-	-	-	-	-	-
Organic Acid 5	-	-	-	-	-	-	-	-	-
Organic Acid 6	-	-	-	-	-	-	-	-	-
Phthalate 1	-	-	-	-	-	-	-	-	-
Phthalate 2	-	-	-	-	-	-	-	-	-
Phthalate 3	-	-	-	-	-	-	-	-	-
Phthalate 4	-	-	-	-	-	-	-	-	-
Phthalate 5	-	-	-	-	-	-	-	-	-
Phthalate 6	-	-	-	-	-	-	-	-	-
Phthalate 7	-	-	-	-	-	-	-	-	-
Phthalate 8	-	-	-	-	-	-	-	-	-
Phthalate 9	-	-	-	-	-	-	-	-	-
Phthalate 10	-	-	-	-	-	-	-	-	-
Phthalate 11	-	-	-	-	-	-	-	-	-
Phthalate 12	-	-	-	-	-	-	-	-	-
Phthalate 13	-	-	-	-	-	-	-	-	-
Sulfur	-	-	-	-	-	-	-	-	-
Trifluoromethylchlorobenzene	-	-	-	-	-	-	-	-	-
Unknown 1	-	-	-	-	-	-	-	-	-
Unknown 2	-	-	-	-	-	-	-	-	-
Unknown 3	-	-	-	-	-	-	-	-	-
Unknown 4	-	-	-	-	-	-	-	-	-
Unknown 5	-	-	-	-	-	-	-	-	-
Unknown 6	-	-	-	-	-	-	-	-	-
Unknown 7	-	-	-	-	-	-	-	-	-
Unknown 8	-	-	-	-	-	-	-	-	-
Unknown 9	-	-	-	-	-	-	-	-	-

TENTATIVELY IDENTIFIED COMPOUNDS SUMMARY
LONG-TERM MONITORING PROGRAM
OCCIDENTAL CHEMICAL CORPORATION
LOVE CANAL
MAY 1995

Sample ID:	9210	10205	10215	6209	1151A	10174B	10147	12020	GLOVE RINSE
Collection Date:	5/16/95	5/16/95	5/16/95	5/17/95	5/17/95	5/17/95	5/17/95	5/17/95	5/25/95
<i>Volatiles (µg/L)</i>									
Chloromethylbenzene	-	-	-	-	-	-	-	-	-
Dichloromethylbenzene Isomer 1	-	-	-	-	-	-	-	-	-
Dichloromethylbenzene Isomer 2	-	-	-	-	-	-	-	-	-
Dimethyldisulfide	-	-	-	-	-	-	-	-	-
Dimethylsulfide	-	-	-	-	-	-	-	-	-
Unknown 1	-	-	-	-	-	-	-	-	-
Unknown 2	-	-	-	-	-	-	-	-	-
Unknown 3	-	-	-	-	-	-	-	-	-
Unknown 4	-	-	-	-	-	-	-	-	-
Unknown 5	-	-	-	-	-	-	-	-	-
<i>Semi-Volatiles (µg/L)</i>									
2-Ethylhexanoic Acid	-	-	-	-	-	-	-	-	80 J
Acetophenone	-	-	-	-	-	-	-	-	-
Alkane 1	-	-	-	-	3 J	20 J	20 J	-	4 J
Alkane 2	-	-	-	-	-	-	10 J	-	-
Alkane 3	-	-	-	-	-	10 J	2 J	-	-
Aromatic	-	-	-	-	-	-	-	-	-
Benzeneacetic Acid	-	-	-	-	-	-	-	-	-
Chlorobenzoic Acid Isomer 1	-	-	-	-	-	-	-	-	-
Chlorobenzoic Acid Isomer 2	-	-	-	-	-	-	-	-	-
Chlorobenzoic Acid Isomer 3	-	-	-	-	-	-	-	-	-
Chloromethylbenzene Isomer 1	-	-	-	-	-	-	-	-	-
Chloromethylbenzene Isomer 2	-	-	-	-	-	-	-	-	-
Chlorotoluene	-	-	-	-	-	-	-	-	-
Cyclohexanol	-	-	-	-	-	-	-	-	-
Dimethyltetrasulphide	-	-	-	-	-	-	-	-	-
Dimethyltrisulfide	-	-	-	-	-	-	-	-	-
Isobenzofuranone	-	-	-	-	-	-	-	-	-
Lenthionine	-	-	-	-	-	-	-	-	-
Methylbenzenesulfonamide	-	-	-	-	-	-	-	-	-
Methylstyrene	-	-	-	-	-	-	-	-	-
Molecular Sulfur	-	-	-	-	-	-	-	-	-
Organic Acid 1	-	-	-	-	-	-	-	-	-
Organic Acid 2	-	-	-	-	-	-	-	-	-
Organic Acid 3	-	-	-	-	-	-	-	-	-
Organic Acid 4	-	-	-	-	-	-	-	-	-
Organic Acid 5	-	-	-	-	-	-	-	-	-
Organic Acid 6	-	-	-	-	-	-	-	-	-
Phthalate 1	-	-	-	-	-	-	-	-	4 J
Phthalate 2	-	-	-	-	-	-	-	-	3 J
Phthalate 3	-	-	-	-	-	-	-	-	2 J
Phthalate 4	-	-	-	-	-	-	-	-	20 J
Phthalate 5	-	-	-	-	-	-	-	-	2 J
Phthalate 6	-	-	-	-	-	-	-	-	4 J
Phthalate 7	-	-	-	-	-	-	-	-	10 J
Phthalate 8	-	-	-	-	-	-	-	-	5 J
Phthalate 9	-	-	-	-	-	-	-	-	6 J
Phthalate 10	-	-	-	-	-	-	-	-	6 J
Phthalate 11	-	-	-	-	-	-	-	-	6 J
Phthalate 12	-	-	-	-	-	-	-	-	6 J
Phthalate 13	-	-	-	-	-	-	-	-	4 J
Sulfur	200 J	100 J	-	-	-	-	-	200 J	-
Trifluoromethylchlorobenzene	-	-	-	-	-	-	-	-	-
Unknown 1	-	-	-	-	-	-	-	-	-
Unknown 2	-	-	-	-	-	-	-	-	-
Unknown 3	-	-	-	-	-	-	-	-	-
Unknown 4	-	-	-	-	-	-	3 J	3 J	-
Unknown 5	-	-	-	-	-	-	-	-	-
Unknown 6	-	-	-	-	-	-	-	-	-
Unknown 7	-	-	-	-	-	-	-	-	-
Unknown 8	-	-	-	-	-	-	-	-	-
Unknown 9	-	-	-	-	-	-	-	-	-

TENTATIVELY IDENTIFIED COMPOUNDS SUMMARY
LONG-TERM MONITORING PROGRAM
OCCIDENTAL CHEMICAL CORPORATION
LOVE CANAL
MAY 1995

<i>Sample ID:</i>	10210A	10225A	10225B	12510	10210B	10210C	10225C	10135	TUBE BLANK
<i>Collection Date:</i>	5/25/95	5/26/95	5/26/95	5/26/95	6/1/95	6/1/95	6/1/95	6/1/95	6/1/95
<i>Volatiles (µg/L)</i>									
Chloromethylbenzene	-	-	-	-	-	-	6J	-	-
Dichloromethylbenzene Isomer 1	-	-	-	-	-	-	-	40J	-
Dichloromethylbenzene Isomer 2	-	-	-	-	-	-	-	9J	-
Dimethyldisulfide	60J	50J	-	-	-	-	-	-	-
Dimethylsulfide	300J	400J	20J	20J	-	-	-	-	-
Unknown 1	200J	200J	50J	50J	-	-	-	-	-
Unknown 2	-	-	-	-	-	-	-	-	-
Unknown 3	-	8J	-	-	-	-	-	-	-
Unknown 4	-	-	-	-	-	-	-	200J	-
Unknown 5	-	-	-	-	-	-	-	100J	-
<i>Semi-Volatiles (µg/L)</i>									
2-Ethylhexanoic Acid	-	-	-	-	-	-	-	-	-
Acetophenone	-	-	-	-	-	3J	-	-	-
Alkane 1	-	-	-	-	-	-	-	-	-
Alkane 2	-	-	-	-	-	-	-	-	-
Alkane 3	-	-	-	-	-	-	-	-	-
Aromatic	2J	-	-	-	-	-	-	-	-
Benzeneacetic Acid	-	-	-	-	3J	-	-	80J	-
Chlorobenzoic Acid Isomer 1	-	-	-	-	-	-	-	3000J	-
Chlorobenzoic Acid Isomer 2	-	-	-	-	-	-	-	900J	-
Chlorobenzoic Acid Isomer 3	-	-	-	-	-	-	-	4000J	-
Chloromethylbenzene Isomer 1	-	-	-	-	-	-	-	3000J	-
Chloromethylbenzene Isomer 2	-	-	-	-	-	-	-	2000J	-
Chlorotoluene	-	-	-	-	-	-	-	-	-
Cyclohexanol	-	-	-	-	-	-	-	-	-
Dimethyltetrasulphide	20J	-	-	-	-	-	-	-	-
Dimethyltrisulfide	40J	60J	-	-	-	-	-	-	-
Isobenzofuranone	6J	-	-	-	-	-	-	-	-
Lenthionine	3J	-	-	-	-	-	-	-	-
Methylbenzenesulfonamide	-	-	-	-	-	-	-	-	-
Methylstyrene	-	-	-	-	-	-	-	-	-
Molecular Sulfur	J	J	J	J	-	-	-	-	-
Organic Acid 1	-	-	-	-	4J	-	-	-	-
Organic Acid 2	-	-	-	-	10J	4J	-	-	-
Organic Acid 3	-	-	-	-	-	2J	-	-	-
Organic Acid 4	-	-	-	-	5J	3J	3J	-	3J
Organic Acid 5	-	-	-	-	3J	-	-	-	-
Organic Acid 6	-	-	-	-	4J	-	-	-	-
Phthalate 1	-	-	-	-	-	-	-	-	-
Phthalate 2	-	-	-	-	-	-	-	-	-
Phthalate 3	-	-	-	-	-	-	-	-	-
Phthalate 4	-	-	-	-	-	-	-	-	-
Phthalate 5	-	-	-	-	-	-	-	-	-
Phthalate 6	-	-	-	-	-	-	-	-	-
Phthalate 7	-	-	-	-	-	-	-	-	-
Phthalate 8	-	-	-	-	-	-	-	-	-
Phthalate 9	-	-	-	-	-	-	-	-	-
Phthalate 10	-	-	-	-	-	-	-	-	-
Phthalate 11	-	-	-	-	-	-	-	-	-
Phthalate 12	-	-	-	-	-	-	-	-	-
Phthalate 13	-	-	-	-	-	-	-	-	-
Sulfur	-	-	-	-	-	-	-	-	-
Trifluoromethylchlorobenzene	-	-	-	-	-	-	-	-	-
Unknown 1	-	4J	-	-	-	-	-	-	-
Unknown 2	-	-	-	-	-	-	6J	900J	3J
Unknown 3	-	-	-	-	10J	3J	-	90J	2J
Unknown 4	-	-	-	-	-	-	-	100J	-
Unknown 5	-	-	-	2J	-	-	-	100J	-
Unknown 6	3J	9J	5J	-	-	2J	-	-	-
Unknown 7	-	-	-	-	-	-	-	40J	-
Unknown 8	-	-	-	-	-	-	-	400J	-
Unknown 9	-	10J	-	-	10J	3J	-	-	-

TENTATIVELY IDENTIFIED COMPOUNDS SUMMARY
 LONG-TERM MONITORING PROGRAM
 OCCIDENTAL CHEMICAL CORPORATION
 LOVE CANAL
 MAY 1995

Sample ID:	7120	7130	7132	7155	D.I. BLANK	7205	8210	9205	3257
Collection Date:	5/1/95	5/1/95	5/1/95	5/1/95	5/2/95	5/2/95	5/2/95	5/2/95	5/3/95
<i>Semi-Volatiles (µg/L)</i>									
Unknown 10	-	-	-	-	-	-	-	-	-
Unknown 11	-	-	-	-	-	-	-	-	-
Unknown 12	-	-	5J	-	-	-	3J	-	-
Unknown 13	-	-	-	-	-	-	-	-	-
Unknown 14	-	-	-	-	-	-	-	-	-
Unknown 15	-	-	-	-	-	-	-	-	-
Unknown 16	-	-	-	-	-	-	-	-	-
Unknown 17	-	-	-	-	-	-	-	-	-
Unknown 18	-	-	-	-	-	-	-	-	-
Unknown 19	-	-	-	-	-	-	-	-	-
Unknown 20	-	-	-	-	-	-	-	-	-
Unknown 21	-	-	-	-	2J	-	-	-	-
Unknown 22	-	-	-	-	-	-	-	-	-
Unknown 23	-	-	-	-	-	-	-	-	-
Unknown 24	-	-	-	-	-	-	-	-	-
Unknown 25	-	-	-	-	-	-	-	-	-
Unknown 26	-	3J	-	-	-	-	-	-	-
Unknown 27	-	-	-	-	-	-	-	-	8J
Unknown 28	-	-	-	-	-	-	-	-	-
Unknown 29	-	-	-	-	-	-	-	-	-
Unknown 30	-	-	-	-	-	-	-	-	-
Unknown 31	-	-	-	-	-	-	-	-	-
Unknown 32	-	-	-	-	-	-	-	-	-
Unknown 33	-	-	-	-	-	-	-	-	-
Unknown 34	-	-	-	-	-	-	-	-	-
Unknown 35	-	-	-	-	-	-	-	-	-
Unknown chlorophenol	-	-	-	-	-	-	-	-	-
Vanillin	-	-	-	-	-	-	-	-	-

Notes:

J Associated value is estimated.

TENTATIVELY IDENTIFIED COMPOUNDS SUMMARY
LONG-TERM MONITORING PROGRAM
OCCIDENTAL CHEMICAL CORPORATION
LOVE CANAL
MAY 1995

<i>Sample ID:</i>	12010	3151	7161	5222	8110	8120	8130	8140	9110	9115
<i>Collection Date:</i>	5/3/95	5/3/95	5/3/95	5/4/95	5/4/95	5/4/95	5/5/95	5/5/95	5/5/95	5/8/95
<i>Semi-Volatiles (µg/L)</i>										
Unknown 10	-	-	-	-	-	-	-	-	-	-
Unknown 11	-	-	-	-	-	-	-	-	-	-
Unknown 12	-	-	-	-	-	-	-	-	-	-
Unknown 13	-	-	-	-	-	-	-	-	-	-
Unknown 14	-	-	-	-	-	-	-	-	-	-
Unknown 15	-	-	-	-	-	-	-	3J	-	-
Unknown 16	-	-	-	-	-	-	-	-	-	-
Unknown 17	-	-	-	-	-	-	-	-	-	-
Unknown 18	-	-	-	-	-	-	-	-	-	-
Unknown 19	-	-	-	-	-	-	-	-	-	-
Unknown 20	-	-	-	-	-	-	-	-	-	-
Unknown 21	-	-	-	-	-	-	-	-	-	-
Unknown 22	-	-	-	-	-	-	-	-	-	-
Unknown 23	-	-	-	-	-	-	-	-	-	-
Unknown 24	-	-	-	-	-	-	-	-	-	-
Unknown 25	-	-	-	-	-	-	-	-	-	-
Unknown 26	-	-	-	2J	-	-	-	-	-	-
Unknown 27	-	-	-	-	-	-	-	-	-	-
Unknown 28	-	-	-	2J	-	-	-	-	-	-
Unknown 29	-	-	-	-	-	-	-	-	-	-
Unknown 30	-	-	-	-	-	-	-	-	-	-
Unknown 31	-	-	-	-	-	-	-	-	-	-
Unknown 32	-	7J	7J	-	-	-	-	-	-	-
Unknown 33	4J	5J	-	-	-	-	3J	-	-	-
Unknown 34	-	-	-	-	-	-	-	-	-	-
Unknown 35	-	-	-	-	-	-	-	-	-	-
Unknown chlorophenol	-	-	-	-	-	-	-	-	-	-
Vanillin	-	-	-	-	-	-	-	-	-	-

Notes:

J Associated value is estimated.

TENTATIVELY IDENTIFIED COMPOUNDS SUMMARY
 LONG-TERM MONITORING PROGRAM
 OCCIDENTAL CHEMICAL CORPORATION
 LOVE CANAL
 MAY 1995

<i>Sample ID:</i>	9118	10272	12015	10278	BAILER BLANK	9120	9125	9140	10113
<i>Collection Date:</i>	5/8/95	5/8/95	5/8/95	5/9/95	5/9/95	5/12/95	5/12/95	5/12/95	5/12/95
<i>Semi-Volatiles (µg/L)</i>									
Unknown 10	-	-	-	-	-	-	-	-	-
Unknown 11	-	-	-	-	-	-	-	-	-
Unknown 12	-	-	-	-	-	-	-	-	-
Unknown 13	-	-	-	-	-	-	-	-	-
Unknown 14	-	-	-	-	-	-	-	-	-
Unknown 15	-	-	-	-	-	-	-	-	-
Unknown 16	-	-	-	-	-	-	-	-	-
Unknown 17	-	-	-	-	-	-	-	-	-
Unknown 18	-	-	-	-	-	-	-	-	-
Unknown 19	-	-	-	-	-	-	-	-	-
Unknown 20	-	-	-	-	-	-	-	-	-
Unknown 21	-	-	-	-	-	-	-	-	-
Unknown 22	-	-	-	-	-	-	-	-	-
Unknown 23	-	-	-	-	-	-	-	-	-
Unknown 24	-	-	-	-	-	-	-	-	-
Unknown 25	-	-	-	-	-	-	-	-	-
Unknown 26	-	-	-	-	-	-	-	-	-
Unknown 27	-	-	-	-	-	-	-	-	-
Unknown 28	-	-	-	-	-	-	-	-	-
Unknown 29	-	-	-	-	-	2J	-	-	-
Unknown 30	-	-	-	-	-	-	-	-	-
Unknown 31	-	-	-	-	-	-	-	-	-
Unknown 32	-	-	-	-	-	-	-	-	-
Unknown 33	-	-	-	-	-	2J	-	-	-
Unknown 34	-	-	-	-	-	-	-	-	-
Unknown 35	-	-	-	-	-	-	-	-	-
Unknown chlorophenol	-	-	-	-	-	-	-	-	-
Vanillin	-	-	-	-	-	-	-	-	-

Notes:

J Associated value is estimated.

TENTATIVELY IDENTIFIED COMPOUNDS SUMMARY
LONG-TERM MONITORING PROGRAM
OCCIDENTAL CHEMICAL CORPORATION
LOVE CANAL
MAY 1995

<i>Sample ID:</i>	9210	10205	10215	6209	1151A	10174B	10147	12020	GLOVE RINSE
<i>Collection Date:</i>	5/16/95	5/16/95	5/16/95	5/17/95	5/17/95	5/17/95	5/17/95	5/17/95	5/25/95
<i>Semi-Volatiles (µg/L)</i>									
Unknown 10	-	-	-	-	-	-	-	-	2J
Unknown 11	-	-	-	-	-	-	-	-	3J
Unknown 12	-	-	-	-	-	-	-	-	-
Unknown 13	-	-	-	-	-	-	-	-	-
Unknown 14	-	-	-	-	-	-	-	-	-
Unknown 15	-	-	-	-	-	-	-	-	2J
Unknown 16	4J	5J	-	-	-	-	-	-	80J
Unknown 17	-	-	-	-	-	-	-	-	-
Unknown 18	-	-	-	-	-	-	-	-	-
Unknown 19	-	-	-	-	-	-	-	-	-
Unknown 20	-	-	-	-	-	-	-	-	-
Unknown 21	-	3J	-	-	-	3J	-	-	50J
Unknown 22	-	-	-	-	-	-	-	-	-
Unknown 23	-	-	-	-	-	-	-	-	10J
Unknown 24	-	-	-	-	-	-	-	4J	-
Unknown 25	-	-	-	-	-	-	-	10J	-
Unknown 26	-	3J	-	7J	-	-	-	-	-
Unknown 27	-	-	-	-	-	-	-	-	-
Unknown 28	-	-	-	-	-	-	-	-	-
Unknown 29	-	-	-	-	-	-	-	3J	-
Unknown 30	-	-	-	-	-	-	-	-	-
Unknown 31	-	-	-	-	-	-	-	-	2J
Unknown 32	-	-	-	-	-	-	-	-	-
Unknown 33	-	-	-	-	-	-	-	-	-
Unknown 34	-	-	-	-	-	-	-	-	-
Unknown 35	-	-	-	-	-	-	-	-	-
Unknown chlorophenol	-	-	-	-	-	-	-	-	-
Vanillin	-	-	-	-	-	-	-	-	-

Notes:

J Associated value is estimated.

TENTATIVELY IDENTIFIED COMPOUNDS SUMMARY
 LONG-TERM MONITORING PROGRAM
 OCCIDENTAL CHEMICAL CORPORATION
 LOVE CANAL
 MAY 1995

	Sample ID:	10210A	10225A	10225B	12510	10210B	10210C	10225C	10135	TUBE BLANK
	Collection Date:	5/25/95	5/26/95	5/26/95	5/26/95	6/1/95	6/1/95	6/1/95	6/1/95	6/1/95
<i>Semi-Volatiles (µg/L)</i>										
Unknown 10	-	-	-	-	-	-	-	-	-	-
Unknown 11	-	-	-	-	-	-	-	-	-	-
Unknown 12	-	-	-	-	-	-	3J	-	50J	-
Unknown 13	-	-	-	-	-	-	-	-	300J	-
Unknown 14	-	-	-	-	-	3J	-	-	-	-
Unknown 15	-	-	-	-	-	5J	-	-	-	-
Unknown 16	-	-	-	-	3J	-	-	-	40J	-
Unknown 17	6J	7J	4J	-	-	-	-	4J	100J	-
Unknown 18	-	-	-	4J	-	-	-	-	200J	-
Unknown 19	-	-	-	-	-	-	-	-	40J	-
Unknown 20	-	-	-	-	-	5J	-	-	30J	-
Unknown 21	-	-	-	3J	-	-	3J	-	30J	-
Unknown 22	-	-	3J	-	-	-	-	-	-	-
Unknown 23	-	-	-	-	-	-	-	-	-	-
Unknown 24	-	-	-	-	-	-	-	-	-	-
Unknown 25	-	-	-	-	-	-	-	-	-	-
Unknown 26	-	-	-	4J	10J	-	-	-	-	-
Unknown 27	-	-	-	4J	5J	8J	-	-	-	-
Unknown 28	-	-	-	-	-	-	-	-	-	-
Unknown 29	-	-	-	-	-	-	-	-	-	-
Unknown 30	-	-	-	-	10J	-	-	-	-	-
Unknown 31	-	-	-	-	-	-	-	-	-	-
Unknown 32	-	-	-	-	-	-	-	-	-	-
Unknown 33	-	-	-	-	-	-	-	-	-	-
Unknown 34	-	-	-	-	10J	-	-	-	-	-
Unknown 35	-	10J	-	-	-	-	-	-	-	-
Unknown chlorophenol	-	-	-	-	-	-	-	-	2000J	-
Vanillin	-	-	-	-	3J	-	-	-	-	-

Notes:

J Associated value is estimated.

APPENDIX B

WATER LEVEL MEASUREMENTS

TABLE B.1
QUARTERLY WATER LEVELS - APRIL 1995
LOVE CANAL
OCCIDENTAL CHEMICAL CORPORATION

<i>Well/Piezometer Identification #</i>	<i>Monitored Zone</i>	<i>Top of Riser Elevation</i>	<i>Depth to Water</i>	<i>Water Level Elevation</i>
1170A	A	584.68	21.70	562.98
1170B	B	584.56	22.97	561.59
1171A	A	583.37	17.88	565.49
1171B	B	583.63	20.64	562.99
1171C	C	583.26	21.00	562.26
1172A	A	581.73	15.31	566.42
1172B	B	581.78	12.40	569.38
1172C	C	581.77	12.61	569.16
1173A	A	578.14	9.65	568.49
1173B	B	578.36	8.81	569.55
1173C	C	578.45	7.13	571.32
1173D	D	578.60	7.15	571.45
1174A	A	577.77	5.21	572.56
1174B	B	577.73	2.86	574.87
1174C	C	578.14	2.57	575.57
1174D	D	577.78	1.93	575.85
1180A	A	582.59	19.07	563.52
1180B	B	582.47	20.98	561.49
1180C	C	583.27	DRY	NA
1181A	A	576.81	9.21	567.60
1181B	B	577.15	9.76	567.39
1181C	C	577.07	7.10	569.97
1190A	A	586.53	21.13	565.40
1190B	B	586.22	22.03	564.19
1191A	A	584.91	17.90	567.01
1191B	B	584.90	18.80	566.10
1191C	B	585.18	20.50	564.68
1192A	A	583.43	19.10	564.33
1192B	B	583.46	14.64	568.82
1192C	C	583.85	13.71	570.14
1193A	A	579.97	14.12	565.85
1193B	B	579.45	10.55	568.90
1193C	C	579.60	8.57	571.03
1193D	D	579.60	7.79	571.81
1194A	A	578.40	13.97	564.43
1194B	B	578.03	8.08	569.95
1194C	B	578.56	5.20	573.36
1194D	C	578.54	4.56	573.98

TABLE B.1
QUARTERLY WATER LEVELS - APRIL 1995
LOVE CANAL
OCCIDENTAL CHEMICAL CORPORATION

<i>Well/Piezometer Identification #</i>	<i>Monitored Zone</i>	<i>Top of Riser Elevation</i>	<i>Depth to Water</i>	<i>Water Level Elevation</i>
1140A	B	583.50	19.14	564.36
1140B	A	583.50	18.80	564.70
1141A	B	581.70	15.27	566.43
1141B	A	581.90	15.15	566.75
1142A	C/D	579.70	DRY	NA
1142B	B	579.50	11.72	567.78
1142C	A	579.60	13.31	566.29
1143A	C	577.70	6.32	571.38
1143B	C	577.20	5.81	571.39
1143C	B	576.70	7.00	569.70
1143D	A	576.80	8.70	568.10
1144A	D/C	579.70	6.00	573.70
1144B	C	576.90	5.61	571.29
1144C	B	577.30	6.28	571.02
1144D	A	577.20	7.41	569.79
1150A	A	579.80	12.50	567.30
1150B	B	578.08	11.60	566.48
1160A	A	584.20	19.70	564.50
1160C	C	583.50	13.20	570.30
1161A	A	582.30	17.50	564.80
1161B	B	582.61	16.02	566.59
1161C	C	582.50	13.69	568.81
1161D	D	582.20	16.68	565.52
1161E	B	583.81	18.40	565.41
1162A		581.35	* 11.18	570.17
1162C		581.60	* 14.64	566.96
1162D		582.14	* 11.65	570.49
1163A	A	581.40	12.40	569.00
1163B	B	581.20	11.35	569.85
1163C	C	581.30	10.85	570.45
1163D	D	581.20	11.79	569.41
1165A	A	589.40	18.34	571.06
1165B	B	592.20	17.02	575.18
1165C	C	592.40	18.89	573.51
1165D	D	589.90	BLOCKED	NA
10176A	A	573.60	9.95	563.65
10176B	B	573.60	8.65	564.95
10176C	C	573.60	7.34	566.26
10176D	D	573.60	7.80	565.80
10276			12.80	NA
1151A	A	578.06	8.00	570.06

TABLE B.1
QUARTERLY WATER LEVELS - APRIL 1995
LOVE CANAL
OCCIDENTAL CHEMICAL CORPORATION

<i>Well/Piezometer Identification #</i>	<i>Monitored Zone</i>	<i>Top of Riser Elevation</i>	<i>Depth to Water</i>	<i>Water Level Elevation</i>
1151B	B	578.08	10.10	567.98
1151C	C	578.27	8.87	569.40
1151D	D	578.36	8.24	570.12
1153A	A	577.46	8.34	569.12
1153B	B	576.67	8.02	568.65
1153C	C	577.68	8.30	569.38
1153D	D	577.31	8.00	569.31
1153E	D	576.80	7.46	569.34
1154A	A	572.87	4.68	568.19
1154B	B	573.93	5.54	568.39
1154C	C	574.03	4.98	569.05
1154D	D	573.81	4.82	568.99
1183A	A	576.62	11.48	565.14
1183B	B	576.54	10.96	565.58
1183C	C	577.33	9.52	567.81
1183D	D	576.91	9.65	567.26
1184A	A	575.08	10.80	564.28
1184B	B	575.54	9.90	565.64
1184C	C	575.08	7.25	567.83
1184D	D	574.95	6.60	568.35
6209			13.92	NA
5222			12.95	NA
3251			12.10	NA
8210		576.83	12.19	564.64
9502		577.66	13.22	564.44

* *Top of riser elevations are not confirmed.*

Except as noted above:

Monitored Zone = A Glacial Till
 B Soft Clay
 C Fractured Clay
 D Silty Sand/Fill

TABLE B.2
QUARTERLY WATER LEVELS - JUNE 1995
LOVE CANAL
OCCIDENTAL CHEMICAL CORPORATION

<i>Well/Piezometer Identification #</i>	<i>Monitored Zone</i>	<i>Top of Riser Elevation</i>	<i>Depth to Water</i>	<i>Water Level Elevation</i>
1170A	A	584.68	23.61	561.07
1170B	B	584.56	24.57	559.99
1171A	A	583.37	19.70	563.67
1171B	B	583.63	22.63	561.00
1171C	C	583.26	22.76	560.50
1172A	A	581.73	16.83	564.90
1172B	B	581.78	13.88	567.90
1172C	C	581.77	13.17	568.60
1173A	A	578.14	11.30	566.84
1173B	B	578.36	10.80	567.56
1173C	C	578.45	8.72	569.73
1173D	D	578.60	8.83	569.77
1174A	A	577.77	6.74	571.03
1174B	B	577.73	5.09	572.64
1174C	C	578.14	4.00	574.14
1174D	D	577.78	3.76	574.02
1180A	A	582.59	20.70	561.89
1180B	B	582.47	22.45	560.02
1180C	C	583.27	DRY	NA
1181A	A	576.81	11.10	565.71
1181B	B	577.15	11.60	565.55
1181C	C	577.07	9.27	567.80
1190A	A	586.53	24.50	562.03
1190B	B	586.22	25.02	561.20
1191A	A	584.91	19.02	565.89
1191B	B	584.90	22.13	562.77
1191C	B	585.18	22.27	562.91
1192A	A	583.43	20.50	562.93
1192B	B	583.46	16.03	567.43
1192C	C	583.85	15.20	568.65
1193A	A	579.97	15.66	564.31
1193B	B	579.45	12.10	567.35
1193C	C	579.60	10.20	569.40
1193D	D	579.60	6.60	573.00
1194A	A	578.40	15.37	563.03
1194B	B	578.03	10.70	567.33
1194C	B	578.56	8.60	569.96
1194D	C	578.54	7.90	570.64

TABLE B.2
QUARTERLY WATER LEVELS - JUNE 1995
LOVE CANAL
OCCIDENTAL CHEMICAL CORPORATION

<i>Well/Piezometer Identification #</i>	<i>Monitored Zone</i>	<i>Top of Riser Elevation</i>	<i>Depth to Water</i>	<i>Water Level Elevation</i>
1140A	B	583.50	20.38	563.12
1140B	A	583.50	20.36	563.14
1141A	B	581.70	16.64	565.06
1141B	A	581.90	16.20	565.70
1142A	C/D	579.70	DRY	NA
1142B	B	579.50	12.04	567.46
1142C	A	579.60	13.68	565.92
1143A	C	577.70	7.04	570.66
1143B	C	577.20	6.52	570.68
1143C	B	576.70	7.46	569.24
1143D	A	576.80	9.11	567.69
1144A	D/C	579.70	6.90	572.80
1144B	C	576.90	6.40	570.50
1144C	B	577.30	7.30	570.00
1144D	A	577.20	7.98	569.22
1150A	A	579.80	12.95	566.85
1150B	B	578.08	11.52	566.56
1160A	A	584.20	21.25	562.95
1160C	C	583.50	18.10	565.40
1161A	A	582.30	18.02	564.28
1161B	B	582.60	17.65	564.95
1161C	C	582.50	14.95	567.55
1161D	D	582.20	13.90	568.30
1161E	B	583.80	19.92	563.88
1162A		581.35	* 16.50	564.85
1162C		581.60	* 12.51	569.09
1162D		582.14	* 13.35	568.79
1163A	A	581.40	14.41	566.99
1163B	B	581.20	12.54	568.66
1163C	C	581.30	12.14	569.16
1163D	D	581.20	13.29	567.91
1165A	A	589.40	20.08	569.32
1165B	B	592.20	20.80	571.40
1165C	C	592.40	20.69	571.71
1165D	D	589.90	18.45	571.45
10176A	A	573.60	10.57	563.03
10176B	B	573.60	9.47	564.13
10176C	C	573.60	8.49	565.11
10176D	D	573.60	8.28	565.32
10276			13.06	NA
1151A	A	578.06	9.58	568.48

TABLE B.2
QUARTERLY WATER LEVELS - JUNE 1995
LOVE CANAL
OCCIDENTAL CHEMICAL CORPORATION

<i>Well/Piezometer Identification #</i>	<i>Monitored Zone</i>	<i>Top of Riser Elevation</i>	<i>Depth to Water</i>	<i>Water Level Elevation</i>
1151B	B	578.08	10.28	567.80
1151C	C	578.27	9.26	569.01
1151D	D	578.36	9.13	569.23
1153A	A	577.46	8.42	569.04
1153B	B	576.67	8.60	568.07
1153C	C	577.68	8.55	569.13
1153D	D	577.31	8.15	569.16
1153E	D	576.80	7.68	569.12
1154A	A	572.87	5.32	567.55
1154B	B	573.93	5.96	567.97
1154C	C	574.03	5.66	568.37
1154D	D	573.81	5.13	568.68
1183A	A	576.62	11.80	564.82
1183B	B	576.54	11.40	565.14
1183C	C	577.33	10.11	567.22
1183D	D	576.91	9.65	567.26
1184A	A	575.08	11.10	563.98
1184B	B	575.54	10.55	564.99
1184C	C	575.08	10.58	564.50
1184D	D	574.95	DRY	NA
6209			14.13	NA
5222			13.10	NA
3251			12.70	NA
8210		576.83	12.33	564.50
9502		577.66	13.32	564.34

** Top of riser elevations are not confirmed.*

Except as noted above:

Monitored Zone = A Glacial Till
 B Soft Clay
 C Fractured Clay
 D Silty Sand/Fill

TABLE B.3
QUARTERLY WATER LEVELS - NOVEMBER 1995
LOVE CANAL
OCCIDENTAL CHEMICAL CORPORATION

<i>Well/Piezometer Identification #</i>	<i>Monitored Zone</i>	<i>Top of Riser Elevation</i>	<i>Depth to Water</i>	<i>Water Level Elevation</i>
1170A	A	584.68	22.34	562.34
1170B	B	584.56	22.93	561.63
1171A	A	583.37	18.42	564.95
1171B	B	583.63	21.10	562.53
1171C	C	583.26	21.48	561.78
1172A	A	581.73	15.74	565.99
1172B	B	581.78	13.18	568.60
1172C	C	581.77	13.09	568.68
1173A	A	578.14	10.10	568.04
1173B	B	578.36	9.05	569.31
1173C	C	578.45	7.96	570.49
1173D	D	578.60	7.61	570.99
1174A	A	577.77	4.30	573.47
1174B	B	577.73	2.90	574.83
1174C	C	578.14	2.32	575.82
1174D	D	577.78	1.52	576.26
1180A	A	582.59	19.60	562.99
1180B	B	582.47	21.05	561.42
1180C	C	583.27	DRY	NA
1181A	A	576.81	9.33	567.48
1181B	B	577.15	9.10	568.05
1181C	C	577.07	7.18	569.89
1190A	A	586.53	13.32	573.21
1190B	B	586.22	22.36	563.86
1191A	A	584.91	18.47	566.44
1191B	B	584.90	19.12	565.78
1191C	B	585.18	20.73	564.45
1192A	A	583.43	18.96	564.47
1192B	B	583.46	15.58	567.88
1192C	C	583.85	14.20	569.65
1193A	A	579.97	14.58	565.39
1193B	B	579.45	11.30	568.15
1193C	C	579.60	6.58	573.02
1193D	D	579.60	9.21	570.39
1194A	A	578.40	14.40	564.00
1194B	B	578.03	9.20	568.83
1194C	B	578.56	4.38	574.18
1194D	C	578.54	6.49	572.05

TABLE B.3
QUARTERLY WATER LEVELS - NOVEMBER 1995
LOVE CANAL
OCCIDENTAL CHEMICAL CORPORATION

<i>Well/Piezometer Identification #</i>	<i>Monitored Zone</i>	<i>Top of Riser Elevation</i>	<i>Depth to Water</i>	<i>Water Level Elevation</i>
1140A	B	583.50	18.85	564.65
1140B	A	583.50	18.50	565.00
1141A	B	581.70	15.30	566.40
1141B	A	581.90	15.05	566.85
1142A	C/D	579.70	DRY	NA
1142B	B	579.50	12.06	567.44
1142C	A	579.60	13.87	565.73
1143A	C	577.70	7.23	570.47
1143B	C	577.20	7.22	569.98
1143C	B	576.70	7.80	568.90
1143D	A	576.80	9.36	567.44
1144A	D/C	579.70	6.52	573.18
1144B	C	576.90	6.17	570.73
1144C	B	577.30	7.45	569.85
1144D	A	577.20	9.79	567.41
1150A	A	579.80	20.00	559.80
1150B	B	578.08	10.78	567.30
1160A	A	584.20	18.50	565.70
1160C	C	583.50	17.70	565.80
1161A	A	582.30	18.57	563.73
1161B	B	582.61	15.95	566.66
1161C	C	582.50	13.86	568.64
1161D	D	582.20	13.22	568.98
1161E	B	583.81	18.41	565.40
1162A		581.35	*	566.57
1162C		581.60	*	570.15
1162D		582.14	*	569.94
1163A	A	581.40	12.41	568.99
1163B	B	581.20	11.58	569.62
1163C	C	581.30	11.37	569.93
1163D	D	581.20	DRY	NA
1165A	A	589.40	18.81	570.59
1165B	B	592.20	19.44	572.76
1165C	C	592.40	19.40	573.00
1165D	D	589.90	17.29	572.61
10176A	A	573.60	11.00	562.60
10176B	B	573.60	9.55	564.05
10176C	C	573.60	6.73	566.87
10176D	D	573.60	6.53	567.07
10276				NA
1151A	A	578.06	8.82	569.24

TABLE B.3
QUARTERLY WATER LEVELS - NOVEMBER 1995
LOVE CANAL
OCCIDENTAL CHEMICAL CORPORATION

<i>Well/Piezometer Identification #</i>	<i>Monitored Zone</i>	<i>Top of Riser Elevation</i>	<i>Depth to Water</i>	<i>Water Level Elevation</i>
1151B	B	578.08	10.84	567.24
1151C	C	578.27	10.72	567.55
1151D	D	578.36	8.43	569.93
1153A	A	577.46	7.63	569.83
1153B	B	576.67	7.93	568.74
1153C	C	577.68	7.98	569.70
1153D	D	577.31	8.79	568.52
1153E	D	576.80	8.40	568.40
1154A	A	572.87	6.24	566.63
1154B	B	573.93	6.43	567.50
1154C	C	574.03	6.47	567.56
1154D	D	573.81	6.20	567.61
1183A	A	576.62	11.97	564.65
1183B	B	576.54	11.99	564.55
1183C	C	577.33	10.32	567.01
1183D	D	576.91	10.68	566.23
1184A	A	575.08	11.78	563.30
1184B	B	575.54	11.45	564.09
1184C	C	575.08	DRY	NA
1184D	D	574.95	DRY	NA
6209			14.80	NA
5222			13.68	NA
3251			DECOMMISSIONED	NA
8210		576.83	12.94	563.89
9502		577.66	13.97	563.69

** Top of riser elevations are not confirmed.*

Except as noted above:

Monitored Zone = A Glacial Till
 B Soft Clay
 C Fractured Clay
 D Silty Sand/Fill

TABLE B.4
QUARTERLY WATER LEVELS - DECEMBER 1995
LOVE CANAL
OCCIDENTAL CHEMICAL CORPORATION

<i>Well/Piezometer Identification #</i>	<i>Monitored Zone</i>	<i>Top of Riser Elevation</i>	<i>Depth to Water</i>	<i>Water Level Elevation</i>
1170A	A	584.68	22.30	562.38
1170B	B	584.56	23.78	560.78
1171A	A	583.37	19.32	564.05
1171B	B	583.63	22.00	561.63
1171C	C	583.26	22.30	560.96
1172A	A	581.73	16.84	564.89
1172B	B	581.78	13.98	567.80
1172C	C	581.77	13.18	568.59
1173A	A	578.14	10.47	567.67
1173B	B	578.36	9.68	568.68
1173C	C	578.45	8.55	569.90
1173D	D	578.60	8.17	570.43
1174A	A	577.77	5.30	572.47
1174B	B	577.73	3.37	574.36
1174C	C	578.14	3.27	574.87
1174D	D	577.78	2.68	575.10
1180A	A	582.59	20.52	562.07
1180B	B	582.47	22.32	560.15
1180C	C	583.27	DRY	NA
1181A	A	576.81	9.08	567.73
1181B	B	577.15	10.40	566.75
1181C	C	577.07	7.87	569.20
1190A	A	586.53	14.60	571.93
1190B	B	586.22	22.62	563.60
1191A	A	584.91	19.86	565.05
1191B	B	584.90	20.30	564.60
1191C	B	585.18	21.70	563.48
1192A	A	583.43	19.80	563.63
1192B	B	583.46	16.12	567.34
1192C	C	583.85	15.52	568.33
1193A	A	579.97	15.21	564.76
1193B	B	579.45	11.99	567.46
1193C	C	579.60	10.57	569.03
1193D	D	579.60	9.58	570.02
1194A	A	578.40	15.40	563.00
1194B	B	578.03	9.16	568.87
1194C	B	578.56	5.00	573.56
1194D	C	578.54	6.30	572.24

TABLE B.4
QUARTERLY WATER LEVELS - DECEMBER 1995
LOVE CANAL
OCCIDENTAL CHEMICAL CORPORATION

<i>Well/Piezometer Identification #</i>	<i>Monitored Zone</i>	<i>Top of Riser Elevation</i>	<i>Depth to Water</i>	<i>Water Level Elevation</i>
1140A	B	583.50	19.86	563.64
1140B	A	583.50	19.42	564.08
1141A	B	581.70	16.54	565.16
1141B	A	581.90	16.40	565.50
1142A	C/D	579.70	DRY	NA
1142B	B	579.50	12.85	566.65
1142C	A	579.60	15.10	564.50
1143A	C	577.70	7.35	570.35
1143B	C	577.20	7.29	569.91
1143C	B	576.70	7.96	568.74
1143D	A	576.80	10.06	566.74
1144A	D/C	579.70	6.23	573.47
1144B	C	576.90	5.98	570.92
1144C	B	577.30	6.75	570.55
1144D	A	577.20	9.55	567.65
1150A	A	579.80	DECOMMISSIONED	NA
1150B	B	578.08	DECOMMISSIONED	NA
1160A	A	584.20	18.40	565.80
1160C	C	583.50	17.73	565.77
1161A	A	582.30	17.40	564.90
1161B	B	582.61	16.90	565.71
1161C	C	582.50	15.10	567.40
1161D	D	582.20	14.08	568.12
1161E	B	583.81	19.30	564.51
1162A		581.35	* 15.64	565.71
1162C		581.60	* 12.50	569.10
1162D		582.14	* 13.56	568.58
1163A	A	581.40	13.37	568.03
1163B	B	581.20	11.55	569.65
1163C	C	581.30	12.78	568.52
1163D	D	581.20	DRY	NA
1165A	A	589.40	19.45	569.95
1165B	B	592.20	20.37	571.83
1165C	C	592.40	20.16	572.24
1165D	D	589.90	18.02	NA
10176A	A	573.60	9.83	563.77
10176B	B	573.60	8.03	565.57
10176C	C	573.60	5.48	568.12
10176D	D	573.60	5.23	568.37
10276			12.75	NA
1151A	A	578.06	7.23	570.83

TABLE B.4
QUARTERLY WATER LEVELS - DECEMBER 1995
LOVE CANAL
OCCIDENTAL CHEMICAL CORPORATION

<i>Well/Piezometer Identification #</i>	<i>Monitored Zone</i>	<i>Top of Riser Elevation</i>	<i>Depth to Water</i>	<i>Water Level Elevation</i>
1151B	B	578.08	9.33	568.75
1151C	C	578.27	8.84	569.43
1151D	D	578.36	7.37	570.99
1153A	A	577.46	6.68	570.78
1153B	B	576.67	6.87	569.80
1153C	C	577.68	6.85	570.83
1153D	D	577.31	7.84	569.47
1153E	D	576.80	7.38	569.42
1154A	A	572.87	5.10	567.77
1154B	B	573.93	5.28	568.65
1154C	C	574.03	5.37	568.66
1154D	D	573.81	5.11	568.70
1183A	A	576.62	10.80	565.82
1183B	B	576.54	10.52	566.02
1183C	C	577.33	9.23	568.10
1183D	D	576.91	9.67	567.24
1184A	A	575.08	10.70	564.38
1184B	B	575.54	9.95	565.59
1184C	C	575.08	DRY	NA
1184D	D	574.95	5.13	569.82
6209			14.04	NA
5222			12.65	NA
3251			DECOMMISSIONED	NA
8210		576.83	11.92	564.91
9502		577.66	12.97	564.69

** Top of riser elevations are not confirmed.*

Except as noted above:

Monitored Zone = A Glacial Till
 B Soft Clay
 C Fractured Clay
 D Silty Sand/Fill