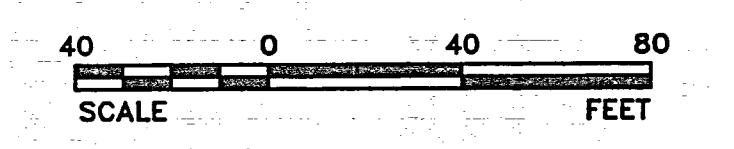
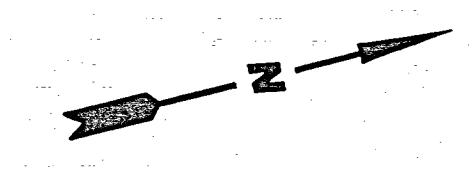


NO.	DATE	BY	REVISION
-----	------	----	----------

- LEGEND**
- ◆ MONITORING WELL
  - ⊕ RECOVERY WELL
  - GW GAS METER
  - WV WATER VALVE
  - V VALVE
  - ××× FENCE LINE
  - SM SEWER MANHOLE
  - S SEWER LINE
  - TM TELEPHONE MANHOLE
  - DI DRAIN INLET



SIGNATURE	DATE
REVIEW ENGR:	
PROJECT ENGR:	
PROJECT MGR:	
CLIENT:	

**GT ENGINEERING**  
 1245 KINGS ROAD  
 SCHENECTADY, NY 12303  
 (518) 370-5631

**OSMOSE, INC.**

ELLICOTT STREET  
 BUFFALO, NEW YORK

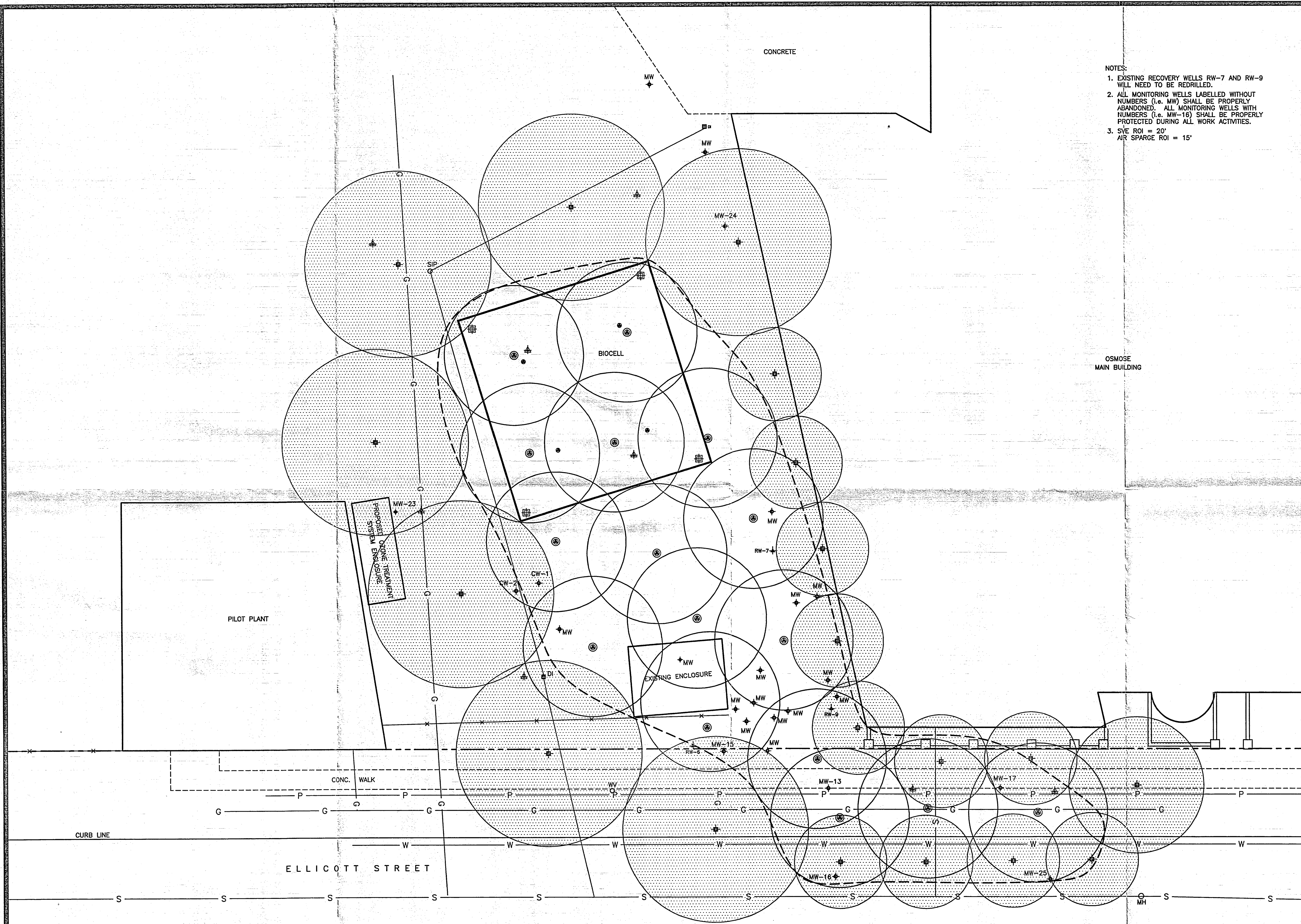
**SITE MAP**

DESIGNED BY: ---	DETAILED BY: DEO/SSH	CHECKED BY:
DRAWING DATE: 6/22/98	ACAD FILE: 8061-Y1	
PROJECT NO.: 01110-8061	CONTRACT:	
DRAWING: <b>Y-1</b>	REVISION:	

IT IS A VIOLATION OF SECTION 7209, SUBDIVISION 2, OF THE NEW YORK STATE EDUCATION LAW FOR ANY PERSON, OTHER THAN THOSE WHOSE SEAL APPEARS ON THIS DRAWING, TO ALTER IN ANY WAY AN ITEM ON THIS DRAWING. IF AN ITEM IS ALTERED, THE ALTERING ENGINEER SHALL AFFIX TO THE ITEM HIS SEAL AND THE NOTATION "ALTERED BY" FOLLOWED BY HIS SIGNATURE AND THE DATE OF SUCH ALTERATION, AND A SPECIFIC DESCRIPTION OF THE ALTERATION.

THIS DRAWING AND ANY ATTACHMENTS ("DRAWINGS"), HAVE BEEN PRODUCED FOR THE SOLE USE OF THE RECIPIENT AND MUST NOT BE USED, REUSED, REPRODUCED, MODIFIED OR COPIED ("USE") IN ANY MANNER WITHOUT PRIOR WRITTEN APPROVAL OF FLUOR DANIEL GTI, INC. THIS DRAWING MAY CONTAIN CONFIDENTIAL AND PROPRIETARY INFORMATION OF FLUOR DANIEL GTI, INC. ANY UNAUTHORIZED USE OF THIS DRAWING IS STRICTLY PROHIBITED.

NOTE: THIS SITE PLAN WAS PREPARED FROM A BASE MAP PREPARED BY HUSSBAUMER AND CLARKE, INC. FROM BOUNDARY SURVEY CONDUCTED IN JANUARY 1998.



- NOTES:
- EXISTING RECOVERY WELLS RW-7 AND RW-9 WILL NEED TO BE REDRILLED.
  - ALL MONITORING WELLS LABELLED WITHOUT NUMBERS (i.e. MW) SHALL BE PROPERLY ABANDONED. ALL MONITORING WELLS WITH NUMBERS (i.e. MW-16) SHALL BE PROPERLY PROTECTED DURING ALL WORK ACTIVITIES.
  - SVE ROI = 20'  
AIR SPARGE ROI = 15'

NO.	DATE	BY	REVISION
-----	------	----	----------

**LEGEND**

- ◆ MONITORING WELL
- ✦ RECOVERY WELL
- SIP SEWER INSPECTION PLUG
- W VALVE
- V VALVE
- X—X— FENCE LINE
- SM SEWER MANHOLE
- TM TELEPHONE MANHOLE
- DI DRAIN INLET
- ⊙ OZONE INJECTION WELL
- ⊕ SVE EXTRACTION WELL
- S — SANITARY SEWER LOCATION (APPX.)
- G — GAS LINE LOCATION (APPX.)
- P — POWER LINE LOCATION (APPX.)
- W — WATER LINE LOCATION (APPX.)
- 473 mg/kg TOTAL PAHs
- 450 TOTAL PAHs
- ⊙ OZONE INJECTION WELL WITHIN BIOCELL
- ⊕ SVE EXTRACTION WELL WITHIN BIOCELL
- ✦ PROPOSED RECOVERY WELL

N

10 0 10 20  
SCALE FEET

SIGNATURE	DATE
REVIEW ENGR:	
PROJECT ENGR:	
PROJECT MGR:	
CLIENT:	

**GT ENGINEERING**  
 1245 KINGS ROAD  
 SCHENECTADY, NY 12303  
 (518) 370-5631

**OSMOSE, INC.**

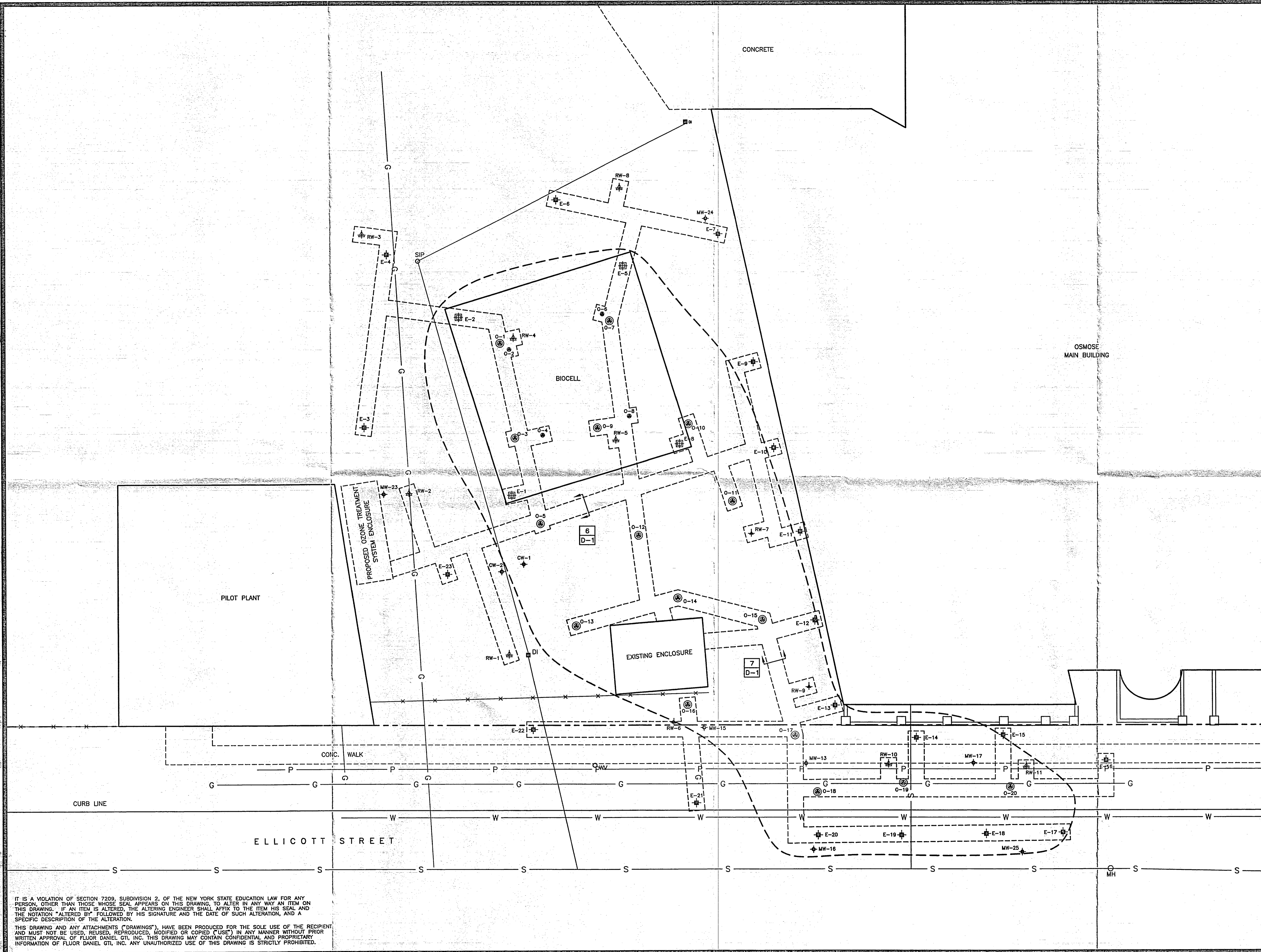
ELLICOTT STREET  
 BUFFALO, NEW YORK

**OZONE INJECTION SYSTEM LAYOUT**

DESIGNED BY: BMT/KSD	DETAILED BY: DEO/SSH	CHECKED BY:
DRAWING DATE: 9/11/98	ACAD FILE: 8061-Y2	
PROJECT NO.: 01110-8061	CONTRACT:	
FIGURE: <b>Y-2</b>	REVISION:	

IT IS A VIOLATION OF SECTION 7209, SUBDIVISION 2, OF THE NEW YORK STATE EDUCATION LAW FOR ANY PERSON, OTHER THAN THOSE WHOSE SEAL APPEARS ON THIS DRAWING, TO ALTER IN ANY WAY AN ITEM ON THIS DRAWING. IF AN ITEM IS ALTERED, THE ALTERING ENGINEER SHALL AFFIX TO THE ITEM HIS SEAL AND THE NOTATION "ALTERED BY" FOLLOWED BY HIS SIGNATURE AND THE DATE OF SUCH ALTERATION, AND A SPECIFIC DESCRIPTION OF THE ALTERATION.

THIS DRAWING AND ANY ATTACHMENTS ("DRAWINGS"), HAVE BEEN PRODUCED FOR THE SOLE USE OF THE RECIPIENT AND MUST NOT BE USED, REUSED, REPRODUCED, MODIFIED OR COPIED ("USE") IN ANY MANNER WITHOUT PRIOR WRITTEN APPROVAL OF FLUOR DANIEL GTI, INC. THIS DRAWING MAY CONTAIN CONFIDENTIAL AND PROPRIETARY INFORMATION OF FLUOR DANIEL GTI, INC. ANY UNAUTHORIZED USE OF THIS DRAWING IS STRICTLY PROHIBITED.



NO.	DATE	BY	REVISION
<b>LEGEND</b>			
+			MONITORING WELL
+			RECOVERY WELL
○			SEWER INSPECTION PLUG
○			WATER VALVE
○			VALVE
—x—x—			FENCE LINE
○			SEWER MANHOLE
○			TELEPHONE MANHOLE
□			DRAIN INLET
⊙			OZONE INJECTION WELL
⊕			SVE EXTRACTION WELL
—S—			SANITARY SEWER LOCATION (APPX.)
—G—			GAS LINE LOCATION (APPX.)
—P—			PHONE LINE LOCATION (APPX.)
—W—			WATER LINE LOCATION (APPX.)
—			473 mg/kg TOTAL PAHs
⊙			OZONE INJECTION WELL WITHIN BIOCELL
⊕			SVE EXTRACTION WELL WITHIN BIOCELL

OSMOSE  
MAIN BUILDING

BIOCELL

PILOT PLANT

EXISTING ENCLOSURE

PROPOSED OZONE TREATMENT  
SYSTEM ENCLOSURE

CONC. WALK

CURB LINE

ELLICOTT STREET

CONCRETE

SCALE 10 0 10 20 FEET

N

SIGNATURE	DATE
REVIEW ENGR:	
PROJECT ENGR:	
PROJECT MGR:	
CLIENT:	

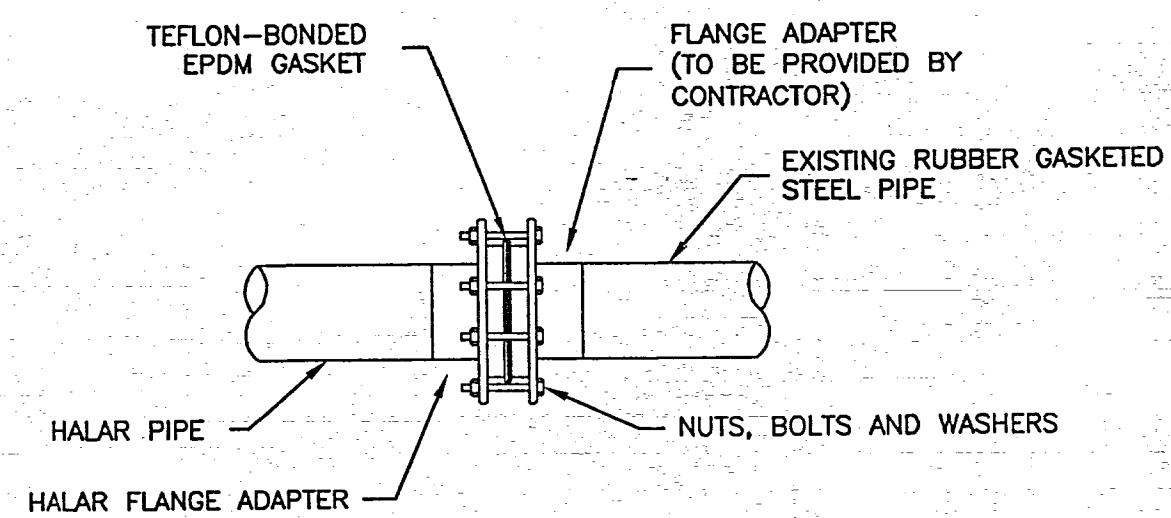
**GT ENGINEERING**  
 1245 KINGS ROAD  
 SCHENECTADY, NY 12303  
 (518) 370-5631

**OSMOSE, INC.**  
 ELLICOTT STREET  
 BUFFALO, NEW YORK

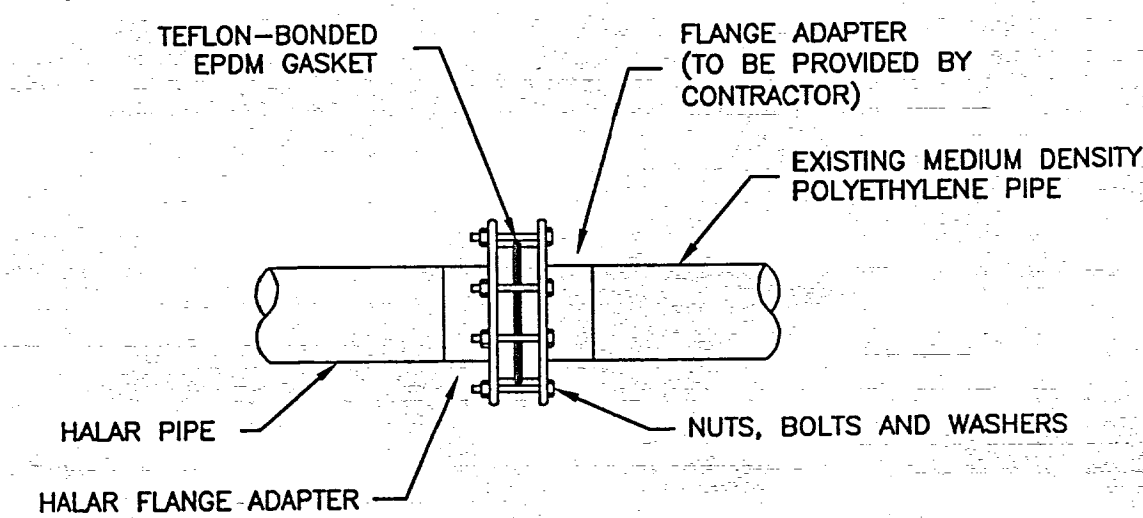
PIPING AND UTILITY TRENCH LAYOUT		
DESIGNED BY: BMT/KSD	DETAILED BY: DEO/SSH	CHECKED BY:
DRAWING DATE: 9/14/98	ACAD FILE: 8061-Y3	
PROJECT NO.:	CONTRACT:	
01110-8061		
FIGURE:	REVISION:	
Y-3		

IT IS A VIOLATION OF SECTION 7209, SUBDIVISION 2, OF THE NEW YORK STATE EDUCATION LAW FOR ANY PERSON, OTHER THAN THOSE WHOSE SEAL APPEARS ON THIS DRAWING, TO ALTER IN ANY WAY AN ITEM ON THIS DRAWING. IF AN ITEM IS ALTERED, THE ALTERING ENGINEER SHALL AFFIX TO THE ITEM HIS SEAL AND THE NOTATION "ALTERED BY" FOLLOWED BY HIS SIGNATURE AND THE DATE OF SUCH ALTERATION, AND A SPECIFIC DESCRIPTION OF THE ALTERATION.

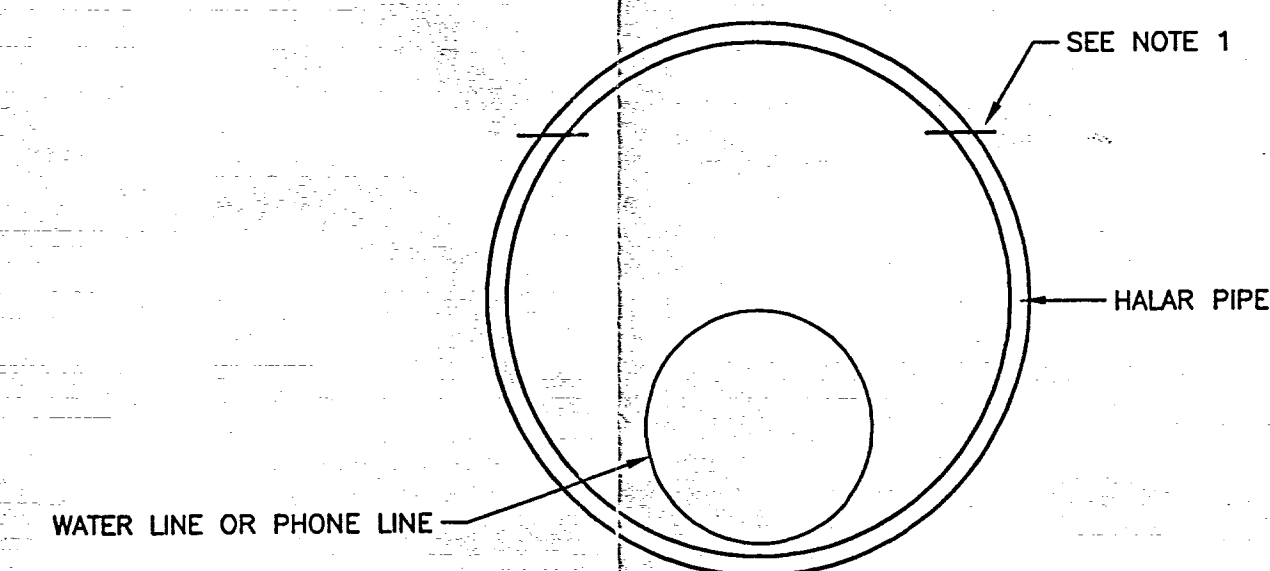
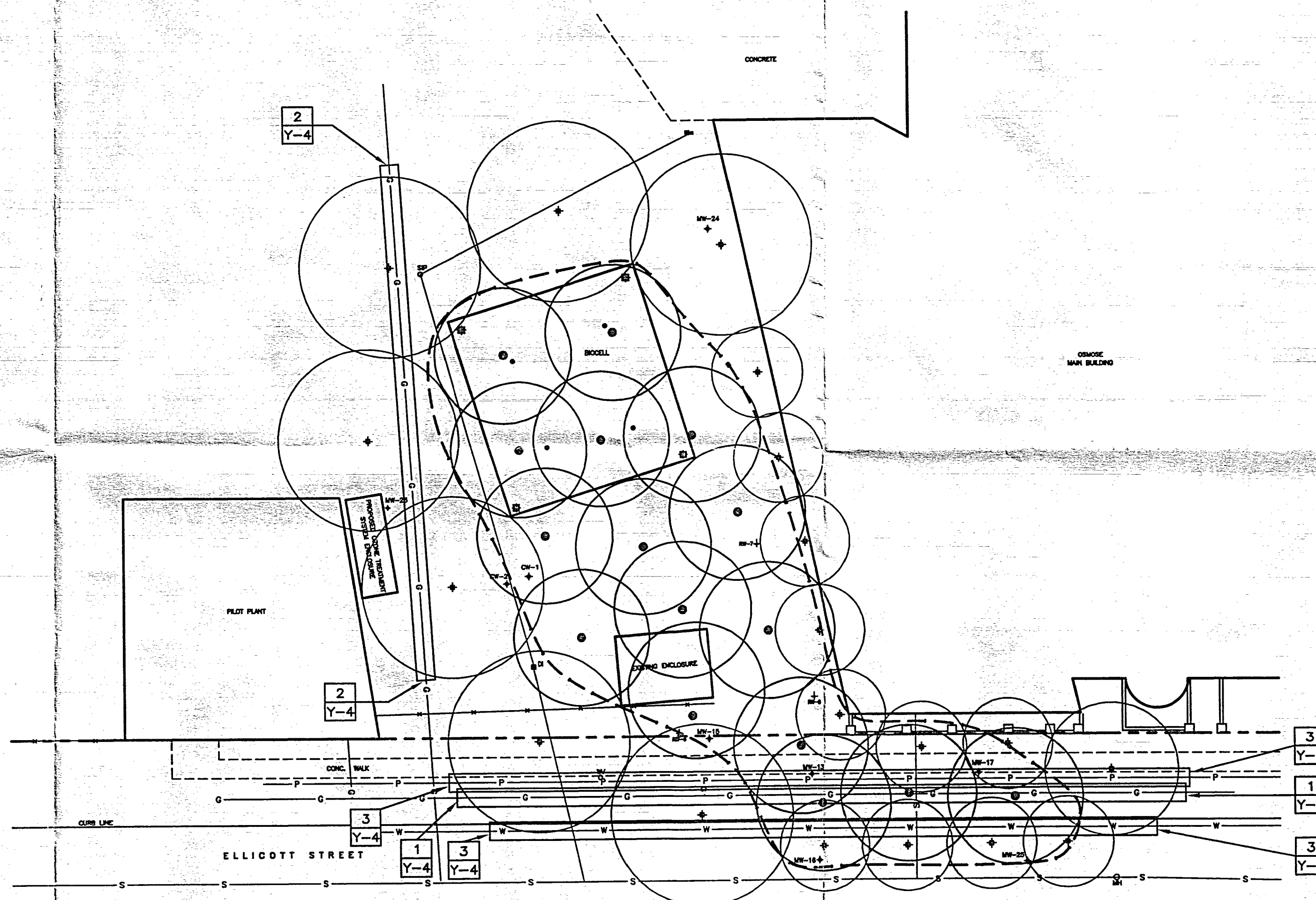
THIS DRAWING AND ANY ATTACHMENTS ("DRAWINGS"), HAVE BEEN PRODUCED FOR THE SOLE USE OF THE RECIPIENT, AND MUST NOT BE USED, REUSED, REPRODUCED, MODIFIED OR COPIED ("USE") IN ANY MANNER WITHOUT PRIOR WRITTEN APPROVAL OF FLUOR DANIEL GTI, INC. THIS DRAWING MAY CONTAIN CONFIDENTIAL AND PROPRIETARY INFORMATION OF FLUOR DANIEL GTI, INC. ANY UNAUTHORIZED USE OF THIS DRAWING IS STRICTLY PROHIBITED.



**1** FLANGE CONNECTION  
NOT TO SCALE



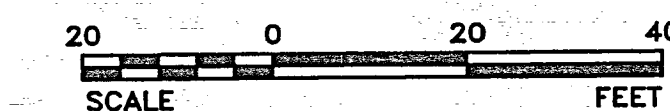
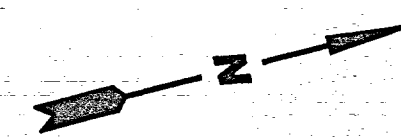
**2** FLANGE CONNECTION  
NOT TO SCALE



**3** PROTECTION OF WATER AND PHONE LINES  
NOT TO SCALE

NOTE 1: HALAR PIPE SHALL BE BUTT-FUSED THEN CUT WIDE ENOUGH TO FIT AROUND WATER AND PHONE LINES. CUT SECTION SHALL BE REPLACED AND SEALED WITH G.E. 1000 CAULKING. PIPE SHALL BE BANDED WITH STAINLESS STEEL PIPE CLAMPS ON ENDS AND EVERY FIVE FEET ALONG PIPE.

NO.	DATE	BY	REVISION
<b>LEGEND</b>			
+			MONITORING WELL
+			RECOVERY WELL
○ SP			SEWER INSPECTION PLUG
○ W			WATER VALVE
○ V			VALVE
-X-X-			FENCE LINE
○ SM			SEWER MANHOLE
○ TM			TELEPHONE MANHOLE
□ DI			DRAIN INLET
⊕			OZONE INJECTION WELL
⊕			SVE EXTRACTION WELL
- S -			SANITARY SEWER LOCATION (APPX.)
- G -			GAS LINE LOCATION (APPX.)
- P -			POWER LINE LOCATION (APPX.)
- W -			WATER LINE LOCATION (APPX.)
-			473 mg/kg TOTAL PAHs
⊕			OZONE INJECTION WELL WITHIN BIOCELL
⊕			SVE EXTRACTION WELL WITHIN BIOCELL



SIGNATURE	DATE
REVIEW ENGR:	
PROJECT ENGR:	
PROJECT MGR:	
CLIENT:	

**GT ENGINEERING**  
1245 KINGS ROAD  
SCHENECTADY, NY 12303  
(518) 370-5631

**OSMOSE, INC.**

ELLCOTT STREET  
BUFFALO, NEW YORK

**UTILITY REPLACEMENT AND PROTECTION DETAILS**

DESIGNED BY: KSD	DETAILED BY: DEO/SSH	CHECKED BY:
DRAWING DATE: 10/1/98	ACAD FILE: 8061-Y4	
PROJECT NO.: 01110-8061	CONTRACT:	
FIGURE: <b>Y-4</b>	REVISION:	

IT IS A VIOLATION OF SECTION 7209, SUBDIVISION 2, OF THE NEW YORK STATE EDUCATION LAW FOR ANY PERSON, OTHER THAN THOSE WHOSE SEAL APPEARS ON THIS DRAWING, TO ALTER IN ANY WAY AN ITEM ON THIS DRAWING. IF AN ITEM IS ALTERED, THE ALTERING ENGINEER SHALL AFFIX TO THE ITEM HIS SEAL AND THE NOTATION "ALTERED BY" FOLLOWED BY HIS SIGNATURE AND THE DATE OF SUCH ALTERATION, AND A SPECIFIC DESCRIPTION OF THE ALTERATION.

THIS DRAWING AND ANY ATTACHMENTS ("DRAWINGS"), HAVE BEEN PRODUCED FOR THE SOLE USE OF THE RECIPIENT AND MUST NOT BE USED, REUSED, REPRODUCED, MODIFIED OR COPIED ("USED") IN ANY MANNER WITHOUT PRIOR WRITTEN APPROVAL OF FLUOR DANIEL GTI, INC. THIS DRAWING MAY CONTAIN CONFIDENTIAL AND PROPRIETARY INFORMATION OF FLUOR DANIEL GTI, INC. ANY UNAUTHORIZED USE OF THIS DRAWING IS STRICTLY PROHIBITED.

# OZONE SPARGE/SVE TREATMENT SYSTEM

DESIGNED FOR

**OSMOSE, INC.**  
**980 ELLICOTT STREET**  
**BUFFALO, NEW YORK 14150**

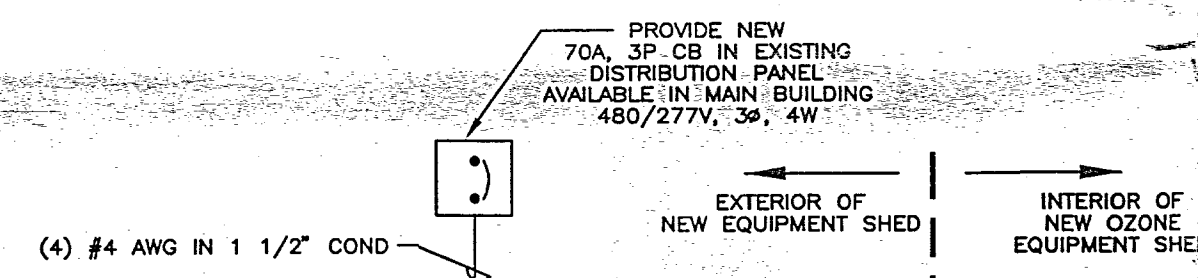
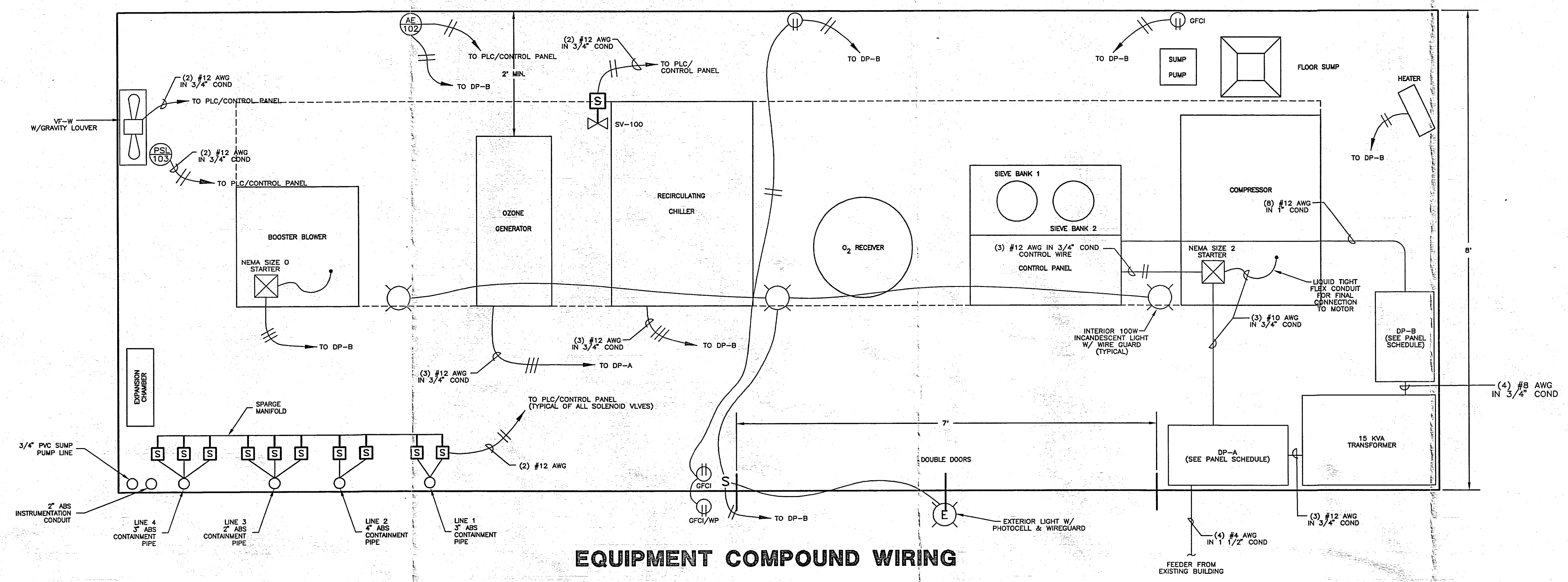
PREPARED FOR

**OSMOSE, INC.**  
**980 ELLICOTT STREET**  
**BUFFALO, NEW YORK 14150**

OCTOBER, 1998

## SHEET INDEX

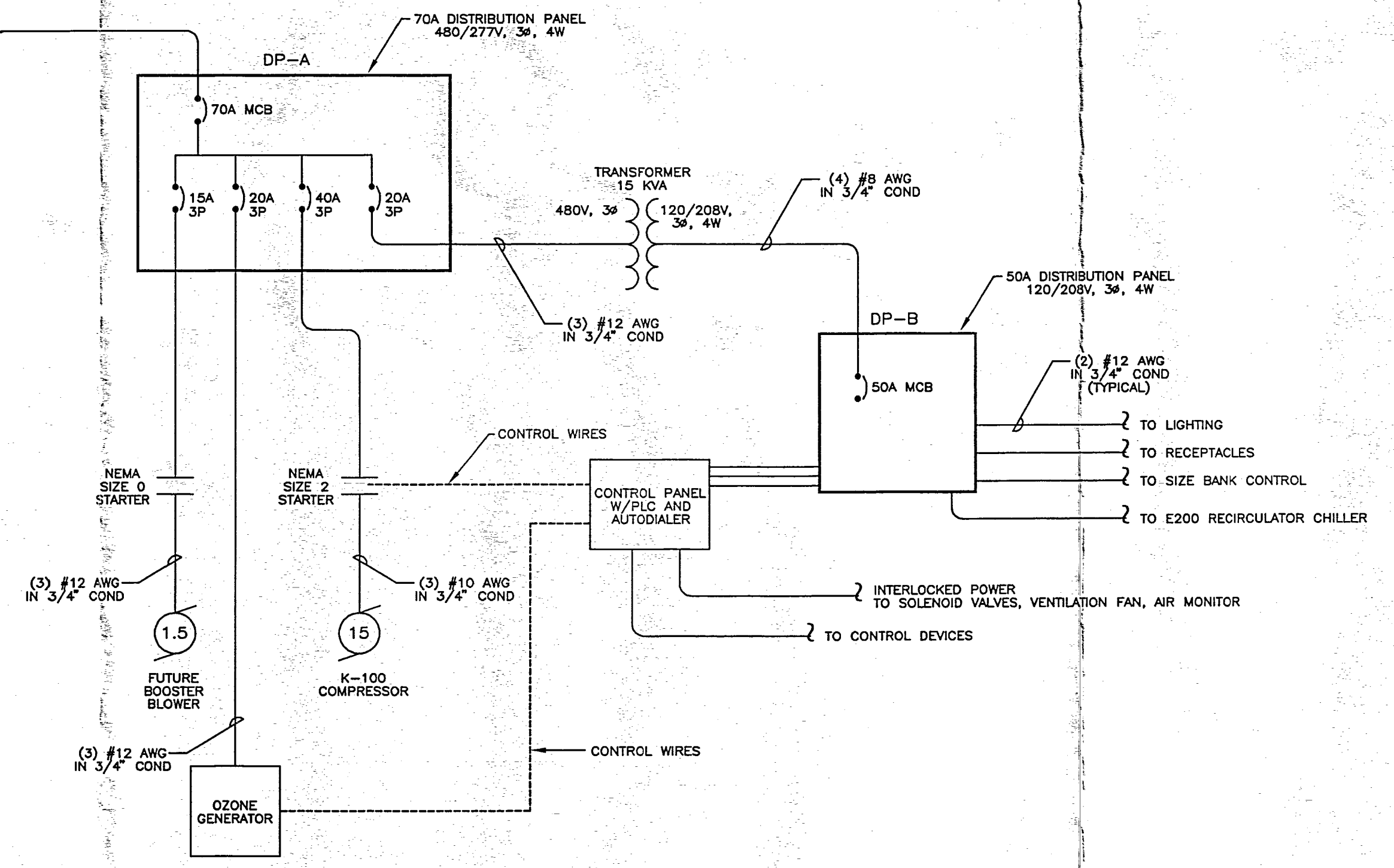
DWG. NO.	TITLE
<b>Y1</b>	SITE MAP
<b>Y2</b>	OZONE INJECTION SYSTEM LAYOUT
<b>Y3</b>	PIPING AND UTILITY TRENCH LAYOUT
<b>Y4</b>	UTILITY REPLACEMENT AND PROTECTION DETAILS
<b>P1</b>	PIPING AND INSTRUMENTATION DIAGRAM LEGEND
<b>P2</b>	PIPING AND INSTRUMENTATION DIAGRAM
<b>P3</b>	INSTRUMENTATION LOGIC DIAGRAMS
<b>S1</b>	REMEDICATION SHED LAYOUT
<b>S2</b>	EXISTING TREATMENT BUILDING
<b>D1</b>	WELL AND TRENCHING DETAILS
<b>D2</b>	OZONE SPARGE / SVE MANIFOLD LAYOUTS
<b>D3</b>	MISCELLANEOUS DETAILS
<b>E1</b>	ELECTRICAL LEGEND
<b>E2</b>	POWER PLAN AND ONE-LINE DIAGRAM



**PANEL SCHEDULES**

DISTRIBUTION PANEL 'A'				
MCB: 70 AMP		VOLTAGE: 480/277V, 3PH, 4W		POLES 30
	CIRCUIT IDENTIFICATION	BREAKER AMPERAGE	BREAKER POLES	LOAD TYPE
1	TRANSFORMER FEEDER	20	3	MISC
2	K-100 COMPRESSOR	40	3	MOTOR
3	OZONE GENERATOR	20	3	RESISTIVE
4	BOOSTER BLOWER	15	3	MOTOR
5	SPARE	20	3	
6	SPARE	20	3	
				POLES USED 18

DISTRIBUTION PANEL 'B'				
MCB: 50 AMP		VOLTAGE 120/208V, 3PH, 4W		POLES 24
	CIRCUIT IDENTIFICATION	BREAKER AMPERAGE	BREAKER POLES	LOAD TYPE
1	SC-1 CONTROL PANEL	20	1	MISC
2	LIGHTING	20	1	LIGHTING
3	RECEPTACLES	20	1	MISC
4	SIVE BANK CONTROL	20	1	MISC
5	E-200 RECIRCULATING CHILLER	15	3	MISC
1	AIR MONITOR	20	1	MISC
1	E-100 VENTILATION FAN	20	1	MOTOR
2	SOLENOID VALVES	20	1	MISC
3	GAS UNIT HEATER	20	1	MISC
4	SUMP PUMP RECEPTACLE	20	1	RECEPTACLE
5	SPARE	20	2	
5	SPARE	20	3	
				POLES USED 17



- NOTES**
- 1) NEMA SIZED MAGNETIC MOTOR STARTERS SHALL BE PROVIDED WITH H-0-A SELECTORS FOR ALL MOTORS.
  - 2) CONTROL PANEL SHALL BE EQUIPPED WITH ELAPSED TIME METERS, INTERLOCKS, PLC, AUTODIALER, INTRINSICALLY SAFE CONTROLS, SOLENOID TIME CONTROLS AND VENTILATION FAN INTERLOCKS TO ALLOW DECLASSIFICATION TO A NON-HAZARDOUS CLASSIFICATION.

IT IS A VIOLATION OF SECTION 7209, SUBDIVISION 2, OF THE NEW YORK STATE EDUCATION LAW FOR ANY PERSON, OTHER THAN THOSE WHOSE SEAL APPEARS ON THIS DRAWING, TO ALTER IN ANY WAY AN ITEM ON THIS DRAWING. IF AN ITEM IS ALTERED, THE ALTERING ENGINEER SHALL AFFIX TO THE ITEM HIS SEAL AND THE NOTATION "ALTERED BY" FOLLOWED BY HIS SIGNATURE AND THE DATE OF SUCH ALTERATION, AND A SPECIFIC DESCRIPTION OF THE ALTERATION.

THIS DRAWING AND ANY ATTACHMENTS ("DRAWINGS"), HAVE BEEN PRODUCED FOR THE SOLE USE OF THE RECIPIENT AND MUST NOT BE USED, REUSED, REPRODUCED, MODIFIED OR COPIED ("USE") IN ANY MANNER WITHOUT PRIOR WRITTEN APPROVAL OF GT ENGINEERING, P.C. THIS DRAWING MAY CONTAIN CONFIDENTIAL AND PROPRIETARY INFORMATION OF GT ENGINEERING, P.C. ANY UNAUTHORIZED USE OF THIS DRAWING IS STRICTLY PROHIBITED.

SIGNATURE	DATE
REVIEW ENGR:	
PROJECT ENGR:	
PROJECT MGR:	
CLIENT:	

**GT ENGINEERING**  
 13 BRITISH AMERICAN BLVD.  
 ALBANY, NY 12110  
 (518) 783-1996

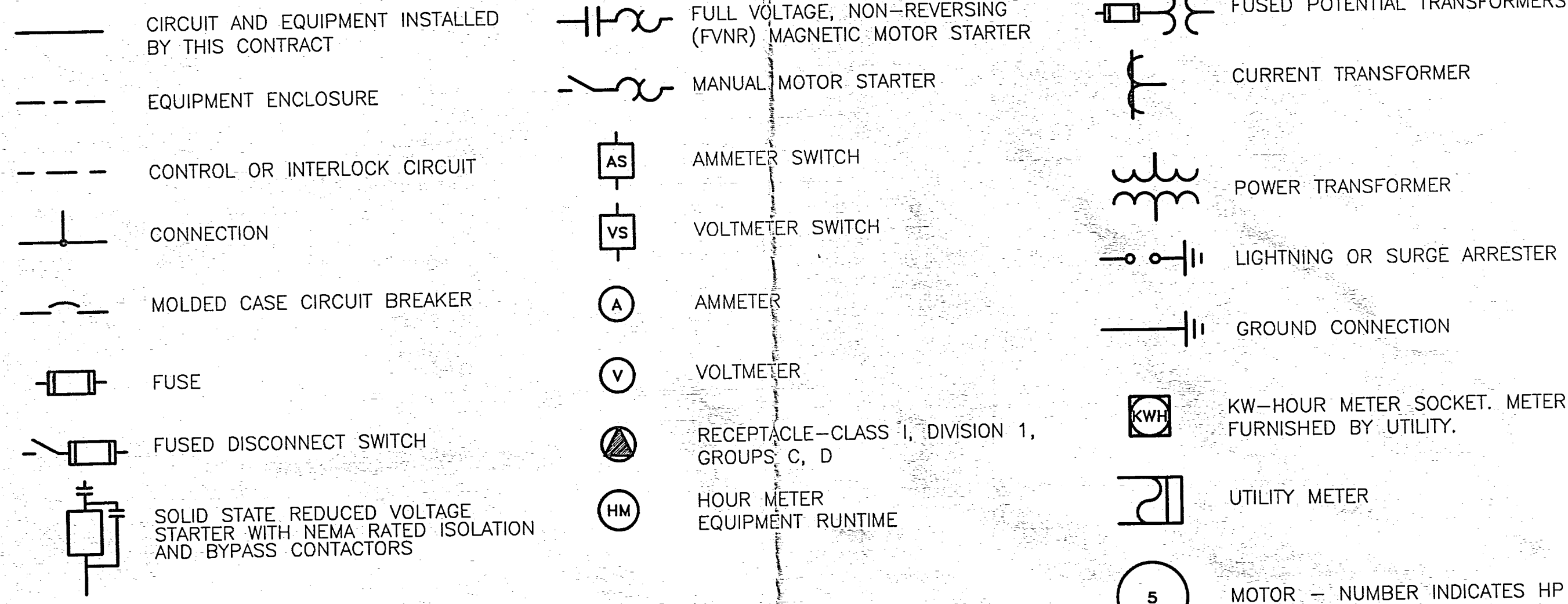
**OSMOSE, INC.**

ELLCOTT STREET  
 BUFFALO, NEW YORK

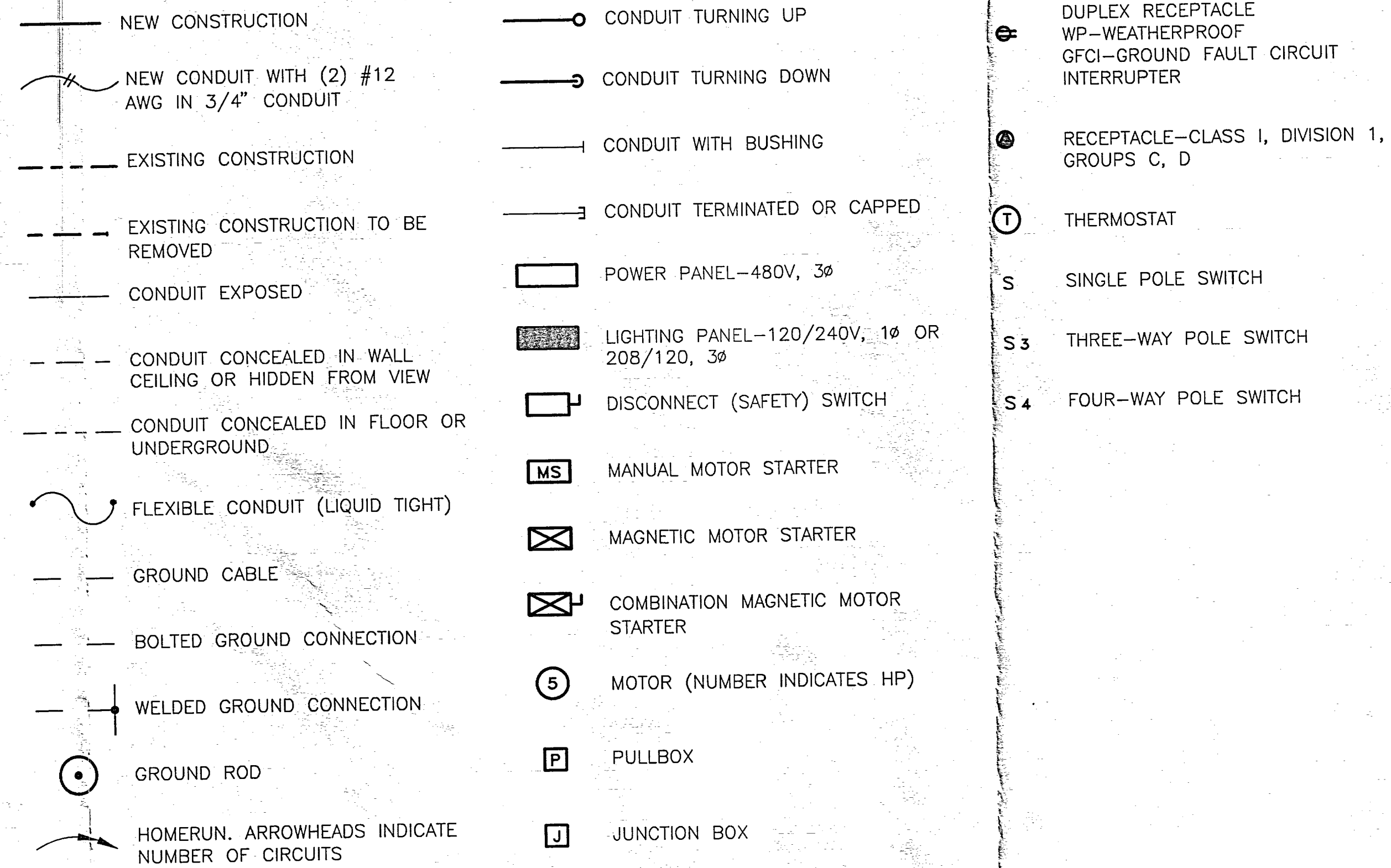
**POWER PLAN AND ONE-LINE DIAGRAM**

DESIGNED BY: AAA	DETAILED BY: TRS	CHECKED BY:
DRAWING DATE: 10/7/98	ACAD FILE: 8061-E2	
PROJECT NO.: 01110-8061	CONTRACT:	
DRAWING: E-2	REVISION:	

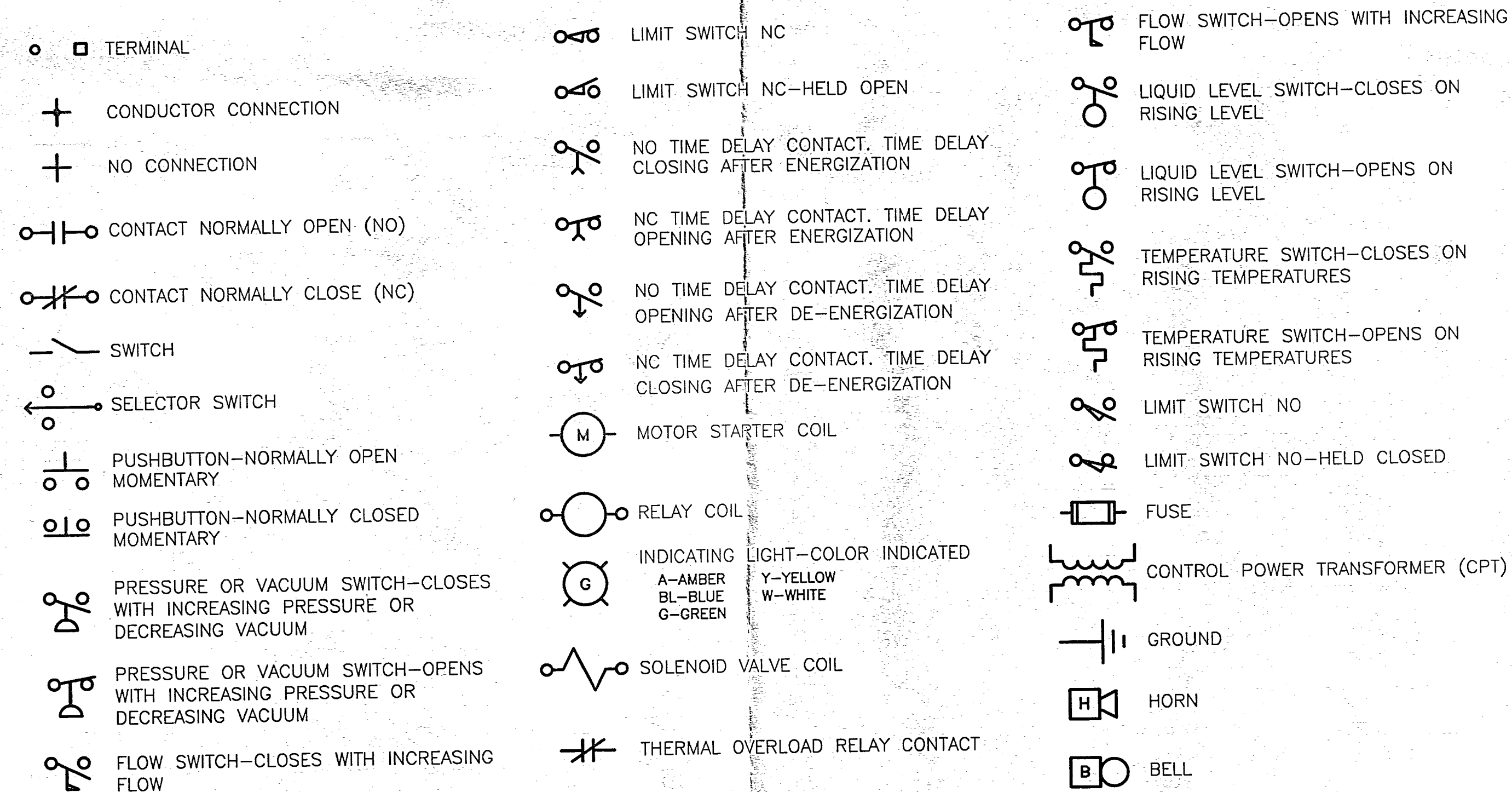
### ONE-LINE DIAGRAM SYMBOLS



### PLAN SYMBOLS



### SCHEMATIC DIAGRAM SYMBOLS



### GENERAL ABBREVIATIONS

A, AUTO	AUTOMATIC	H	HAND	PLC	PROGRAMMABLE LOGIC CONTROLLER
ACK	ACKNOWLEDGE	HI	HIGH	REM	REMOTE
AFF	ABOVE FINISH FLOOR	HS	HIGH SPEED	REV	REVERSE
AFG	ABOVE FINISH GRADE	IL	INDICATING LIGHT	SOL	SOLENOID (OTHER THAN VALVE)
BC	BARE COPPER	INST	INSTANTANEOUS	SP	SPARE
C	CONDUIT	L	LOW	SS	SELECTOR SWITCH
CB	CIRCUIT BREAKER	LOC	LOCAL	SV	SOLENOID VALVE
CL	CLOSE	LS	LOW SPEED	T, T-STAT	THERMOSTAT
CPT	CONTROL POWER TRANSFORMER	MAN	MANUAL	TDAE	TIME DELAY AFTER ENERGIZATION
CR	CONTROL RELAY	MCC	MOTOR CONTROL CENTER	TDAP	TIME DELAY AFTER DE-ENERGIZATION
CS	CONTROL SWITCH	MCP	MOTOR CIRCUIT PROTECTOR	TDR	TIME DELAY RELAY
CT	CURRENT TRANSFORMER	NC	NORMALLY CLOSED	TEMP	TEMPERATURE
DWG	DRAWING	NL	NIGHT LIGHT (UNSWITCHED FIXTURE)	TMR	TIMER
ETM	ELAPSED TIME METER	NO	NORMALLY OPEN	WP	WEATHERPROOF
FU	FUSE	O	OFF	XFMR	TRANSFORMER
FWD	FORWARD	OL	THERMAL OVERLOAD RELAY	XP	EXPLOSIONPROOF-CLASS I, DIVISION 1, GROUPS C, D
GND	GROUND	OP	OPEN		
		PB	PUSHBUTTON		

SIGNATURE		DATE
REVIEW ENGR:		
PROJECT ENGR:		
PROJECT MGR:		
CLIENT:		

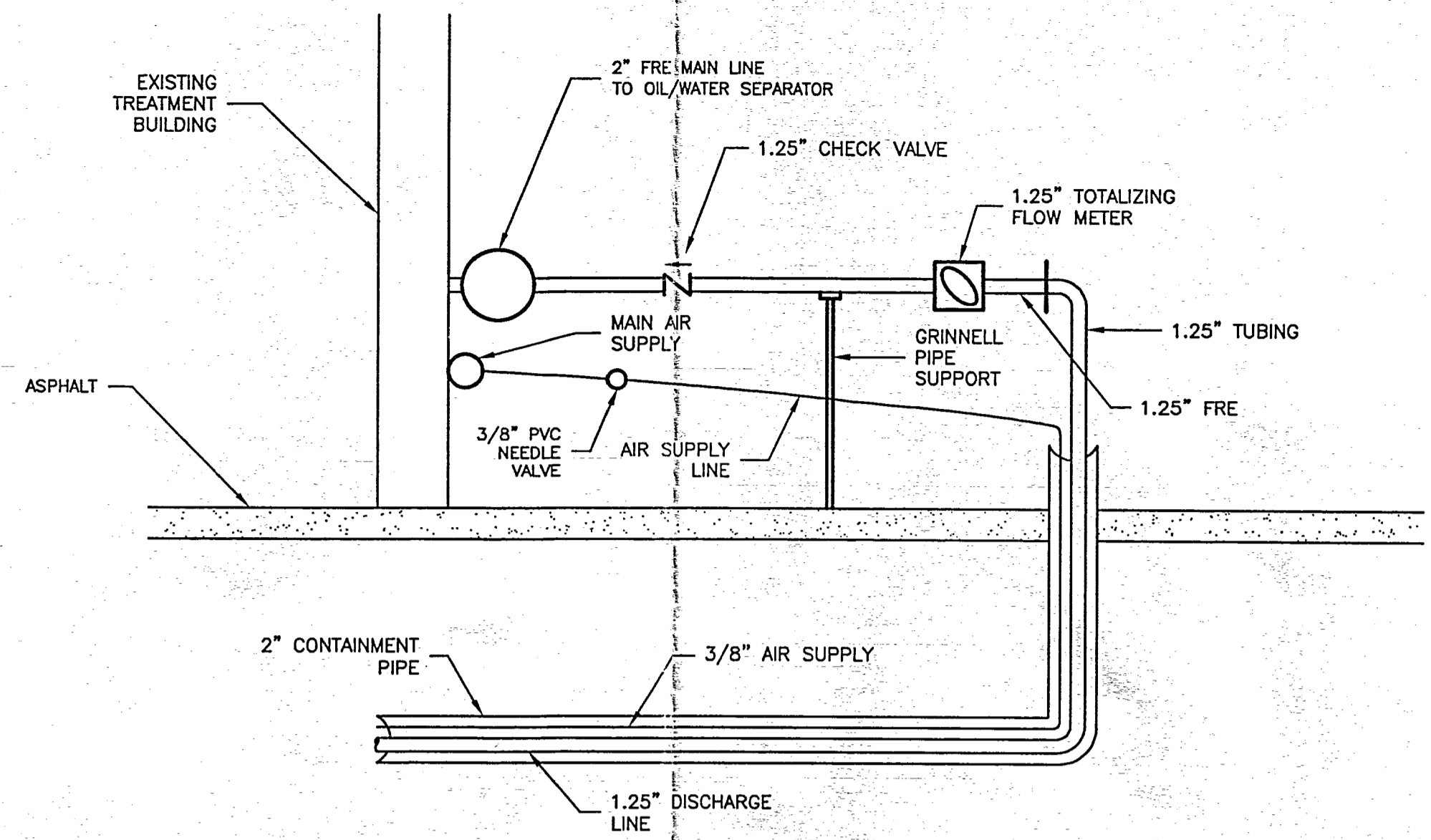
**GT ENGINEERING**  
 13 BRITISH AMERICAN BLVD.  
 ALBANY, NY 12110  
 (518) 783-1996

**OSMOSE, INC.**

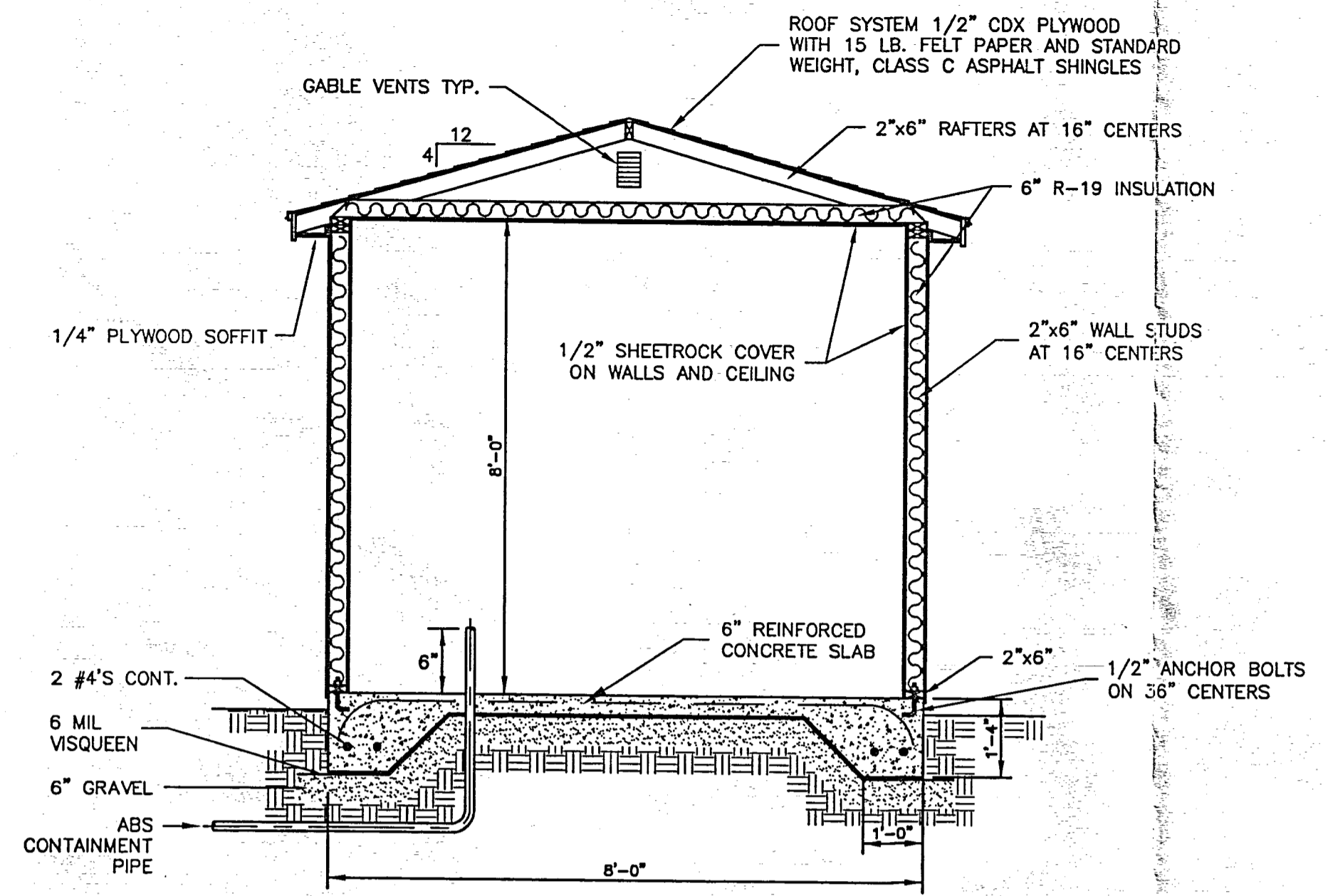
ELLCOTT STREET  
 BUFFALO, NEW YORK

### ELECTRICAL LEGEND

DESIGNED BY: AAA	DETAILED BY: TRS	CHECKED BY:
DRAWING DATE: 10/7/98	ACAD FILE: 8061-E1	
PROJECT NO.: 01110-8061	CONTRACT:	
DRAWING: E-1	REVISION:	

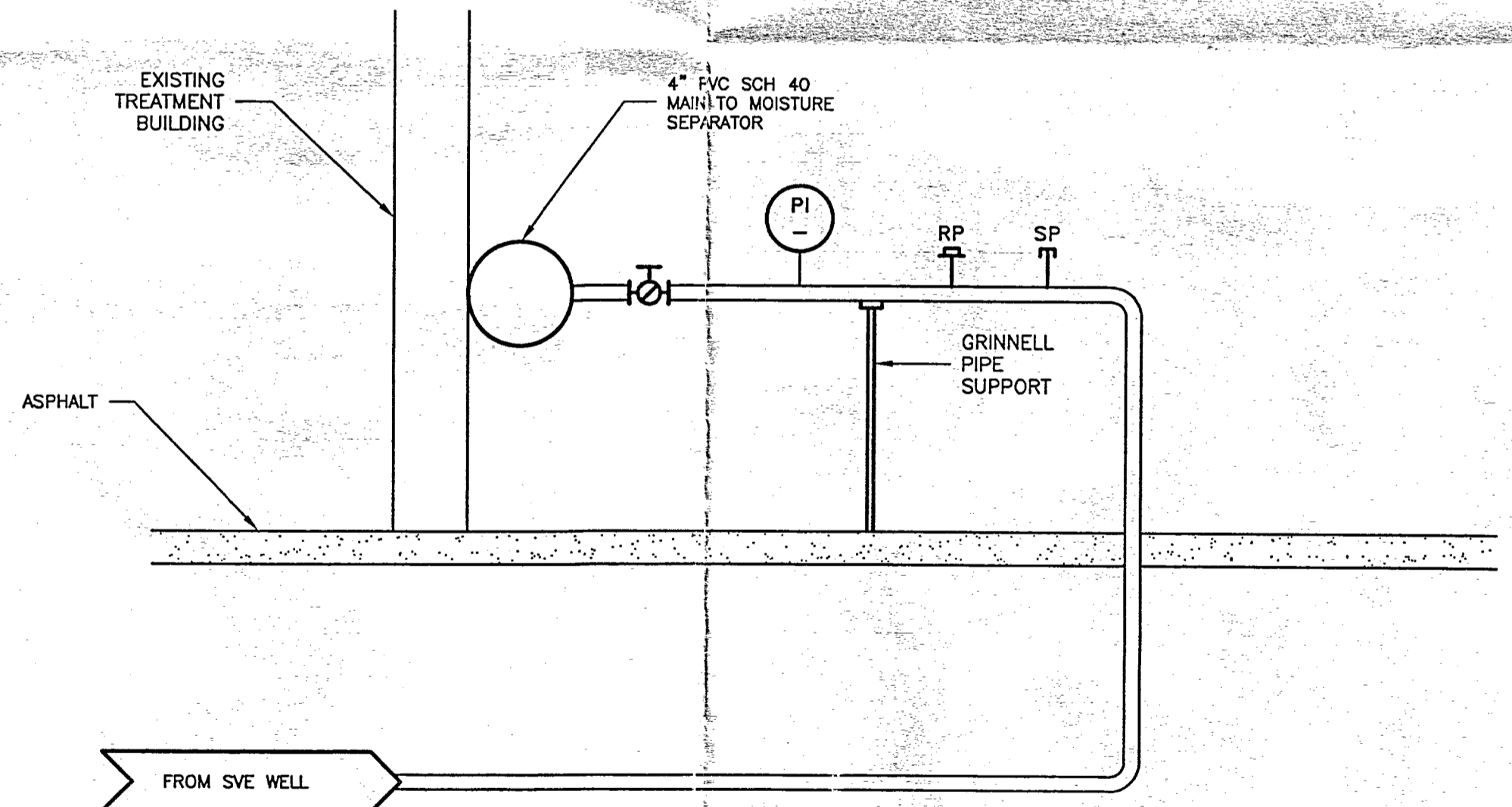


**16 RECOVERY WELL MANIFOLD SECTION**  
NOT TO SCALE

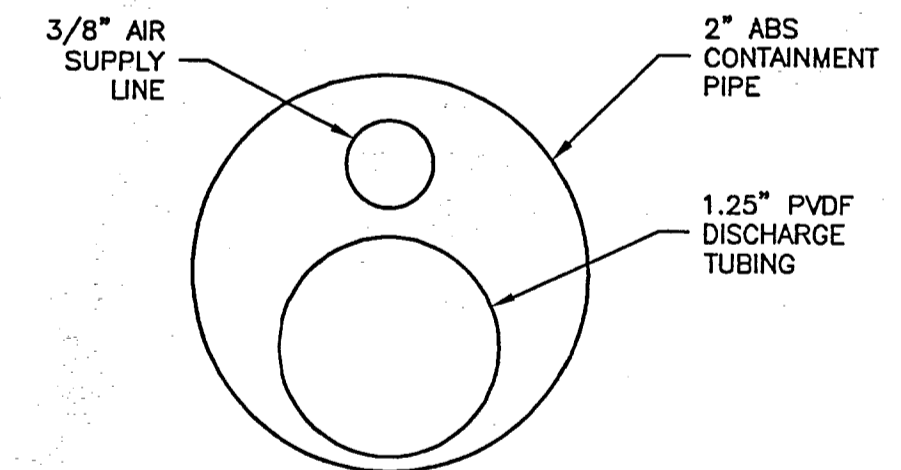


NOTE:  
ALL EXPOSED EXTERIOR SURFACES OF THE TREATMENT ENCLOSURE SHALL RECEIVE ONE COAT OF OIL BASED PRIMER AND ONE COAT OF LATEX FINISH PAINT. COLOR TO BE APPROVED BY THE OWNER.

**14 BUILDING SECTION**  
NOT TO SCALE



**17 SVE MANIFOLD SECTION**  
NOT TO SCALE



**15 GROUNDWATER DISCHARGE LINE**  
NOT TO SCALE

NO.	DATE	BY	REVISION
-----	------	----	----------

SIGNATURE	DATE
REVIEW ENGR:	
PROJECT ENGR:	
PROJECT MGR:	
CLIENT:	

**GT ENGINEERING**  
1245 KINGS ROAD  
SCHENECTADY, NY 12303  
(518) 370-5631

**OSMOSE**

ELLICOTT STREET  
BUFFALO, NEW YORK

**MISCELLANEOUS  
DETAILS**

DESIGNED BY: KSD	DETAILED BY: DEO/SSH	CHECKED BY:
---------------------	-------------------------	-------------

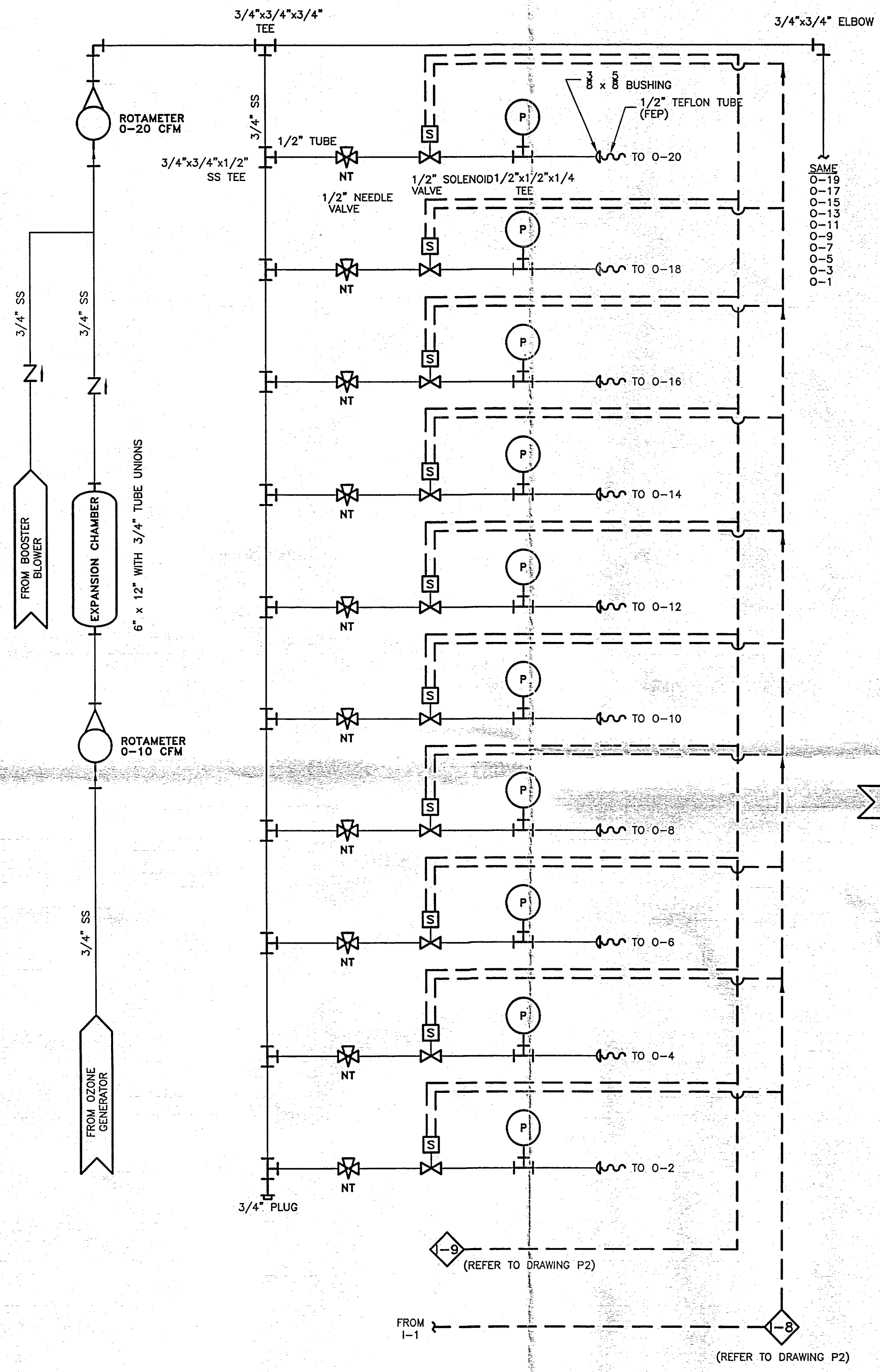
DRAWING DATE: 10/2/98	ACAD FILE: 8061-D3
--------------------------	-----------------------

PROJECT NO.: 01110-8061	CONTRACT:
----------------------------	-----------

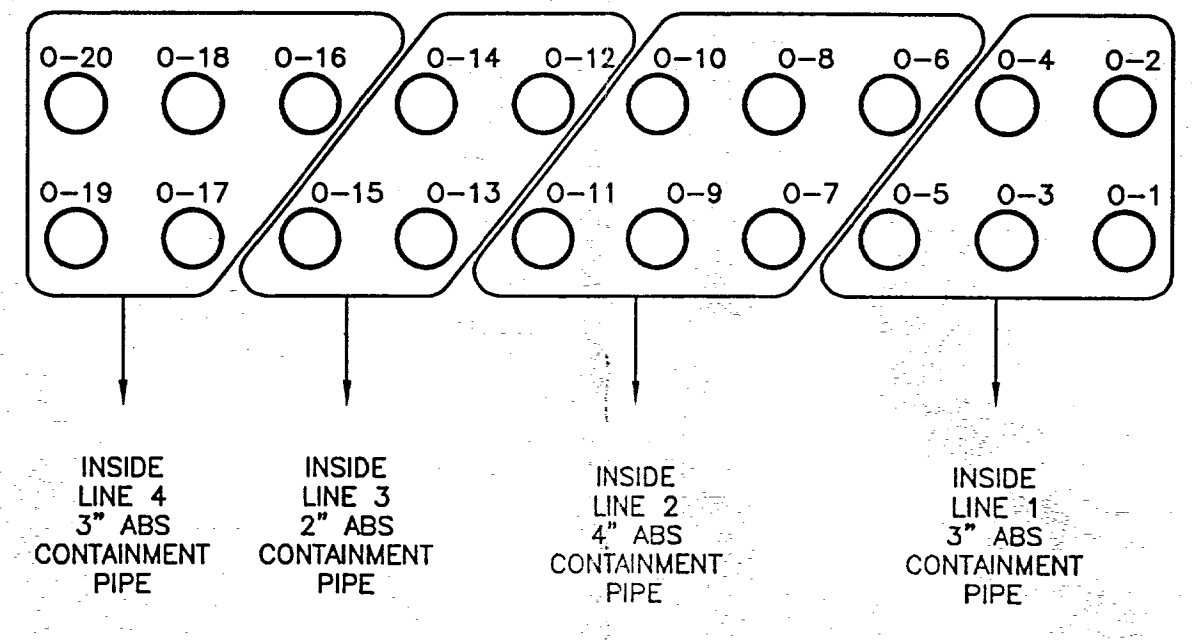
FIGURE: <b>D-3</b>	REVISION:
-----------------------	-----------

IT IS A VIOLATION OF SECTION 7209, SUBDIVISION 2, OF THE NEW YORK STATE EDUCATION LAW FOR ANY PERSON, OTHER THAN THOSE WHOSE SEAL APPEARS ON THIS DRAWING, TO ALTER IN ANY WAY AN ITEM ON THIS DRAWING. IF AN ITEM IS ALTERED, THE ALTERING ENGINEER SHALL AFFIX TO THE ITEM HIS SEAL AND THE NOTATION "ALTERED BY" FOLLOWED BY HIS SIGNATURE AND THE DATE OF SUCH ALTERATION, AND A SPECIFIC DESCRIPTION OF THE ALTERATION.  
THIS DRAWING AND ANY ATTACHMENTS ("DRAWINGS"), HAVE BEEN PRODUCED FOR THE SOLE USE OF THE RECIPIENT AND MUST NOT BE USED, REUSED, REPRODUCED, MODIFIED OR COPIED ("USED") IN ANY MANNER WITHOUT PRIOR WRITTEN APPROVAL OF FLUOR DANIEL GTI, INC. THIS DRAWING MAY CONTAIN CONFIDENTIAL AND PROPRIETARY INFORMATION OF FLUOR DANIEL GTI, INC. ANY UNAUTHORIZED USE OF THIS DRAWING IS STRICTLY PROHIBITED.

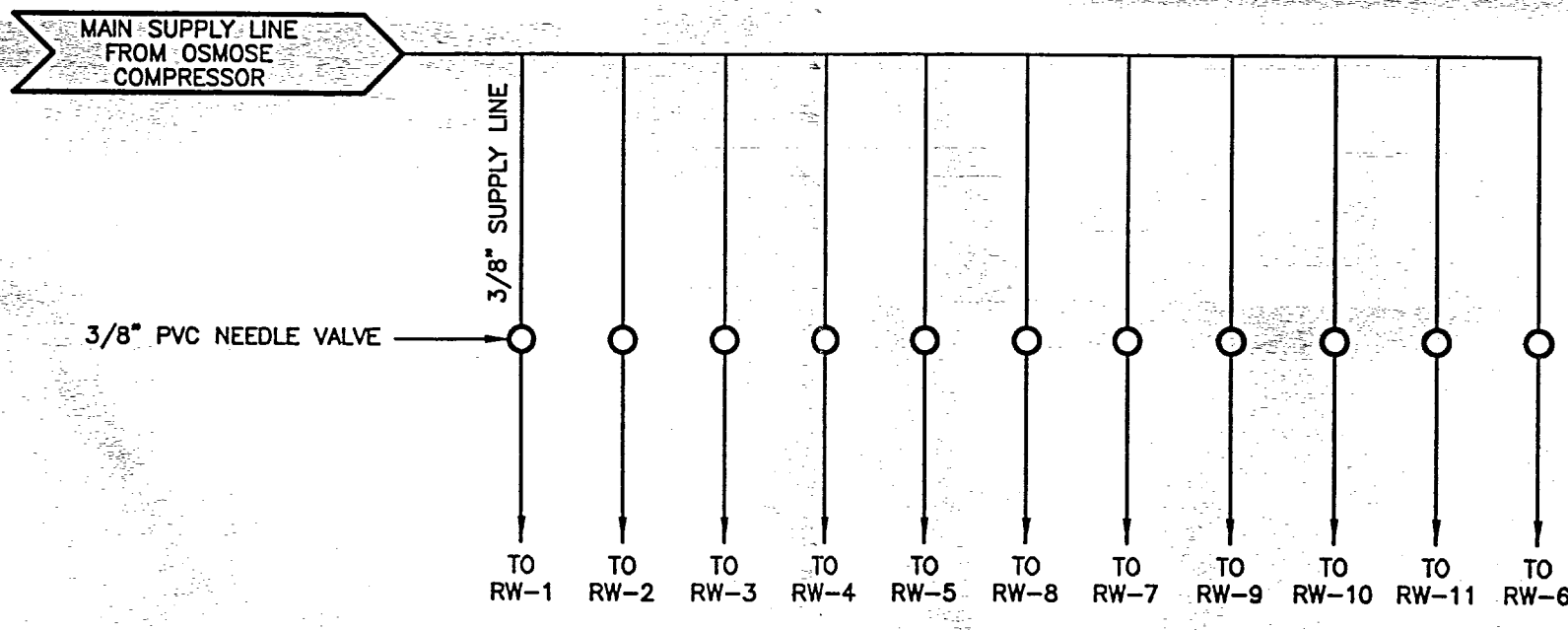




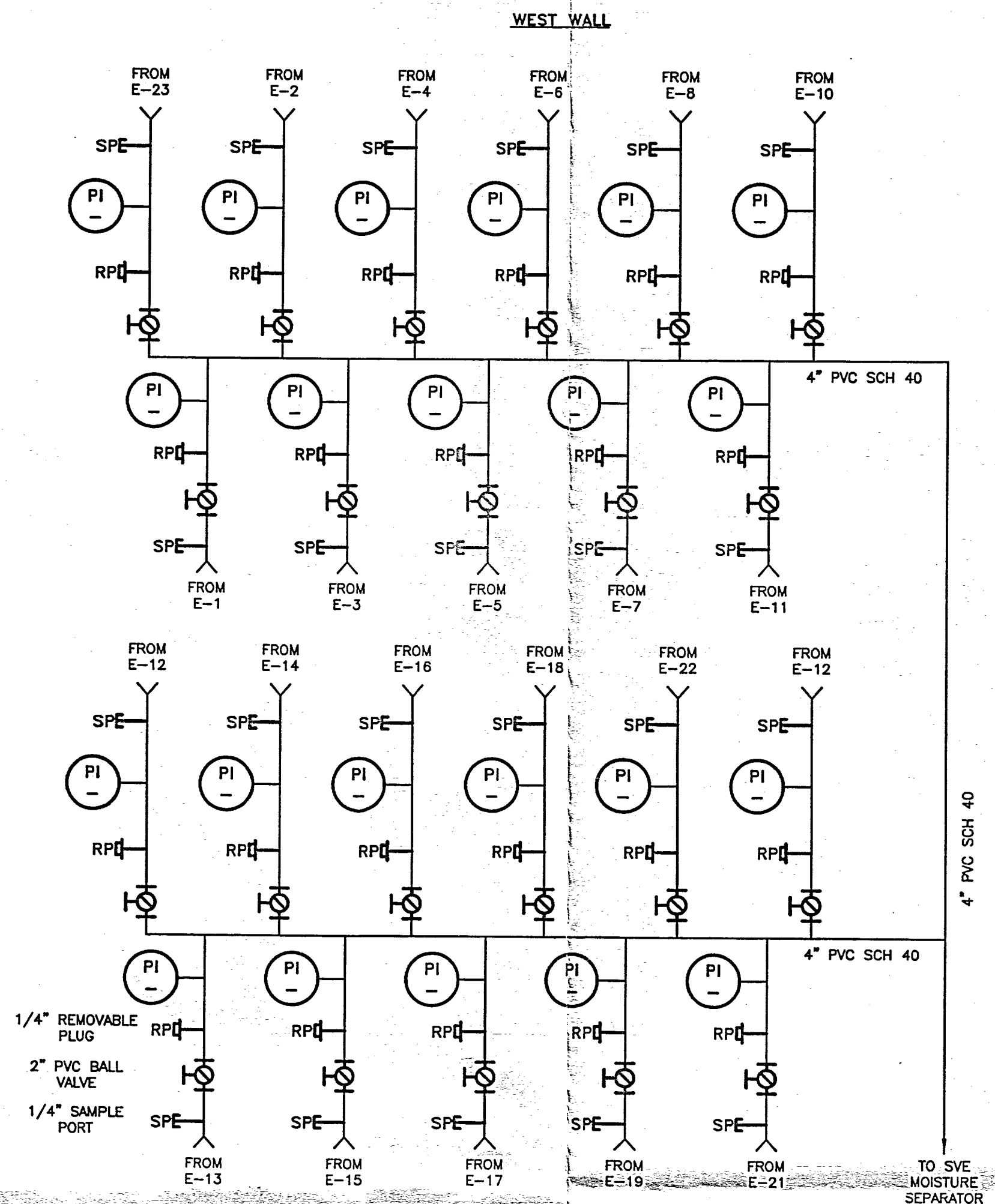
9 OZONE SPARGE MANIFOLD  
NOT TO SCALE



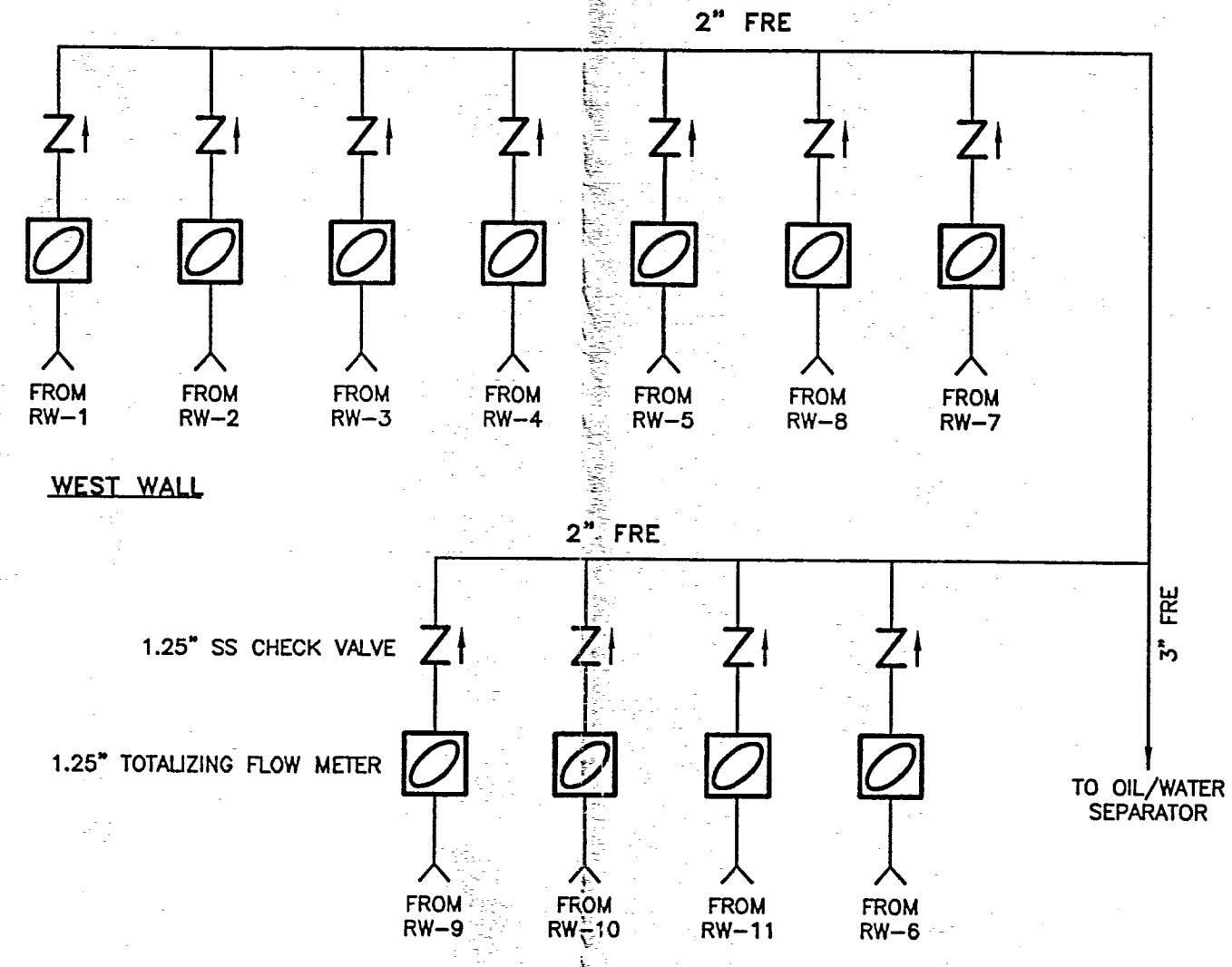
10 OZONE LINE SECONDARY CONTAINMENT PIPE LAYOUT  
NOT TO SCALE



13 AIR SUPPLY MANIFOLD  
NOT TO SCALE



11 SVE WELL MANIFOLD  
NOT TO SCALE



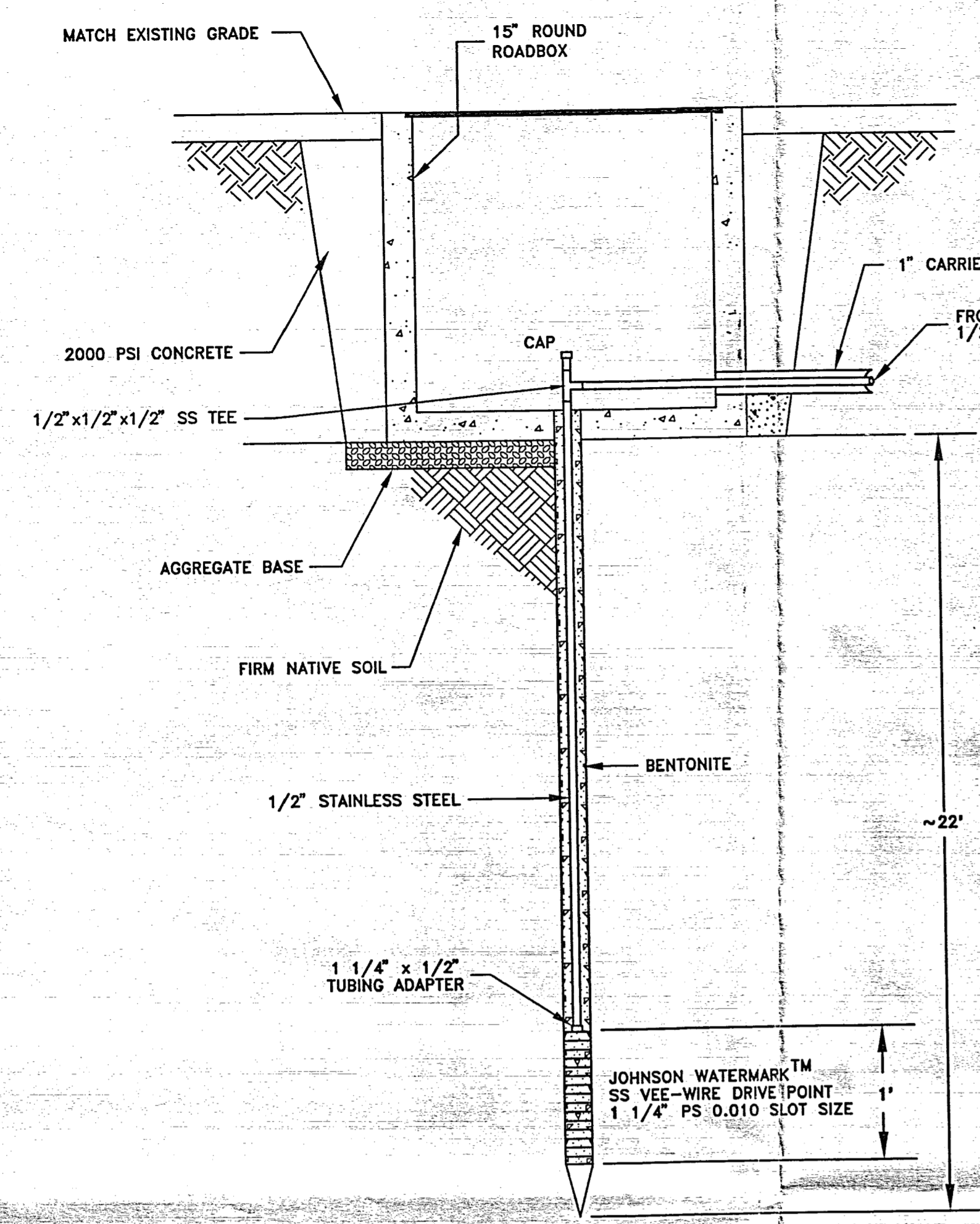
12 RECOVERY WELL MANIFOLD  
NOT TO SCALE

NO.	DATE	BY	REVISION
SIGNATURE		DATE	
REVIEW ENGR:			
PROJECT ENGR:			
PROJECT MGR:			
CLIENT:			
<b>GT ENGINEERING</b> 1245 KINGS ROAD SCHENECTADY, NY 12303 (518) 370-5631			
<b>OSMOSE, INC.</b> ELLICOTT STREET BUFFALO, NEW YORK			
<b>OZONE SPARGE / SVE MANIFOLD LAYOUTS</b>			
DESIGNED BY:	DETAILED BY:	CHECKED BY:	
KSD	DEO/SSH		
DRAWING DATE:	ACAD FILE:		
10/2/98	8061-D2		
PROJECT NO.:	CONTRACT:		
01110-8061			
FIGURE:	REVISION:		
D-2			

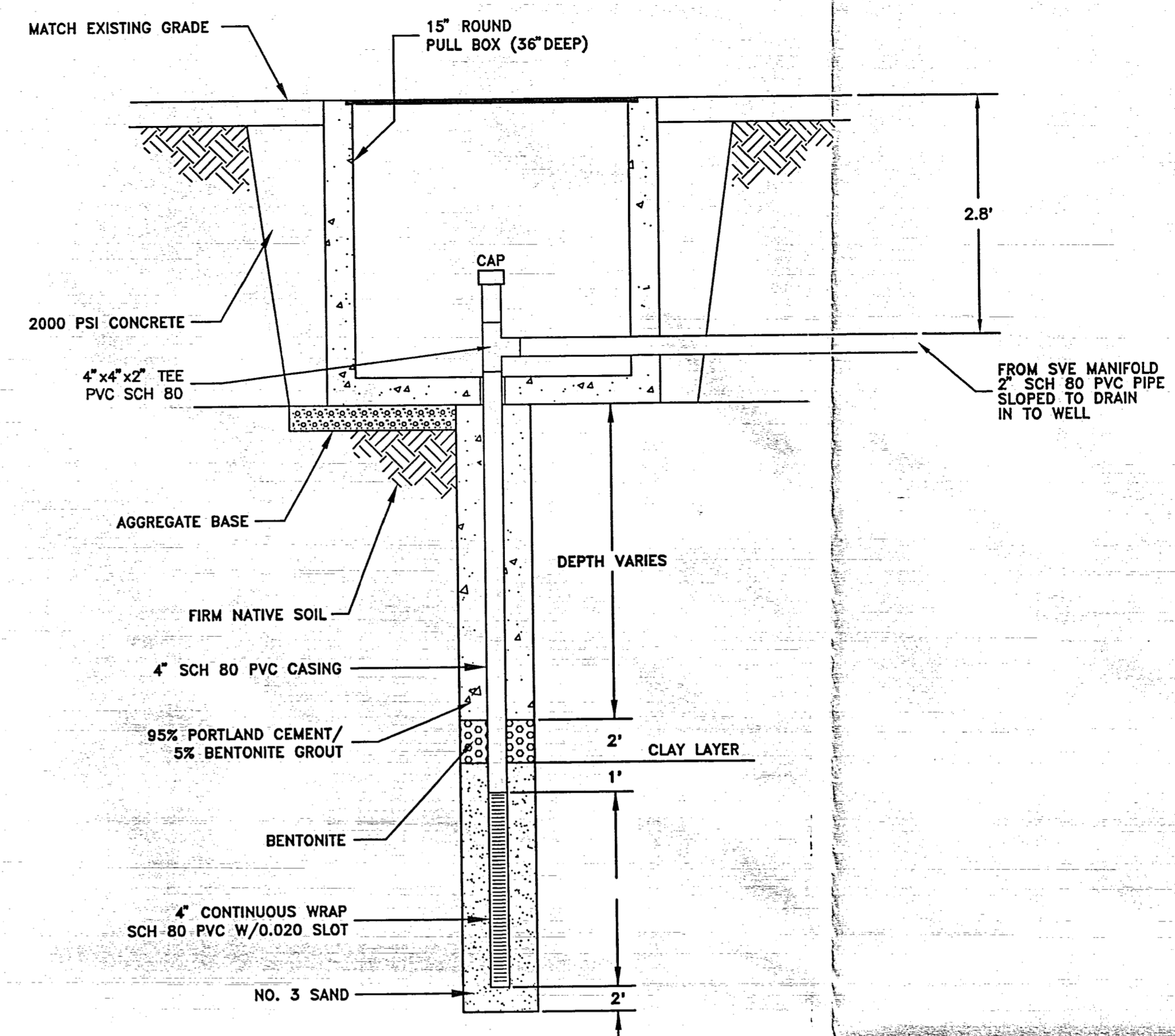
IT IS A VIOLATION OF SECTION 7209, SUBDIVISION 2, OF THE NEW YORK STATE EDUCATION LAW FOR ANY PERSON, OTHER THAN THOSE WHOSE SEAL APPEARS ON THIS DRAWING, TO ALTER IN ANY WAY AN ITEM ON THIS DRAWING. IF AN ITEM IS ALTERED, THE ALTERING ENGINEER SHALL AFFIX TO THE ITEM HIS SEAL AND THE NOTATION "ALTERED BY" FOLLOWED BY HIS SIGNATURE AND THE DATE OF SUCH ALTERATION, AND A SPECIFIC DESCRIPTION OF THE ALTERATION.

THIS DRAWING AND ANY ATTACHMENTS ("DRAWINGS"), HAVE BEEN PRODUCED FOR THE SOLE USE OF THE RECIPIENT AND MUST NOT BE USED, REUSED, REPRODUCED, MODIFIED OR COPIED ("USE") IN ANY MANNER WITHOUT PRIOR WRITTEN APPROVAL OF FLUOR DANIEL GTI, INC. THIS DRAWING MAY CONTAIN CONFIDENTIAL AND PROPRIETARY INFORMATION OF FLUOR DANIEL GTI, INC. ANY UNAUTHORIZED USE OF THIS DRAWING IS STRICTLY PROHIBITED.

NO.	DATE	BY	REVISION
-----	------	----	----------

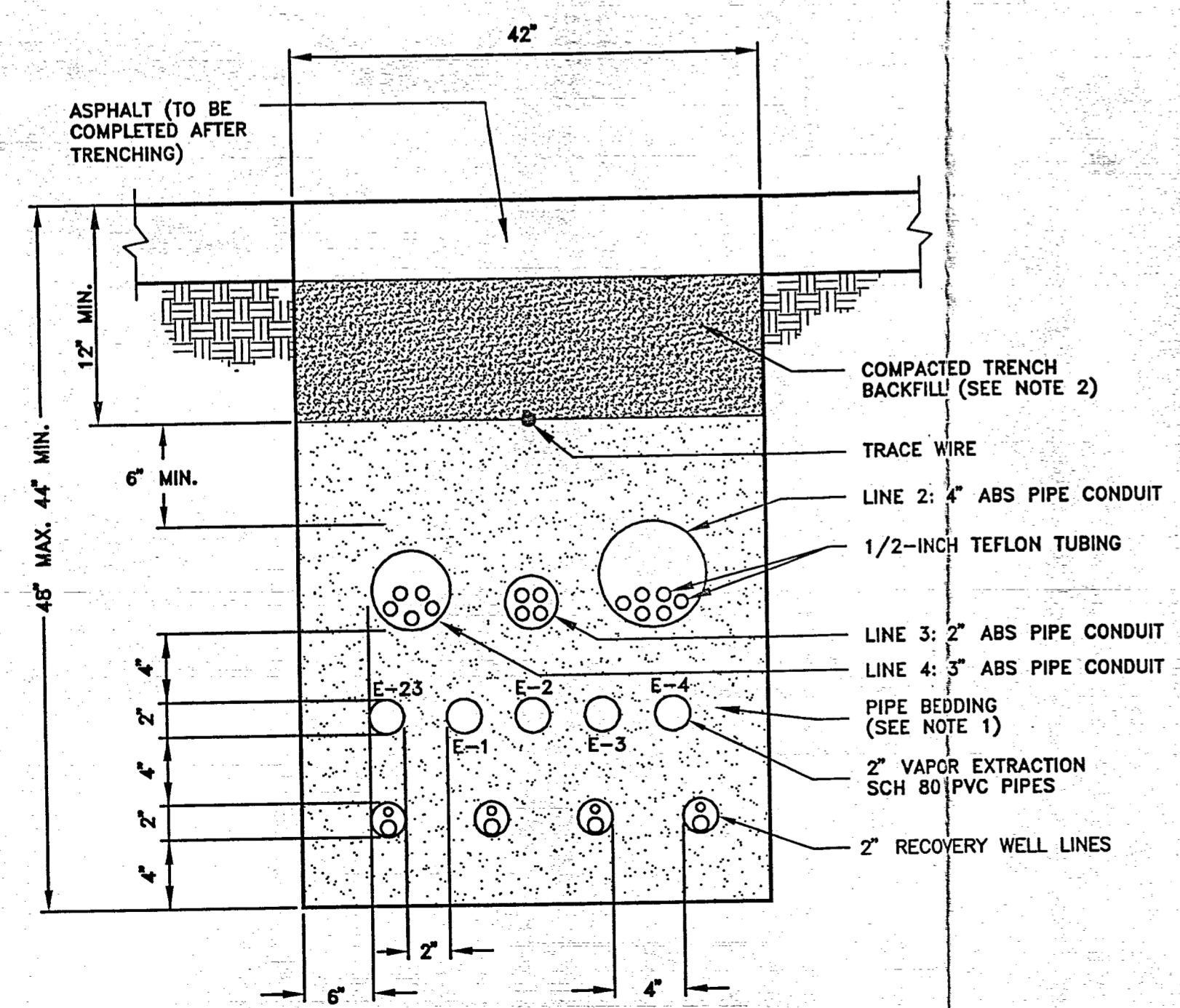


4 TYPICAL OZONE INJECTION WELL CONSTRUCTION  
NOT TO SCALE

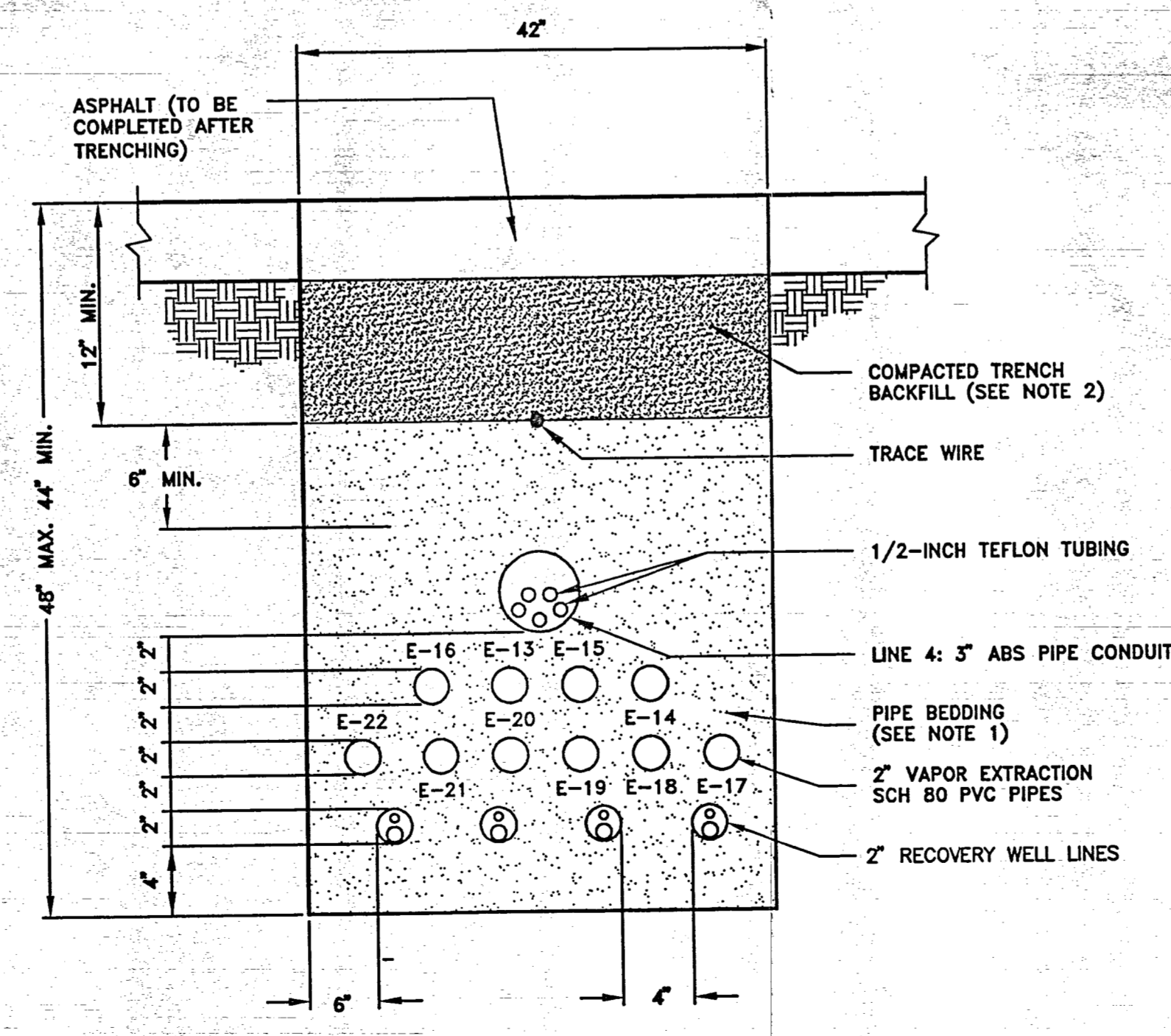


5 TYPICAL SVE WELL CONSTRUCTION  
NOT TO SCALE

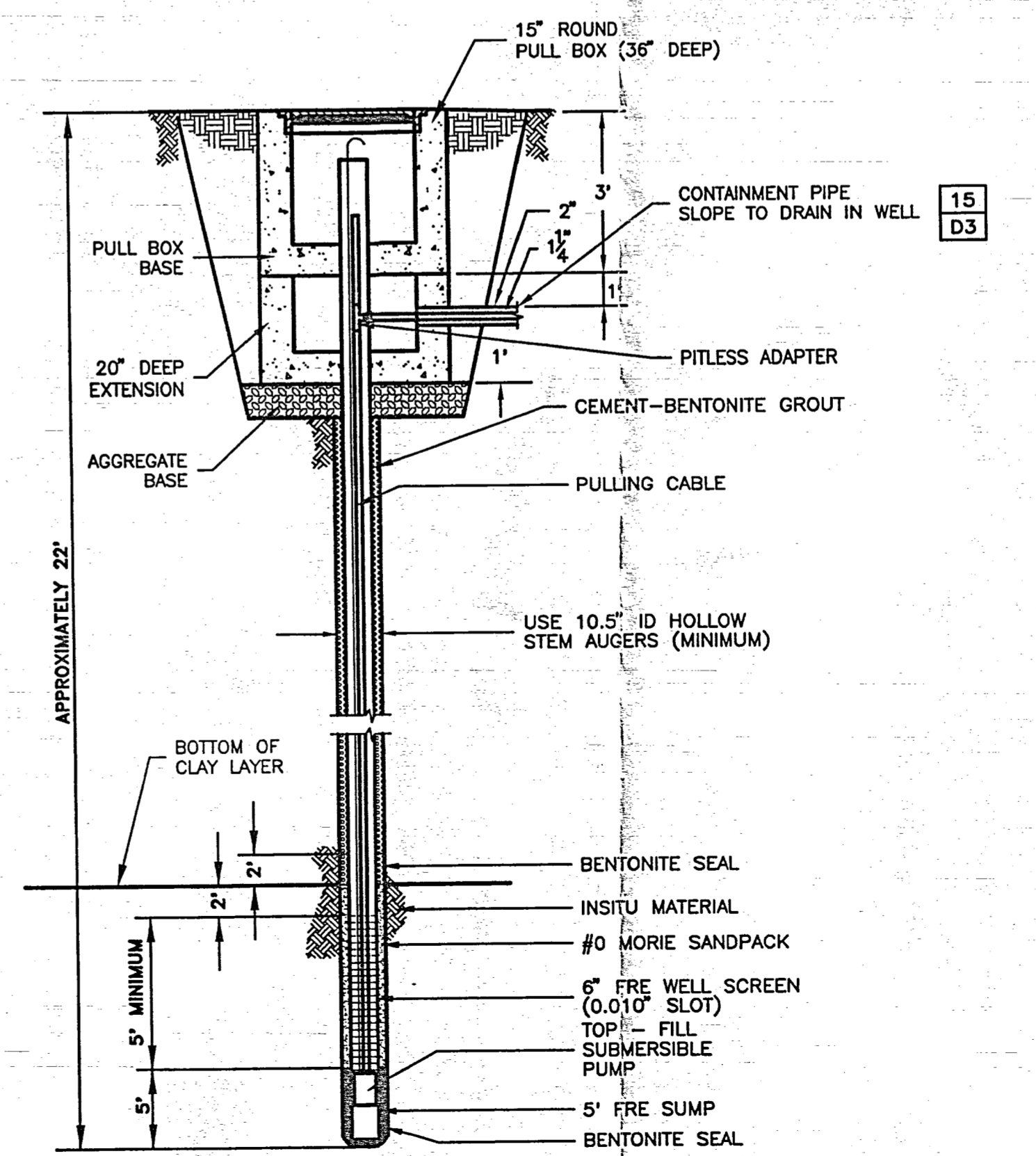
- NOTES:**
- 1) PIPE BEDDING SHALL BE NYSDOT MORTAR SAND OR CLEAN SAND TO A LEVEL OF 6" ABOVE THE HIGHEST PIPE, COMPACTED IN 6" LIFTS, MINIMUM OF 95% STANDARD PROCTER DENSITY.
  - 2) COMPACTED TRENCH BACKFILL IN PAVED AREAS SHALL CONSIST OF NYSDOT SUBBASE TYPE 1, COMPACTED TO A MINIMUM MODIFIED PROCTER OF 90% MAXIMUM DENSITY. COMPACTED TRENCH BACKFILL IN UNPAVED AREAS MAY CONSIST OF NATIVE SOIL, COMPACTED TO A MINIMUM OF 90% STANDARD PROCTER DENSITY.
  - 3) CUT SLOPES SHALL BE AS DETERMINED BY CONTRACTOR. ALL EXCAVATION WORK SHALL BE PERFORMED IN ACCORDANCE WITH ALL CONDITIONS SET FORTH BY OSHA'S REVISED STANDARDS FOR EXCAVATIONS, 29 CFR 1926 SUBPART P.
  - 4) NEW PAVEMENT AND AGGREGATE BASE SHALL BE OF THE SAME TYPE AND THICKNESS AS THAT WHICH IS REMOVED.
  - 5) REMOVE AND DISPOSE OF ALL EXCESS MATERIALS IN CONFORMANCE WITH APPLICABLE REGULATIONS.
  - 6) CARRIER CASING SHALL BE SEALED OFF AT ENTRANCE TO PULL BOX.



6 TYPICAL TRENCH SECTION  
NOT TO SCALE



7 TYPICAL TRENCH SECTION  
NOT TO SCALE



8 TYPICAL RECOVERY WELL SECTION  
NOT TO SCALE

IT IS A VIOLATION OF SECTION 7209, SUBDIVISION 2, OF THE NEW YORK STATE EDUCATION LAW FOR ANY PERSON, OTHER THAN THOSE WHOSE SEAL APPEARS ON THIS DRAWING, TO ALTER IN ANY WAY AN ITEM ON THIS DRAWING. IF AN ITEM IS ALTERED, THE ALTERING ENGINEER SHALL AFFIX TO THE ITEM HIS SEAL AND THE NOTATION "ALTERED BY" FOLLOWED BY HIS SIGNATURE AND THE DATE OF SUCH ALTERATION, AND A SPECIFIC DESCRIPTION OF THE ALTERATION.

THIS DRAWING AND ANY ATTACHMENTS ("DRAWINGS"), HAVE BEEN PRODUCED FOR THE SOLE USE OF THE RECIPIENT AND MUST NOT BE USED, REUSED, REPRODUCED, MODIFIED OR COPIED ("USE") IN ANY MANNER WITHOUT PRIOR WRITTEN APPROVAL OF FLUOR DANIEL GT, INC. THIS DRAWING MAY CONTAIN CONFIDENTIAL AND PROPRIETARY INFORMATION OF FLUOR DANIEL GT, INC. ANY UNAUTHORIZED USE OF THIS DRAWING IS STRICTLY PROHIBITED.

SIGNATURE	DATE
REVIEW ENGR:	
PROJECT ENGR:	
PROJECT MGR:	
CLIENT:	

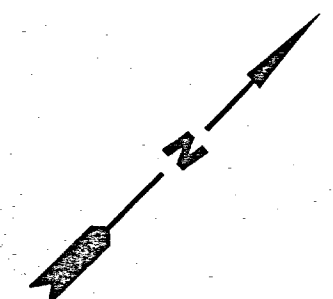
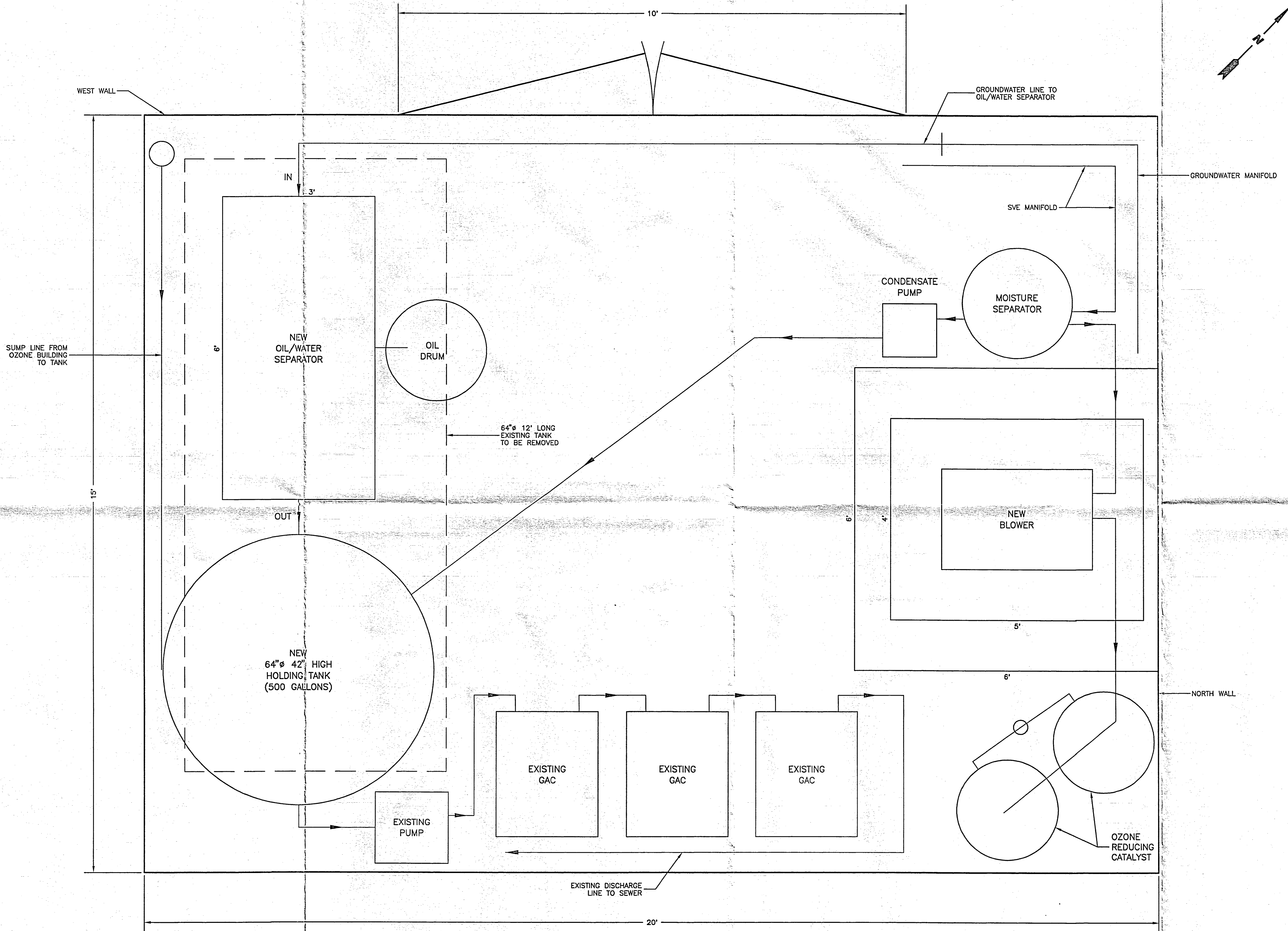
**GT ENGINEERING**  
1245 KINGS ROAD  
SCHENECTADY, NY 12303  
(518) 370-5631

**OSMOSE, INC.**

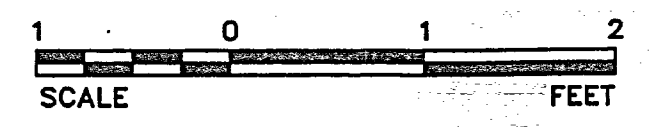
ELLCOTT STREET  
BUFFALO, NEW YORK

**WELL AND TRENCHING DETAILS**

DESIGNED BY: KSD/BT	DETAILED BY: SWL/BT/SSH	CHECKED BY:
DRAWING DATE: 10/01/98	ACAD FILE: 8061-D1	
PROJECT NO.:	CONTRACT:	
01110-8061		
DRAWING:	REVISION:	
<b>D-1</b>		



NO.	DATE	BY	REVISION



SIGNATURE	DATE
REVIEW ENGR:	
PROJECT ENGR:	
PROJECT MGR:	
CLIENT:	

**GT ENGINEERING**  
 1245 KINGS ROAD  
 SCHENECTADY, NY 12303  
 (518) 370-5631

**OSMOSE, INC.**

ELLICOTT STREET  
 BUFFALO, NEW YORK

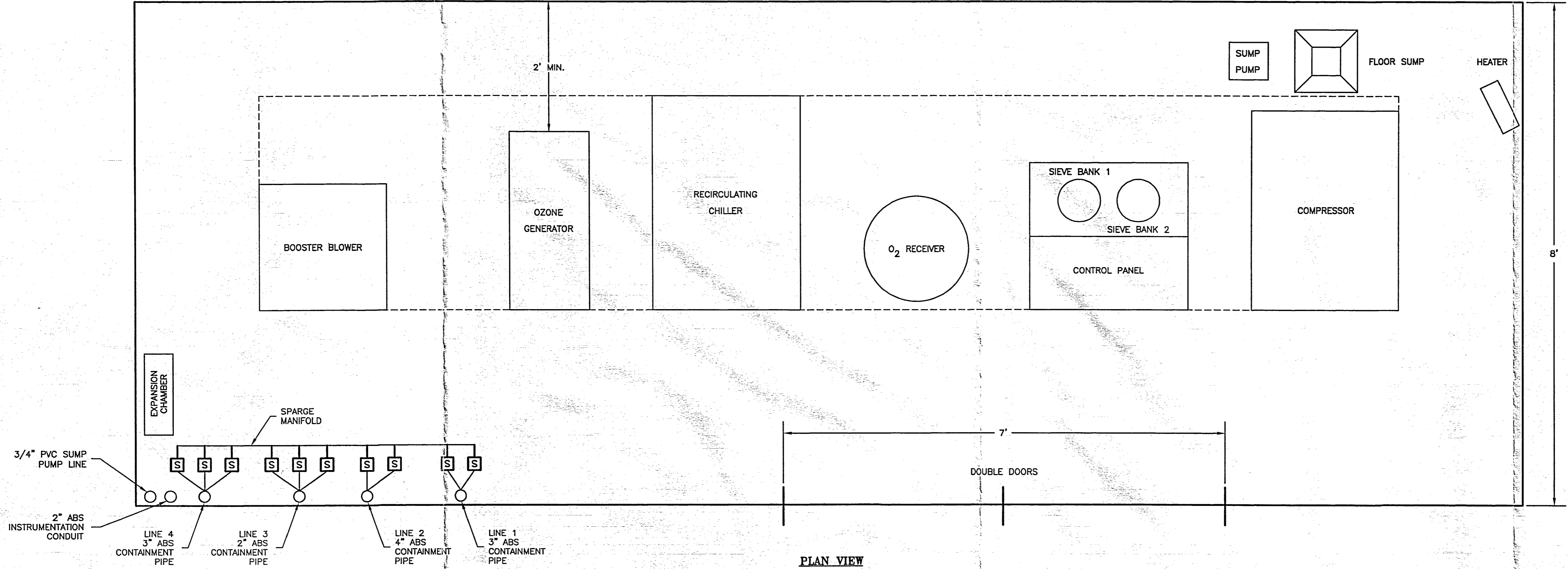
**EXISTING TREATMENT BUILDING**

DESIGNED BY: KSD	DETAILED BY: DEO	CHECKED BY:
DRAWING DATE: 10/2/98	ACAD FILE: 8061-S2	
PROJECT NO.:	CONTRACT:	
DRAWING: <b>S-2</b>	REVISION:	

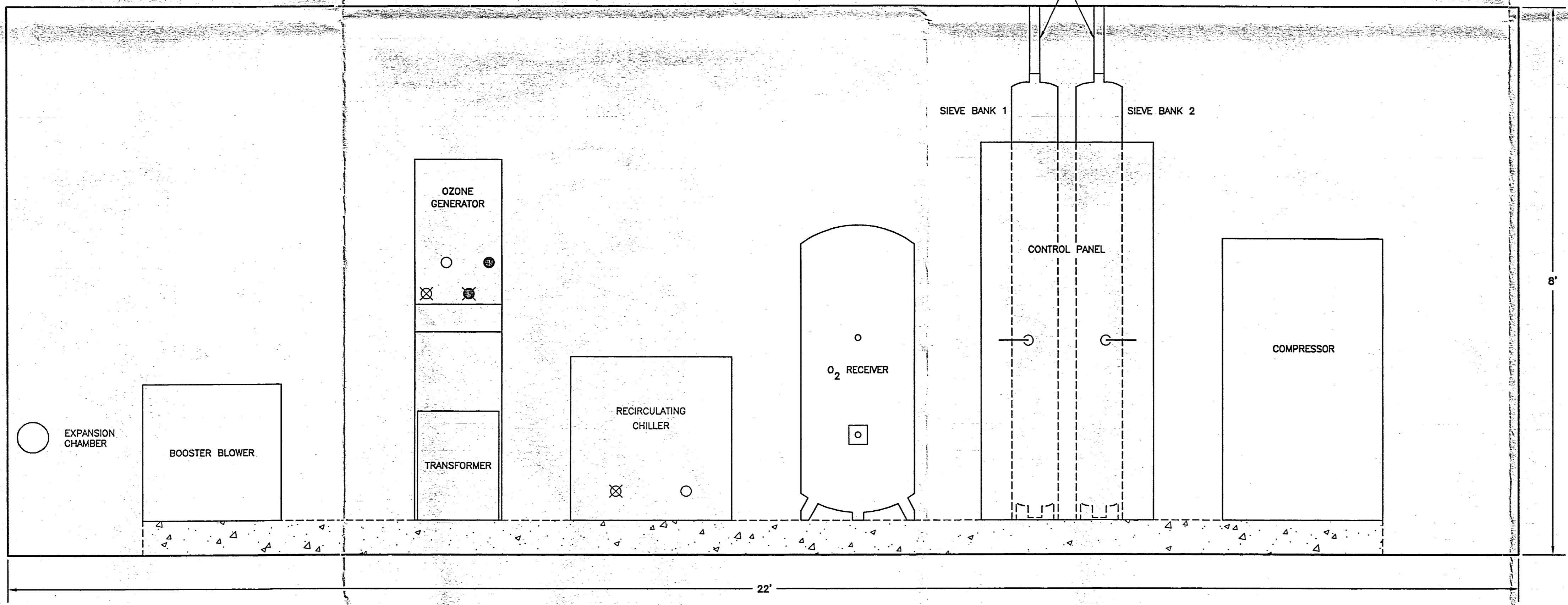
IT IS A VIOLATION OF SECTION 7209, SUBDIVISION 2, OF THE NEW YORK STATE EDUCATION LAW FOR ANY PERSON, OTHER THAN THOSE WHOSE SEAL APPEARS ON THIS DRAWING, TO ALTER IN ANY WAY AN ITEM ON THIS DRAWING. IF AN ITEM IS ALTERED, THE ALTERING ENGINEER SHALL AFFIX TO THE ITEM HIS SEAL AND THE NOTATION "ALTERED BY" FOLLOWED BY HIS SIGNATURE AND THE DATE OF SUCH ALTERATION, AND A SPECIFIC DESCRIPTION OF THE ALTERATION.

THIS DRAWING AND ANY ATTACHMENTS ("DRAWINGS"), HAVE BEEN PRODUCED FOR THE SOLE USE OF THE RECIPIENT AND MUST NOT BE USED, REUSED, REPRODUCED, MODIFIED OR COPIED ("USE") IN ANY MANNER WITHOUT PRIOR WRITTEN APPROVAL OF FLUOR DANIEL GTI, INC. THIS DRAWING MAY CONTAIN CONFIDENTIAL AND PROPRIETARY INFORMATION OF FLUOR DANIEL GTI, INC. ANY UNAUTHORIZED USE OF THIS DRAWING IS STRICTLY PROHIBITED.

NO.	DATE	BY	REVISION
-----	------	----	----------



PLAN VIEW



FRONT VIEW

IT IS A VIOLATION OF SECTION 7209, SUBDIVISION 2, OF THE NEW YORK STATE EDUCATION LAW FOR ANY PERSON, OTHER THAN THOSE WHOSE SEAL APPEARS ON THIS DRAWING, TO ALTER IN ANY WAY AN ITEM ON THIS DRAWING. IF AN ITEM IS ALTERED, THE ALTERING ENGINEER SHALL AFFIX TO THE ITEM HIS SEAL AND THE NOTATION "ALTERED BY" FOLLOWED BY HIS SIGNATURE AND THE DATE OF SUCH ALTERATION, AND A SPECIFIC DESCRIPTION OF THE ALTERATION.

THIS DRAWING AND ANY ATTACHMENTS ("DRAWINGS"), HAVE BEEN PRODUCED FOR THE SOLE USE OF THE RECIPIENT AND MUST NOT BE USED, REUSED, REPRODUCED, MODIFIED OR COPIED ("USE") IN ANY MANNER WITHOUT PRIOR WRITTEN APPROVAL OF FLUOR DANIEL CTI, INC. THIS DRAWING MAY CONTAIN CONFIDENTIAL AND PROPRIETARY INFORMATION OF FLUOR DANIEL CTI, INC. ANY UNAUTHORIZED USE OF THIS DRAWING IS STRICTLY PROHIBITED.

SIGNATURE	DATE
REVIEW ENGR:	
PROJECT ENGR:	
PROJECT MGR:	
CLIENT:	

**GT ENGINEERING**  
 1245 KINGS ROAD  
 SCHENECTADY, NY 12303  
 (518) 370-5631

**OSMOSE, INC.**

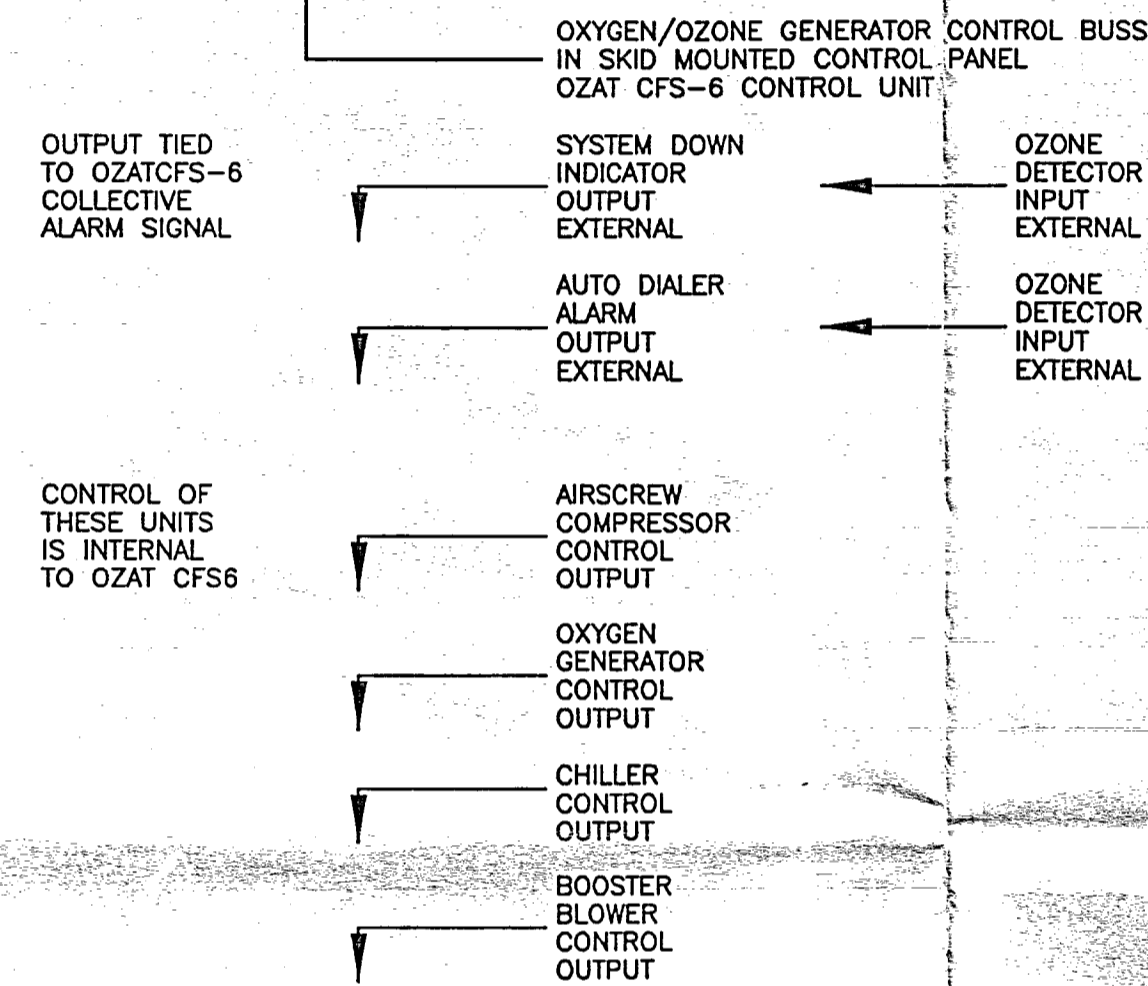
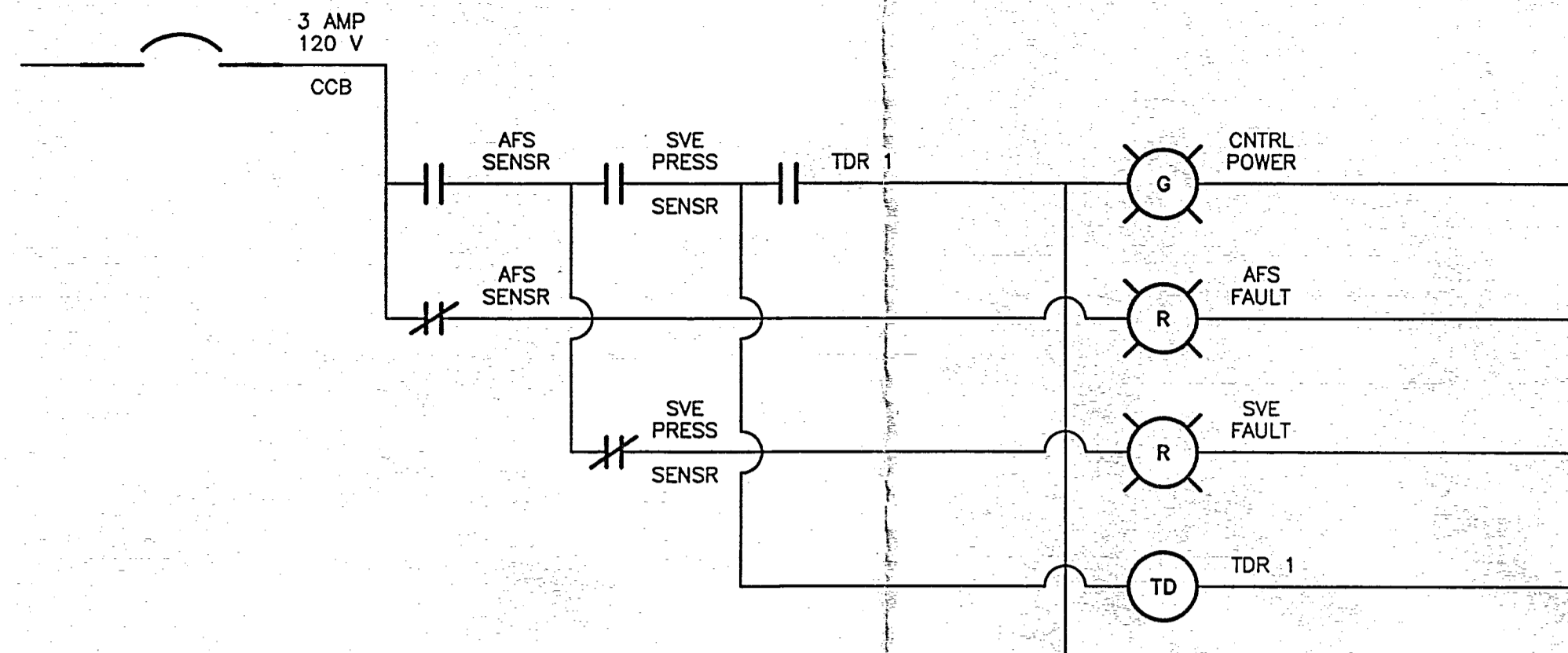
ELLICOTT STREET  
 BUFFALO, NEW YORK

**REMEDIATION SHED LAYOUT**

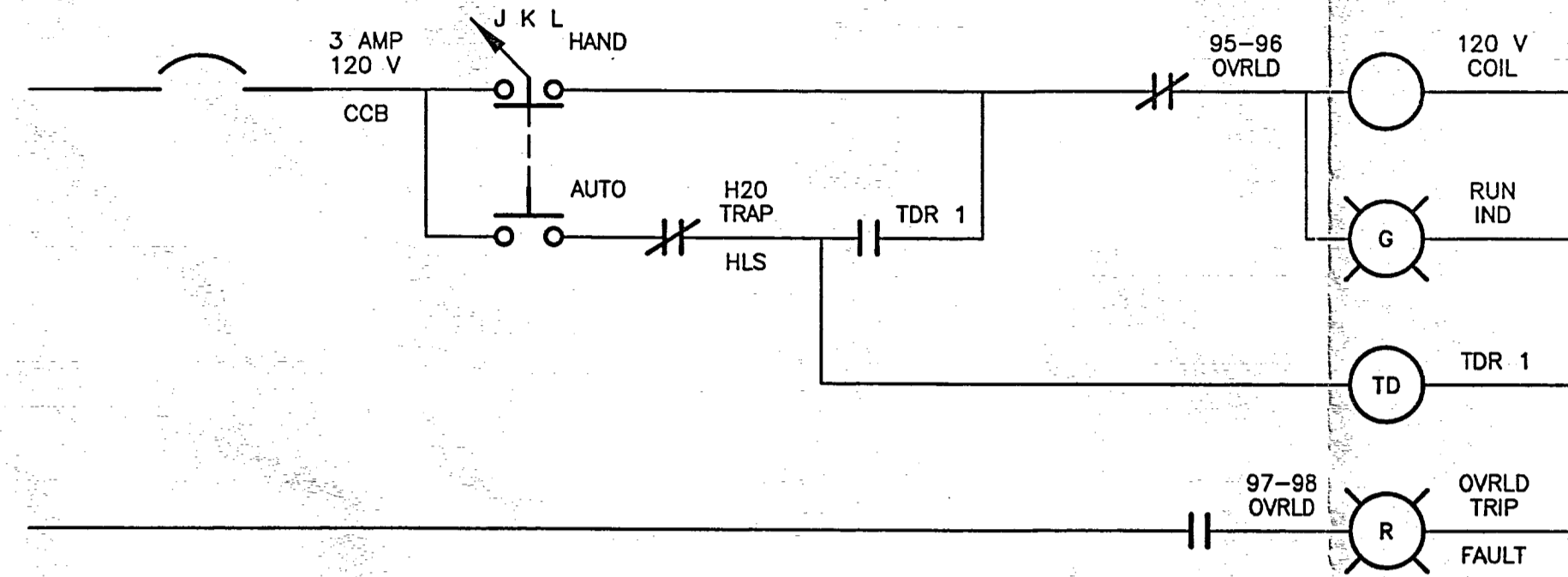
DESIGNED BY: KSD/BMT	DETAILED BY: SWL/BMT/SSH	CHECKED BY:
DRAWING DATE: 9/16/98	ACAD FILE: 8061-S1	
PROJECT NO.: 01110-8061	CONTRACT:	
DRAWING:	REVISION:	

**S-1**

THE EXISTING CONTROL CIRCUIT ORIGINATING IN THE OXYGEN AND OZONE GENERATOR CONTROL CABINET WILL BE PICKED UP AND RUN THROUGH AN EXTERNAL AIR FLOW SENSOR AND THEN RETURNED TO THE CONTROL PANEL.



SVE/K-300 BLOWER WILL BE AN AUTONOMOUS SYSTEM THE ONLY EXTERNAL LOCKOUT WILL BE THE HIGH LEVEL SENSOR IN THE MOISTURE TANK.



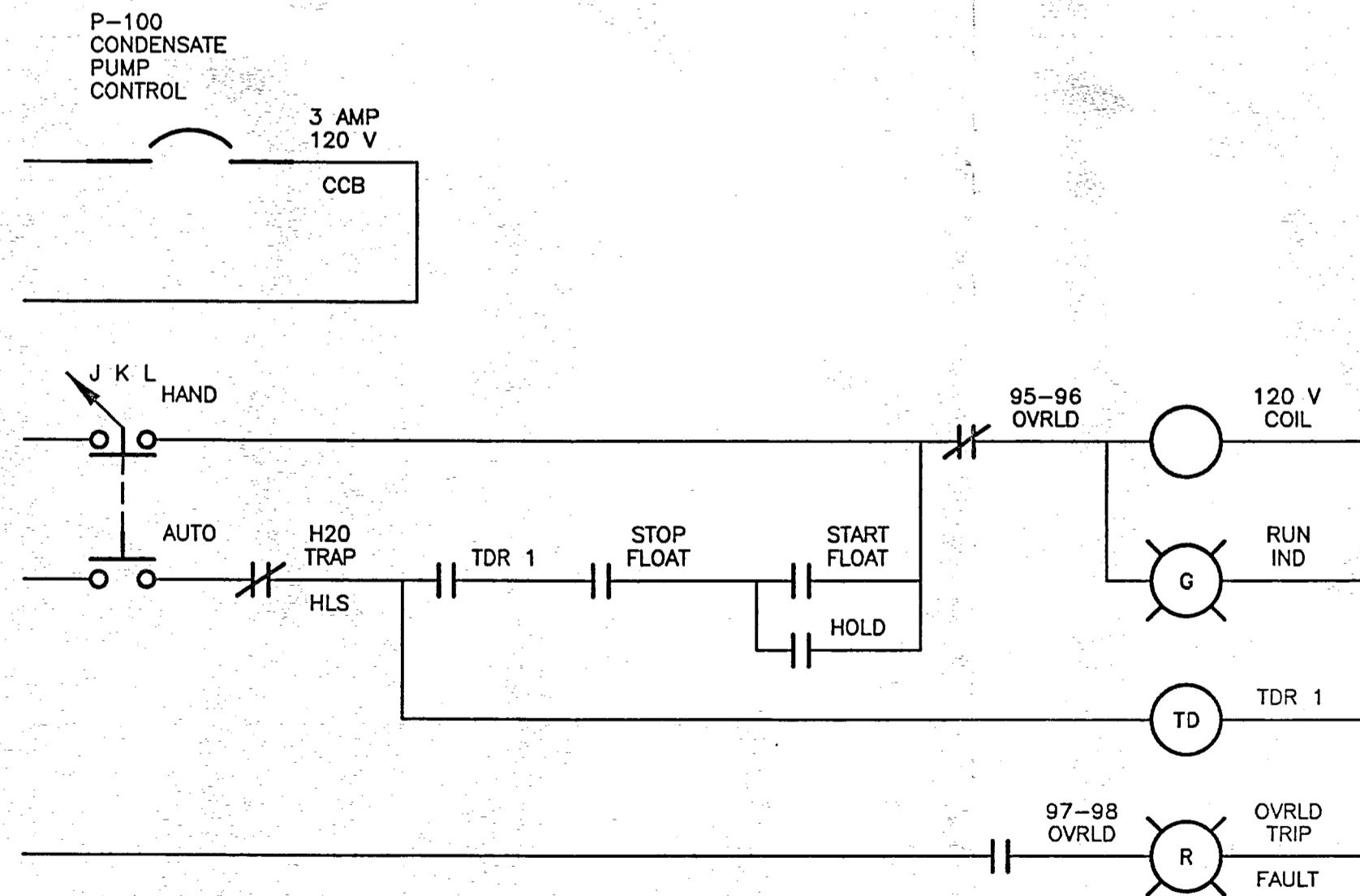
NOTES:

HIGH LEVEL SENSOR SIGNAL WILL BE INPUT THROUGH A TIME DELAY RELAY TO STOP RAPID CYCLING OF MOTOR

HIGH LEVEL SENSOR IN MOISTURE KNOCKOUT TANK WIRED THROUGH ISR REPEATER

SENSORS PLACED ON K-300 OUTPUT AIRSTREAM WILL BE INPUT TO OXYGEN & OZONE GENERATOR CONTROL PANEL

P-100 CONDENSATE PUMP SHOULD BE MOYNO SCREW PUMP TO ALLOW FOR LIQUID LEVEL DRAW AGAINST THE VACUUM CREATED BY THE SVE BLOWER WITHOUT SHUT DOWN. THIS WILL KEEP ENTIRE SYSTEM FROM CYCLING.



NOTES:

P-100 CONDENSATE PUMP RUNS AS AN AUTONOMOUS SYSTEM. THE ONLY LOCKOUT IS THE HIGH LEVEL SENSOR IN THE OIL WATER SEPARATOR.

HIGH LEVEL SENSOR IN OIL WATER SEPARATOR, STOP FLOAT AND START FLOAT WILL BE WIRED THROUGH AN ISR ISOLATION/REPEATER RELAY.

HIGH LEVEL SENSOR SIGNAL/OIL WATER SEPARATOR WILL HAVE TIME DELAY FUNCTION TO ALLOW FOR ADEQUATE DISCHARGE OF PROCESSED WATER.

IT IS A VIOLATION OF SECTION 7209, SUBDIVISION 2, OF THE NEW YORK STATE EDUCATION LAW FOR ANY PERSON, OTHER THAN THOSE WHOSE SEAL APPEARS ON THIS DRAWING, TO ALTER IN ANY WAY AN ITEM ON THIS DRAWING. IF AN ITEM IS ALTERED, THE ALTERING ENGINEER SHALL AFFIX TO THE ITEM HIS SEAL AND THE NOTATION "ALTERED BY" FOLLOWED BY HIS SIGNATURE AND THE DATE OF SUCH ALTERATION, AND A SPECIFIC DESCRIPTION OF THE ALTERATION.

THIS DRAWING AND ANY ATTACHMENTS ("DRAWINGS"), HAVE BEEN PRODUCED FOR THE SOLE USE OF THE RECIPIENT AND MUST NOT BE USED, REUSED, REPRODUCED, MODIFIED OR COPIED ("USE") IN ANY MANNER WITHOUT PRIOR WRITTEN APPROVAL OF FLUOR DANIEL GTI, INC. THIS DRAWING MAY CONTAIN CONFIDENTIAL AND PROPRIETARY INFORMATION OF FLUOR DANIEL GTI, INC. ANY UNAUTHORIZED USE OF THIS DRAWING IS STRICTLY PROHIBITED.

NO.	DATE	BY	REVISION

SIGNATURE	DATE
REVIEW ENGR:	
PROJECT ENGR:	
PROJECT MGR:	
CLIENT:	

**GT ENGINEERING**  
 1245 KINGS ROAD  
 SCHENECTADY, NY 12303  
 (518) 370-5631

**OSMOSE**

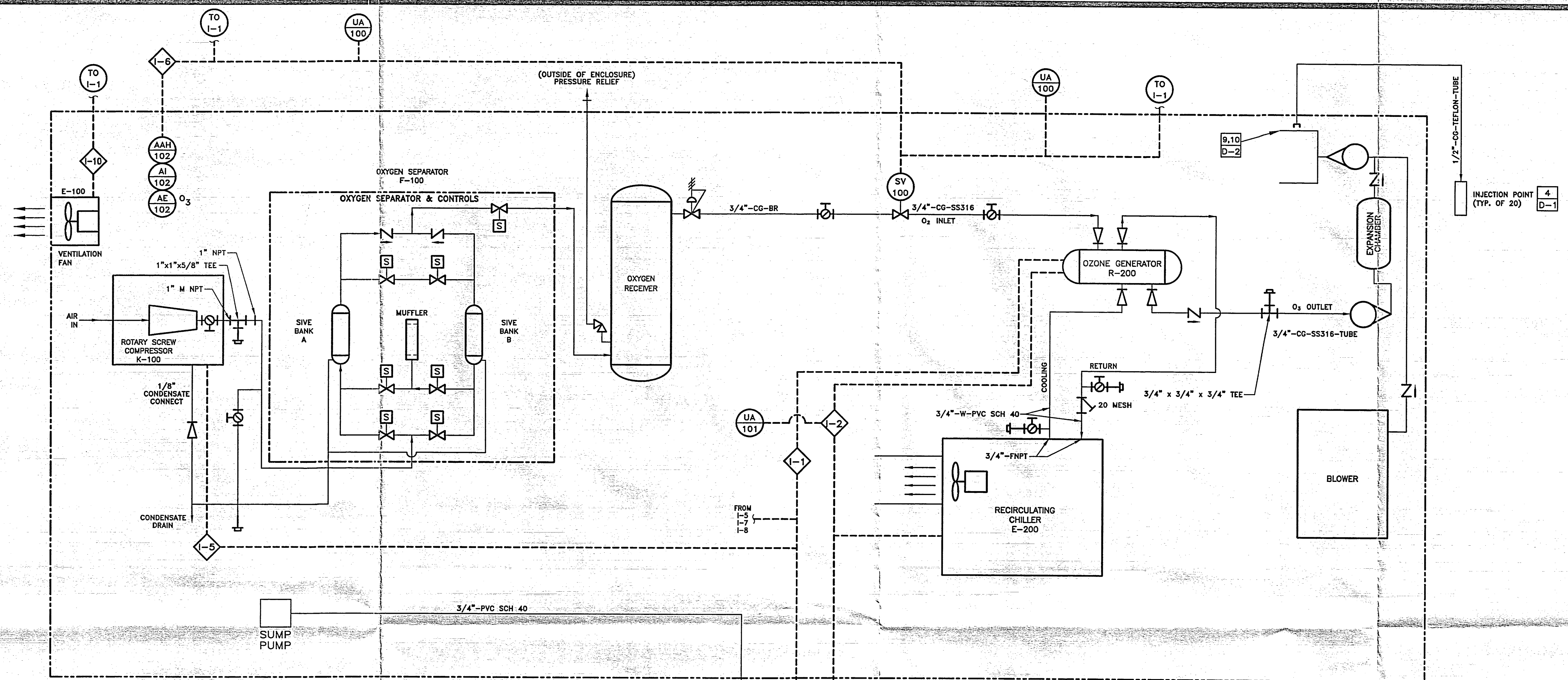
ELLCOTT STREET  
 BUFFALO, NEW YORK

**INSTRUMENTATION  
 LOGIC DIAGRAMS**

DESIGNED BY: KSD	DETAILED BY: DEO	CHECKED BY:
DRAWING DATE: 10/2/98	ACAD FILE: 8061-P3	
PROJECT NO.:	CONTRACT:	
01110-8061		

FIGURE: **P-3** REVISION: -

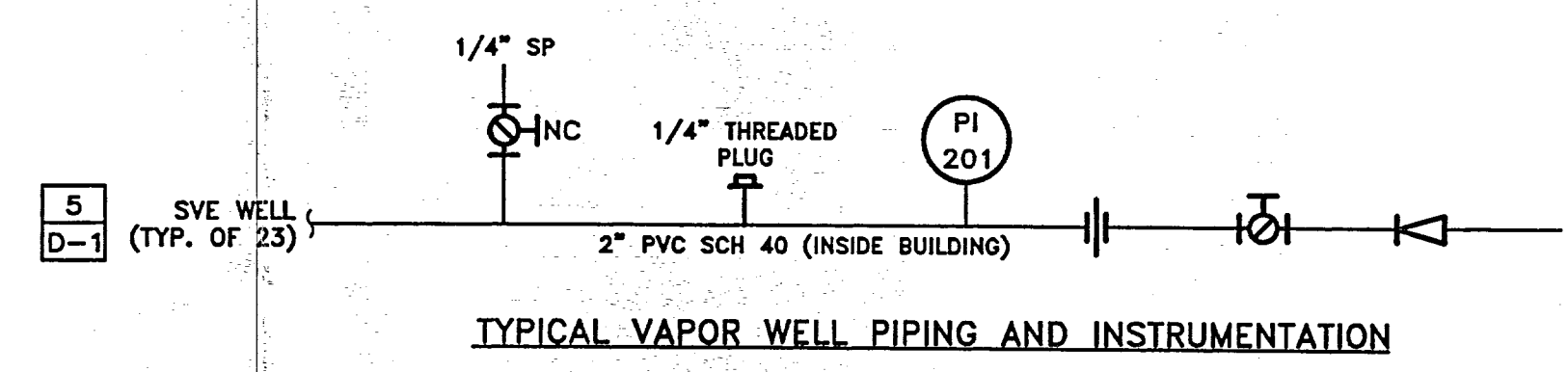
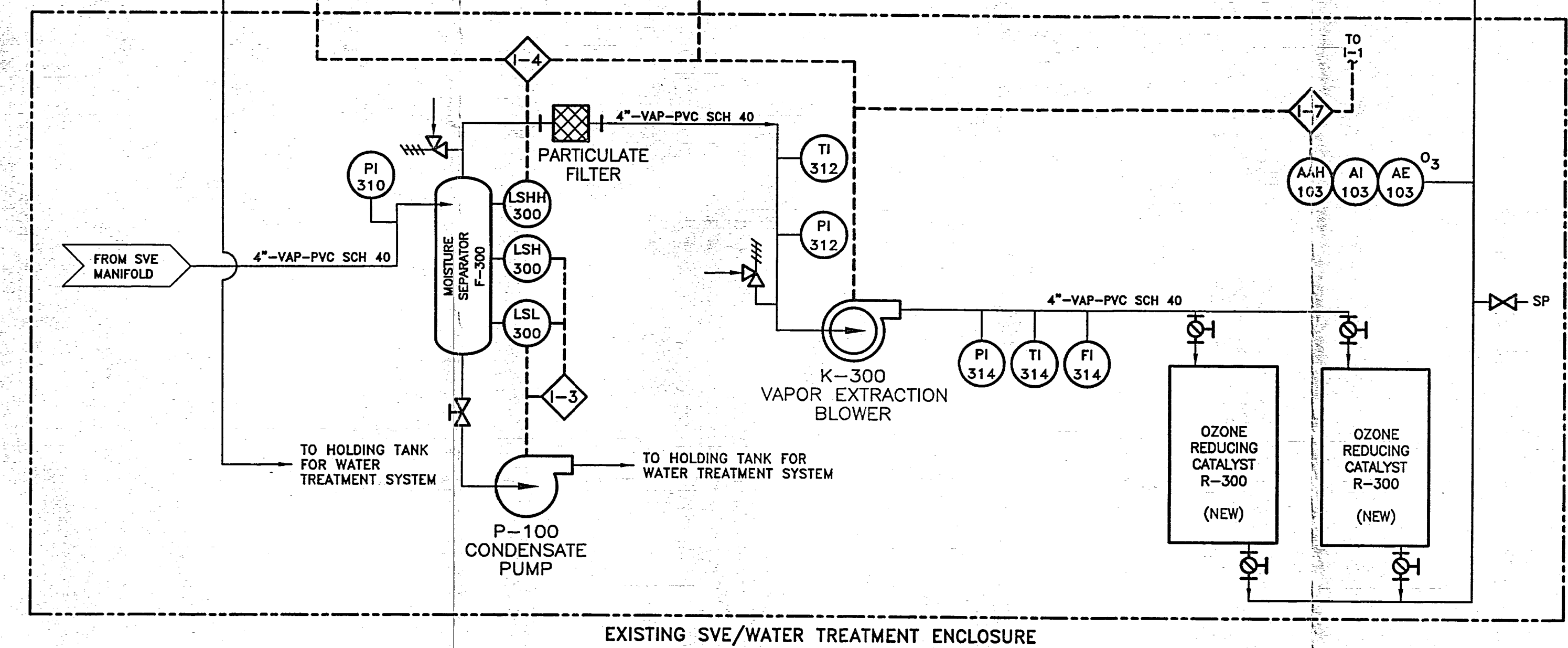
NO.	DATE	BY	REVISION



- NOTES:
- A) ALL MATERIALS ON DISCHARGE OF OZONE GENERATOR SHALL BE - STAINLESS STEEL 316
  - B) ALL SCREWED JOINTS SHALL BE SEALED WITH TEFLON TAPE ON THREADS AND SEALED WITH GE 1000 CAULK. PIPE DOPE OR ANAEROBIC PIPE THREAD SEALANT SHALL NOT BE USED.
  - C) ALL JOINTS SHALL BE CHECKED FOR LEAKS UNDER AIR OR OXYGEN SERVICE USING SOAP SOLUTION AND LEAKS SHALL BE ELIMINATED PRIOR TO GENERATING OZONE.

SIGNATURE	DATE
REVIEW ENGR:	
PROJECT ENGR:	
PROJECT MGR:	
CLIENT:	

- INTERLOCKS**
- I-1 WITH OZONE GENERATOR AND VAPOR EXTRACTION BLOWER K-300 OPERATING, IF K-300 SHUTS DOWN, OR GAS ALARMS ARE REGISTERED, THE OZONE GENERATOR IS SHUT DOWN.
  - I-2 WITH OZONE GENERATOR, CHILLER E-200 AND VAPOR EXTRACTION BLOWER K-300 OPERATING, IF THE OZONE GENERATOR SHUTS DOWN, AFTER A TIME DELAY OF 1 HOUR, E-200 AND K-300 ARE SHUT DOWN. AN AUTODIALER (UA-101) NOTIFIES REMOTE LOCATION BY PHONE.
  - I-3 IF LIQUID RISES TO THE LEVEL OF LSH-300, PUMP P-100 IS STARTED AND OPERATES UNTIL LIQUID DROPS BELOW LSL-300.
  - I-4 WITH VAPOR EXTRACTION BLOWER K-300 OPERATING, IF LIQUID RISES TO THE LEVEL OF LSHH-300, K-300 IS SHUT DOWN.
  - I-5 WITH OZONE GENERATOR AND VAPOR EXTRACTION BLOWER K-300 OPERATING, IF K-300 SHUTS DOWN, THE ROTARY SCREW COMPRESSOR K-100 IS SHUT DOWN.
  - I-6 IF OXYGEN CONCENTRATION EXCEEDS 22% AS MEASURED AT AE 102, THE OZONE GENERATORS SHUT DOWN, THE OXYGEN SUPPLY SOLENOID VALVE, SV-100, SHUTS, AND AN AUTODIALER (UA-100) NOTIFIES REMOTE LOCATION BY PHONE.
  - I-7 WITH VAPOR EXTRACTION BLOWER K-300 OPERATING, IF OZONE CONCENTRATION MEASURE AT AE 103 EXCEEDS 30 PPWM, BLOWER K-300 IS SHUT DOWN.
  - I-8 IN THE EVENT THE OZONE GENERATOR SHUTS DOWN, THE SOLENOID VALVE WILL CLOSE (SEE DETAIL 5 SHEET 8).
  - I-9 THE SOLENOID VALVES FOR INDIVIDUAL SPARGE WELLS WILL BE OPENED SEQUENTIALLY, AND AT PRE-SET TIME INTERVALS. ONLY ONE SOLENOID VALVE WILL BE OPEN AT ANY TIME DURING NORMAL OPERATIONS (SEE DETAIL 5 SHEET 8).
  - I-10 IF VENTILATION FAN (E-100) IS OFF, THE OZONE GENERATOR (R-200) SHUTS DOWN.



IT IS A VIOLATION OF SECTION 7209, SUBDIVISION 2, OF THE NEW YORK STATE EDUCATION LAW FOR ANY PERSON, OTHER THAN THOSE WHOSE SEAL APPEARS ON THIS DRAWING, TO ALTER IN ANY WAY AN ITEM ON THIS DRAWING. IF AN ITEM IS ALTERED, THE ALTERING ENGINEER SHALL AFFIX TO THE ITEM HIS SEAL AND THE NOTATION "ALTERED BY" FOLLOWED BY HIS SIGNATURE AND THE DATE OF SUCH ALTERATION, AND A SPECIFIC DESCRIPTION OF THE ALTERATION.

THIS DRAWING AND ANY ATTACHMENTS ("DRAWINGS"), HAVE BEEN PRODUCED FOR THE SOLE USE OF THE RECIPIENT AND MUST NOT BE USED, REUSED, REPRODUCED, MODIFIED OR COPIED ("USE") IN ANY MANNER WITHOUT PRIOR WRITTEN APPROVAL OF GROUNDWATER TECHNOLOGY, INC. THIS DRAWING MAY CONTAIN CONFIDENTIAL AND PROPRIETARY INFORMATION OF GROUNDWATER TECHNOLOGY, INC. ANY UNAUTHORIZED USE OF THIS DRAWING IS STRICTLY PROHIBITED.

**GT ENGINEERING**  
 1245 KINGS ROAD  
 SCHENECTADY, NY 12303  
 (518) 370-5631

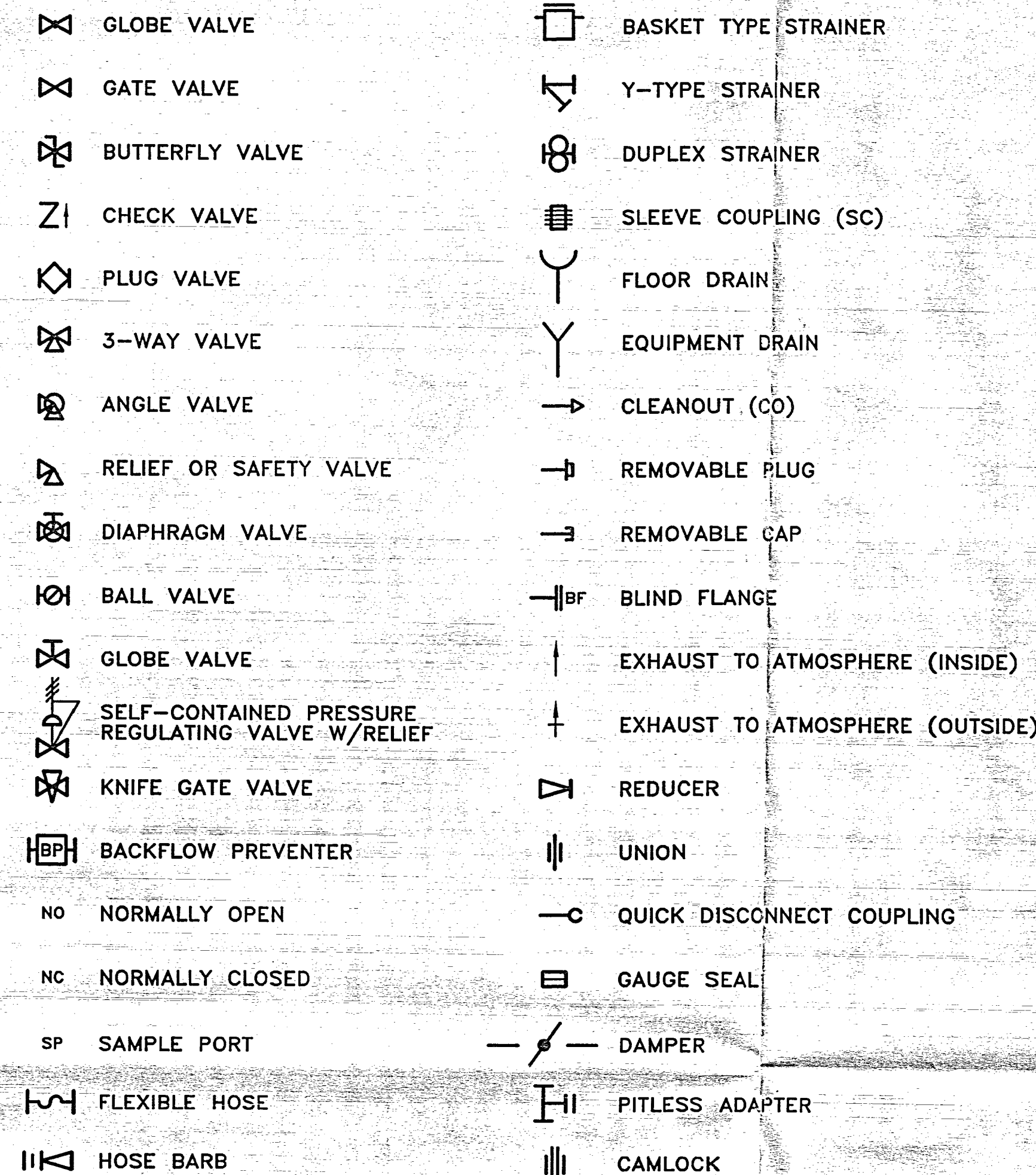
**OSMOSE, INC.**

ELLICOTT STREET  
 BUFFALO, NEW YORK

**PIPING AND INSTRUMENTATION DIAGRAM**

DESIGNED BY: KSD/BMT	DETAILED BY: SSH/DEO	CHECKED BY:
DRAWING DATE: 7/22/98	ACAD FILE: 8061-P2	CONTRACT:
PROJECT NO.:	01110-8061	
DRAWING:	REVISION:	

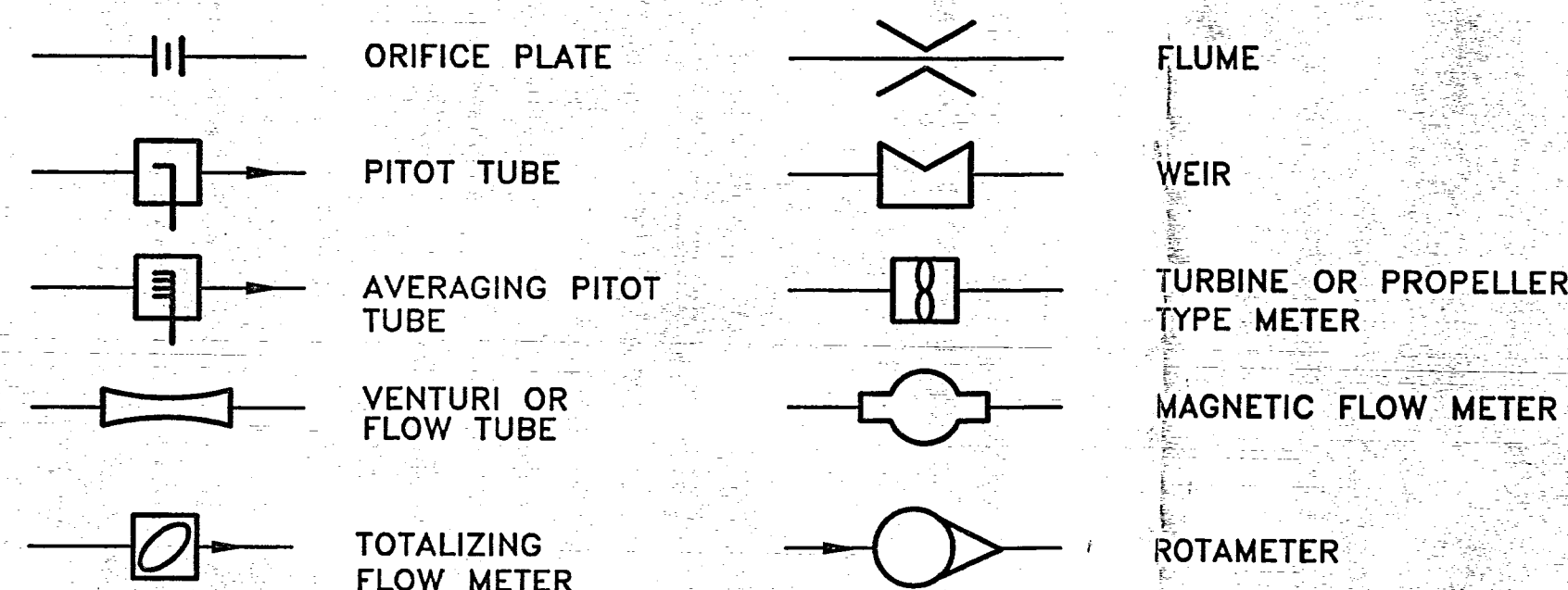
**VALVE AND PIPING SYMBOLS**



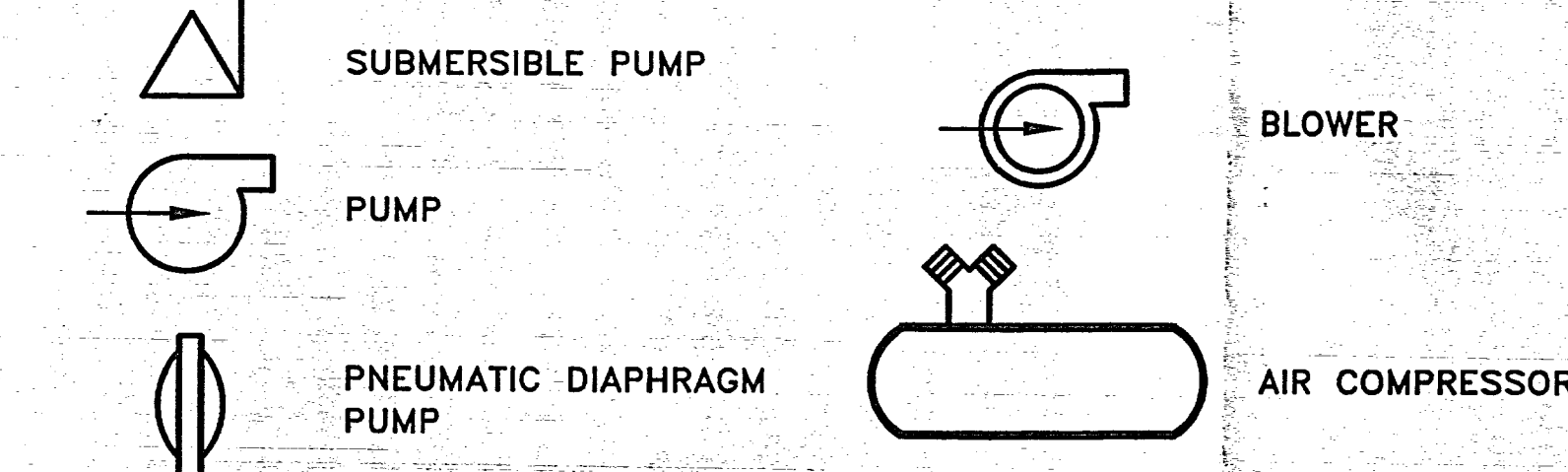
**VALVE OPERATOR SYMBOLS**



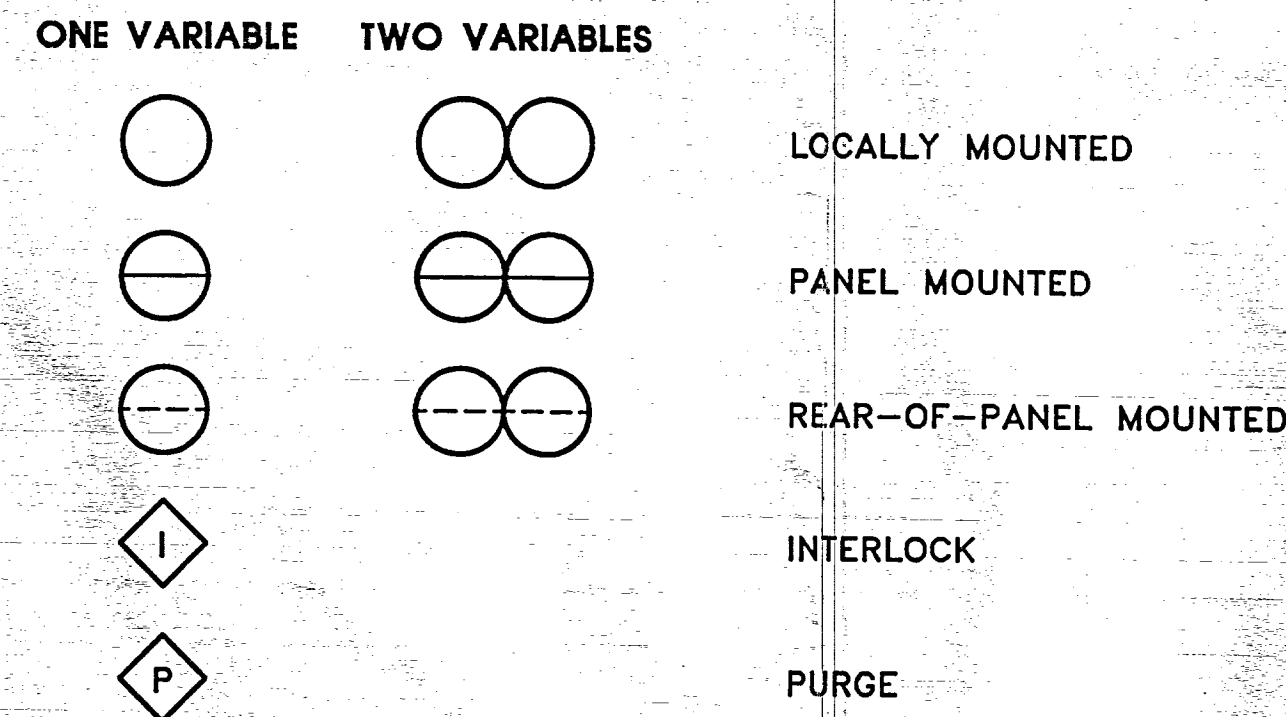
**PRIMARY ELEMENT SYMBOLS - FLOW**



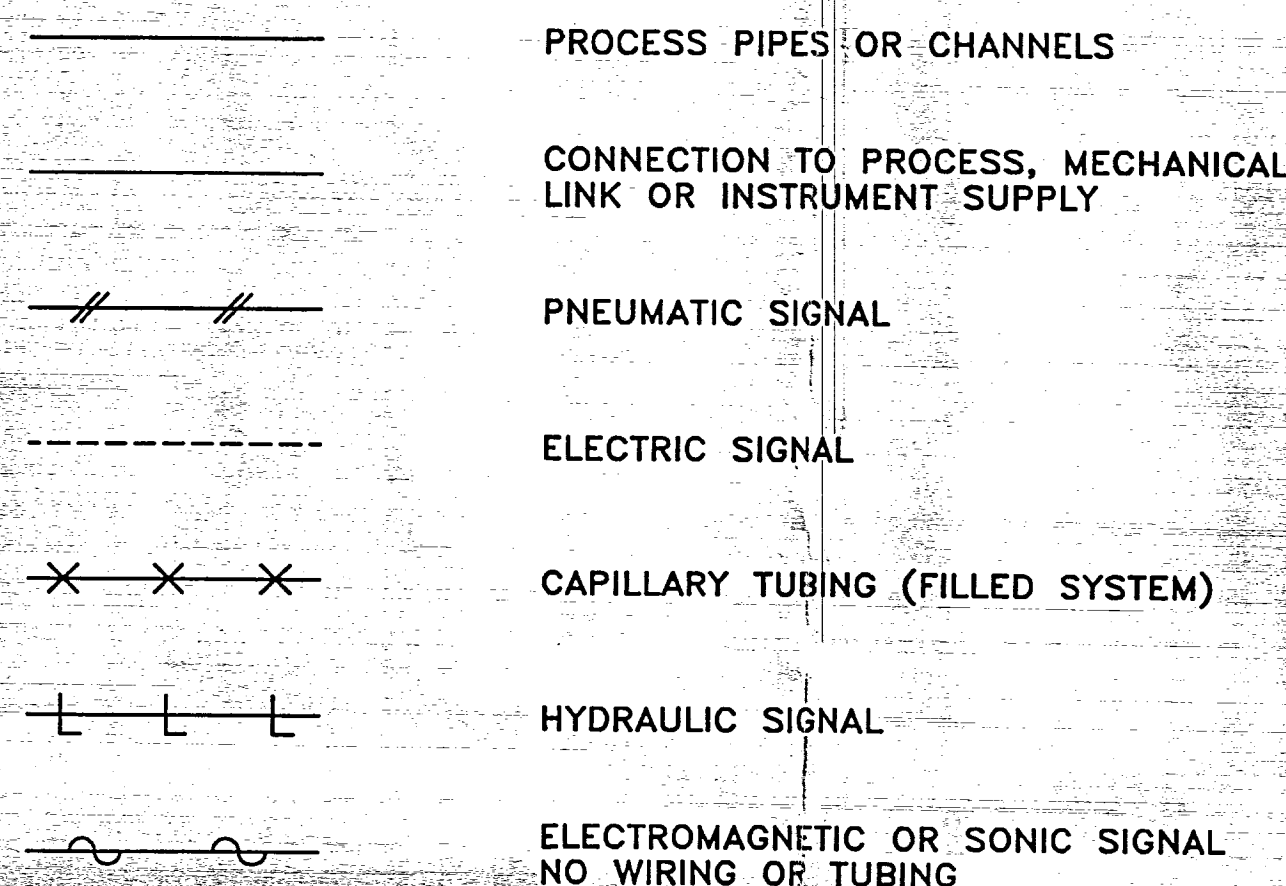
**EQUIPMENT SYMBOLS**



**GENERAL INSTRUMENT SYMBOLS**



**LINE SYMBOLS**



**PROCESS LINE ABBREVIATIONS**

AIR	AIR, ATMOSPHERIC PRESSURE
BW	BACKWASH
CA	COMPRESSED AIR
CGW	CONTAMINATED GROUNDWATER
D	DRAIN
EFF	EFFLUENT
EXH	EXHAUST
GW	GROUNDWATER
NPW	NON-POTABLE WATER
P	PRODUCT
PW	POTABLE WATER
S	SANITARY
SL	SLUDGE
SP	SAMPLE PORT
SS	STORM SEWER
TF	TOTAL FLUIDS
V	VENT
VAP	VAPOR

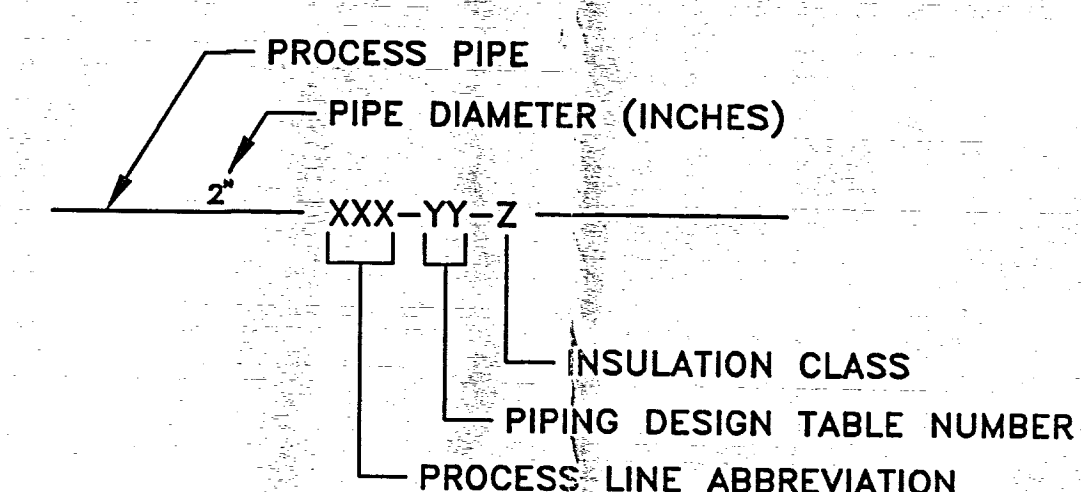
**PIPING MATERIAL IDENTIFICATION**

CPVC	CHLORINATED POLYVINYL CHLORIDE
CSP	CARBON STEEL PIPE
COP	COPPER
CMP	CORRUGATED METAL PIPE
CIP	CAST IRON PIPE
DIP	DUCTILE IRON PIPE
FRE	FIBERGLASS REINFORCED EPOXY
GAL	GALVANIZED STEEL PIPE
PE	POLYETHYLENE PIPE
PP	POLYPROPYLENE PIPE
PVC	POLYVINYL CHLORIDE PIPE
RCP	REINFORCED CONCRETE PIPE
RUB	RUBBER HOSE
SS	STAINLESS STEEL PIPE
VCP	VITRIFIED CLAY PIPE

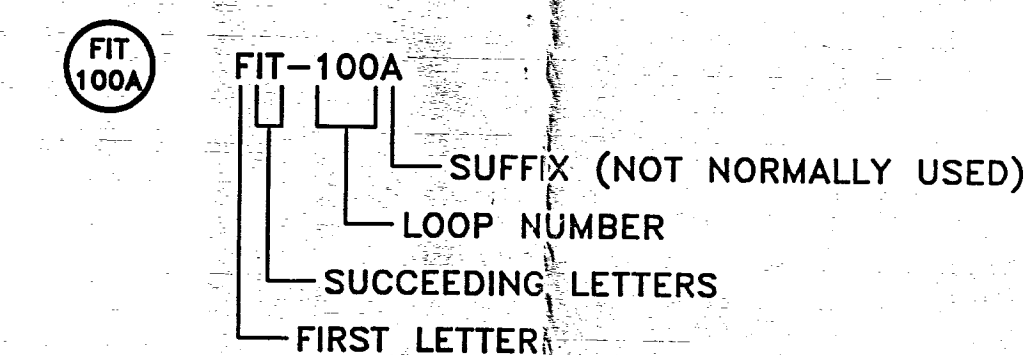
**INSTRUMENT IDENTIFICATION TABLE**

FIRST LETTER	SUCCEEDING LETTERS				
	MEASURED OR INITIATING VARIABLE	MODIFIER	READOUT OR PASSIVE FUNCTION	OUTPUT FUNCTION	MODIFIER
A	ANALYSIS		ALARM		
B	BURNER FLAME				
C	CONDUCTIVITY			CONTROL	
D	DENSITY (SP. GR.)	DIFFERENTIAL			
E	VOLTAGE		PRIMARY ELEMENT		
F	FLOW RATE	RATIO			
G	GAUGING (DIMENSIONAL)		GLASS		
H	HAND (MANUAL)				HIGH
I	CURRENT		INDICATE		
J	POWER	SCAN			
K	TIME OR SCHEDULE			CONTROL STATION	
L	LEVEL		LIGHT (PILOT)		LOW
M	MOISTURE OR HUMIDITY				MIDDLE
N					
O			ORIFICE		
P	PRESSURE OR VACUUM		POINT (TEST)		
Q	QUANT. OR EVENT	INTEGRATE			
R	RADIOACTIVITY		RECORD OR PRINT		
S	SPEED OR FREQ.	SAFETY		SWITCH	
T	TEMPERATURE			TRANSMIT	
U	MULTIVARIABLE		MULTIFUNCTION		
V	VISCOSITY			VALVE OR DAMPER	
W	WEIGHT OR FORCE		WELL		
X	UNCLASSIFIED		UNCLASSIFIED		
Y				RELAY OR COMPUTE	
Z	POSITION			DRIVE, ACTUATE	

**PROCESS PIPING IDENTIFICATION**



**INSTRUMENT IDENTIFICATION**



**FUNCTION ABBREVIATIONS**

DO	DISSOLVED OXYGEN	OC	OPEN-CLOSE
FC	FAIL CLOSED	OO	ON-OFF (MAINTAINED)
FI	FAIL INDETERMINATE	ORP	OXIDATION REDUCTION POTENTIAL
FL	FAIL LOCKED	OSC	OPEN-STOP-CLOSE (MOMENTARY)
FO	FAIL OPEN	SS	START-STOP (MOMENTARY)
HOA	HAND-OFF-AUTOMATIC	>	HIGH SELECT
I/I	CURRENT-TO-CURRENT	<	LOW SELECT
I/P	CURRENT-TO-PNEUMATIC	√	SQUARE ROOT
LEL	LOWER EXPLOSIVE LIMIT	Σ	ADD OR TOTALIZE
LR	LOCAL-REMOTE		

NO.	DATE	BY	REVISION
-----	------	----	----------

SIGNATURE	DATE
REVIEW ENGR:	
PROJECT ENGR:	
PROJECT MGR:	
CLIENT:	

**GT ENGINEERING**  
1245 KINGS ROAD  
SCHENECTADY, NY 12303  
(518) 370-5631

**OSMOSE, INC.**

ELICOTT STREET  
BUFFALO, NEW YORK

**PIPING AND INSTRUMENTATION DIAGRAM LEGEND**

DESIGNED BY:	DETAILED BY:	CHECKED BY:
-	SSH	
DRAWING DATE:	ACAD FILE:	
10/2/98	8061-P1	
PROJECT NO.:	CONTRACT:	
01110-8061		
DRAWING:	REVISION:	
P-1	-	