

APPENDIX B
NFTA STORM SEWER SAMPLING FIELD SHEETS

BUFFALO AIRPORT
STORM SEWER SAMPLING DATA SHEET

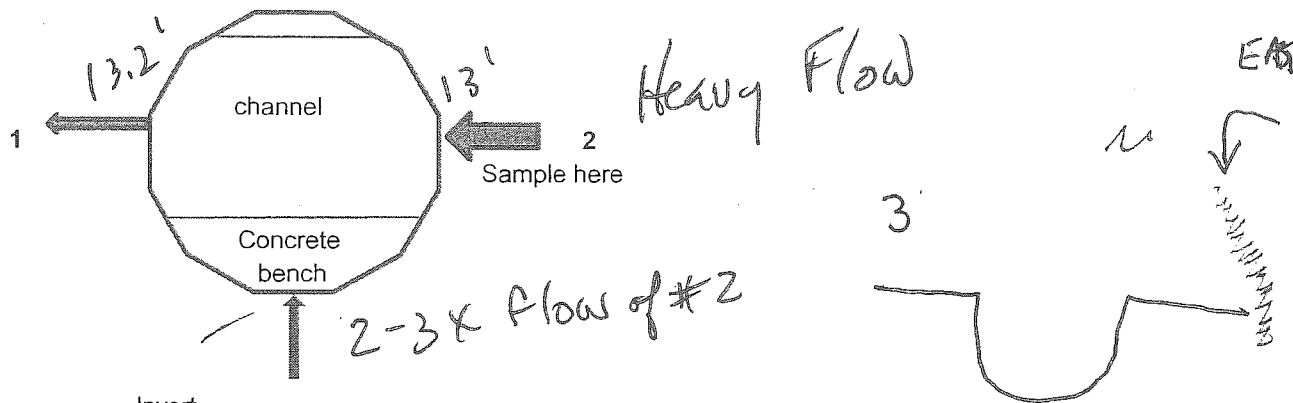
BUFFALO AIRPORT
STORM SEWER SAMPLING DATA

Manhole/Catchbasin ID: 1A
In sidewalk south side of Genesee Street.

| | |
|--------------------------------------|----------------------------------|
| Date: <u>11/24/14</u> | Job #: <u>18036-2014</u> |
| Crew: <u>K. Lynch</u> | Rim Elevation: |
| Condition: | Water Present?: <u>Yes</u> No |
| Water depth: <u>12.7'</u> Ft. BTOR | Flow observed?: <u>Yes</u> No |
| Manhole depth: <u>13.0'</u> Ft. BTOR | Sediment present?: Yes <u>No</u> |

Measure depths from top of frame.

On sidewalk south side of Genesee Street



| Number on Figure | Inlet/Outlet | Invert Depth (Ft. BTOR) | Diameter (Inches) | Direction | Flow | Material | Flow noted | Comments |
|------------------|-------------------|-------------------------|-------------------|-----------|-------------|-----------------------|------------|------------------|
| 1 | Outlet | <u>13.25</u> | 42 inch | South | <u>Yes</u> | . | <u>Yes</u> | |
| 2 | Inlet | <u>9.0</u> | 42 inch | North | <u>Yes</u> | . | <u>Yes</u> | Sample this flow |
| 3 | Inlet <u>24"?</u> | <u>13.0</u> | 36 inch | East | <u>Lots</u> | | <u>Yes</u> | |
| 4 | Inlet | | | | | | | |
| 5 | Inlet | | | | | <u>Concrete Flume</u> | | |
| 6 | Inlet | | | | | | | |

SAMPLE RECORD

| | |
|---------------------------------------|---|
| Date: <u>11/24/14</u> | Volume: <u>3x40ml/1x500ml/1x1L</u> |
| Time: <u>1615</u> | Analysis: <u>VOC/Metals/pH&TSS</u> |
| Crew: <u>K. Lynch</u> | Chain of Custody #: |
| Method: <u>Baiter on pole</u> | Sample Type: <u>water</u> |
| Sample ID: <u>WS-18036-112414-011</u> | |
| pH: <u>8.77</u> | Water Level Meter No.: |
| Conductivity: <u>1.38</u> | Multimeter No.: |
| Temperature: <u>10.1°C</u> | |
| Turbidity: <u>96.3</u> | Flow method: <u>Mannings - distance over time</u> |

Comments: Very turbid - heavy flow from N. side Genesee st.

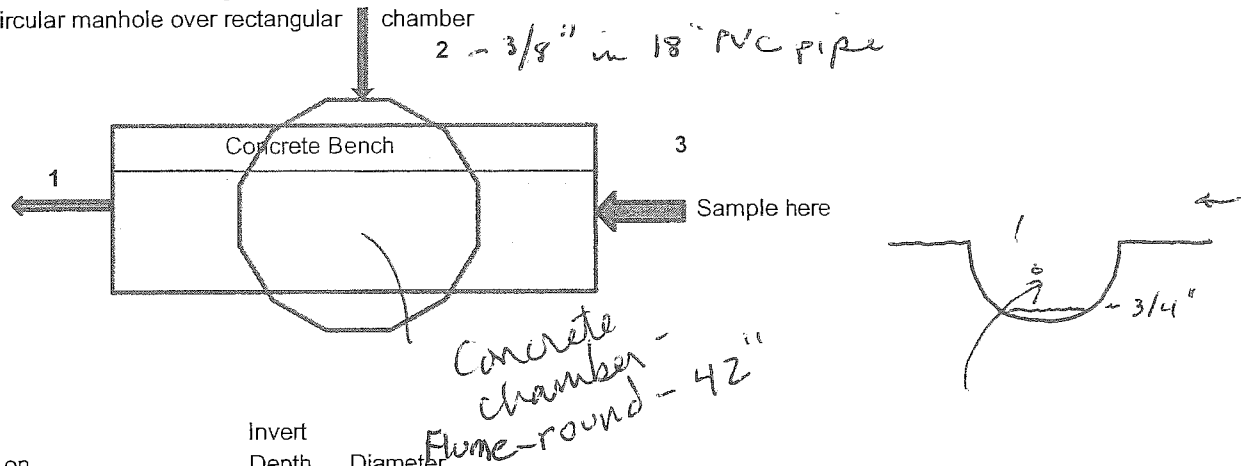
Signature: _____

BUFFALO AIRPORT
STORM SEWER SAMPLING DATA

Manhole/Catchbasin ID: 1B

Date: 11/24/14 Job #: 18036-2014
 Crew: K. Lynch Rim Elevation: _____
 Condition: Good Water Present?: Yes No
 Water depth: < 3/4" ~~ft. BTOR~~ Flow observed?: Yes No
 Manhole depth: 6.8 Ft. BTOR Sediment present?: Yes No

Measure depths from top of frame.
 Indicate inlets and outlet using arrows. Number clockwise from outlet.
 Note: Circular manhole over rectangular chamber



| Number on Figure | Inlet/Outlet | Invert Depth (Ft. BTOR) | Diameter (Inches) | Direction | Shape | Material | Flow noted | Comments |
|------------------|--------------|-------------------------|-------------------|-----------|-------|----------|------------|------------------|
| 1 | Outlet | 7.0 | 42 inch | West | round | concrete | Yes | |
| 2 | Inlet | 5.25 | 18 inch | North | round | PVC | Yes | |
| 3 | Inlet | 6.7 | 42 inch | East | round | concrete | Yes | Sample this flow |
| 4 | Inlet | | | | | | | |
| 5 | Inlet | | | | | | | |
| 6 | Inlet | | | | | | | |

SAMPLE RECORD

Date: 11/24/14 Volume: 3x40ml/1x500ml/1x1L
 Time: 0900 Analysis: VOC/Metals/pH&TSS
 Crew: K. Lynch Chain of Custody #: 075
 Method: bailed Sample Type: water
 Sample ID: MS 18036-112414-001
 pH: 6.53 Water Level Meter No.: 07567
 Conductivity: 2.24 ms/cm Multimeter No.: 07596
 Temperature: 10.1°C
 Turbidity: 16.9 Flow method: Mannings - distance over time

Comments: 6' in 2 sec water depth = > 3/4" in

Signature: [Handwritten Signature]

GRP 292

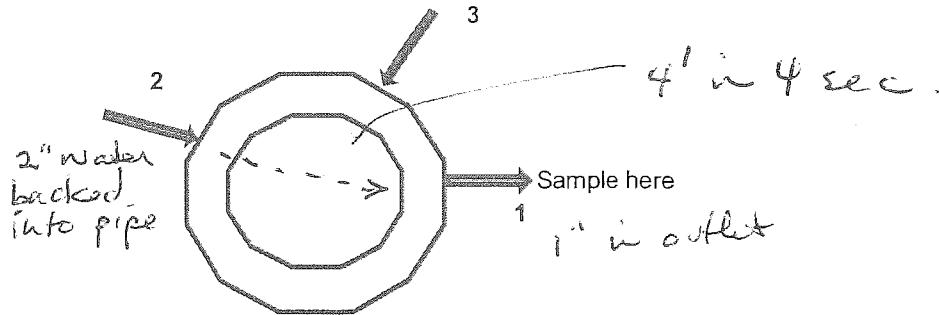
BUFFALO AIRPORT
STORM SEWER SAMPLING DATA

Manhole/Catchbasin ID: 1C
West of blast fence

Date: 11/24/14 Job #: 18036-2014
 Crew: K. Lynch Rim Elevation: _____
 Condition: _____ Water Present?: Yes No
 Water depth: 7.75' Ft. BTOR Flow observed?: Yes No
 Manhole depth: 8.4 Ft. BTOR Sediment present?: Yes No

Measure depths from top of frame. - 8.45
Round catch basin over round manhole

Maybe a little hard bottom



Number on Figure

| Number on Figure | Inlet/Outlet | Depth | Diameter | Direction | Shape | Material | Flow noted | Comments |
|------------------|--------------|-------|----------|-----------|-------|----------------|------------|------------------------|
| 1 | Inlet/Outlet | | | | | | | |
| 2 | Outlet | 7.9 | 36 | east | Round | PVC | Yes | Sample this flow |
| 3 | Inlet | 8.33 | 36 | west | Round | PVC | Yes | 2" " |
| 4 | Inlet | | 12 | northeast | | PVC | Yes | heard drip, cannot see |
| 5 | Inlet | | | | | | | |
| 6 | Inlet | | | | | | | |
| | Inlet | | | | | | | |

SAMPLE RECORD

Date: 11/24/14 Volume: 3x40ml/1x500ml/1x1L
 Time: 0930 Analysis: VOC/Metals/pH&TSS
 Crew: K. Lynch Chain of Custody #: 048079
 Method: Bottle Sample Type: water
 Sample ID: SW-18036-112414-002
 pH: 7.31 Water Level Meter No.: 07567
 Conductivity: 0.935 ms/cm Multimeter No.: CRA 07596
 Temperature: 11.5° C
 Turbidity: 17.1 Flow method: Mannings - distance over time

Comments: Clean, sl. yellow color

Signature: [Signature]

CRP = 300

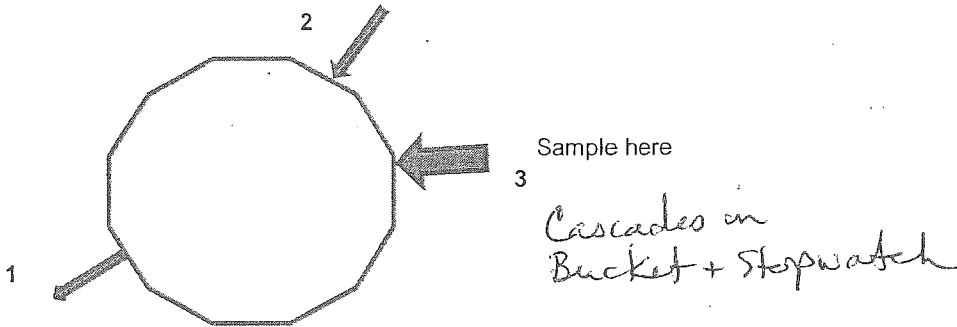
BUFFALO AIRPORT SITE
STORMWATER SEWER SAMPLING FIELD DATA SHEETS

BUFFALO AIRPORT
STORM SEWER SAMPLING DATA

Manhole/Catchbasin ID: 2A
 Manhole in grass closest to overhead Sign over airport access road

Date: 11/24/14 Job #: 18036-2014
 Crew: Kilynch Rim Elevation: _____
 Condition: _____ Water Present?: Yes No
 Water depth: 7.30 Ft. BTOR Flow observed?: Yes No
 Manhole depth: 9.5 Ft. BTOR Sediment present?: Yes No

Measure depths from top of frame. 9.55
 Indicate inlets and outlet using arrows. Number clockwise from outlet.



| Number on Figure | Inlet/Outlet | Invert Depth (Ft. BTOR) | Diameter (Inches) | Direction | Shape | Material | Flow noted | Comments |
|------------------|--------------|-------------------------|-------------------|-----------|-------|----------|------------|------------------|
| 1 | Outlet | 9.2 | 42 inch | SW | Round | Concrete | Yes | |
| 2 | Inlet | 7.5 | 24 inch | NE | ↓ | PVC | Yes | |
| 3 | Inlet | 5.5 | 24 inch | E | ↓ | PVC | Yes | Sample this flow |
| 4 | Inlet | | | | | | | |
| 5 | Inlet | | | | | | | |
| 6 | Inlet | | | | | | | |

SAMPLE RECORD

Date: 11/24/14 Volume: 3x40ml/1x500ml/1x1L
 Time: 1:30 Analysis: VOC/Metals/pH&TSS
 Crew: Kilynch Chain of Custody #: _____
 Method: Bucket + dipper Sample Type: water
 Sample ID: WS-18036-2414-003
 pH: 7.70 Water Level Meter No.: _____
 Conductivity: 3.95 m-s/cm Multimeter No.: _____
 Temperature: 11.1°C
 Turbidity: 1718 Flow method: Bucket and stopwatch ✓
 Comments: Bucket & Stopwatch for flow 1 Gal - 3.2 sec 1 Gal 3.3 sec
1.5 Gal - 5.0 sec
 Signature: [Signature]

A

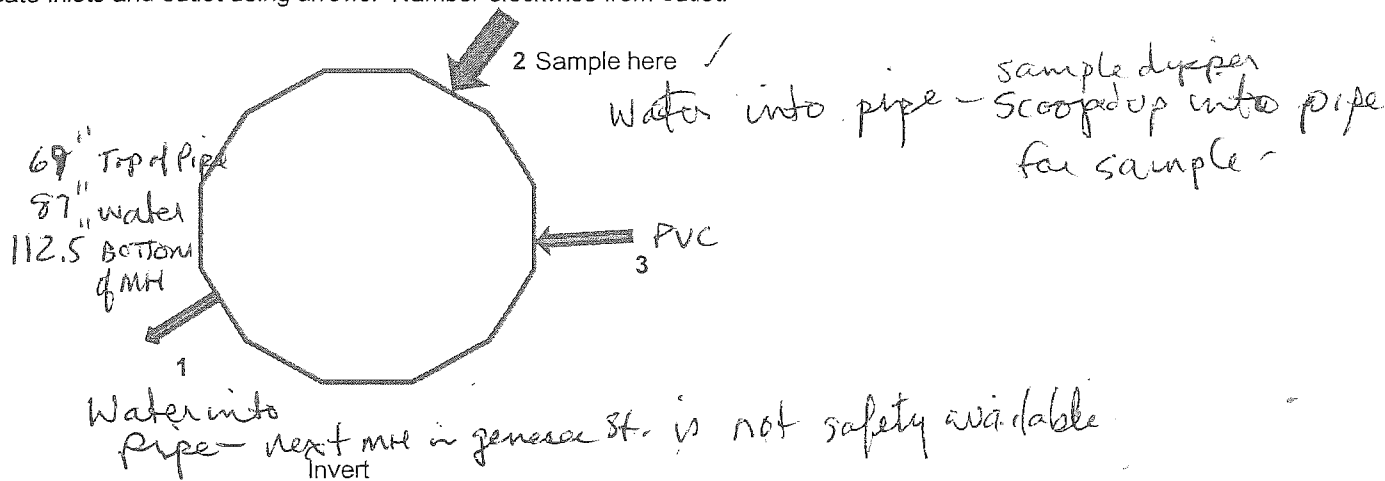
BUFFALO AIRPORT
STORM SEWER SAMPLING DATA

Manhole/Catchbasin ID: 2B
Manhole in grass closest to overhead Sign over airport access road

| | |
|---|----------------------------------|
| Date: <u>11/24/14</u> | Job #: <u>18036-2014</u> |
| Crew: <u>K. Lynch</u> | Rim Elevation: |
| Condition: | Water Present?: <u>Yes</u> No |
| Water depth: <u>7.30</u> Ft. BTOR | Flow observed?: <u>Yes</u> No |
| Manhole depth: <u>9.55</u> 8.5 Ft. BTOR | Sediment present?: <u>Yes</u> No |

Measure depths from top of frame.

Indicate inlets and outlet using arrows. Number clockwise from outlet.



| Number on Figure | Inlet/Outlet | Depth (Ft. BTOR) | Diameter (Inches) | Direction | Shape | Material | Flow noted | Comments |
|------------------|--------------|------------------|-------------------|-----------|-------|----------|------------|------------------|
| 1 | Outlet | 9.2 | 42 inch | SW | Round | concrete | Yes | |
| 2 | Inlet | 7.5 | 24 inch | NE | Round | PVC | Yes | Sample this flow |
| 3 | Inlet | 5.5 | 24 inch | E | Round | PVC | Yes | |
| 4 | Inlet | | | | | | | |
| 5 | Inlet | | | | | | | |
| 6 | Inlet | | | | | | | |

SAMPLE RECORD

| | |
|---------------------------------------|--|
| Date: <u>11/24/14</u> | Volume: <u>3x40ml/1x500ml/1x1L</u> |
| Time: <u>11:45</u> | Analysis: <u>VOC/Metals/pH&TSS</u> |
| Crew: <u>K. Lynch</u> | Chain of Custody #: <u>048079</u> |
| Method: <u>Dipper & Pole</u> | Sample Type: <u>water</u> |
| Sample ID: <u>WS-18036-012414-004</u> | |
| pH: <u>10.31</u> inside pipe | Water Level Meter No.: <u>07567</u> |
| Conductivity: <u>6.15</u> | Multimeter No.: <u>07596</u> |
| Temperature: <u>11.5°</u> | |
| Turbidity: <u>18.3</u> | |

Flow method: Bucket and stopwatch - Flooded into pipe - Cant do flow

Comments: Checked pH 2x - checked against 7 = 7.08

ORP 65 mV

Signature: [Signature]

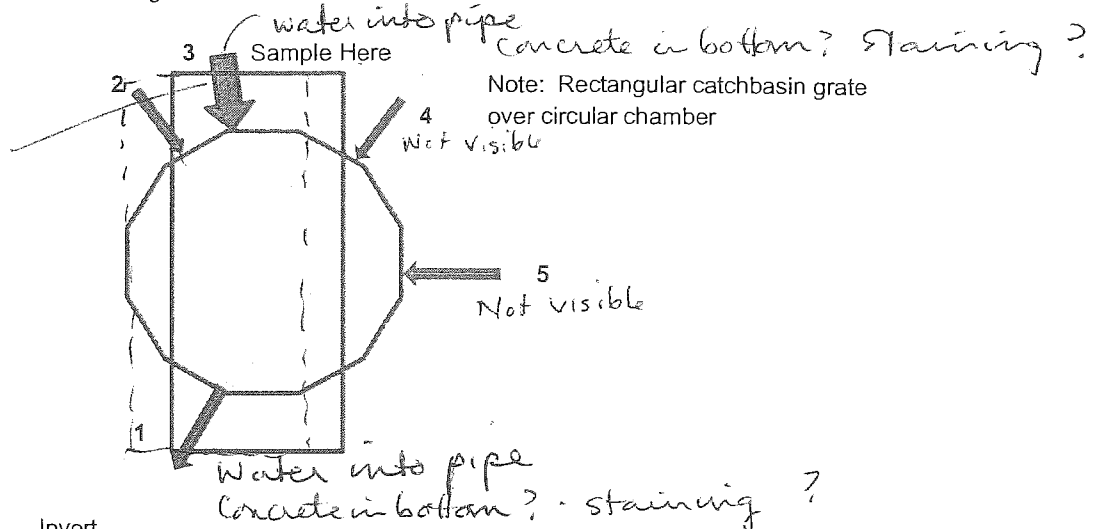
BUFFALO AIRPORT
STORM SEWER SAMPLING DATA

Manhole/Catchbasin ID: 2C

Date: 11/24/14 Job #: 18036-2014
 Crew: K. Lynch Rim Elevation: _____
 Condition: _____ Water Present?: Yes No
 Water depth: 5.27 Ft. BTOR Flow observed?: Yes No *slight/stow out*
 Manhole depth: 5.85-6.0 Ft. BTOR Sediment present?: Yes No *hard bottom*

63 5/8"

Measure depths from top of frame.
Indicate inlets and outlet using arrows. Number clockwise from outlet.



| Number on Figure | Inlet/Outlet | Invert Depth (Ft. BTOR) | Diameter (Inches) | Direction | Shape | Material | Flow noted | Comments |
|------------------|--------------|-------------------------|-------------------|-----------|-------|----------|------------|-------------------------------------|
| 1 | Outlet | <u>67" 8.4</u> | 42 inch | South | Round | | Yes | |
| 2 | Inlet | 2.5 | 4 inch | Northwest | Round | | Yes | corrugated underdrain |
| 3 | Inlet | <u>65" 8.4</u> | 24 inch | North | Round | | Yes | Sample this flow |
| 4 | Inlet | 2.5 | 4 inch | Northeast | Round | | | corrugated underdrain - Not Visible |
| 5 | Inlet | | 18 inch | east | | | | not visible from surface |
| 6 | Inlet | | | | | | | |

SAMPLE RECORD

Date: 11/24/14 Volume: 3x40ml/1x500ml/1x1L
 Time: 1230 Analysis: VOC/Metals/pH&TSS
 Crew: K. Lynch Chain of Custody #: 048079
 Method: Bailer Sample Type: water
 Sample ID: WS-18036-112414-005
 pH: 10.42 FMS+MSD Water Level Meter No.: 07567
 Conductivity: 4.17 Multimeter No.: 07596
 Temperature: 11.5°C
 Turbidity: 44.1 Flow method: Mannings - distance over time

Comments: 12 sec to go 3'
ORP = 144 mV
 Signature: [Signature]

BUFFALO AIRPORT
STORM SEWER SAMPLING DATA

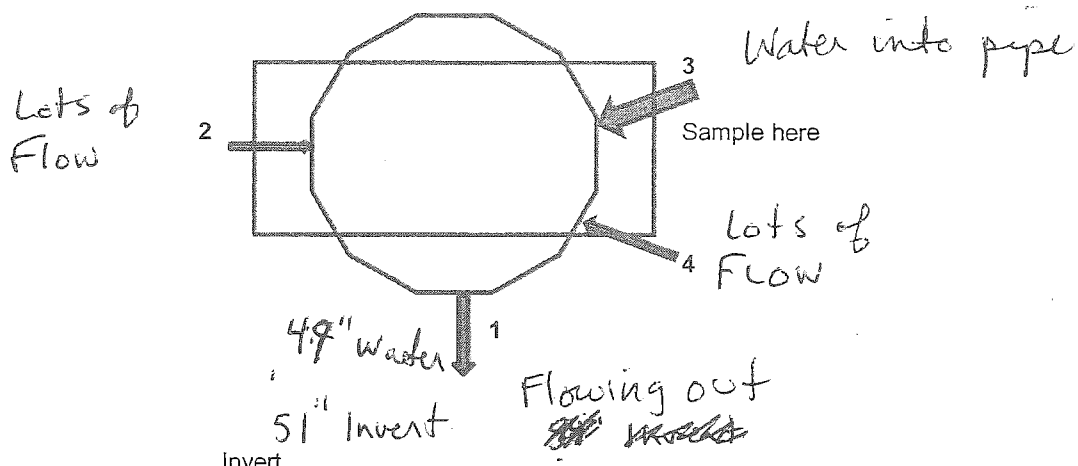
Manhole/Catchbasin ID: 2D

Date: 11/24/14 Job #: 18036-2014
 Crew: K. Lynch Rim Elevation: _____
 Condition: _____ Water Present?: Yes No
 Water depth: 4.02' Ft. BTOR Flow observed?: Yes No
 Manhole depth: 5.1 Ft. BTOR Sediment present?: Yes No

Measure depths from top of frame.

Note: Rectangular catchbasin grate over circular chamber

Note - north side of CB grate is about 0.1 foot higher in elevation than the south side



| Number on Figure | Inlet/Outlet | Depth (Ft. BTOR) | Diameter (Inches) | Direction | Shape | Material | Flow noted | Comments |
|------------------|--------------|------------------|-------------------|-----------|-------|----------|------------|-----------------------|
| 1 | Outlet | 4.3 | 18 inch | South | Round | PVC | Yes | |
| 2 | Inlet | 3.0 | 4 inch | West | | Plastic | Yes | corrugated underdrain |
| 3 | Inlet | 4.4 | 18 inch | East | | PVC | Yes | Sample this flow |
| 4 | Inlet | 3.0 | 4 inch | Southeast | ↓ | Plastic | Yes | corrugated underdrain |
| 5 | Inlet | | | | | | | |
| 6 | Inlet | | | | | | | |

SAMPLE RECORD

Date: 11/24/14 Volume: 3x40ml/1x500ml/1x1L
 Time: 1400 Analysis: VOC/Metals/pH&TSS
 Crew: K. Lynch Chain of Custody #: 48079
 Method: _____ Sample Type: water
 Sample ID: WS-18036-112414-006
 pH: 9.61 Water Level Meter No.: 07567
 Conductivity: 5.60 Multimeter No.: 07596
 Temperature: 10.8 °C
 Turbidity: 7.5

Flow method: Mannings - distance over time

Comments: _____
 Signature: [Handwritten Signature]

BUFFALO AIRPORT
STORM SEWER SAMPLING DATA

IN ROAD TRAFFIC CONTROL CONES NEEDED

Manhole/Catchbasin ID: 3A

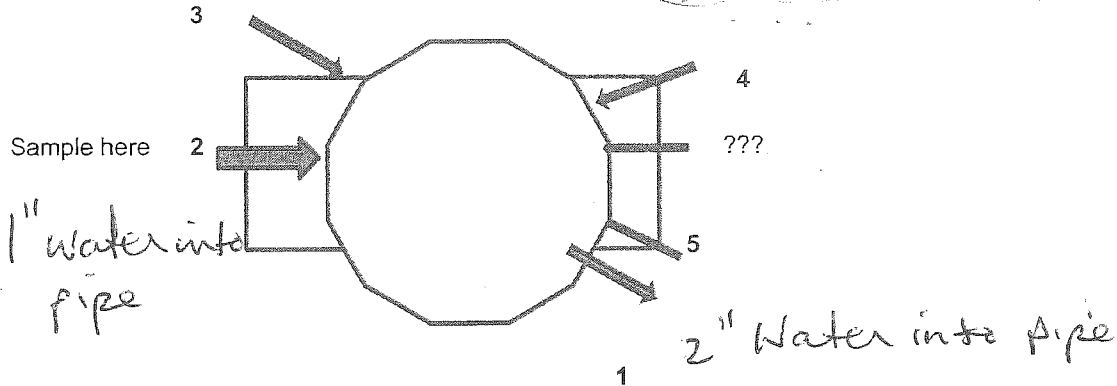
In right hand traffic lane use cones and caution

| | | | |
|----------------|----------------------|--------------------|-------------------|
| Date: | <u>11/24/14</u> | Job #: | <u>18036-2014</u> |
| Crew: | <u>K. Lynch</u> | Rim Elevation: | |
| Condition: | | Water Present?: | Yes No |
| Water depth: | <u>6.55</u> Ft. BTOR | Flow observed?: | Yes No |
| Manhole depth: | <u>8.9</u> Ft. BTOR | Sediment present?: | Yes No |

Measure depths from top of frame.

Note: Rectangular catchbasin grate over circular chamber

Check if rectangular over circular



| Number on Figure | Inlet/Outlet | Invert Depth (Ft. BTOR) | Diameter (Inches) | Direction | Shape | Material | Flow noted | Comments |
|------------------|--------------|-------------------------|-------------------|-----------|-------|----------|------------|-----------------------|
| 1 | Outlet | 6.7 | 42 inch | SE | Round | PVC | Yes | |
| 2 | Inlet | 6.6 | 42 inch | W | | PVC | Yes | Sample this flow |
| 3 | Inlet | | 4 inch | NW | | Plastic | Yes | corrugated underdrain |
| 4 | Inlet | | 4 inch | NE | | Plastic | Yes | corrugated underdrain |
| 5 | Inlet | | 4 inch | SE | | Plastic | Slight | corrugated underdrain |
| ??? | Inlet | | 4 inch | E? | | | | corrugated underdrain |

SAMPLE RECORD

Date: 11/24/14
 Time: 1445
 Crew: K. Lynch
 Method: Boiler on stick
 Sample ID: WS 18036-112414-007
 pH: 8.96
 Conductivity: 10.7 ms/cm
 Temperature: 14.8
 Turbidity: 10.9 NTU

Volume: 3x40ml/1x500ml/1x1L
 Analysis: VOC/Metals/pH&TSS
 Chain of Custody #: 648079
 Sample Type: water
 Water Level Meter No.: 07567
 Multimeter No.: 07596

Flow method: Bucket and stopwatch

Comments: Blind Dup @ WS 18036-112414-008 1500 KPL

228 ORP MV

Signature: [Handwritten Signature]

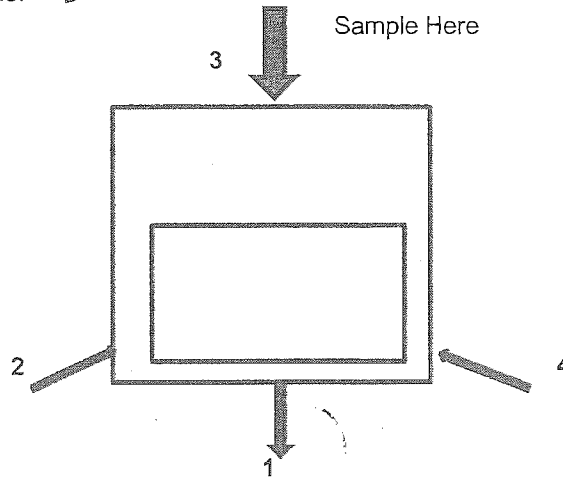
BUFFALO AIRPORT
STORM SEWER SAMPLING DATA

Manhole/Catchbasin ID: 3B

| | |
|------------------------------------|----------------------------------|
| Date: <u>11/24/14</u> | Job #: <u>18036-2014</u> |
| Crew: <u>K. Lynch</u> | Rim Elevation: |
| Condition: | Water Present?: <u>Yes</u> No |
| Water depth: <u>4.45'</u> Ft. BTOR | Flow observed?: <u>Yes</u> No |
| Manhole depth: <u>5.5</u> Ft. BTOR | Sediment present?: <u>Yes</u> No |

Measure depths from top of frame.

Rectangular catch basin over rectangular chamber



| Number on Figure | Inlet/Outlet | Invert Depth (Ft. BTOR) | Diameter (Inches) | Direction | Shape | Material | Flow noted | Comments |
|------------------|-------------------|-------------------------|-------------------|-----------|-------|----------|------------|-------------|
| 1 | Outlet <u>56"</u> | 4.7 | 24 | South | | | <u>Yes</u> | |
| 2 | Inlet | 2.5 | 6 | West | | | <u>Yes</u> | Underdrain |
| 3 | Inlet | 4.25 | 24 | North | | | <u>Yes</u> | Sample Here |
| 4 | Inlet | 2.5 | 6 | East | | | <u>Yes</u> | Underdrain |
| 5 | Inlet | <u>Surface run-in -</u> | | | | | <u>Yes</u> | |
| 6 | Inlet | | | | | | | |

SAMPLE RECORD

| | |
|---------------------------------------|---|
| Date: <u>11/24/14</u> | Volume: <u>3x40ml/1x500ml/1x1L</u> |
| Time: <u>1515</u> | Analysis: <u>VOC/Metals/pH&TSS</u> |
| Crew: <u>K. Lynch</u> | Chain of Custody #: |
| Method: | Sample Type: <u>water</u> |
| Sample ID: <u>WS-18036-112414-008</u> | Water Level Meter No.: |
| pH: <u>9.15</u> | Multimeter No.: |
| Conductivity: <u>2.24 ms/cm</u> | |
| Temperature: <u>10.4°C</u> | Flow method: <u>Mannings - distance over time</u> |
| Turbidity: <u>2.25</u> | |

Comments: BLIND DUP WS 18036-112414-009

Signature: [Signature]

*Raining - Very turbid
Run in from surface - sl. sheer, lots of sediment*

BUFFALO AIRPORT
STORM SEWER SAMPLING DATA

Manhole/Catchbasin ID: 3C

Date: 11/24/14 Job #: 18036-2014
 Crew: K. Lynch Rim Elevation: _____
 Condition: _____ Water Present?: Yes No
 Water depth: 5.71' Ft. BTOR Flow observed?: Yes No
 Manhole depth: ✓ 6.55 Ft. BTOR Sediment present?: Yes No

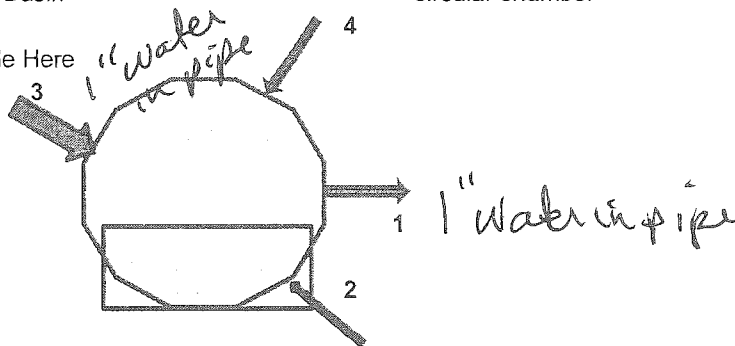
Measure depths from top of frame.

Catch Basin

Rectangular catch basin over circular chamber

Catch Basin

Sample Here



Number on

| Figure | Inlet/Outlet | Depth | Diameter | Direction | Shape | Material | Flow noted | Comments |
|--------|--------------|---------|----------|-----------|-------|----------|------------|------------------------|
| 1 | Outlet | 5.83 | 24 or 30 | east | | PVC | yes | |
| 2 | Inlet | 2.5 | 6 | southeast | | Corrug | no | Underdrain |
| 3 | Inlet | 5.83 | 24 | west | | PVC | yes | Sample Here |
| 4 | Inlet | ??? | 12 | northeast | | ? | no | can't see from surface |
| 5 | Inlet | Surface | | | | | yes | |
| 6 | Inlet | | | | | | | |

SAMPLE RECORD

Date: 11/24/14 Volume: 3x40ml/1x500ml/1x1L
 Time: 1545 Analysis: VOC/Metals/pH&TSS
 Crew: K. Lynch Chain of Custody #: _____
 Method: Baiter on pole Sample Type: water
 Sample ID: WS 18036-112414-010
 pH: 8.87 Water Level Meter No.: _____
 Conductivity: 1067 μ scm Multimeter No.: _____
 Temperature: 10.4 °C
 Turbidity: 170 Flow method: Mannings - distance over time

Comments: Very turbid after heavy rain surface runoff occurs

Signature: _____

284 mV ORP

BUFFALO AIRPORT
STORM SEWER SAMPLING DATA SHEET

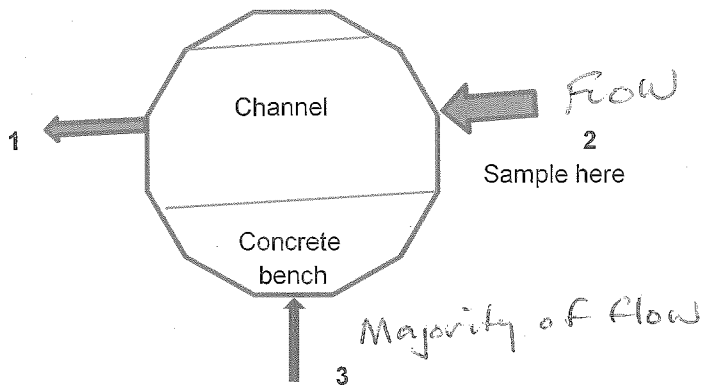
BUFFALO AIRPORT
STORM SEWER SAMPLING DATA

Manhole/Catchbasin ID: 1A
In sidewalk south side of Genesee Street near 4499 Genesee.

Date: 4/1/15 Job #: 18036-2014
Crew: DJO/KPL Rim Elevation: _____
Weather: Clear 45° Water Present?: Yes No
Water depth: 12.73 Ft. BTOR Flow observed?: Yes No
Manhole depth: 13.0 Ft. BTOR Sediment present?: Yes No
Measure depths from top of frame.

Deep Manhole

On sidewalk south side of Genesee Street



| Number on Figure | Inlet/Outlet | Invert Depth (Ft. BTOR) | Diameter (Inches) | Direction | Shape | Material | Flow noted | Comments |
|------------------|--------------|-------------------------|-------------------|-----------|-------|----------|------------|------------------|
| 1 | Outlet | 13.25 | 42 inch | South | Round | | | |
| 2 | Inlet | 13.0 | 42 inch | North | Round | | | Sample this flow |
| 3 | Inlet | 9.0 | 24 inch | East | Round | | | |
| 4 | Inlet | | | | | | | |
| 5 | Inlet | | | | | | | |
| 6 | Inlet | | | | | | | |

SAMPLE RECORD

Date: 4/1/15
Time: 1345
Crew: DJO/KPL
Method: Bailer, 1', above E input
Sample ID: WS-18036-040115-011
pH: 8.5
Conductivity: -
Temperature: -
Turbidity: -

Volume: 3x40ml/1x500ml/1x1L
Analysis: VOC/Metals/pH&TSS
Chain of Custody #: 48172
Sample Type: water
Water Level Meter No.: 4102
Multimeter No.: 7525

Flow method: Mannings - distance over time 6' in 5 sec

Comments: Clear, colorless. Sampled ~~at~~ upstream of East inlet flow.

Signature: [Signature]

BUFFALO AIRPORT
STORM SEWER SAMPLING DATA

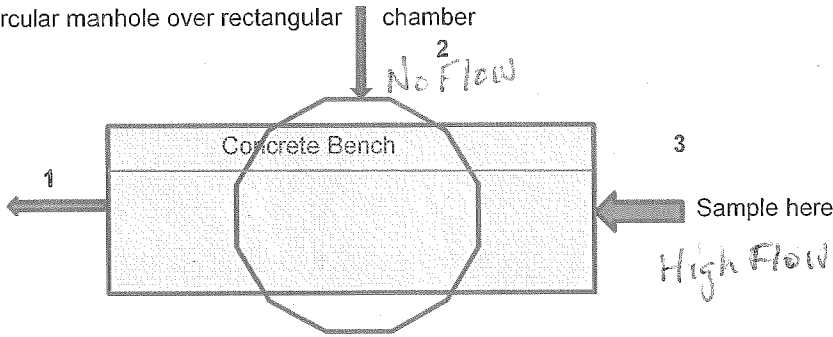
Manhole/Catchbasin ID: 1B

Date: 4/1/15 Job #: 15036-2014
 Crew: K. Lynch Rim Elevation: ---
 Weather: Clear 35° Water Present?: Yes No
 Water depth: 6.7' Ft. BTOR Flow observed?: Yes No
 Manhole depth: 6.8 Ft. BTOR Sediment present?: Yes Slightly No

Measure depths from top of frame.

Indicate inlets and outlet using arrows. Number clockwise from outlet.

Note: Circular manhole over rectangular chamber



| Number on Figure | Inlet/Outlet | Invert Depth (Ft. BTOR) | Diameter (Inches) | Direction | Shape | Material | Flow noted | Comments |
|------------------|--------------|-------------------------|-------------------|-----------|-------|----------|------------|------------------|
| 1 | Outlet | 7.0 | 42 inch | West | Round | Plastic | | |
| 2 | Inlet | 5.25 | 18 inch | North | Round | PVC | | |
| 3 | Inlet | 6.7 | 42 inch | East | Round | Plastic | | Sample this flow |
| 4 | Inlet | | | | | | | |
| 5 | Inlet | | | | | | | |
| 6 | Inlet | | | | | | | |

SAMPLE RECORD

Date: 4/1/15
 Time: 0900
 Crew: K. Lynch
 Method: Boiler
 Sample ID: WS-15036-040115-001
 pH: 8.5
 Conductivity: ---
 Temperature: ---
 Turbidity: ---

Volume: 3x40ml/1x500ml/1x1L, 1x500ml-pH
 Analysis: VOC/Metals/pH&TSS
 Chain of Custody #: 48172
 Sample Type: water

Water Level Meter No.: NA
 Multimeter No.: 07565 AutoCalibrated 7.0

Flow method: Mannings - distance over time

Comments: Flowing fast E to W. No flow N. Inlet
3 sec to go 6' -

Signature: [Signature]

BUFFALO AIRPORT
STORM SEWER SAMPLING DATA

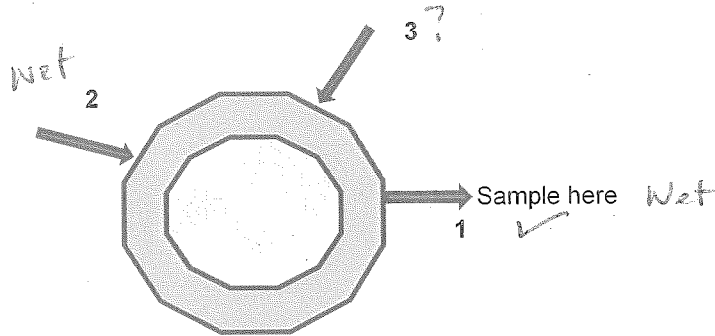
Manhole/Catchbasin ID:

1C

Edge of Rip Rap to West of blast fence

| | |
|---------------------------------------|----------------------------------|
| Date: <u>4/1/15</u> | Job #: <u>18036</u> |
| Crew: <u>K. Lynch</u> | Rim Elevation: <u>---</u> |
| Weather: <u>Clear 35°</u> | Water Present?: <u>Yes</u> No |
| Water depth: <u>7.50</u> Ft. BTOR | Flow observed?: Yes <u>No</u> |
| Manhole depth: <u>✓ 8.45</u> Ft. BTOR | Sediment present?: <u>Yes</u> No |

Measure depths from top of frame.
Round catch basin over round manhole



Number on
Figure

| Number on Figure | Inlet/Outlet | Depth | Diameter | Direction | Shape | Material | Flow noted | Comments |
|------------------|--------------|-------|----------|-----------|-------|----------|------------|--------------------------|
| 1 | Inlet/Outlet | | | | | | | |
| 2 | Outlet | 7.9 | 36 | east | Round | PVC | | Sample this flow |
| 3 | Inlet | 8.33 | 36 | west | Round | PVC | | |
| 4 | Inlet | | 12 | northeast | | | | not visible from surface |
| 5 | Inlet | | | | | | | |
| 6 | Inlet | | | | | | | |
| | Inlet | | | | | | | |

SAMPLE RECORD

| | |
|---------------------------------------|---|
| Date: <u>4/1/15</u> | Volume: <u>3x40ml/1x500ml/1x1L</u> |
| Time: <u>0930</u> | Analysis: <u>VOC/Metals/pH&TSS</u> |
| Crew: <u>K. Lynch</u> | Chain of Custody #: <u>48172</u> |
| Method: <u>Bailer</u> | Sample Type: <u>water</u> |
| Sample ID: <u>WS-18036-040115-002</u> | Water Level Meter No.: <u>4012</u> |
| pH: <u>8.7</u> | Multimeter No.: <u>07565</u> |
| Conductivity: <u>---</u> | |
| Temperature: <u>---</u> | |
| Turbidity: <u>---</u> | Flow method: <u>Mannings - distance over time</u> |

Comments: Clear, colorless, little sedgs No noted flow.
N inlet wet,

Signature: [Handwritten Signature]

BUFFALO AIRPORT SITE
STORMWATER SEWER SAMPLING FIELD DATA SHEETS

BUFFALO AIRPORT
STORM SEWER SAMPLING DATA

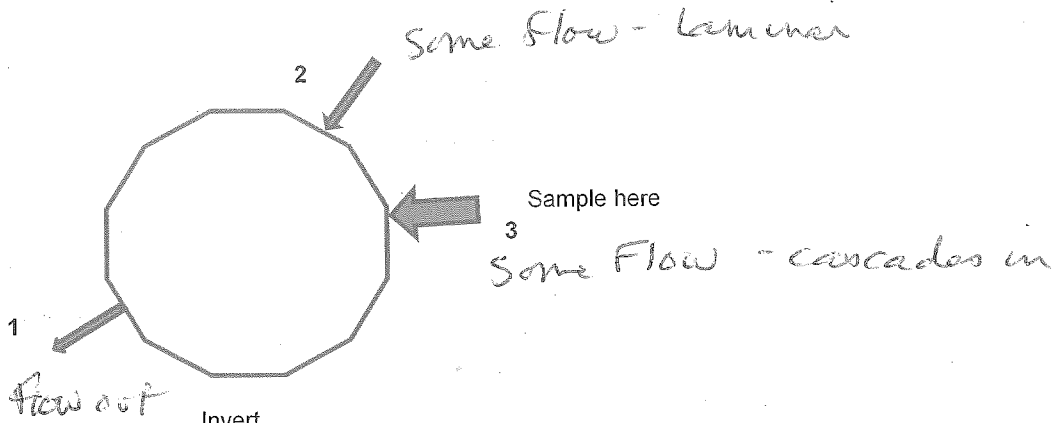
Manhole/Catchbasin ID: 2A

Manhole in grass closest to overhead Sign over airport access road

Date: 4/1/15 Job #: 18036-2014
 Crew: D. Oscar K. Lynch Rim Elevation: _____
 Weather: Clear - 40° F Water Present?: Yes No
 Water depth: 7.24 Ft. BTOR Flow observed?: Yes No
 Manhole depth: 9.5 Ft. BTOR ✓ Sediment present?: Yes No

Measure depths from top of frame.
Round cover over round chamber

Slight in MH none in pipe



| Number on Figure | Inlet/Outlet | Invert Depth (Ft. BTOR) | Diameter (Inches) | Direction | Shape | Material | Flow noted | Comments |
|------------------|--------------|-------------------------|-------------------|-----------|-------|----------|------------|------------------|
| 1 | Outlet | 9.2 | 42 inch | southwest | round | concrete | | |
| 2 | Inlet | 7.5 | 24 inch | northeast | round | PVC | | |
| 3 | Inlet | 5.5 | 24 inch | east | round | PVC | | Sample this flow |
| 4 | Inlet | | | | | | | |
| 5 | Inlet | | | | | | | |
| 6 | Inlet | | | | | | | |

SAMPLE RECORD

Date: 4/1/15 Volume: 3x40ml/1x500ml/1x1L
 Time: 1030 Analysis: VOC/Metals/pH&TSS
 Crew: K. Lynch D. Oscar Chain of Custody #: 48172
 Method: Boiler in cascade Sample Type: water
 Sample ID: WS-18036-140115-004
 pH: 9.5 Water Level Meter No.: 4102
 Conductivity: - Multimeter No.: 7565
 Temperature: -
 Turbidity: - Flow method: Bucket and stopwatch NM

Comments: Flow, colorless.

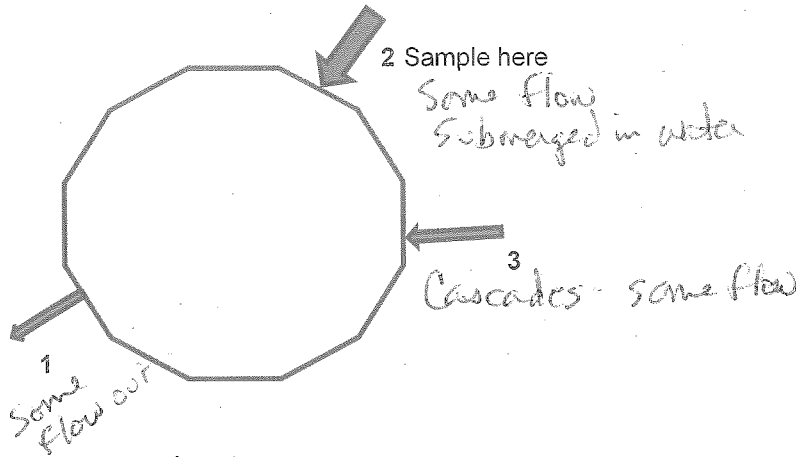
Signature: [Signature]

**BUFFALO AIRPORT
STORM SEWER SAMPLING DATA**

Manhole/Catchbasin ID: 2B
 Manhole in grass closest to overhead Sign over airport access road

| | |
|------------------------------------|----------------------------------|
| Date: <u>4/1/15</u> | Job #: <u>18036-2014</u> |
| Crew: <u>D. Oscar K. Lynch</u> | Rim Elevation: |
| Weather: <u>Clear 40's</u> | Water Present?: <u>Yes</u> No |
| Water depth: <u>7.24</u> Ft. BTOR | Flow observed?: <u>Yes</u> No |
| Manhole depth: <u>9.5</u> Ft. BTOR | Sediment present?: <u>Yes</u> No |

Measure depths from top of frame.
 Round cover over round chamber



| Number on Figure | Inlet/Outlet | Invert Depth (Ft. BTOR) | Diameter (Inches) | Direction | Shape | Material | Flow noted | Comments |
|------------------|--------------|-------------------------|-------------------|-----------|-------|----------|------------|------------------|
| 1 | Outlet | 9.2 | 42 inch | southwest | round | concrete | | |
| 2 | Inlet | 7.5 | 24 inch | northeast | round | PVC | | Sample this flow |
| 3 | Inlet | 5.5 | 24 inch | east | round | PVC | | |
| 4 | Inlet | | | | | | | |
| 5 | Inlet | | | | | | | |
| 6 | Inlet | | | | | | | |

SAMPLE RECORD

| | |
|---------------------------------------|--|
| Date: <u>4/1/15</u> | Volume: <u>3x40ml/1x500ml/1x1L</u> |
| Time: <u>1040</u> | Analysis: <u>VOC/Metals/pH&TSS</u> |
| Crew: <u>D. Oscar K. Lynch</u> | Chain of Custody #: |
| Method: <u>Bucket in pipe</u> | Sample Type: <u>water</u> |
| Sample ID: <u>WS 18036-040115-005</u> | |
| pH: <u>11.3</u> | Water Level Meter No.: <u>4102</u> |
| Conductivity: <u>-</u> | Multimeter No.: <u>7565</u> |
| Temperature: <u>-</u> | |
| Turbidity: <u>-</u> | Flow method: <u>Bucket and stopwatch</u> <u>NM</u> |

Comments: Clear, colorless

Signature: [Handwritten Signature]

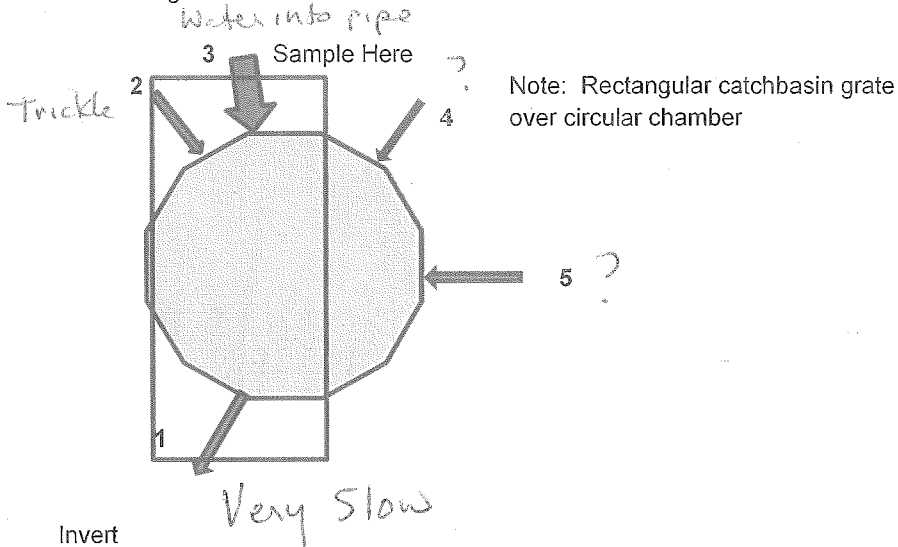
BUFFALO AIRPORT
STORM SEWER SAMPLING DATA

Manhole/Catchbasin ID: 2C

CAUTION: on edge of roadway - traffic control needed (cones or spotter) - *Parking Lot B*

Date: 4/1/15 Job #: 18036-2014
 Crew: DJO/KPL Rim Elevation: _____
 Weather: Clear 40° Water Present?: Yes No
 Water depth: 5.28' Ft. BTOR Flow observed?: Yes No *Very Slow*
 Manhole depth: 5.85 Ft. BTOR Sediment present?: Yes No
 Measure depths from top of frame. *bottom of CB*

Indicate inlets and outlet using arrows. Number clockwise from outlet.



| Number on Figure | Inlet/Outlet | Invert Depth (Ft. BTOR) | Diameter (Inches) | Direction | Shape | Material | Flow noted | Comments |
|------------------|--------------|-------------------------|-------------------|-----------|-------|----------|------------|--------------------------|
| 1 | Outlet | 5.4 | 42 inch | South | round | PVC | | |
| 2 | Inlet | 2.5 | 4 inch | Northwest | round | plastic | | corrugated underdrain |
| 3 | Inlet | 5.6 | 24 inch | North | round | PVC | | Sample this flow |
| 4 | Inlet | 2.5 | 4 inch | Northeast | round | plastic | | corrugated underdrain |
| 5 | Inlet | | 18 inch | east | | | | not visible from surface |
| 6 | Inlet | | | | | | | |

SAMPLE RECORD

Date: 4/1/15 Volume: 3x40ml/1x500ml/1x1L
 Time: 1115 Analysis: VOC/Metals/pH&TSS
 Crew: DJO/KPL Chain of Custody #: 48172
 Method: Bailer Sample Type: water
 Sample ID: WS-18036-040115-006
 pH: 11.6 Water Level Meter No.: 4162
 Conductivity: — Multimeter No.: 7565
 Temperature: —
 Turbidity: —

Flow method: Mannings - distance over time - *Very Slow +30sec over 2-ft.*

Comments: MS/MSD EXTRA VOLUME Clear to sl. cloudy
Removed grate to sample

Signature: *[Handwritten Signature]*

BUFFALO AIRPORT
STORM SEWER SAMPLING DATA

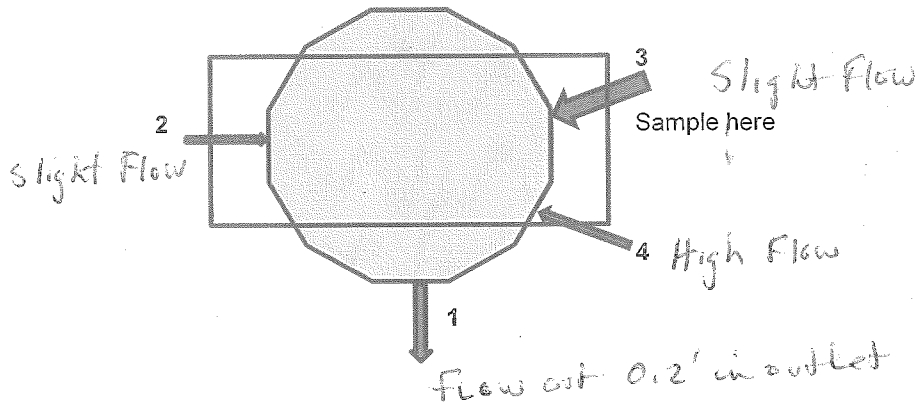
Manhole/Catchbasin ID: 2D

| | |
|------------------------------------|----------------------------------|
| Date: <u>4/1/15</u> | Job #: <u>18036</u> |
| Crew: <u>D. O'Scan, K. Lynch</u> | Rim Elevation: _____ |
| Weather: <u>Clear 40°</u> | Water Present?: <u>Yes</u> No |
| Water depth: <u>4.1</u> Ft. BTOR | Flow observed?: <u>Yes</u> No |
| Manhole depth: <u>5.1</u> Ft. BTOR | Sediment present?: <u>Yes</u> No |

Measure depths from top of frame.

Note: Rectangular catchbasin grate over circular chamber

Note - north side of CB grate is about 0.1 foot higher in elevation than the south side



| Number on Figure | Inlet/Outlet | Invert Depth (Ft. BTOR) | Diameter (Inches) | Direction | Shape | Material | Flow noted | Comments |
|------------------|--------------|-------------------------|-------------------|-----------|-------|----------|------------|-----------------------|
| 1 | Outlet | 4.3 | 18 inch | South | round | PVC | | |
| 2 | Inlet | 3.0 | 4 inch | West | round | plastic | | corrugated underdrain |
| 3 | Inlet | 4.4 | 18 inch | East | round | PVC | | Sample this flow |
| 4 | Inlet | 3.0 | 4 inch | Southeast | round | plastic | | corrugated underdrain |
| 5 | Inlet | | | | | | | |
| 6 | Inlet | | | | | | | |

SAMPLE RECORD

| | |
|---------------------------------------|---|
| Date: <u>4/1/15</u> | Volume: <u>3x40ml/1x500ml/1x1L</u> |
| Time: <u>1000</u> | Analysis: <u>VOC/Metals/pH&TSS</u> |
| Crew: <u>D. O'Scan, K. Lynch</u> | Chain of Custody #: <u>48172</u> |
| Method: <u>Bailer in pipe</u> | Sample Type: <u>water</u> |
| Sample ID: <u>WS-18036-040115-203</u> | |
| pH: <u>8.7</u> | Water Level Meter No.: <u>4102</u> |
| Conductivity: <u>-</u> | Multimeter No.: <u>7564</u> |
| Temperature: <u>-</u> | <u>5-6 Sec / 2 ft</u> |
| Turbidity: <u>-</u> | Flow method: <u>Mannings - distance over time</u> |

Comments: Clear to sl. cldy, little sediment, sediment in bottom of catch basin

Signature: [Handwritten Signature]

BUFFALO AIRPORT
STORM SEWER SAMPLING DATA

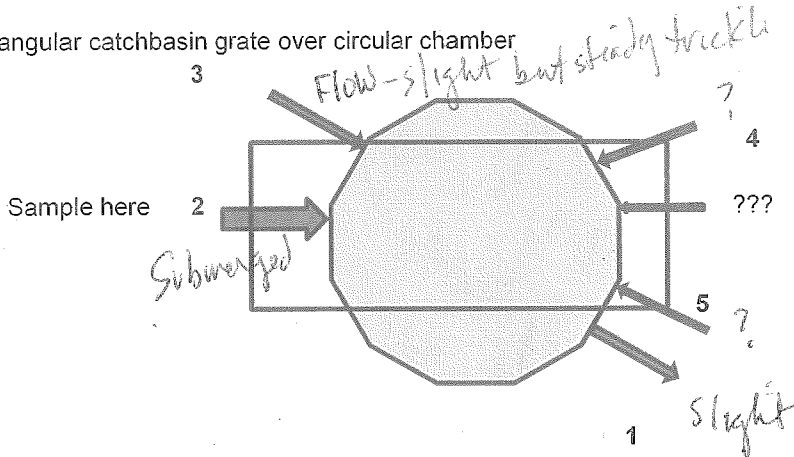
Manhole/Catchbasin ID: 3A

CAUTION: on edge of roadway - traffic control needed (cones or spotter)

Date: 4/1/15 Job #: 18036-2014
 Crew: DJO/KPL Rim Elevation: _____
 Weather: Clear 45°F Water Present?: Yes No
 Water depth: 0.65 Ft. BTOR Flow observed?: Yes No *Very slight*
 Manhole depth: 8.9 Ft. BTOR Sediment present?: Yes No *None observed.*

Measure depths from top of frame.

Note: Rectangular catchbasin grate over circular chamber



| Number on Figure | Inlet/Outlet | Invert Depth (Ft. BTOR) | Diameter (Inches) | Direction | Shape | Material | Flow noted | Comments |
|------------------|--------------|-------------------------|-------------------|-----------|-------|----------|------------|-----------------------|
| 1 | Outlet | 6.7 | 42 inch | southeast | round | PVC | | |
| 2 | Inlet | 6.6 | 42 inch | west | round | PVC | | Sample this flow |
| 3 | Inlet | | 4 inch | northwest | round | plastic | | corrugated underdrain |
| 4 | Inlet | | 4 inch | northeast | round | plastic | | corrugated underdrain |
| 5 | Inlet | | 4 inch | southeast | round | plastic | | corrugated underdrain |
| ??? | Inlet | | 4 inch | east ??? | | | | corrugated underdrain |

SAMPLE RECORD

Date: 4/1/15 Volume: 3x40ml/1x500ml/1x1L
 Time: 1215 Analysis: VOC/Metals/pH&TSS
 Crew: DJO/KPL Chain of Custody #: 48172
 Method: _____ Sample Type: water
 Sample ID: WJS-18036-040115-007
 pH: 10.4 Water Level Meter No.: 4102
 Conductivity: — Multimeter No.: 7565
 Temperature: —
 Turbidity: — Flow method: Bucket and stopwatch

Comments: Clear to Sl. Cloudy

Signature: _____

BUFFALO AIRPORT
STORM SEWER SAMPLING DATA

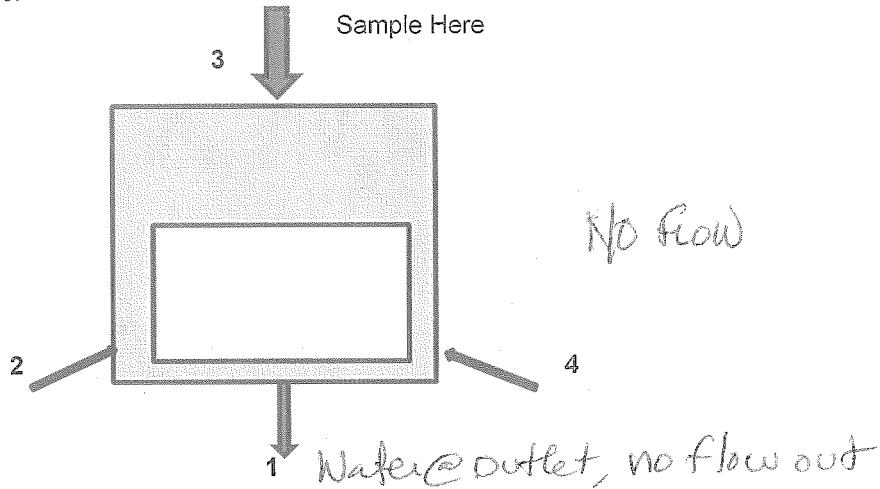
CAUTION: on edge of roadway - traffic control needed (cones or spotter)

Manhole/Catchbasin ID: 3B

| | |
|------------------------------------|--|
| Date: <u>4/1/15</u> | Job #: <u>K8036-2014</u> |
| Crew: <u>DJO/KPC</u> | Rim Elevation: |
| Weather: <u>Clear 45°</u> | Water Present?: <u>Yes</u> No |
| Water depth: <u>4.66</u> Ft. BTOR | Flow observed?: Yes <u>No</u> <u>No Flow</u> |
| Manhole depth: <u>5.5</u> Ft. BTOR | Sediment present?: Yes No |

Measure depths from top of frame.

Rectangular catch basin over rectangular chamber



| Number on Figure | Inlet/Outlet | Invert Depth (Ft. BTOR) | Diameter (Inches) | Direction | Shape | Material | Flow noted | Comments |
|------------------|--------------|-------------------------|-------------------|-----------|-------|----------|------------|-------------|
| 1 | Outlet | 4.7 | 24 | South | round | PVC | | |
| 2 | Inlet | 2.5 | 6 | West | round | plastic | | Underdrain |
| 3 | Inlet | 4.25 | 24 | North | round | PVC | | Sample Here |
| 4 | Inlet | 2.5 | 6 | East | round | plastic | | Underdrain |
| 5 | Inlet | | | | | | | |
| 6 | Inlet | | | | | | | |

SAMPLE RECORD

Date: 4/1/15
 Time: 13
 Crew: DJO/KPC
 Method: BAILER
 Sample ID: WS-18036-04015-010
 pH: 9.5
 Conductivity: -
 Temperature: -
 Turbidity: -

Volume: 3x40ml/1x500ml/1x1L
 Analysis: VOC/Metals/pH&TSS
 Chain of Custody #: 48172
 Sample Type: water
 Water Level Meter No.: 4012
 Multimeter No.: 7565

Flow method: Mannings distance over time No Flow

Comments: Clear to Sl. Cloudy, Colorless

Signature: [Signature]

BUFFALO AIRPORT
STORM SEWER SAMPLING DATA

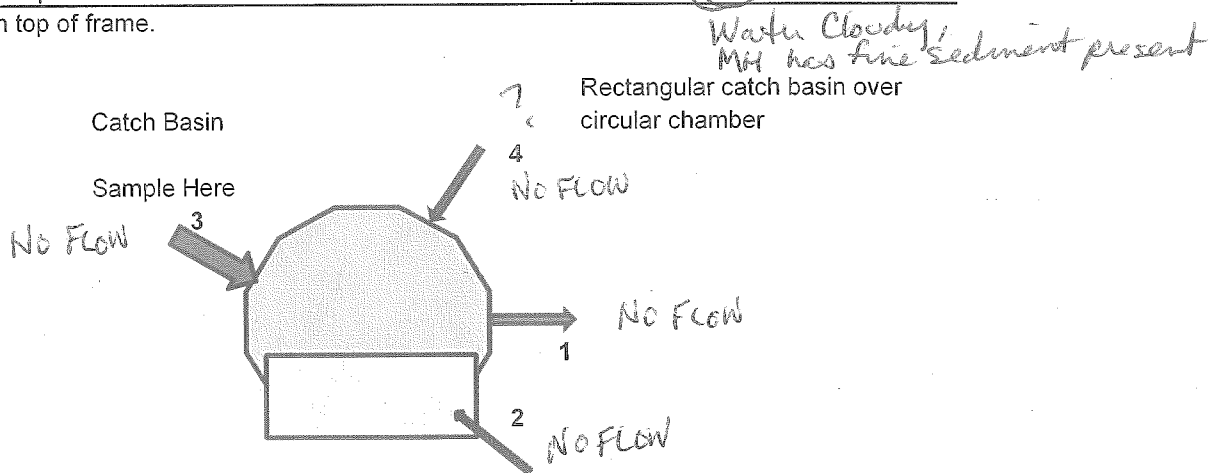
Manhole/Catchbasin ID: 3C

CAUTION: on edge of exit roadway - traffic control needed (cones or spotter)

| | |
|-------------------------------------|----------------------------------|
| Date: <u>4/1/15</u> | Job #: <u>18036-2014</u> |
| Crew: <u>DJO/KPC</u> | Rim Elevation: |
| Weather: <u>Clear, 45°</u> | Water Present?: <u>Yes</u> No |
| Water depth: <u>5.83</u> Ft. BTOR | Flow observed?: Yes <u>No</u> |
| Manhole depth: <u>6.55</u> Ft. BTOR | Sediment present?: <u>Yes</u> No |

Measure depths from top of frame.

Catch Basin



Number on

| Figure | Inlet/Outlet | Depth | Diameter | Direction | Shape | Material | Flow noted | Comments |
|--------|--------------|-------|----------|-----------|-------|----------|------------|--------------------------|
| 1 | Outlet | 5.83 | 24 | east | round | PVC | | |
| 2 | Inlet | 2.5 | 6 | southeast | round | plastic | | Underdrain |
| 3 | Inlet | 5.83 | 24 | west | round | PVC | | Sample Here |
| 4 | Inlet | ??? | 12 | northeast | | | | not visible from surface |
| 5 | Inlet | | | | | | | |
| 6 | Inlet | | | | | | | |

SAMPLE RECORD

| | |
|---|--|
| Date: <u>4/1/15</u> | Volume: <u>3x40ml/1x500ml/1x1L</u> |
| Time: <u>1230 + 1240</u> | Analysis: <u>VOC/Metals/pH&TSS</u> |
| Crew: <u>DJO/KPC</u> | Chain of Custody #: <u>48172</u> |
| Method: <u>BAILER</u> | Sample Type: <u>water</u> |
| Sample ID: <u>NS-18036-040115-003/DUP 009</u> | |
| pH: <u>8.6</u> | Water Level Meter No.: <u>4102</u> |
| Conductivity: <u>—</u> | Multimeter No.: <u>7565</u> |
| Temperature: <u>—</u> | |
| Turbidity: <u>—</u> | Flow method: <u>Mannings - distance over time</u> <u>No Flow</u> |

Comments: Very Cloudy, dark brown, sediment in all samples

Signature: [Signature]

BUFFALO AIRPORT
STORM SEWER SAMPLING DATA SHEET

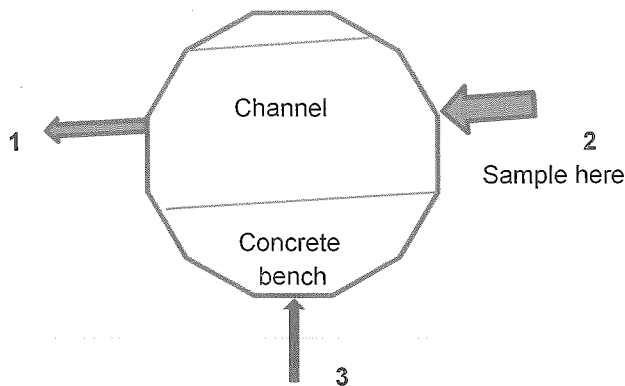
BUFFALO AIRPORT
STORM SEWER SAMPLING DATA

Manhole/Catchbasin ID: 1A
In sidewalk south side of Genesee Street near 4499 Genesee.

Date: 6/18/15 Job #: 18036
Crew: DJO/KPC Rim Elevation: _____
Weather: Mostly Sunny 75° Water Present?: Yes No
Water depth: 1/2" Ft. BTOR 13.1' Flow observed?: Yes No
Manhole depth: 13.0 Ft. BTOR Sediment present?: Yes No
Measure depths from top of frame.

On sidewalk south side of Genesee Street

*~ 1/2" to 3/4" in pipe
more in chamber & outlet*



| Number on Figure | Inlet/Outlet | Invert Depth (Ft. BTOR) | Diameter (Inches) | Direction | Shape | Material | Flow noted | Comments |
|------------------|--------------|-------------------------|-------------------|-----------|-------|----------|------------|------------------|
| 1 | Outlet | 13.25 | 42 inch | South | Round | | Yes | Majority of flow |
| 2 | Inlet | 13.0 | 42 inch | North | Round | | Yes | Sample this flow |
| 3 | Inlet | 9.0 | 24 inch | East | Round | | Yes | |
| 4 | Inlet | | | | | | | |
| 5 | Inlet | | | | | | | |
| 6 | Inlet | | | | | | | |

SAMPLE RECORD

Date: 6/18/15 Volume: 3x40ml/1x500ml/1x1L
Time: 1330 Analysis: VOC/Metals/pH&TSS
Crew: DJO/KPC Chain of Custody #: 48805
Method: Dipper on pole w/ ^{Bailer} Oil Sample Type: water
Sample ID: SW 18036-061815
pH: 6.0 to 7.0 Water Level Meter No.: 7181
Conductivity: _____ Multimeter No.: Dip Strip
Temperature: _____
Turbidity: _____ Flow method: Mannings - distance over time

Comments: Majority of flow from East cascading into manhole. Water is clear

Signature: [Signature]

BUFFALO AIRPORT
STORM SEWER SAMPLING DATA

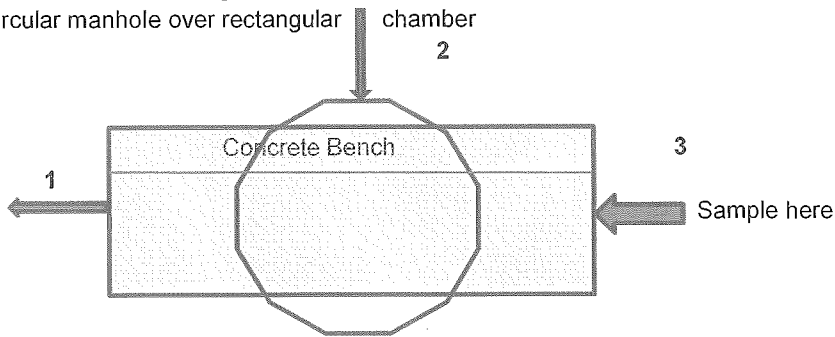
Manhole/Catchbasin ID: 1B

Date: 6/18/15 Job #: 18036
 Crew: DJO/KPC Rim Elevation: -
 Weather: mostly cloudy Water Present?: Yes No
 Water depth: <1/2" Ft. BTOR Flow observed?: Yes No
 Manhole depth: 6.8 Ft. BTOR Sediment present?: Yes No

Measure depths from top of frame.

Indicate inlets and outlet using arrows. Number clockwise from outlet.

Note: Circular manhole over rectangular chamber



| Number on Figure | Inlet/Outlet | Invert Depth (Ft. BTOR) | Diameter (Inches) | Direction | Shape | Material | Flow noted | Comments |
|------------------|--------------|-------------------------|-------------------|-----------|-------|----------|------------|------------------|
| 1 | Outlet | 7.0 | 42 inch | West | Round | Plastic | YES | out |
| 2 | Inlet | 5.25 | 18 inch | North | Round | PVC | NONE | |
| 3 | Inlet | 6.7 | 42 inch | East | Round | Plastic | YES | Sample this flow |
| 4 | Inlet | | | | | | | |
| 5 | Inlet | | | | | | | |
| 6 | Inlet | | | | | | | |

SAMPLE RECORD

Date: 6/18/15 Volume: 3x40ml/1x500ml/1x1L
 Time: 0845 Analysis: VOC/Metals/pH&TSS
 Crew: DJO KPC Chain of Custody #: 48805
 Method: BAILER Sample Type: water
 Sample ID: SW 18036 061815-001
 pH: 6 to 7 Water Level Meter No.: None
 Conductivity: - Multimeter No.: Dip Strip
 Temperature: -
 Turbidity: - Flow method: Mannings - distance over time

Comments: Low flow: bailed sample Water clear
minimal sediments

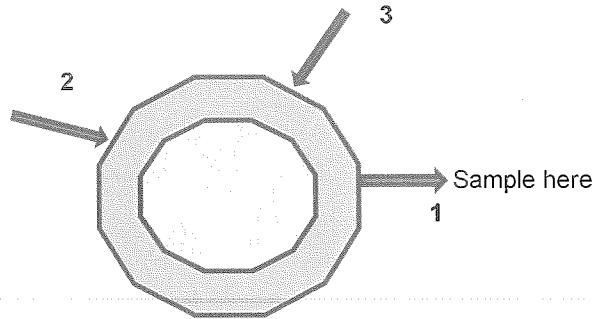
Signature: [Signature]

BUFFALO AIRPORT
STORM SEWER SAMPLING DATA

Manhole/Catchbasin ID: 1C
Edge of Rip Rap to West of blast fence

| | |
|-------------------------------------|----------------------------------|
| Date: <u>6/18/15</u> | Job #: <u>18036</u> |
| Crew: <u>DSO/KPL</u> | Rim Elevation: |
| Weather: | Water Present?: <u>Yes</u> No |
| Water depth: <u>7.89</u> Ft. BTOR | Flow observed?: Yes <u>No</u> |
| Manhole depth: <u>8.45</u> Ft. BTOR | Sediment present?: Yes <u>No</u> |

Measure depths from top of frame.
Round catch basin over round manhole



Number on Figure

| 1 | Inlet/Outlet | Depth | Diameter | Direction | Shape | Material | Flow noted | Comments |
|---|--------------|-------|----------|-----------|-------|----------|------------|--------------------------|
| 2 | Outlet | 7.9 | 36 | east | Round | PVC | No | Sample this flow |
| 3 | Inlet | 8.33 | 36 | west | Round | PVC | No | |
| 4 | Inlet | | 12 | northeast | | | No | not visible from surface |
| 5 | Inlet | | | | | | | |
| 6 | Inlet | | | | | | | |
| | Inlet | | | | | | | |

SAMPLE RECORD

| | |
|---------------------------------------|---|
| Date: <u>6/18/15</u> | Volume: <u>3x40ml/1x500ml/1x1L</u> |
| Time: <u>0915</u> | Analysis: <u>VOC/Metals/pH&TSS</u> |
| Crew: <u>DJO/KPL</u> | Chain of Custody #: <u>48805</u> |
| Method: <u>Bailer</u> | Sample Type: <u>water</u> |
| Sample ID: <u>SW-18036-061815-002</u> | Water Level Meter No.: <u>7181</u> |
| pH: <u>6 to 7</u> | Multimeter No.: <u>Dip Strip</u> |
| Conductivity: <u>-</u> | |
| Temperature: <u>-</u> | |
| Turbidity: <u>-</u> | Flow method: <u>Mannings - distance over time</u> |

Comments: No discernable flow - sample water in MH outlet + #2 pipes wet

Signature: [Handwritten Signature]

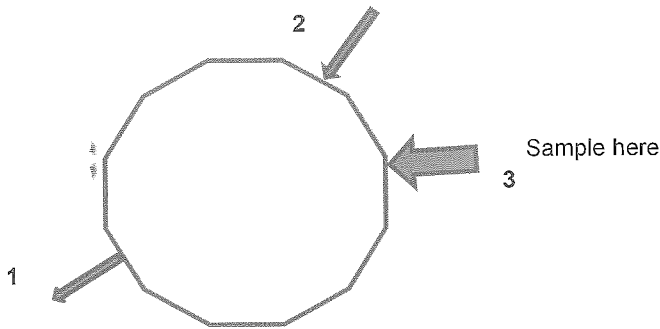
BUFFALO AIRPORT SITE
STORMWATER SEWER SAMPLING FIELD DATA SHEETS

BUFFALO AIRPORT
STORM SEWER SAMPLING DATA

Manhole/Catchbasin ID: 2A
Manhole in grass closest to overhead Sign over airport access road

| | |
|------------------------------------|--|
| Date: <u>6/18/15</u> | Job #: <u>18036</u> |
| Crew: <u>DJO/KPL</u> | Rim Elevation: |
| Weather: <u>Mostly Sunny 75°</u> | Water Present?: <u>Yes</u> No |
| Water depth: <u>7.28</u> Ft. BTOR | Flow observed?: <u>Yes</u> No Yes |
| Manhole depth: <u>9.5</u> Ft. BTOR | Sediment present?: Yes <u>No</u> |

Measure depths from top of frame.
Round cover over round chamber



| Number on Figure | Inlet/Outlet | Invert | | Direction | Shape | Material | Flow noted | Comments |
|------------------|--------------|------------------|-------------------|-----------|-------|----------|--------------|-----------------------------------|
| | | Depth (Ft. BTOR) | Diameter (Inches) | | | | | |
| 1 | Outlet | 9.2 | 42 inch | southwest | round | concrete | Yes | |
| 2 | Inlet | 7.5 | 24 inch | northeast | round | PVC | No to slight | |
| 3 | Inlet | 5.5 | 24 inch | east | round | PVC | Yes | Sample this flow Cascades into MH |
| 4 | Inlet | | | | | | | |
| 5 | Inlet | | | | | | | |
| 6 | Inlet | | | | | | | |

SAMPLE RECORD

| | |
|---------------------------------------|--|
| Date: <u>6/18/15</u> | Volume: <u>3x40ml/1x500ml/1x1L</u> |
| Time: <u>10:15</u> | Analysis: <u>VOC/Metals/pH&TSS</u> |
| Crew: <u>DJO/KPL</u> | Chain of Custody #: <u>48805</u> |
| Method: | Sample Type: <u>water</u> |
| Sample ID: <u>SW 18036-061815-004</u> | Water Level Meter No.: <u>7181</u> |
| pH: <u>7</u> | Multimeter No.: <u>Dip strip</u> |
| Conductivity: <u>-</u> | |
| Temperature: <u>-</u> | |
| Turbidity: <u>-</u> | Flow method: <u>Bucket and stopwatch</u> |

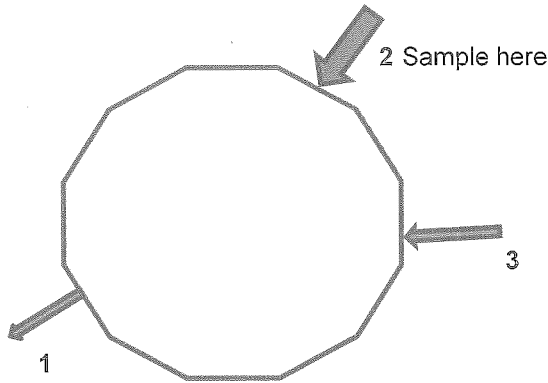
Comments: Cascades into MH.
Outlet & #2 inlet 1/2 submerged
n/3 gal in 5 sec
Signature: [Signature]

BUFFALO AIRPORT
STORM SEWER SAMPLING DATA

Manhole/Catchbasin ID: 2B
Manhole in grass closest to overhead Sign over airport access road

Date: 6/18/15 Job #: 18036
 Crew: DJO/KPL Rim Elevation: _____
 Weather: Mostly sunny 75° Water Present?: Yes No
 Water depth: 7.28 Ft. BTOR Flow observed?: Yes No *to very slight*
 Manhole depth: 9.5 Ft. BTOR Sediment present?: Yes No

Measure depths from top of frame.
Round cover over round chamber



| Number on Figure | Inlet/Outlet | Invert Depth (Ft. BTOR) | Diameter (Inches) | Direction | Shape | Material | Flow noted | Comments |
|------------------|--------------|-------------------------|-------------------|-----------|-------|----------|---------------|----------------------------------|
| 1 | Outlet | 9.2 | 42 inch | southwest | round | concrete | Yes | 1/2 submerged |
| 2 | Inlet | 7.5 | 24 inch | northeast | round | PVC | 1/2 full pipe | Sample this flow |
| 3 | Inlet | 5.5 | 24 inch | east | round | PVC | Yes | above w/l on man cascading in |
| 4 | Inlet | | | | | | | |
| 5 | Inlet | | | | | | | |
| 6 | Inlet | | | | | | | |

SAMPLE RECORD

Date: 6/18/15 Volume: 3x40ml/1x500ml/1x1L
 Time: 1000 Analysis: VOC/Metals/pH&TSS
 Crew: DJO/KPL Chain of Custody #: 48805
 Method: Bucket in pipe Sample Type: water
 Sample ID: SN 18036-061815-005
 pH: 10/011 Water Level Meter No.: 7181
 Conductivity: - Multimeter No.: Dip Strip
 Temperature: -
 Turbidity: - Flow method: Bucket and stopwatch

Comments: Water stands in bottom of MH 1/2 way up outlet @ 2B Sample Loc

Signature: [Signature]

BUFFALO AIRPORT
STORM SEWER SAMPLING DATA

Manhole/Catchbasin ID: 2C

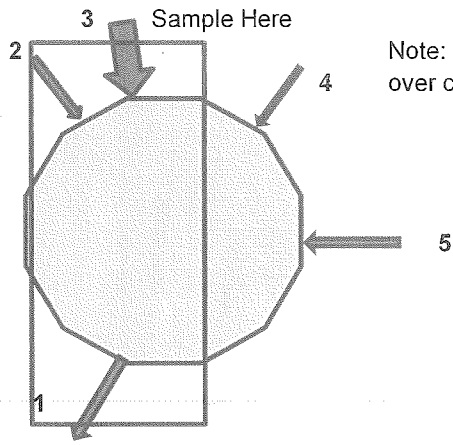
CAUTION: on edge of roadway - traffic control needed (cones or spotter)

Date: 6/18/15 Job #: 18036
 Crew: DJO/KPL Rim Elevation: _____
 Weather: Mostly sunny 75° Water Present?: Yes No
 Water depth: 5.41 Ft. BTOR Flow observed?: Yes No *From East, not from sample point*
 Manhole depth: 5.85 Ft. BTOR Sediment present?: Yes No

Measure depths from top of frame.

Indicate inlets and outlet using arrows. Number clockwise from outlet.

Slight amount of sediment



Note: Rectangular catchbasin grate over circular chamber

| Number on Figure | Inlet/Outlet | Invert Depth (Ft. BTOR) | Diameter (Inches) | Direction | Shape | Material | Flow noted | Comments |
|------------------|--------------|-------------------------|-------------------|-----------|-------|----------|-----------------------|--------------------------|
| 1 | Outlet | 5.4 | 42 inch | South | round | PVC | <u>Yes</u> | |
| 2 | Inlet | 2.5 | 4 inch | Northwest | round | plastic | <u>Drip</u> | corrugated underdrain |
| 3 | Inlet | 5.6 | 24 inch | North | round | PVC | <u>None out</u> | Sample this flow |
| 4 | Inlet | 2.5 | 4 inch | Northeast | round | plastic | <u>?</u> | corrugated underdrain |
| 5 | Inlet | | 18 inch | east | | | <u>Dripping water</u> | not visible from surface |
| 6 | Inlet | | | | | | | |

SAMPLE RECORD

Date: 6/18 Volume: 3x40ml/1x500ml/1x1L
 Time: 1:0945 Analysis: VOC/Metals/pH&TSS
 Crew: DJO/KPL Chain of Custody #: 48805
 Method: Bailer Sample Type: water
 Sample ID: SW 18036-061815-003
 pH: 10 to 11 Water Level Meter No.: 7181
 Conductivity: = Multimeter No.: Dip Strip
 Temperature: =
 Turbidity: = Flow method: Mannings - distance over time

Comments: Sample up into pipe

Signature: [Signature]

BUFFALO AIRPORT
STORM SEWER SAMPLING DATA

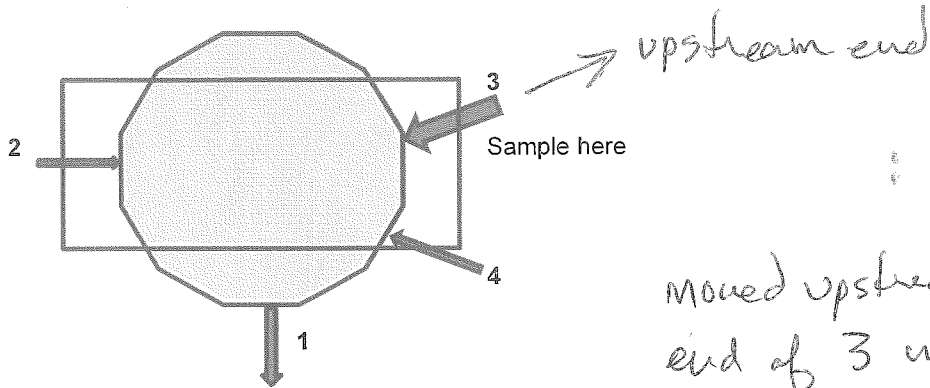
Manhole/Catchbasin ID: 2D

Date: 6/18/15 Job #: 18036
 Crew: DJO/KPL Rim Elevation: _____
 Weather: Mostly Sunny 75° Water Present?: Yes No
 Water depth: 4.10 Ft. BTOR Flow observed?: Yes No to slight
 Manhole depth: 5.1 Ft. BTOR Sediment present?: Yes No

Measure depths from top of frame.

Note: Rectangular catchbasin grate over circular chamber

Note - north side of CB grate is about 0.1 foot higher in elevation than the south side



Moved upstream end of 3 inlet to collect sample

| Number on Figure | Inlet/Outlet | Invert Depth (Ft. BTOR) | Diameter (Inches) | Direction | Shape | Material | Flow noted | Comments |
|------------------|--------------|-------------------------|-------------------|-----------|-------|----------|------------|-----------------------|
| 1 | Outlet | 4.3 | 18 inch | South | round | PVC | yes | |
| 2 | Inlet | 3.0 | 4 inch | West | round | plastic | S | corrugated underdrain |
| 3 | Inlet | 4.4 | 18 inch | East | round | PVC | slight? | Sample this flow |
| 4 | Inlet | 3.0 | 4 inch | Southeast | round | plastic | yes | corrugated underdrain |
| 5 | Inlet | | | | | | | |
| 6 | Inlet | | | | | | | |

SAMPLE RECORD

Date: 6/18/15 Volume: 3x40ml/1x500ml/1x1L
 Time: 1130 Analysis: VOC/Metals/pH&TSS
 Crew: DJO/KPL Chain of Custody #: 44305
 Method: Bailer Sample Type: water
 Sample ID: SW 18036-061815-008
 pH: 7 to 8 Water Level Meter No.: 7181
 Conductivity: - Multimeter No.: Dip Strip
 Temperature: -
 Turbidity: - Flow method: Mannings - distance over time

Comments: Sample at inlet end of #3 pipe as most flow in CB 2D is from #4 with mixing

Signature: [Handwritten Signature]

BUFFALO AIRPORT
STORM SEWER SAMPLING DATA

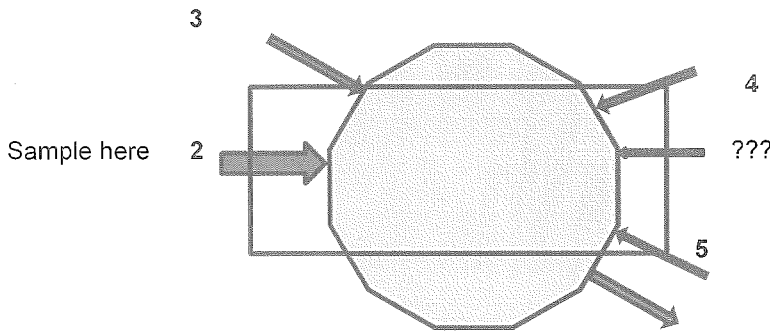
Manhole/Catchbasin ID: 3A

CAUTION: on edge of roadway - traffic control needed (cones or spotter)

Date: 6/18 Job #: 6/18/15
 Crew: DJO / KPL Rim Elevation: _____
 Weather: Mostly Sunny 75+° Water Present?: Yes No
 Water depth: 6.57 Ft. BTOR Flow observed?: Yes No or very slight
 Manhole depth: 8.9 Ft. BTOR Sediment present?: Yes No

Measure depths from top of frame.

Note: Rectangular catchbasin grate over circular chamber



| Number on Figure | Inlet/Outlet | Invert Depth (Ft. BTOR) | Diameter (Inches) | Direction | Shape | Material | Flow noted | Comments |
|------------------|--------------|-------------------------|-------------------|-----------|-------|----------|----------------|-----------------------|
| 1 | Outlet | 6.7 | 42 inch | southeast | round | PVC | None to slight | |
| 2 | Inlet | 6.6 | 42 inch | west | round | PVC | None to slight | Sample this flow |
| 3 | Inlet | | 4 inch | northwest | round | plastic | | corrugated underdrain |
| 4 | Inlet | | 4 inch | northeast | round | plastic | | corrugated underdrain |
| 5 | Inlet | | 4 inch | southeast | round | plastic | | corrugated underdrain |
| ??? | Inlet | | 4 inch | east ??? | | | | corrugated underdrain |

SAMPLE RECORD

Date: 6/18/15 Volume: 3x40ml/1x500ml/1x1L
 Time: 1045 Analysis: VOC/Metals/pH&TSS
 Crew: DJO / KPL Chain of Custody #: 48805
 Method: Bailer from inside pipe Sample Type: water
 Sample ID: SW 18036-061815-006
 pH: 7 Water Level Meter No.: 7181
 Conductivity: - Multimeter No.: Dip Stick
 Temperature: -
 Turbidity: - Flow method: Bucket and stopwatch

Comments: Duplicate of SW 18036-061815-007

Signature: [Signature]

BUFFALO AIRPORT
STORM SEWER SAMPLING DATA

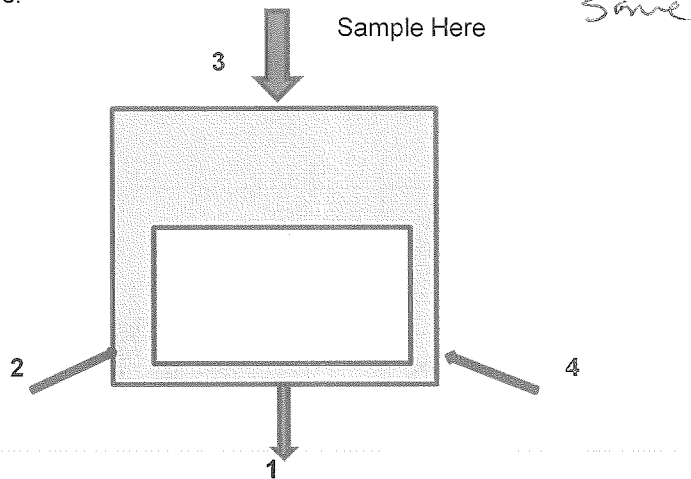
CAUTION: on edge of roadway - traffic control needed (cones or spotter)

Manhole/Catchbasin ID: 3B

| | |
|------------------------------------|----------------------------------|
| Date: <u>6/18/15</u> | Job #: <u>18036</u> |
| Crew: <u>DJO/KPL</u> | Rim Elevation: |
| Weather: <u>mostly sunny 75°</u> | Water Present?: <u>Yes</u> No |
| Water depth: <u>4.68</u> Ft. BTOR | Flow observed?: Yes <u>No</u> |
| Manhole depth: <u>5.5</u> Ft. BTOR | Sediment present?: <u>Yes</u> No |

Measure depths from top of frame.

Rectangular catch basin over rectangular chamber



| Number on Figure | Inlet/Outlet | Invert Depth (Ft. BTOR) | Diameter (Inches) | Direction | Shape | Material | Flow noted | Comments |
|------------------|--------------|-------------------------|-------------------|-----------|-------|----------|-------------|-------------|
| 1 | Outlet | 4.7 | 24 | South | round | PVC | <u>None</u> | |
| 2 | Inlet | 2.5 | 6 | West | round | plastic | <u>None</u> | Underdrain |
| 3 | Inlet | 4.25 | 24 | North | round | PVC | <u>None</u> | Sample Here |
| 4 | Inlet | 2.5 | 6 | East | round | plastic | <u>None</u> | Underdrain |
| 5 | Inlet | | | | | | | |
| 6 | Inlet | | | | | | | |

SAMPLE RECORD

| | |
|---------------------------------------|---|
| Date: <u>6/18/15</u> | Volume: <u>3x40ml/1x500ml/1x1L</u> |
| Time: <u>1300</u> | Analysis: <u>VOC/Metals/pH&TSS</u> |
| Crew: <u>DJO/KPL</u> | Chain of Custody #: <u>48805</u> |
| Method: <u>Bailer</u> | Sample Type: <u>water</u> |
| Sample ID: <u>SW 18036 061815-010</u> | |
| pH: <u>5 to 6</u> | Water Level Meter No.: <u>7151</u> |
| Conductivity: <u>-</u> | Multimeter No.: <u>Dip strip</u> |
| Temperature: <u>-</u> | |
| Turbidity: <u>-</u> | Flow method: <u>Mannings - distance over time</u> |

Comments: No flow - dust on water surface

Signature: [Signature]

BUFFALO AIRPORT
STORM SEWER SAMPLING DATA

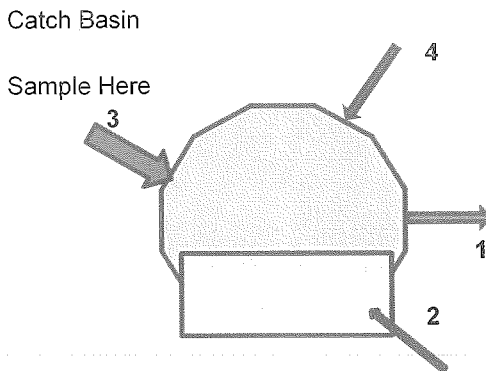
Manhole/Catchbasin ID: 3C
CAUTION: on edge of exit roadway - traffic control needed (cones or spotter)

Date: 6/18/15 Job #: 18036
Crew: DJO/KPC Rim Elevation: _____
Weather: Mostly Sunny 75° Water Present?: Yes No
Water depth: 5.83 Ft. BTOR Flow observed?: Yes No
Manhole depth: 6.55 Ft. BTOR Sediment present?: Yes No

Measure depths from top of frame.

Catch Basin

Rectangular catch basin over circular chamber



| Number on Figure | Inlet/Outlet | Depth | Diameter | Direction | Shape | Material | Flow noted | Comments |
|------------------|--------------|-------|----------|-----------|-------|----------|------------|--------------------------|
| 1 | Outlet | 5.83 | 24 | east | round | PVC | None | |
| 2 | Inlet | 2.5 | 6 | southeast | round | plastic | None | Underdrain |
| 3 | Inlet | 5.83 | 24 | west | round | PVC | None | Sample Here |
| 4 | Inlet | ??? | 12 | northeast | | | - | not visible from surface |
| 5 | Inlet | | | | | | | |
| 6 | Inlet | | | | | | | |

SAMPLE RECORD

Date: 6/18/15 Volume: 3x40ml/1x500ml/1x1L
Time: 1200 Analysis: VOC/Metals/pH&TSS
Crew: DJO/KPC Chain of Custody #: 48805
Method: Bailer Sample Type: water
Sample ID: WS-18036-061815-009
pH: 7-8 Water Level Meter No.: 7181
Conductivity: - +MS/MSD Multimeter No.: Dip strip
Temperature: -
Turbidity: - Flow method: Mannings - distance over time

Comments: No flow - dust on water surface
cloudy samples.

Signature: [Signature]

BUFFALO AIRPORT
STORM SEWER SAMPLING DATA SHEET

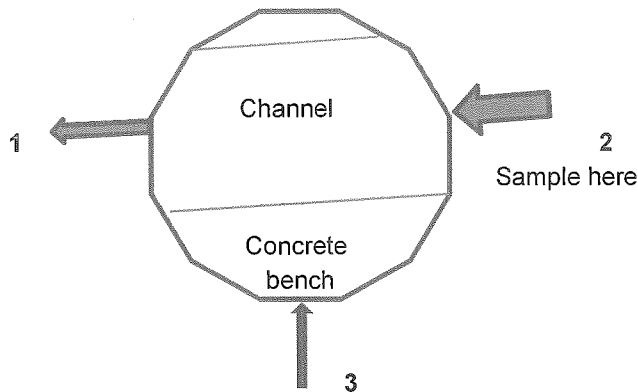
BUFFALO AIRPORT
STORM SEWER SAMPLING DATA

Manhole/Catchbasin ID: 1A
In sidewalk south side of Genesee Street near 4499 Genesee.

| | | | |
|----------------|-------------------|--------------------|---|
| Date: | 9/10/2015 | Job #: | 18036 - 2014 |
| Crew: | DJO/KPL | Rim Elevation: | |
| Weather: | 75° Sun | Water Present?: | <input checked="" type="checkbox"/> Yes <input type="checkbox"/> No |
| Water depth: | 12.8 1/4 Ft. BTOR | Flow observed?: | <input checked="" type="checkbox"/> Yes <input type="checkbox"/> No |
| Manhole depth: | 13.0 Ft. BTOR | Sediment present?: | Yes <input checked="" type="checkbox"/> No |

Measure depths from top of frame.

On sidewalk south side of Genesee Street



| Number on Figure | Inlet/Outlet | Invert Depth (Ft. BTOR) | Diameter (Inches) | Direction | Shape | Material | Flow noted | Comments |
|------------------|--------------|-------------------------|-------------------|-----------|-------|----------|------------|------------------|
| 1 | Outlet | 13.25 | 42 inch | South | Round | | | |
| 2 | Inlet | 13.0 | 42 inch | North | Round | | | Sample this flow |
| 3 | Inlet | 9.0 | 24 inch | East | Round | | | |
| 4 | Inlet | | | | | | | |
| 5 | Inlet | | | | | | | |
| 6 | Inlet | | | | | | | |

SAMPLE RECORD

| | | | |
|---------------|---------------------|------------------------|---------------------|
| Date: | 9/10/2015 | Volume: | 3x40ml/1x500ml/1x1L |
| Time: | 1245 | Analysis: | VOC/Metals/pH&TSS |
| Crew: | DJO/KPL | Chain of Custody #: | 48143 |
| Method: | Dipperon pole | Sample Type: | water |
| Sample ID: | SW-18036-091015-011 | Water Level Meter No.: | 7182 |
| pH: | 7.82 | Multimeter No.: | 8272 |
| Conductivity: | — | | |
| Temperature: | 22.9 | | |
| Turbidity: | — | | |

Flow method: Mannings - distance over time

Comments: Most flow from east side - sample north of splashing inflow from east

Signature: [Handwritten Signature]

BUFFALO AIRPORT
STORM SEWER SAMPLING DATA

Manhole/Catchbasin ID: 1B

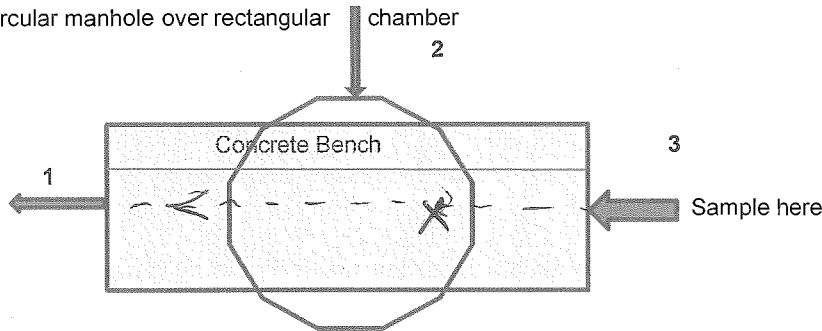
Date: 9/10/2015 Job #: 18036
 Crew: DJO/KPL Rim Elevation: _____
 Weather: 70° Mostly Cloudy Water Present?: Yes No Very little
 Water depth: 6.75? Ft. BTOR Flow observed?: Yes No
 Manhole depth: 6.8 Ft. BTOR Sediment present?: Yes No

< 1/2"

Measure depths from top of frame.

Indicate inlets and outlet using arrows. Number clockwise from outlet.

Note: Circular manhole over rectangular chamber



| Number on Figure | Inlet/Outlet | Invert Depth (Ft. BTOR) | Diameter (Inches) | Direction | Shape | Material | Flow noted | Comments |
|------------------|--------------|-------------------------|-------------------|-----------|-------|----------|------------|------------------|
| 1 | Outlet | 7.0 | 42 inch | West | Round | Plastic | | |
| 2 | Inlet | 5.25 | 18 inch | North | Round | PVC | | |
| 3 | Inlet | 6.7 | 42 inch | East | Round | Plastic | | Sample this flow |
| 4 | Inlet | | | | | | | |
| 5 | Inlet | | | | | | | |
| 6 | Inlet | | | | | | | |

SAMPLE RECORD

Date: 9/10/2015
 Time: 0800
 Crew: DJO/KPL
 Method: Dipper on pole
 Sample ID: SW-18036-091015-001
 pH: 8.13
 Conductivity: —
 Temperature: — 16.7°C
 Turbidity: —

Volume: 3x40ml/1x500ml/1x1L
 Analysis: VOC/Metals/pH&TSS
 Chain of Custody #: 48143
 Sample Type: water

Water Level Meter No.: _____
 Multimeter No.: 8272

Flow method: Mannings - distance over time

Comments: Very low flow - but All from east to west.

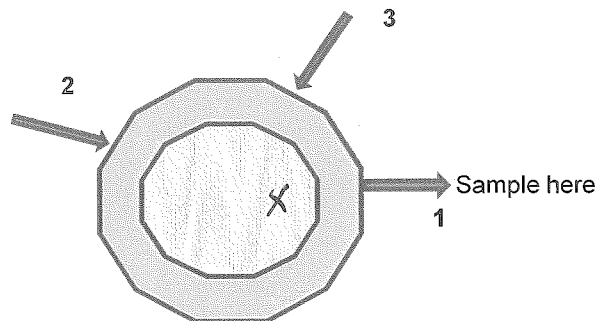
Signature: [Signature]

BUFFALO AIRPORT
STORM SEWER SAMPLING DATA

Manhole/Catchbasin ID: 1C
Edge of Rip Rap to West of blast fence

| | | | |
|----------------|-------------------|--------------------|------------|
| Date: | 9/10/2015 | Job #: | 18036-2014 |
| Crew: | DJO/KPL | Rim Elevation: | |
| Weather: | 70° Mostly Cloudy | Water Present?: | Yes No |
| Water depth: | 7.88 Ft. BTOR | Flow observed?: | Yes No |
| Manhole depth: | 8.45 Ft. BTOR | Sediment present?: | Yes No |

Measure depths from top of frame.
Round catch basin over round manhole



Number on
Figure

| Number on Figure | Inlet/Outlet | Depth | Diameter | Direction | Shape | Material | Flow noted | Comments |
|------------------|--------------|-------|----------|-----------|-------|----------|------------|--------------------------|
| 1 | Inlet/Outlet | | | | | | | |
| 2 | Outlet | 7.9 | 36 | east | Round | PVC | | Sample this flow |
| 3 | Inlet | 8.33 | 36 | west | Round | PVC | | |
| 4 | Inlet | | 12 | northeast | | | | not visible from surface |
| 5 | Inlet | | | | | | | |
| 6 | Inlet | | | | | | | |
| | Inlet | | | | | | | |

SAMPLE RECORD

| | | | |
|---------------|---------------------|------------------------|-------------------------------|
| Date: | 9/10/2015 | Volume: | 3x40ml/1x500ml/1x1L |
| Time: | 0830 | Analysis: | VOC/Metals/pH&TSS |
| Crew: | DJO/KPL | Chain of Custody #: | 48143 |
| Method: | Bailer | Sample Type: | water |
| Sample ID: | SW-18036-091015-002 | Water Level Meter No.: | 7182 |
| pH: | 8.27 | Multimeter No.: | 7182 8272 |
| Conductivity: | - | Flow method: | Mannings - distance over time |
| Temperature: | - 17.6°C | | |
| Turbidity: | - | | |

Comments: No Apparent Flow - Water in chamber up to outlet.

Signature: [Handwritten Signature]

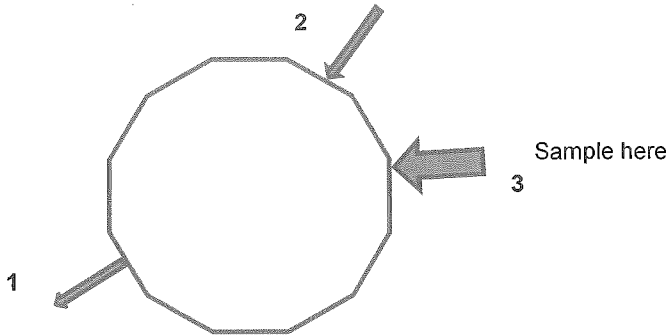
BUFFALO AIRPORT SITE
STORMWATER SEWER SAMPLING FIELD DATA SHEETS

BUFFALO AIRPORT
STORM SEWER SAMPLING DATA

Manhole/Catchbasin ID: 2A
Manhole in grass closest to overhead Sign over airport access road

Date: 9/10/2015 Job #: 18036-2014
Crew: DJO/KPL Rim Elevation: _____
Weather: 70° Mostly Cloudy Water Present?: Yes No
Water depth: 7.22' Ft. BTOR Flow observed?: Yes No backed up into outlet pipe
Manhole depth: 9.5 Ft. BTOR Sediment present?: Yes No

Measure depths from top of frame.
Round cover over round chamber



| Number on Figure | Inlet/Outlet | Invert | | Direction | Shape | Material | Flow noted | Comments |
|------------------|--------------|------------------|-------------------|-----------|-------|----------|------------|------------------|
| | | Depth (Ft. BTOR) | Diameter (Inches) | | | | | |
| 1 | Outlet | 9.2 | 42 inch | southwest | round | concrete | | |
| 2 | Inlet | 7.5 | 24 inch | northeast | round | PVC | | |
| 3 | Inlet | 5.5 | 24 inch | east | round | PVC | | Sample this flow |
| 4 | Inlet | | | | | | | |
| 5 | Inlet | | | | | | | |
| 6 | Inlet | | | | | | | |

SAMPLE RECORD

Date: 9/10/2015 Volume: 3x40ml/1x500ml/1x1L
Time: 1000 Analysis: VOC/Metals/pH&TSS
Crew: DJO/KPL Chain of Custody #: 48143
Method: Dipper on pole Sample Type: water
Sample ID: SW-18036-091015-005
pH: 8.11 Water Level Meter No.: ~~827~~ 7182
Conductivity: - Multimeter No.: 8272
Temperature: 19.9
Turbidity: ~ Flow method: Bucket and stopwatch

Comments: Cascades into MM, Clear, sl. yellow color, no sediment

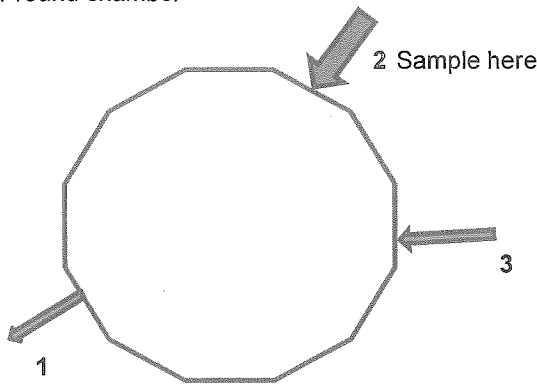
Signature: [Handwritten Signature]

BUFFALO AIRPORT
STORM SEWER SAMPLING DATA

Manhole/Catchbasin ID: 2B
Manhole in grass closest to overhead Sign over airport access road

| | | | |
|----------------|--------------------|--------------------|---|
| Date: | 9/10/2015 | Job #: | 18036-2014 |
| Crew: | DJO/KPL | Rim Elevation: | |
| Weather: | 70°F Mostly Cloudy | Water Present?: | <input checked="" type="radio"/> Yes <input type="radio"/> No |
| Water depth: | 7.22' Ft. BTOR | Flow observed?: | Yes <input type="radio"/> <input checked="" type="radio"/> No |
| Manhole depth: | 9.5 Ft. BTOR | Sediment present?: | Yes <input type="radio"/> <input checked="" type="radio"/> No |

Measure depths from top of frame.
Round cover over round chamber



Backed up into inlet pipe - use dipper into inlet pipe.

| Number on Figure | Inlet/Outlet | Invert Depth (Ft. BTOR) | Diameter (Inches) | Direction | Shape | Material | Flow noted | Comments |
|------------------|--------------|-------------------------|-------------------|-----------|-------|----------|------------|------------------|
| 1 | Outlet | 9.2 | 42 inch | southwest | round | concrete | | |
| 2 | Inlet | 7.5 | 24 inch | northeast | round | PVC | | Sample this flow |
| 3 | Inlet | 5.5 | 24 inch | east | round | PVC | | |
| 4 | Inlet | | | | | | | |
| 5 | Inlet | | | | | | | |
| 6 | Inlet | | | | | | | |

SAMPLE RECORD

| | | | |
|---------------|---------------------|------------------------|----------------------|
| Date: | 9/10/2015 | Volume: | 3x40ml/1x500ml/1x1L |
| Time: | 1010 | Analysis: | VOC/Metals/pH&TSS |
| Crew: | DJO/KPL | Chain of Custody #: | 48143 |
| Method: | Dipper on pole | Sample Type: | water |
| Sample ID: | SW-18036-091015-006 | Water Level Meter No.: | 8272 ↑ |
| pH: | 11.32 | Multimeter No.: | 7182 ↓ |
| Conductivity: | ~ | Flow method: | Bucket and stopwatch |
| Temperature: | 20.8°C | | |
| Turbidity: | ~ | | |

Comments: Clear, colorless
Signature: [Handwritten Signature]

BUFFALO AIRPORT
STORM SEWER SAMPLING DATA

Dup # 004

Manhole/Catchbasin ID: 2C

CAUTION: on edge of roadway - traffic control needed (cones or spotter)

Date: 9/10/2015 Job #: 18036-2014

Crew: DJO/KPL Rim Elevation: _____

Weather: 70° Mostly Cloudy Water Present?: Yes No

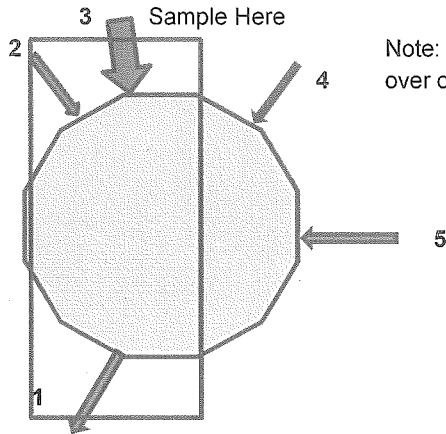
Water depth: 5.35 Ft. BTOR Flow observed?: Yes No

Manhole depth: 5.85 Ft. BTOR Sediment present?: Yes No

Slight

Measure depths from top of frame.
Indicate inlets and outlet using arrows. Number clockwise from outlet.

3/4" bolts



Note: Rectangular catchbasin grate over circular chamber

| Number on Figure | Inlet/Outlet | Invert Depth (Ft. BTOR) | Diameter (Inches) | Direction | Shape | Material | Flow noted | Comments |
|------------------|--------------|-------------------------|-------------------|-----------|-------|----------|------------|--------------------------|
| 1 | Outlet | 5.4 | 42 inch | South | round | PVC | | |
| 2 | Inlet | 2.5 | 4 inch | Northwest | round | plastic | | corrugated underdrain |
| 3 | Inlet | 5.6 | 24 inch | North | round | PVC | | Sample this flow |
| 4 | Inlet | 2.5 | 4 inch | Northeast | round | plastic | | corrugated underdrain |
| 5 | Inlet | | 18 inch | east | | | | not visible from surface |
| 6 | Inlet | | | | | | | |

SAMPLE RECORD

Date: 9/10/2015 Volume: 3x40ml/1x500ml/1x1L

Time: 0915 Analysis: VOC/Metals/pH&TSS

Crew: DJO/KPL Chain of Custody #: 48143

Method: Bailer into inlet pipe Sample Type: water

Sample ID: SW-18036-091015-003+004

pH: 11.50 Water Level Meter No.: 7182

Conductivity: — Multimeter No.: 8272

Temperature: 20.9

Turbidity: — Flow method: Mannings - distance over time

Comments: Clear, colorless, trace large black sediment - Flakes

Signature: [Handwritten Signature]

BUFFALO AIRPORT
STORM SEWER SAMPLING DATA

Manhole/Catchbasin ID: 2D

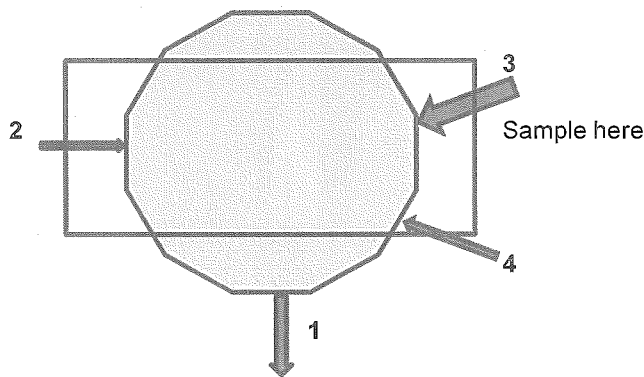
Date: 9/10/2015 Job #: 18036-2014
 Crew: DJO/KPL Rim Elevation: _____
 Weather: 74° Partly Cloudy Water Present?: Yes No
 Water depth: ~~6.0~~ Ft. BTOR 4.11' Flow observed?: Yes No
 Manhole depth: 5.1 Ft. BTOR Sediment present?: Yes No

Measure depths from top of frame.

Note: Rectangular catchbasin grate over circular chamber

Note - north side of CB grate is about 0.1 foot higher in elevation than the south side

fine sediment on bottom of man



| Number on Figure | Inlet/Outlet | Invert Depth (Ft. BTOR) | Diameter (Inches) | Direction | Shape | Material | Flow noted | Comments |
|------------------|--------------|-------------------------|-------------------|-----------|-------|----------|------------|-----------------------|
| 1 | Outlet | 4.3 | 18 inch | South | round | PVC | | |
| 2 | Inlet | 3.0 | 4 inch | West | round | plastic | | corrugated underdrain |
| 3 | Inlet | 4.4 | 18 inch | East | round | PVC | | Sample this flow |
| 4 | Inlet | 3.0 | 4 inch | Southeast | round | plastic | | corrugated underdrain |
| 5 | Inlet | | | | | | | |
| 6 | Inlet | | | | | | | |

SAMPLE RECORD

Date: 9/10/2015 Volume: 3x40ml/1x500ml/1x1L
 Time: 1050 Analysis: VOC/Metals/pH&TSS
 Crew: DJO/KPL Chain of Custody #: _____
 Method: 1' Bailey from inlet Sample Type: water
 Sample ID: SW-18036-091015-008
 pH: 8.15 Water Level Meter No.: 7182
 Conductivity: - Multimeter No.: 8272
 Temperature: 21.20 C
 Turbidity: - Flow method: Mannings - distance over time

Comments: Clear, colorless, trace sediments

Signature: _____

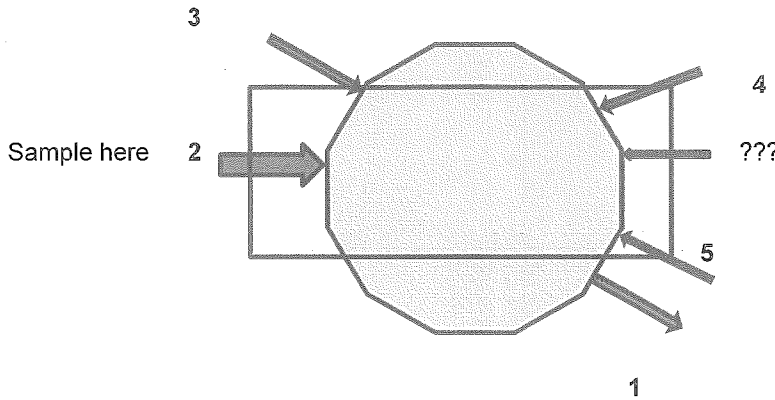
BUFFALO AIRPORT
STORM SEWER SAMPLING DATA

Manhole/Catchbasin ID: 3A
CAUTION: on edge of roadway - traffic control needed (cones or spotter)

| | | | |
|----------------|-------------------|--------------------|---|
| Date: | 9/10/2015 | Job #: | 18036-2014 |
| Crew: | DJO/KPL | Rim Elevation: | |
| Weather: | 70° mostly cloudy | Water Present?: | <input checked="" type="checkbox"/> Yes <input type="checkbox"/> No |
| Water depth: | 6.56 Ft. BTOR | Flow observed?: | <input checked="" type="checkbox"/> Yes <input type="checkbox"/> No |
| Manhole depth: | 8.9 Ft. BTOR | Sediment present?: | <input checked="" type="checkbox"/> Yes <input type="checkbox"/> No |

Measure depths from top of frame.

Note: Rectangular catchbasin grate over circular chamber



| Number on Figure | Inlet/Outlet | Invert Depth (Ft. BTOR) | Diameter (Inches) | Direction | Shape | Material | Flow noted | Comments |
|------------------|--------------|-------------------------|-------------------|-----------|-------|----------|------------|-----------------------|
| 1 | Outlet | 6.7 | 42 inch | southeast | round | PVC | | |
| 2 | Inlet | 6.6 | 42 inch | west | round | PVC | | Sample this flow |
| 3 | Inlet | | 4 inch | northwest | round | plastic | | corrugated underdrain |
| 4 | Inlet | | 4 inch | northeast | round | plastic | | corrugated underdrain |
| 5 | Inlet | | 4 inch | southeast | round | plastic | | corrugated underdrain |
| ??? | Inlet | | 4 inch | east ??? | | | | corrugated underdrain |

SAMPLE RECORD

| | | | |
|---------------|------------------------|------------------------|----------------------|
| Date: | 9/10/2015 | Volume: | 3x40ml/1x500ml/1x1L |
| Time: | 1030 | Analysis: | VOC/Metals/pH&TSS |
| Crew: | DJO/KPL | Chain of Custody #: | 48143 |
| Method: | Bailer into inlet pipe | Sample Type: | water |
| Sample ID: | SW-18036-091015-007 | Water Level Meter No.: | 8182 |
| pH: | 9.48 | Multimeter No.: | 8272 |
| Conductivity: | - | Flow method: | Bucket and stopwatch |
| Temperature: | 21.2 | | |
| Turbidity: | - | | |

Comments: Clear, colorless, surcharged to outlet.

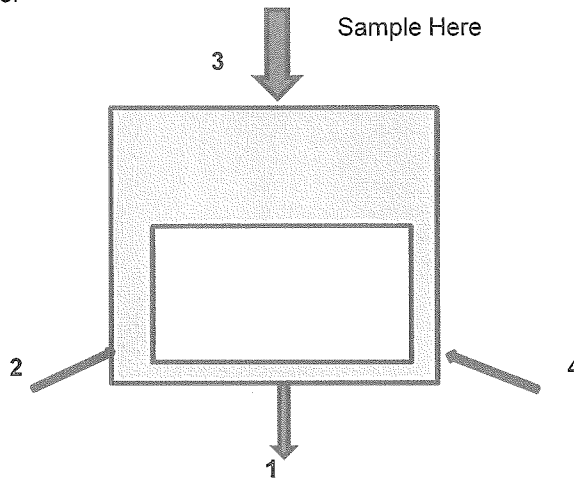
Signature: [Handwritten Signature]

BUFFALO AIRPORT
STORM SEWER SAMPLING DATA
CAUTION: on edge of roadway - traffic control needed (cones or spotter)
Manhole/Catchbasin ID: 3B

Date: 9/10/2015 Job #: 18036-2014
 Crew: DJO/KPL Rim Elevation: _____
 Weather: 75° pHy Cloudy Water Present?: Yes No
 Water depth: 4.70' Ft. BTOR Flow observed?: Yes No
 Manhole depth: 5.5 Ft. BTOR Sediment present?: Yes No

Measure depths from top of frame.

Rectangular catch basin over rectangular chamber



| Number on Figure | Inlet/Outlet | Invert | | Direction | Shape | Material | Flow noted | Comments |
|------------------|--------------|------------------|-------------------|-----------|-------|----------|------------|-------------|
| | | Depth (Ft. BTOR) | Diameter (Inches) | | | | | |
| 1 | Outlet | 4.7 | 24 | South | round | PVC | | |
| 2 | Inlet | 2.5 | 6 | West | round | plastic | | Underdrain |
| 3 | Inlet | 4.25 | 24 | North | round | PVC | | Sample Here |
| 4 | Inlet | 2.5 | 6 | East | round | plastic | | Underdrain |
| 5 | Inlet | | | | | | | |
| 6 | Inlet | | | | | | | |

SAMPLE RECORD

Date: 9/10/2015 Volume: 3x40ml/1x500ml/1x1L
 Time: 1215 Analysis: VOC/Metals/pH&TSS
 Crew: DJO/KPL Chain of Custody #: 48143
 Method: Bailer Sample Type: water
 Sample ID: SW-18036-181015-010
 pH: 7.91 Water Level Meter No.: 7182
 Conductivity: - Multimeter No.: 8272
 Temperature: 20.7°C
 Turbidity: - Flow method: Mannings - distance over time

Comments: Some sediment in sample
 Signature: [Handwritten Signature]

BUFFALO AIRPORT
STORM SEWER SAMPLING DATA

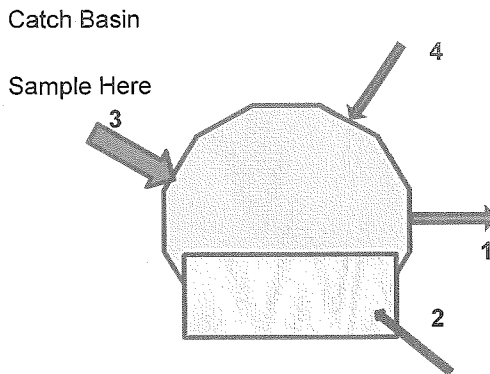
Manhole/Catchbasin ID: 3C
CAUTION: on edge of exit roadway - traffic control needed (cones or spotter)

| | | | |
|----------------|-----------------------|--------------------|-------------------|
| Date: | <u>9/10/2015</u> | Job #: | <u>18036-2014</u> |
| Crew: | <u>DJO/KPL</u> | Rim Elevation: | |
| Weather: | <u>75° PHy Cloudy</u> | Water Present?: | <u>Yes</u> No |
| Water depth: | <u>5.87</u> Ft. BTOR | Flow observed?: | Yes <u>No</u> |
| Manhole depth: | <u>6.55</u> Ft. BTOR | Sediment present?: | <u>Yes</u> No |

Measure depths from top of frame.

Catch Basin

Rectangular catch basin over circular chamber



Number on

| Figure | Inlet/Outlet | Depth | Diameter | Direction | Shape | Material | Flow noted | Comments |
|--------|--------------|-------|----------|-----------|-------|----------|------------|--------------------------|
| 1 | Outlet | 5.83 | 24 | east | round | PVC | | |
| 2 | Inlet | 2.5 | 6 | southeast | round | plastic | | Underdrain |
| 3 | Inlet | 5.83 | 24 | west | round | PVC | | Sample Here |
| 4 | Inlet | ??? | 12 | northeast | | | | not visible from surface |
| 5 | Inlet | | | | | | | |
| 6 | Inlet | | | | | | | |

SAMPLE RECORD

Date: 9/10/2015
Time: 1:30
Crew: DJO/KPL
Method: Bailer
Sample ID: SW-18036-091015-009
pH: 7.92
Conductivity: —
Temperature: 20.9
Turbidity: —

Volume: 3x40ml/1x500ml/1x1L
Analysis: VOC/Metals/pH&TSS
Chain of Custody #: 48143
Sample Type: water

Water Level Meter No.: 7182
Multimeter No.: 8272

Flow method: Mannings - distance over time

Comments: Cloudy - dark sediment

Signature: [Handwritten Signature]

MS/MSD
9x40ml VOC
3x1L TSS
1x1L pH
3x250ml Metals

BUFFALO AIRPORT
STORM SEWER SAMPLING DATA SHEET

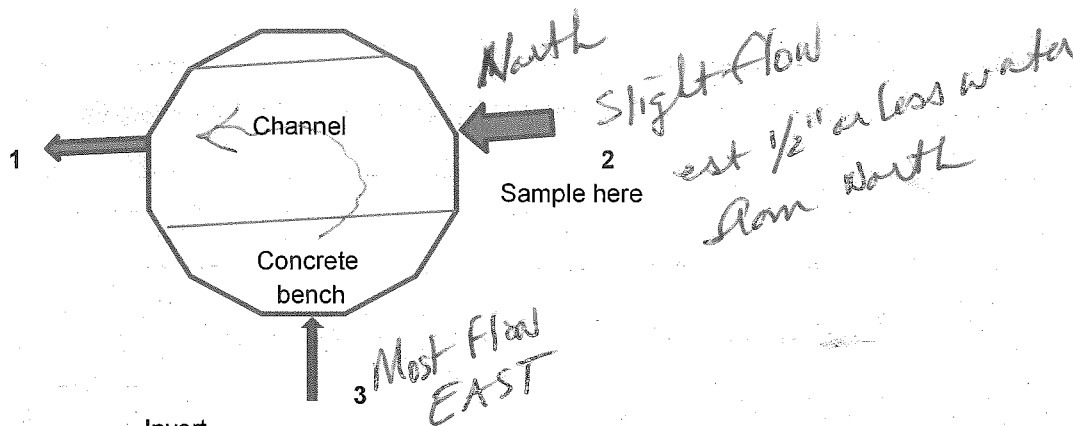
BUFFALO AIRPORT
STORM SEWER SAMPLING DATA

Manhole/Catchbasin ID: 1A
In sidewalk south side of Genesee Street near 4499 Genesee.

| | | | |
|----------------|----------------|--------------------|--|
| Date: | 12/10/2015 | Job #: | 18036 - 2014 |
| Crew: | KPL | Rim Elevation: | |
| Weather: | Overcast, 52° | Water Present?: | <input checked="" type="checkbox"/> Yes No |
| Water depth: | 12.96 Ft. BTOR | Flow observed?: | <input checked="" type="checkbox"/> Yes No |
| Manhole depth: | 13.0 Ft. BTOR | Sediment present?: | <input checked="" type="checkbox"/> Yes No <i>Slight</i> |

Measure depths from top of frame.

On sidewalk south side of Genesee Street



| Number on Figure | Inlet/Outlet | Invert Depth (Ft. BTOR) | Diameter (Inches) | Direction | Shape | Material | Flow noted | Comments |
|------------------|--------------|-------------------------|-------------------|-----------|-------|----------|------------|------------------|
| 1 | Outlet | 13.25 | 42 inch | South | Round | | | |
| 2 | Inlet | 13.0 | 42 inch | North | Round | | | Sample this flow |
| 3 | Inlet | 9.0 | 24 inch | East | Round | | | |
| 4 | Inlet | | | | | | | |
| 5 | Inlet | | | | | | | |
| 6 | Inlet | | | | | | | |

SAMPLE RECORD

Date: 12/10/2015
 Time: 1300
 Crew: KPL
 Method:
 Sample ID: SW-18036-121015-13
 pH: 7.81
 Conductivity:
 Temperature: 11.2°
 Turbidity: Slight

Volume: 3x40ml/1x500ml/1x1L
 Analysis: VOC/Metals/pH&TSS
 Chain of Custody #:
 Sample Type: water

Water Level Meter No.: *Tape Measure + chalk*
 Multimeter No.: 8272

Flow method: Mannings - distance over time

Comments: *Mostly clear water, frag sediment*

Signature: *[Handwritten Signature]*

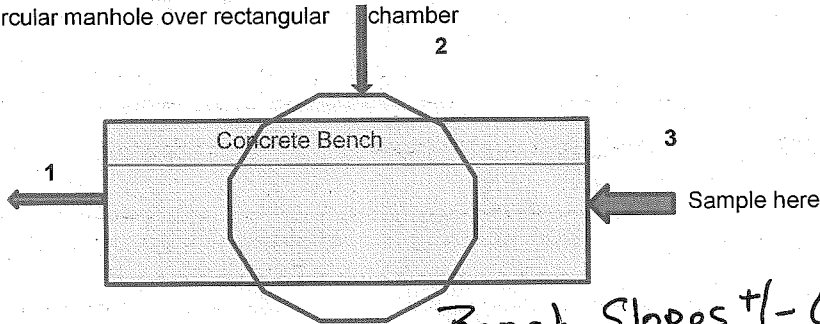
BUFFALO AIRPORT
STORM SEWER SAMPLING DATA

Manhole/Catchbasin ID: 1B

| | | | |
|----------------|-------------------|--------------------|-------------|
| Date: | 12/10/2015 | Job #: | 18036 -2014 |
| Crew: | KPL | Rim Elevation: | |
| Weather: | Mostly Cloudy 45° | Water Present?: | Yes No |
| Water depth: | 6.75 Ft. BTOR | Flow observed?: | Yes No |
| Manhole depth: | 6.8 Ft. BTOR | Sediment present?: | Yes No |

< 1/2" in pipe

Measure depths from top of frame.
Indicate inlets and outlet using arrows. Number clockwise from outlet.
Note: Circular manhole over rectangular chamber



Bench Slopes +/- 6" from #3 toward #1

| Number on Figure | Inlet/Outlet | Invert Depth (Ft. BTOR) | Diameter (Inches) | Direction | Shape | Material | Flow noted | Comments |
|------------------|--------------|-------------------------|-------------------|-----------|-------|----------|------------|------------------|
| 1 | Outlet | 7.0 | 42 inch | West | Round | Plastic | | |
| 2 | Inlet | 5.25 | 18 inch | North | Round | PVC | | |
| 3 | Inlet | 6.7 | 42 inch | East | Round | Plastic | | Sample this flow |
| 4 | Inlet | | | | | | | |
| 5 | Inlet | | | | | | | |
| 6 | Inlet | | | | | | | |

SAMPLE RECORD

Date: 12/10/2015
 Time: 0800
 Crew: KPL
 Method: Bailers
 Sample ID: SW-18036-121015-01
 pH: 8.09
 Conductivity: —
 Temperature: — 9.4°C
 Turbidity: Clear

Volume: 3x40ml/1x500ml/1x1L
 Analysis: VOC/Metals/pH&TSS
 Chain of Custody #: 48769
 Sample Type: water

Water Level Meter No.: 827 Tape Measure & chalk
 Multimeter No.: 8272

Flow method: Mannings - distance over time

Comments: Good flow

Signature: *[Handwritten Signature]*

BUFFALO AIRPORT
STORM SEWER SAMPLING DATA

Manhole/Catchbasin ID: 1C
Edge of Rip Rap to West of blast fence

Date: 12/10/2015 Job #: 18036-2014

Crew: KPL Rim Elevation: _____

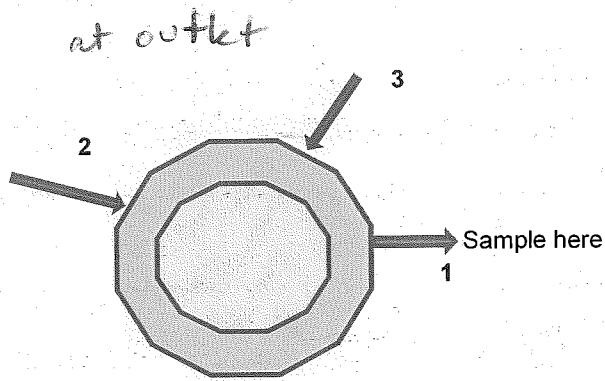
Weather: Sun 45° Water Present?: Yes No

Water depth: 7.9' Ft. BTOR Flow observed?: Yes No

Manhole depth: 8.45 Ft. BTOR Sediment present?: Yes No

7'10 3/8"

Measure depths from top of frame.
Round catch basin over round manhole



Number on Figure

| Number on Figure | Inlet/Outlet | Depth | Diameter | Direction | Shape | Material | Flow noted | Comments |
|------------------|--------------|-------|----------|-----------|-------|----------|------------|--------------------------|
| 1 | Inlet/Outlet | | | | | | | |
| 2 | Outlet | 7.9 | 36 | east | Round | PVC | | Sample this flow |
| 3 | Inlet | 8.33 | 36 | west | Round | PVC | | |
| 4 | Inlet | | 12 | northeast | | | | not visible from surface |
| 5 | Inlet | | | | | | | |
| 6 | Inlet | | | | | | | |
| | Inlet | | | | | | | |

SAMPLE RECORD

Date: 12/10/2015 Volume: 3x40ml/1x500ml/1x1L
 Time: 0840 Analysis: VOC/Metals/pH&TSS
 Crew: KPL Chain of Custody #: 48770
 Method: bailer Sample Type: water
 Sample ID: SW-18036-121015-02
 pH: 8.24 Water Level Meter No.: Tapemeasure
 Conductivity: _____ Multimeter No.: 8272
 Temperature: 10.1°
 Turbidity: Clear Flow method: Mannings - distance over time

Comments: no flow - water at outlet

Signature: [Handwritten Signature]

BUFFALO AIRPORT SITE
STORMWATER SEWER SAMPLING FIELD DATA SHEETS

BUFFALO AIRPORT
STORM SEWER SAMPLING DATA

EAST

Manhole/Catchbasin ID: 2A
Manhole in grass closest to overhead Sign over airport access road

Date: 12/10/2015 Job #: 18036-2014

Crew: KPL Rim Elevation: _____

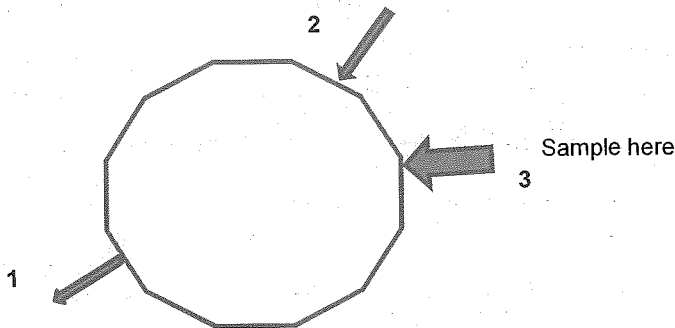
Weather: Partly cloudy 83-48 Water Present?: Yes No

Water depth: 7.13 Ft. BTOR Flow observed?: Yes No

Manhole depth: 9.5 Ft. BTOR Sediment present?: Yes No

85 1/2"

Measure depths from top of frame.
Round cover over round chamber



| Number on Figure | Inlet/Outlet | Invert Depth (Ft. BTOR) | Diameter (Inches) | Direction | Shape | Material | Flow noted | Comments |
|------------------|--------------|-------------------------|-------------------|-----------|-------|----------|------------|------------------|
| 1 | Outlet | 9.2 | 42 inch | southwest | round | concrete | | |
| 2 | Inlet | 7.5 | 24 inch | northeast | round | PVC | | |
| 3 | Inlet | 5.5 | 24 inch | east | round | PVC | | Sample this flow |
| 4 | Inlet | | | | | | | |
| 5 | Inlet | | | | | | | |
| 6 | Inlet | | | | | | | |

SAMPLE RECORD

Date: 12/10/2015 Volume: 3x40ml/1x500ml/1x1L

Time: 0915 Analysis: VOC/Metals/pH&TSS

Crew: KPL Chain of Custody #: _____

Method: Dipper on pole under pipe Sample Type: water

Sample ID: SW-18036-121015-03

pH: 8.26 Water Level Meter No.: Tape Measure

Conductivity: _____ Multimeter No.: 8272

Temperature: 11.0

Turbidity: Clear Flow method: Bucket and stopwatch

Comments: Clear Flow - < 1/4" in pipe

Signature: [Handwritten Signature]

BUFFALO AIRPORT
STORM SEWER SAMPLING DATA

NORTH

Manhole/Catchbasin ID: 2B
Manhole in grass closest to overhead Sign over airport access road

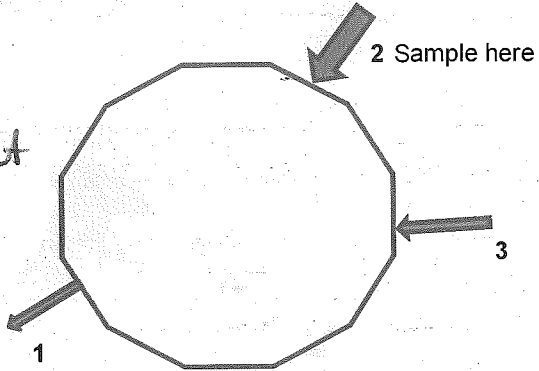
Date: 12/10/2015 Job #: 18036-2014
Crew: KPL Rim Elevation: _____
Weather: Mostly/Partly cldy 48° Water Present?: Yes No
Water depth: 7.13 Ft. BTOR Flow observed?: Yes No unknown
Manhole depth: 9.5 Ft. BTOR Sediment present?: Yes No

85 1/2"
- surcharged

Measure depths from top of frame.
Round cover over round chamber

Inlet surcharged

Large outlet
> 1/2 full
Slow movement
out



| Number on Figure | Inlet/Outlet | Invert Depth (Ft. BTOR) | Diameter (Inches) | Direction | Shape | Material | Flow noted | Comments |
|------------------|--------------|-------------------------|-------------------|-----------|-------|----------|------------|------------------|
| 1 | Outlet | 9.2 | 42 inch | southwest | round | concrete | | |
| 2 | Inlet | 7.5 | 24 inch | northeast | round | PVC | | Sample this flow |
| 3 | Inlet | 5.5 | 24 inch | east | round | PVC | | |
| 4 | Inlet | | | | | | | |
| 5 | Inlet | | | | | | | |
| 6 | Inlet | | | | | | | |

SAMPLE RECORD

Date: 12/10/2015
Time: 0930
Crew: KPL
Method: Dipper into pipe
Sample ID: SW-18036-121015-04
pH: 11.81
Conductivity: _____
Temperature: 11.2°
Turbidity: Clear

Volume: 3x40ml/1x500ml/1x1L
Analysis: VOC/Metals/pH&TSS
Chain of Custody #: _____
Sample Type: water
Water Level Meter No.: Tape Measure
Multimeter No.: 28272

Flow method: Bucket and stopwatch

Comments: pipe n 1/2 full - water in pipe, cannot determine flow

Signature: _____

**BUFFALO AIRPORT
STORM SEWER SAMPLING DATA**

Manhole/Catchbasin ID: 2C

CAUTION: on edge of roadway - traffic control needed (cones or spotter)

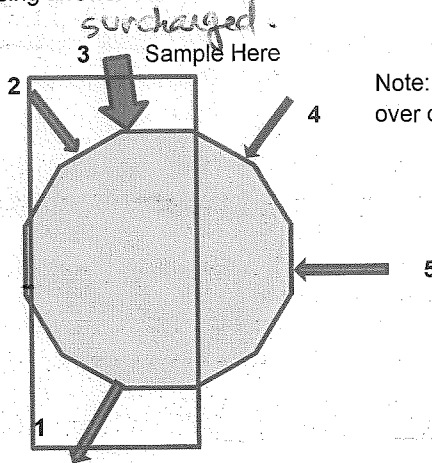
| | | | | |
|----------------|-------------------------|--------------------|-------------------|----|
| Date: | 12/10/2015 | Job #: | <u>18036-2014</u> | |
| Crew: | KPL | Rim Elevation: | | |
| Weather: | <u>Partly Clady 50°</u> | Water Present?: | <u>Yes</u> | No |
| Water depth: | <u>5.32</u> Ft. BTOR | Flow observed?: | <u>Yes ?</u> | No |
| Manhole depth: | 5.85 Ft. BTOR | Sediment present?: | Yes | No |

63 3/4"

Very little - if any

Measure depths from top of frame.

Indicate inlets and outlet using arrows. Number clockwise from outlet.



Note: Rectangular catchbasin grate over circular chamber

| Number on Figure | Inlet/Outlet | Invert Depth (Ft. BTOR) | Diameter (Inches) | Direction | Shape | Material | Flow noted | Comments |
|------------------|--------------|-------------------------|-------------------|-----------|-------|----------|------------|--------------------------|
| 1 | Outlet | 5.4 | 42 inch | South | round | PVC | | |
| 2 | Inlet | 2.5 | 4 inch | Northwest | round | plastic | | corrugated underdrain |
| 3 | Inlet | 5.6 | 24 inch | North | round | PVC | | Sample this flow |
| 4 | Inlet | 2.5 | 4 inch | Northeast | round | plastic | | corrugated underdrain |
| 5 | Inlet | | 18 inch | east | | | | not visible from surface |
| 6 | Inlet | | | | | | | |

SAMPLE RECORD

Date: 12/10/2015
 Time: 10:30
 Crew: KPL
 Method: 3' barrier
 Sample ID: SW-18036-121015-06+07
 pH: 11.81
 Conductivity: -
 Temperature: 11.8
 Turbidity: Clear

Volume: 3x40ml/1x500ml/1x1L
 Analysis: VOC/Metals/pH&TSS
 Chain of Custody #: _____
 Sample Type: water
 Water Level Meter No.: Tape measure
 Multimeter No.: 8272

Flow method: Mannings - distance over time

Comments: Very little if any flow - surcharged 3-4" into all inlet pipe, 3-4" in outlet pipe

Signature: [Signature]

BUFFALO AIRPORT
STORM SEWER SAMPLING DATA

Manhole/Catchbasin ID: 2D

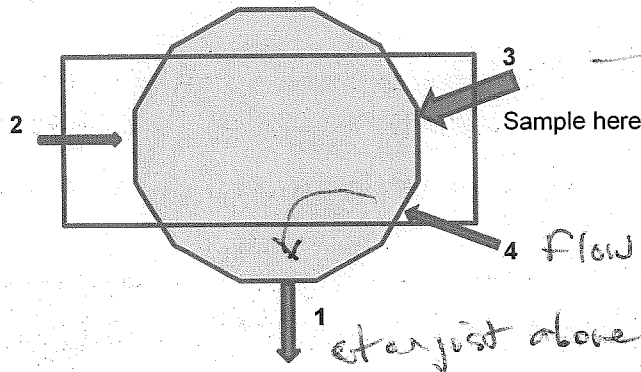
Date: 12/10/2015 Job #: 18036-2014
 Crew: KPL Rim Elevation: _____
 Weather: Mostly cloudy 50 Water Present?: (Yes) No
 Water depth: 4.2 Ft. BTOR Flow observed?: Yes (No) Not from #3
 Manhole depth: 5.1 Ft. BTOR Sediment present?: Yes No

49 1/2"

Measure depths from top of frame.

Note: Rectangular catchbasin grate over circular chamber

Note - north side of CB grate is about 0.1 foot higher in elevation than the south side



*Surcharged
3" into inlet
@ outlet - or just
above*

| Number on Figure | Inlet/Outlet | Invert Depth (Ft. BTOR) | Diameter (Inches) | Direction | Shape | Material | Flow noted | Comments |
|------------------|--------------|-------------------------|-------------------|-----------|-------|----------|------------|-----------------------|
| 1 | Outlet | 4.3 | 18 inch | South | round | PVC | | |
| 2 | Inlet | 3.0 | 4 inch | West | round | plastic | | corrugated underdrain |
| 3 | Inlet | 4.4 | 18 inch | East | round | PVC | | Sample this flow |
| 4 | Inlet | 3.0 | 4 inch | Southeast | round | plastic | | corrugated underdrain |
| 5 | Inlet | | | | | | | |
| 6 | Inlet | | | | | | | |

SAMPLE RECORD

Date: 12/10/2015
 Time: 1100
 Crew: KPL
 Method: BAILER
 Sample ID: SW-18036-121015-08
 pH: 7.75
 Conductivity: _____
 Temperature: 11.2
 Turbidity: Clear

Volume: 3x40ml/1x500ml/1x1L
 Analysis: VOC/Metals/pH&TSS
 Chain of Custody #: _____
 Sample Type: water

Water Level Meter No.: Tape Measure
 Multimeter No.: 8272

Flow method: Mannings - distance over time

Comments: Clear sediment on MH bottom & inlet #3 pipe. 3" water #3 pipe - & just above outlet #1

Signature: _____

BUFFALO AIRPORT
STORM SEWER SAMPLING DATA

Manhole/Catchbasin ID: 3A

CAUTION: on edge of roadway - traffic control needed (cones or spotter)

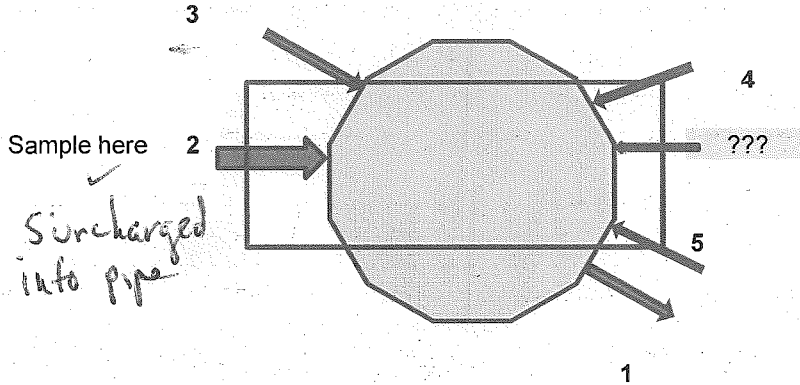
78'4"

Date: 12/10/2015 Job #: 15036-2014
 Crew: KPL Rim Elevation: _____
 Weather: 48° Water Present?: Yes No
 Water depth: 6.52 Ft. BTOR Flow observed?: Yes No
 Manhole depth: 8.9 Ft. BTOR Sediment present?: Yes No

*slight
little fine*

Measure depths from top of frame.

Note: Rectangular catchbasin grate over circular chamber



| Number on Figure | Inlet/Outlet | Invert Depth (Ft. BTOR) | Diameter (Inches) | Direction | Shape | Material | Flow noted | Comments |
|------------------|--------------|-------------------------|-------------------|-----------|-------|----------|------------|-----------------------|
| 1 | Outlet | 6.7 | 42 inch | southeast | round | PVC | | |
| 2 | Inlet | 6.6 | 42 inch | west | round | PVC | | Sample this flow |
| 3 | Inlet | | 4 inch | northwest | round | plastic | | corrugated underdrain |
| 4 | Inlet | | 4 inch | northeast | round | plastic | | corrugated underdrain |
| 5 | Inlet | | 4 inch | southeast | round | plastic | | corrugated underdrain |
| ??? | Inlet | | 4 inch | east ??? | | | | corrugated underdrain |

SAMPLE RECORD

Date: 12/10/2015
 Time: 1000
 Crew: KPL
 Method: 1' Bailer into inlet pipe
 Sample ID: SW-18036-121015-03
 pH: 7.68
 Conductivity: _____
 Temperature: 16.4
 Turbidity: 51. Cloudy

Volume: 3x40ml/1x500ml/1x1L
 Analysis: VOC/Metals/pH&TSS
 Chain of Custody #: _____
 Sample Type: water

Water Level Meter No.: Tape Measure
 Multimeter No.: 8272

Flow method: Bucket and stopwatch

Comments: _____

Signature: _____

BUFFALO AIRPORT
STORM SEWER SAMPLING DATA
CAUTION: on edge of roadway - traffic control needed (cones or spotter)

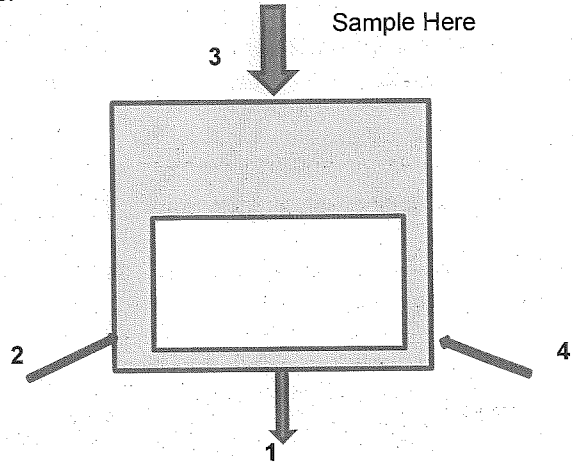
Manhole/Catchbasin ID: 3B

Date: 12/10/2015 Job #: 18036-2014
 Crew: KPL Rim Elevation: _____
 Weather: Cloudy 52° Water Present?: Yes No
 Water depth: 4.7' Ft. BTOR Flow observed?: Yes No
 Manhole depth: 5.5 Ft. BTOR Sediment present?: Yes No *Slight*

56 1/4"

Measure depths from top of frame.

Rectangular catch basin over rectangular chamber



| Number on Figure | Inlet/Outlet | Invert Depth (Ft. BTOR) | Diameter (Inches) | Direction | Shape | Material | Flow noted | Comments |
|------------------|--------------|-------------------------|-------------------|-----------|-------|----------|------------|-------------|
| 1 | Outlet | 4.7 | 24 | South | round | PVC | | |
| 2 | Inlet | 2.5 | 6 | West | round | plastic | | Underdrain |
| 3 | Inlet | 4.25 | 24 | North | round | PVC | | Sample Here |
| 4 | Inlet | 2.5 | 6 | East | round | plastic | | Underdrain |
| 5 | Inlet | | | | | | | |
| 6 | Inlet | | | | | | | |

SAMPLE RECORD

Date: 12/10/2015 Volume: 3x40ml/1x500ml/1x1L
 Time: 1215 Analysis: VOC/Metals/pH&TSS
 Crew: KPL Chain of Custody #: _____
 Method: Boiler - 1' Sample Type: water
 Sample ID: SW-18036-121015-12
 pH: 7.63 Water Level Meter No.: Tape Measure
 Conductivity: _____ Multimeter No.: 8272
 Temperature: 10.1°
 Turbidity: Slightly Flow method: Mannings - distance over time

Comments: Clear water w slight amount of sediment

Signature: [Handwritten Signature]

BUFFALO AIRPORT
STORM SEWER SAMPLING DATA

Manhole/Catchbasin ID: 3C
CAUTION: on edge of exit roadway - traffic control needed (cones or spotter)

Date: 12/10/2015 Job #: 18036-2014

Crew: KPL Rim Elevation: _____

Weather: Overcast 52° Water Present?: Yes No

Water depth: 5.83' Ft. BTOR Flow observed?: Yes No

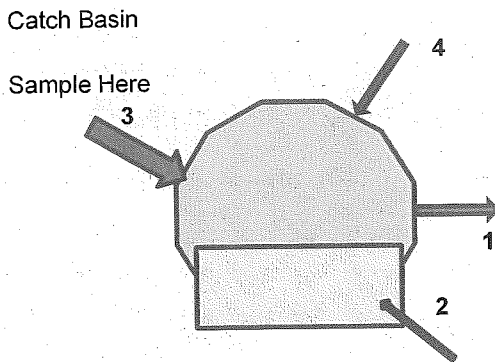
Manhole depth: 6.55 Ft. BTOR Sediment present?: Yes No

70"

Measure depths from top of frame.

Catch Basin

Rectangular catch basin over circular chamber



Water at outlet slightly into inlet #3

| Number on Figure | Inlet/Outlet | Depth | Diameter | Direction | Shape | Material | Flow noted | Comments |
|------------------|--------------|-------|----------|-----------|-------|----------|------------|--------------------------|
| 1 | Outlet | 5.83 | 24 | east | round | PVC | | |
| 2 | Inlet | 2.5 | 6 | southeast | round | plastic | | Underdrain |
| 3 | Inlet | 5.83 | 24 | west | round | PVC | | Sample Here |
| 4 | Inlet | ??? | 12 | northeast | | | | not visible from surface |
| 5 | Inlet | | | | | | | |
| 6 | Inlet | | | | | | | |

SAMPLE RECORD

Date: 12/10/2015 Volume: 3x40ml/1x500ml/1x1L

Time: 1145 Analysis: VOC/Metals/pH&TSS

Crew: KPL Chain of Custody #: _____

Method: BAILER-3' Sample Type: water

Sample ID: SW-18036-121015-09 Water Level Meter No. Tape Measure

pH: 7.54 (10) (11) MS/MSP Multimeter No.: 8272

Conductivity: -

Temperature: 10.2

Turbidity: Slightly Flow method: Mannings - distance over time

Comments: Five dark susp. sediments, water sl. cloudy

Signature: _____

BUFFALO AIRPORT
STORM SEWER SAMPLING DATA SHEET

BUFFALO AIRPORT
STORM SEWER SAMPLING DATA

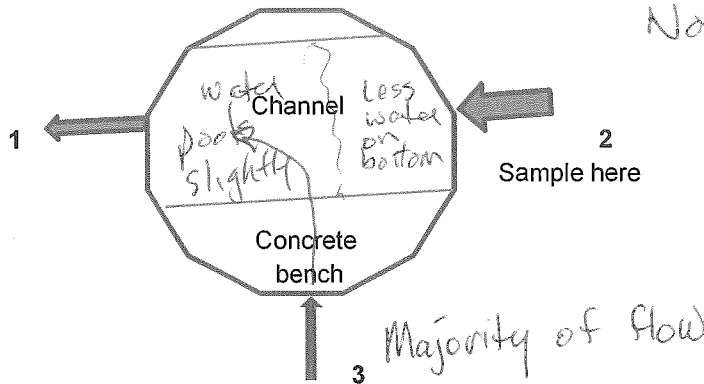
Manhole/Catchbasin ID: 1A
In sidewalk south side of Genesee Street near 4499 Genesee.

Date: 3/17/2016 Job #: 18036 -2014
Crew: KPL/DJO Rim Elevation: _____
Weather: Sun 50°F Windy Water Present?: Yes No
Depth to Water 12.85 Ft. BTOR Flow observed?: Yes No
Manhole depth: 13.0 Ft. BTOR Sediment present?: Yes No
Measure depths from top of frame.

0.15"

On sidewalk south side of Genesee Street

Majority from East
but also flow from
North



| Number on Figure | Inlet/Outlet | Invert Depth (Ft. BTOR) | Diameter (Inches) | Direction | Shape | Material | Flow noted | Comments |
|------------------|--------------|-------------------------|-------------------|-----------|-------|----------|------------|------------------|
| 1 | Outlet | 13.25 | 42 inch | South | Round | ? | yes | |
| 2 | Inlet | 13.0 | 42 inch | North | Round | ? | yes | Sample this flow |
| 3 | Inlet | 9.0 | 24 inch | East | Round | ? | yes | |
| 4 | Inlet | | | | | | | |
| 5 | Inlet | | | | | | | |
| 6 | Inlet | | | | | | | |

SAMPLE RECORD

Date: 3/17/2016 Volume: 3x40ml/1x500ml/1x1L
Time: 1145 Analysis: VOC/Metals/pH&TSS
Crew: KPL/DJO Chain of Custody #: 48146
Method: Bailer tied to ext pole Sample Type: water
Sample ID: SW-18036-031716-013
pH: 8.06 Water Level Meter No.: 07164
Conductivity: _____ Multimeter No.: 08271
Temperature: 9.0
Turbidity: Clear, colorless Flow method: Mannings - distance over time

Comments: Most water flow from North that we have observed.

Signature: [Handwritten Signature]

BUFFALO AIRPORT
STORM SEWER SAMPLING DATA

Manhole/Catchbasin ID: 1B

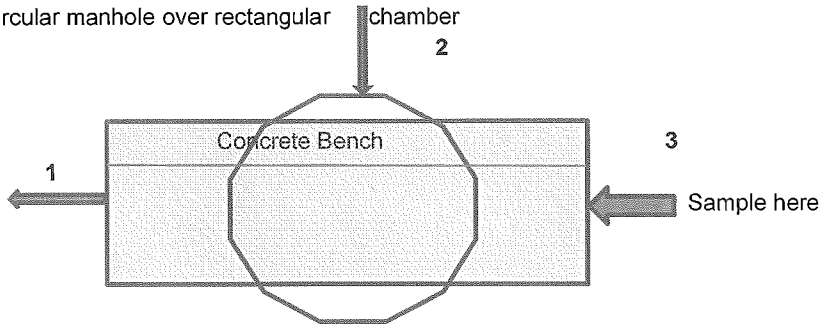
| | | | |
|----------------|----------------|--------------------|---------------|
| Date: | 3/17/2016 | Job #: | 18036 -2014 |
| Crew: | KPL/DJO | Rim Elevation: | |
| Weather: | Clear, 45°F | Water Present?: | <u>Yes</u> No |
| Depth to Water | 6.72' Ft. BTOR | Flow observed?: | <u>Yes</u> No |
| Manhole depth: | 6.8 Ft. BTOR | Sediment present?: | Yes <u>No</u> |

< 1/2" flows down pipe-

Measure depths from top of frame.

Indicate inlets and outlet using arrows. Number clockwise from outlet.

Note: Circular manhole over rectangular chamber



| Number on Figure | Inlet/Outlet | Invert | | Direction | Shape | Material | Flow noted | Comments |
|------------------|--------------|------------------|-------------------|-----------|-------|----------|------------|------------------|
| | | Depth (Ft. BTOR) | Diameter (Inches) | | | | | |
| 1 | Outlet | 7.0 | 42 inch | West | Round | Plastic | Yes | |
| 2 | Inlet | 5.25 | 18 inch | North | Round | PVC | Slight | |
| 3 | Inlet | 6.7 | 42 inch | East | Round | Plastic | Yes | Sample this flow |
| 4 | Inlet | | | | | | | |
| 5 | Inlet | | | | | | | |
| 6 | Inlet | | | | | | | |

SAMPLE RECORD

Date: 3/17/2016
 Time: 0745
 Crew: KPL/DJO
 Method: Dipper on pipe
 Sample ID: SW-18036-031716-001
 pH: 8.16
 Conductivity: -
 Temperature: 6.9°C
 Turbidity: -

Volume: 3x40ml/1x500ml/1x1L
 Analysis: VOC/Metals/pH&TSS
 Chain of Custody #: 48146
 Sample Type: water

Water Level Meter No.: 07164
 Multimeter No.: 08271

Flow method: Mannings - distance over time

Comments: Clear, colorless, good flow down chamber bottom.

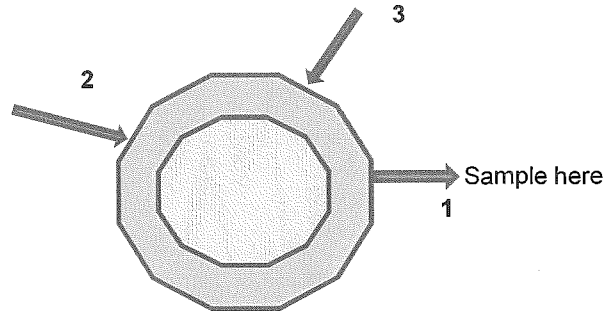
Signature: [Signature]

BUFFALO AIRPORT
STORM SEWER SAMPLING DATA

Manhole/Catchbasin ID: 1C
Edge of Rip Rap to West of blast fence

| | | | |
|----------------|---------------|--------------------|--------------------------------|
| Date: | 3/17/2016 | Job #: | 18036 -2014 |
| Crew: | KPL/DJO | Rim Elevation: | |
| Weather: | Clear 45° | Water Present?: | <u>Yes</u> No |
| Depth to Water | 7.9' Ft. BTOR | Flow observed?: | <u>Yes</u> No <i>Very slow</i> |
| Manhole depth: | 8.45 Ft. BTOR | Sediment present?: | <u>Yes</u> No |

Measure depths from top of frame.
Round catch basin over round manhole



Number on Figure

| Number on Figure | Inlet/Outlet | Depth | Diameter | Direction | Shape | Material | Flow noted | Comments |
|------------------|--------------|-------|----------|-----------|-------|----------|---------------|--------------------------|
| 1 | | | | | | | | |
| 2 | Outlet | 7.9 | 36 | east | Round | PVC | <i>Slight</i> | Sample this flow |
| 3 | Inlet | 8.33 | 36 | west | Round | PVC | <i>No</i> | |
| 4 | Inlet | | 12 | northeast | | | <i>?</i> | not visible from surface |
| 5 | Inlet | | | | | | | |
| 6 | Inlet | | | | | | | |
| | Inlet | | | | | | | |

SAMPLE RECORD

| | | | |
|---------------|---------------------|------------------------|-------------------------------|
| Date: | 3/17/2016 | Volume: | 3x40ml/1x500ml/1x1L |
| Time: | 0820 | Analysis: | VOC/Metals/pH&TSS |
| Crew: | KPL/DJO | Chain of Custody #: | 48146 |
| Method: | Dipper on pole | Sample Type: | water |
| Sample ID: | SW-18036-031716-002 | Water Level Meter No.: | 07164 |
| pH: | 8.19 | Multimeter No.: | 08271 |
| Conductivity: | - | Flow method: | Mannings - distance over time |
| Temperature: | 7.3°C | | |
| Turbidity: | - yes | | |

Comments: *Sediment in MH rises when sampling.*
Sediment in Sam-7 led

Signature: *[Handwritten Signature]*

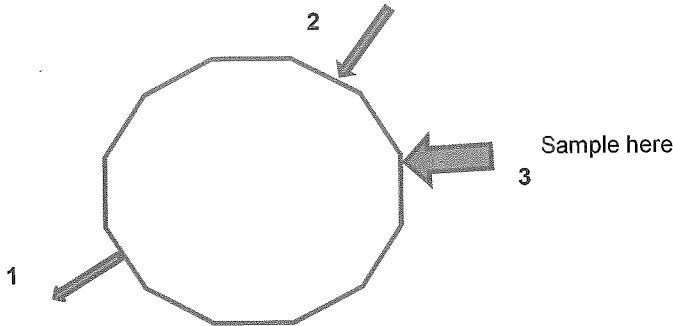
BUFFALO AIRPORT SITE
STORMWATER SEWER SAMPLING FIELD DATA SHEETS

BUFFALO AIRPORT
STORM SEWER SAMPLING DATA

Manhole/Catchbasin ID: 2A
Manhole in grass closest to overhead Sign over airport access road

| | | | |
|----------------------|------------------|----------------------|---|
| Date: | 3/17/2016 | Job #: | 18036 -2014 |
| Crew: | KPL/DJO | Rim Elevation: | |
| Weather: | clear, 50° Windy | Water Present?: | <input checked="" type="checkbox"/> Yes <input type="checkbox"/> No |
| Depth to Water: | 7.1' Ft. BTOR | Flow observed?: | <input checked="" type="checkbox"/> Yes <input type="checkbox"/> No |
| Manhole depth: | 9.5 Ft. BTOR | Sediment present?: | Yes <input checked="" type="checkbox"/> No |
| Outlet Surcharged?: | | Inlet 2 Surcharged?: | Yes <input checked="" type="checkbox"/> No |
| Inlet 2 Surcharged?: | | | Yes <input checked="" type="checkbox"/> No |

Measure depths from top of frame.
Round cover over round chamber



| Number on Figure | Inlet/Outlet | Invert Depth (Ft. BTOR) | Diameter (Inches) | Direction | Shape | Material | Flow noted | Comments |
|------------------|--------------|-------------------------|-------------------|-----------|-------|----------|------------|------------------|
| 1 | Outlet | 9.2 | 42 inch | southwest | round | concrete | yes | |
| 2 | Inlet | 7.5 | 24 inch | northeast | round | PVC | yes | |
| 3 | Inlet | 5.5 | 24 inch | east | round | PVC | yes | Sample this flow |
| 4 | Inlet | | | | | | | |
| 5 | Inlet | | | | | | | |
| 6 | Inlet | | | | | | | |

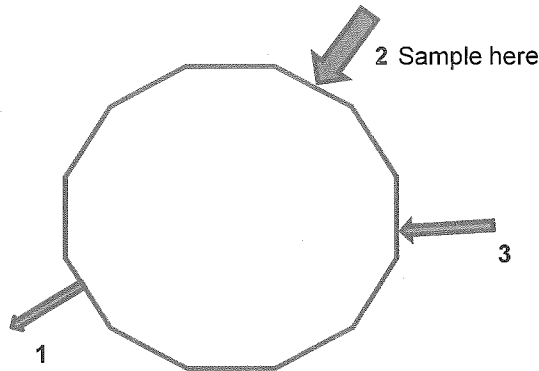
SAMPLE RECORD

| | | | |
|---------------|---------------------------------|------------------------|----------------------|
| Date: | 3/17/2016 | Volume: | 3x40ml/1x500ml/1x1L |
| Time: | 0845 | Analysis: | VOC/Metals/pH&TSS |
| Crew: | KPL/DJO | Chain of Custody #: | 48146 |
| Method: | Dipper on pole from flow | Sample Type: | water |
| Sample ID: | SW-18036-031716-003 | Water Level Meter No.: | 07164 |
| pH: | 8.38 | Multimeter No.: | 08271 |
| Conductivity: | - | Flow method: | Bucket and stopwatch |
| Temperature: | 7.6° | | |
| Turbidity: | clear | | |
| Comments: | Flow cascades into MH from pipe | | |
| Signature: | <i>[Handwritten Signature]</i> | | |

BUFFALO AIRPORT
STORM SEWER SAMPLING DATA

Manhole/Catchbasin ID: 2B
Manhole in grass closest to overhead Sign over airport access road

| | | | |
|-----------------------------------|-----------------|---------------------|--|
| Date: | 3/17/2016 | Job #: | 18036 -2014 |
| Crew: | KPL/DJO | Rim Elevation: | |
| Weather: | Clear 50° Windy | Water Present?: | <input checked="" type="checkbox"/> Yes No |
| Depth to Water | 7.1' Ft. BTOR | Flow observed?: | <input checked="" type="checkbox"/> Yes No |
| Manhole depth: | 9.5 Ft. BTOR | Sediment present?: | <input checked="" type="checkbox"/> Yes No |
| Measure depths from top of frame. | | Outlet Surcharged? | <input checked="" type="checkbox"/> Yes No |
| Round cover over round chamber | | Inlet 2 Surcharged? | <input checked="" type="checkbox"/> Yes No |



| Number on Figure | Inlet/Outlet | Invert Depth (Ft. BTOR) | Diameter (Inches) | Direction | Shape | Material | Flow noted | Comments |
|------------------|--------------|-------------------------|-------------------|-----------|-------|----------|------------|------------------|
| 1 | Outlet | 9.2 | 42 inch | southwest | round | concrete | yes | |
| 2 | Inlet | 7.5 | 24 inch | northeast | round | PVC | yes | Sample this flow |
| 3 | Inlet | 5.5 | 24 inch | east | round | PVC | yes | |
| 4 | Inlet | | | | | | | |
| 5 | Inlet | | | | | | | |
| 6 | Inlet | | | | | | | |

SAMPLE RECORD

| | | | |
|---------------|--------------------------|------------------------|----------------------|
| Date: | 3/17/2016 | Volume: | 3x40ml/1x500ml/1x1L |
| Time: | 0900 | Analysis: | VOC/Metals/pH&TSS |
| Crew: | KPL/DJO | Chain of Custody #: | 48146 |
| Method: | Dipper on pole into pipe | Sample Type: | water |
| Sample ID: | SW-18036-031716-001 | Water Level Meter No.: | 07164 |
| pH: | 11.77 | Multimeter No.: | 08271 |
| Conductivity: | | Flow method: | Bucket and stopwatch |
| Temperature: | 7.4 | | |
| Turbidity: | Sl. sediment | | |

Comments: Sample clean, little coarse sediment

Signature: [Handwritten Signature]

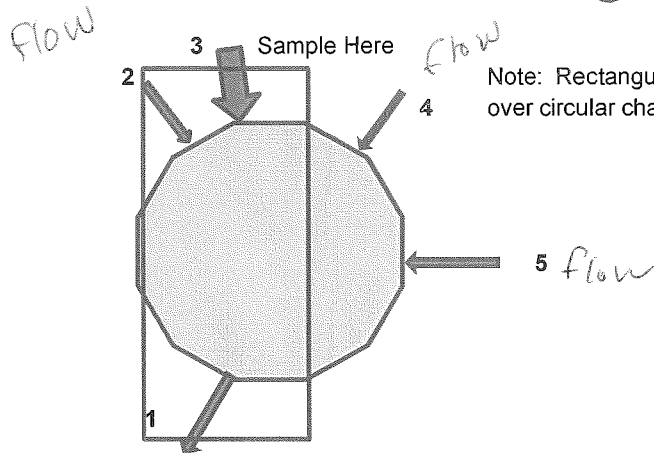
BUFFALO AIRPORT
STORM SEWER SAMPLING DATA

Sample on check
Uds?

Manhole/Catchbasin ID: 2C

CAUTION: on edge of roadway - traffic control needed (cones or spotter)

| | | | |
|-----------------------------------|-----------------|---------------------|---------------|
| Date: | 3/17/2016 | Job #: | 18036 -2014 |
| Crew: | KPL/DJO | Rim Elevation: | |
| Weather: | Clear 50° Windy | Water Present?: | <u>Yes</u> No |
| Depth to Water | 5.34 Ft. BTOR | Flow observed?: | <u>Yes</u> No |
| Manhole depth: | 5.85 Ft. BTOR | Sediment present?: | Yes No |
| Measure depths from top of frame. | | Outlet Surcharged? | <u>Yes</u> No |
| | | Inlet 3 Surcharged? | <u>Yes</u> No |



| Number on Figure | Inlet/Outlet | Invert Depth (Ft. BTOR) | Diameter (Inches) | Direction | Shape | Material | Flow noted | Comments |
|------------------|--------------|-------------------------|-------------------|-----------|-------|----------|------------|--------------------------|
| 1 | Outlet | 5.4 | 42 inch | South | round | PVC | Slight | |
| 2 | Inlet | 2.5 | 4 inch | Northwest | round | plastic | yes | corrugated underdrain |
| 3 | Inlet | 5.6 | 24 inch | North | round | PVC | slight | Sample this flow |
| 4 | Inlet | 2.5 | 4 inch | Northeast | round | plastic | yes | corrugated underdrain |
| 5 | Inlet | | 18 inch | east | | | yes | not visible from surface |
| 6 | Inlet | | | | | | | |

SAMPLE RECORD

| | | | |
|---------------|-----------------------------|------------------------|-------------------------------|
| Date: | 3/17/2016 | Volume: | 3x40ml/1x500ml/1x1L |
| Time: | 0945 | Analysis: | VOC/Metals/pH&TSS |
| Crew: | KPL/DJO | Chain of Custody #: | 48146 |
| Method: | Bailer into inlet pipe | Sample Type: | water |
| Sample ID: | SW-18036-031716-006,007,008 | Water Level Meter No.: | 07164 |
| pH: | 11.63 | Multimeter No.: | 08271 |
| Conductivity: | | Flow method: | Mannings - distance over time |
| Temperature: | 7.9 | | |
| Turbidity: | Clear/colorless | | |

Comments: MS/MSD Most flow from underdrains

Signature: [Handwritten Signature]

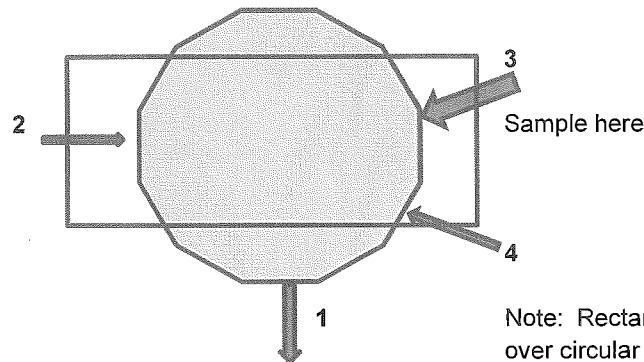
BUFFALO AIRPORT
STORM SEWER SAMPLING DATA

Manhole/Catchbasin ID: 2D

| | | | |
|----------------|----------------|---------------------|--|
| Date: | 3/17/2016 | Job #: | 18036 -2014 |
| Crew: | KPL/DJO | Rim Elevation: | |
| Weather: | Sun 50°F Windy | Water Present?: | <input checked="" type="checkbox"/> Yes No |
| Depth to Water | 4.13 Ft. BTOR | Flow observed?: | <input checked="" type="checkbox"/> Yes No |
| Manhole depth: | 5.1 Ft. BTOR | Sediment present?: | <input checked="" type="checkbox"/> Yes No |
| | | Outlet Surcharged? | <input checked="" type="checkbox"/> Yes No |
| | | Inlet 3 Surcharged? | <input checked="" type="checkbox"/> Yes No |

Measure depths from top of frame.

Note - north side of CB grate is about 0.1 foot higher in elevation than the south side



Note: Rectangular catchbasin grate over circular chamber

| Number on Figure | Inlet/Outlet | Invert Depth (Ft. BTOR) | Diameter (Inches) | Direction | Shape | Material | Flow noted | Comments |
|------------------|--------------|-------------------------|-------------------|-----------|-------|----------|------------|-----------------------|
| 1 | Outlet | 4.3 | 18 inch | South | round | PVC | Yes | |
| 2 | Inlet | 3.0 | 4 inch | West | round | plastic | Yes | corrugated underdrain |
| 3 | Inlet | 4.4 | 18 inch | East | round | PVC | Slight | Sample this flow |
| 4 | Inlet | 3.0 | 4 inch | Southeast | round | plastic | Yes | corrugated underdrain |
| 5 | Inlet | | | | | | | |
| 6 | Inlet | | | | | | | |

SAMPLE RECORD

| | | | |
|---------------|----------------------|------------------------|-------------------------------|
| Date: | 3/17/2016 | Volume: | 3x40ml/1x500ml/1x1L |
| Time: | 1015 | Analysis: | VOC/Metals/pH&TSS |
| Crew: | KPL/DJO | Chain of Custody #: | 48196 |
| Method: | Bailer in inlet pipe | Sample Type: | water |
| Sample ID: | SW-18036-031716-009 | Water Level Meter No.: | 17164 |
| pH: | 8.46 | Multimeter No.: | 8271 |
| Conductivity: | | Flow method: | Mannings - distance over time |
| Temperature: | 8.3 | | |
| Turbidity: | Very cloudy | | |

Comments: Alot of fine dark suspended sediment
#4 pH = 8.40

Signature: [Handwritten Signature]

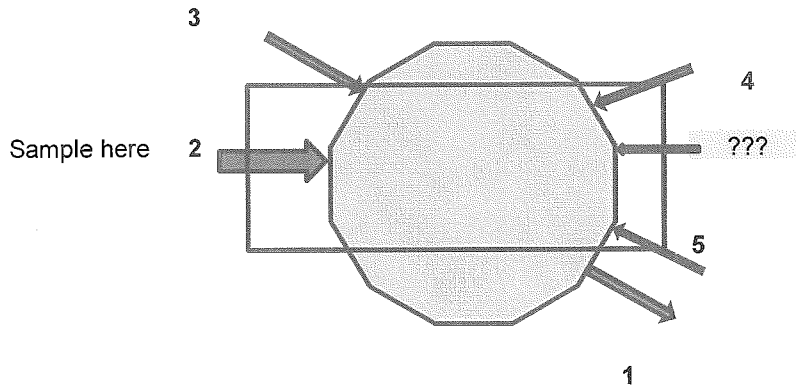
BUFFALO AIRPORT
STORM SEWER SAMPLING DATA

Manhole/Catchbasin ID: 3A
CAUTION: on edge of roadway - traffic control needed (cones or spotter)

| | | | |
|----------------|----------------------|--------------------|-----------------------------|
| Date: | 3/17/2016 | Job #: | 18036 -2014 |
| Crew: | KPL/DJO | Rim Elevation: | |
| Weather: | | Water Present?: | <u>Yes</u> No |
| Depth to Water | <u>6.56</u> Ft. BTOR | Flow observed?: | <u>Yes</u> No <u>Slight</u> |
| Manhole depth: | 8.9 Ft. BTOR | Sediment present?: | <u>Yes</u> No |

Measure depths from top of frame.

Note: Rectangular catchbasin grate over circular chamber



| Number on Figure | Inlet/Outlet | Invert Depth (Ft. BTOR) | Diameter (Inches) | Direction | Shape | Material | Flow noted | Comments |
|------------------|--------------|-------------------------|-------------------|-----------|-------|----------|---------------|-----------------------|
| 1 | Outlet | 6.7 | 42 inch | southeast | round | PVC | <u>Slight</u> | |
| 2 | Inlet | 6.6 | 42 inch | west | round | PVC | <u>Slight</u> | Sample this flow |
| 3 | Inlet | | 4 inch | northwest | round | plastic | <u>Slight</u> | corrugated underdrain |
| 4 | Inlet | | 4 inch | northeast | round | plastic | <u>No</u> | corrugated underdrain |
| 5 | Inlet | | 4 inch | southeast | round | plastic | <u>No</u> | corrugated underdrain |
| ??? | Inlet | | 4 inch | east ??? | | | <u>?</u> | corrugated underdrain |

SAMPLE RECORD

| | | | |
|---------------|---------------------|------------------------|-----------------------------|
| Date: | 3/17/2016 | Volume: | 3x40ml/1x500ml/1x1L |
| Time: | <u>0915</u> | Analysis: | VOC/Metals/pH&TSS |
| Crew: | KPL/DJO | Chain of Custody #: | <u>48146</u> |
| Method: | <u>3' Bailor</u> | Sample Type: | water |
| Sample ID: | SW-18036-031716-005 | Water Level Meter No.: | <u>07164</u> |
| pH: | <u>10.01</u> | Multimeter No.: | <u>08271</u> |
| Conductivity: | <u>-</u> | Flow method: | <u>Bucket and stopwatch</u> |
| Temperature: | <u>8.2</u> | | |
| Turbidity: | <u>sl. cloudy</u> | | |

Comments: Sed-fine in samples

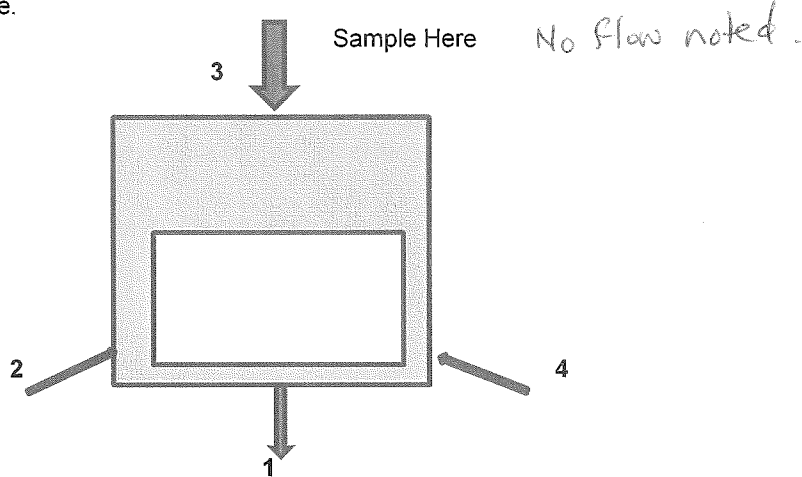
Signature: [Handwritten Signature]

BUFFALO AIRPORT
 STORM SEWER SAMPLING DATA
 CAUTION: on edge of roadway - traffic control needed (cones or spotter)
 Manhole/Catchbasin ID: 3B

| | | | |
|----------------|-----------------|--------------------|---|
| Date: | 3/17/2016 | Job #: | 18036 -2014 |
| Crew: | KPL/DJO | Rim Elevation: | |
| Weather: | Clear 50° Windy | Water Present?: | <input checked="" type="radio"/> Yes <input type="radio"/> No |
| Depth to Water | 4.71 Ft. BTOR | Flow observed?: | Yes <input type="radio"/> <input checked="" type="radio"/> No |
| Manhole depth: | 5.5 Ft. BTOR | Sediment present?: | Yes <input type="radio"/> <input checked="" type="radio"/> No |

Measure depths from top of frame.

Rectangular catch basin over rectangular chamber



| Number on Figure | Inlet/Outlet | Invert Depth (Ft. BTOR) | Diameter (Inches) | Direction | Shape | Material | Flow noted | Comments |
|------------------|--------------|-------------------------|-------------------|-----------|-------|----------|------------|-------------|
| 1 | Outlet | 4.7 | 24 | South | round | PVC | No | |
| 2 | Inlet | 2.5 | 6 | West | round | plastic | No | Underdrain |
| 3 | Inlet | 4.25 | 24 | North | round | PVC | No | Sample Here |
| 4 | Inlet | 2.5 | 6 | East | round | plastic | No | Underdrain |
| 5 | Inlet | | | | | | | |
| 6 | Inlet | | | | | | | |

SAMPLE RECORD

| | | | |
|---------------|---------------------|------------------------|-------------------------------|
| Date: | 3/17/2016 | Volume: | 3x40ml/1x500ml/1x1L |
| Time: | 1115 | Analysis: | VOC/Metals/pH&TSS |
| Crew: | KPL/DJO | Chain of Custody #: | 48196 |
| Method: | 1' Bailen | Sample Type: | water |
| Sample ID: | SW-18036-031716-012 | Water Level Meter No.: | 07164 |
| pH: | 9.05 | Multimeter No.: | 08271 |
| Conductivity: | | Flow method: | Mannings - distance over time |
| Temperature: | 8.0 | | |
| Turbidity: | Clear, sl. sediment | | |

Comments: Minimal sediment, water clear, colorless

Signature: KPL/DJO

BUFFALO AIRPORT
STORM SEWER SAMPLING DATA

Manhole/Catchbasin ID: 3C

CAUTION: on edge of exit roadway - traffic control needed (cones or spotter)

| | | | |
|----------------|------------------------|--------------------|--------------------|
| Date: | <u>3/17/2016</u> | Job #: | <u>18036 -2014</u> |
| Crew: | <u>KPL/DJO</u> | Rim Elevation: | |
| Weather: | <u>Sun 50°F Windy!</u> | Water Present?: | <u>Yes</u> No |
| Depth to Water | <u>5.83</u> Ft. BTOR | Flow observed?: | Yes <u>No</u> |
| Manhole depth: | <u>6.55</u> Ft. BTOR | Sediment present?: | <u>Yes</u> No |

Measure depths from top of frame.

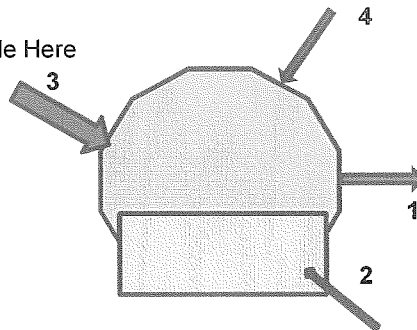
Water at inlet & outlet

Catch Basin

Catch Basin

Rectangular catch basin over circular chamber

Sample Here



Number on

| Figure | Inlet/Outlet | Depth | Diameter | Direction | Shape | Material | Flow noted | Comments |
|--------|--------------|-------|----------|-----------|-------|----------|------------|--------------------------|
| 1 | Outlet | 5.83 | 24 | east | round | PVC | <u>No</u> | |
| 2 | Inlet | 2.5 | 6 | southeast | round | plastic | <u>No</u> | Underdrain |
| 3 | Inlet | 5.83 | 24 | west | round | PVC | <u>No</u> | Sample Here |
| 4 | Inlet | ??? | 12 | northeast | | | <u>No</u> | not visible from surface |
| 5 | Inlet | | | | | | | |
| 6 | Inlet | | | | | | | |

SAMPLE RECORD

Date: 3/17/2016
 Time: 1100
 Crew: KPL/DJO
 Method:
 Sample ID: SW-18036-031716-010+011
 pH: 8.47
 Conductivity: -
 Temperature: 9.0
 Turbidity: Very Cloudy

Volume: 3x40ml/1x500ml/1x1L
 Analysis: VOC/Metals/pH&TSS
 Chain of Custody #: 48146
 Sample Type: water

Water Level Meter No.: 02164
 Multimeter No.: 08271

Flow method: Mannings - distance over time

Comments: Alot of fine dark sediment suspended in samples
Blind duplicate sample collected

Signature: [Handwritten Signature]

BUFFALO AIRPORT
STORM SEWER SAMPLING DATA SHEET

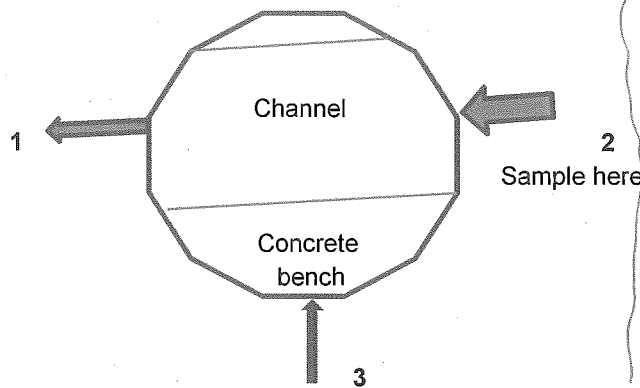
BUFFALO AIRPORT
STORM SEWER SAMPLING DATA

Manhole/Catchbasin ID: 1A
In sidewalk south side of Genesee Street near 4499 Genesee.

| | | | |
|----------------|-------------------|--------------------|---------------|
| Date: | 6/23/2016 | Job #: | 18036 |
| Crew: | KPL | Rim Elevation: | |
| Weather: | Partly Cloudy 78° | Water Present?: | <u>Yes</u> No |
| Depth to Water | Ft. BTOR | Flow observed?: | <u>Yes</u> No |
| Manhole depth: | 13.0 Ft. BTOR | Sediment present?: | <u>Yes</u> No |

Measure depths from top of frame.

On sidewalk south side of Genesee Street



| Number on Figure | Inlet/Outlet | Invert Depth (Ft. BTOR) | Diameter (Inches) | Direction | Shape | Material | Flow noted | Comments |
|------------------|--------------|-------------------------|-------------------|-----------|-------|----------|------------|------------------|
| 1 | Outlet | 13.25 | 42 inch | South | Round | | YES | |
| 2 | Inlet | 13.0 | 42 inch | North | Round | | YES | Sample this flow |
| 3 | Inlet | 9.0 | 24 inch | East | Round | | YES | Majority of flow |
| 4 | Inlet | | | | | | | |
| 5 | Inlet | | | | | | | |
| 6 | Inlet | | | | | | | |

SAMPLE RECORD

| | | | |
|---------------|---------------------|------------------------|-------------------------------|
| Date: | 6/23/2016 | Volume: | 3x40ml/1x500ml/1x250 ml/1x1L |
| Time: | 1315 | Analysis: | VOC/Metals/pH&TSS |
| Crew: | KPL | Chain of Custody #: | 55703 |
| Method: | 3' Bailer on pole | Sample Type: | water |
| Sample ID: | SW-18036-062316-011 | Water Level Meter No.: | 7181 |
| pH: | 7.82 | Multimeter No.: | 8271 |
| Conductivity: | - | Flow method: | Mannings - distance over time |
| Temperature: | 16.5 | | |
| Turbidity: | 51. Cloudy | | |

Comments: Fine to coarse sediments at end of pipe from North. Sample upstream of flow from East side.

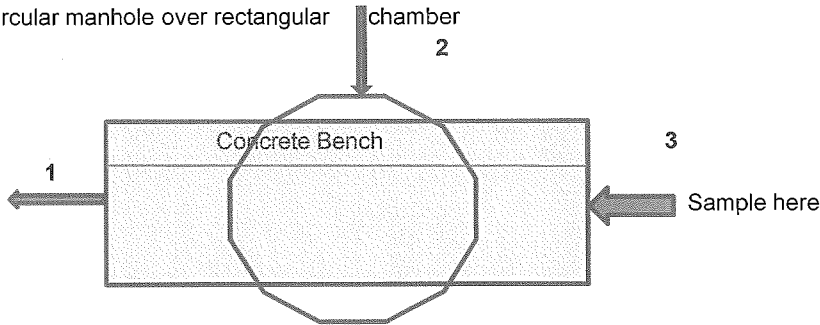
Signature: [Handwritten Signature]

BUFFALO AIRPORT
STORM SEWER SAMPLING DATA

Manhole/Catchbasin ID: 1B

| | | | |
|----------------|--------------|--------------------|---------------|
| Date: | 6/23/2016 | Job #: | 18036 |
| Crew: | KPL | Rim Elevation: | |
| Weather: | Overcast 70° | Water Present?: | <u>Yes</u> No |
| Depth to Water | Ft. BTOR | Flow observed?: | <u>Yes</u> No |
| Manhole depth: | 6.8 Ft. BTOR | Sediment present?: | Yes <u>No</u> |

Measure depths from top of frame.
Indicate inlets and outlet using arrows. Number clockwise from outlet.
Note: Circular manhole over rectangular chamber



| Number on Figure | Inlet/Outlet | Invert Depth (Ft. BTOR) | Diameter (Inches) | Direction | Shape | Material | Flow noted | Comments |
|------------------|--------------|-------------------------|-------------------|-----------|-------|----------|------------|------------------|
| 1 | Outlet | 7.0 | 42 inch | West | Round | Plastic | Yes | |
| 2 | Inlet | 5.25 | 18 inch | North | Round | PVC | None | |
| 3 | Inlet | 6.7 | 42 inch | East | Round | Plastic | Yes | Sample this flow |
| 4 | Inlet | | | | | | | |
| 5 | Inlet | | | | | | | |
| 6 | Inlet | | | | | | | |

SAMPLE RECORD

| | | | |
|---------------|------------------------|------------------------|-------------------------------|
| Date: | 6/23/2016 | Volume: | 3x40ml/1x500ml/1x250 ml/1x1L |
| Time: | 0800 | Analysis: | VOC/Metals/pH&TSS |
| Crew: | KPL | Chain of Custody #: | 55703 |
| Method: | BATER-2 Bottle on pole | Sample Type: | water |
| Sample ID: | SW-18036-062316-001 | Water Level Meter No.: | 7181 |
| pH: | 8.38 | Multimeter No.: | 8271 |
| Conductivity: | | Flow method: | Mannings - distance over time |
| Temperature: | 16.0° | | |
| Turbidity: | Clear | | |

Comments: < 1/4" in pipe flowing.

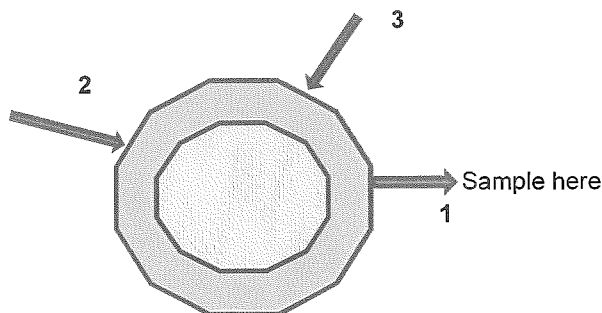
Signature: [Handwritten Signature]

BUFFALO AIRPORT
STORM SEWER SAMPLING DATA

Manhole/Catchbasin ID: 1C
Edge of Rip Rap to West of blast fence

Date: 6/23/2016 Job #: 18036-2014
 Crew: KPL Rim Elevation: _____
 Weather: Partly Cldy - 75° Water Present?: Yes No
 Depth to Water: 7.90 Ft. BTOR Flow observed?: Yes No
 Manhole depth: 8.45 Ft. BTOR Sediment present?: Yes No

Measure depths from top of frame.
Round catch basin over round manhole



Number on Figure

| Number on Figure | Inlet/Outlet | Depth | Diameter | Direction | Shape | Material | Flow noted | Comments |
|------------------|--------------|-------|----------|-----------|-------|----------|------------|-------------------------|
| 1 | Inlet/Outlet | | | | | | | |
| 2 | Outlet | 7.9 | 36 | east | Round | PVC | <u>No</u> | Sample this flow |
| 3 | Inlet | 8.33 | 36 | west | Round | PVC | <u>No</u> | |
| 4 | Inlet | | 12 | northeast | | | | not visible from surfac |
| 5 | Inlet | | | | | | | |
| 6 | Inlet | | | | | | | |
| | Inlet | | | | | | | |

SAMPLE RECORD

Date: 6/23/2016 Volume: 3x40ml/1x500ml/1x250 ml/1x1L
 Time: 0900 Analysis: VOC/Metals/pH&TSS
 Crew: KPL Chain of Custody #: 55703
 Method: Bailer 1* Sample Type: water
 Sample ID: SW-18036-062316-002
 pH: 8.16 Water Level Meter No.: 7181
 Conductivity: — Multimeter No.: 8271
 Temperature: 15.1°
 Turbidity: cloudy tr. seds Flow method: Mannings - distance over time

Comments: No flow - Sample water in MH w/L at outlet.

Signature: K.P. [Signature]

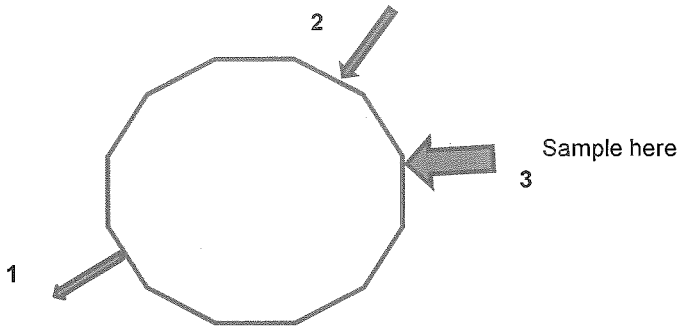
BUFFALO AIRPORT SITE
STORMWATER SEWER SAMPLING FIELD DATA SHEETS

BUFFALO AIRPORT
STORM SEWER SAMPLING DATA

Manhole/Catchbasin ID: 2A
Manhole in grass closest to overhead Sign over airport access road

| | | | |
|----------------|-------------------|--------------------|---|
| Date: | 6/23/2016 | Job #: | 18036-2014 |
| Crew: | KPL | Rim Elevation: | |
| Weather: | Partly cloudy 75° | Water Present?: | <input checked="" type="checkbox"/> Yes <input type="checkbox"/> No |
| Depth to Water | 7.05 Ft. BTOR | Flow observed?: | <input checked="" type="checkbox"/> Yes <input type="checkbox"/> No |
| Manhole depth: | 9.5 Ft. BTOR | Sediment present?: | Yes <input checked="" type="checkbox"/> No <i>For this loc. - Sediment MH</i> |

Measure depths from top of frame.
Round cover over round chamber



Water cascades into MH from this inlet

| Number on Figure | Inlet/Outlet | Invert Depth (Ft. BTOR) | Diameter (Inches) | Direction | Shape | Material | Flow noted | Comments |
|------------------|--------------|-------------------------|-------------------|-----------|-------|----------|------------|------------------|
| 1 | Outlet | 9.2 | 42 inch | southwest | round | concrete | yes | |
| 2 | Inlet | 7.5 | 24 inch | northeast | round | PVC | yes | |
| 3 | Inlet | 5.5 | 24 inch | east | round | PVC | yes | Sample this flow |
| 4 | Inlet | | | | | | | |
| 5 | Inlet | | | | | | | |
| 6 | Inlet | | | | | | | |

SAMPLE RECORD

| | | | |
|---------------|---------------------|------------------------|------------------------------|
| Date: | 6/23/2016 | Volume: | 3x40ml/1x500ml/1x250 ml/1x1L |
| Time: | 09:30 | Analysis: | VOC/Metals/pH&TSS |
| Crew: | KPL | Chain of Custody #: | 55703 |
| Method: | Bottle on pole | Sample Type: | water |
| Sample ID: | SW-18036-062316-003 | Water Level Meter No.: | 7181 |
| pH: | 8.24 | Multimeter No.: | 8271 |
| Conductivity: | | Flow method: | Bucket and stopwatch |
| Temperature: | 16.9 | | |
| Turbidity: | clear | | |

Comments: *Outlet surcharged -*

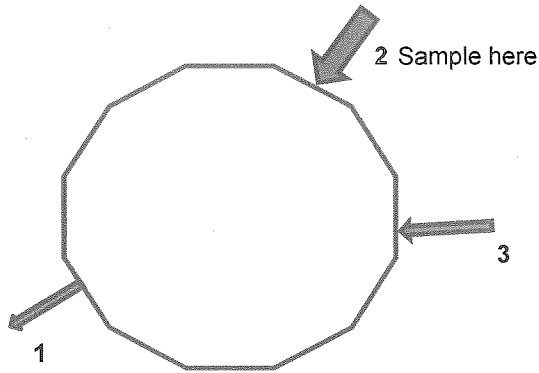
Signature: *[Handwritten Signature]*

BUFFALO AIRPORT
STORM SEWER SAMPLING DATA

Manhole/Catchbasin ID: 2B
 Manhole in grass closest to overhead Sign over airport access road

Date: 6/23/2016 Job #: 18036-2014
 Crew: KPL Rim Elevation:
 Weather: Partly cldy 75° Water Present?: Yes No
 Depth to Water 7.05 Ft. BTOR Flow observed?: Yes No *Not from this loc*
 Manhole depth: 9.5 Ft. BTOR Sediment present?: Yes No *in MH*

Measure depths from top of frame.
 Round cover over round chamber



| Number on Figure | Inlet/Outlet | Invert Depth (Ft. BTOR) | Diameter (Inches) | Direction | Shape | Material | Flow noted | Comments |
|------------------|--------------|-------------------------|-------------------|-----------|-------|----------|------------|------------------|
| 1 | Outlet | 9.2 | 42 inch | southwest | round | concrete | Yes | |
| 2 | Inlet | 7.5 | 24 inch | northeast | round | PVC | No | Sample this flow |
| 3 | Inlet | 5.5 | 24 inch | east | round | PVC | Yes | |
| 4 | Inlet | | | | | | | |
| 5 | Inlet | | | | | | | |
| 6 | Inlet | | | | | | | |

SAMPLE RECORD

Date: 6/23/2016 Volume: 3x40ml/1x500ml/1x250 ml/1x1L
 Time: 0945 Analysis: VOC/Metals/pH&TSS
 Crew: KPL Chain of Custody #: 55703
 Method: 3' bucket into pipe Sample Type: water
 Sample ID: SW-18036-062316-004
 pH: 11.23 Water Level Meter No.: 7181
 Conductivity: _____ Multimeter No.: 8271
 Temperature: 17.9
 Turbidity: sl. cldy-fine sediments Flow method: Bucket and stopwatch

Comments: Inlet surcharged - no obvious flow into MH noted from this inlet

Signature: [Handwritten Signature]

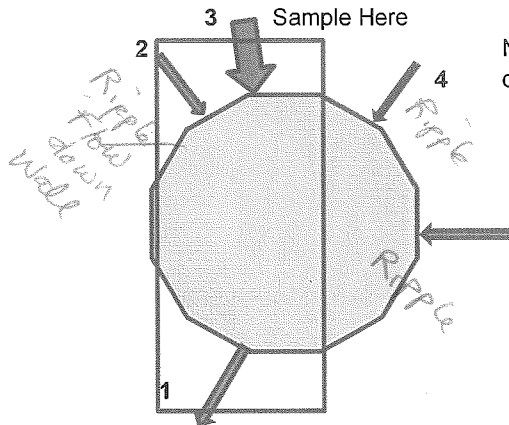
**BUFFALO AIRPORT
STORM SEWER SAMPLING DATA**

Manhole/Catchbasin ID: 2C
 CAUTION: on edge of roadway - traffic control needed (cones or spotter)

| | | | |
|-----------------|-----------------------|--------------------|---------------|
| Date: | 6/23/2016 | Job #: | |
| Crew: | KPL | Rim Elevation: | |
| Weather: | <i>ptly Cloudy 80</i> | Water Present?: | <u>Yes</u> No |
| Depth to Water: | <i>5.27</i> Ft. BTOR | Flow observed?: | <u>Yes</u> No |
| Manhole depth: | 5.85 Ft. BTOR | Sediment present?: | Yes <u>No</u> |

Slight outward

Measure depths SW-18036-062316-
 Indicate inlets and outlet using arrows. Number clockwise from outlet.



Note: Rectangular catchbasin grate over circular chamber

Truck over opening partly blocks access

*Removed grate
Water in MH also high pH @ 11:32*

| Number on Figure | Inlet/Outlet | Invert Depth (Ft. BTOR) | Diameter (Inches) | Direction | Shape | Material | Flow noted | Comments |
|------------------|--------------|-------------------------|-------------------|-----------|-------|----------|---------------|--------------------------|
| 1 | Outlet | 5.4 | 42 inch | South | round | PVC | <i>Slight</i> | |
| 2 | Inlet | 2.5 | 4 inch | Northwest | round | plastic | <i>yes</i> | corrugated underdrain |
| 3 | Inlet | 5.6 | 24 inch | North | round | PVC | <i>None</i> | Sample this flow |
| 4 | Inlet | 2.5 | 4 inch | Northeast | round | plastic | <i>yes</i> | corrugated underdrain |
| 5 | Inlet | | 18 inch | east | | | <i>?</i> | not visible from surface |
| 6 | Inlet | | | | | | | |

SAMPLE RECORD

| | | | |
|---------------|----------------------------|------------------------|-------------------------------|
| Date: | 6/23/2016 | Volume: | 3x40ml/1x500ml/1x250 ml/1x1L |
| Time: | <i>1015</i> | Analysis: | VOC/Metals/pH&TSS |
| Crew: | KPL | Chain of Custody #: | <i>55703</i> |
| Method: | <i>3' Butler into pipe</i> | Sample Type: | water |
| Sample ID: | SW-18036-062316-005+006 | Water Level Meter No.: | <i>7181</i> |
| pH: | <i>11.44</i> | Multimeter No.: | <i>8271</i> |
| Conductivity: | | Flow method: | Mannings - distance over time |
| Temperature: | <i>19.5</i> | | |
| Turbidity: | <i>Clear, colorless</i> | | |

Comments: *Outlet surcharged. Duplicate sample as 006 @ 1015. Inlet surcharged also*

Signature: *[Handwritten Signature]*

BUFFALO AIRPORT
STORM SEWER SAMPLING DATA

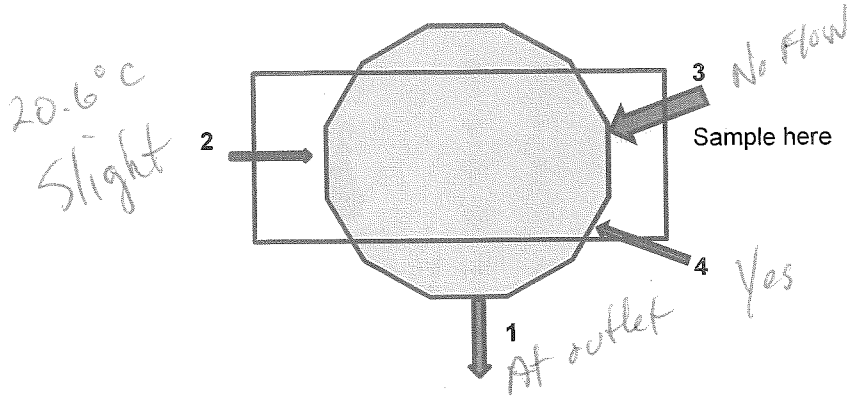
Manhole/Catchbasin ID: 2D

Date: 6/23/2016 Job #: 18036-2014
 Crew: KPL Rim Elevation: _____
 Weather: PTly cldy 80° Water Present?: Yes No
 Depth to Water 14.28 Ft. BTOR Flow observed?: Yes No *Not from inlet*
 Manhole depth: 5.1 Ft. BTOR Sediment present?: Yes No

Measure depths from top of frame.

Note: Rectangular catchbasin grate over circular chamber

Note - north side of CB grate is about 0.1 foot higher in elevation than the south side



| Number on Figure | Inlet/Outlet | Invert Depth (Ft. BTOR) | Diameter (Inches) | Direction | Shape | Material | Flow noted | Comments |
|------------------|--------------|-------------------------|--------------------|-----------|-------|----------|------------|-----------------------|
| 1 | Outlet | 4.3 | 18 inch | South | round | PVC | | |
| 2 | Inlet | 3.0 | 4 inch | West | round | plastic | | corrugated underdrain |
| 3 | Inlet | <u>4.3</u> | <u>4.4</u> 18 inch | East | round | PVC | | Sample this flow |
| 4 | Inlet | 3.0 | 4 inch | Southeast | round | plastic | | corrugated underdrain |
| 5 | Inlet | | | | | | | |
| 6 | Inlet | | | | | | | |

SAMPLE RECORD

Date: 6/23/2016
 Time: 11:30
 Crew: KPL
 Method: Boiler
 Sample ID: SW-18036-062316-008
 pH: 8.36
 Conductivity: -
 Temperature: 19.28
 Turbidity: Clear, colorless

Volume: 3x40ml/1x500ml/1x250 ml/1x1L
 Analysis: VOC/Metals/pH&TSS
 Chain of Custody #: 55703
 Sample Type: water
 Water Level Meter No.: 7181
 Multimeter No.: 8271

Flow method: Mannings - distance over time

Comments: some coarse seds present w/c outlet, inlet
and inlet - ~~drop~~ Sample MH @ inlet
 Signature: [Signature]

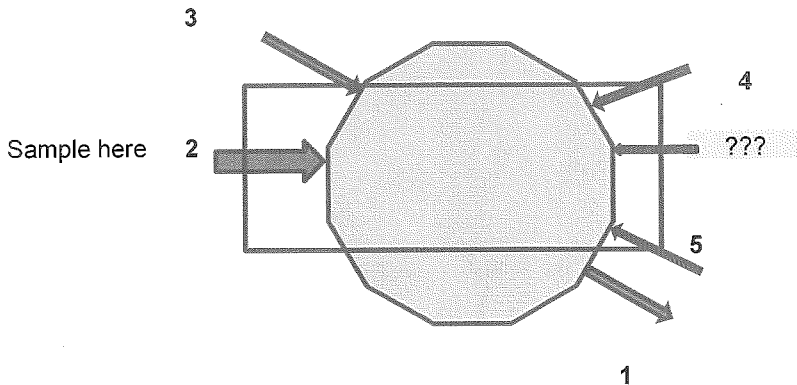
BUFFALO AIRPORT
STORM SEWER SAMPLING DATA

Manhole/Catchbasin ID: 3A
CAUTION: on edge of roadway - traffic control needed (cones or spotter)

| | | | |
|-----------------|-------------------|--------------------|------------|
| Date: | 6/23/2016 | Job #: | 18036-2014 |
| Crew: | KPL | Rim Elevation: | |
| Weather: | Partly Cloudy 80° | Water Present?: | Yes No |
| Depth to Water: | 6.54 Ft. BTOR | Flow observed?: | Yes No |
| Manhole depth: | 8.9 Ft. BTOR | Sediment present?: | Yes No |

Measure depths from top of frame.

Note: Rectangular catchbasin grate over circular chamber



Next CB to East has lots of grass in it.

| Number on Figure | Inlet/Outlet | Invert Depth (Ft. BTOR) | Diameter (Inches) | Direction | Shape | Material | Flow noted | Comments |
|------------------|--------------|-------------------------|-------------------|-----------|-------|----------|------------|-----------------------|
| 1 | Outlet | 6.7 | 42 inch | southeast | round | PVC | | |
| 2 | Inlet | 6.6 | 42 inch | west | round | PVC | | Sample this flow |
| 3 | Inlet | | 4 inch | northwest | round | plastic | | corrugated underdrain |
| 4 | Inlet | | 4 inch | northeast | round | plastic | | corrugated underdrain |
| 5 | Inlet | | 4 inch | southeast | round | plastic | | corrugated underdrain |
| ??? | Inlet | | 4 inch | east ??? | | | | corrugated underdrain |

SAMPLE RECORD

| | | | |
|---------------|---------------------|------------------------|------------------------------|
| Date: | 6/23/2016 | Volume: | 3x40ml/1x500ml/1x250 ml/1x1L |
| Time: | 1045 | Analysis: | VOC/Metals/pH&TSS |
| Crew: | KPL | Chain of Custody #: | 55703 |
| Method: | Bucket - 1' | Sample Type: | water |
| Sample ID: | SW-18036-062316-007 | Water Level Meter No.: | 7181 |
| pH: | 9.71 | Multimeter No.: | 8271 |
| Conductivity: | | Flow method: | Bucket and stopwatch |
| Temperature: | 17.4 | | |
| Turbidity: | clear, colorless | | |

Comments: Inlet surcharged; outlet surcharged

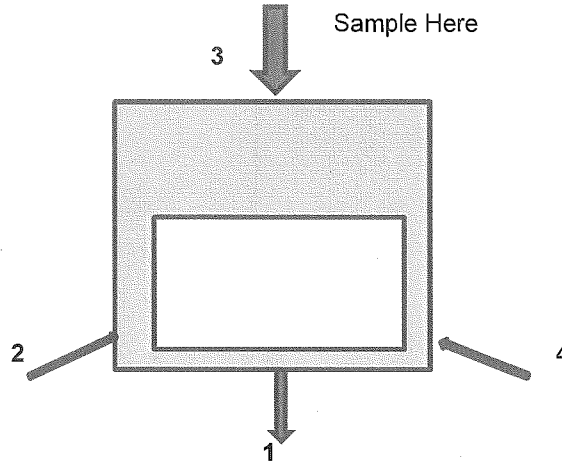
Signature: [Handwritten Signature]

BUFFALO AIRPORT
 STORM SEWER SAMPLING DATA
 CAUTION: on edge of roadway - traffic control needed (cones or spotter)
 Manhole/Catchbasin ID: 3B

Date: 6/23/2016 Job #: 18036-2014
 Crew: KPL Rim Elevation:
 Weather: 80° Ptlly Cldy Water Present?: Yes No
 Depth to Water 4.69 Ft. BTOR Flow observed?: Yes No
 Manhole depth: 5.5 Ft. BTOR Sediment present?: Yes No

Measure depths from top of frame.

Rectangular catch basin over rectangular chamber



| Number on Figure | Inlet/Outlet | Invert Depth (Ft. BTOR) | Diameter (Inches) | Direction | Shape | Material | Flow noted | Comments |
|------------------|--------------|-------------------------|-------------------|-----------|-------|----------|------------|-------------|
| 1 | Outlet | 4.7 | 24 | South | round | PVC | No | |
| 2 | Inlet | 2.5 | 6 | West | round | plastic | No | Underdrain |
| 3 | Inlet | 4.25 | 24 | North | round | PVC | No | Sample Here |
| 4 | Inlet | 2.5 | 6 | East | round | plastic | No | Underdrain |
| 5 | Inlet | | | | | | | |
| 6 | Inlet | | | | | | | |

SAMPLE RECORD

Date: 6/23/2016 Volume: 3x40ml/1x500ml/1x250 ml/1x1L
 Time: 1245 Analysis: VOC/Metals/pH&TSS
 Crew: KPL Chain of Custody #: 55703
 Method: 1' BAILER Sample Type: water
 Sample ID: SW-18036-062316-010
 pH: 7.76 Water Level Meter No.: 7181
 Conductivity: — Multimeter No.: 8271
 Temperature: 20.3
 Turbidity: Sl. Cloudy Flow method: Mannings - distance over time

Comments: Sediment in CB - No Flow noted. sampled water in CB.

Signature: [Signature]

BUFFALO AIRPORT
STORM SEWER SAMPLING DATA

MS/MSD

Manhole/Catchbasin ID: 3C

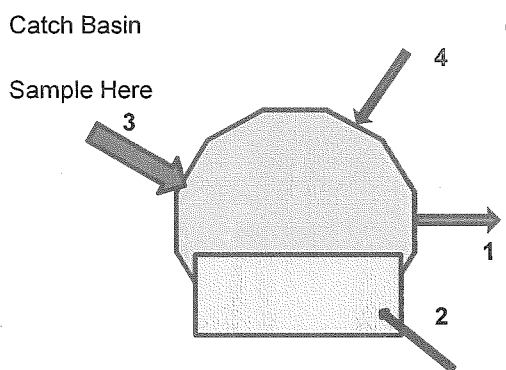
CAUTION: on edge of exit roadway - traffic control needed (cones or spotter)

| | | | |
|----------------|------------------------|--------------------|-------------------|
| Date: | <u>6/23/2016</u> | Job #: | <u>18036-2014</u> |
| Crew: | <u>KPL</u> | Rim Elevation: | |
| Weather: | <u>PTly Cloudy 80°</u> | Water Present?: | <u>Yes</u> No |
| Water depth: | <u>5.85</u> Ft. BTOR | Flow observed?: | Yes <u>No</u> |
| Manhole depth: | <u>6.55</u> Ft. BTOR | Sediment present?: | <u>Yes</u> No |

Measure depths from top of frame.

Catch Basin

Rectangular catch basin over circular chamber



*Water @ Outlet of CB
Sediment in CB*

Number on

| Figure | Inlet/Outlet | Depth | Diameter | Direction | Shape | Material | Flow noted | Comments |
|--------|--------------|-------|----------|-----------|-------|----------|------------|--------------------------|
| 1 | Outlet | 5.83 | 24 | east | round | PVC | No | |
| 2 | Inlet | 2.5 | 6 | southeast | round | plastic | No | Underdrain |
| 3 | Inlet | 5.83 | 24 | west | round | PVC | No | Sample Here |
| 4 | Inlet | ??? | 12 | northeast | | | No | not visible from surface |
| 5 | Inlet | | | | | | | |
| 6 | Inlet | | | | | | | |

SAMPLE RECORD

| | | | |
|---------------|-----------------------------|------------------------|--------------------------------------|
| Date: | <u>6/23/2016</u> | Volume: | <u>3x40ml/1x500ml/1x250 ml/1x1L</u> |
| Time: | <u>12:00</u> | Analysis: | <u>VOC/Metals/pH&TSS</u> |
| Crew: | <u>KPL</u> | Chain of Custody #: | <u>55703</u> |
| Method: | | Sample Type: | <u>water</u> |
| Sample ID: | <u>SW-18036-062316-009+</u> | Water Level Meter No.: | <u>7181</u> |
| pH: | <u>7.79</u> | Multimeter No.: | <u>8271</u> |
| Conductivity: | <u>—</u> | Flow method: | <u>Mannings - distance over time</u> |
| Temperature: | <u>21.0°</u> | | |
| Turbidity: | <u>cloudy, brown</u> | | |

Comments: No Flow - Sampled water in CB
Fine to coarse sediment. MS/MSD except pH

Signature: [Signature]

BUFFALO AIRPORT
STORM SEWER SAMPLING DATA SHEET

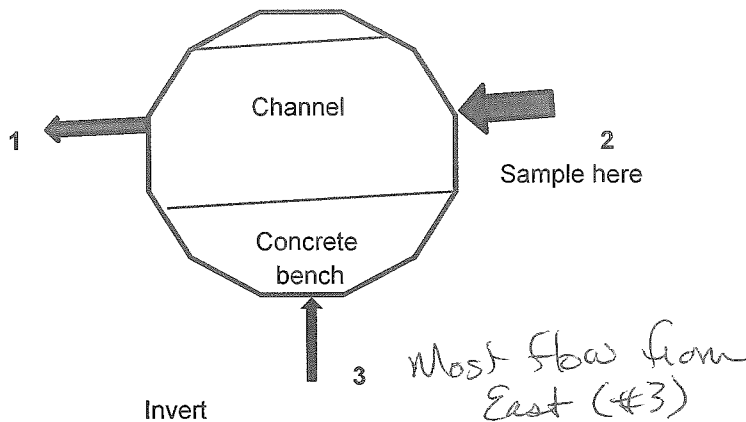
BUFFALO AIRPORT
STORM SEWER SAMPLING DATA

Manhole/Catchbasin ID: 1A
In sidewalk south side of Genesee Street near 4499 Genesee.

| | | | |
|-----------------|---------------|--------------------|---------------|
| Date: | 9/20/2016 | Job #: | 18036-2014 |
| Crew: | KPL | Rim Elevation: | |
| Weather: | Clear 85° | Water Present?: | <u>Yes</u> No |
| Depth to Water: | 12.9 Ft. BTOR | Flow observed?: | <u>Yes</u> No |
| Manhole depth: | 13.0 Ft. BTOR | Sediment present?: | Yes <u>No</u> |

Measure depths from top of frame.

On sidewalk south side of Genesee Street



| Number on Figure | Inlet/Outlet | Invert Depth (Ft. BTOR) | Diameter (Inches) | Direction | Shape | Material | Flow noted | Comments |
|------------------|--------------|-------------------------|-------------------|-----------|-------|----------|------------|------------------|
| 1 | Outlet | 13.25 | 42 inch | South | Round | | Yes | |
| 2 | Inlet | 13.0 | 42 inch | North | Round | | Yes | Sample this flow |
| 3 | Inlet | 9.0 | 24 inch | East | Round | | Yes | |
| 4 | Inlet | | | | | | | |
| 5 | Inlet | | | | | | | |
| 6 | Inlet | | | | | | | |

SAMPLE RECORD

| | | | |
|---------------|---------------------|------------------------|-------------------------------|
| Date: | 9/20/2016 | Volume: | 3x40ml/1x500ml/1x250 ml/1x1L |
| Time: | 1330 | Analysis: | VOC/Metals/pH&TSS |
| Crew: | KPL | Chain of Custody #: | 53281 |
| Method: | 3' Bail on Pole | Sample Type: | water |
| Sample ID: | SW-18036-062316-011 | Water Level Meter No.: | 4012 |
| pH: | 7.70 092016 | Multimeter No.: | 8271 |
| Conductivity: | - | Flow method: | Mannings - distance over time |
| Temperature: | 21.6°C | | |
| Turbidity: | Clear, colorless | | |

Comments: Clear, colorless. Sampled upstream of water coming from east pipe

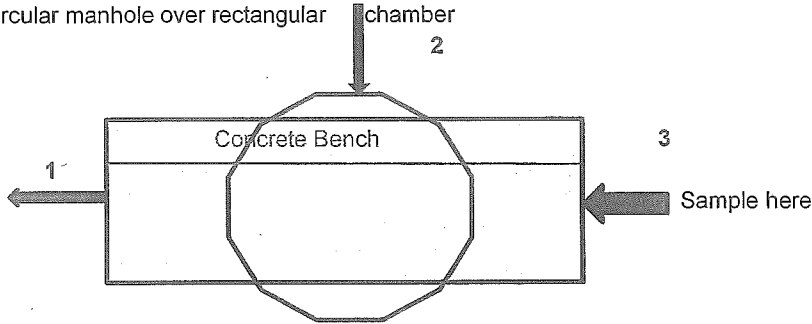
Signature: [Signature]

BUFFALO AIRPORT
STORM SEWER SAMPLING DATA

Manhole/Catchbasin ID: 1B

| | | | |
|-----------------|---------------|--------------------|---------------|
| Date: | 9/20/2016 | Job #: | 18036 |
| Crew: | KPL | Rim Elevation: | |
| Weather: | Clear 75°F AM | Water Present?: | <u>Yes</u> No |
| Depth to Water: | 6.75 Ft. BTOR | Flow observed?: | <u>Yes</u> No |
| Manhole depth: | 6.8 Ft. BTOR | Sediment present?: | Yes <u>No</u> |

Measure depths from top of frame.
Indicate inlets and outlet using arrows. Number clockwise from outlet.
Note: Circular manhole over rectangular chamber



| Number on Figure | Inlet/Outlet | Invert | | Direction | Shape | Material | Flow noted | Comments |
|------------------|--------------|------------------|-------------------|-----------|-------|----------|------------|-------------------------------|
| | | Depth (Ft. BTOR) | Diameter (Inches) | | | | | |
| 1 | Outlet | 7.0 | 42 inch | West | Round | Plastic | <u>Yes</u> | |
| 2 | Inlet | 5.25 | 18 inch | North | Round | PVC | <u>No</u> | water in upstream MH, no flow |
| 3 | Inlet | 6.7 | 42 inch | East | Round | Plastic | <u>Yes</u> | Sample this flow |
| 4 | Inlet | | | | | | | |
| 5 | Inlet | | | | | | | |
| 6 | Inlet | | | | | | | |

SAMPLE RECORD

| | | | |
|---------------|---------------------|------------------------|-------------------------------|
| Date: | 9/20/2016 | Volume: | 3x40ml/1x500ml/1x250 ml/1x1L |
| Time: | 0830 | Analysis: | VOC/Metals/pH&TSS |
| Crew: | KPL | Chain of Custody #: | 53281 |
| Method: | Bottle on Pole | Sample Type: | water |
| Sample ID: | SW-18036-062316-001 | Water Level Meter No.: | 4012 |
| pH: | 8.25 092016- | Multimeter No.: | 8271 |
| Conductivity: | | Flow method: | Mannings - distance over time |
| Temperature: | 17.9°C | | |
| Turbidity: | Clear, colorless | | |

Comments: < 1/4" water in channel. Flow E to W, Clear, colorless

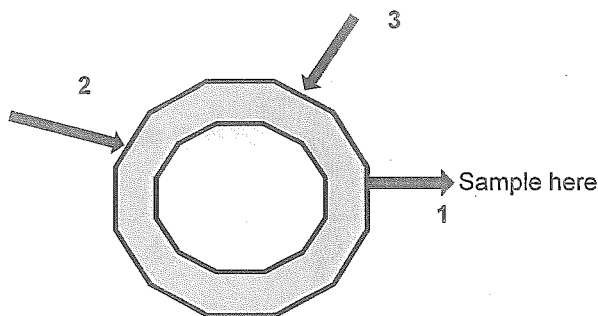
Signature: [Signature]

BUFFALO AIRPORT
STORM SEWER SAMPLING DATA

Manhole/Catchbasin ID: 1C
Edge of Rip Rap to West of blast fence

| | | | |
|----------------|----------------|--------------------|------------|
| Date: | 9/20/2016 | Job #: | 18036-2014 |
| Crew: | KPL | Rim Elevation: | |
| Weather: | Clear 75° | Water Present?: | Yes No |
| Depth to Water | 7.90' Ft. BTOR | Flow observed?: | Yes No |
| Manhole depth: | 8.45 Ft. BTOR | Sediment present?: | Yes No |

Measure depths from top of frame.
Round catch basin over round manhole



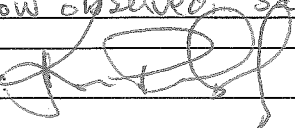
Number on Figure

| 1 | Inlet/Outlet | Depth | Diameter | Direction | Shape | Material | Flow noted | Comments |
|---|--------------|-------|----------|-----------|-------|----------|------------|--------------------------|
| 2 | Outlet | 7.9 | 36 | east | Round | PVC | No | Sample this flow |
| 3 | Inlet | 8.33 | 36 | west | Round | PVC | No | |
| 4 | Inlet | | 12 | northeast | | | - | not visible from surface |
| 5 | Inlet | | | | | | | |
| 6 | Inlet | | | | | | | |
| | Inlet | | | | | | | |

SAMPLE RECORD

| | | | |
|---------------|---------------------------|------------------------|-------------------------------|
| Date: | 9/20/2016 | Volume: | 3x40ml/1x500ml/1x250 ml/1x1L |
| Time: | 0905 | Analysis: | VOC/Metals/pH&TSS |
| Crew: | KPL | Chain of Custody #: | 53281 |
| Method: | 3' Bailer | Sample Type: | water |
| Sample ID: | SW-18036-062316- | Water Level Meter No.: | 4012 |
| pH: | 8:30 092016-002 | Multimeter No.: | 8271 |
| Conductivity: | | Flow method: | Mannings - distance over time |
| Temperature: | 18.5°C | | |
| Turbidity: | Clear, colorless, no sed. | | |

Comments: Water at outlet, no flow observed. Sample water in catch basin

Signature: 

BUFFALO AIRPORT SITE
STORMWATER SEWER SAMPLING FIELD DATA SHEETS

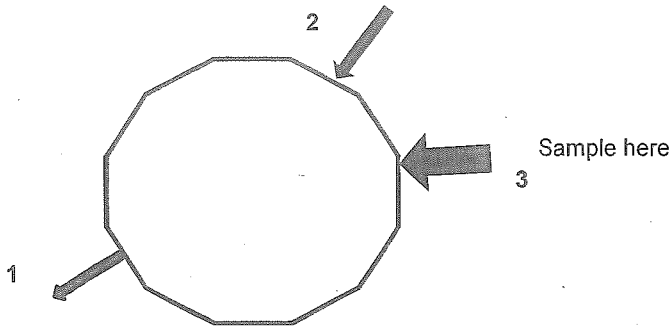
BUFFALO AIRPORT
STORM SEWER SAMPLING DATA

Manhole/Catchbasin ID: 2A (EAST-cascados in)

Manhole in grass closest to overhead Sign over airport access road

| | | | |
|----------------|---------------|--------------------|--------------------------------|
| Date: | 9/20/2016 | Job #: | |
| Crew: | KPL | Rim Elevation: | |
| Weather: | Clear 80° | Water Present?: | <u>Yes</u> No |
| Depth to Water | 7.1' Ft. BTOR | Flow observed?: | <u>Yes</u> No <i>from pipe</i> |
| Manhole depth: | 9.5 Ft. BTOR | Sediment present?: | Yes <u>No</u> |

Measure depths from top of frame.
Round cover over round chamber



| Number on Figure | Inlet/Outlet | Invert Depth (Ft. BTOR) | Diameter (Inches) | Direction | Shape | Material | Flow noted | Comments |
|------------------|--------------|-------------------------|-------------------|-----------|-------|----------|------------|------------------------|
| 1 | Outlet | 9.2 | 42 inch | southwest | round | concrete | Slight | Surcharged into outlet |
| 2 | Inlet | 7.5 | 24 inch | northeast | round | PVC | | |
| 3 | Inlet | 5.5 | 24 inch | east | round | PVC | Yes | Sample this flow |
| 4 | Inlet | | | | | | | |
| 5 | Inlet | | | | | | | |
| 6 | Inlet | | | | | | | |

SAMPLE RECORD

| | | | |
|---------------|---------------------|------------------------|------------------------------|
| Date: | 9/20/2016 | Volume: | 3x40ml/1x500ml/1x250 ml/1x1L |
| Time: | 1015 | Analysis: | VOC/Metals/pH&TSS |
| Crew: | KPL | Chain of Custody #: | 53281 |
| Method: | Bottle on pole | Sample Type: | water |
| Sample ID: | SW-18036-062348-004 | Water Level Meter No.: | 4012 |
| pH: | 8.13 092016~ | Multimeter No.: | 8271 |
| Conductivity: | | Flow method: | Bucket and stopwatch |
| Temperature: | 21.3°C | | |
| Turbidity: | Clear colorless | | |

Comments: Flow from E; Pipe. Sl. flow out. both #2 & #1 surcharged into pipe

11/25/2014

Signature: [Handwritten Signature]

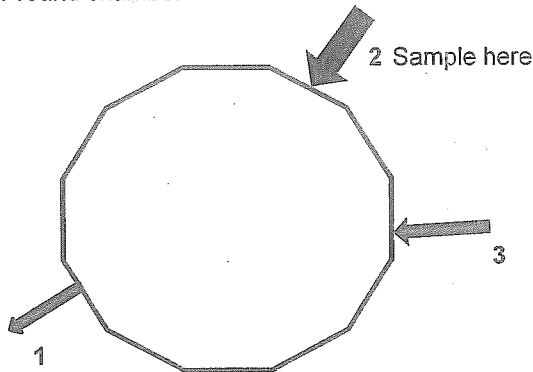
BUFFALO AIRPORT
STORM SEWER SAMPLING DATA

Manhole/Catchbasin ID: 2B
 Manhole in grass closest to overhead Sign over airport access road

| | | | |
|----------------|--------------|--------------------|---|
| Date: | 9/20/2016 | Job #: | 18036-2014 |
| Crew: | KPL | Rim Elevation: | |
| Weather: | Clear 80° | Water Present?: | <input checked="" type="checkbox"/> Yes <input type="checkbox"/> No |
| Depth to Water | 7.1 Ft. BTOR | Flow observed?: | Yes <input type="checkbox"/> <input checked="" type="checkbox"/> No |
| Manhole depth: | 9.5 Ft. BTOR | Sediment present?: | Yes <input type="checkbox"/> No <input type="checkbox"/> |

Measure depths from top of frame.
 Round cover over round chamber

*Surcharged into #2 inlet pipe
 & outlet pipe. Sample water
 in MH from inside #2 inlet*



| Number on Figure | Inlet/Outlet | Invert Depth (Ft. BTOR) | Diameter (Inches) | Direction | Shape | Material | Flow noted | Comments |
|------------------|--------------|-------------------------|-------------------|-----------|-------|----------|------------|------------------|
| 1 | Outlet | 9.2 | 42 inch | southwest | round | concrete | Slight | |
| 2 | Inlet | 7.5 | 24 inch | northeast | round | PVC | Slight | Sample this flow |
| 3 | Inlet | 5.5 | 24 inch | east | round | PVC | Yes | |
| 4 | Inlet | | | | | | | |
| 5 | Inlet | | | | | | | |
| 6 | Inlet | | | | | | | |

SAMPLE RECORD

| | | | |
|---------------|--------------------------|------------------------|------------------------------|
| Date: | 9/20/2016 | Volume: | 3x40ml/1x500ml/1x250 ml/1x1L |
| Time: | 1030 | Analysis: | VOC/Metals/pH&TSS |
| Crew: | KPL | Chain of Custody #: | 53281 |
| Method: | Bailer on pole into pipe | Sample Type: | water |
| Sample ID: | SW-18036-062316-005+006 | Water Level Meter No.: | 4012 |
| pH: | 11.13 092016- | Multimeter No.: | 8271 |
| Conductivity: | - | Flow method: | Bucket and stopwatch |
| Temperature: | 20.8°C | | |
| Turbidity: | sl. cloudy, sds | | |

Comments: *Duplicate as 006. Sds from pipe. Sample in #2 inlet using bailer on pole.*

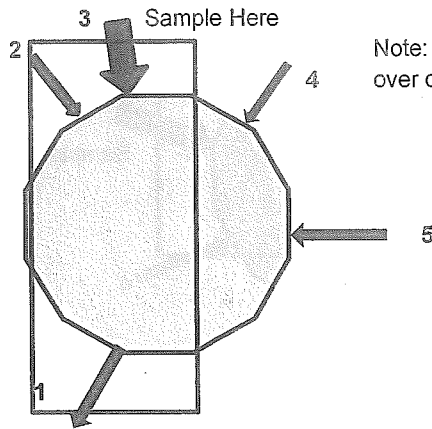
Signature: *[Handwritten Signature]*

BUFFALO AIRPORT
STORM SEWER SAMPLING DATA

Manhole/Catchbasin ID: 2C
CAUTION: on edge of roadway - traffic control needed (cones or spotter)

Date: 9/20/2016 Job #: P8036-2014
Crew: KPL Rim Elevation: _____
Weather: Clear 85° Water Present?: Yes No
Depth to Water 5.30 Ft. BTOR Flow observed?: Yes No *not from sample point*
Manhole depth: 5.85 Ft. BTOR Sediment present?: Yes No

Measure depths SW-18036-062316-
Indicate inlets and outlet using arrows. Number clockwise from outlet.



*Slight sediment.
Underdrains flowing.
Sl. flow out from outlet*

Note: Rectangular catchbasin grate over circular chamber

| Number on Figure | Inlet/Outlet | Invert Depth (Ft. BTOR) | Diameter (Inches) | Direction | Shape | Material | Flow noted | Comments |
|------------------|--------------|-------------------------|-------------------|-----------|-------|----------|---------------|--|
| 1 | Outlet | 5.4 | 42 inch | South | round | PVC | <i>Slight</i> | <i>Surcharged into pipe</i> |
| 2 | Inlet | 2.5 | 4 inch | Northwest | round | plastic | <i>yes</i> | corrugated underdrain |
| 3 | Inlet | 5.6 | 24 inch | North | round | PVC | <i>No</i> | Sample this flow <i>Surcharged into pipe</i> |
| 4 | Inlet | 2.5 | 4 inch | Northeast | round | plastic | <i>yes</i> | corrugated underdrain |
| 5 | Inlet | | 18 inch | east | | | <i>yes</i> | not visible from surface |
| 6 | Inlet | | | | | | | |

SAMPLE RECORD

Date: 9/20/2016
Time: 11:15
Crew: KPL
Method: Bailer
Sample ID: SW-18036-092016-007
pH: 10.97
Conductivity: —
Temperature: 22.7
Turbidity: Clear, colorless

Volume: 3x40ml/1x500ml/1x250 ml/1x1L
Analysis: VOC/Metals/pH&TSS
Chain of Custody #: 53281
Sample Type: water
Water Level Meter No.: 4012
Multimeter No.: 8271

Flow method: Mannings - distance over time

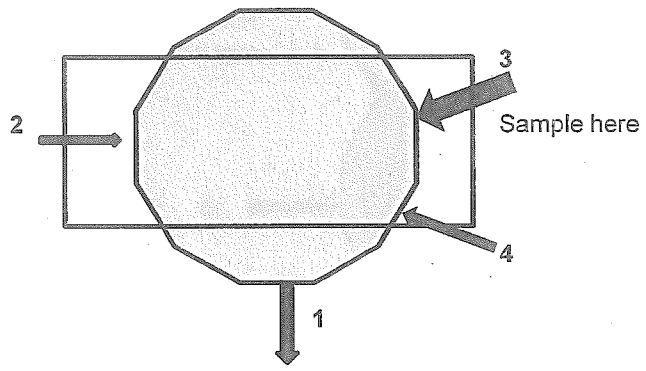
Comments: Sample from bailer into #3 inlet. Sew sedo in MH, none in pipe.

Signature: [Signature]

BUFFALO AIRPORT
STORM SEWER SAMPLING DATA

Manhole/Catchbasin ID: 2D

Date: 9/20/2016 Job #: 18036-2014
 Crew: KPL Rim Elevation:
 Weather: Clear 80° Water Present?: Yes No
 Depth to Water 4.31 Ft. BTOR Flow observed?: Yes No
 Manhole depth: 5.1 Ft. BTOR Sediment present?: Yes No
 Measure depths from top of frame.
 Note: Rectangular catchbasin grate over circular chamber
 Note - north side of CB grate is about 0.1 foot higher in elevation than the south side *Coarser sed.*



| Number on Figure | Inlet/Outlet | Invert Depth (Ft. BTOR) | Diameter (Inches) | Direction | Shape | Material | Flow noted | Comments |
|------------------|--------------|-------------------------|-------------------|-----------|-------|----------|------------|-----------------------|
| 1 | Outlet | 4.3 | 18 inch | South | round | PVC | Slight | from # 4 |
| 2 | Inlet | 3.0 | 4 inch | West | round | plastic | Slight | corrugated underdrain |
| 3 | Inlet | 4.4 | 18 inch | East | round | PVC | No | Sample this flow |
| 4 | Inlet | 3.0 | 4 inch | Southeast | round | plastic | Yes | corrugated underdrain |
| 5 | Inlet | | | | | | | |
| 6 | Inlet | | | | | | | |

SAMPLE RECORD

Date: 9/20/2016 Volume: 3x40ml/1x500ml/1x250 ml/1x1L
 Time: 0945 Analysis: VOC/Metals/pH&TSS
 Crew: KPL Chain of Custody #: 53281
 Method: Barter-1 Sample Type: water
 Sample ID: SW-18036-062346-003
 pH: 8.05 9/20/16
 Conductivity: -
 Temperature: 22°C
 Turbidity: Clear colorless
 Water Level Meter No.: 4012
 Multimeter No.: 8271
 Flow method: Mannings - distance over time

Comments: Sample water in CB nearest #3 inlet. few coarser sediments in sample. Flow from SE underdrain.

Signature: *KPL*

BUFFALO AIRPORT
STORM SEWER SAMPLING DATA

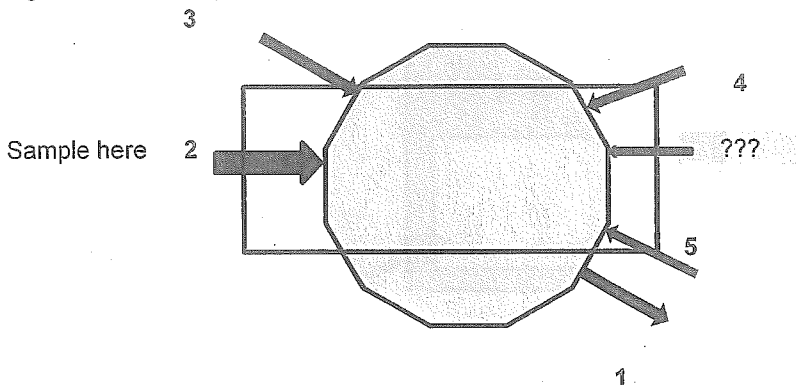
Manhole/Catchbasin ID: 3A

CAUTION: on edge of roadway - traffic control needed (cones or spotter)

| | | | |
|----------------|---------------|--------------------|---------------------------|
| Date: | 9/20/2016 | Job #: | 18036-2014 |
| Crew: | KPL | Rim Elevation: | |
| Weather: | Clear 85°F | Water Present?: | Yes No |
| Depth to Water | 6.50 Ft. BTOR | Flow observed?: | Yes No |
| Manhole depth: | 8.9 Ft. BTOR | Sediment present?: | Yes No in MH, not in pipe |

Measure depths from top of frame.

Note: Rectangular catchbasin grate over circular chamber



Surcharged into inlet & outlet, outlet by KPL

| Number on Figure | Inlet/Outlet | Invert Depth (Ft. BTOR) | Diameter (Inches) | Direction | Shape | Material | Flow noted | Comments |
|------------------|--------------|-------------------------|-------------------|-----------|-------|----------|------------|-----------------------|
| 1 | Outlet | 6.7 | 42 inch | southeast | round | PVC | No | |
| 2 | Inlet | 6.6 | 42 inch | west | round | PVC | No | Sample this flow |
| 3 | Inlet | | 4 inch | northwest | round | plastic | No | corrugated underdrain |
| 4 | Inlet | | 4 inch | northeast | round | plastic | No | corrugated underdrain |
| 5 | Inlet | | 4 inch | southeast | round | plastic | No | corrugated underdrain |
| ??? | Inlet | | 4 inch | east ??? | | | | corrugated underdrain |

SAMPLE RECORD

Date: 9/20/2016
 Time: 1148
 Crew: KPL
 Method: Bailer
 Sample ID: SW-18036-062316-008
 pH: 9.07 - 092016
 Conductivity: _____
 Temperature: 22.5
 Turbidity: Clear, colorless

Volume: 3x40ml/1x500ml/1x250 ml/1x1L
 Analysis: VOC/Metals/pH&TSS
 Chain of Custody #: 53281
 Sample Type: water
 Water Level Meter No.: 4012
 Multimeter No.: 8271

Flow method: Bucket and stopwatch

Comments: few coarse solids in OB. Sample from inlet pipe. Inlet #2 & outlet pipe surcharged

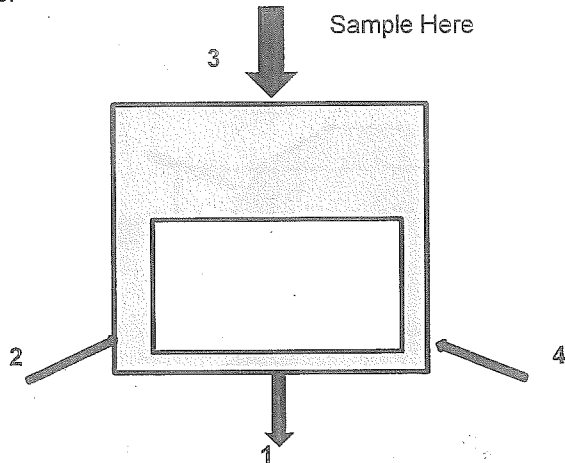
Signature: [Handwritten Signature]

BUFFALO AIRPORT
STORM SEWER SAMPLING DATA
CAUTION: on edge of roadway - traffic control needed (cones or spotter)
Manhole/Catchbasin ID: 3B

| | | | |
|-----------------|---------------|--------------------|---|
| Date: | 9/20/2016 | Job #: | 18036-2014 |
| Crew: | KPL | Rim Elevation: | |
| Weather: | Clear 85° | Water Present?: | <input checked="" type="radio"/> Yes <input type="radio"/> No |
| Depth to Water: | 7.69 Ft. BTOR | Flow observed?: | Yes <input checked="" type="radio"/> No <input type="radio"/> |
| Manhole depth: | 5.5 Ft. BTOR | Sediment present?: | <input checked="" type="radio"/> Yes <input type="radio"/> No |

Measure depths from top of frame.

Rectangular catch basin over rectangular chamber



| Number on Figure | Inlet/Outlet | Invert Depth (Ft. BTOR) | Diameter (Inches) | Direction | Shape | Material | Flow noted | Comments |
|------------------|--------------|-------------------------|-------------------|-----------|-------|----------|------------|-------------|
| 1 | Outlet | 4.7 | 24 | South | round | PVC | | |
| 2 | Inlet | 2.5 | 6 | West | round | plastic | | Underdrain |
| 3 | Inlet | 4.25 | 24 | North | round | PVC | | Sample Here |
| 4 | Inlet | 2.5 | 6 | East | round | plastic | | Underdrain |
| 5 | Inlet | | | | | | | |
| 6 | Inlet | | | | | | | |

SAMPLE RECORD

| | | | |
|---------------|---|------------------------|-------------------------------|
| Date: | 9/20/2016 | Volume: | 3x40ml/1x500ml/1x250 ml/1x1L |
| Time: | 1245 | Analysis: | VOC/Metals/pH&TSS |
| Crew: | KPL | Chain of Custody #: | |
| Method: | Bailer 092016- | Sample Type: | water |
| Sample ID: | SW-18036-062346-010 +MS+MSD | Water Level Meter No.: | |
| pH: | 8.27 | Multimeter No.: | |
| Conductivity: | | Flow method: | Mannings - distance over time |
| Temperature: | 22.5°C | | |
| Turbidity: | SI cloudy | | |
| Comments: | No MS/MSD for pH on CB coarse sed present | | |

Signature: _____

BUFFALO AIRPORT
STORM SEWER SAMPLING DATA

Manhole/Catchbasin ID: 3C
CAUTION: on edge of exit roadway - traffic control needed (cones or spotter)

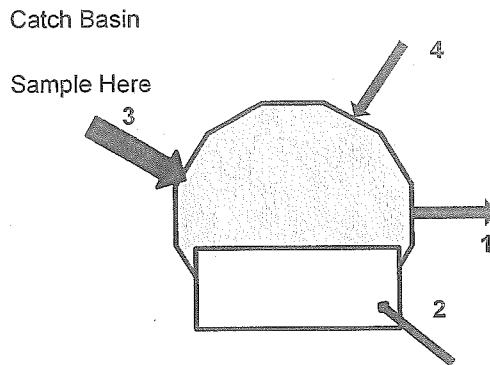
Date: 9/20/2016 Job #: 18036-2014
Crew: KPL Rim Elevation: _____
Weather: clear 85° Water Present?: Yes No
Water depth: 5.83 Ft. BTOR Flow observed?: Yes No
Manhole depth: 6.55 Ft. BTOR Sediment present?: Yes No

Measure depths from top of frame.

from CB.

Catch Basin

Rectangular catch basin over circular chamber



Number on

| Figure | Inlet/Outlet | Depth | Diameter | Direction | Shape | Material | Flow noted | Comments |
|--------|--------------|-------|----------|-----------|-------|----------|------------|--------------------------|
| 1 | Outlet | 5.83 | 24 | east | round | PVC | No | |
| 2 | Inlet | 2.5 | 6 | southeast | round | plastic | No | Underdrain |
| 3 | Inlet | 5.83 | 24 | west | round | PVC | No | Sample Here |
| 4 | Inlet | ??? | 12 | northeast | | | - | not visible from surface |
| 5 | Inlet | | | | | | | |
| 6 | Inlet | | | | | | | |

SAMPLE RECORD

Date: 9/20/2016 Volume: 3x40ml/1x500ml/1x250 ml/1x1L
Time: 1230 Analysis: VOC/Metals/pH&TSS
Crew: KPL Chain of Custody #: 53281
Method: Bailey 1' 09-2016 Sample Type: water
Sample ID: SW-18036-062316-009
pH: 8.26 Water Level Meter No.: 4012
Conductivity: _____ Multimeter No.: 8271
Temperature: 24.2°C
Turbidity: clear, colorless Flow method: Mannings - distance over time

Comments: No flow. Water at inlet & outlet pipes
few sediments in man.

Signature: _____