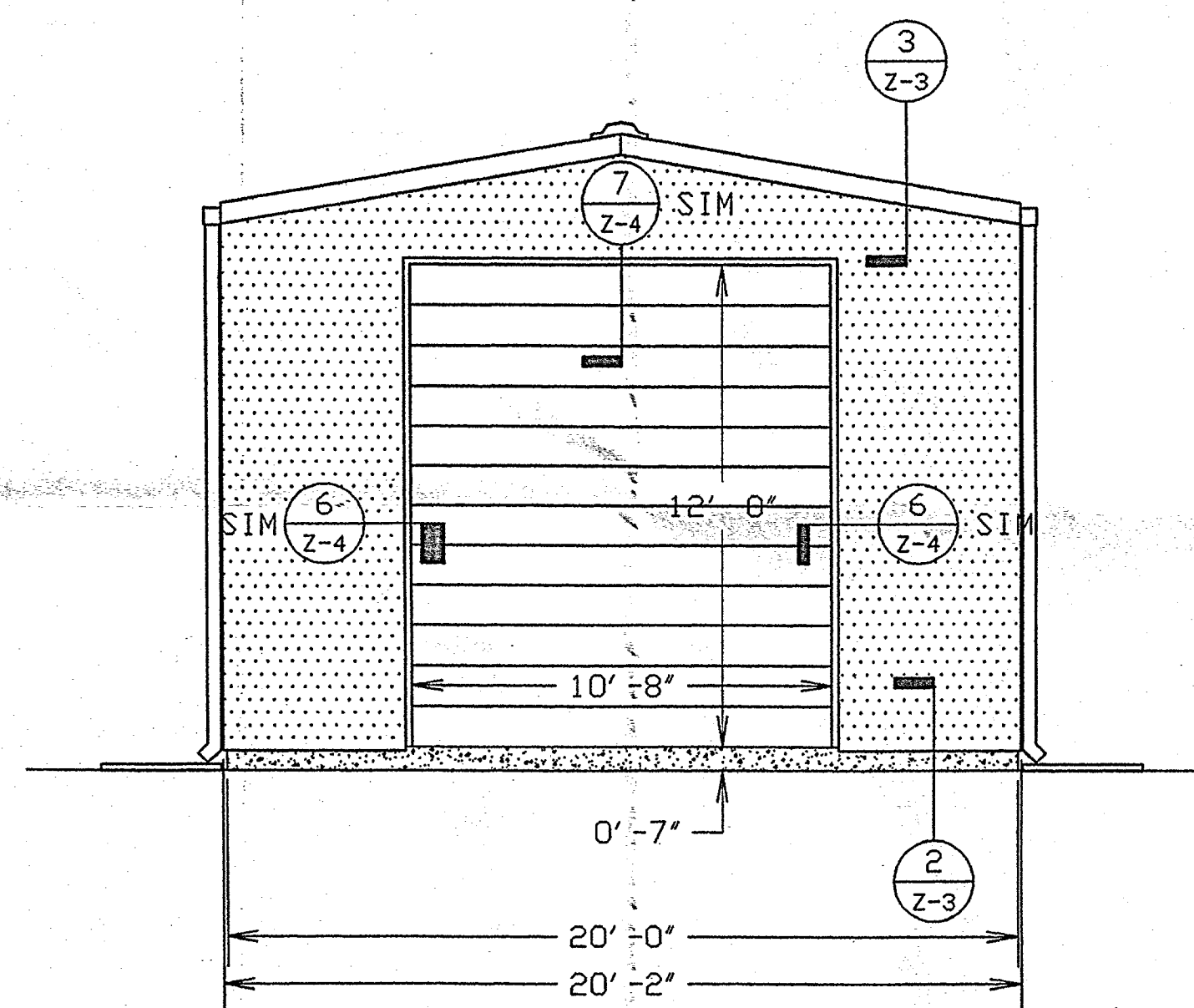
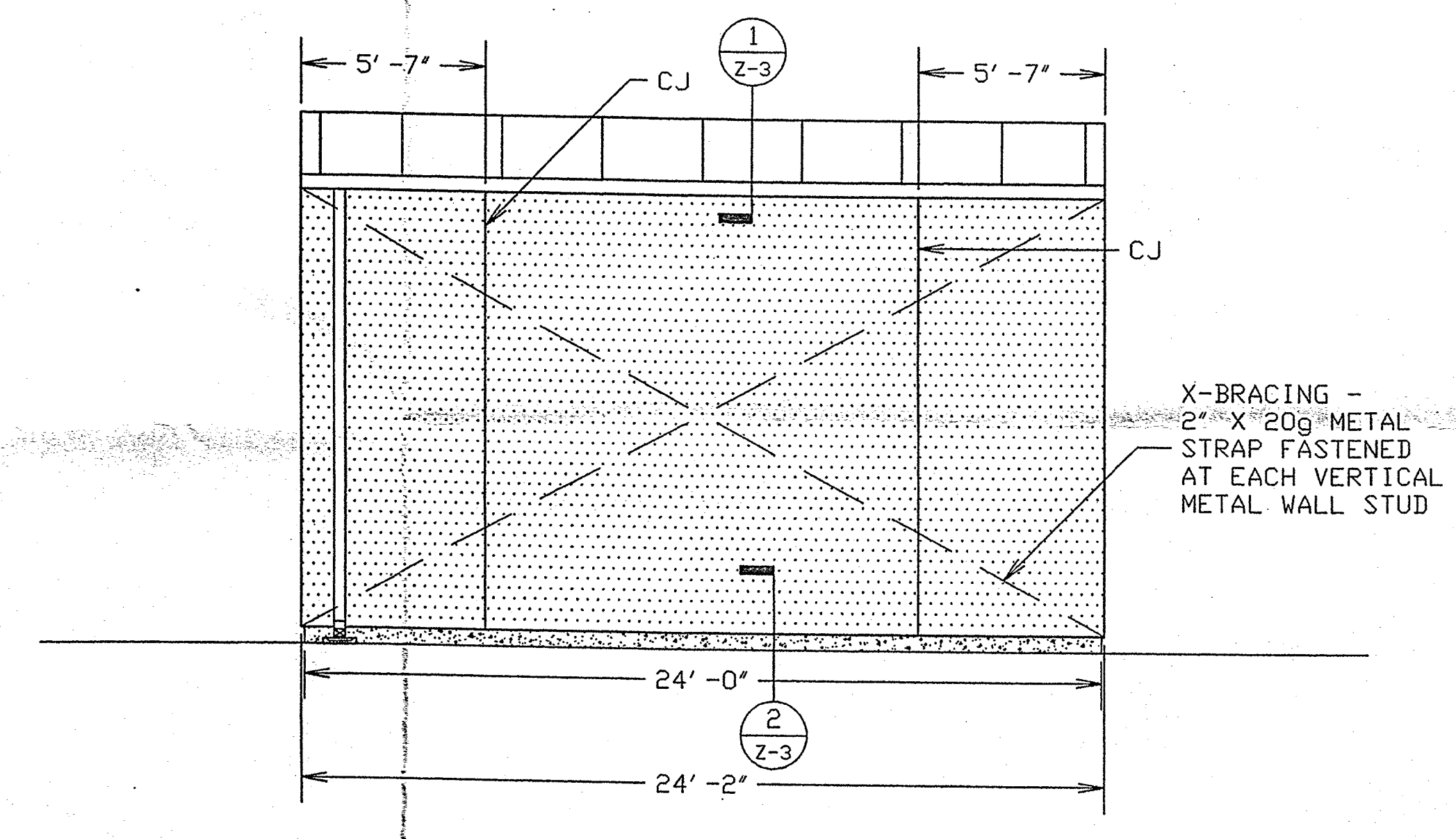


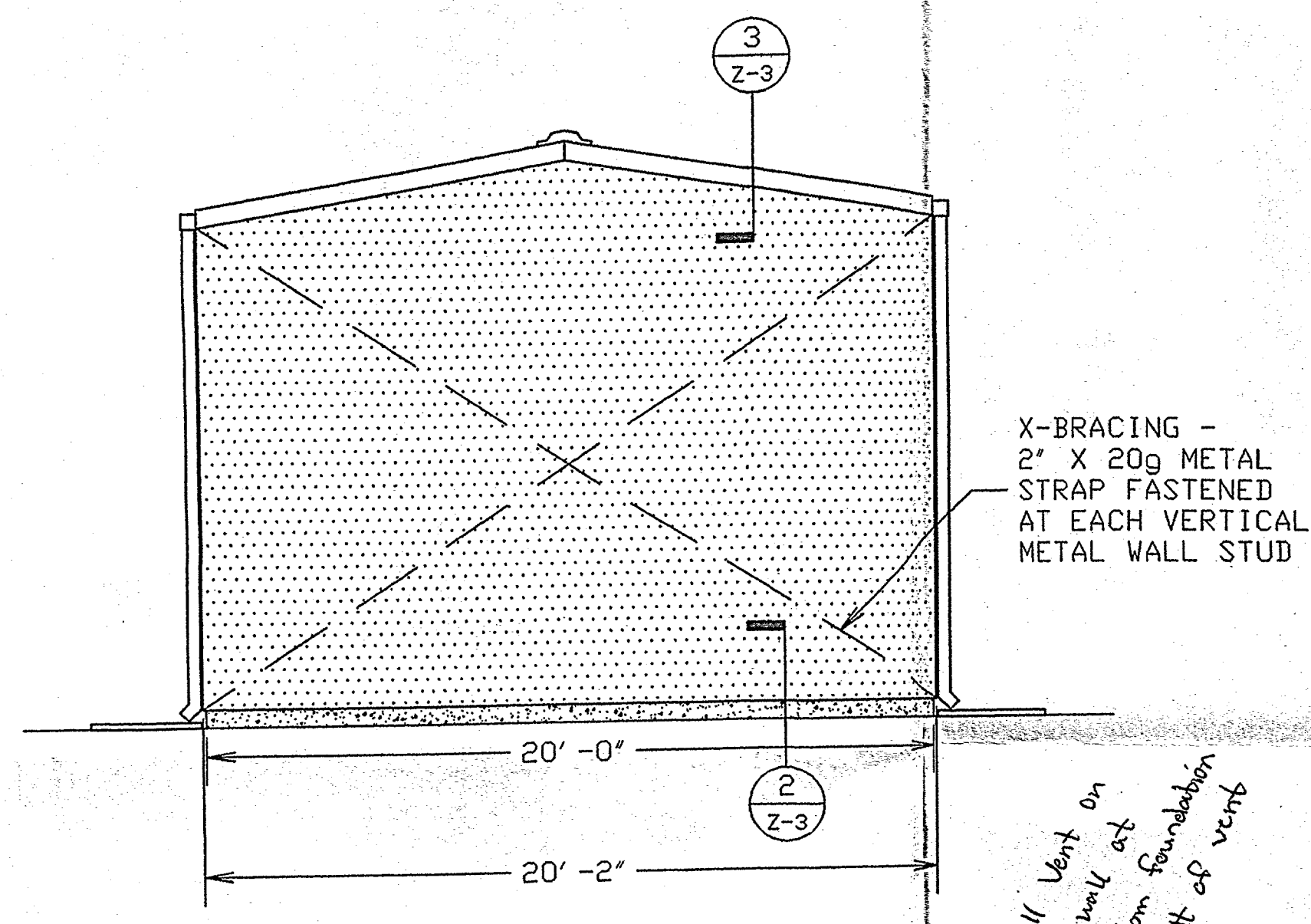
**Treatment Building Plan**  
SCALE: 1/4" = 1'-0"



**NORTH Elevation**  
SCALE: 1/4" = 1'-0"

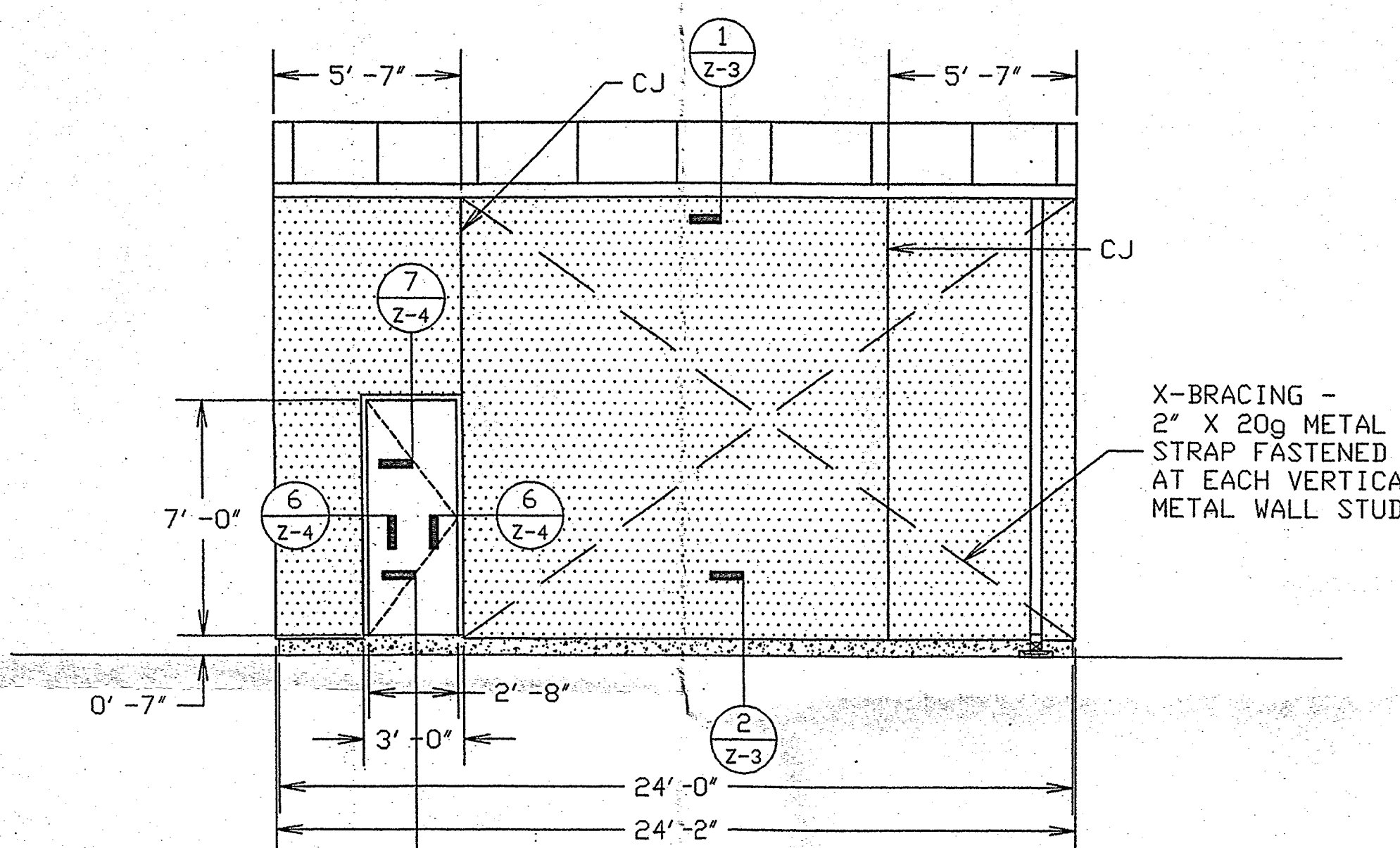


**EAST Elevation**  
SCALE: 1/4" = 1'-0"



**SOUTH Elevation**  
SCALE: 1/4" = 1'-0"

*Install Vent on South wall at 8' from foundation to Dist of vent*  
7/18/00



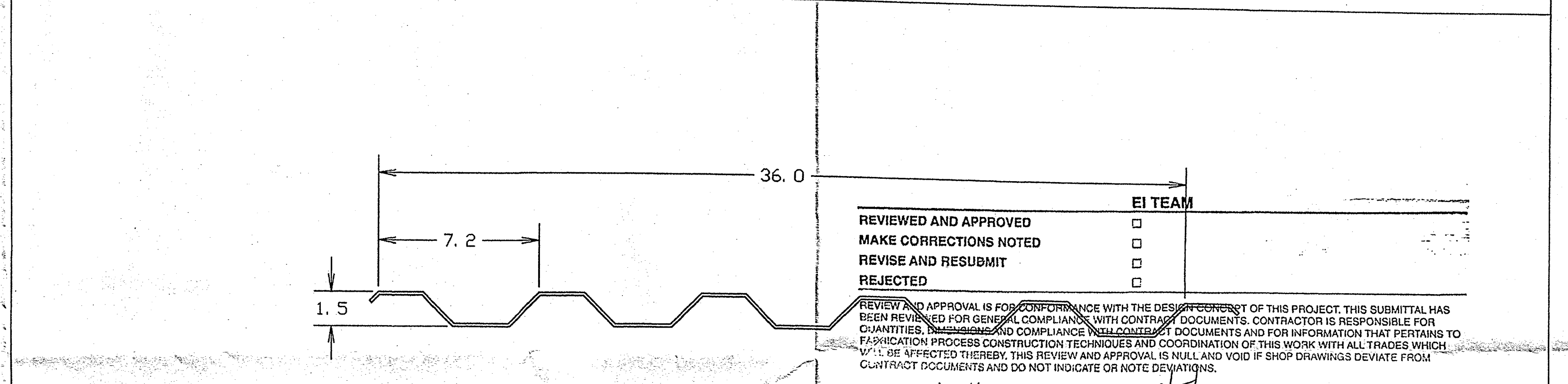
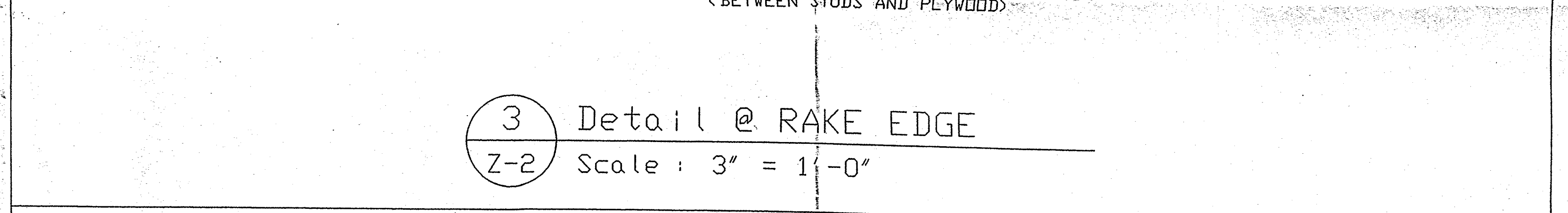
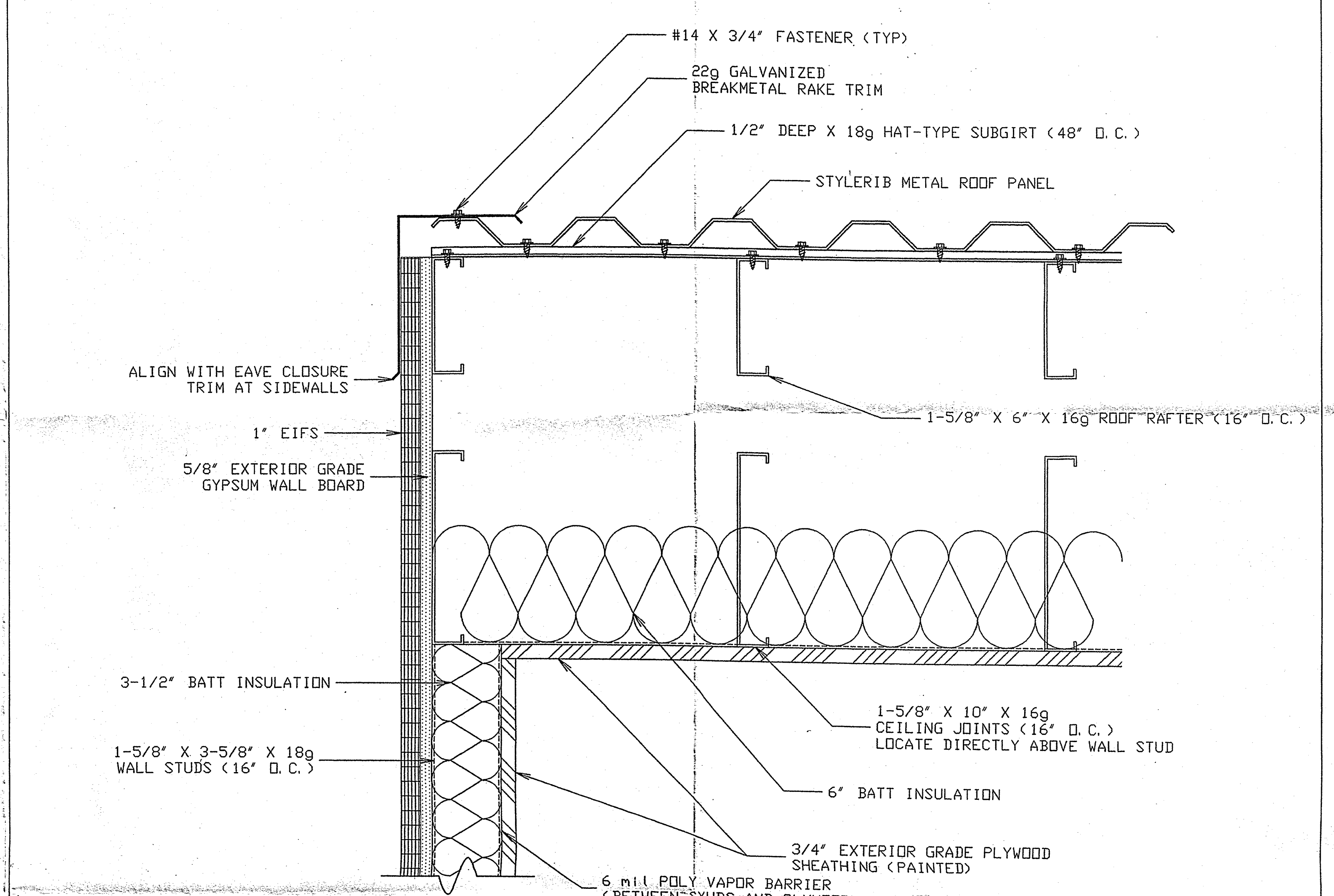
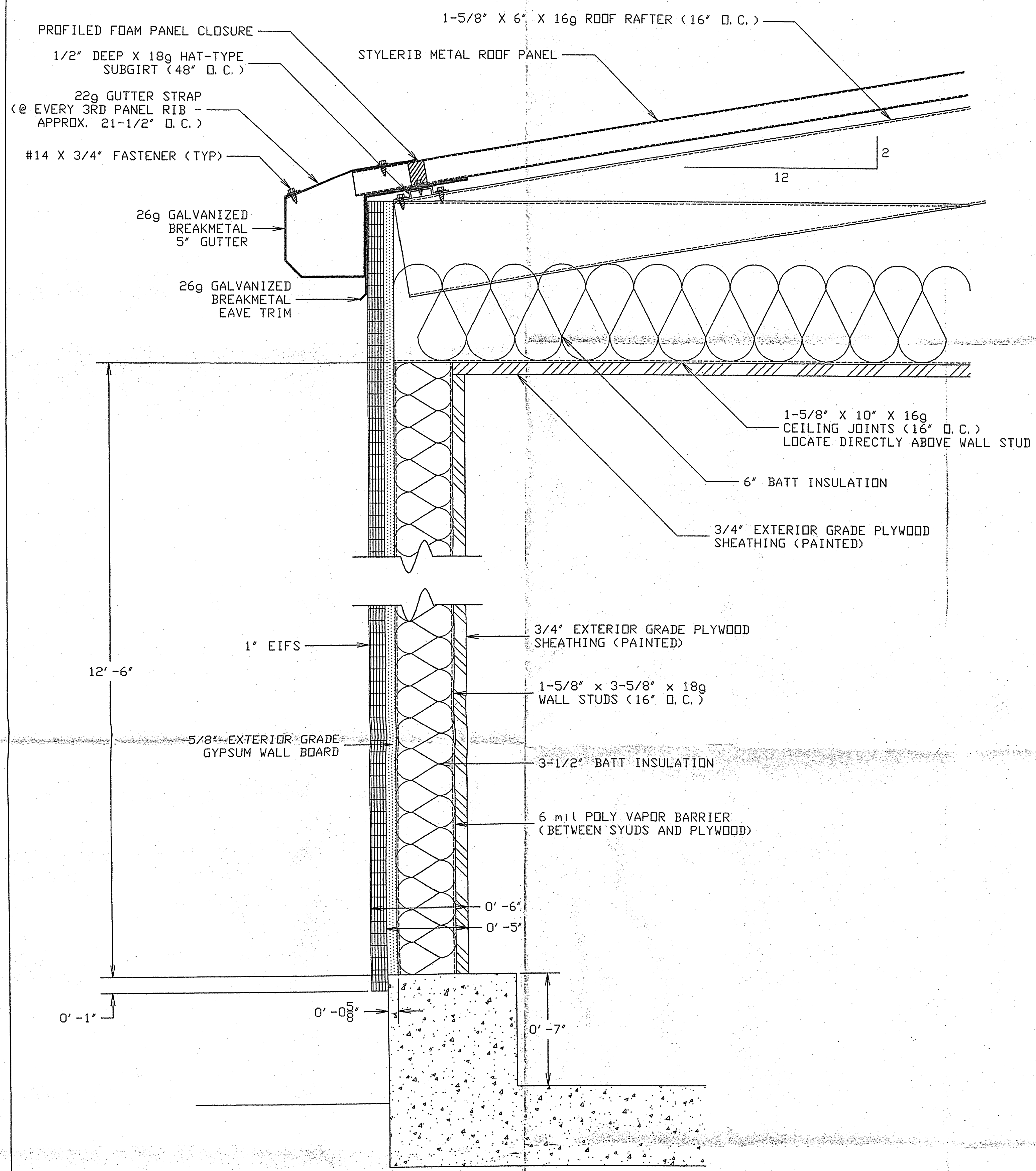
**WEST Elevation**  
SCALE: 1/4" = 1'-0"

REVIEWED AND APPROVED  EI TEAM  
 MAKE CORRECTIONS NOTED   
 REVISE AND RESUBMIT   
 REJECTED   
 REVIEW AND APPROVAL IS FOR CONFORMANCE WITH THE DESIGN CONCEPT OF THIS PROJECT. THIS SUBMITTAL HAS BEEN REVIEWED FOR GENERAL COMPLIANCE WITH CONTRACT DOCUMENTS. CONTRACTOR IS RESPONSIBLE FOR QUANTITIES, DIMENSIONS AND COMPLIANCE WITH CONTRACT DOCUMENTS AND FOR INFORMATION THAT PERTAINS TO FABRICATION PROCESS CONSTRUCTION TECHNIQUES AND COORDINATION OF THIS WORK WITH ALL TRADES WHICH WILL BE AFFECTED THEREBY. THIS REVIEW AND APPROVAL IS NULL AND VOID IF SHOP DRAWINGS DEVIATE FROM CONTRACT DOCUMENTS AND DO NOT INDICATE OR NOTE DEVIATIONS.  
 WCH DATE 7/18/00

E/TEAM, LLC Original  BUFFALO, NY  
 COPIES  OF   
 JUN 05 2000  
 Job No: 990088.01

CORRUGATED PROTECTED METAL STANDING SEAM PANELS GALVANIZED STEEL FIBERGLASS SHEETING ALUMINUM	<b>E.M.ZIEGLER CO., INC.</b> 3212 UNION ROAD BUFFALO, NEW YORK 14227	INSULATED WALL PANELS	REVISION	DATE	DESCRIPTION	IT Corporation BNIA Treatment Building Shell NFTA Project #31BL9901 SCALE: 1/4" = 1'-0" DATE: May 18, 2000 CONTRACT NUMBER: C5464 DRAWING NUMBER: Z-2
		VENTILATORS	2			
		LOUVERS	1			
		DOORS, STEEL DECK	0	05/30/2000	Submit for Approval	
		BUILDING INSULATION				





REVIEWED AND APPROVED	<input type="checkbox"/>	EI TEAM
MAKE CORRECTIONS NOTED	<input type="checkbox"/>	
REVISE AND RESUBMIT	<input type="checkbox"/>	
REJECTED	<input type="checkbox"/>	

REVIEW AND APPROVAL IS FOR CONFORMANCE WITH THE DESIGN INTENT OF THIS PROJECT. THIS SUBMITTAL HAS BEEN REVIEWED FOR GENERAL COMPLIANCE WITH CONTRACT DOCUMENTS. CONTRACTOR IS RESPONSIBLE FOR QUANTITIES, MATERIALS AND COMPLIANCE WITH CONTRACT DOCUMENTS AND FOR INFORMATION THAT PERTAINS TO FABRICATION PROCESS CONSTRUCTION TECHNIQUES AND COORDINATION OF THIS WORK WITH ALL TRADES WHICH WILL BE AFFECTED THEREBY. THIS REVIEW AND APPROVAL IS NULL AND VOID IF SHOP DRAWINGS DEVIATE FROM CONTRACT DOCUMENTS AND DO NOT INDICATE OR NOTE DEVIATIONS.

WCH DATE 7/5/00

1 Detail @ EAVE/GUTTER  
Z-2 Scale: 3" = 1'-0"

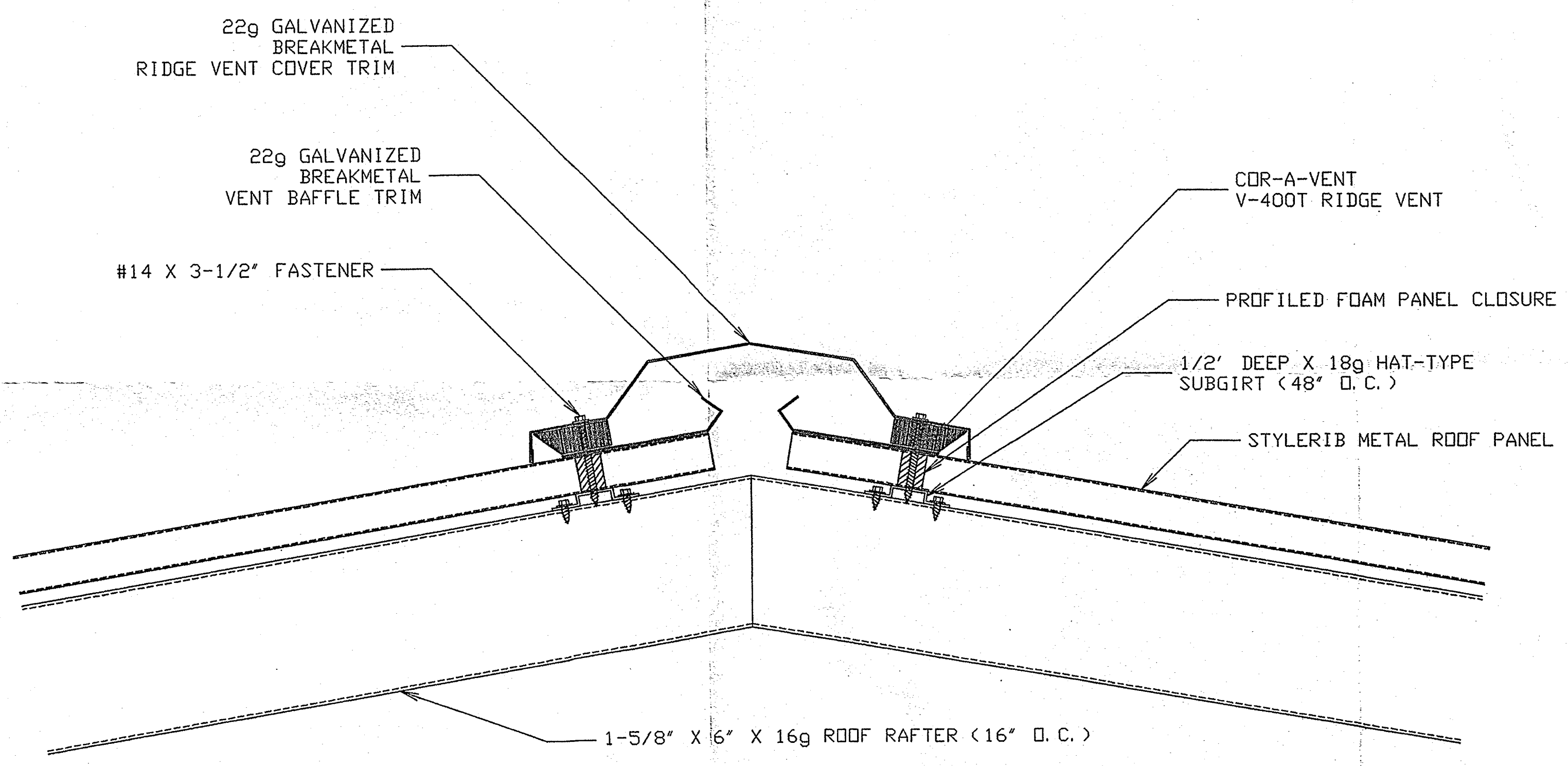
2 Detail @ BASE  
Z-2 Scale: 3" = 1'-0"

4 STYLERIB Panel Profile  
Z-3 Scale: 3" = 1'-0"

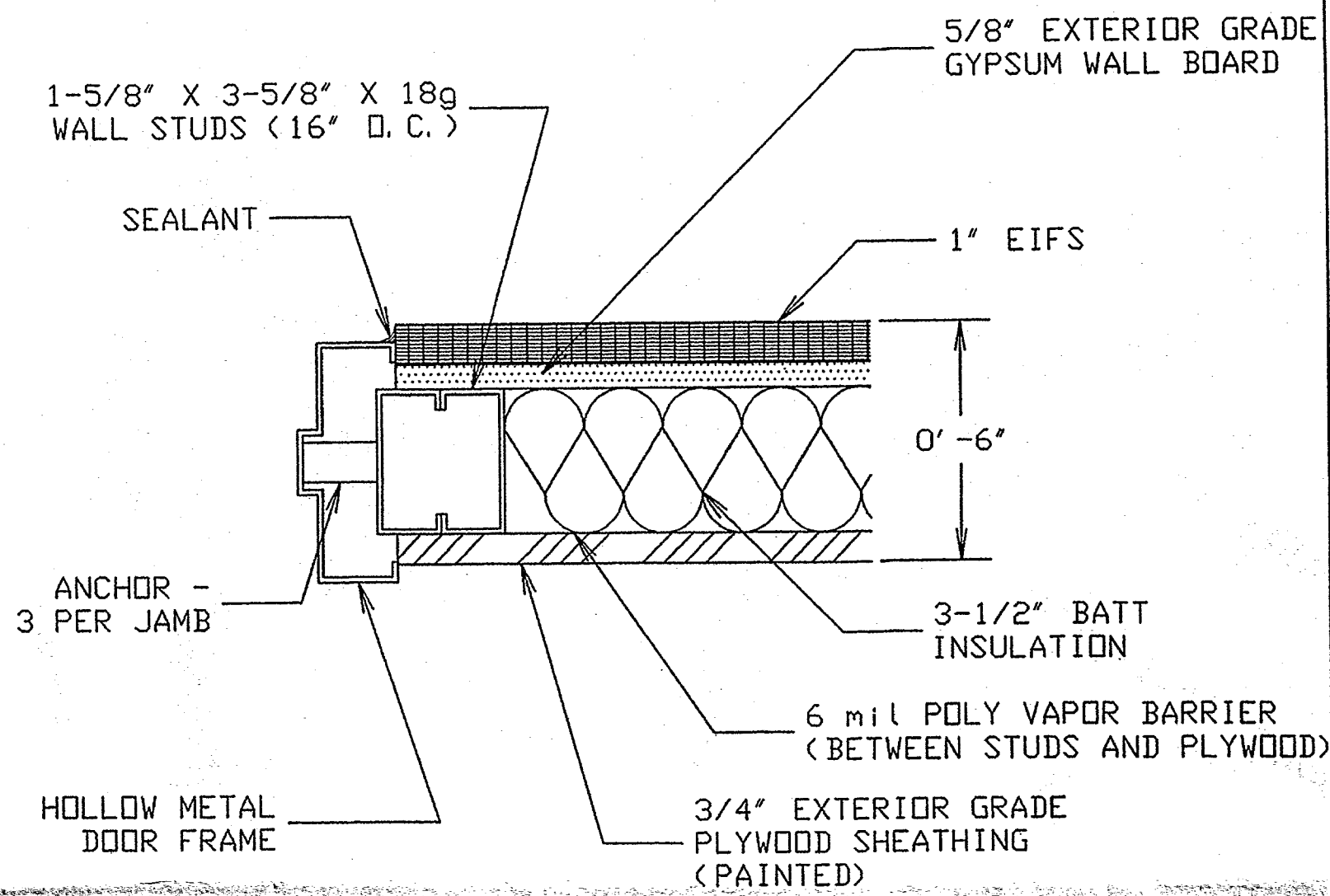
EI TEAM, LLC BUFFALO, NY  
Original  of   
cc:    
JUN 05 2000  
Job No: 99000002

CORRUGATED PROTECTED METAL STANDING SEAM PANELS GALVANIZED STEEL FIBERGLASS SHEETING ALUMINUM	E. M. ZIEGLER CO., INC. 3212 UNION ROAD BUFFALO, NEW YORK 14227	INSULATED WALL PANELS VENTILATORS LOUVERS DOORS, STEEL DECK BUILDING INSULATION	REVISION	DATE	DESCRIPTION	IT Corpoation BNIA Treatment Building Shell NFTA Project #31BL9901	SCALE 3" = 1'-0"	DATE May 18, 2000	CONTRACT NUMBER C5464	DRAWING NUMBER Z-3
			2							
			1							
			0	05/30/2000	Submit for approval					

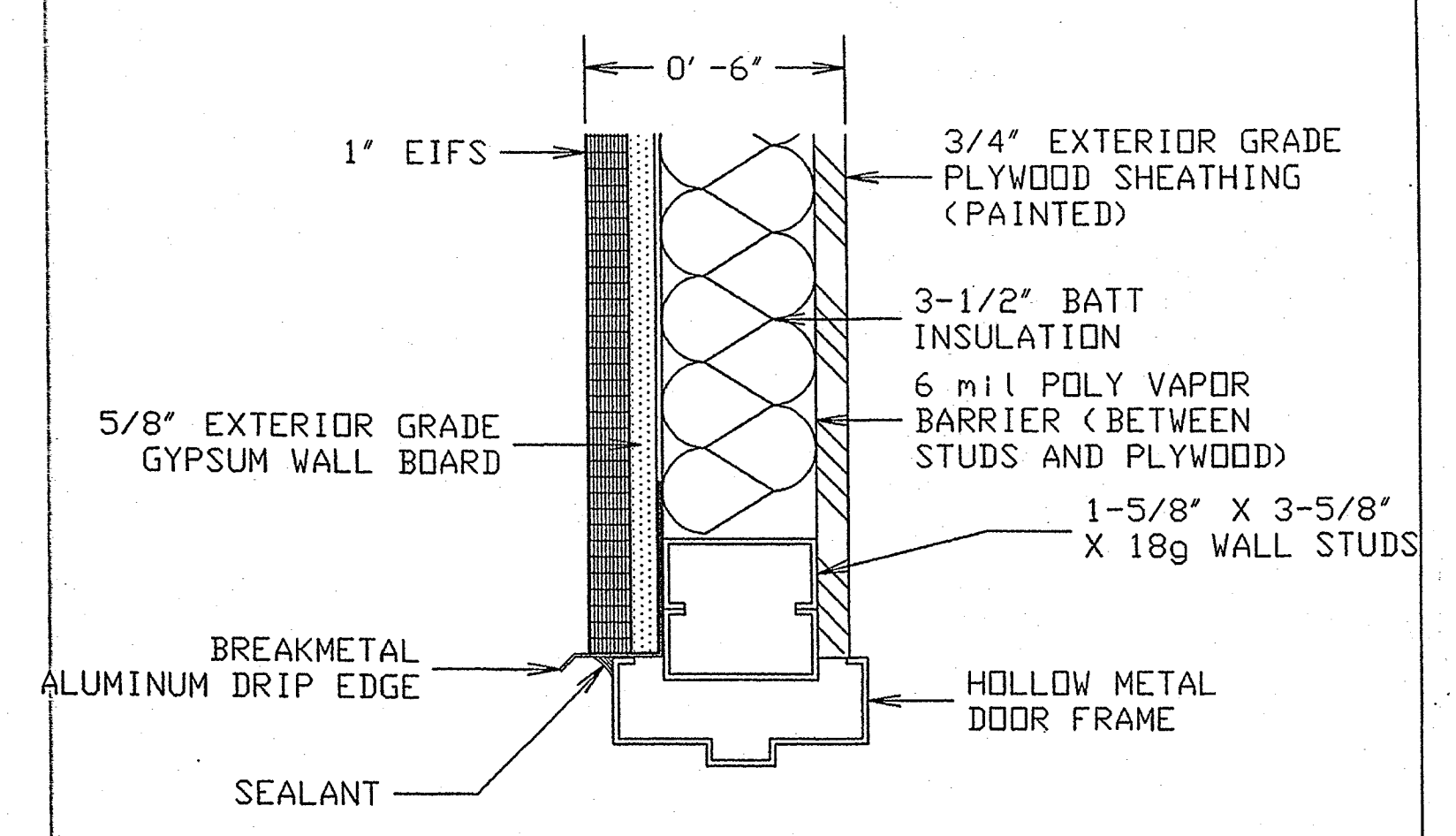




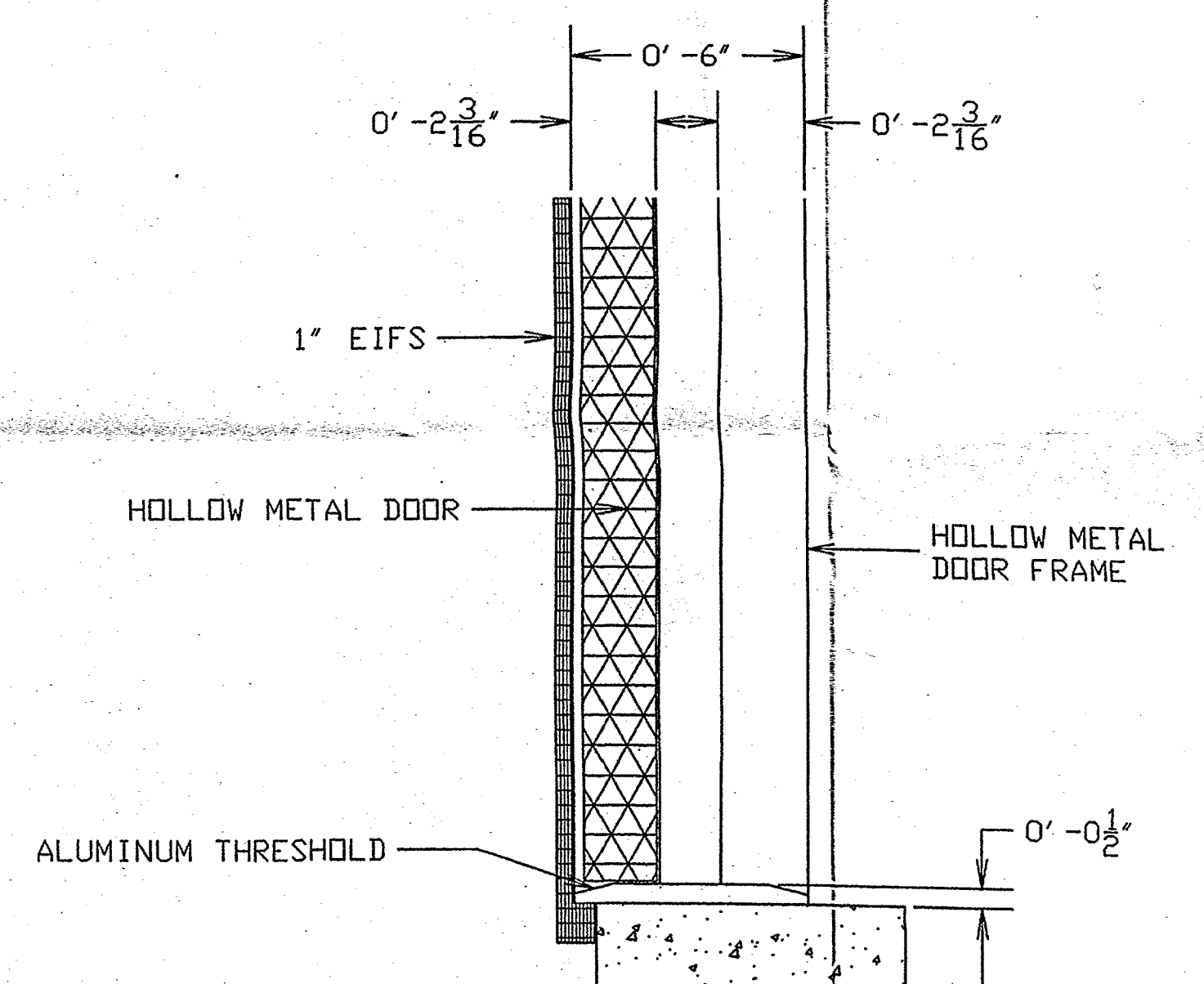
5 Detail @ RIDGE VENT  
Z-2 Scale : 3" = 1'-0"



6 Detail @ DOOR JAMB  
Z-2 Scale : 3" = 1'-0"



7 Detail @ DOOR HEAD  
Z-2 Scale : 3" = 1'-0"



8 Detail @ DOOR SILL  
Z-2 Scale : 3" = 1'-0"

REVIEWED AND APPROVED  
MAKE CORRECTIONS NOTED  
REVISE AND RESUBMIT  
REJECTED

REVIEW AND APPROVAL IS FOR CONFORMANCE WITH THE DESIGN CONCEPT OF THIS PROJECT. THIS SUBMITTAL HAS BEEN REVIEWED FOR GENERAL COMPLIANCE WITH CONTRACT DOCUMENTS. CONTRACTOR IS RESPONSIBLE FOR OBTAINING ALL NECESSARY PERMITS AND FOR INFORMATION THAT PERTAINS TO QUANTITIES, DIMENSIONS AND COORDINATION OF THIS WORK WITH ALL TRADES WHICH MAY BE AFFECTED THEREBY. THIS REVIEW AND APPROVAL IS NULL AND VOID IF SHOP DRAWINGS DEVIATE FROM CONTRACT DOCUMENTS AND DO NOT INDICATE OR NOTE DEVIATIONS.

7/6/2000  
LWH

EI TEAM LLC BUFFALO, NY  
Original  Copy   
cc  Accp.   
JUN 05 2000  
Job No. 990022.01

CORRUGATED PROTECTED METAL  
STANDING SEAM PANELS  
GALVANIZED STEEL  
FIBERGLASS SHEETING  
ALUMINUM

E. M. ZIEGLER CO., INC.  
3212 UNION ROAD  
BUFFALO, NEW YORK 14227

INSULATED WALL PANELS  
VENTILATORS  
LOUVERS  
DOORS, STEEL DECK  
BUILDING INSULATION

REVISION	DATE	DESCRIPTION
2		
1		
0	05/30/2000	Submit for approval

SCALE	DATE	CONTRACT NUMBER	DRAWING NUMBER
3" = 1'-0"	May 18, 2000	C5464	Z-4

IT Corporation  
BNIA Treatment Building Shell  
NFTA Project #31BL9901



# BNIA Treatment Building Shell

NFTA Project #31BL9901

Architect

**TVGA Engineering**  
 One Thousand Maple Road  
 Elma, New York 14059-0264

Customer

**IT Corporation**  
 2790 Mosside Boulevard  
 Monroeville, Pennsylvania 15146-2792

## GENERAL NOTES

Roof panel shall be STYLERIB, 22g G-90 galvanized substrate, XLE "Bright Silver Metallic" color (PPG #4ZM51263) as manufactured by CENTRIA Architectural Systems.

Breakmetal flashing at roof, including gutters and downspouts, shall be fabricated, in maximum 120" lengths, from material exactly matching the STYLERIB roofing - 22g G-90 galvanized, XLE "Bright Silver Metallic".

Subgirts at roof shall be 1/2" deep, hat-type, minimum 18g G-90 galvanized.

Profiled foam roof panel closures shall be as required for proper panel installation.

## DRAWING LOG

DRAWING	DESCRIPTION	REV	DATE
Z-1	COVER PAGE	0	05/30/2000
Z-2	PLAN & ELEVATIONS	0	05/30/2000
Z-3	DETAILS	0	05/30/2000
Z-4	DETAILS	0	05/30/2000

E I TEAM	
REVIEWED AND APPROVED	<input checked="" type="checkbox"/>
MAKE CORRECTIONS NOTED	<input type="checkbox"/>
REVISE AND RESUBMIT	<input type="checkbox"/>
REJECTED	<input type="checkbox"/>

REVIEW AND APPROVAL IS FOR CONFORMANCE WITH THE DESIGN CONCEPT OF THIS PROJECT. THIS SUBMITTAL HAS BEEN REVIEWED FOR GENERAL COMPLIANCE WITH CONTRACT DOCUMENTS. CONTRACTOR IS RESPONSIBLE FOR QUANTITIES, DIMENSIONS AND COMPLIANCE WITH CONTRACT DOCUMENTS AND FOR INFORMATION THAT PERTAINS TO FABRICATION PROCESS CONSTRUCTION TECHNIQUES AND COORDINATION OF THIS WORK WITH ALL TRADES WHICH WILL BE AFFECTED THEREBY. THIS REVIEW AND APPROVAL IS NULL AND VOID IF SHOP DRAWINGS DEVIATE FROM CONTRACT DOCUMENTS AND DO NOT INDICATE OR NOTE DEVIATIONS.

7/5/00 DATE WCH

REVIEWED AND APPROVED  E I TEAM  
 MAKE CORRECTIONS NOTED   
 REVISE AND RESUBMIT   
 REJECTED   
 REVIEW AND APPROVAL IS FOR CONFORMANCE WITH THE DESIGN CONCEPT OF THIS PROJECT. THIS SUBMITTAL HAS BEEN REVIEWED FOR GENERAL COMPLIANCE WITH CONTRACT DOCUMENTS. CONTRACTOR IS RESPONSIBLE FOR QUANTITIES, DIMENSIONS AND COMPLIANCE WITH CONTRACT DOCUMENTS AND FOR INFORMATION THAT PERTAINS TO FABRICATION PROCESS CONSTRUCTION TECHNIQUES AND COORDINATION OF THIS WORK WITH ALL TRADES WHICH WILL BE AFFECTED THEREBY. THIS REVIEW AND APPROVAL IS NULL AND VOID IF SHOP DRAWINGS DEVIATE FROM CONTRACT DOCUMENTS AND DO NOT INDICATE OR NOTE DEVIATIONS.  
 WCH DATE 6/7/00

**TVGA**  
 JUL 6 2000  
 RECEIVED

E I TEAM, LLC  
 Buffalo, NY  
 CC: \_\_\_\_\_  
 JUN 05 2000  
 990099-01

RECEIVED  
 MAY 31 2000  
 TVGA

CORRUGATED PROTECTED METAL STANDING SEAM PANELS GALVANIZED STEEL FIBERGLASS SHEETING ALUMINUM	<b>E.M.ZIEGLER CO., INC.</b> 3212 UNION ROAD BUFFALO, NEW YORK 14227	INSULATED WALL PANELS VENTILATORS LOUVERS DOORS, STEEL DECK BUILDING INSULATION	REVISION	DATE	DESCRIPTION	SCALE	DATE	CONTRACT NUMBER	DRAWING NUMBER	
			2							
			1							
			0	05/30/2000	Submit for Approval	NONE	May 18, 2000	C5464	Z-1	

IT Corporation  
 BNIA Treatment Building Shell  
 NFTA Project #31BL9901