

## Remedial Action Work Plan Former Safety Kleen Dry Cleaners

Site # 336078, Vails Gate  
Orange County, New York

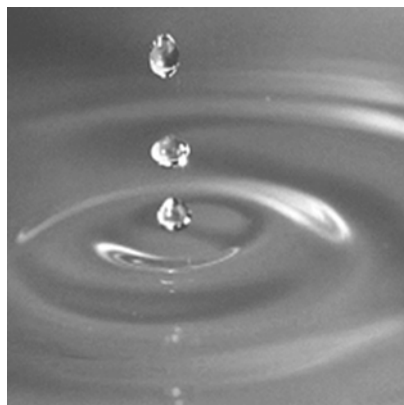
**Prepared for:**

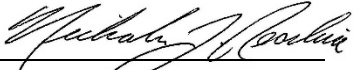
The Rosen Group  
P.O. Box 188  
Claymont, DE 19703

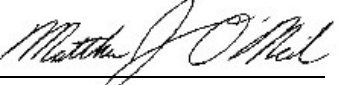
**Prepared by:**

GEI Consultants, Inc., P.C.  
455 Winding Brook Drive, Suite 201  
Glastonbury, CT 06033

July 26, 2019  
Project 1602600



  
Nicholas J. Recchia, P.G.  
Project Manager/Hydrogeologist

  
Matthew J. O'Neil, P.E.  
Senior Engineer

# Table of Contents

---

<b>Professional Engineer Certification</b>	<b>ii</b>
<b>1. Background and Site Description</b>	<b>1</b>
1.1 Purpose	1
1.2 Site Description	1
1.3 Summary of Pre-Design Investigation (PDI)	1
<b>2. Remedial Action Goals and Objectives</b>	<b>3</b>
2.1 Standards, Criteria, and Guidance	3
2.2 Remedial Goals	3
2.3 Remedial Action Objectives	3
<b>3. Soil Excavation and ISCR Scope</b>	<b>5</b>
3.1 Utility Clearance	5
3.2 Soil Excavation	5
3.2.1 Sediment and Erosion Control	6
3.2.2 Transportation and Off-Site Disposal	6
3.3 Backfill	7
3.4 Community Air Monitoring	7
3.5 ISCR for Perched Groundwater	7
3.5.1 ISCR Well Installation	7
3.5.2 ISCR Products and Dosage	7
3.6 Schedule	8
<b>4. Final Engineering Report</b>	<b>9</b>

## Figures

---

1. Site Location Map
2. Soil Sampling Locations
3. Excavation Plan
4. Details

## Appendices

---

- A. Supplemental PDI Report and NYSDEC Approval
- B. CAMP Requirements
- C. In-Situ Chemical Reduction Products Specification

Remedial Action Work Plan  
Former Safety Kleen Dry Cleaners  
Vails Gate, NY  
July 26, 2019

## Professional Engineer Certification

---

I, Matthew J. O'Neil, certify that I am currently a NYS registered professional engineer and that this Remedial Action Work Plan was prepared in accordance with all applicable statutes and regulations and in substantial conformance with the DER Technical Guidance for Site Investigation and Remediation (DER-10).



July 26, 2019

Date

---

Matthew J. O'Neil, P.E.  
GEI Consultants, Inc., P.C.  
New York State Professional Engineer  
License Number 091317

It is a violation of Article 145 of New York State Education Law for any person to alter this document in any way without the express written verification of adoption by any New York State licensed engineer in accordance with Section 7209(2), Article 145, New York State Education Law.

# 1. Background and Site Description

---

## 1.1 Purpose

GEI Consultants, Inc., P.C. (GEI), on behalf of VGR Associates, has prepared this Remedial Action Work Plan (RAWP) in accordance with the New York State Department of Environmental Conservation (NYSDEC)-approved Supplemental Pre-Design Investigation (PDI) for the Former Safety Kleen Dry Cleaners Site in Vails Gate, New York (the Site) (**Figure 1**) and the comments received from the NYSDEC on May 3, 2019. VGR Associates is proposing to remove impacted soils in the vicinity of the former dry cleaner equipment to a target depth of 10-12 feet below ground surface (bgs), install In-Situ Chemical Reduction (ISCR) injection wells in the excavation, and inject ISCR products to remediate the perched groundwater around the former Monitoring Well-7 (MW-7). The goal of this work is to remove the impacted soils where tetrachloroethene (PCE) exceedances were detected above the Commercial Use Soil Cleanup Objectives (SCOs) and to remediate the remaining perched groundwater using ISCR.

## 1.2 Site Description

The former Safety Kleen Dry Cleaners was located in Suite 700 at 115 Temple Hill Road in Vails Gate, NY. The Site is subject to an Order on Consent and Administrative Settlement between VGR Associates, LLC and the NYSDEC dated March 11, 2011 for a dry-cleaning fluid release. Suite 700 was demolished in June/July 2018 and the space has been converted to a parking lot access roadway in accordance with the Site redevelopment plan. The remainder of the Site is the Price Chopper Shopping Plaza, which includes a multi-tenant retail shopping center. **Figure 2** shows the Site plan including the location of the Former Safety Kleen Dry Cleaners.

## 1.3 Summary of Pre-Design Investigation (PDI)

A Membrane Interface Probe (MIP) investigation was conducted by GEI from July 23 to July 26, 2018 to screen the Site for chlorinated volatile organic compounds (VOCs) and analyze soil samples collected based on the MIP survey. Results of the MIP survey indicated the potential presence of chlorinated VOCs in the vicinity of the former dry cleaner equipment. One grab soil sample was collected from each of the following intervals and analyzed for VOCs:

- 3-4 feet bgs
- 5-6 feet bgs
- 9-10 feet bgs

PCE and methylene chloride were detected in concentrations that were below the Unrestricted Use SCOs. All other analytes identified in the soil analytical data were also below the Unrestricted Use SCOs. The results were summarized in the Pre-Design Investigation Summary Report dated August 28, 2018, submitted to the NYSDEC.

On March 28 and 29, 2019, additional soil sampling was conducted in the vicinity of the former dry cleaner equipment to confirm the limits of the NYSDEC's Proposed Remedial Action Plan (PRAP) excavations. A total of 27 grab soil samples were collected from the following intervals and analyzed for VOCs:

- 0-4 feet bgs
- 4-7.5 feet bgs
- 7.5-8.5 feet bgs
- 8.5-9.5 feet bgs
- 9.5-12 feet bgs

PCE was detected above the Commercial Use SCOs in soil samples collected from one boring location from 7.5-8.5 feet bgs and 8.5-9.5 feet bgs. PCE and/or acetone were detected above the Unrestricted Use SCOs in 12 soil samples. The results of this additional soil sampling were summarized in the Supplemental Pre-Design Investigation Summary Report dated April 22, 2019, submitted to the NYSDEC.

The MIP boring locations and the Supplemental PDI boring locations are shown in **Figure 2**. Based on the Supplemental PDI results, the NYSDEC approved the amended excavation limits shown in **Figure 3**. A copy of the Supplemental PDI Summary Report and the NYSDEC comments are included in **Appendix A**.

## **2. Remedial Action Goals and Objectives**

---

### **2.1 Standards, Criteria, and Guidance**

Standards, Criteria and Guidance values (SCGs) are defined in the 2010 NYSDEC Draft Department of Environmental Remediation (DER)-10. Standards and criteria values are New York State regulations or statutes, which dictate cleanup standards. Guidance values are not legal requirements. They are values that are determined to be applicable to the Site and should be considered, based on professional judgment.

### **2.2 Remedial Goals**

The NYSDEC remedial program identifies the goal for site remediation under Title 6 New York Codes, Rules and Regulations (6 NYCRR) Sub-Part 375-2.8(a) as:

“...restore that site to pre-disposal conditions, to the extent feasible. At a minimum, the remedy selected shall eliminate or mitigate all significant threats to the public health and to the environment presented by contaminants disposed at the site through the proper application of scientific and engineering principles...”

The Site Remedial Goals, therefore, are (1) eliminate or mitigate all significant threats to public health and the environment; and, (2) remove or eliminate, to the extent feasible, identifiable sources of contamination, regardless of intended use of the Site or presumed risk.

### **2.3 Remedial Action Objectives**

Remedial Action Objectives (RAOs) are medium-specific or operable-unit specific objectives for the protection of public health and the environment. The RAOs for the Site are consistent with the Site Remedial Goals presented above. Based on the findings of the Remedial Investigations, the following Remedial Action Objectives have been developed for the Site:

#### **2.3.1 *Groundwater***

RAOs for Public Health Protection:

- Prevent ingestion of groundwater with contaminant levels exceeding drinking water standards.
- Prevent, to the extent practicable, contact with, or inhalation of volatiles, from contaminated groundwater.

RAOs for Environmental Protection:

- Restore groundwater aquifer to pre-release conditions, to the extent practicable.
- Remove the source of groundwater contamination, to the extent practicable.

### **2.3.2 Soil**

RAOs for Public Health Protection:

- Prevent ingestion/direct contact with contaminated soil.
- Prevent, to the extent practicable, inhalation exposure to contaminants volatilizing from soil.

### **2.3.3 Soil Vapor**

RAOs for Public Health Protection:

- Mitigate impacts to public health resulting from existing, or the potential for, soil vapor intrusion into buildings at a site.

### 3. Soil Excavation and ISCR Scope

---

The excavation conducted under this RAWP will be limited to the criteria established in the NYSDEC-approved Supplemental Pre-Design Investigation listed below:

- Soil excavation to a depth of 10-12 feet bgs in approximately 240 square foot area including impacts observed at PDI-SB-102, PDI-SB-103, PDI-SB-104, and PDI-SB-106.
- Installation of approximately 2-5 feet of imported clean gravel at the bottom of the excavation.
- The remainder of the excavation will be backfilled with reused material or imported clean soil.
- Installation of two 4-inch injection wells during backfill, screened at the bottom 5 feet, with flush-mount covers.

The Contractor will prepare the Site for the planned excavation. Where possible, the Contractor will utilize existing site controls such as existing fencing. Additional site preparation activities necessary to provide support for the soil excavation, which may include the establishment of work zones, decontamination facilities, and installation of temporary fencing/barriers around the work area to prevent access during the work. Temporary site facilities may include portable toilets, material storage, and equipment lay down areas.

#### 3.1 Utility Clearance

Prior to the start of intrusive activities, the Contractor will perform utility clearance at the Site. This will include the use of Ground Penetrating Radar (GPR) at the perimeter of each excavation area and in the locations of confirmation samples. The locations of any known or suspected utilities will be hand cleared to confirm the utility location and alignment prior to the start of work. The contractor will be required to protect any utilities identified within the excavation areas during the work.

#### 3.2 Soil Excavation

The area surrounding the former dry cleaner equipment will be excavated to the target depth of 10 to 12 feet bgs for a total of approximately 100 cubic yards. The planned soil excavation limits are shown in **Figure 3**. Analytical sampling conducted during the PDI have confirmed the horizontal extent and the depth of the excavation required to meet the established remedial goals. Therefore, additional confirmation sampling at the base of the excavation will not be completed.



Excavated materials will be segregated based on the depth of the excavation. Material located above the impacts identified in the PDI will be screened at 1-foot intervals with a PID and stockpiled for reuse on site. This includes the following materials:

- Material from 0-4 feet bgs across the entire excavation
- Material from 4-7.5 feet bgs in the immediate vicinity of PDI-SB-102 and PDI-SB-103
- Material from 4-9.5 feet bgs in the immediate vicinity of PDI-SB-106

Material from impacted zones will be direct-loaded and transported off site for disposal. This includes the following materials:

- Material from 9.5-12 feet bgs across the entire excavation
- Material from 7.5-12 feet bgs at PDI-SB-102 and PDI-SB-103
- Material from 4-12 feet bgs at PDI-SB-104

Any impacted material that cannot be direct-loaded for disposal, will be placed on a temporary stockpile in accordance with the typical impacted soil stockpile detail on **Figure 4**.

All stockpiles will be properly secured and covered at the end of each work day. Dust suppression measures such as water spraying and/or suppressant foams will be employed to control any fugitive dust emissions.

### **3.2.1 Sediment and Erosion Control**

The excavation area is under a paved section of the property and storm water drainage is handled primarily through surface runoff to local storm water drainage features. All storm water runoff from the exterior of the excavation area will be collected, routed, and discharged into the local drainage structures prior to contact with any impacted materials.

Hay bales will be installed around the entire perimeter of the remediation including all areas to be excavated as part of the erosion and sediment control measures (**Figure 4**). All trucks shall have watertight compartments to prevent seepage from wet soil from leaking onto public streets.

### **3.2.2 Transportation and Off-Site Disposal**

All trucks transporting impacted soil from the Site must have lined beds to prevent leakage, bed covers, and watertight gates. All soil transported for off-site disposal must be performed by licensed haulers in accordance with federal, state, and local regulations, including 6 NYCRR Part 364. All trucks will be properly placarded. All excavated impacted material will be transported to either Clean Earth Recycling and Disposal Solutions, New Jersey; Soil Safe, Inc., New Jersey; or Colonie Landfill, New York.

### 3.3 Backfill

The excavation will be backfilled with materials meeting the NYSDEC Part 375 Unrestricted Use Criteria. A Request to Import/Reuse Fill or Soil form will be prepared and submitted to the Department for any material imported to the Site for use as backfill. Imported gravel, excavated material that have been screened for on-site reuse, and imported clean soil will be placed as backfill in preparation for Site restoration with asphalt surface per redevelopment requirements as depicted in **Figure 4**. A geotextile filter fabric will be placed above the gravel layer prior to placement of re-used and/or imported clean soil. The material will be placed in 1-foot lifts and compacted for the final restoration.

### 3.4 Community Air Monitoring

Intrusive activities at remediation sites typically generate airborne dust and vapors (VOCs) that have the potential to migrate off site. In recognition of this potential hazard, the New York State Department of Health (NYSDOH) has promulgated a Community Air Monitoring Plan (CAMP) that establishes action levels of respirable dust and VOCs that are protective of the surrounding community. The requirements of the CAMP are contained in Appendix 1A of the 2010 Draft DER-10 Technical Guidance for Site Investigation and Remediation. A copy of the NYSDEC requirements are included in **Appendix B**. The CAMP is intended to supplement but be discrete from the air-monitoring program implemented by the Contractor for purposes of evaluating site worker health and safety. The CAMP procedure will be implemented as described in the NYSDEC-approved Interim Remedial Measure (IRM) Work Plan.

### 3.5 ISCR for Perched Groundwater

#### 3.5.1 *ISCR Well Installation*

Two 4-inch ISCR injection wells will be installed in the excavation area for the injection of ISCR products. Each well will be installed in a temporary outer casing installed during backfill. This will allow the installation of the 4-inch wells within the outer casing following backfill for the application of the ISCR products. The wells will be installed with 5-foot long 20-slot screen SCH 40 polyvinyl chloride (PVC) and a solid PVC riser to grade. The well will be finished with flush-mount covers as shown on **Figure 4**. The outer casing will be removed during the installation of the well.

#### 3.5.2 *ISCR Products and Dosage*

After the installation of the ISCR injection wells, the following remediation products from REGENESIS (**Appendix C**) would be injected to remediate the perched groundwater around the former MW-7:

- 3-D Microemulsion<sup>®</sup> – Factory Emulsified (3DME<sup>®</sup>)
- AquaZVI<sup>™</sup>
- Bio-Dechlor INOCULUM<sup>®</sup> PLUS (BDI PLUS<sup>®</sup>)

The contaminants of concern at the Site are Tetrachloroethylene (PCE) and its daughter products (e.g. Trichloroethylene [TCE], 1,2-dichloroethylene [1,2-DCE], and Vinyl Chloride [VC]) which can be remediated to non-toxic end products by reductive dechlorination. 3DME<sup>®</sup> is a reducing agent that will sorb onto the soil surface and dilutes in existing pore water. These 3DME<sup>®</sup> characteristics provide a prolonged release of electrons in the aquifer required for anaerobic biodegradation of PCE and its daughter products. AquaZVI<sup>™</sup> is a reagent that stimulates anaerobic biodegradation by creating a reducing environment favorable for reductive dechlorination such as a neutral pH and low oxidation-reduction potential (ORP) in the aquifer. BDI PLUS<sup>®</sup> is an enriched natural consortium containing species of *Dehalococcoides sp.* (DHC) known to completely reduce chlorinated solvents to non-toxic end products such as ethene.

These remediation products will be injected to target the perched groundwater. This will be achieved by injecting into the approximately 2 to 5-foot depth of gravel backfill placed in the excavation. Based on this area and the VOCs concentrations, the application dosage was calculated and is summarized in the Table below.

ISCR Product	Product Dosage	Application Volume – Mixed (gallons)
3DME <sup>®</sup>	300 pounds (pounds)	360
AquaZVI <sup>™</sup>	250 pounds (pounds)	19
BDI Plus <sup>®</sup>	4.5 Liters (Liter)	45
<b>Total Volume of Injected Products</b>		<b>424 gallons</b>

### 3.6 Schedule

Work will commence following approval of this Work Plan and will be conducted to minimize the impacts on the community.

Post application groundwater sampling will be conducted within 6 months of application.

## 4. Final Engineering Report

---

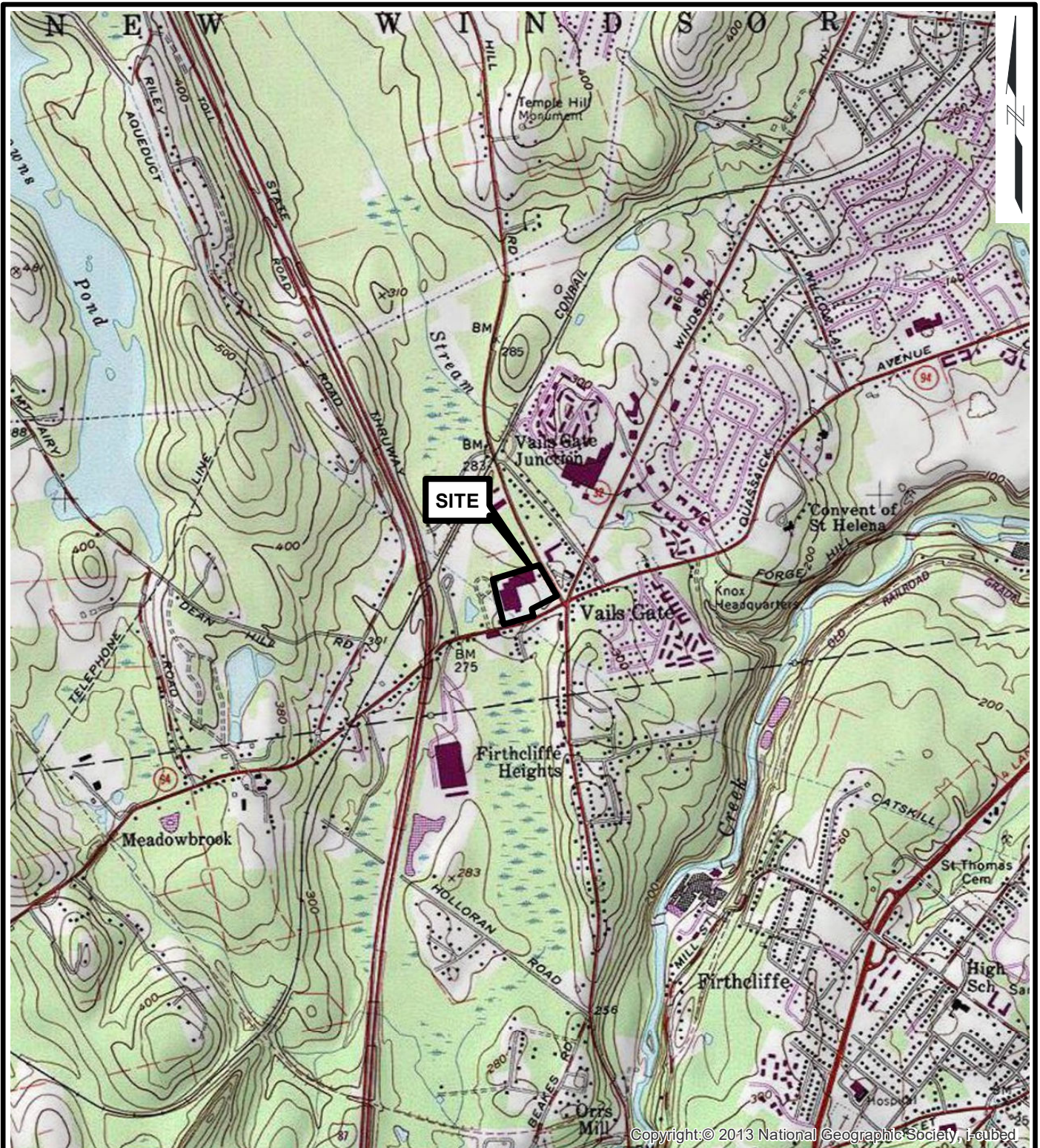
Following the completion of work, a Final Engineering Report will be developed to document the excavation and the ISCR remedial components. This documentation will include a summary of the field program and documentation of any changes to the Work Plan.

Specific components of the Report will include:

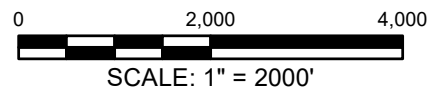
- The actual volumes of excavated material;
- Summary of construction work and changes in work scope;
- Shipping manifests and bills of lading (contaminated soil, gravel, and imported clean fill);
- Summary of Air Monitoring Data collected during the remedial activities;
- Certification that material transported off site was disposed of at a properly-licensed disposal or treatment facility;
- ISCR well installation; and
- ISCR products and dosage implementation.

# Figures

---



**SOURCE:**  
 1. USGS TOPOGRAPHIC MAP ACCESSED  
 VIA ARCGIS ONLINE SERVICES.



Remedial Action Work Plan  
 Former Safety Kleen Dry Cleaner  
 115 Temple Hill Road  
 Vails Gate, New York

The Rosen Group  
 Claymont, Delaware

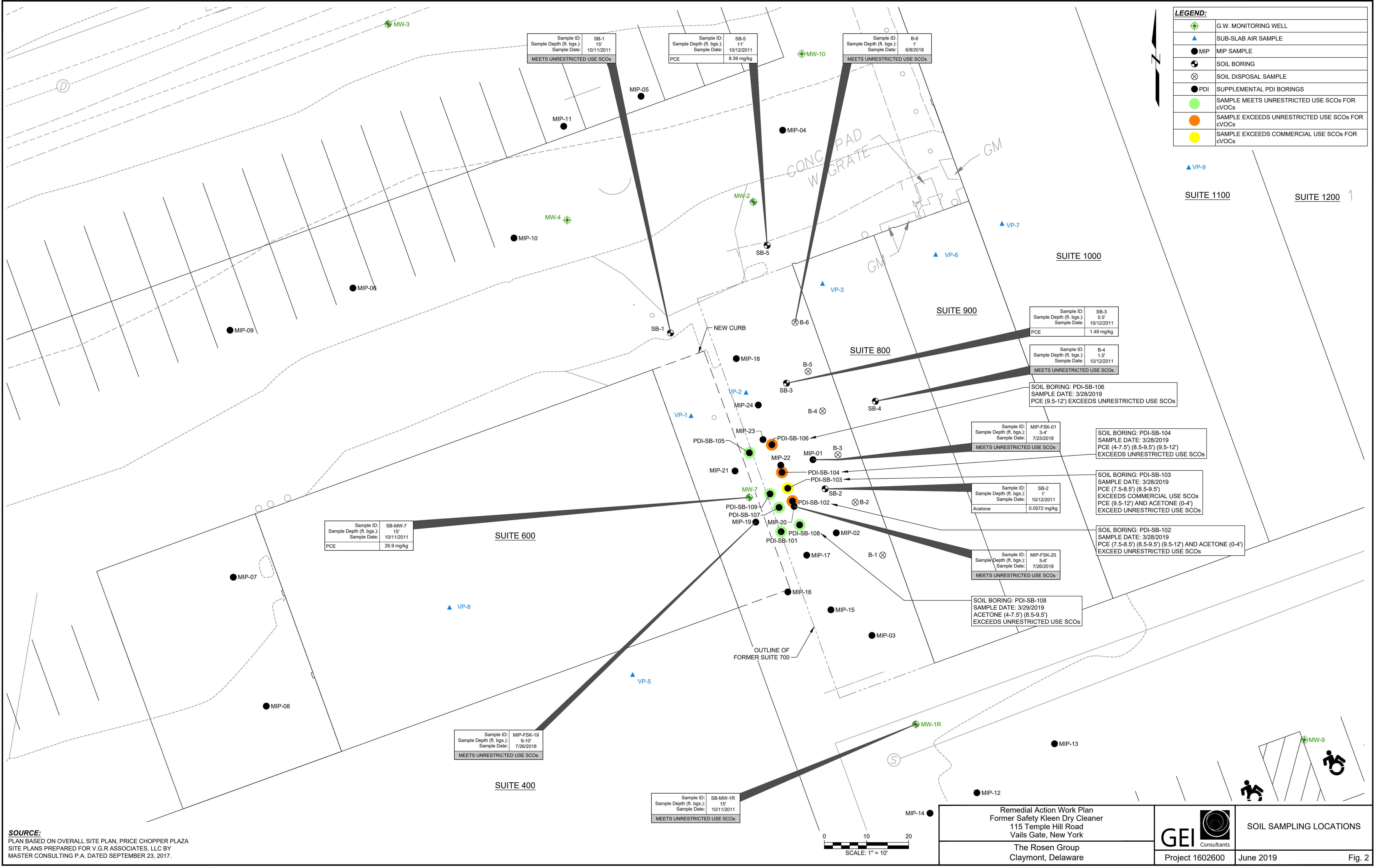


SITE LOCATION MAP

Project 1602600

June 2019

Fig. 1



**SOURCE:**  
 PLAN BASED ON OVERALL SITE PLAN, PRICE CHOPPER PLAZA  
 SITE PLANS PREPARED FOR V.G.R ASSOCIATES, LLC BY  
 MASTER CONSULTING P.A. DATED SEPTEMBER 23, 2017.

Remedial Action Work Plan  
 Former Safety Kleen Dry Cleaner  
 115 Temple Hill Road  
 Vails Gate, New York

The Rosen Group  
 Claymont, Delaware

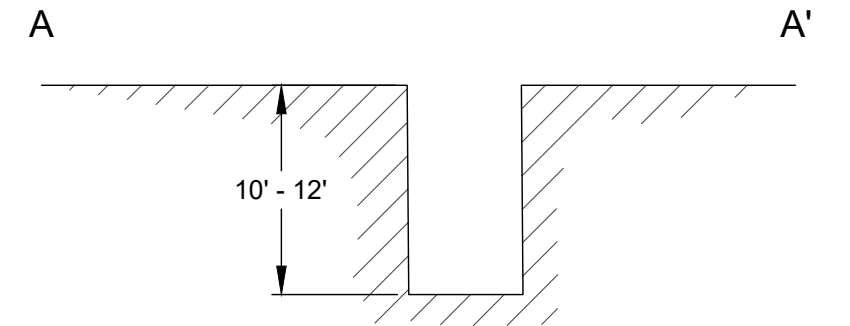
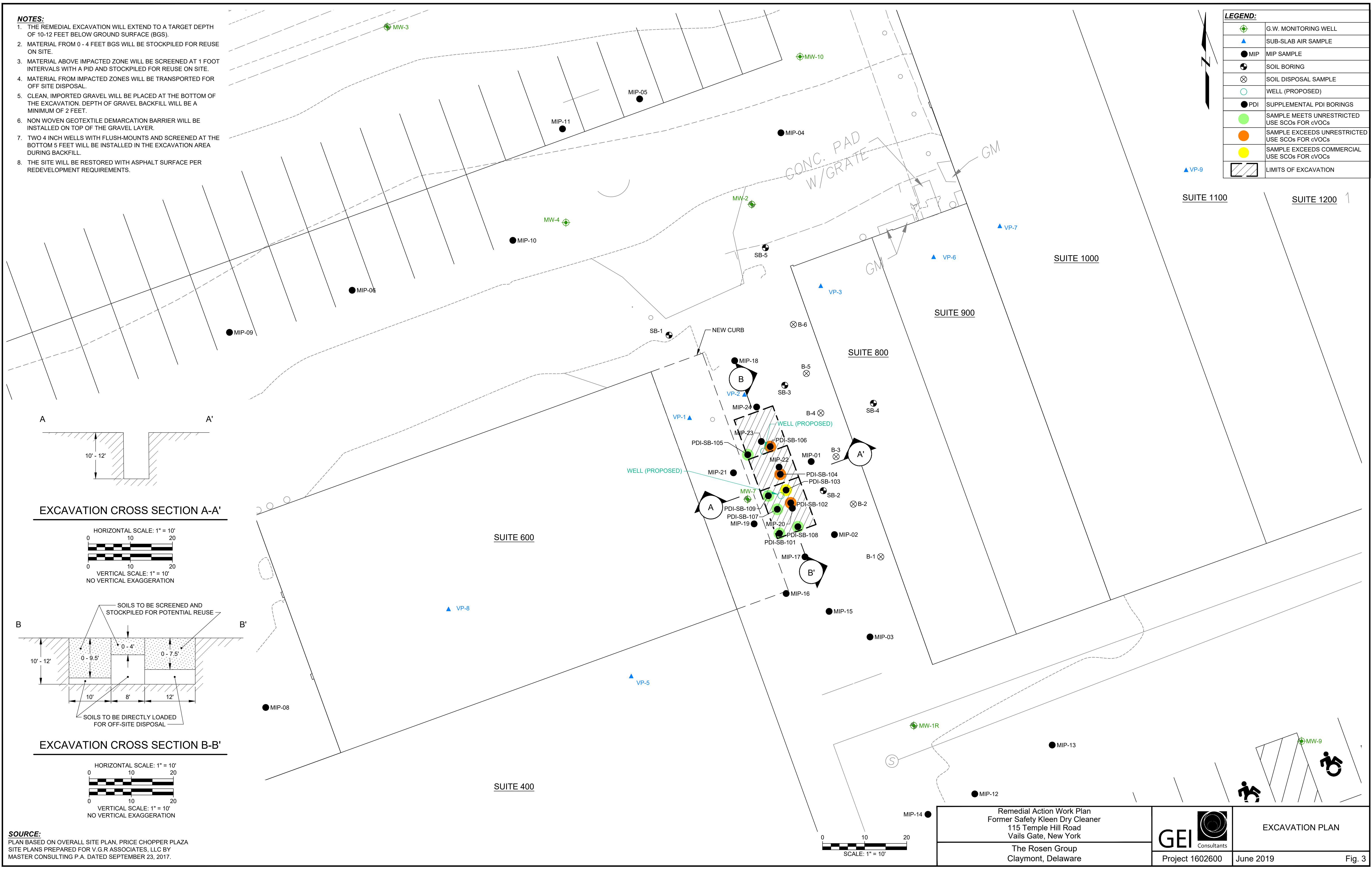
**GEI** Consultants

SOIL SAMPLING LOCATIONS

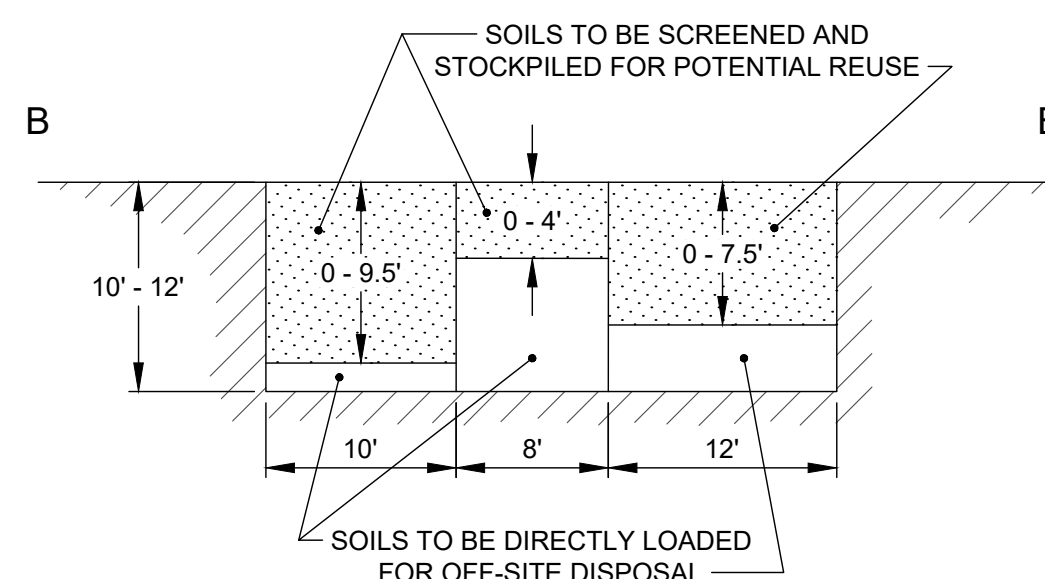
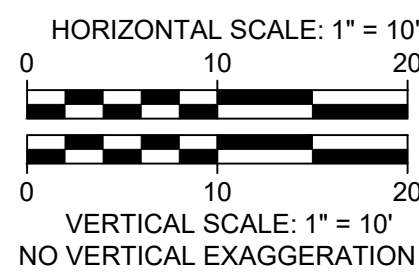
Project 1602600 June 2019 Fig. 2

- NOTES:**
1. THE REMEDIAL EXCAVATION WILL EXTEND TO A TARGET DEPTH OF 10-12 FEET BELOW GROUND SURFACE (BGS).
  2. MATERIAL FROM 0 - 4 FEET BGS WILL BE STOCKPILED FOR REUSE ON SITE.
  3. MATERIAL ABOVE IMPACTED ZONE WILL BE SCREENED AT 1 FOOT INTERVALS WITH A PID AND STOCKPILED FOR REUSE ON SITE.
  4. MATERIAL FROM IMPACTED ZONES WILL BE TRANSPORTED FOR OFF SITE DISPOSAL.
  5. CLEAN, IMPORTED GRAVEL WILL BE PLACED AT THE BOTTOM OF THE EXCAVATION. DEPTH OF GRAVEL BACKFILL WILL BE A MINIMUM OF 2 FEET.
  6. NON WOVEN GEOTEXTILE DEMARCATION BARRIER WILL BE INSTALLED ON TOP OF THE GRAVEL LAYER.
  7. TWO 4 INCH WELLS WITH FLUSH-MOUNTS AND SCREENED AT THE BOTTOM 5 FEET WILL BE INSTALLED IN THE EXCAVATION AREA DURING BACKFILL.
  8. THE SITE WILL BE RESTORED WITH ASPHALT SURFACE PER REDEVELOPMENT REQUIREMENTS.

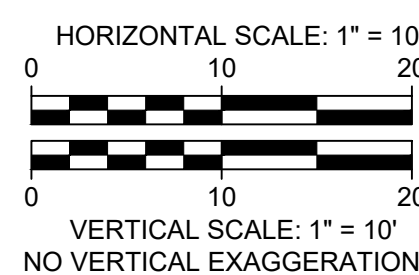
LEGEND:	
	G.W. MONITORING WELL
	SUB-SLAB AIR SAMPLE
	MIP SAMPLE
	SOIL BORING
	SOIL DISPOSAL SAMPLE
	WELL (PROPOSED)
	SUPPLEMENTAL PDI BORINGS
	SAMPLE MEETS UNRESTRICTED USE SCOs FOR cVOCs
	SAMPLE EXCEEDS UNRESTRICTED USE SCOs FOR cVOCs
	SAMPLE EXCEEDS COMMERCIAL USE SCOs FOR cVOCs
	LIMITS OF EXCAVATION



EXCAVATION CROSS SECTION A-A'



EXCAVATION CROSS SECTION B-B'



**SOURCE:**  
 PLAN BASED ON OVERALL SITE PLAN, PRICE CHOPPER PLAZA  
 SITE PLANS PREPARED FOR V.G.R ASSOCIATES, LLC BY  
 MASTER CONSULTING P.A. DATED SEPTEMBER 23, 2017.

Remedial Action Work Plan  
 Former Safety Kleen Dry Cleaner  
 115 Temple Hill Road  
 Vails Gate, New York

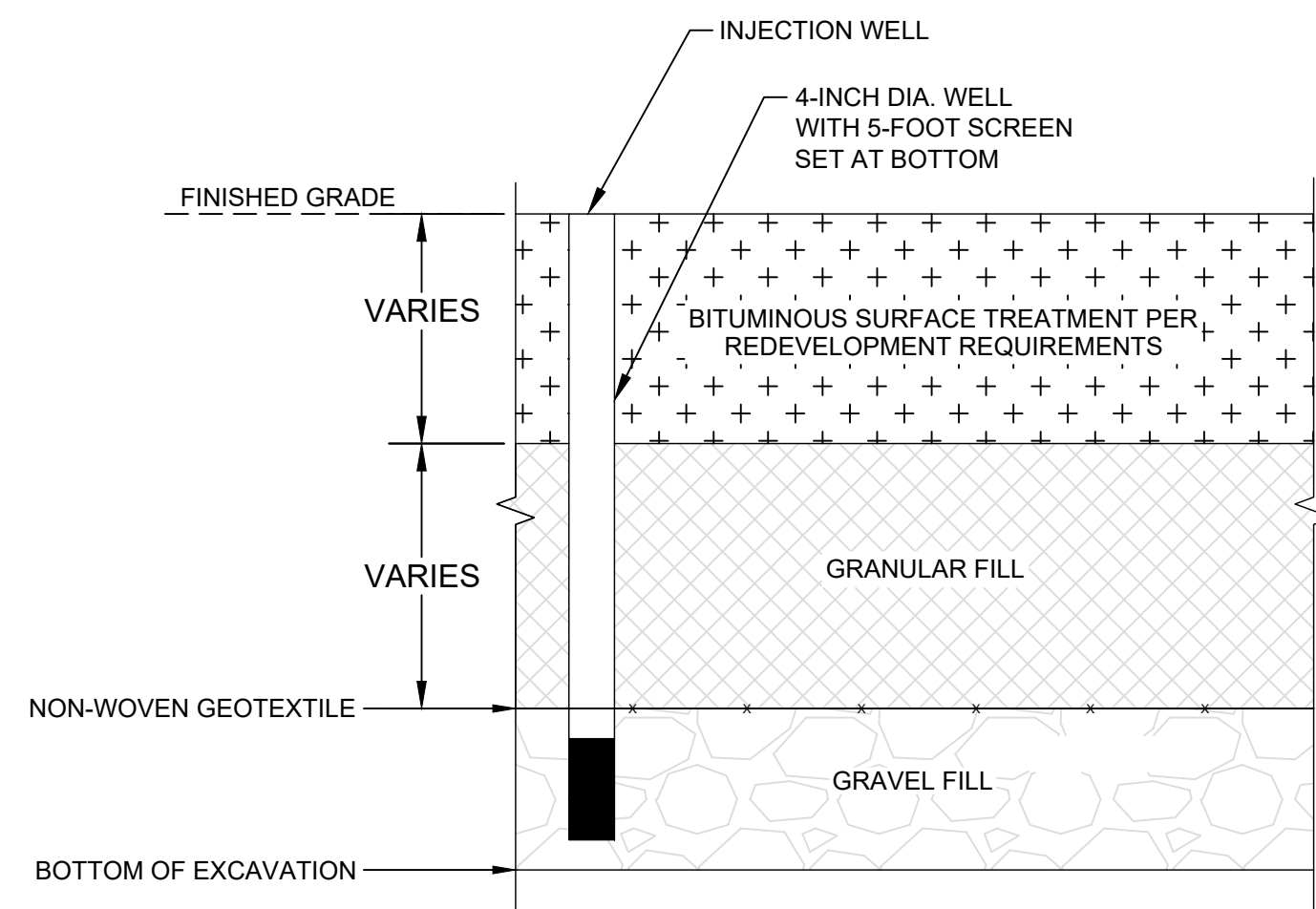
The Rosen Group  
 Claymont, Delaware



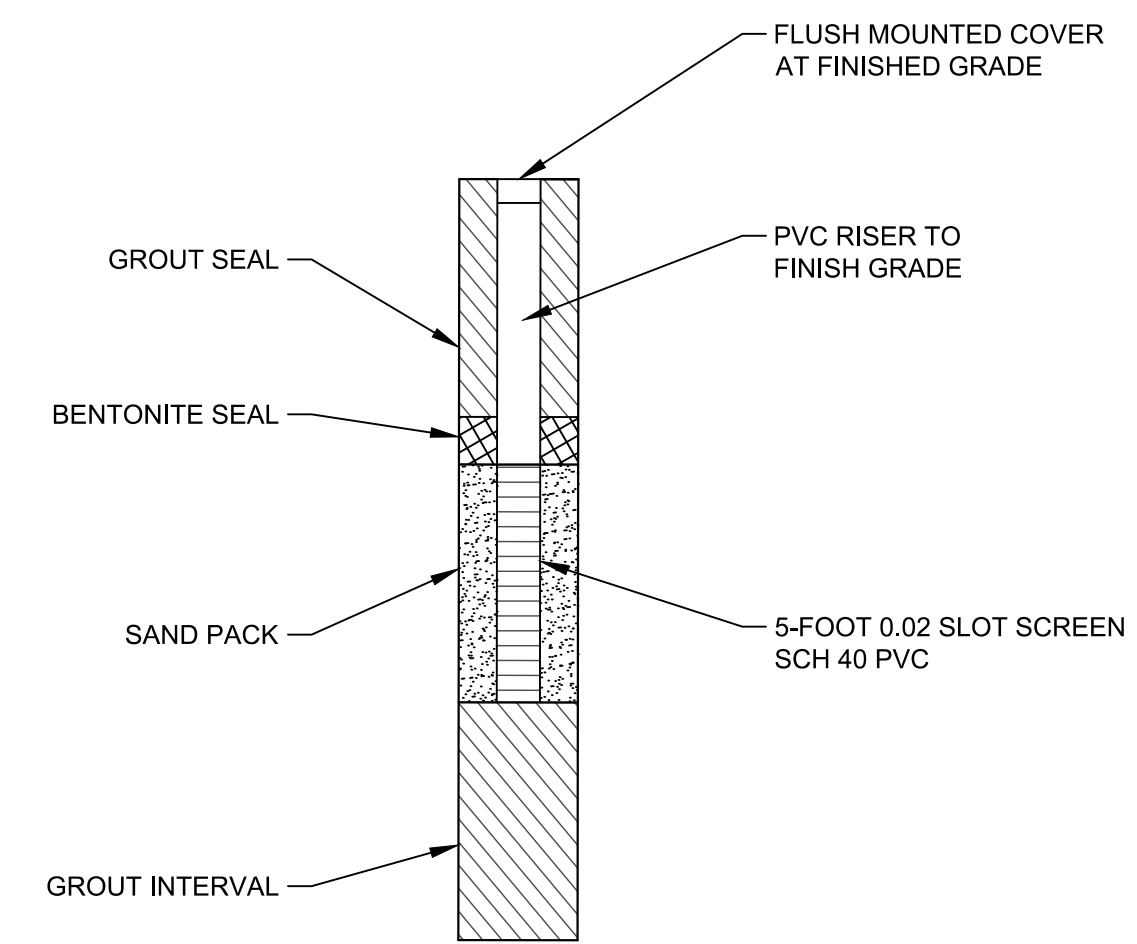
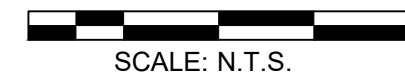
EXCAVATION PLAN

Project 1602600 June 2019 Fig. 3

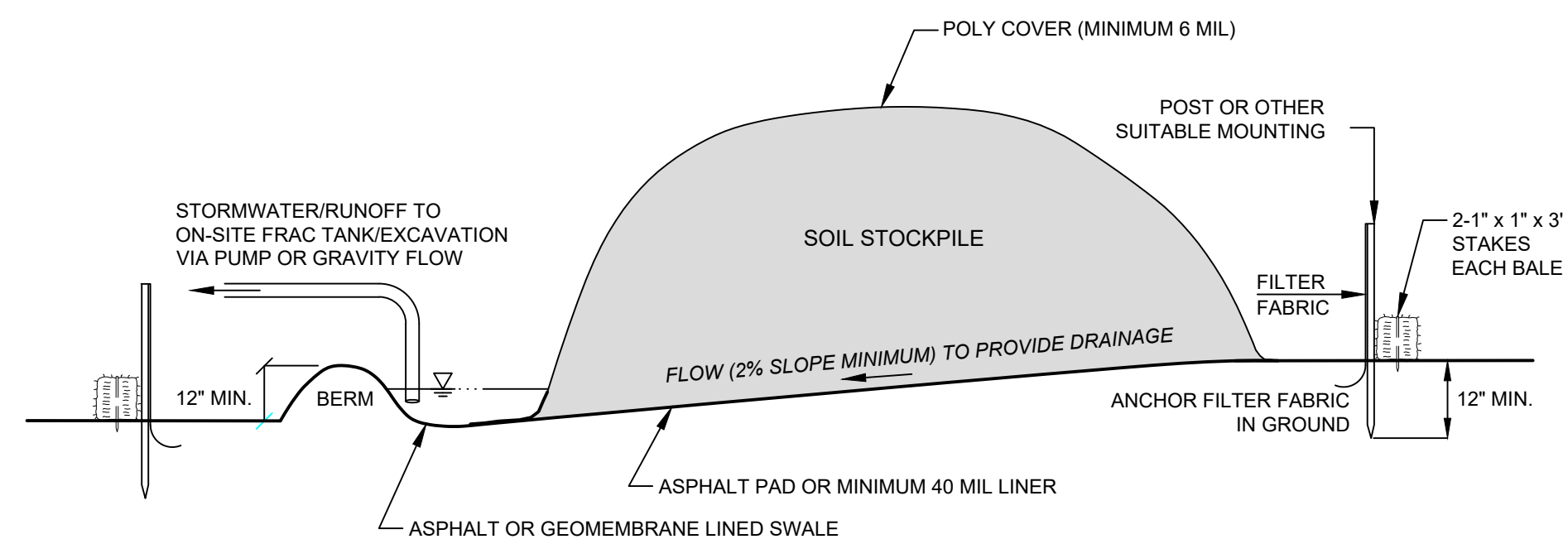
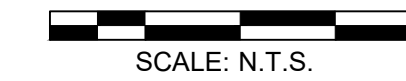




1 TYPICAL DETAIL - BACKFILL AND ISCR INJECTION WELL  
SCALE: N.T.S.



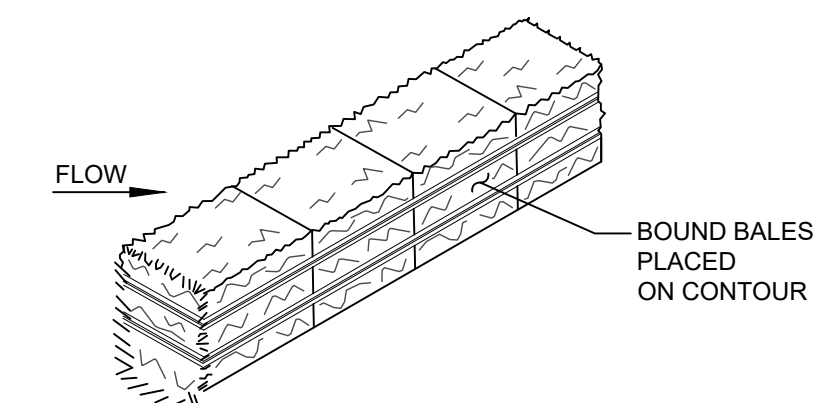
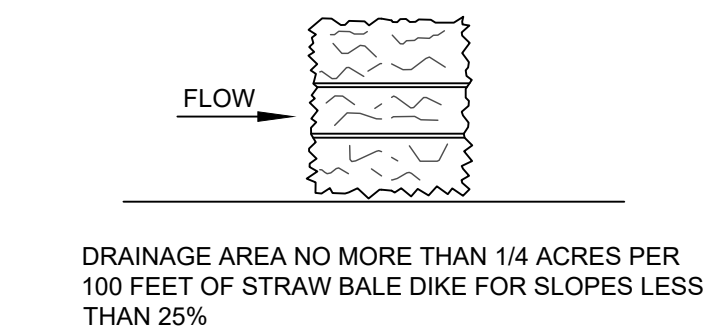
2 TYPICAL DETAIL - ISCR INJECTION WELL CONSTRUCTION  
SCALE: N.T.S.



3 DETAIL - IMPACTED SOIL / DEBRIS STOCK PILE PAD  
SCALE: N.T.S.



**IMPACTED SOIL / DEBRIS STOCK PILE PAD NOTE:**  
STOCKPILE OF IMPACTED SOILS IS NOT ANTICIPATED. IMPACTED SOILS WILL BE DIRECTED LOADED WHENEVER POSSIBLE FOR OFF-SITE DISPOSAL.



4 TYPICAL DETAIL - HAY BALE  
SCALE: N.T.S.



**STRAW BALE DIKE NOTE:**  
PLACE BALES IN A ROW WITH THE ENDS TIGHTLY ABUTTING THE ADJACENT BALES.

Remedial Action Work Plan Former Safety Kleen Dry Cleaner 115 Temple Hill Road Vails Gate, New York		DETAILS
The Rosen Group Claymont, Delaware		

## **Appendix A**

---

### **Supplemental PDI Summary Report and NYSDEC Approval Email**

## O'Neil, Matthew

---

**From:** Miller, John Y (DEC) <john.miller@dec.ny.gov>  
**Sent:** Friday, May 3, 2019 12:48 PM  
**To:** Akudo, Christopher  
**Cc:** O'Neil, Matthew; Recchia, Nick; Eaton, Daniel J (DEC)  
**Subject:** RE: Safety Kleen - Pre-Design work plan for your approval  
**Attachments:** Pages from letter.hw336078.2019-04-22.SPDI.pdf

Hi Chris,

The Department has reviewed the Supplemental Pre-Design Investigation (PDI) Report for the Former Safety Kleen Dry Cleaners Site (336078). The report is approved pending acknowledgement of the modified excavation limits in the attached figure.

The PDI report proposed to modify the excavation limits that were outlined in the Department's recent Record of Decision (ROD). Given the site's current field conditions, the Department believes this is a reasonable request. The attached figure indicates the Department's new proposed excavation limits. Note that the area has been modified from the PDI version and the overall removal area is similar to that of the ROD. This will allow for a larger area of in-situ treatment following soil removal.

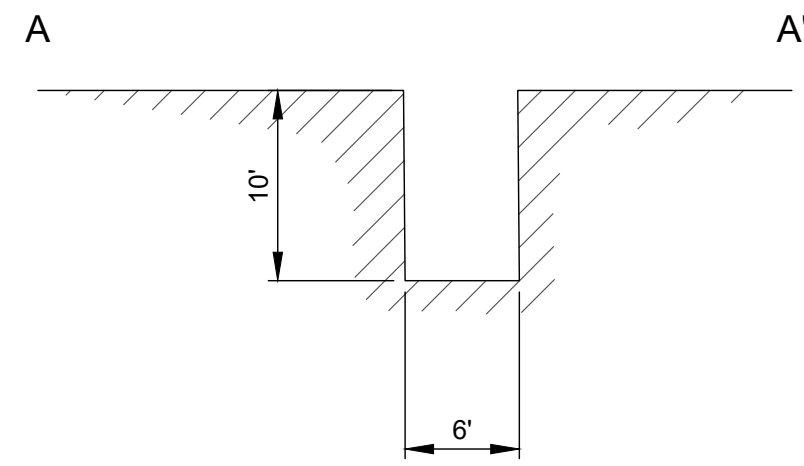
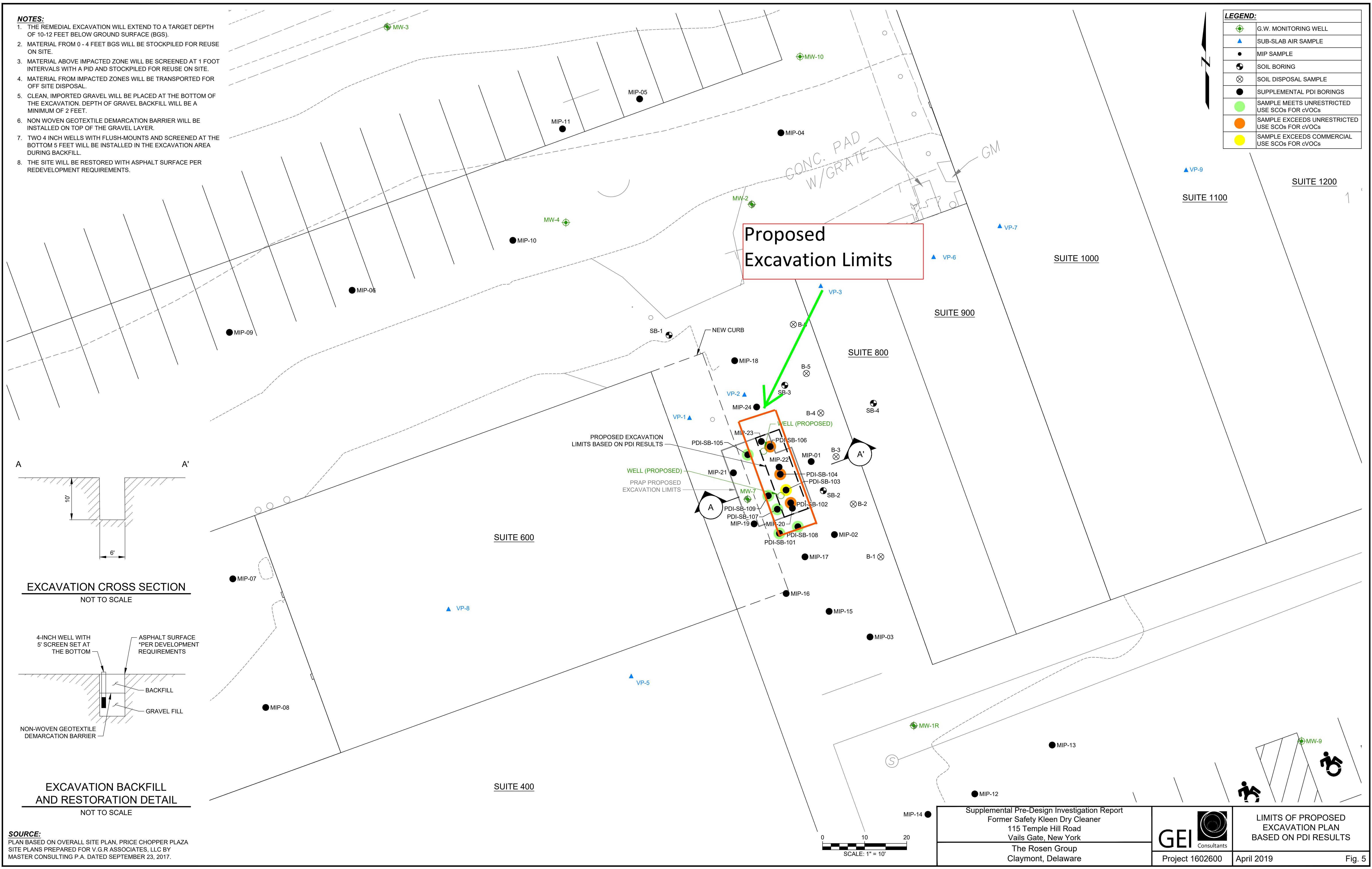
Please move forward with the preparation of the Remedial Action Work Plan (RAWP) for the construction of the remedy. Feel free to contact me with any questions or comments.

Regards,

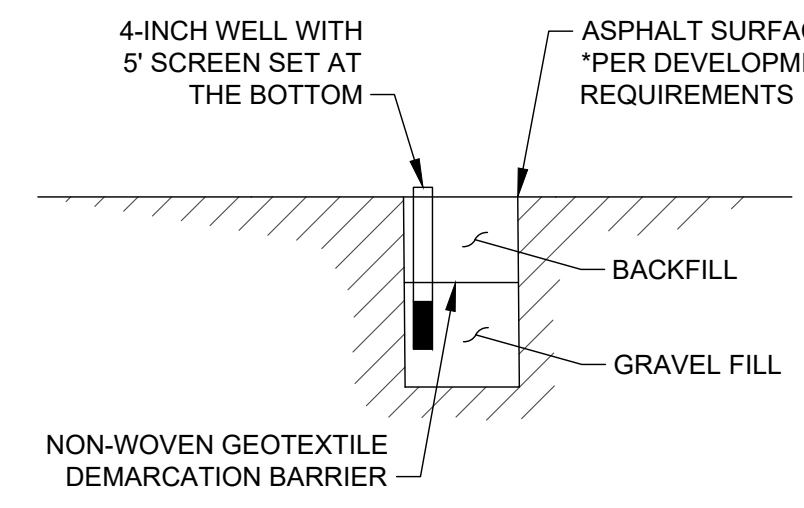
John B. Miller, P.E.  
NYSDEC  
Division of Environmental Remediation  
625 Broadway, 11<sup>th</sup> floor  
Albany, NY 12233-7014  
Phone: (518) 402-9589  
Fax: (518) 402-9679

- NOTES:**
1. THE REMEDIAL EXCAVATION WILL EXTEND TO A TARGET DEPTH OF 10-12 FEET BELOW GROUND SURFACE (BGS).
  2. MATERIAL FROM 0 - 4 FEET BGS WILL BE STOCKPILED FOR REUSE ON SITE.
  3. MATERIAL ABOVE IMPACTED ZONE WILL BE SCREENED AT 1 FOOT INTERVALS WITH A PID AND STOCKPILED FOR REUSE ON SITE.
  4. MATERIAL FROM IMPACTED ZONES WILL BE TRANSPORTED FOR OFF SITE DISPOSAL.
  5. CLEAN, IMPORTED GRAVEL WILL BE PLACED AT THE BOTTOM OF THE EXCAVATION. DEPTH OF GRAVEL BACKFILL WILL BE A MINIMUM OF 2 FEET.
  6. NON WOVEN GEOTEXTILE DEMARCATION BARRIER WILL BE INSTALLED ON TOP OF THE GRAVEL LAYER.
  7. TWO 4 INCH WELLS WITH FLUSH-MOUNTS AND SCREENED AT THE BOTTOM 5 FEET WILL BE INSTALLED IN THE EXCAVATION AREA DURING BACKFILL.
  8. THE SITE WILL BE RESTORED WITH ASPHALT SURFACE PER REDEVELOPMENT REQUIREMENTS.

LEGEND:	
	G.W. MONITORING WELL
	SUB-SLAB AIR SAMPLE
	MIP SAMPLE
	SOIL BORING
	SOIL DISPOSAL SAMPLE
	SUPPLEMENTAL PDI BORINGS
	SAMPLE MEETS UNRESTRICTED USE SCOs FOR cVOCs
	SAMPLE EXCEEDS UNRESTRICTED USE SCOs FOR cVOCs
	SAMPLE EXCEEDS COMMERCIAL USE SCOs FOR cVOCs



**EXCAVATION CROSS SECTION**  
NOT TO SCALE



**EXCAVATION BACKFILL AND RESTORATION DETAIL**  
NOT TO SCALE

**SOURCE:**  
PLAN BASED ON OVERALL SITE PLAN, PRICE CHOPPER PLAZA  
SITE PLANS PREPARED FOR V.G.R ASSOCIATES, LLC BY  
MASTER CONSULTING P.A. DATED SEPTEMBER 23, 2017.

Supplemental Pre-Design Investigation Report  
Former Safety Kleen Dry Cleaner  
115 Temple Hill Road  
Vails Gate, New York  
The Rosen Group  
Claymont, Delaware



**LIMITS OF PROPOSED EXCAVATION PLAN BASED ON PDI RESULTS**

Project 1602600 April 2019 Fig. 5



April 22, 2019  
Project 1602600.07.1

Consulting  
Engineers and  
Scientists

Mr. John B. Miller, P.E.  
New York State Department of Environmental Conservation  
Division of Environmental Remediation  
625 Broadway, 11<sup>th</sup> Floor  
Albany, NY 12233-7014

**Re: Supplemental Pre-Design Investigation Summary Report  
Former Safety Kleen Dry Cleaners Site (Site # 336078)  
115 Temple Hill Road  
New Windsor, New York 12584**

Dear Mr. Miller:

GEI Consultants, Inc., P.C. (GEI), has prepared this Supplemental Pre-Design Investigation (PDI) summary report for the soil investigation completed at the Former Safety Kleen Dry Cleaners Site (the Site) located in New Windsor, New York (**Figure 1**). The New York State Department of Environmental Conservation (NYSDEC) issued a Proposed Remedial Action Plan (PRAP) for the site requiring excavation and in-situ bioremediation to address impacts at the Site on February 26, 2019. This PDI was conducted in accordance with the NYSDEC-approved Work Plan dated March 25, 2019 (Work Plan) and revisions requested via email by the NYSDEC on March 25, 2019 and clarifications submitted via email to the NYSDEC on March 26, 2019. A total of nine soil borings were advanced at the Site on March 28th and 29th, 2019 to further delineate the impact of volatile organic compounds (VOCs) in the soil identified during previous site investigations. Grab and composite soil samples were collected from the borings and submitted to a New York State Environmental Laboratory Approval Program (ELAP)-approved laboratory for analysis. The results of the investigation are summarized below.

### **Soil Sampling**

Nine soil boring (PDI-SB-101 to PDI-SB-109) were completed as part of the PDI to in the locations shown in **Figure 2**. The proposed depth for each boring was 12 below ground surface (bgs). Four soil borings (PDI-SB-102, -104, -106, and -108) were advanced to the proposed 12 feet bgs and one soil boring (PDI-SB-103) was advanced to 13 feet bgs. Four soil borings (PDI-SB-101, -105, -107, and -109) met refusal at a depth of approximately 4 feet bgs. In accordance with the approved Work Plan and revision emails, grab soil samples were collected at the following intervals and analyzed for VOCs (United States Environmental Protection Agency [EPA] Method 8260C):

- 0 – 4 feet bgs
- 4 – 7.5 feet bgs
- 7.5 – 8.5 feet bgs
- 8.5 – 9.5 feet bgs
- 9.5 – 12 feet bgs

In addition to the grab samples identified above for delineation, one Composite soil sample was collected from each of the following intervals across all borings for identification of disposal and/or reuse requirements:

- 0 – 8 feet bgs
- 8 – 12 feet bgs

The composite soil samples were analyzed for the following:

- Semi volatile organic compounds (SVOCs) by EPA Method 8270
- Total analyte list (TAL) Metals by EPA Method 6000/7000 (Mercury 7471)
- Extractable Petroleum Hydrocarbon (EPH) by EPA Method 8015M
- Toxicity characteristic leaching procedure (TCLP) SVOCs by EPA Method 1311/8270
- TCLP Metals by EPA Method 1311/6010B
- Polychlorinated biphenyls (PCBs) by EPA Method 8082A
- TCLP Pesticides by EPA 1311/8081B
- Ignitability by EPA Method 1010A
- Corrosivity pH by EPA Method 9045C
- Reactive Cyanide by SW 846 CH. 7.3

All soil samples were screened with a photo-ionization detector (PID) with 11.7 eV lamp for the presence of VOCs, visually inspected for staining, discoloration, non-aqueous phase liquid (NAPL), checked for odors, and logged using the Unified Soil Classification System. The maximum PID reading detected was 3.5 parts per million and was observed at PDI-SB-103 (at a depth of 7 to 10 feet bgs). There was no visual observation of NAPL or odors noted during soil logging. Boring logs are included in **Attachment 1**.

#### ***Quality Assurance/Quality Control (QA/QC)***

QA/QC samples were collected at a frequency of one set per 20 samples. Each set of QA/QC samples consists of a blind duplicate, a field blank, and a matrix spike/matrix spike duplicate (MS/MSD). Soil samples were analyzed by York Analytical Laboratories, Inc., an environmental laboratory approval program (ELAP)-certified laboratory. The analytical results were provided in a New York State Category B data deliverable.

#### ***Work Plan Deviations***

The proposed boring locations were adjusted in the field due to Site conditions.

- The proposed locations of the soil borings were modified due to the presence of a newly constructed curb at the site. The borings were offset from the curb location to meet the PDI objectives. Therefore, the soil borings were relocated as shown in **Figure 2**.
- Three of the proposed soil borings met refusal (concrete chips and rock fragments) at approximately 4 feet bgs (PDI-SB-101, -105, and -107). Due to the refusals, one additional

soil boring (PDI-SB-109) was advanced approximately 3.5 feet northwest of PDI-SB-107 in order to clear the obstruction and advance a boring to the proposed depth in this area. This boring also met refusal at approximately 4 feet bgs.

The CAMP stations malfunctioned during calibration. A PID meter used to screen soil samples for VOCs and was also used to monitor soil vapors from the soil borings during the work in lieu of a separate CAMP station.

**Summary of Soil Analytical Results**

A summary of the analytical exceedances of the Unrestricted Use Soil Cleanup Objectives (SCOs) and Commercial Use SCOs for the grab soil samples is provided in **Table 1**. The laboratory analytical results are included in **Attachment 2**. A total of 27 grab soil samples were collected from 9 boring locations. The findings are summarized below:

<b>Boring Location</b>	<b>Sample Depth (feet bgs)</b>	<b>Detected Concentration (mg/kg)</b>	<b>Comments</b>
PDI-SB-102	0-4	0.062	Acetone Detection above Unrestricted Use SCOs
PDI-SB-102	7.5-8.5	24	PCE Detection above Unrestricted Use SCOs
PDI-SB-102	8.5-9.5	12	PCE Detection above Unrestricted Use SCOs
PDI-SB-102	9.5-12	3.9	PCE Detection above Unrestricted Use SCOs
PDI-SB-103	0-4	0.067	Acetone Detection above Unrestricted Use SCOs
PDI-SB-103	7.5-8.5	270	PCE Detection above Commercial Use SCOs
PDI-SB-103	8.5-9.5	160	PCE Detection above Commercial Use SCOs
PDI-SB-103	9.5-12	14	PCE Detection above Unrestricted Use SCOs
PDI-SB-104	4-7.5	3.4	PCE Detection above Unrestricted Use SCOs
PDI-SB-104	8.5-9.5	6.4	PCE Detection above Unrestricted Use SCOs
PDI-SB-104	9.5-12	64	PCE Detection above Unrestricted Use SCOs
PDI-SB-106	9.5-12	2.5	PCE Detection above Unrestricted Use SCOs
PDI-SB-108	4-7.5	0.12	Acetone Detection above Unrestricted Use SCOs
PDI-SB-108	8.5-9.5	0.076	Acetone Detection above Unrestricted Use SCOs

A summary of the analytical exceedances of the Unrestricted Use SCOs for the composite samples are provided in **Table 2**. Two composite samples were collected from the nine boring locations for the analytes noted above. There were no detections above the Unrestricted Use SCOs for the composite samples. Note that the VOC sample results for four borings (PDI-SB-102, -103, -104, and -106) described above included PCE concentrations above the Unrestricted Use SCOs. These areas will be targeted for excavation and off-site disposal. The remaining areas of the proposed excavation would be slated for removal and reuse as backfill in accordance with the requirements of DER-10.

An overlay of analytical detections on the Site are shown in the cross sections in **Figure 3** and **Figure 4**. The cross sections show the analytical exceedances at depths in the vicinity of monitoring well MW-7 and the former dry-cleaning equipment.

## Photographic Log

A photographic log of the Supplemental Pre-design investigation is presented in **Attachment 3**.

## Recommendation

The results of the PDI indicate that only one soil boring location with PCE was detected above the Commercial Use SCOs. Four boring locations detected the presence of PCE and three boring locations detected the presence of acetone above the Unrestricted Use SCOs. These locations are in the location of the former dry cleaner equipment. All other analytes identified in the soil analytical data were below the Unrestricted Use SCO.

The PRAP proposed a remedial excavation covering an approximately 275 square foot area to a depth of 10 feet with confirmation sampling at the base of the excavation. Based on the results of the PDI, GEI is recommending the following revisions to the excavation limits in the PRAP:

- Revise the excavation limits to an area of 120 square feet in the area immediate surrounding the former dry cleaner equipment and MW-7. This revision is based on the soil impacts observed from the PDI borings. The proposed excavation limits are depicted on Figure 5.
- Extend the excavation to a depth between 10-12 feet bgs where achievable based on the soil conditions observed. This will reduce the remaining impacts requiring in-situ treatment.
- In-Situ bioremediation alternatives will be evaluated in the design. It is anticipated that the use of In-Situ Chemical Reduction (ISCR) or In-Situ Chemical Oxidation (ISCO) products will be evaluated for the remaining impacts.

To accomplish this proposed remedial action, the following actions will be required:

- Soil excavation to a depth of 10-12 feet bgs in a 120 square foot area including impacts observed at PDI-SB-102, -103, -104, and -106.
- Installation of approximately 2-5 feet of imported clean gravel at the bottom of the excavation.
- Installation of non-woven geotextile demarcation barrier on top of the gravel layer.
- Installation of two 4-inch injection wells, screened at the bottom 5 feet, with flush-mounts covers.
- ISCR products will be injected into the subsurface through the 4-inch wells.
- Material located above the impacts will be screened at 1-foot intervals with a PID and stockpiled for reuse on-site. This includes approximately 31 cubic yards consisting of:
  - Material from 0-7.5 feet bgs at PDI-SB-102 and -103;
  - Material from 0-4 feet bgs at PDI-SB-104; and,
  - Material from 0-9.5 feet bgs at PDI-SB-106.
- Material from impacted zones will be transported off-site for disposal. This includes approximately 22 cubic yards consisting of:
  - Material from 7.5-12 feet bgs at PDI-SB-102 and -103;
  - Material from 4-12 feet bgs at PDI-SB-104; and,
  - Material from 9.5-12 feet bgs at PDI-SB-106.
- Excavation will be backfilled with reused material or imported clean soil.
- The Site will be restored with asphalt surface per redevelopment requirements.



- The modified subslab depressurization system (SSDS) and quarterly soil vapor monitoring will continue at the Site to mitigate indoor vapor intrusion.

A depiction of the proposed remedial action is included in **Figure 5**. This recommendation has been evaluated based on the following criteria in accordance with Section 4.2 of DER-10:

**1. Overall Protectiveness of Public Health and the Environment**

The recommended remedial action will be protective of the public and the environment. Potential future utility and construction workers may contact contaminants in subsurface soil or perched groundwater during excavation activities. The subsurface soil will be excavated to a depth of approximately 10 feet and backfilled with soils meeting the Commercial Use SCOs. ISCR products will be injected into the subsurface for targeted bioremediation. Institutional and engineering controls, including the modified SSDS and site cover system will be established to manage any future potential exposures.

**2. Conformance with Standards, Criteria, and Guidance (SCGs)**

The recommended remedy will eliminate or mitigate all significant threats to public health and the environment presented by the contaminants at the Site through the proper application of scientific and engineering principles. The proposed excavation will remove soils with detections above Commercial Use SCOs. Contaminants exceeding Commercial Use SCOs at depths below 10 feet will be addressed through institutional controls. Injection of ISCR products will address contaminant source in the perched groundwater.

**3. Long-term Effectiveness and Permanence**

There will be no significant threats, exposure pathways, or risks to the community and the environment from the remaining contamination. Soil excavation, backfill, and the implementation of the ISCR injection will reduce the source of soil vapor and reduce the time that SSDS will be required to address soil vapor intrusion. The potential enhancement of the Site's biogeochemistry due to ISCR injection will accelerate the natural attenuation of the contaminants. The Remedial Action Objectives can continue to be met in the future by maintaining the sub-slab ventilation system and the institutional controls.

**4. Reduction of Toxicity, Mobility, or Volume of Contamination**

The excavation, ISCR injection and operation of the SSDS will reduce the toxicity and volume of the source material.

**5. Short-term Impact and Effectiveness**

The excavation of soil in exceedance of the SCOs, ISCR injection, and modifications to the SSDS will cause short-term disruptions to the retail stores.

**6. Implementability**

Soil excavation, ISCR injections and modifications to the SSDS are technically implementable. The ability to obtain short and long-term access from the owner and tenants

of the retail stores and other parties affected by institutional controls and/or monitoring is unknown.

**7. Cost effectiveness**

This remedial approach is cost effective in ensuring a level of permanence and long-term effectiveness.

**8. Land Use**

The soil excavation, ISCR injections, and modifications to the SSDS are consistent with and supports the current and anticipated future commercial land use at the Site.

**Schedule**

The milestone schedule for the remedial action noted below is conceptual and subject to change.

<b>Remedial Action Work Plan (RAWP) and Design</b>	
Submit Draft RAWP and Design to NYSDEC	May 2019
NYSDEC Approve Final Design (anticipated)	June 2019
<b>Remedial Construction</b>	
Contractor Procurement Completion	July 2019
Contractor Mobilization	July 2019
Remediation Construction Completion	August 2019
<b>Final Engineering Report (FER)</b>	
Submit Draft FER to NYSDEC	October 2019
NYSDEC Approve FER (anticipated)	November 2019
<b>Site Management Plan (SMP)</b>	
Submit Draft SMP to NYSDEC	October 2019
NYSDEC Approve SMP (anticipated)	November 2019
Submit Final Approved FER and SMP to NYSDEC	November 2019

Mr. John B. Miller, P.E.  
New York State Department of Environmental Conservation

-7-

April 22, 2019

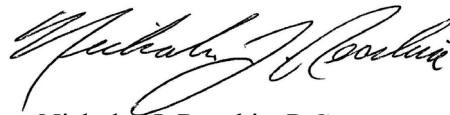
Please feel free to contact us with any questions.

Sincerely,

GEI CONSULTANTS, INC.



Matthew J. O'Neil, P.E.  
Senior Engineer



Nicholas J. Recchia, P.G.  
Project Manager

Enclosures

H:\WPROC\Project\The Rosen Group\Remediation\Supplemental PDI Report\letter.hw336078.2019-04-22.SPDI.docx

# Tables





**Table 1: Summary of Grab Samples Analytical Exceedances**  
**Former Safety Kleen Dry Cleaners**  
**Vails Gate, New York**

**Notes:**

mg/kg = milligrams/kilogram or parts per million (ppm)  
ug/L = micrograms per liter or parts per billion (ppb)

BTEX = Benzene, Toluene, Ethylbenzene, and Xylenes  
VOC = Volatile Organic Compound

Total BTEX is calculated using detects only.

6 NYCRR = New York State Register and Official Compilation of Codes, Rules and Regulations of the State of New York  
Comparison of detected results are performed against one or more of the following NYCRR, Chapter IV, Part 375-6  
Soil Cleanup Objectives (SCOs): Unrestricted Use, Residential, Restricted-Residential, Commercial, Industrial,  
Protection of Ecological Resources, or Protection of Groundwater

CAS No. = Chemical Abstracts Service Number  
NE = Not Established

Bolding indicates a detected result concentration  
Shading and bolding indicates that the detected concentration is above the NYSDOH guidance it was compared to  
Gray shading and bolding indicates that the detected result value exceeds the Unrestricted SCO  
Yellow shading and bolding indicates that the detected result value exceeds the Commercial SCO

Validation Qualifiers:  
U = The result was not detected above the reporting limit.

**Table 2. Summary of Composite Samples Analytical Exceedances**  
**Former Safety Kleen Dry Cleaners**  
**Vails Gate, New York**

				Sample Name	PDI-Composite 1	PDI-Composite 2
				Start Depth	(0-8)	(8-12)
				End Depth	0	8
				Depth Unit	8	12
				Sample Date	ft	ft
					3/29/2019	3/29/2019
Analyte	Units	CAS No.	Unrestricted SCO			
<b>NYSDEC PAH17</b>	mg/kg					
Acenaphthene		83-32-9	20		0.0457U	0.048U
Acenaphthylene		208-96-8	100		0.0457U	0.048U
Anthracene		120-12-7	100		0.0457U	0.048U
Benzo(a)anthracene		56-55-3	1		0.0457U	0.048U
Benzo(b)fluoranthene		205-99-2	1		0.0457U	0.048U
Benzo(k)fluoranthene		207-08-9	0.8		0.0457U	0.048U
Benzo(g,h,i)perylene		191-24-2	100		0.0457U	0.048U
Benzo(a)pyrene		50-32-8	1		0.0457U	0.048U
Chrysene		218-01-9	1		0.0457U	0.048U
Dibenz(a,h)anthracene		53-70-3	0.33		0.0457U	0.048U
Fluoranthene		206-44-0	100		0.0457U	0.048U
Fluorene		86-73-7	30		0.0457U	0.048U
Indeno(1,2,3-cd)pyrene		193-39-5	0.5		0.0457U	0.048U
2-Methylnaphthalene		91-57-6	NE		0.0457U	0.048U
Naphthalene		91-20-3	12		0.0457U	0.048U
Phenanthrene		85-01-8	100		0.0457U	0.048U
Pyrene		129-00-0	100		0.0457U	0.048U
Total PAH (17) (ND=0)		TPAH17_ND0	NE			
<b>NYSDEC PAH17 Other SVOCs</b>	mg/kg					
Acetophenone		98-86-2	NE		0.0457U	0.048U
Atrazine		1912-24-9	NE		0.0457U	0.048U
Benzaldehyde		100-52-7	NE		0.0457U	0.048U
Biphenyl (1,1-Biphenyl)		92-52-4	NE		0.0457U	0.048U
Bis(2-chloroethoxy)methane		111-91-1	NE		0.0457U	0.048U
Bis(2-chloroethyl)ether		111-44-4	NE		0.0457U	0.048U
2,2-oxybis(1-Chloropropane)		108-60-1	NE		0.0457U	0.048U
Bis(2-ethylhexyl)phthalate		117-81-7	NE		<b>0.151</b>	<b>0.332</b>
4-Bromophenyl phenyl ether		101-55-3	NE		0.0457U	0.048U
Butyl benzyl phthalate		85-68-7	NE		0.0457U	0.048U
Caprolactam		105-60-2	NE		0.0912U	0.0958U
Carbazole		86-74-8	NE		0.0457U	0.048U
4-Chloro-3-methylphenol		59-50-7	NE		0.0457U	0.048U
4-Chloroaniline		106-47-8	NE		0.0457U	0.048U
2-Chloronaphthalene		91-58-7	NE		0.0457U	0.048U
2-Chlorophenol		95-57-8	NE		0.0457U	0.048U
4-Chlorophenyl phenyl ether		7005-72-3	NE		0.0457U	0.048U
Dibenzofuran		132-64-9	7		0.0457U	0.048U
3,3-Dichlorobenzidine		91-94-1	NE		0.0457U	0.048U
2,4-Dichlorophenol		120-83-2	NE		0.0457U	0.048U
Diethyl phthalate		84-66-2	NE		0.0457U	0.048U
Dimethyl phthalate		131-11-3	NE		0.0457U	0.048U
2,4-Dimethylphenol		105-67-9	NE		0.0457U	0.048U
Di-n-butyl phthalate		84-74-2	NE		0.0457U	0.048U
4,6-Dinitro-2-methylphenol		534-52-1	NE		0.0912U	0.0958U
2,4-Dinitrophenol		51-28-5	NE		0.0912U	0.0958U
2,4-Dinitrotoluene		121-14-2	NE		0.0457U	0.048U
2,6-Dinitrotoluene		606-20-2	NE		0.0457U	0.048U
Di-n-octyl phthalate		117-84-0	NE		0.0457U	0.048U
Hexachlorobenzene		118-74-1	0.33		0.0457U	0.048U
1,3-Hexachlorobutadiene (C-46)		87-68-3	NE		0.0457U	0.048U
Hexachlorocyclopentadiene		77-47-4	NE		0.0457U	0.048U
Hexachloroethane		67-72-1	NE		0.0457U	0.048U
Isophorone		78-59-1	NE		0.0457U	0.048U
2-Methylnaphthalene		91-57-6	NE		0.0457U	0.048U
2-Methylphenol (o-Cresol)		95-48-7	0.33		0.0457U	0.048U
4-Methylphenol (p-Cresol)		106-44-5	0.33			
2-Nitroaniline		88-74-4	NE		0.0912U	0.0958U
3-Nitroaniline		99-09-2	NE		0.0912U	0.0958U
4-Nitroaniline		100-01-6	NE		0.0912U	0.0958U



**Table 2. Summary of Composite Samples Analytical Exceedances**  
**Former Safety Kleen Dry Cleaners**  
**Vails Gate, New York**

				Sample Name	PDI-Composite 1	PDI-Composite 2
				Start Depth	(0-8)	(8-12)
				End Depth	0	8
				Depth Unit	ft	ft
				Sample Date	3/29/2019	3/29/2019
Analyte	Units	CAS No.	Unrestricted SCO			
Nitrobenzene		98-95-3	NE		0.0457U	0.048U
2-Nitrophenol		88-75-5	NE		0.0457U	0.048U
4-Nitrophenol		100-02-7	NE		0.0912U	0.0958U
N-Nitrosodiphenylamine (NDFA)		86-30-6	NE		0.0457U	0.048U
N-Nitrosodi-n-propylamine (NDPA)		621-64-7	NE		0.0457U	0.048U
Pentachlorophenol		87-86-5	0.8		0.0457U	0.048U
Phenol		108-95-2	0.33		0.0457U	0.048U
1,2,4,5-Tetrachlorobenzene		95-94-3	NE		0.0912U	0.0958U
2,3,4,6-Tetrachlorophenol		58-90-2	NE		0.0912U	0.0958U
2,4,5-Trichlorophenol		95-95-4	NE		0.0457U	0.048U
2,4,6-Trichlorophenol		88-06-2	NE		0.0457U	0.048U
<b>PCB Aroclors</b>	mg/kg					
Aroclor 1016		12674-11-2	NE		0.0185U	0.0192U
Aroclor 1221		11104-28-2	NE		0.0185U	0.0192U
Aroclor 1232		11141-16-5	NE		0.0185U	0.0192U
Aroclor 1242		53469-21-9	NE		0.0185U	0.0192U
Aroclor 1248		12672-29-6	NE		0.0185U	0.0192U
Aroclor 1254		11097-69-1	NE		0.0185U	0.0192U
Aroclor 1260		11096-82-5	NE		0.0185U	0.0192U
Aroclor 1262		37324-23-5	NE			
Aroclor 1268		11100-14-4	NE		0.0185U	0.0192U
Total PCBs (Lab calculated)		1336-36-3	0.1		0.0185U	0.0192U
<b>Pesticides</b>	mg/kg					
Aldrin		309-00-2	0.005			
alpha-BHC (Hexachlorocyclohexane)		319-84-6	0.02			
beta-BHC (beta-Hexachlorocyclohexane)		319-85-7	0.036			
gamma-BHC (gamma-Hexachlorocyclohexane) (Lindane)		58-89-9	0.1		0.0000444U	0.0000444U
delta-BHC (delta-Hexachlorocyclohexane)		319-86-8	0.04			
Chlordane (Alpha & Gamma)		57-74-9	NE			
2,4-D (2,4-Dichlorophenoxyacetic acid)		94-75-7	NE			
4,4'-DDT (p,p'-DDT)		50-29-3	0.0033			
4,4'-DDE (p,p'-DDE)		72-55-9	0.0033			
4,4'-DDD (p,p'-DDD)		72-54-8	0.0033			
Dieldrin		60-57-1	0.005			
alpha-Endosulfan (I)		959-98-8	2.4			
beta-Endosulfan (II)		33213-65-9	2.4			
Endosulfan sulfate		1031-07-8	2.4			
Endrin		72-20-8	0.014		0.0000444U	0.0000444U
Endrin aldehyde		7421-93-4	NE			
Endrin ketone		53494-70-5	NE			
Heptachlor		76-44-8	0.042		0.0000444U	0.0000444U
Heptachlor epoxide		1024-57-3	NE		0.0000444U	0.0000444U
Methoxychlor		72-43-5	NE		0.0000444U	0.0000444U
2,4,5-TP (Silvex)		93-72-1	3.8			
Toxaphene		8001-35-2	NE		0.00111U	0.00111U
<b>Herbicides</b>	mg/kg					
2,4-D (2,4-Dichlorophenoxyacetic acid)		94-75-7	NE			
2,4,5-T (2,4,5-Trichlorophenoxyacetic acid)		93-76-5	NE			
2,4,5-TP (Silvex)		93-72-1	3.8			
<b>Total Metals</b>	mg/kg					
Aluminum		7429-90-5	NE		<b>11700</b>	<b>12400</b>
Antimony		7440-36-0	NE		2.81U	2.89U
Arsenic		7440-38-2	13		<b>3.95</b>	<b>5.05</b>
Barium		7440-39-3	350		<b>37.3</b>	<b>49</b>
Beryllium		7440-41-7	7.2		<b>0.356</b>	<b>0.412</b>
Cadmium		7440-43-9	2.5		0.337U	0.347U
Calcium		7440-70-2	NE		<b>2680</b>	<b>15900</b>
Chromium		7440-47-3	NE		<b>14.7</b>	<b>16.4</b>

**Table 2. Summary of Composite Samples Analytical Exceedances**  
**Former Safety Kleen Dry Cleaners**  
**Vails Gate, New York**

				<b>Sample Name</b>	<b>PDI-Composite 1</b>	<b>PDI-Composite 2</b>
				<b>Start Depth</b>	<b>(0-8)</b>	<b>(8-12)</b>
				<b>End Depth</b>	<b>0</b>	<b>8</b>
				<b>Depth Unit</b>	<b>8</b>	<b>12</b>
				<b>Sample Date</b>	<b>ft</b>	<b>ft</b>
					<b>3/29/2019</b>	<b>3/29/2019</b>
<b>Analyte</b>	<b>Units</b>	<b>CAS No.</b>	<b>Unrestricted SCO</b>			
Cobalt		7440-48-4	NE		<b>11.4</b>	<b>11.9</b>
Copper		7440-50-8	50		<b>27.4</b>	<b>28.9</b>
Iron		7439-89-6	NE		<b>25200</b>	<b>27100</b>
Lead		7439-92-1	63		<b>9.58</b>	<b>10.8</b>
Magnesium		7439-95-4	NE		<b>4400</b>	<b>7650</b>
Manganese		7439-96-5	1600		<b>620</b>	<b>767</b>
Mercury		7439-97-6	0.18		0.0337U	0.0347U
Nickel		7440-02-0	30		<b>22.8</b>	<b>27.2</b>
Potassium		7440-09-7	NE		<b>1160</b>	<b>1400</b>
Selenium		7782-49-2	3.9		2.81U	2.89U
Silver		7440-22-4	2		0.561U	0.578U
Sodium		7440-23-5	NE		<b>194</b>	<b>189</b>
Thallium		7440-28-0	NE		2.81U	2.89U
Vanadium		7440-62-2	NE		<b>15.1</b>	<b>17</b>
Zinc		7440-66-6	109		<b>68.2</b>	<b>69.6</b>
<b>TCLP Metals</b>	ug/L					
Arsenic		7440-38-2	NE		0.375U	0.375U
Barium		7440-39-3	NE		0.625U	0.625U
Cadmium		7440-43-9	NE		0.075U	0.075U
Chromium		7440-47-3	NE		0.125U	0.125U
Lead		7439-92-1	NE		0.125U	0.125U
Mercury		7439-97-6	NE		0.0002U	0.0002U
Selenium		7782-49-2	NE		0.625U	0.625U
Silver		7440-22-4	NE		0.125U	0.125U
<b>Cyanides</b>	mg/kg					
Cyanide Reactivity		REAC-CN	NE		0.250U	0.250U
<b>Other</b>						
Corrosivity	s.u.	CORROS	NE			
Ignitibility	mm/sec	IGNIT	NE		Non-Ignit.	Non-Ignit.
pH	s.u.	pH	NE		<b>7.29</b>	<b>8.6</b>
Sulfide Reactivity	mg/kg	REAC-HS	NE		15.0U	<b>16</b>
Diesel Range Organics	mg/kg	DRO	NE		N/A	N/A
Gasoline Range Organics	mg/kg	GRO	NE		N/A	N/A
Total EPH	mg/kg	EPH	NE		<b>60.3</b>	56.1U

**Table 2. Summary of Composite Samples Analytical Exceedances  
Former Safety Kleen Dry Cleaners  
Vails Gate, New York**

**Notes:**

**Analytes in blue are not detected in any sample**

mg/kg = milligrams/kilogram or parts per million (ppm)

mm/sec = millimeters per second

s.u. = standard units

ug/L = micrograms per liter or parts per billion (ppb)

BTEX = Benzene, Toluene, Ethylbenzene, and Xylenes

PAH = Polycyclic Aromatic Hydrocarbon

PCB = Polychlorinated Biphenyl

SVOC = Semi-Volatile Organic Compound

TCLP = Toxicity Characteristic Leaching Procedure

Total PAHs is calculated using detects only.

Total PAH16 is calculated using the EPA16 list of analytes: Acenaphthene, Acenaphthylene, Anthracene, Benz[a]anthracene, Benzo[a]pyrene, Benzo[b]fluoranthene, Benzo[g,h,i]perylene, Benzo[k]fluoranthene, Chrysene, Dibenz[a,h]anthracene, Fluoranthene, Fluorene, Indeno[1,2,3-cd]pyrene, Naphthalene, Phenanthrene, and Pyrene

Total PAH17 is calculated using the EPA16 list of analytes plus 2-Methylnaphthalene

6 NYCRR = New York State Register and Official Compilation of Codes, Rules and Regulations of the State of New York

Comparison of detected results are performed against one or more of the following NYCRR, Chapter IV, Part 375-6 Soil Cleanup Objectives (SCO): Unrestricted Use, Residential, Restricted-Residential, Commercial, Industrial, Protection of Ecological Resources, or Protection of Groundwater

CAS No. = Chemical Abstracts Service Number

NE = Not Established

Bolding indicates a detected result concentration

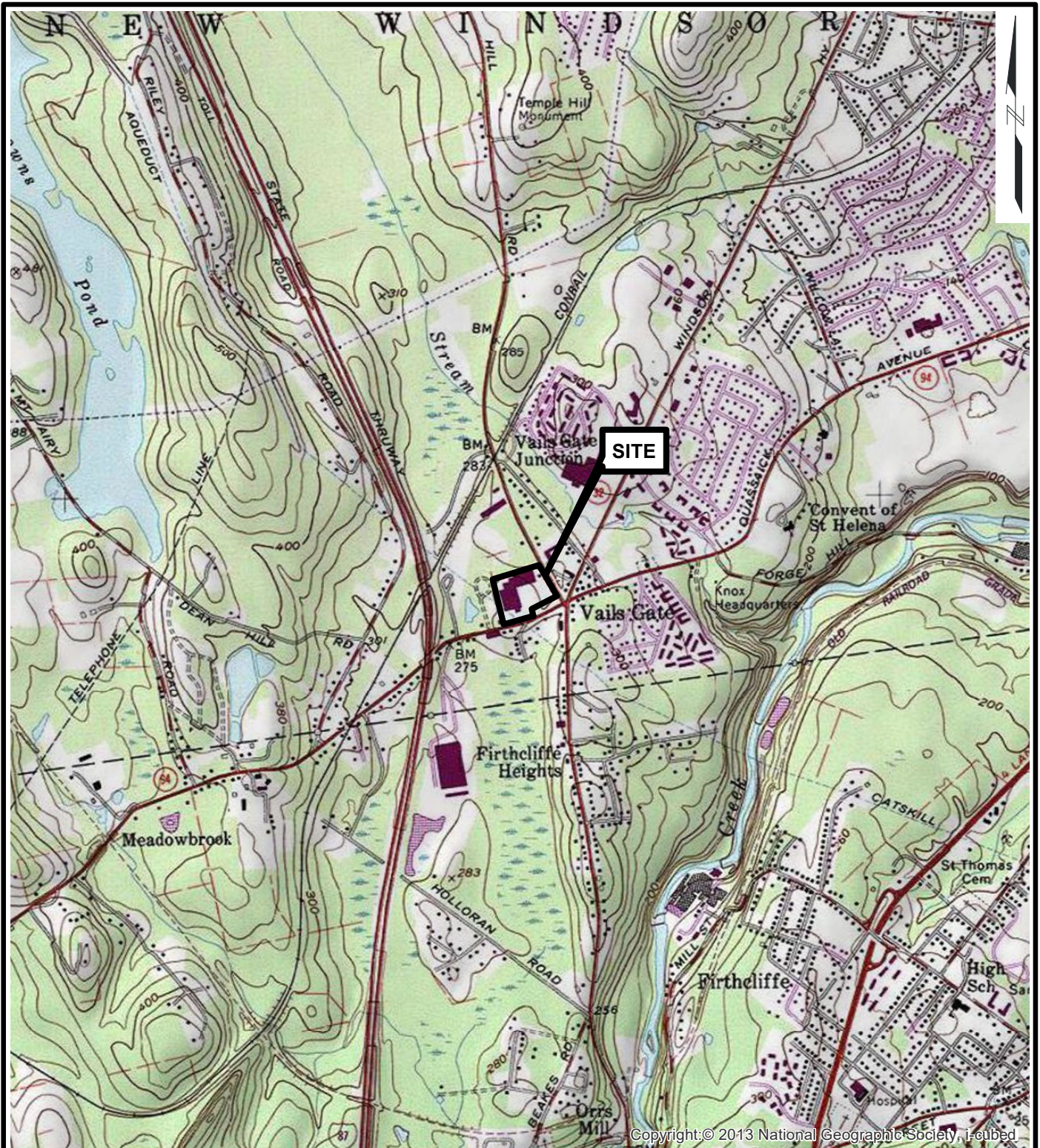
Shading and bolding indicates that the detected concentration is above the NYSDOH guidance it was compared to.

Gray shading and bolding indicates that the detected result value exceeds the Unrestricted SCO

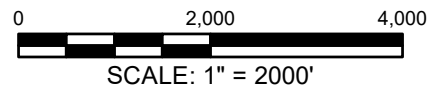
**Validation Qualifiers:**

U = The result was not detected above the reporting limit.

# Figures



**SOURCE:**  
 1. USGS TOPOGRAPHIC MAP ACCESSED  
 VIA ARCGIS ONLINE SERVICES.



Supplemental Pre-Design Investigation Report  
 Former Safety Clean Dry Cleaner  
 115 Temple Hill Road  
 Vails Gate, New York

The Rosen Group  
 Claymont, Delaware



Project 1602600

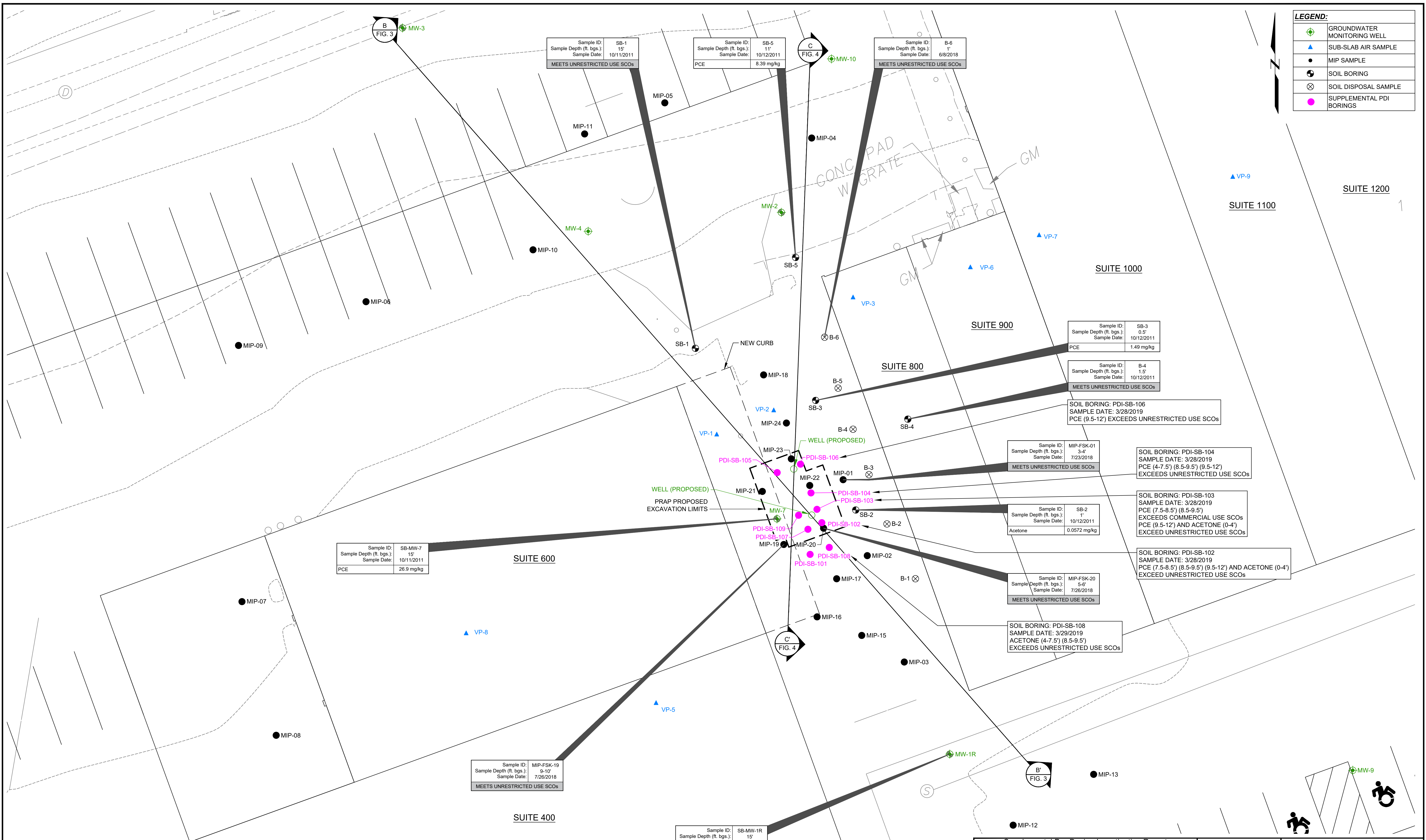
SITE LOCATION MAP

April 2019

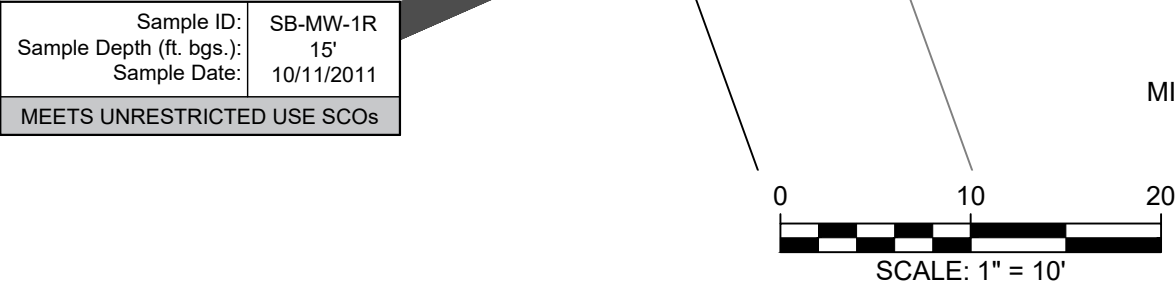
Fig. 1

**LEGEND:**

	GROUNDWATER MONITORING WELL
	SUB-SLAB AIR SAMPLE
	MIP SAMPLE
	SOIL BORING
	SOIL DISPOSAL SAMPLE
	SUPPLEMENTAL PDI BORINGS



**SOURCE:**  
 PLAN BASED ON OVERALL SITE PLAN, PRICE CHOPPER PLAZA  
 SITE PLANS PREPARED FOR V.G.R ASSOCIATES, LLC BY  
 MASTER CONSULTING P.A. DATED SEPTEMBER 23, 2017.



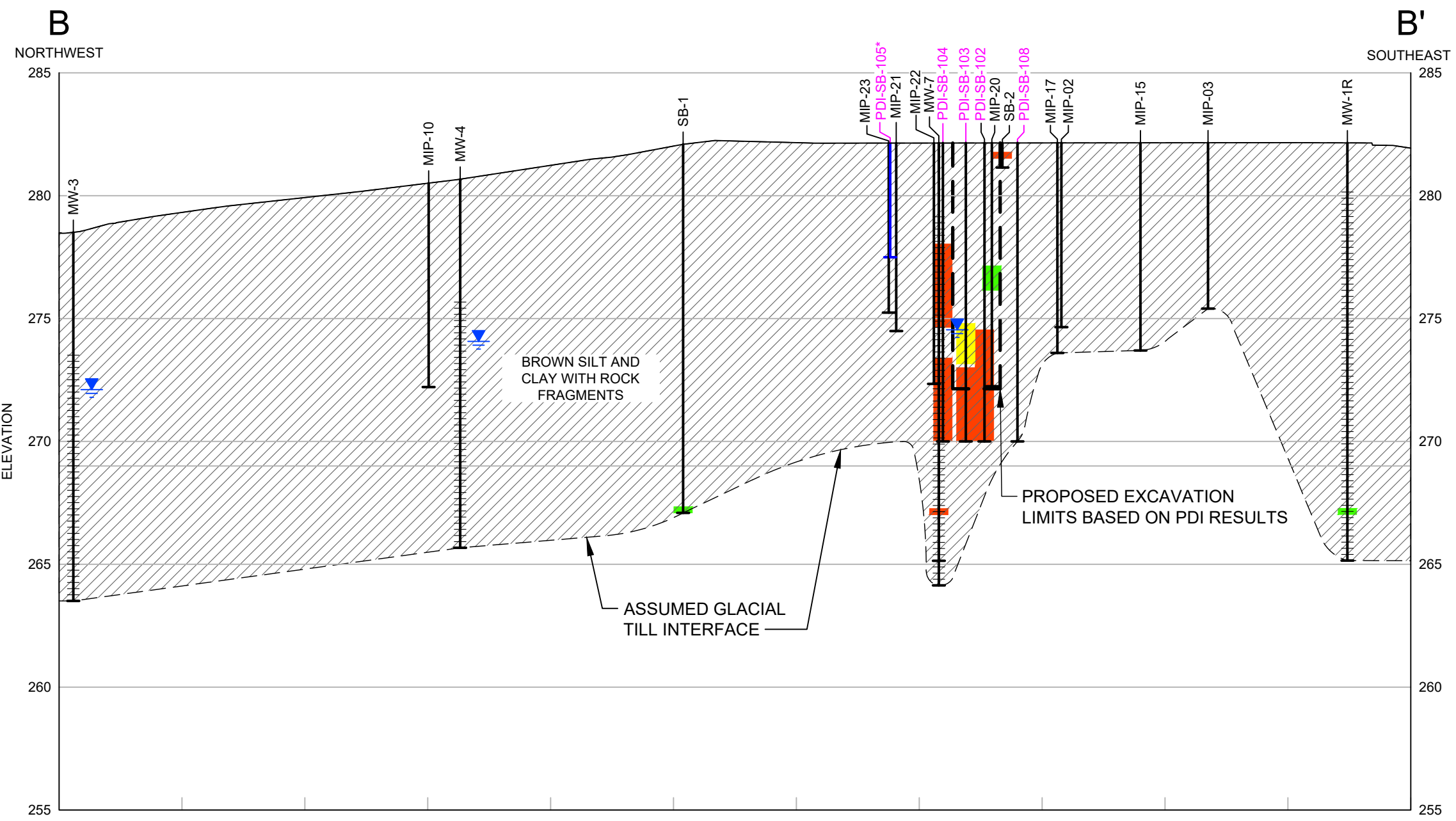
Supplemental Pre-Design Investigation Report  
 Former Safety Kleen Dry Cleaner  
 115 Temple Hill Road  
 Vails Gate, New York  
 The Rosen Group  
 Claymont, Delaware



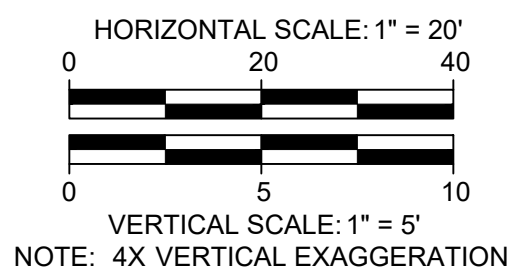
**SOIL SAMPLING LOCATIONS**

Project 1602600 April 2019 Fig. 2

\\gdctv-fs01\Data\Tech\Environmental Projects\The Rosen Group\CAD\Design\Working\SPDI\1602600\_SPDI\_EXCV.dwg - 4/15/2019

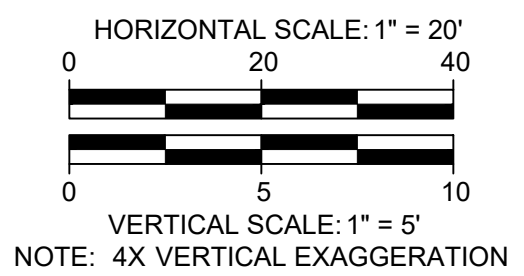
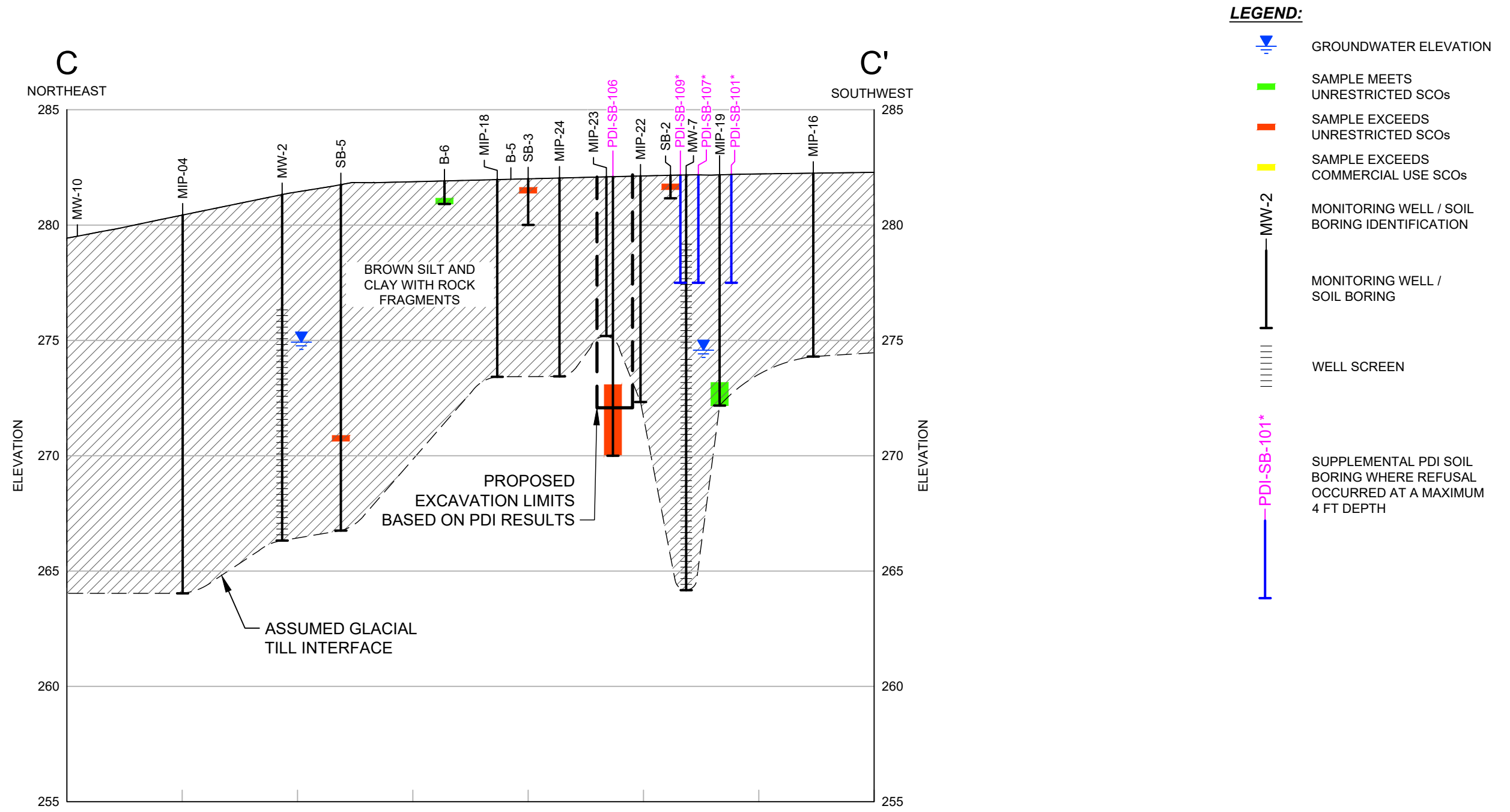



- LEGEND:**
- GROUNDWATER ELEVATION
  - SAMPLE MEETS UNRESTRICTED SCOs
  - SAMPLE EXCEEDS UNRESTRICTED SCOs
  - SAMPLE EXCEEDS COMMERCIAL USE SCOs
  - MW-3 MONITORING WELL / SOIL BORING IDENTIFICATION
  - MONITORING WELL / SOIL BORING
  - WELL SCREEN
  - SUPPLEMENTAL PDI SOIL BORING WHERE REFUSAL OCCURRED AT A MAXIMUM 4 FT DEPTH



Supplemental Pre-Design Investigation Report Former Safety Kleen Dry Cleaner 115 Temple Hill Road Vails Gate, New York		CROSS SECTION B-B'	
		The Rosen Group Claymont, Delaware	Project 1602600 April 2019

Fig. 3

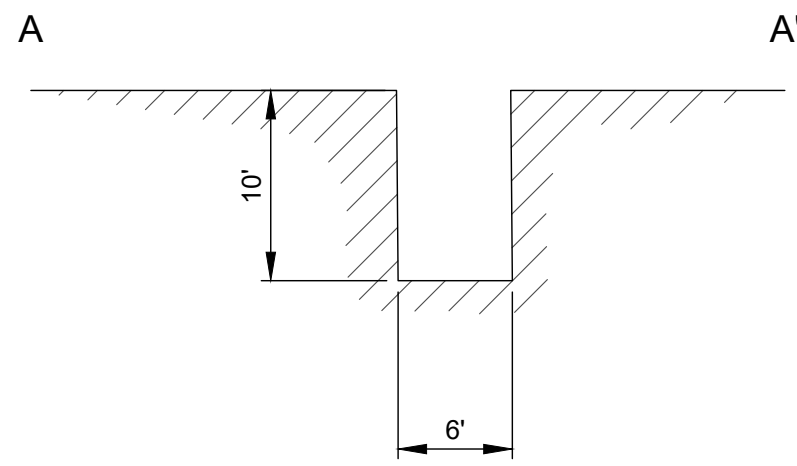
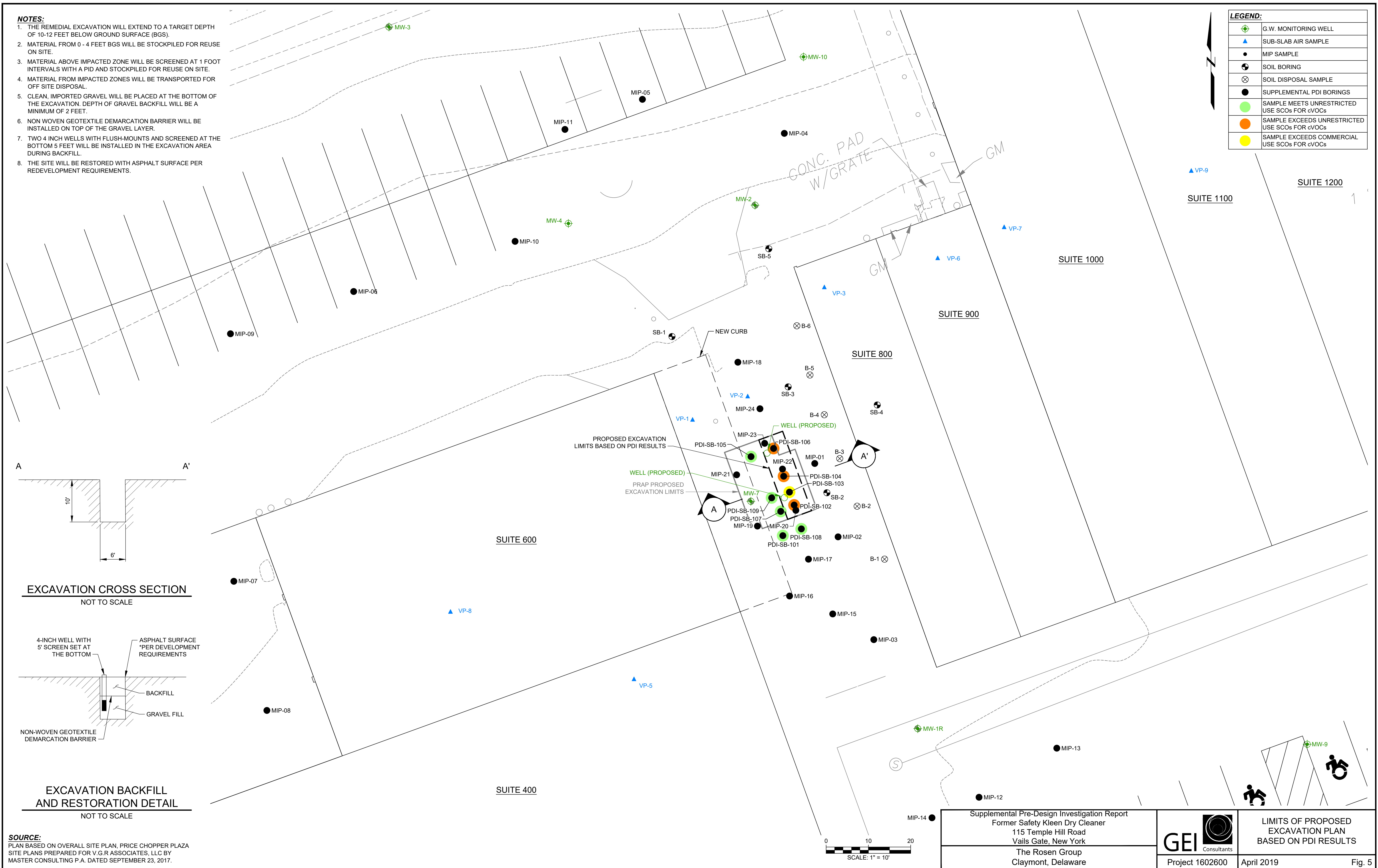


Supplemental Pre-Design Investigation Report Former Safety Kleen Dry Cleaner 115 Temple Hill Road Vails Gate, New York		CROSS SECTION C-C'
The Rosen Group Claymont, Delaware	Project 1602600	April 2019 <span style="float: right;">Fig. 4</span>

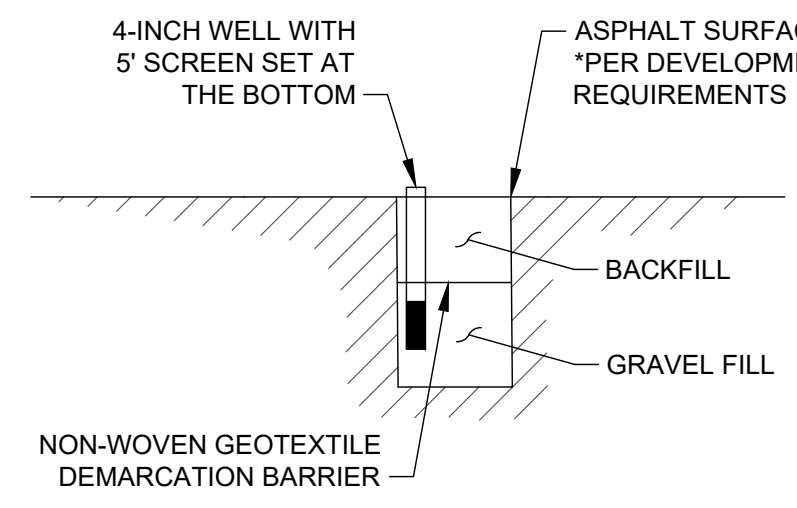


- NOTES:**
1. THE REMEDIAL EXCAVATION WILL EXTEND TO A TARGET DEPTH OF 10-12 FEET BELOW GROUND SURFACE (BGS).
  2. MATERIAL FROM 0 - 4 FEET BGS WILL BE STOCKPILED FOR REUSE ON SITE.
  3. MATERIAL ABOVE IMPACTED ZONE WILL BE SCREENED AT 1 FOOT INTERVALS WITH A PID AND STOCKPILED FOR REUSE ON SITE.
  4. MATERIAL FROM IMPACTED ZONES WILL BE TRANSPORTED FOR OFF SITE DISPOSAL.
  5. CLEAN, IMPORTED GRAVEL WILL BE PLACED AT THE BOTTOM OF THE EXCAVATION. DEPTH OF GRAVEL BACKFILL WILL BE A MINIMUM OF 2 FEET.
  6. NON WOVEN GEOTEXTILE DEMARCATION BARRIER WILL BE INSTALLED ON TOP OF THE GRAVEL LAYER.
  7. TWO 4 INCH WELLS WITH FLUSH-MOUNTS AND SCREENED AT THE BOTTOM 5 FEET WILL BE INSTALLED IN THE EXCAVATION AREA DURING BACKFILL.
  8. THE SITE WILL BE RESTORED WITH ASPHALT SURFACE PER REDEVELOPMENT REQUIREMENTS.

LEGEND:	
	G.W. MONITORING WELL
	SUB-SLAB AIR SAMPLE
	MIP SAMPLE
	SOIL BORING
	SOIL DISPOSAL SAMPLE
	SUPPLEMENTAL PDI BORINGS
	SAMPLE MEETS UNRESTRICTED USE SCOs FOR cVOCs
	SAMPLE EXCEEDS UNRESTRICTED USE SCOs FOR cVOCs
	SAMPLE EXCEEDS COMMERCIAL USE SCOs FOR cVOCs



**EXCAVATION CROSS SECTION**  
NOT TO SCALE



**EXCAVATION BACKFILL AND RESTORATION DETAIL**  
NOT TO SCALE

**SOURCE:**  
PLAN BASED ON OVERALL SITE PLAN, PRICE CHOPPER PLAZA  
SITE PLANS PREPARED FOR V.G.R ASSOCIATES, LLC BY  
MASTER CONSULTING P.A. DATED SEPTEMBER 23, 2017.

Supplemental Pre-Design Investigation Report  
Former Safety Kleen Dry Cleaner  
115 Temple Hill Road  
Vails Gate, New York  
The Rosen Group  
Claymont, Delaware



**LIMITS OF PROPOSED EXCAVATION PLAN BASED ON PDI RESULTS**

Project 1602600 April 2019 Fig. 5

**Attachment 1**  
**Soil Boring Logs**



GEI Consultants, Inc.  
455 Winding Brook Road  
Glastonbury, CT 06033  
(860) 368-5300

CLIENT: The Rosen Group  
PROJECT: Former Safety Kleen Dry Cleaner  
CITY/STATE: New Windsor, New York  
GEI PROJECT NUMBER: 1602600

**BORING LOG**

PAGE  
1 of 1

**PDI-SB-101**

GROUND SURFACE ELEVATION (FT): 282.00 LOCATION: 115 Temple Hill Road, Vails Gate, New York  
 NORTHING (FT): \_\_\_\_\_ EASTING (FT): \_\_\_\_\_ TOTAL DEPTH (FT): 4.5  
 DRILLED BY: Cascade Drilling / Roger Burley DATUM VERT. / HORZ.: \_\_\_\_\_  
 LOGGED BY: Bosede Akereyeni DATE START / END: 3/28/2019 - 3/28/2019  
 DRILLING DETAILS: Geoprobe / Core Type: Macro Core  
 WATER LEVEL DEPTHS (FT): \_\_\_\_\_  
 GENERAL NOTE: \_\_\_\_\_

ELEV. FT.	DEPTH FT.	SAMPLE INFO			STRATA	SOIL / BEDROCK DESCRIPTION
		TYPE	PEN/REC IN./IN.	PID (PPM)		
	0	GP	54/24	0.3		0.66': Asphalt.
	280					S-1A (0.66-0.92'): Fragments of asphalt. Base of Asphalt. S-1B (0.92 - 2') GRAVELLY SILT (ML); ~60% Medium plasticity fines, ~30% fine to coarse gravel, ~10% fine sand, light brown, moist.

End of Boring at 4.5 feet.  
Probe Refusal. Concrete chips and rock fragments.  
Backfilled hole and brought to grade with cold-patch asphalt.

ENVIRONMENTAL BORING LOG FOR NYACK FORMER SAFETY KLEEN SITE- 1602600.GPJ FULTON DATA TEMPLATE.GDT 4/22/19

**NOTES:**

PEN = PENETRATION LENGTH OF SAMPLER OR CORE BARREL    ppm = PARTS PER MILLION    NLO = NAPHTHALENE LIKE ODOR    CrLO= CREOSOTE LIKE ODOR  
 REC = RECOVERY LENGTH OF SAMPLE    IN. = INCHES    PLO = PETROLEUM LIKE ODOR    OLO = ORGANIC LIKE ODOR  
 PID = PHOTOIONIZATION DETECTOR READING    FT. = FEET    TLO = TAR LIKE ODOR    SLO = SULFUR LIKE ODOR  
 JHS = JAR HEADSPACE PID READING    CLO = CHEMICAL LIKE ODOR    MLO = MUSTY LIKE ODOR  
 ALO = ASPHALT LIKE ODOR

NA = NOT APPLICABLE    Q<sub>p</sub> = POCKET PENETROMETER  
 NM = NOT MEASURED    S<sub>v</sub> = TORVANE PEAK



GEI Consultants, Inc.  
455 Winding Brook Road  
Glastonbury, CT 06033  
(860) 368-5300

CLIENT: The Rosen Group  
PROJECT: Former Safety Kleen Dry Cleaner  
CITY/STATE: New Windsor, New York  
GEI PROJECT NUMBER: 1602600

**BORING LOG**

PAGE  
1 of 1

**PDI-SB-102**

GROUND SURFACE ELEVATION (FT): 282.00 LOCATION: 115 Temple Hill Road, Vails Gate, New York  
NORTHING (FT): \_\_\_\_\_ EASTING (FT): \_\_\_\_\_ TOTAL DEPTH (FT): 12.0  
DRILLED BY: Cascade Drilling / Roger Burley DATUM VERT. / HORZ.: \_\_\_\_\_  
LOGGED BY: Bosede Akereyeni DATE START / END: 3/28/2019 - 3/28/2019  
DRILLING DETAILS: Geoprobe / Core Type: Macro Core  
WATER LEVEL DEPTHS (FT): \_\_\_\_\_  
GENERAL NOTE: \_\_\_\_\_

ENVIRONMENTAL BORING LOG FOR NYACK FORMER SAFETY KLEEN SITE- 1602600.GPJ FULTON DATA TEMPLATE.GDT 4/22/19

ELEV. FT.	DEPTH FT.	SAMPLE INFO			STRATA	SOIL / BEDROCK DESCRIPTION
		TYPE	PEN/REC IN./IN.	PID (PPM)		
0	0	GP	48/34	0.4		(0.75') Asphalt.
280						S-1A (0.75-1.2'): Fragments of asphalt. Base of Asphalt. S-1B (1.2- 2.8'): SILTY GRAVEL WITH SAND (GM); ~40% coarse gravel, ~40% Nonplastic fines, ~20% fine sand, light brown, damp. Fragmented cobbles pieces up to 1.5".
5		GP	48/34	1.0		S-2A (4.-5.58'); SILT (ML); ~90% Low plasticity to medium plasticity fines, ~5% fine sand, ~5% fine gravel, light brown, moist.
275						S-2B (5.58-5.83'): Fragmented cobbles; pieces up to 1.5"
						S-2C (5.83-6.83'): Similar to S-2A.
10		GP	48/18	0.4		S-3A (8 - 8.58'): SILT (ML); ~90% Low plasticity to medium plasticity fines, ~10% fine sand, brown, moist.
						S-3B (8.58- 8.83'): SILT WITH GRAVEL (ML); ~70% Low plasticity to medium plasticity fines, ~20% fine to coarse gravel, ~10% fine to coarse sand, gray to light brown, moist.
						S-3C (8.83-9.50'): SILT WITH GRAVEL (ML); ~80% Low plasticity to medium plasticity fines, ~15% fine to coarse gravel, ~5% fine sand, light brown, moist.
270						End of Boring at 12 feet. Planned Extent. Backfilled hole and brought to grade with cold-patch asphalt.

**NOTES:**

PEN = PENETRATION LENGTH OF SAMPLER OR CORE BARREL	ppm = PARTS PER MILLION	NLO = NAPHTHALENE LIKE ODOR	CrLO= CREOSOTE LIKE ODOR
REC = RECOVERY LENGTH OF SAMPLE	IN. = INCHES	PLO = PETROLEUM LIKE ODOR	OLO = ORGANIC LIKE ODOR
PID = PHOTOIONIZATION DETECTOR READING	FT. = FEET	TLO = TAR LIKE ODOR	SLO = SULFUR LIKE ODOR
JHS = JAR HEADSPACE PID READING		CLO = CHEMICAL LIKE ODOR	MLO = MUSTY LIKE ODOR
		ALO = ASPHALT LIKE ODOR	
NA = NOT APPLICABLE	Q <sub>p</sub> = POCKET PENETROMETER		
NM = NOT MEASURED	S <sub>v</sub> = TORVANE PEAK		



GEI Consultants, Inc.  
455 Winding Brook Road  
Glastonbury, CT 06033  
(860) 368-5300

CLIENT: The Rosen Group  
PROJECT: Former Safety Kleen Dry Cleaner  
CITY/STATE: New Windsor, New York  
GEI PROJECT NUMBER: 1602600

**BORING LOG**

PAGE  
1 of 1

**PDI-SB-103**

GROUND SURFACE ELEVATION (FT): 282.00 LOCATION: 115 Temple Hill Road, Vails Gate, New York  
NORTHING (FT): \_\_\_\_\_ EASTING (FT): \_\_\_\_\_ TOTAL DEPTH (FT): 13.0  
DRILLED BY: Cascade Drilling / Roger Burley DATUM VERT. / HORZ.: \_\_\_\_\_  
LOGGED BY: Bosede Akereyeni DATE START / END: 3/28/2019 - 3/28/2019  
DRILLING DETAILS: Geoprobe / Core Type: Macro Core  
WATER LEVEL DEPTHS (FT): \_\_\_\_\_  
GENERAL NOTE: \_\_\_\_\_

ENVIRONMENTAL BORING LOG FOR NYACK FORMER SAFETY KLEEN SITE- 1602600.GPJ FULTON DATA TEMPLATE.GDT 4/22/19

ELEV. FT.	DEPTH FT.	SAMPLE INFO			STRATA	SOIL / BEDROCK DESCRIPTION
		TYPE	PEN/REC IN./IN.	PID (PPM)		
280	0	GP	60/37.5	0.3		0.5': Asphalt. S-1A (0.5 - 1.16'): Fragments of asphalt. Base of Asphalt. S-1B (1.16- 2.25'): SANDY SILT (ML); ~ 70% Nonplastic to low plasticity fines, ~20% f-m sand, ~10% fine gravel, light brown to reddish brown, damp. S-1C (2.25-2.5'): GRAVELLY SILT (ML); ~70% Low Plasticity fines, ~20% fine to coarse gravel, ~10% fine to coarse sand, light gray, moist. Fragmented cobbles pieces up to 1". S-1D (2.5 - 3.13'): SILT (ML); ~90% Nonplastic to Low plasticity fines, ~5% fine to coarse gravel, ~5% fine sand, light brown, moist.
275	5	GP	60/47	3.5		S-2A (5- 6.33'): SILT (ML); ~90% Nonplastic to Low plasticity fines, ~10% fine gravel, light brown, moist. S-2B (6.33-8.92'): GRAVELLY SILT (ML); ~70% LP fines, ~25% fine to coarse gravel, ~5% fine sand, light brown, moist.
270	10	GP	36/35	2.2		S-3A (10-10.9'): SILT (ML); ~90 Low Plasticity fines, ~5% fine to coarse sand, ~5% fine gravel, brown, moist. S-3B (10.9 - 11.75'): Similar to S3A, light brown to light gray. S-3C (11.75 - 12.92'): SILT (ML); ~90% Nonplastic fines, ~10% medium to coarse gravel up to 1", light orange to light brown, damp.

End of Boring at 13 feet.  
Planned Extent.  
Backfilled hole and brought to grade with cold-patch asphalt.

**NOTES:**

PEN = PENETRATION LENGTH OF SAMPLER OR CORE BARREL    ppm = PARTS PER MILLION    NLO = NAPHTHALENE LIKE ODOR    CrLO= CREOSOTE LIKE ODOR  
 REC = RECOVERY LENGTH OF SAMPLE    IN. = INCHES    PLO = PETROLEUM LIKE ODOR    OLO = ORGANIC LIKE ODOR  
 PID = PHOTOIONIZATION DETECTOR READING    FT. = FEET    TLO = TAR LIKE ODOR    SLO = SULFUR LIKE ODOR  
 JHS = JAR HEADSPACE PID READING    CLO = CHEMICAL LIKE ODOR    MLO = MUSTY LIKE ODOR  
 ALO = ASPHALT LIKE ODOR

NA = NOT APPLICABLE    Q<sub>p</sub> = POCKET PENETROMETER  
 NM = NOT MEASURED    S<sub>v</sub> = TORVANE PEAK



GEI Consultants, Inc.  
455 Winding Brook Road  
Glastonbury, CT 06033  
(860) 368-5300

CLIENT: The Rosen Group  
PROJECT: Former Safety Kleen Dry Cleaner  
CITY/STATE: New Windsor, New York  
GEI PROJECT NUMBER: 1602600

**BORING LOG**

PAGE  
1 of 1

**PDI-SB-104**

GROUND SURFACE ELEVATION (FT): 282.00 LOCATION: 115 Temple Hill Road, Vails Gate, New York  
NORTHING (FT): \_\_\_\_\_ EASTING (FT): \_\_\_\_\_ TOTAL DEPTH (FT): 12.0  
DRILLED BY: Cascade Drilling / Roger Burley DATUM VERT. / HORZ.: \_\_\_\_\_  
LOGGED BY: Bosede Akereyeni DATE START / END: 3/28/2019 - 3/28/2019  
DRILLING DETAILS: Geoprobe / Core Type: Macro Core  
WATER LEVEL DEPTHS (FT): \_\_\_\_\_  
GENERAL NOTE: \_\_\_\_\_

ENVIRONMENTAL BORING LOG FOR NYACK FORMER SAFETY KLEEN SITE- 1602600.GPJ FULTON DATA TEMPLATE.GDT 4/22/19

ELEV. FT.	DEPTH FT.	SAMPLE INFO			STRATA	SOIL / BEDROCK DESCRIPTION
		TYPE	PEN/REC IN./IN.	PID (PPM)		
280	0	GP	48/39	0.3		0.5': Asphalt. S-1A (0.5-1.08'): Fragments of asphalt. Base of Asphalt. S-1B (1.08 - 1.83): SILTY SAND (SM); ~60% fine to coarse sand, ~30% Nonplastic to Low plasticity fines, ~10% fine to coarse gravel, light brown, damp. S-1C (1.83 -3.16'): White, odorless, paste-like, smooth, moist, contains pinkish specks and gravel. Possible subbase material. S-1D (3.16 - 3.25'): SILT (ML); ~80% Low plasticity to medium plasticity fines, ~10% fine to coarse gravel, ~10% fine to coarse sand, brown, moist.
275	5	GP	48/28	0.3		S-2A (4 - 4.41'): Similar to S1C, wet. S-2B (4.41 -4.83'): Fragmented cobbles pieces up to 1", gray. S-2C (4.83 - 6.23'): GRAVELLY SILT (ML); ~80% Low plasticity to medium plasticity fines, ~20% fine to coarse gravel, light brown, wet.
270	10	GP	48/29	0.3		S-3A (8 - 8.42'): SILT (ML); ~90% Low plasticity fines, ~5% fine sand, ~5% fine gravel, light brown, moist. S-3B (8.42 - 9.92'): SILTY SAND WITH GRAVEL (SM); ~60% fine sand, ~20% Nonplastic fines, ~20% fine to medium gravel, light brown, wet. S-3C (9.92 - 10.42'): SILTY SAND WITH GRAVEL (SM); ~45% Nonplastic to low plasticity fines, ~35% fine to coarse sand, ~20% fine gravel, light brown, moist.

End of Boring at 12 feet.  
Planned Extent.  
Backfilled hole and brought to grade with cold-patch asphalt.

**NOTES:**

PEN = PENETRATION LENGTH OF SAMPLER OR CORE BARREL    ppm = PARTS PER MILLION    NLO = NAPHTHALENE LIKE ODOR    CrLO= CREOSOTE LIKE ODOR  
REC = RECOVERY LENGTH OF SAMPLE    IN. = INCHES    PLO = PETROLEUM LIKE ODOR    OLO = ORGANIC LIKE ODOR  
PID = PHOTOIONIZATION DETECTOR READING    FT. = FEET    TLO = TAR LIKE ODOR    SLO = SULFUR LIKE ODOR  
JHS = JAR HEADSPACE PID READING    CLO = CHEMICAL LIKE ODOR    MLO = MUSTY LIKE ODOR  
ALO = ASPHALT LIKE ODOR

NA = NOT APPLICABLE    Q<sub>p</sub> = POCKET PENETROMETER  
NM = NOT MEASURED    S<sub>v</sub> = TORVANE PEAK



GEI Consultants, Inc.  
455 Winding Brook Road  
Glastonbury, CT 06033  
(860) 368-5300

CLIENT: The Rosen Group  
PROJECT: Former Safety Kleen Dry Cleaner  
CITY/STATE: New Windsor, New York  
GEI PROJECT NUMBER: 1602600

**BORING LOG**

PAGE  
1 of 1

**PDI-SB-105**

GROUND SURFACE ELEVATION (FT): 282.00 LOCATION: 115 Temple Hill Road, Vails Gate, New York.  
 NORTHING (FT): \_\_\_\_\_ EASTING (FT): \_\_\_\_\_ TOTAL DEPTH (FT): 4.5  
 DRILLED BY: Cascade Drilling / Roger Burley DATUM VERT. / HORZ.: \_\_\_\_\_  
 LOGGED BY: Bosedde Akereyeni DATE START / END: 3/28/2019 - 3/28/2019  
 DRILLING DETAILS: Geoprobe / Core Type: Macro Core  
 WATER LEVEL DEPTHS (FT): \_\_\_\_\_  
 GENERAL NOTE: \_\_\_\_\_

ELEV. FT.	DEPTH FT.	SAMPLE INFO			STRATA	SOIL / BEDROCK DESCRIPTION
		TYPE	PEN/REC IN./IN.	PID (PPM)		
280	0	GP	54/26	0.4		0.5': Asphalt. S-1A (0.5-0.92'): Fragments of asphalts. Base of Asphalt. S-1B (0.92-2.2'): SILTY GRAVEL (GM); ~45% coarse gravel up to 1.5", ~45% Low plasticity fines, ~10% fine to coarse sand, light brown, damp.

End of Boring at 4.5 feet.  
Probe Refusal. Concrete chips and rock fragments.  
Backfilled hole and brought to grade with cold-patch asphalt.

ENVIRONMENTAL BORING LOG FOR NYACK FORMER SAFETY KLEEN SITE- 1602600.GPJ FULTON DATA TEMPLATE.GDT 4/22/19

**NOTES:**

PEN = PENETRATION LENGTH OF SAMPLER OR CORE BARREL    ppm = PARTS PER MILLION    NLO = NAPHTHALENE LIKE ODOR    CrLO= CREOSOTE LIKE ODOR  
 REC = RECOVERY LENGTH OF SAMPLE    IN. = INCHES    PLO = PETROLEUM LIKE ODOR    OLO = ORGANIC LIKE ODOR  
 PID = PHOTOIONIZATION DETECTOR READING    FT. = FEET    TLO = TAR LIKE ODOR    SLO = SULFUR LIKE ODOR  
 JHS = JAR HEADSPACE PID READING    CLO = CHEMICAL LIKE ODOR    MLO = MUSTY LIKE ODOR  
 ALO = ASPHALT LIKE ODOR

NA = NOT APPLICABLE    Q<sub>p</sub> = POCKET PENETROMETER  
 NM = NOT MEASURED    S<sub>v</sub> = TORVANE PEAK



GEI Consultants, Inc.  
455 Winding Brook Road  
Glastonbury, CT 06033  
(860) 368-5300

CLIENT: The Rosen Group  
PROJECT: Former Safety Kleen Dry Cleaner  
CITY/STATE: New Windsor, New York  
GEI PROJECT NUMBER: 1602600

BORING LOG  
PAGE 1 of 1  
PDI-SB-106

GROUND SURFACE ELEVATION (FT): 282.00 LOCATION: 115 Temple Hill Road, Vails Gate, New York  
NORTHING (FT): \_\_\_\_\_ EASTING (FT): \_\_\_\_\_ TOTAL DEPTH (FT): 12.0  
DRILLED BY: Cascade Drilling / Roger Burley DATUM VERT. / HORZ.: \_\_\_\_\_  
LOGGED BY: Bosede Akereyeni DATE START / END: 3/28/2019 - 3/28/2019  
DRILLING DETAILS: Geoprobe / Core Type: Macro Core  
WATER LEVEL DEPTHS (FT): \_\_\_\_\_  
GENERAL NOTE: \_\_\_\_\_

ELEV. FT.	DEPTH FT.	SAMPLE INFO			STRATA	SOIL / BEDROCK DESCRIPTION
		TYPE	PEN/REC IN./IN.	PID (PPM)		
0		GP	60/31	0.4		0.75': Asphalt.
						S-1A (0.75 - 1.42'): Fragments of asphalt. Base of Asphalt.
						S-1B (1.42 - 2.58'): SANDY SILT (ML); ~75% Low plasticity fines, ~15% fine sand, ~10% fine gravel, light brown, moist.
	5	GP	60/8.5	0.3		S-2 (5 - 5.71'): SANDY SILT (ML); ~90% Low plasticity fines, ~5% fine sand, ~5% fine gravel, light brown, damp, stiff.
	10	GP	24/20	0.4		S-3A (10 - 10.75'): SILT (ML); ~95% Low plasticity to medium plasticity fines, ~5% fine gravel, light brown, moist.
						S-3B (10.75 - 11.67'): SILT (ML); ~90% Nonplastic to low plasticity, ~5% fine gravel, ~5% fine sand, light gray to light brown, moist.

End of Boring at 12 feet.  
Planned Extent.  
Backfilled hole and brought to grade with cold-patch asphalt.

ENVIRONMENTAL BORING LOG FOR NYACK FORMER SAFETY KLEEN SITE- 1602600.GPJ FULTON DATA TEMPLATE.GDT 4/22/19

**NOTES:**

PEN = PENETRATION LENGTH OF SAMPLER OR CORE BARREL    ppm = PARTS PER MILLION    NLO = NAPHTHALENE LIKE ODOR    CrLO= CREOSOTE LIKE ODOR  
 REC = RECOVERY LENGTH OF SAMPLE    IN. = INCHES    PLO = PETROLEUM LIKE ODOR    OLO = ORGANIC LIKE ODOR  
 PID = PHOTOIONIZATION DETECTOR READING    FT. = FEET    TLO = TAR LIKE ODOR    SLO = SULFUR LIKE ODOR  
 JHS = JAR HEADSPACE PID READING    CLO = CHEMICAL LIKE ODOR    MLO = MUSTY LIKE ODOR  
 ALO = ASPHALT LIKE ODOR

NA = NOT APPLICABLE    Q<sub>p</sub> = POCKET PENETROMETER  
 NM = NOT MEASURED    S<sub>v</sub> = TORVANE PEAK





GEI Consultants, Inc.  
455 Winding Brook Road  
Glastonbury, CT 06033  
(860) 368-5300



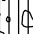
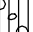
CLIENT: The Rosen Group  
PROJECT: Former Safety Kleen Dry Cleaner  
CITY/STATE: New Windsor, New York  
GEI PROJECT NUMBER: 1602600

**BORING LOG**

PAGE  
1 of 1

**PDI-SB-107**

GROUND SURFACE ELEVATION (FT): 282.00 LOCATION: 115 Temple Hill Road, Vails Gate, New York  
 NORTHING (FT): \_\_\_\_\_ EASTING (FT): \_\_\_\_\_ TOTAL DEPTH (FT): 4.5  
 DRILLED BY: Cascade Drilling / Roger Burley DATUM VERT. / HORZ.: \_\_\_\_\_  
 LOGGED BY: Bosede Akereyeni DATE START / END: 3/28/2019 - 3/28/2019  
 DRILLING DETAILS: Geoprobe / Core Type: Macro Core  
 WATER LEVEL DEPTHS (FT): \_\_\_\_\_  
 GENERAL NOTE: \_\_\_\_\_

ELEV. FT.	DEPTH FT.	SAMPLE INFO			STRATA	SOIL / BEDROCK DESCRIPTION
		TYPE	PEN/REC IN./IN.	PID (PPM)		
280	0	GP	54/41	0.3		0.58': Asphalt.
						S-1A (0.58 - 1'): Fragments of asphalt. Base of Asphalt.
						S-1B (1 - 2.42'): GRAVELLY SILT (ML); ~65% Low plasticity fines, ~30% fine to coarse gravel, ~5% fine sand, light brown, damp.
						S-1C (2.42 - 3.42''): GRAVELLY SILT (ML); ~90% Low plasticity to medium plasticity fines, ~10% fine to coarse gravel, light brown, moist.

End of Boring at 4.5 feet.  
 Probe Refusal. Concrete chips and rock fragments.  
 Backfilled hole and brought to grade with cold-patch asphalt.

ENVIRONMENTAL BORING LOG FOR NYACK FORMER SAFETY KLEEN SITE- 1602600.GPJ FULTON DATA TEMPLATE.GDT 4/22/19

**NOTES:**

PEN = PENETRATION LENGTH OF SAMPLER OR CORE BARREL    ppm = PARTS PER MILLION    NLO = NAPHTHALENE LIKE ODOR    CrLO= CREOSOTE LIKE ODOR  
 REC = RECOVERY LENGTH OF SAMPLE    IN. = INCHES    PLO = PETROLEUM LIKE ODOR    OLO = ORGANIC LIKE ODOR  
 PID = PHOTOIONIZATION DETECTOR READING    FT. = FEET    TLO = TAR LIKE ODOR    SLO = SULFUR LIKE ODOR  
 JHS = JAR HEADSPACE PID READING    CLO = CHEMICAL LIKE ODOR    MLO = MUSTY LIKE ODOR  
 ALO = ASPHALT LIKE ODOR

NA = NOT APPLICABLE    Q<sub>p</sub> = POCKET PENETROMETER  
 NM = NOT MEASURED    S<sub>v</sub> = TORVANE PEAK



GEI Consultants, Inc.  
455 Winding Brook Road  
Glastonbury, CT 06033  
(860) 368-5300

CLIENT: The Rosen Group  
PROJECT: Former Safety Kleen Dry Cleaner  
CITY/STATE: New Windsor, New York  
GEI PROJECT NUMBER: 1602600

**BORING LOG**

PAGE  
1 of 1

**PDI-SB-108**

GROUND SURFACE ELEVATION (FT): 282.00 LOCATION: 115 Temple Hill Road, Vails Gate, New York  
NORTHING (FT): \_\_\_\_\_ EASTING (FT): \_\_\_\_\_ TOTAL DEPTH (FT): 12.0  
DRILLED BY: Cascade Drilling / Roger Burley DATUM VERT. / HORZ.: \_\_\_\_\_  
LOGGED BY: Bosede Akereyeni DATE START / END: 3/29/2019 - 3/29/2019  
DRILLING DETAILS: Geoprobe / Core Type: Macro Core  
WATER LEVEL DEPTHS (FT): \_\_\_\_\_  
GENERAL NOTE: \_\_\_\_\_

ELEV. FT.	DEPTH FT.	SAMPLE INFO			STRATA	SOIL / BEDROCK DESCRIPTION
		TYPE	PEN/REC IN./IN.	PID (PPM)		
280	0	GP	48/36	0.0		0.5': Asphalt. S-1A (0.5 -1.08'): Fragments of asphalt. Base of Asphalt. S-1B (1.08 - 2'): SILTY SAND (SM); ~40% Nonplastic fines, ~40% fine sand, ~20% fine to coarse gravel, light brown, damp. Fragmented cobble, pieces up to 1". S-1C (2 -3'): GRAVELLY SILT (ML); ~55% Low plasticity fines, ~35% coarse gravel, ~10% fine sand, light brown, damp.
275	5	GP	48/36	0.0		S-2 ( 4- 7'): SILT (ML): ~80% Nonplastic to low pasticity fines, ~10% fine to coarse sand, ~10% fine to coarse gravel, light brown, moist.
270	10	GP	48/46	0.0		S-3A (8 - 8.58'): SILT WITH SAND (ML); ~80% Low plasticity to medium plasticity fines, ~15% fine to coarse sand, ~5% fine gravel, light brown, moist. S-3B (8.58 -11.83'): GRAVELLY SILT (ML); ~70% Nonplastic fines, ~20% fine to coarse gravel, ~10% fine sand, light brown, damp, fragmented cobbles pieces up to 0.5".

End of Boring at 12 feet.  
Planned Extent.  
Backfilled hole and brought to grade with cold-patch asphalt.

ENVIRONMENTAL BORING LOG FOR NYACK FORMER SAFETY KLEEN SITE- 1602600.GPJ FULTON DATA TEMPLATE.GDT 4/22/19

**NOTES:**

PEN = PENETRATION LENGTH OF SAMPLER OR CORE BARREL    ppm = PARTS PER MILLION    NLO = NAPHTHALENE LIKE ODOR    CrLO= CREOSOTE LIKE ODOR  
 REC = RECOVERY LENGTH OF SAMPLE    IN. = INCHES    PLO = PETROLEUM LIKE ODOR    OLO = ORGANIC LIKE ODOR  
 PID = PHOTOIONIZATION DETECTOR READING    FT. = FEET    TLO = TAR LIKE ODOR    SLO = SULFUR LIKE ODOR  
 JHS = JAR HEADSPACE PID READING    CLO = CHEMICAL LIKE ODOR    MLO = MUSTY LIKE ODOR  
 ALO = ASPHALT LIKE ODOR

NA = NOT APPLICABLE    Q<sub>p</sub> = POCKET PENETROMETER  
 NM = NOT MEASURED    S<sub>v</sub> = TORVANE PEAK



GEI Consultants, Inc.  
455 Winding Brook Road  
Glastonbury, CT 06033  
(860) 368-5300

CLIENT: The Rosen Group  
PROJECT: Former Safety Kleen Dry Cleaner  
CITY/STATE: New Windsor, New York  
GEI PROJECT NUMBER: 1602600

**BORING LOG**

PAGE  
1 of 1

**PDI-SB-109**

GROUND SURFACE ELEVATION (FT): 282.00 LOCATION: 115 Temple Hill Road, Vails Gate, New York  
NORTHING (FT): \_\_\_\_\_ EASTING (FT): \_\_\_\_\_ TOTAL DEPTH (FT): 4.5  
DRILLED BY: Cascade Drilling / Roger Burley DATUM VERT. / HORZ.: \_\_\_\_\_  
LOGGED BY: Bosede Akereyeni DATE START / END: 3/29/2019 - 3/29/2019  
DRILLING DETAILS: Geoprobe / Core Type: Macro Core  
WATER LEVEL DEPTHS (FT): \_\_\_\_\_  
GENERAL NOTE: \_\_\_\_\_

ELEV. FT.	DEPTH FT.	SAMPLE INFO			STRATA	SOIL / BEDROCK DESCRIPTION
		TYPE	PEN/REC IN./IN.	PID (PPM)		
280	0	GP	54/31	0.5		0.5': Asphalt S-1A (0.5 - 1'): Fragments of asphalt. Base of Asphalt. S-1B (1.83'): GRAVELLY SILT (ML); ~70% Nonplastic to low plasticity fines, ~20% fine to medium gravel, ~10% fine sand, light brown to light gray, damp. S-1C (1.83 -31"): SILT (ML): ~90% Low plasticity to medium plasticity fines, ~10% fine to coarse gravel, brown, moist.

End of Boring at 4.5 feet.  
Probe Refusal. Concrete chips and rock fragments.  
Backfilled hole and brought to grade with cold-patch asphalt.

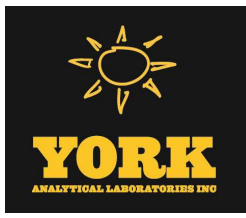
ENVIRONMENTAL BORING LOG FOR NYACK FORMER SAFETY KLEEN SITE- 1602600.GPJ FULTON DATA TEMPLATE.GDT 4/22/19

**NOTES:**

PEN = PENETRATION LENGTH OF SAMPLER OR CORE BARREL    ppm = PARTS PER MILLION    NLO = NAPHTHALENE LIKE ODOR    CrLO= CREOSOTE LIKE ODOR  
REC = RECOVERY LENGTH OF SAMPLE    IN. = INCHES    PLO = PETROLEUM LIKE ODOR    OLO = ORGANIC LIKE ODOR  
PID = PHOTOIONIZATION DETECTOR READING    FT. = FEET    TLO = TAR LIKE ODOR    SLO = SULFUR LIKE ODOR  
JHS = JAR HEADSPACE PID READING    CLO = CHEMICAL LIKE ODOR    MLO = MUSTY LIKE ODOR  
ALO = ASPHALT LIKE ODOR

NA = NOT APPLICABLE    Q<sub>p</sub> = POCKET PENETROMETER  
NM = NOT MEASURED    S<sub>v</sub> = TORVANE PEAK

**Attachment 2**  
**Laboratory Analytical Results**



# Technical Report

prepared for:

**GEI Consultants, Inc**  
110 Walt Whitman Road, Suite 204  
Huntington Station NY, 11746  
**Attention: Nick Recchia**

Report Date: 04/08/2019  
**Client Project ID: 1602600 Former Safety Kleen**  
York Project (SDG) No.: 19C1272

CT Cert. No. PH-0723

New Jersey Cert. No. CT005 and NY037



New York Cert. Nos. 10854 and 12058

PA Cert. No. 68-04440

120 RESEARCH DRIVE  
[www.YORKLAB.com](http://www.YORKLAB.com)

STRATFORD, CT 06615  
(203) 325-1371



132-02 89th AVENUE  
FAX (203) 357-0166

RICHMOND HILL, NY 11418  
[ClientServices@yorklab.com](mailto:ClientServices@yorklab.com)

**GEI Consultants, Inc**  
110 Walt Whitman Road, Suite 204  
Huntington Station NY, 11746  
Attention: Nick Recchia

## Purpose and Results

This report contains the analytical data for the sample(s) identified on the attached chain-of-custody received in our laboratory on March 29, 2019 and listed below. The project was identified as your project: **1602600 Former Safety Kleen**.

The analyses were conducted utilizing appropriate EPA, Standard Methods, and ASTM methods as detailed in the data summary tables.

All samples were received in proper condition meeting the customary acceptance requirements for environmental samples except those indicated under the Sample and Analysis Qualifiers section of this report.

All analyses met the method and laboratory standard operating procedure requirements except as indicated by any data flags, the meaning of which are explained in the Sample and Data Qualifiers Relating to This Work Order section of this report and case narrative if applicable.

The results of the analyses, which are all reported on dry weight basis (soils) unless otherwise noted, are detailed in the following pages.

Please contact Client Services at 203.325.1371 with any questions regarding this report.

<u>York Sample ID</u>	<u>Client Sample ID</u>	<u>Matrix</u>	<u>Date Collected</u>	<u>Date Received</u>
19C1272-01	PD1-SB-105 (0-4') Grab	Soil	03/28/2019	03/29/2019
19C1272-02	PD1-SB-106 (0-4') Grab	Soil	03/28/2019	03/29/2019
19C1272-03	PD1-SB-106 (4-7.5') Grab	Soil	03/28/2019	03/29/2019
19C1272-04	PD1-SB-106 (9.5-12') Grab	Soil	03/28/2019	03/29/2019
19C1272-05	PD1-SB-103 (0-4') Grab	Soil	03/28/2019	03/29/2019
19C1272-06	PD1-SB-103 (4-7.5') Grab	Soil	03/28/2019	03/29/2019
19C1272-07	PD1-SB-103 (7.5-8.5') Grab	Soil	03/28/2019	03/29/2019
19C1272-08	PD1-SB-103 (8.5-9.5') Grab	Soil	03/28/2019	03/29/2019
19C1272-09	PD1-SB-103 (9.5-12') Grab	Soil	03/28/2019	03/29/2019
19C1272-10	PD1-SB-102 (0-4') Grab	Soil	03/28/2019	03/29/2019
19C1272-11	PD1-SB-102 (7.5-8.5') Grab	Soil	03/28/2019	03/29/2019
19C1272-12	DUP-1	Soil	03/28/2019	03/29/2019
19C1272-13	PD1-SB-102 (4.7-8.5') Grab	Soil	03/28/2019	03/29/2019
19C1272-14	PD1-SB-102 (8.5-9.5') Grab	Soil	03/28/2019	03/29/2019
19C1272-15	PD1-SB-102 (9.5-12') Grab	Soil	03/28/2019	03/29/2019
19C1272-16	PD1-SB-101 (0-4') Grab	Soil	03/28/2019	03/29/2019
19C1272-17	PD1-SB-107 (0-4') Grab	Soil	03/28/2019	03/29/2019
19C1272-18	PD1-SB-104 (0-4') Grab	Soil	03/28/2019	03/29/2019
19C1272-19	PD1-SB-104 (4-7.5') Grab	Soil	03/28/2019	03/29/2019
19C1272-20	PD1-SB-104 (7.5-8.5') Grab	Soil	03/28/2019	03/29/2019
19C1272-21	PD1-SB-104 (8.5-9.5') Grab	Soil	03/28/2019	03/29/2019
19C1272-22	PD1-SB-104 (9.5-12') Grab	Soil	03/28/2019	03/29/2019

<u>York Sample ID</u>	<u>Client Sample ID</u>	<u>Matrix</u>	<u>Date Collected</u>	<u>Date Received</u>
19C1272-23	FB-1	Water	03/28/2019	03/29/2019
19C1272-24	PD1-SB-108 (0-4') Grab	Soil	03/29/2019	03/29/2019
19C1272-25	PD1-SB-108 (4-7.5') Grab	Soil	03/29/2019	03/29/2019
19C1272-26	PD1-SB-108 (7.5-8.5') Grab	Soil	03/29/2019	03/29/2019
19C1272-27	PD1-SB-108 (8.5-9.5') Grab	Soil	03/29/2019	03/29/2019
19C1272-28	PD1-SB-108 (9.5-12') Grab	Soil	03/29/2019	03/29/2019
19C1272-29	DUP-2 Grab	Soil	03/29/2019	03/29/2019
19C1272-30	PD1-SB-109 (0-4') Grab	Soil	03/29/2019	03/29/2019
19C1272-31	FB-2	Water	03/29/2019	03/29/2019
19C1272-32	PD1-Composite 1 (0-8)	Soil	03/29/2019	03/29/2019
19C1272-33	PD1-Composite 2 (8-12)	Soil	03/29/2019	03/29/2019

### **General Notes for York Project (SDG) No.: 19C1272**

1. The RLs and MDLs (Reporting Limit and Method Detection Limit respectively) reported are adjusted for any dilution necessary due to the levels of target and/or non-target analytes and matrix interference. The RL(REPORTING LIMIT) is based upon the lowest standard utilized for the calibration where applicable.
2. Samples are retained for a period of thirty days after submittal of report, unless other arrangements are made.
3. York's liability for the above data is limited to the dollar value paid to York for the referenced project.
4. This report shall not be reproduced without the written approval of York Analytical Laboratories, Inc.
5. All analyses conducted met method or Laboratory SOP requirements. See the Sample and Data Qualifiers Section for further information.
6. It is noted that no analyses reported herein were subcontracted to another laboratory, unless noted in the report.
7. This report reflects results that relate only to the samples submitted on the attached chain-of-custody form(s) received by York.
8. Analyses conducted at York Analytical Laboratories, Inc. Stratford, CT are indicated by NY Cert. No. 10854; those conducted at York Analytical Laboratories, Inc., Richmond Hill, NY are indicated by NY Cert. No. 12058.

**Approved By:**



Benjamin Gulizia  
Laboratory Director

**Date:** 04/08/2019





### Sample Information

**Client Sample ID:** PD1-SB-105 (0-4') Grab

**York Sample ID:** 19C1272-01

York Project (SDG) No.	Client Project ID	Matrix	Collection Date/Time	Date Received
19C1272	1602600 Former Safety Kleen	Soil	March 28, 2019 10:02 am	03/29/2019

**Volatile Organics, 8260 - Comprehensive**

**Log-in Notes:**

**Sample Notes:**

Sample Prepared by Method: EPA 5035A

CAS No.	Parameter	Result	Flag	Units	Reported to LOD/MDL	LOQ	Dilution	Reference Method	Date/Time Prepared	Date/Time Analyzed	Analyst
630-20-6	1,1,1,2-Tetrachloroethane	ND		ug/kg dry	2.6	5.3	1	EPA 8260C Certifications: CTDOH,NELAC-NY10854,NELAC-NY12058,NJDEP,PADEP	04/02/2019 10:08	04/02/2019 11:09	LLJ
71-55-6	1,1,1-Trichloroethane	ND		ug/kg dry	2.6	5.3	1	EPA 8260C Certifications: CTDOH,NELAC-NY10854,NELAC-NY12058,NJDEP,PADEP	04/02/2019 10:08	04/02/2019 11:09	LLJ
79-34-5	1,1,2,2-Tetrachloroethane	ND		ug/kg dry	2.6	5.3	1	EPA 8260C Certifications: CTDOH,NELAC-NY10854,NELAC-NY12058,NJDEP,PADEP	04/02/2019 10:08	04/02/2019 11:09	LLJ
76-13-1	1,1,2-Trichloro-1,2,2-trifluoroethane (Freon 113)	ND		ug/kg dry	2.6	5.3	1	EPA 8260C Certifications: CTDOH,NELAC-NY10854,NELAC-NY12058,NJDEP	04/02/2019 10:08	04/02/2019 11:09	LLJ
79-00-5	1,1,2-Trichloroethane	ND		ug/kg dry	2.6	5.3	1	EPA 8260C Certifications: CTDOH,NELAC-NY10854,NELAC-NY12058,NJDEP,PADEP	04/02/2019 10:08	04/02/2019 11:09	LLJ
75-34-3	1,1-Dichloroethane	ND		ug/kg dry	2.6	5.3	1	EPA 8260C Certifications: CTDOH,NELAC-NY10854,NELAC-NY12058,NJDEP,PADEP	04/02/2019 10:08	04/02/2019 11:09	LLJ
75-35-4	1,1-Dichloroethylene	ND		ug/kg dry	2.6	5.3	1	EPA 8260C Certifications: CTDOH,NELAC-NY10854,NELAC-NY12058,NJDEP,PADEP	04/02/2019 10:08	04/02/2019 11:09	LLJ
87-61-6	1,2,3-Trichlorobenzene	ND		ug/kg dry	2.6	5.3	1	EPA 8260C Certifications: NELAC-NY10854,NELAC-NY12058,NJDEP,PADEP	04/02/2019 10:08	04/02/2019 11:09	LLJ
96-18-4	1,2,3-Trichloropropane	ND		ug/kg dry	2.6	5.3	1	EPA 8260C Certifications: NELAC-NY10854,NELAC-NY12058,NJDEP	04/02/2019 10:08	04/02/2019 11:09	LLJ
120-82-1	1,2,4-Trichlorobenzene	ND		ug/kg dry	2.6	5.3	1	EPA 8260C Certifications: NELAC-NY10854,NELAC-NY12058,NJDEP,PADEP	04/02/2019 10:08	04/02/2019 11:09	LLJ
95-63-6	1,2,4-Trimethylbenzene	ND		ug/kg dry	2.6	5.3	1	EPA 8260C Certifications: CTDOH,NELAC-NY10854,NELAC-NY12058,NJDEP,PADEP	04/02/2019 10:08	04/02/2019 11:09	LLJ
96-12-8	1,2-Dibromo-3-chloropropane	ND		ug/kg dry	2.6	5.3	1	EPA 8260C Certifications: CTDOH,NELAC-NY10854,NELAC-NY12058,NJDEP,PADEP	04/02/2019 10:08	04/02/2019 11:09	LLJ
106-93-4	1,2-Dibromoethane	ND		ug/kg dry	2.6	5.3	1	EPA 8260C Certifications: CTDOH,NELAC-NY10854,NELAC-NY12058,NJDEP,PADEP	04/02/2019 10:08	04/02/2019 11:09	LLJ
95-50-1	1,2-Dichlorobenzene	ND		ug/kg dry	2.6	5.3	1	EPA 8260C Certifications: CTDOH,NELAC-NY10854,NELAC-NY12058,NJDEP,PADEP	04/02/2019 10:08	04/02/2019 11:09	LLJ
107-06-2	1,2-Dichloroethane	ND		ug/kg dry	2.6	5.3	1	EPA 8260C Certifications: CTDOH,NELAC-NY10854,NELAC-NY12058,NJDEP,PADEP	04/02/2019 10:08	04/02/2019 11:09	LLJ
78-87-5	1,2-Dichloropropane	ND		ug/kg dry	2.6	5.3	1	EPA 8260C Certifications: CTDOH,NELAC-NY10854,NELAC-NY12058,NJDEP,PADEP	04/02/2019 10:08	04/02/2019 11:09	LLJ
108-67-8	1,3,5-Trimethylbenzene	ND		ug/kg dry	2.6	5.3	1	EPA 8260C Certifications: CTDOH,NELAC-NY10854,NELAC-NY12058,NJDEP,PADEP	04/02/2019 10:08	04/02/2019 11:09	LLJ
541-73-1	1,3-Dichlorobenzene	ND		ug/kg dry	2.6	5.3	1	EPA 8260C Certifications: CTDOH,NELAC-NY10854,NELAC-NY12058,NJDEP,PADEP	04/02/2019 10:08	04/02/2019 11:09	LLJ
106-46-7	1,4-Dichlorobenzene	ND		ug/kg dry	2.6	5.3	1	EPA 8260C Certifications: CTDOH,NELAC-NY10854,NELAC-NY12058,NJDEP,PADEP	04/02/2019 10:08	04/02/2019 11:09	LLJ
123-91-1	1,4-Dioxane	ND		ug/kg dry	53	110	1	EPA 8260C Certifications: NELAC-NY10854,NELAC-NY12058,NJDEP,PADEP	04/02/2019 10:08	04/02/2019 11:09	LLJ
78-93-3	2-Butanone	ND		ug/kg dry	2.6	5.3	1	EPA 8260C Certifications: CTDOH,NELAC-NY10854,NELAC-NY12058,NJDEP,PADEP	04/02/2019 10:08	04/02/2019 11:09	LLJ
591-78-6	2-Hexanone	ND		ug/kg dry	2.6	5.3	1	EPA 8260C Certifications: CTDOH,NELAC-NY10854,NELAC-NY12058,NJDEP,PADEP	04/02/2019 10:08	04/02/2019 11:09	LLJ





### Sample Information

**Client Sample ID:** PD1-SB-105 (0-4') Grab

**York Sample ID:** 19C1272-01

York Project (SDG) No.

Client Project ID

Matrix

Collection Date/Time

Date Received

19C1272

1602600 Former Safety Kleen

Soil

March 28, 2019 10:02 am

03/29/2019

**Volatile Organics, 8260 - Comprehensive**

**Log-in Notes:**

**Sample Notes:**

Sample Prepared by Method: EPA 5035A

CAS No.	Parameter	Result	Flag	Units	Reported to LOD/MDL	LOQ	Dilution	Reference Method	Date/Time Prepared	Date/Time Analyzed	Analyst
108-10-1	4-Methyl-2-pentanone	ND		ug/kg dry	2.6	5.3	1	EPA 8260C Certifications: CTDOH,NELAC-NY10854,NELAC-NY12058,NJDEP,PADEP	04/02/2019 10:08	04/02/2019 11:09	LLJ
67-64-1	Acetone	8.1	J	ug/kg dry	5.3	11	1	EPA 8260C Certifications: CTDOH,NELAC-NY10854,NELAC-NY12058,NJDEP,PADEP	04/02/2019 10:08	04/02/2019 11:09	LLJ
107-02-8	Acrolein	ND		ug/kg dry	5.3	11	1	EPA 8260C Certifications: CTDOH,NELAC-NY10854,NELAC-NY12058,NJDEP,PADEP	04/02/2019 10:08	04/02/2019 11:09	LLJ
107-13-1	Acrylonitrile	ND		ug/kg dry	2.6	5.3	1	EPA 8260C Certifications: CTDOH,NELAC-NY10854,NELAC-NY12058,NJDEP,PADEP	04/02/2019 10:08	04/02/2019 11:09	LLJ
71-43-2	Benzene	ND		ug/kg dry	2.6	5.3	1	EPA 8260C Certifications: CTDOH,NELAC-NY10854,NELAC-NY12058,NJDEP,PADEP	04/02/2019 10:08	04/02/2019 11:09	LLJ
74-97-5	Bromochloromethane	ND		ug/kg dry	2.6	5.3	1	EPA 8260C Certifications: NELAC-NY10854,NELAC-NY12058,NJDEP,PADEP	04/02/2019 10:08	04/02/2019 11:09	LLJ
75-27-4	Bromodichloromethane	ND		ug/kg dry	2.6	5.3	1	EPA 8260C Certifications: CTDOH,NELAC-NY10854,NELAC-NY12058,NJDEP,PADEP	04/02/2019 10:08	04/02/2019 11:09	LLJ
75-25-2	Bromoform	ND		ug/kg dry	2.6	5.3	1	EPA 8260C Certifications: CTDOH,NELAC-NY10854,NELAC-NY12058,NJDEP,PADEP	04/02/2019 10:08	04/02/2019 11:09	LLJ
74-83-9	Bromomethane	ND		ug/kg dry	2.6	5.3	1	EPA 8260C Certifications: CTDOH,NELAC-NY10854,NELAC-NY12058,NJDEP,PADEP	04/02/2019 10:08	04/02/2019 11:09	LLJ
75-15-0	Carbon disulfide	ND		ug/kg dry	2.6	5.3	1	EPA 8260C Certifications: CTDOH,NELAC-NY10854,NELAC-NY12058,NJDEP,PADEP	04/02/2019 10:08	04/02/2019 11:09	LLJ
56-23-5	Carbon tetrachloride	ND		ug/kg dry	2.6	5.3	1	EPA 8260C Certifications: CTDOH,NELAC-NY10854,NELAC-NY12058,NJDEP,PADEP	04/02/2019 10:08	04/02/2019 11:09	LLJ
108-90-7	Chlorobenzene	ND		ug/kg dry	2.6	5.3	1	EPA 8260C Certifications: CTDOH,NELAC-NY10854,NELAC-NY12058,NJDEP,PADEP	04/02/2019 10:08	04/02/2019 11:09	LLJ
75-00-3	Chloroethane	ND		ug/kg dry	2.6	5.3	1	EPA 8260C Certifications: CTDOH,NELAC-NY10854,NELAC-NY12058,NJDEP,PADEP	04/02/2019 10:08	04/02/2019 11:09	LLJ
67-66-3	Chloroform	ND		ug/kg dry	2.6	5.3	1	EPA 8260C Certifications: CTDOH,NELAC-NY10854,NELAC-NY12058,NJDEP,PADEP	04/02/2019 10:08	04/02/2019 11:09	LLJ
74-87-3	Chloromethane	ND		ug/kg dry	2.6	5.3	1	EPA 8260C Certifications: CTDOH,NELAC-NY10854,NELAC-NY12058,NJDEP,PADEP	04/02/2019 10:08	04/02/2019 11:09	LLJ
156-59-2	cis-1,2-Dichloroethylene	ND		ug/kg dry	2.6	5.3	1	EPA 8260C Certifications: CTDOH,NELAC-NY10854,NELAC-NY12058,NJDEP,PADEP	04/02/2019 10:08	04/02/2019 11:09	LLJ
10061-01-5	cis-1,3-Dichloropropylene	ND		ug/kg dry	2.6	5.3	1	EPA 8260C Certifications: CTDOH,NELAC-NY10854,NELAC-NY12058,NJDEP,PADEP	04/02/2019 10:08	04/02/2019 11:09	LLJ
110-82-7	Cyclohexane	ND		ug/kg dry	2.6	5.3	1	EPA 8260C Certifications: NELAC-NY10854,NELAC-NY12058,NJDEP,PADEP	04/02/2019 10:08	04/02/2019 11:09	LLJ
124-48-1	Dibromochloromethane	ND		ug/kg dry	2.6	5.3	1	EPA 8260C Certifications: NELAC-NY10854,NELAC-NY12058,NJDEP,PADEP	04/02/2019 10:08	04/02/2019 11:09	LLJ
74-95-3	Dibromomethane	ND		ug/kg dry	2.6	5.3	1	EPA 8260C Certifications: NELAC-NY10854,NELAC-NY12058,NJDEP,PADEP	04/02/2019 10:08	04/02/2019 11:09	LLJ
75-71-8	Dichlorodifluoromethane	ND		ug/kg dry	2.6	5.3	1	EPA 8260C Certifications: NELAC-NY10854,NELAC-NY12058,NJDEP,PADEP	04/02/2019 10:08	04/02/2019 11:09	LLJ
100-41-4	Ethyl Benzene	ND		ug/kg dry	2.6	5.3	1	EPA 8260C Certifications: CTDOH,NELAC-NY10854,NELAC-NY12058,NJDEP,PADEP	04/02/2019 10:08	04/02/2019 11:09	LLJ
87-68-3	Hexachlorobutadiene	ND		ug/kg dry	2.6	5.3	1	EPA 8260C Certifications: NELAC-NY10854,NELAC-NY12058,NJDEP,PADEP	04/02/2019 10:08	04/02/2019 11:09	LLJ



### Sample Information

**Client Sample ID:** PD1-SB-105 (0-4') Grab

**York Sample ID:** 19C1272-01

York Project (SDG) No.

Client Project ID

Matrix

Collection Date/Time

Date Received

19C1272

1602600 Former Safety Kleen

Soil

March 28, 2019 10:02 am

03/29/2019

**Volatile Organics, 8260 - Comprehensive**

**Log-in Notes:**

**Sample Notes:**

Sample Prepared by Method: EPA 5035A

CAS No.	Parameter	Result	Flag	Units	Reported to LOD/MDL	LOQ	Dilution	Reference Method	Date/Time Prepared	Date/Time Analyzed	Analyst
98-82-8	Isopropylbenzene	ND		ug/kg dry	2.6	5.3	1	EPA 8260C Certifications: CTDOH,NELAC-NY10854,NELAC-NY12058,NJDEP,PADEP	04/02/2019 10:08	04/02/2019 11:09	LLJ
79-20-9	Methyl acetate	ND		ug/kg dry	2.6	5.3	1	EPA 8260C Certifications: NELAC-NY10854,NELAC-NY12058,NJDEP,PADEP	04/02/2019 10:08	04/02/2019 11:09	LLJ
1634-04-4	Methyl tert-butyl ether (MTBE)	ND		ug/kg dry	2.6	5.3	1	EPA 8260C Certifications: CTDOH,NELAC-NY10854,NELAC-NY12058,NJDEP,PADEP	04/02/2019 10:08	04/02/2019 11:09	LLJ
108-87-2	Methylcyclohexane	ND		ug/kg dry	2.6	5.3	1	EPA 8260C Certifications: NELAC-NY10854,NELAC-NY12058,NJDEP,PADEP	04/02/2019 10:08	04/02/2019 11:09	LLJ
75-09-2	<b>Methylene chloride</b>	<b>6.4</b>	<b>J</b>	ug/kg dry	5.3	11	1	EPA 8260C Certifications: CTDOH,NELAC-NY10854,NELAC-NY12058,NJDEP,PADEP	04/02/2019 10:08	04/02/2019 11:09	LLJ
104-51-8	n-Butylbenzene	ND		ug/kg dry	2.6	5.3	1	EPA 8260C Certifications: CTDOH,NELAC-NY10854,NELAC-NY12058,NJDEP,PADEP	04/02/2019 10:08	04/02/2019 11:09	LLJ
103-65-1	n-Propylbenzene	ND		ug/kg dry	2.6	5.3	1	EPA 8260C Certifications: CTDOH,NELAC-NY10854,NELAC-NY12058,NJDEP,PADEP	04/02/2019 10:08	04/02/2019 11:09	LLJ
95-47-6	o-Xylene	ND		ug/kg dry	2.6	5.3	1	EPA 8260C Certifications: CTDOH,NELAC-NY10854,NELAC-NY12058,PADEP	04/02/2019 10:08	04/02/2019 11:09	LLJ
179601-23-1	p- & m- Xylenes	ND		ug/kg dry	5.3	11	1	EPA 8260C Certifications: CTDOH,NELAC-NY10854,NELAC-NY12058,PADEP	04/02/2019 10:08	04/02/2019 11:09	LLJ
99-87-6	p-Isopropyltoluene	ND		ug/kg dry	2.6	5.3	1	EPA 8260C Certifications: CTDOH,NELAC-NY10854,NELAC-NY12058,NJDEP,PADEP	04/02/2019 10:08	04/02/2019 11:09	LLJ
135-98-8	sec-Butylbenzene	ND		ug/kg dry	2.6	5.3	1	EPA 8260C Certifications: CTDOH,NELAC-NY10854,NELAC-NY12058,NJDEP,PADEP	04/02/2019 10:08	04/02/2019 11:09	LLJ
100-42-5	Styrene	ND		ug/kg dry	2.6	5.3	1	EPA 8260C Certifications: CTDOH,NELAC-NY10854,NELAC-NY12058,NJDEP,PADEP	04/02/2019 10:08	04/02/2019 11:09	LLJ
75-65-0	tert-Butyl alcohol (TBA)	ND		ug/kg dry	2.6	5.3	1	EPA 8260C Certifications: NELAC-NY10854,NELAC-NY12058,NJDEP,PADEP	04/02/2019 10:08	04/02/2019 11:09	LLJ
98-06-6	tert-Butylbenzene	ND		ug/kg dry	2.6	5.3	1	EPA 8260C Certifications: CTDOH,NELAC-NY10854,NELAC-NY12058,NJDEP,PADEP	04/02/2019 10:08	04/02/2019 11:09	LLJ
127-18-4	<b>Tetrachloroethylene</b>	<b>5.8</b>		ug/kg dry	2.6	5.3	1	EPA 8260C Certifications: CTDOH,NELAC-NY10854,NELAC-NY12058,NJDEP,PADEP	04/02/2019 10:08	04/02/2019 11:09	LLJ
108-88-3	Toluene	ND		ug/kg dry	2.6	5.3	1	EPA 8260C Certifications: CTDOH,NELAC-NY10854,NELAC-NY12058,NJDEP,PADEP	04/02/2019 10:08	04/02/2019 11:09	LLJ
156-60-5	trans-1,2-Dichloroethylene	ND		ug/kg dry	2.6	5.3	1	EPA 8260C Certifications: CTDOH,NELAC-NY10854,NELAC-NY12058,NJDEP,PADEP	04/02/2019 10:08	04/02/2019 11:09	LLJ
10061-02-6	trans-1,3-Dichloropropylene	ND		ug/kg dry	2.6	5.3	1	EPA 8260C Certifications: CTDOH,NELAC-NY10854,NELAC-NY12058,NJDEP,PADEP	04/02/2019 10:08	04/02/2019 11:09	LLJ
110-57-6	* trans-1,4-dichloro-2-butene	ND		ug/kg dry	2.6	5.3	1	EPA 8260C Certifications: CTDOH	04/02/2019 10:08	04/02/2019 11:09	LLJ
79-01-6	Trichloroethylene	ND		ug/kg dry	2.6	5.3	1	EPA 8260C Certifications: CTDOH,NELAC-NY10854,NELAC-NY12058,NJDEP,PADEP	04/02/2019 10:08	04/02/2019 11:09	LLJ
75-69-4	Trichlorofluoromethane	ND		ug/kg dry	2.6	5.3	1	EPA 8260C Certifications: CTDOH,NELAC-NY10854,NELAC-NY12058,NJDEP,PADEP	04/02/2019 10:08	04/02/2019 11:09	LLJ
75-01-4	Vinyl Chloride	ND		ug/kg dry	2.6	5.3	1	EPA 8260C Certifications: CTDOH,NELAC-NY10854,NELAC-NY12058,NJDEP,PADEP	04/02/2019 10:08	04/02/2019 11:09	LLJ
1330-20-7	Xylenes, Total	ND		ug/kg dry	7.9	16	1	EPA 8260C Certifications: CTDOH,NELAC-NY10854,NELAC-NY12058,NJDEP	04/02/2019 10:08	04/02/2019 11:09	LLJ

Surrogate Recoveries

Result

Acceptance Range



### Sample Information

**Client Sample ID:** PD1-SB-105 (0-4') Grab

**York Sample ID:** 19C1272-01

<u>York Project (SDG) No.</u> 19C1272	<u>Client Project ID</u> 1602600 Former Safety Kleen	<u>Matrix</u> Soil	<u>Collection Date/Time</u> March 28, 2019 10:02 am	<u>Date Received</u> 03/29/2019
--	---	-----------------------	--	------------------------------------

**Volatile Organics, 8260 - Comprehensive**

Log-in Notes:

Sample Notes:

Sample Prepared by Method: EPA 5035A

CAS No.	Parameter	Result	Flag	Units	Reported to LOD/MDL	LOQ	Dilution	Reference Method	Date/Time Prepared	Date/Time Analyzed	Analyst
17060-07-0	Surrogate: SURR: 1,2-Dichloroethane-d4	111 %			77-125						
2037-26-5	Surrogate: SURR: Toluene-d8	98.7 %			85-120						
460-00-4	Surrogate: SURR: p-Bromofluorobenzene	107 %			76-130						

**Total Solids**

Log-in Notes:

Sample Notes:

Sample Prepared by Method: % Solids Prep

CAS No.	Parameter	Result	Flag	Units	Reported to LOQ	Dilution	Reference Method	Date/Time Prepared	Date/Time Analyzed	Analyst
solids	* % Solids	90.8		%	0.100	1	SM 2540G	04/04/2019 11:00	04/05/2019 12:58	AS
Certifications: CTDOH										

### Sample Information

**Client Sample ID:** PD1-SB-106 (0-4') Grab

**York Sample ID:** 19C1272-02

<u>York Project (SDG) No.</u> 19C1272	<u>Client Project ID</u> 1602600 Former Safety Kleen	<u>Matrix</u> Soil	<u>Collection Date/Time</u> March 28, 2019 10:20 am	<u>Date Received</u> 03/29/2019
--	---	-----------------------	--	------------------------------------

**Volatile Organics, 8260 - Comprehensive**

Log-in Notes:

Sample Notes: VOA-WT

Sample Prepared by Method: EPA 5035A

CAS No.	Parameter	Result	Flag	Units	Reported to LOD/MDL	LOQ	Dilution	Reference Method	Date/Time Prepared	Date/Time Analyzed	Analyst
630-20-6	1,1,1,2-Tetrachloroethane	ND		ug/kg dry	2.8	5.6	1	EPA 8260C Certifications: CTDOH,NELAC-NY10854,NELAC-NY12058,NJDEP,PADEP	04/02/2019 10:08	04/02/2019 11:36	LLJ
71-55-6	1,1,1-Trichloroethane	ND		ug/kg dry	2.8	5.6	1	EPA 8260C Certifications: CTDOH,NELAC-NY10854,NELAC-NY12058,NJDEP,PADEP	04/02/2019 10:08	04/02/2019 11:36	LLJ
79-34-5	1,1,2,2-Tetrachloroethane	ND		ug/kg dry	2.8	5.6	1	EPA 8260C Certifications: CTDOH,NELAC-NY10854,NELAC-NY12058,NJDEP,PADEP	04/02/2019 10:08	04/02/2019 11:36	LLJ
76-13-1	1,1,2-Trichloro-1,2,2-trifluoroethane (Freon 113)	ND		ug/kg dry	2.8	5.6	1	EPA 8260C Certifications: CTDOH,NELAC-NY10854,NELAC-NY12058,NJDEP	04/02/2019 10:08	04/02/2019 11:36	LLJ
79-00-5	1,1,2-Trichloroethane	ND		ug/kg dry	2.8	5.6	1	EPA 8260C Certifications: CTDOH,NELAC-NY10854,NELAC-NY12058,NJDEP,PADEP	04/02/2019 10:08	04/02/2019 11:36	LLJ
75-34-3	1,1-Dichloroethane	ND		ug/kg dry	2.8	5.6	1	EPA 8260C Certifications: CTDOH,NELAC-NY10854,NELAC-NY12058,NJDEP,PADEP	04/02/2019 10:08	04/02/2019 11:36	LLJ
75-35-4	1,1-Dichloroethylene	ND		ug/kg dry	2.8	5.6	1	EPA 8260C Certifications: CTDOH,NELAC-NY10854,NELAC-NY12058,NJDEP,PADEP	04/02/2019 10:08	04/02/2019 11:36	LLJ
87-61-6	1,2,3-Trichlorobenzene	ND		ug/kg dry	2.8	5.6	1	EPA 8260C Certifications: NELAC-NY10854,NELAC-NY12058,NJDEP,PADEP	04/02/2019 10:08	04/02/2019 11:36	LLJ
96-18-4	1,2,3-Trichloropropane	ND		ug/kg dry	2.8	5.6	1	EPA 8260C Certifications: NELAC-NY10854,NELAC-NY12058,NJDEP	04/02/2019 10:08	04/02/2019 11:36	LLJ
120-82-1	1,2,4-Trichlorobenzene	ND		ug/kg dry	2.8	5.6	1	EPA 8260C Certifications: NELAC-NY10854,NELAC-NY12058,NJDEP,PADEP	04/02/2019 10:08	04/02/2019 11:36	LLJ



### Sample Information

**Client Sample ID:** PD1-SB-106 (0-4') Grab

**York Sample ID:** 19C1272-02

York Project (SDG) No.

Client Project ID

Matrix

Collection Date/Time

Date Received

19C1272

1602600 Former Safety Kleen

Soil

March 28, 2019 10:20 am

03/29/2019

**Volatile Organics, 8260 - Comprehensive**

**Log-in Notes:**

**Sample Notes: VOA-WT**

Sample Prepared by Method: EPA 5035A

CAS No.	Parameter	Result	Flag	Units	Reported to LOD/MDL	LOQ	Dilution	Reference Method	Date/Time Prepared	Date/Time Analyzed	Analyst
95-63-6	1,2,4-Trimethylbenzene	ND		ug/kg dry	2.8	5.6	1	EPA 8260C Certifications: CTDOH,NELAC-NY10854,NELAC-NY12058,NJDEP,PADEP	04/02/2019 10:08	04/02/2019 11:36	LLJ
96-12-8	1,2-Dibromo-3-chloropropane	ND		ug/kg dry	2.8	5.6	1	EPA 8260C Certifications: CTDOH,NELAC-NY10854,NELAC-NY12058,NJDEP,PADEP	04/02/2019 10:08	04/02/2019 11:36	LLJ
106-93-4	1,2-Dibromoethane	ND		ug/kg dry	2.8	5.6	1	EPA 8260C Certifications: CTDOH,NELAC-NY10854,NELAC-NY12058,NJDEP,PADEP	04/02/2019 10:08	04/02/2019 11:36	LLJ
95-50-1	1,2-Dichlorobenzene	ND		ug/kg dry	2.8	5.6	1	EPA 8260C Certifications: CTDOH,NELAC-NY10854,NELAC-NY12058,NJDEP,PADEP	04/02/2019 10:08	04/02/2019 11:36	LLJ
107-06-2	1,2-Dichloroethane	ND		ug/kg dry	2.8	5.6	1	EPA 8260C Certifications: CTDOH,NELAC-NY10854,NELAC-NY12058,NJDEP,PADEP	04/02/2019 10:08	04/02/2019 11:36	LLJ
78-87-5	1,2-Dichloropropane	ND		ug/kg dry	2.8	5.6	1	EPA 8260C Certifications: CTDOH,NELAC-NY10854,NELAC-NY12058,NJDEP,PADEP	04/02/2019 10:08	04/02/2019 11:36	LLJ
108-67-8	1,3,5-Trimethylbenzene	ND		ug/kg dry	2.8	5.6	1	EPA 8260C Certifications: CTDOH,NELAC-NY10854,NELAC-NY12058,NJDEP,PADEP	04/02/2019 10:08	04/02/2019 11:36	LLJ
541-73-1	1,3-Dichlorobenzene	ND		ug/kg dry	2.8	5.6	1	EPA 8260C Certifications: CTDOH,NELAC-NY10854,NELAC-NY12058,NJDEP,PADEP	04/02/2019 10:08	04/02/2019 11:36	LLJ
106-46-7	1,4-Dichlorobenzene	ND		ug/kg dry	2.8	5.6	1	EPA 8260C Certifications: CTDOH,NELAC-NY10854,NELAC-NY12058,NJDEP,PADEP	04/02/2019 10:08	04/02/2019 11:36	LLJ
123-91-1	1,4-Dioxane	ND		ug/kg dry	56	110	1	EPA 8260C Certifications: NELAC-NY10854,NELAC-NY12058,NJDEP,PADEP	04/02/2019 10:08	04/02/2019 11:36	LLJ
78-93-3	2-Butanone	ND		ug/kg dry	2.8	5.6	1	EPA 8260C Certifications: CTDOH,NELAC-NY10854,NELAC-NY12058,NJDEP,PADEP	04/02/2019 10:08	04/02/2019 11:36	LLJ
591-78-6	2-Hexanone	ND		ug/kg dry	2.8	5.6	1	EPA 8260C Certifications: CTDOH,NELAC-NY10854,NELAC-NY12058,NJDEP,PADEP	04/02/2019 10:08	04/02/2019 11:36	LLJ
108-10-1	4-Methyl-2-pentanone	ND		ug/kg dry	2.8	5.6	1	EPA 8260C Certifications: CTDOH,NELAC-NY10854,NELAC-NY12058,NJDEP,PADEP	04/02/2019 10:08	04/02/2019 11:36	LLJ
67-64-1	Acetone	ND		ug/kg dry	5.6	11	1	EPA 8260C Certifications: CTDOH,NELAC-NY10854,NELAC-NY12058,NJDEP,PADEP	04/02/2019 10:08	04/02/2019 11:36	LLJ
107-02-8	Acrolein	ND		ug/kg dry	5.6	11	1	EPA 8260C Certifications: CTDOH,NELAC-NY10854,NELAC-NY12058,NJDEP,PADEP	04/02/2019 10:08	04/02/2019 11:36	LLJ
107-13-1	Acrylonitrile	ND		ug/kg dry	2.8	5.6	1	EPA 8260C Certifications: CTDOH,NELAC-NY10854,NELAC-NY12058,NJDEP,PADEP	04/02/2019 10:08	04/02/2019 11:36	LLJ
71-43-2	Benzene	ND		ug/kg dry	2.8	5.6	1	EPA 8260C Certifications: CTDOH,NELAC-NY10854,NELAC-NY12058,NJDEP,PADEP	04/02/2019 10:08	04/02/2019 11:36	LLJ
74-97-5	Bromochloromethane	ND		ug/kg dry	2.8	5.6	1	EPA 8260C Certifications: NELAC-NY10854,NELAC-NY12058,NJDEP,PADEP	04/02/2019 10:08	04/02/2019 11:36	LLJ
75-27-4	Bromodichloromethane	ND		ug/kg dry	2.8	5.6	1	EPA 8260C Certifications: CTDOH,NELAC-NY10854,NELAC-NY12058,NJDEP,PADEP	04/02/2019 10:08	04/02/2019 11:36	LLJ
75-25-2	Bromoform	ND		ug/kg dry	2.8	5.6	1	EPA 8260C Certifications: CTDOH,NELAC-NY10854,NELAC-NY12058,NJDEP,PADEP	04/02/2019 10:08	04/02/2019 11:36	LLJ
74-83-9	Bromomethane	ND		ug/kg dry	2.8	5.6	1	EPA 8260C Certifications: CTDOH,NELAC-NY10854,NELAC-NY12058,NJDEP,PADEP	04/02/2019 10:08	04/02/2019 11:36	LLJ
75-15-0	Carbon disulfide	ND		ug/kg dry	2.8	5.6	1	EPA 8260C Certifications: CTDOH,NELAC-NY10854,NELAC-NY12058,NJDEP,PADEP	04/02/2019 10:08	04/02/2019 11:36	LLJ
56-23-5	Carbon tetrachloride	ND		ug/kg dry	2.8	5.6	1	EPA 8260C Certifications: CTDOH,NELAC-NY10854,NELAC-NY12058,NJDEP,PADEP	04/02/2019 10:08	04/02/2019 11:36	LLJ



### Sample Information

**Client Sample ID:** PD1-SB-106 (0-4') Grab

**York Sample ID:** 19C1272-02

York Project (SDG) No.

Client Project ID

Matrix

Collection Date/Time

Date Received

19C1272

1602600 Former Safety Kleen

Soil

March 28, 2019 10:20 am

03/29/2019

**Volatile Organics, 8260 - Comprehensive**

**Log-in Notes:**

**Sample Notes: VOA-WT**

Sample Prepared by Method: EPA 5035A

CAS No.	Parameter	Result	Flag	Units	Reported to LOD/MDL	LOQ	Dilution	Reference Method	Date/Time Prepared	Date/Time Analyzed	Analyst
108-90-7	Chlorobenzene	ND		ug/kg dry	2.8	5.6	1	EPA 8260C Certifications: CTDOH,NELAC-NY10854,NELAC-NY12058,NJDEP,PADEP	04/02/2019 10:08	04/02/2019 11:36	LLJ
75-00-3	Chloroethane	ND		ug/kg dry	2.8	5.6	1	EPA 8260C Certifications: CTDOH,NELAC-NY10854,NELAC-NY12058,NJDEP,PADEP	04/02/2019 10:08	04/02/2019 11:36	LLJ
67-66-3	Chloroform	ND		ug/kg dry	2.8	5.6	1	EPA 8260C Certifications: CTDOH,NELAC-NY10854,NELAC-NY12058,NJDEP,PADEP	04/02/2019 10:08	04/02/2019 11:36	LLJ
74-87-3	Chloromethane	ND		ug/kg dry	2.8	5.6	1	EPA 8260C Certifications: CTDOH,NELAC-NY10854,NELAC-NY12058,NJDEP,PADEP	04/02/2019 10:08	04/02/2019 11:36	LLJ
156-59-2	cis-1,2-Dichloroethylene	ND		ug/kg dry	2.8	5.6	1	EPA 8260C Certifications: CTDOH,NELAC-NY10854,NELAC-NY12058,NJDEP,PADEP	04/02/2019 10:08	04/02/2019 11:36	LLJ
10061-01-5	cis-1,3-Dichloropropylene	ND		ug/kg dry	2.8	5.6	1	EPA 8260C Certifications: CTDOH,NELAC-NY10854,NELAC-NY12058,NJDEP,PADEP	04/02/2019 10:08	04/02/2019 11:36	LLJ
110-82-7	Cyclohexane	ND		ug/kg dry	2.8	5.6	1	EPA 8260C Certifications: NELAC-NY10854,NELAC-NY12058,NJDEP,PADEP	04/02/2019 10:08	04/02/2019 11:36	LLJ
124-48-1	Dibromochloromethane	ND		ug/kg dry	2.8	5.6	1	EPA 8260C Certifications: NELAC-NY10854,NELAC-NY12058,NJDEP,PADEP	04/02/2019 10:08	04/02/2019 11:36	LLJ
74-95-3	Dibromomethane	ND		ug/kg dry	2.8	5.6	1	EPA 8260C Certifications: NELAC-NY10854,NELAC-NY12058,NJDEP,PADEP	04/02/2019 10:08	04/02/2019 11:36	LLJ
75-71-8	Dichlorodifluoromethane	ND		ug/kg dry	2.8	5.6	1	EPA 8260C Certifications: NELAC-NY10854,NELAC-NY12058,NJDEP,PADEP	04/02/2019 10:08	04/02/2019 11:36	LLJ
100-41-4	Ethyl Benzene	ND		ug/kg dry	2.8	5.6	1	EPA 8260C Certifications: CTDOH,NELAC-NY10854,NELAC-NY12058,NJDEP,PADEP	04/02/2019 10:08	04/02/2019 11:36	LLJ
87-68-3	Hexachlorobutadiene	ND		ug/kg dry	2.8	5.6	1	EPA 8260C Certifications: NELAC-NY10854,NELAC-NY12058,NJDEP,PADEP	04/02/2019 10:08	04/02/2019 11:36	LLJ
98-82-8	Isopropylbenzene	ND		ug/kg dry	2.8	5.6	1	EPA 8260C Certifications: CTDOH,NELAC-NY10854,NELAC-NY12058,NJDEP,PADEP	04/02/2019 10:08	04/02/2019 11:36	LLJ
79-20-9	Methyl acetate	ND		ug/kg dry	2.8	5.6	1	EPA 8260C Certifications: NELAC-NY10854,NELAC-NY12058,NJDEP,PADEP	04/02/2019 10:08	04/02/2019 11:36	LLJ
1634-04-4	Methyl tert-butyl ether (MTBE)	ND		ug/kg dry	2.8	5.6	1	EPA 8260C Certifications: CTDOH,NELAC-NY10854,NELAC-NY12058,NJDEP,PADEP	04/02/2019 10:08	04/02/2019 11:36	LLJ
108-87-2	Methylcyclohexane	ND		ug/kg dry	2.8	5.6	1	EPA 8260C Certifications: NELAC-NY10854,NELAC-NY12058,NJDEP,PADEP	04/02/2019 10:08	04/02/2019 11:36	LLJ
75-09-2	Methylene chloride	ND		ug/kg dry	5.6	11	1	EPA 8260C Certifications: CTDOH,NELAC-NY10854,NELAC-NY12058,NJDEP,PADEP	04/02/2019 10:08	04/02/2019 11:36	LLJ
104-51-8	n-Butylbenzene	ND		ug/kg dry	2.8	5.6	1	EPA 8260C Certifications: CTDOH,NELAC-NY10854,NELAC-NY12058,NJDEP,PADEP	04/02/2019 10:08	04/02/2019 11:36	LLJ
103-65-1	n-Propylbenzene	ND		ug/kg dry	2.8	5.6	1	EPA 8260C Certifications: CTDOH,NELAC-NY10854,NELAC-NY12058,NJDEP,PADEP	04/02/2019 10:08	04/02/2019 11:36	LLJ
95-47-6	o-Xylene	ND		ug/kg dry	2.8	5.6	1	EPA 8260C Certifications: CTDOH,NELAC-NY10854,NELAC-NY12058,NJDEP,PADEP	04/02/2019 10:08	04/02/2019 11:36	LLJ
179601-23-1	p- & m- Xylenes	ND		ug/kg dry	5.6	11	1	EPA 8260C Certifications: CTDOH,NELAC-NY10854,NELAC-NY12058,NJDEP,PADEP	04/02/2019 10:08	04/02/2019 11:36	LLJ
99-87-6	p-Isopropyltoluene	ND		ug/kg dry	2.8	5.6	1	EPA 8260C Certifications: CTDOH,NELAC-NY10854,NELAC-NY12058,NJDEP,PADEP	04/02/2019 10:08	04/02/2019 11:36	LLJ
135-98-8	sec-Butylbenzene	ND		ug/kg dry	2.8	5.6	1	EPA 8260C Certifications: CTDOH,NELAC-NY10854,NELAC-NY12058,NJDEP,PADEP	04/02/2019 10:08	04/02/2019 11:36	LLJ



### Sample Information

**Client Sample ID:** PD1-SB-106 (0-4') Grab

**York Sample ID:** 19C1272-02

York Project (SDG) No.

Client Project ID

Matrix

Collection Date/Time

Date Received

19C1272

1602600 Former Safety Kleen

Soil

March 28, 2019 10:20 am

03/29/2019

**Volatile Organics, 8260 - Comprehensive**

**Log-in Notes:**

**Sample Notes: VOA-WT**

Sample Prepared by Method: EPA 5035A

CAS No.	Parameter	Result	Flag	Units	Reported to LOD/MDL	LOQ	Dilution	Reference Method	Date/Time Prepared	Date/Time Analyzed	Analyst
100-42-5	Styrene	ND		ug/kg dry	2.8	5.6	1	EPA 8260C Certifications: CTDOH,NELAC-NY10854,NELAC-NY12058,NJDEP,PADEP	04/02/2019 10:08	04/02/2019 11:36	LLJ
75-65-0	tert-Butyl alcohol (TBA)	ND		ug/kg dry	2.8	5.6	1	EPA 8260C Certifications: NELAC-NY10854,NELAC-NY12058,NJDEP,PADEP	04/02/2019 10:08	04/02/2019 11:36	LLJ
98-06-6	tert-Butylbenzene	ND		ug/kg dry	2.8	5.6	1	EPA 8260C Certifications: CTDOH,NELAC-NY10854,NELAC-NY12058,NJDEP,PADEP	04/02/2019 10:08	04/02/2019 11:36	LLJ
127-18-4	<b>Tetrachloroethylene</b>	<b>3.6</b>	J	ug/kg dry	2.8	5.6	1	EPA 8260C Certifications: CTDOH,NELAC-NY10854,NELAC-NY12058,NJDEP,PADEP	04/02/2019 10:08	04/02/2019 11:36	LLJ
108-88-3	Toluene	ND		ug/kg dry	2.8	5.6	1	EPA 8260C Certifications: CTDOH,NELAC-NY10854,NELAC-NY12058,NJDEP,PADEP	04/02/2019 10:08	04/02/2019 11:36	LLJ
156-60-5	trans-1,2-Dichloroethylene	ND		ug/kg dry	2.8	5.6	1	EPA 8260C Certifications: CTDOH,NELAC-NY10854,NELAC-NY12058,NJDEP,PADEP	04/02/2019 10:08	04/02/2019 11:36	LLJ
10061-02-6	trans-1,3-Dichloropropylene	ND		ug/kg dry	2.8	5.6	1	EPA 8260C Certifications: CTDOH,NELAC-NY10854,NELAC-NY12058,NJDEP,PADEP	04/02/2019 10:08	04/02/2019 11:36	LLJ
110-57-6	* trans-1,4-dichloro-2-butene	ND		ug/kg dry	2.8	5.6	1	EPA 8260C Certifications: CTDOH	04/02/2019 10:08	04/02/2019 11:36	LLJ
79-01-6	Trichloroethylene	ND		ug/kg dry	2.8	5.6	1	EPA 8260C Certifications: CTDOH,NELAC-NY10854,NELAC-NY12058,NJDEP,PADEP	04/02/2019 10:08	04/02/2019 11:36	LLJ
75-69-4	Trichlorofluoromethane	ND		ug/kg dry	2.8	5.6	1	EPA 8260C Certifications: CTDOH,NELAC-NY10854,NELAC-NY12058,NJDEP,PADEP	04/02/2019 10:08	04/02/2019 11:36	LLJ
75-01-4	Vinyl Chloride	ND		ug/kg dry	2.8	5.6	1	EPA 8260C Certifications: CTDOH,NELAC-NY10854,NELAC-NY12058,NJDEP,PADEP	04/02/2019 10:08	04/02/2019 11:36	LLJ
1330-20-7	Xylenes, Total	ND		ug/kg dry	8.4	17	1	EPA 8260C Certifications: CTDOH,NELAC-NY10854,NELAC-NY12058,NJDEP	04/02/2019 10:08	04/02/2019 11:36	LLJ
<b>Surrogate Recoveries</b>		<b>Result</b>			<b>Acceptance Range</b>						
17060-07-0	Surrogate: SURR: 1,2-Dichloroethane-d4	112 %			77-125						
2037-26-5	Surrogate: SURR: Toluene-d8	98.6 %			85-120						
460-00-4	Surrogate: SURR: p-Bromofluorobenzene	108 %			76-130						

**Total Solids**

**Log-in Notes:**

**Sample Notes:**

Sample Prepared by Method: % Solids Prep

CAS No.	Parameter	Result	Flag	Units	Reported to LOQ	Dilution	Reference Method	Date/Time Prepared	Date/Time Analyzed	Analyst
solids	* % Solids	<b>89.4</b>		%	0.100	1	SM 2540G Certifications: CTDOH	04/04/2019 11:00	04/05/2019 12:58	AS

### Sample Information

**Client Sample ID:** PD1-SB-106 (4-7.5') Grab

**York Sample ID:** 19C1272-03

York Project (SDG) No.

Client Project ID

Matrix

Collection Date/Time

Date Received

19C1272

1602600 Former Safety Kleen

Soil

March 28, 2019 10:30 am

03/29/2019



### Sample Information

**Client Sample ID:** PD1-SB-106 (4-7.5') Grab

**York Sample ID:** 19C1272-03

York Project (SDG) No.

Client Project ID

Matrix

Collection Date/Time

Date Received

19C1272

1602600 Former Safety Kleen

Soil

March 28, 2019 10:30 am

03/29/2019

**Volatile Organics, 8260 - Comprehensive**

**Log-in Notes:**

**Sample Notes:**

Sample Prepared by Method: EPA 5035A

CAS No.	Parameter	Result	Flag	Units	Reported to LOD/MDL	LOQ	Dilution	Reference Method	Date/Time Prepared	Date/Time Analyzed	Analyst
630-20-6	1,1,1,2-Tetrachloroethane	ND		ug/kg dry	2.2	4.3	1	EPA 8260C Certifications: CTDOH,NELAC-NY10854,NELAC-NY12058,NJDEP,PADEP	04/02/2019 10:08	04/02/2019 12:03	LLJ
71-55-6	1,1,1-Trichloroethane	ND		ug/kg dry	2.2	4.3	1	EPA 8260C Certifications: CTDOH,NELAC-NY10854,NELAC-NY12058,NJDEP,PADEP	04/02/2019 10:08	04/02/2019 12:03	LLJ
79-34-5	1,1,2,2-Tetrachloroethane	ND		ug/kg dry	2.2	4.3	1	EPA 8260C Certifications: CTDOH,NELAC-NY10854,NELAC-NY12058,NJDEP,PADEP	04/02/2019 10:08	04/02/2019 12:03	LLJ
76-13-1	1,1,2-Trichloro-1,2,2-trifluoroethane (Freon 113)	ND		ug/kg dry	2.2	4.3	1	EPA 8260C Certifications: CTDOH,NELAC-NY10854,NELAC-NY12058,NJDEP	04/02/2019 10:08	04/02/2019 12:03	LLJ
79-00-5	1,1,2-Trichloroethane	ND		ug/kg dry	2.2	4.3	1	EPA 8260C Certifications: CTDOH,NELAC-NY10854,NELAC-NY12058,NJDEP,PADEP	04/02/2019 10:08	04/02/2019 12:03	LLJ
75-34-3	1,1-Dichloroethane	ND		ug/kg dry	2.2	4.3	1	EPA 8260C Certifications: CTDOH,NELAC-NY10854,NELAC-NY12058,NJDEP,PADEP	04/02/2019 10:08	04/02/2019 12:03	LLJ
75-35-4	1,1-Dichloroethylene	ND		ug/kg dry	2.2	4.3	1	EPA 8260C Certifications: CTDOH,NELAC-NY10854,NELAC-NY12058,NJDEP,PADEP	04/02/2019 10:08	04/02/2019 12:03	LLJ
87-61-6	1,2,3-Trichlorobenzene	ND		ug/kg dry	2.2	4.3	1	EPA 8260C Certifications: NELAC-NY10854,NELAC-NY12058,NJDEP,PADEP	04/02/2019 10:08	04/02/2019 12:03	LLJ
96-18-4	1,2,3-Trichloropropane	ND		ug/kg dry	2.2	4.3	1	EPA 8260C Certifications: NELAC-NY10854,NELAC-NY12058,NJDEP	04/02/2019 10:08	04/02/2019 12:03	LLJ
120-82-1	1,2,4-Trichlorobenzene	ND		ug/kg dry	2.2	4.3	1	EPA 8260C Certifications: NELAC-NY10854,NELAC-NY12058,NJDEP,PADEP	04/02/2019 10:08	04/02/2019 12:03	LLJ
95-63-6	1,2,4-Trimethylbenzene	ND		ug/kg dry	2.2	4.3	1	EPA 8260C Certifications: CTDOH,NELAC-NY10854,NELAC-NY12058,NJDEP,PADEP	04/02/2019 10:08	04/02/2019 12:03	LLJ
96-12-8	1,2-Dibromo-3-chloropropane	ND		ug/kg dry	2.2	4.3	1	EPA 8260C Certifications: CTDOH,NELAC-NY10854,NELAC-NY12058,NJDEP,PADEP	04/02/2019 10:08	04/02/2019 12:03	LLJ
106-93-4	1,2-Dibromoethane	ND		ug/kg dry	2.2	4.3	1	EPA 8260C Certifications: CTDOH,NELAC-NY10854,NELAC-NY12058,NJDEP,PADEP	04/02/2019 10:08	04/02/2019 12:03	LLJ
95-50-1	1,2-Dichlorobenzene	ND		ug/kg dry	2.2	4.3	1	EPA 8260C Certifications: CTDOH,NELAC-NY10854,NELAC-NY12058,NJDEP,PADEP	04/02/2019 10:08	04/02/2019 12:03	LLJ
107-06-2	1,2-Dichloroethane	ND		ug/kg dry	2.2	4.3	1	EPA 8260C Certifications: CTDOH,NELAC-NY10854,NELAC-NY12058,NJDEP,PADEP	04/02/2019 10:08	04/02/2019 12:03	LLJ
78-87-5	1,2-Dichloropropane	ND		ug/kg dry	2.2	4.3	1	EPA 8260C Certifications: CTDOH,NELAC-NY10854,NELAC-NY12058,NJDEP,PADEP	04/02/2019 10:08	04/02/2019 12:03	LLJ
108-67-8	1,3,5-Trimethylbenzene	ND		ug/kg dry	2.2	4.3	1	EPA 8260C Certifications: CTDOH,NELAC-NY10854,NELAC-NY12058,NJDEP,PADEP	04/02/2019 10:08	04/02/2019 12:03	LLJ
541-73-1	1,3-Dichlorobenzene	ND		ug/kg dry	2.2	4.3	1	EPA 8260C Certifications: CTDOH,NELAC-NY10854,NELAC-NY12058,NJDEP,PADEP	04/02/2019 10:08	04/02/2019 12:03	LLJ
106-46-7	1,4-Dichlorobenzene	ND		ug/kg dry	2.2	4.3	1	EPA 8260C Certifications: CTDOH,NELAC-NY10854,NELAC-NY12058,NJDEP,PADEP	04/02/2019 10:08	04/02/2019 12:03	LLJ
123-91-1	1,4-Dioxane	ND		ug/kg dry	43	86	1	EPA 8260C Certifications: NELAC-NY10854,NELAC-NY12058,NJDEP,PADEP	04/02/2019 10:08	04/02/2019 12:03	LLJ
78-93-3	2-Butanone	ND		ug/kg dry	2.2	4.3	1	EPA 8260C Certifications: CTDOH,NELAC-NY10854,NELAC-NY12058,NJDEP,PADEP	04/02/2019 10:08	04/02/2019 12:03	LLJ
591-78-6	2-Hexanone	ND		ug/kg dry	2.2	4.3	1	EPA 8260C Certifications: CTDOH,NELAC-NY10854,NELAC-NY12058,NJDEP,PADEP	04/02/2019 10:08	04/02/2019 12:03	LLJ
108-10-1	4-Methyl-2-pentanone	ND		ug/kg dry	2.2	4.3	1	EPA 8260C Certifications: CTDOH,NELAC-NY10854,NELAC-NY12058,NJDEP,PADEP	04/02/2019 10:08	04/02/2019 12:03	LLJ



### Sample Information

**Client Sample ID:** PD1-SB-106 (4-7.5') Grab

**York Sample ID:** 19C1272-03

York Project (SDG) No.

Client Project ID

Matrix

Collection Date/Time

Date Received

19C1272

1602600 Former Safety Kleen

Soil

March 28, 2019 10:30 am

03/29/2019

**Volatile Organics, 8260 - Comprehensive**

**Log-in Notes:**

**Sample Notes:**

Sample Prepared by Method: EPA 5035A

CAS No.	Parameter	Result	Flag	Units	Reported to LOD/MDL	LOQ	Dilution	Reference Method	Date/Time Prepared	Date/Time Analyzed	Analyst
67-64-1	Acetone	ND		ug/kg dry	4.3	8.6	1	EPA 8260C Certifications: CTDOH,NELAC-NY10854,NELAC-NY12058,NJDEP,PADEP	04/02/2019 10:08	04/02/2019 12:03	LLJ
107-02-8	Acrolein	ND		ug/kg dry	4.3	8.6	1	EPA 8260C Certifications: CTDOH,NELAC-NY10854,NELAC-NY12058,NJDEP,PADEP	04/02/2019 10:08	04/02/2019 12:03	LLJ
107-13-1	Acrylonitrile	ND		ug/kg dry	2.2	4.3	1	EPA 8260C Certifications: CTDOH,NELAC-NY10854,NELAC-NY12058,NJDEP,PADEP	04/02/2019 10:08	04/02/2019 12:03	LLJ
71-43-2	Benzene	ND		ug/kg dry	2.2	4.3	1	EPA 8260C Certifications: CTDOH,NELAC-NY10854,NELAC-NY12058,NJDEP,PADEP	04/02/2019 10:08	04/02/2019 12:03	LLJ
74-97-5	Bromochloromethane	ND		ug/kg dry	2.2	4.3	1	EPA 8260C Certifications: NELAC-NY10854,NELAC-NY12058,NJDEP,PADEP	04/02/2019 10:08	04/02/2019 12:03	LLJ
75-27-4	Bromodichloromethane	ND		ug/kg dry	2.2	4.3	1	EPA 8260C Certifications: CTDOH,NELAC-NY10854,NELAC-NY12058,NJDEP,PADEP	04/02/2019 10:08	04/02/2019 12:03	LLJ
75-25-2	Bromoform	ND		ug/kg dry	2.2	4.3	1	EPA 8260C Certifications: CTDOH,NELAC-NY10854,NELAC-NY12058,NJDEP,PADEP	04/02/2019 10:08	04/02/2019 12:03	LLJ
74-83-9	Bromomethane	ND		ug/kg dry	2.2	4.3	1	EPA 8260C Certifications: CTDOH,NELAC-NY10854,NELAC-NY12058,NJDEP,PADEP	04/02/2019 10:08	04/02/2019 12:03	LLJ
75-15-0	Carbon disulfide	ND		ug/kg dry	2.2	4.3	1	EPA 8260C Certifications: CTDOH,NELAC-NY10854,NELAC-NY12058,NJDEP,PADEP	04/02/2019 10:08	04/02/2019 12:03	LLJ
56-23-5	Carbon tetrachloride	ND		ug/kg dry	2.2	4.3	1	EPA 8260C Certifications: CTDOH,NELAC-NY10854,NELAC-NY12058,NJDEP,PADEP	04/02/2019 10:08	04/02/2019 12:03	LLJ
108-90-7	Chlorobenzene	ND		ug/kg dry	2.2	4.3	1	EPA 8260C Certifications: CTDOH,NELAC-NY10854,NELAC-NY12058,NJDEP,PADEP	04/02/2019 10:08	04/02/2019 12:03	LLJ
75-00-3	Chloroethane	ND		ug/kg dry	2.2	4.3	1	EPA 8260C Certifications: CTDOH,NELAC-NY10854,NELAC-NY12058,NJDEP,PADEP	04/02/2019 10:08	04/02/2019 12:03	LLJ
67-66-3	Chloroform	ND		ug/kg dry	2.2	4.3	1	EPA 8260C Certifications: CTDOH,NELAC-NY10854,NELAC-NY12058,NJDEP,PADEP	04/02/2019 10:08	04/02/2019 12:03	LLJ
74-87-3	Chloromethane	ND		ug/kg dry	2.2	4.3	1	EPA 8260C Certifications: CTDOH,NELAC-NY10854,NELAC-NY12058,NJDEP,PADEP	04/02/2019 10:08	04/02/2019 12:03	LLJ
156-59-2	cis-1,2-Dichloroethylene	ND		ug/kg dry	2.2	4.3	1	EPA 8260C Certifications: CTDOH,NELAC-NY10854,NELAC-NY12058,NJDEP,PADEP	04/02/2019 10:08	04/02/2019 12:03	LLJ
10061-01-5	cis-1,3-Dichloropropylene	ND		ug/kg dry	2.2	4.3	1	EPA 8260C Certifications: CTDOH,NELAC-NY10854,NELAC-NY12058,NJDEP,PADEP	04/02/2019 10:08	04/02/2019 12:03	LLJ
110-82-7	Cyclohexane	ND		ug/kg dry	2.2	4.3	1	EPA 8260C Certifications: NELAC-NY10854,NELAC-NY12058,NJDEP,PADEP	04/02/2019 10:08	04/02/2019 12:03	LLJ
124-48-1	Dibromochloromethane	ND		ug/kg dry	2.2	4.3	1	EPA 8260C Certifications: NELAC-NY10854,NELAC-NY12058,NJDEP,PADEP	04/02/2019 10:08	04/02/2019 12:03	LLJ
74-95-3	Dibromomethane	ND		ug/kg dry	2.2	4.3	1	EPA 8260C Certifications: NELAC-NY10854,NELAC-NY12058,NJDEP,PADEP	04/02/2019 10:08	04/02/2019 12:03	LLJ
75-71-8	Dichlorodifluoromethane	ND		ug/kg dry	2.2	4.3	1	EPA 8260C Certifications: NELAC-NY10854,NELAC-NY12058,NJDEP,PADEP	04/02/2019 10:08	04/02/2019 12:03	LLJ
100-41-4	<b>Ethyl Benzene</b>	<b>4.8</b>		ug/kg dry	2.2	4.3	1	EPA 8260C Certifications: CTDOH,NELAC-NY10854,NELAC-NY12058,NJDEP,PADEP	04/02/2019 10:08	04/02/2019 12:03	LLJ
87-68-3	Hexachlorobutadiene	ND		ug/kg dry	2.2	4.3	1	EPA 8260C Certifications: NELAC-NY10854,NELAC-NY12058,NJDEP,PADEP	04/02/2019 10:08	04/02/2019 12:03	LLJ
98-82-8	Isopropylbenzene	ND		ug/kg dry	2.2	4.3	1	EPA 8260C Certifications: CTDOH,NELAC-NY10854,NELAC-NY12058,NJDEP,PADEP	04/02/2019 10:08	04/02/2019 12:03	LLJ





### Sample Information

**Client Sample ID:** PD1-SB-106 (4-7.5') Grab

**York Sample ID:** 19C1272-03

York Project (SDG) No.

Client Project ID

Matrix

Collection Date/Time

Date Received

19C1272

1602600 Former Safety Kleen

Soil

March 28, 2019 10:30 am

03/29/2019

**Volatile Organics, 8260 - Comprehensive**

**Log-in Notes:**

**Sample Notes:**

Sample Prepared by Method: EPA 5035A

CAS No.	Parameter	Result	Flag	Units	Reported to LOD/MDL	LOQ	Dilution	Reference Method	Date/Time Prepared	Date/Time Analyzed	Analyst
79-20-9	Methyl acetate	ND		ug/kg dry	2.2	4.3	1	EPA 8260C Certifications: NELAC-NY10854,NELAC-NY12058,NJDEP,PADEP	04/02/2019 10:08	04/02/2019 12:03	LLJ
1634-04-4	Methyl tert-butyl ether (MTBE)	ND		ug/kg dry	2.2	4.3	1	EPA 8260C Certifications: CTDOH,NELAC-NY10854,NELAC-NY12058,NJDEP,PADEP	04/02/2019 10:08	04/02/2019 12:03	LLJ
108-87-2	Methylcyclohexane	ND		ug/kg dry	2.2	4.3	1	EPA 8260C Certifications: NELAC-NY10854,NELAC-NY12058,NJDEP,PADEP	04/02/2019 10:08	04/02/2019 12:03	LLJ
75-09-2	Methylene chloride	ND		ug/kg dry	4.3	8.6	1	EPA 8260C Certifications: CTDOH,NELAC-NY10854,NELAC-NY12058,NJDEP,PADEP	04/02/2019 10:08	04/02/2019 12:03	LLJ
104-51-8	n-Butylbenzene	ND		ug/kg dry	2.2	4.3	1	EPA 8260C Certifications: CTDOH,NELAC-NY10854,NELAC-NY12058,NJDEP,PADEP	04/02/2019 10:08	04/02/2019 12:03	LLJ
103-65-1	n-Propylbenzene	ND		ug/kg dry	2.2	4.3	1	EPA 8260C Certifications: CTDOH,NELAC-NY10854,NELAC-NY12058,NJDEP,PADEP	04/02/2019 10:08	04/02/2019 12:03	LLJ
95-47-6	<b>o-Xylene</b>	<b>8.3</b>		ug/kg dry	2.2	4.3	1	EPA 8260C Certifications: CTDOH,NELAC-NY10854,NELAC-NY12058,PADEP	04/02/2019 10:08	04/02/2019 12:03	LLJ
179601-23-1	<b>p- &amp; m- Xylenes</b>	<b>20</b>		ug/kg dry	4.3	8.6	1	EPA 8260C Certifications: CTDOH,NELAC-NY10854,NELAC-NY12058,PADEP	04/02/2019 10:08	04/02/2019 12:03	LLJ
99-87-6	p-Isopropyltoluene	ND		ug/kg dry	2.2	4.3	1	EPA 8260C Certifications: CTDOH,NELAC-NY10854,NELAC-NY12058,NJDEP,PADEP	04/02/2019 10:08	04/02/2019 12:03	LLJ
135-98-8	sec-Butylbenzene	ND		ug/kg dry	2.2	4.3	1	EPA 8260C Certifications: CTDOH,NELAC-NY10854,NELAC-NY12058,NJDEP,PADEP	04/02/2019 10:08	04/02/2019 12:03	LLJ
100-42-5	Styrene	ND		ug/kg dry	2.2	4.3	1	EPA 8260C Certifications: CTDOH,NELAC-NY10854,NELAC-NY12058,NJDEP,PADEP	04/02/2019 10:08	04/02/2019 12:03	LLJ
75-65-0	tert-Butyl alcohol (TBA)	ND		ug/kg dry	2.2	4.3	1	EPA 8260C Certifications: NELAC-NY10854,NELAC-NY12058,NJDEP,PADEP	04/02/2019 10:08	04/02/2019 12:03	LLJ
98-06-6	tert-Butylbenzene	ND		ug/kg dry	2.2	4.3	1	EPA 8260C Certifications: CTDOH,NELAC-NY10854,NELAC-NY12058,NJDEP,PADEP	04/02/2019 10:08	04/02/2019 12:03	LLJ
127-18-4	<b>Tetrachloroethylene</b>	<b>7.2</b>		ug/kg dry	2.2	4.3	1	EPA 8260C Certifications: CTDOH,NELAC-NY10854,NELAC-NY12058,NJDEP,PADEP	04/02/2019 10:08	04/02/2019 12:03	LLJ
108-88-3	Toluene	ND		ug/kg dry	2.2	4.3	1	EPA 8260C Certifications: CTDOH,NELAC-NY10854,NELAC-NY12058,NJDEP,PADEP	04/02/2019 10:08	04/02/2019 12:03	LLJ
156-60-5	trans-1,2-Dichloroethylene	ND		ug/kg dry	2.2	4.3	1	EPA 8260C Certifications: CTDOH,NELAC-NY10854,NELAC-NY12058,NJDEP,PADEP	04/02/2019 10:08	04/02/2019 12:03	LLJ
10061-02-6	trans-1,3-Dichloropropylene	ND		ug/kg dry	2.2	4.3	1	EPA 8260C Certifications: CTDOH,NELAC-NY10854,NELAC-NY12058,NJDEP,PADEP	04/02/2019 10:08	04/02/2019 12:03	LLJ
110-57-6	* trans-1,4-dichloro-2-butene	ND		ug/kg dry	2.2	4.3	1	EPA 8260C Certifications: CTDOH	04/02/2019 10:08	04/02/2019 12:03	LLJ
79-01-6	Trichloroethylene	ND		ug/kg dry	2.2	4.3	1	EPA 8260C Certifications: CTDOH,NELAC-NY10854,NELAC-NY12058,NJDEP,PADEP	04/02/2019 10:08	04/02/2019 12:03	LLJ
75-69-4	Trichlorofluoromethane	ND		ug/kg dry	2.2	4.3	1	EPA 8260C Certifications: CTDOH,NELAC-NY10854,NELAC-NY12058,NJDEP,PADEP	04/02/2019 10:08	04/02/2019 12:03	LLJ
75-01-4	Vinyl Chloride	ND		ug/kg dry	2.2	4.3	1	EPA 8260C Certifications: CTDOH,NELAC-NY10854,NELAC-NY12058,NJDEP,PADEP	04/02/2019 10:08	04/02/2019 12:03	LLJ
1330-20-7	<b>Xylenes, Total</b>	<b>28</b>		ug/kg dry	6.5	13	1	EPA 8260C Certifications: CTDOH,NELAC-NY10854,NELAC-NY12058,NJDEP	04/02/2019 10:08	04/02/2019 12:03	LLJ
	<b>Surrogate Recoveries</b>	<b>Result</b>			<b>Acceptance Range</b>						
17060-07-0	Surrogate: SURR: 1,2-Dichloroethane-d4	113 %			77-125						



### Sample Information

**Client Sample ID:** PD1-SB-106 (4-7.5') Grab

**York Sample ID:** 19C1272-03

<u>York Project (SDG) No.</u> 19C1272	<u>Client Project ID</u> 1602600 Former Safety Kleen	<u>Matrix</u> Soil	<u>Collection Date/Time</u> March 28, 2019 10:30 am	<u>Date Received</u> 03/29/2019
--	---	-----------------------	--	------------------------------------

**Volatile Organics, 8260 - Comprehensive**

**Log-in Notes:**

**Sample Notes:**

Sample Prepared by Method: EPA 5035A

CAS No.	Parameter	Result	Flag	Units	Reported to LOD/MDL	LOQ	Dilution	Reference Method	Date/Time Prepared	Date/Time Analyzed	Analyst
2037-26-5	Surrogate: SURR: Toluene-d8	97.7 %			85-120						
460-00-4	Surrogate: SURR: p-Bromofluorobenzene	110 %			76-130						

**Total Solids**

**Log-in Notes:**

**Sample Notes:**

Sample Prepared by Method: % Solids Prep

CAS No.	Parameter	Result	Flag	Units	Reported to LOQ	Dilution	Reference Method	Date/Time Prepared	Date/Time Analyzed	Analyst
solids	* % Solids	87.5		%	0.100	1	SM 2540G Certifications: CTDOH	04/04/2019 11:00	04/05/2019 12:58	AS

### Sample Information

**Client Sample ID:** PD1-SB-106 (9.5-12') Grab

**York Sample ID:** 19C1272-04

<u>York Project (SDG) No.</u> 19C1272	<u>Client Project ID</u> 1602600 Former Safety Kleen	<u>Matrix</u> Soil	<u>Collection Date/Time</u> March 28, 2019 10:40 am	<u>Date Received</u> 03/29/2019
--	---	-----------------------	--	------------------------------------

**Volatile Organics, 8260 - Comprehensive**

**Log-in Notes:**

**Sample Notes:**

Sample Prepared by Method: EPA 5035A

CAS No.	Parameter	Result	Flag	Units	Reported to LOD/MDL	LOQ	Dilution	Reference Method	Date/Time Prepared	Date/Time Analyzed	Analyst
630-20-6	1,1,1,2-Tetrachloroethane	ND		ug/kg dry	370	740	200	EPA 8260C Certifications: CTDOH,NELAC-NY10854,NELAC-NY12058,NJDEP,PADEP	04/02/2019 10:08	04/04/2019 09:20	LLJ
71-55-6	1,1,1-Trichloroethane	ND		ug/kg dry	370	740	200	EPA 8260C Certifications: CTDOH,NELAC-NY10854,NELAC-NY12058,NJDEP,PADEP	04/02/2019 10:08	04/04/2019 09:20	LLJ
79-34-5	1,1,2,2-Tetrachloroethane	ND		ug/kg dry	370	740	200	EPA 8260C Certifications: CTDOH,NELAC-NY10854,NELAC-NY12058,NJDEP,PADEP	04/02/2019 10:08	04/04/2019 09:20	LLJ
76-13-1	1,1,2-Trichloro-1,2,2-trifluoroethane (Freon 113)	ND		ug/kg dry	370	740	200	EPA 8260C Certifications: CTDOH,NELAC-NY10854,NELAC-NY12058,NJDEP	04/02/2019 10:08	04/04/2019 09:20	LLJ
79-00-5	1,1,2-Trichloroethane	ND		ug/kg dry	370	740	200	EPA 8260C Certifications: CTDOH,NELAC-NY10854,NELAC-NY12058,NJDEP,PADEP	04/02/2019 10:08	04/04/2019 09:20	LLJ
75-34-3	1,1-Dichloroethane	ND		ug/kg dry	370	740	200	EPA 8260C Certifications: CTDOH,NELAC-NY10854,NELAC-NY12058,NJDEP,PADEP	04/02/2019 10:08	04/04/2019 09:20	LLJ
75-35-4	1,1-Dichloroethylene	ND		ug/kg dry	370	740	200	EPA 8260C Certifications: CTDOH,NELAC-NY10854,NELAC-NY12058,NJDEP,PADEP	04/02/2019 10:08	04/04/2019 09:20	LLJ
87-61-6	1,2,3-Trichlorobenzene	ND		ug/kg dry	370	740	200	EPA 8260C Certifications: NELAC-NY10854,NELAC-NY12058,NJDEP,PADEP	04/02/2019 10:08	04/04/2019 09:20	LLJ
96-18-4	1,2,3-Trichloropropane	ND		ug/kg dry	370	740	200	EPA 8260C Certifications: NELAC-NY10854,NELAC-NY12058,NJDEP	04/02/2019 10:08	04/04/2019 09:20	LLJ
120-82-1	1,2,4-Trichlorobenzene	ND		ug/kg dry	370	740	200	EPA 8260C Certifications: NELAC-NY10854,NELAC-NY12058,NJDEP,PADEP	04/02/2019 10:08	04/04/2019 09:20	LLJ



### Sample Information

**Client Sample ID:** PD1-SB-106 (9.5-12') Grab

**York Sample ID:** 19C1272-04

York Project (SDG) No.

Client Project ID

Matrix

Collection Date/Time

Date Received

19C1272

1602600 Former Safety Kleen

Soil

March 28, 2019 10:40 am

03/29/2019

**Volatile Organics, 8260 - Comprehensive**

**Log-in Notes:**

**Sample Notes:**

Sample Prepared by Method: EPA 5035A

CAS No.	Parameter	Result	Flag	Units	Reported to LOD/MDL	LOQ	Dilution	Reference Method	Date/Time Prepared	Date/Time Analyzed	Analyst
95-63-6	1,2,4-Trimethylbenzene	ND		ug/kg dry	370	740	200	EPA 8260C Certifications: CTDOH,NELAC-NY10854,NELAC-NY12058,NJDEP,PADEP	04/02/2019 10:08	04/04/2019 09:20	LLJ
96-12-8	1,2-Dibromo-3-chloropropane	ND		ug/kg dry	370	740	200	EPA 8260C Certifications: CTDOH,NELAC-NY10854,NELAC-NY12058,NJDEP,PADEP	04/02/2019 10:08	04/04/2019 09:20	LLJ
106-93-4	1,2-Dibromoethane	ND		ug/kg dry	370	740	200	EPA 8260C Certifications: CTDOH,NELAC-NY10854,NELAC-NY12058,NJDEP,PADEP	04/02/2019 10:08	04/04/2019 09:20	LLJ
95-50-1	1,2-Dichlorobenzene	ND		ug/kg dry	370	740	200	EPA 8260C Certifications: CTDOH,NELAC-NY10854,NELAC-NY12058,NJDEP,PADEP	04/02/2019 10:08	04/04/2019 09:20	LLJ
107-06-2	1,2-Dichloroethane	ND		ug/kg dry	370	740	200	EPA 8260C Certifications: CTDOH,NELAC-NY10854,NELAC-NY12058,NJDEP,PADEP	04/02/2019 10:08	04/04/2019 09:20	LLJ
78-87-5	1,2-Dichloropropane	ND		ug/kg dry	370	740	200	EPA 8260C Certifications: CTDOH,NELAC-NY10854,NELAC-NY12058,NJDEP,PADEP	04/02/2019 10:08	04/04/2019 09:20	LLJ
108-67-8	1,3,5-Trimethylbenzene	ND		ug/kg dry	370	740	200	EPA 8260C Certifications: CTDOH,NELAC-NY10854,NELAC-NY12058,NJDEP,PADEP	04/02/2019 10:08	04/04/2019 09:20	LLJ
541-73-1	1,3-Dichlorobenzene	ND		ug/kg dry	370	740	200	EPA 8260C Certifications: CTDOH,NELAC-NY10854,NELAC-NY12058,NJDEP,PADEP	04/02/2019 10:08	04/04/2019 09:20	LLJ
106-46-7	1,4-Dichlorobenzene	ND		ug/kg dry	370	740	200	EPA 8260C Certifications: CTDOH,NELAC-NY10854,NELAC-NY12058,NJDEP,PADEP	04/02/2019 10:08	04/04/2019 09:20	LLJ
123-91-1	1,4-Dioxane	ND		ug/kg dry	7400	15000	200	EPA 8260C Certifications: NELAC-NY10854,NELAC-NY12058,NJDEP,PADEP	04/02/2019 10:08	04/04/2019 09:20	LLJ
78-93-3	2-Butanone	ND		ug/kg dry	370	740	200	EPA 8260C Certifications: CTDOH,NELAC-NY10854,NELAC-NY12058,NJDEP,PADEP	04/02/2019 10:08	04/04/2019 09:20	LLJ
591-78-6	2-Hexanone	ND		ug/kg dry	370	740	200	EPA 8260C Certifications: CTDOH,NELAC-NY10854,NELAC-NY12058,NJDEP,PADEP	04/02/2019 10:08	04/04/2019 09:20	LLJ
108-10-1	4-Methyl-2-pentanone	ND		ug/kg dry	370	740	200	EPA 8260C Certifications: CTDOH,NELAC-NY10854,NELAC-NY12058,NJDEP,PADEP	04/02/2019 10:08	04/04/2019 09:20	LLJ
67-64-1	Acetone	ND		ug/kg dry	740	1500	200	EPA 8260C Certifications: CTDOH,NELAC-NY10854,NELAC-NY12058,NJDEP,PADEP	04/02/2019 10:08	04/04/2019 09:20	LLJ
107-02-8	Acrolein	ND		ug/kg dry	740	1500	200	EPA 8260C Certifications: CTDOH,NELAC-NY10854,NELAC-NY12058,NJDEP,PADEP	04/02/2019 10:08	04/04/2019 09:20	LLJ
107-13-1	Acrylonitrile	ND		ug/kg dry	370	740	200	EPA 8260C Certifications: CTDOH,NELAC-NY10854,NELAC-NY12058,NJDEP,PADEP	04/02/2019 10:08	04/04/2019 09:20	LLJ
71-43-2	Benzene	ND		ug/kg dry	370	740	200	EPA 8260C Certifications: CTDOH,NELAC-NY10854,NELAC-NY12058,NJDEP,PADEP	04/02/2019 10:08	04/04/2019 09:20	LLJ
74-97-5	Bromochloromethane	ND		ug/kg dry	370	740	200	EPA 8260C Certifications: NELAC-NY10854,NELAC-NY12058,NJDEP,PADEP	04/02/2019 10:08	04/04/2019 09:20	LLJ
75-27-4	Bromodichloromethane	ND		ug/kg dry	370	740	200	EPA 8260C Certifications: CTDOH,NELAC-NY10854,NELAC-NY12058,NJDEP,PADEP	04/02/2019 10:08	04/04/2019 09:20	LLJ
75-25-2	Bromoform	ND		ug/kg dry	370	740	200	EPA 8260C Certifications: CTDOH,NELAC-NY10854,NELAC-NY12058,NJDEP,PADEP	04/02/2019 10:08	04/04/2019 09:20	LLJ
74-83-9	Bromomethane	ND		ug/kg dry	370	740	200	EPA 8260C Certifications: CTDOH,NELAC-NY10854,NELAC-NY12058,NJDEP,PADEP	04/02/2019 10:08	04/04/2019 09:20	LLJ
75-15-0	Carbon disulfide	ND		ug/kg dry	370	740	200	EPA 8260C Certifications: CTDOH,NELAC-NY10854,NELAC-NY12058,NJDEP,PADEP	04/02/2019 10:08	04/04/2019 09:20	LLJ
56-23-5	Carbon tetrachloride	ND		ug/kg dry	370	740	200	EPA 8260C Certifications: CTDOH,NELAC-NY10854,NELAC-NY12058,NJDEP,PADEP	04/02/2019 10:08	04/04/2019 09:20	LLJ



### Sample Information

**Client Sample ID:** PD1-SB-106 (9.5-12') Grab

**York Sample ID:** 19C1272-04

York Project (SDG) No.

Client Project ID

Matrix

Collection Date/Time

Date Received

19C1272

1602600 Former Safety Kleen

Soil

March 28, 2019 10:40 am

03/29/2019

**Volatile Organics, 8260 - Comprehensive**

**Log-in Notes:**

**Sample Notes:**

Sample Prepared by Method: EPA 5035A

CAS No.	Parameter	Result	Flag	Units	Reported to LOD/MDL	LOQ	Dilution	Reference Method	Date/Time Prepared	Date/Time Analyzed	Analyst
108-90-7	Chlorobenzene	ND		ug/kg dry	370	740	200	EPA 8260C Certifications: CTDOH,NELAC-NY10854,NELAC-NY12058,NJDEP,PADEP	04/02/2019 10:08	04/04/2019 09:20	LLJ
75-00-3	Chloroethane	ND		ug/kg dry	370	740	200	EPA 8260C Certifications: CTDOH,NELAC-NY10854,NELAC-NY12058,NJDEP,PADEP	04/02/2019 10:08	04/04/2019 09:20	LLJ
67-66-3	Chloroform	ND		ug/kg dry	370	740	200	EPA 8260C Certifications: CTDOH,NELAC-NY10854,NELAC-NY12058,NJDEP,PADEP	04/02/2019 10:08	04/04/2019 09:20	LLJ
74-87-3	Chloromethane	ND		ug/kg dry	370	740	200	EPA 8260C Certifications: CTDOH,NELAC-NY10854,NELAC-NY12058,NJDEP,PADEP	04/02/2019 10:08	04/04/2019 09:20	LLJ
156-59-2	cis-1,2-Dichloroethylene	ND		ug/kg dry	370	740	200	EPA 8260C Certifications: CTDOH,NELAC-NY10854,NELAC-NY12058,NJDEP,PADEP	04/02/2019 10:08	04/04/2019 09:20	LLJ
10061-01-5	cis-1,3-Dichloropropylene	ND		ug/kg dry	370	740	200	EPA 8260C Certifications: CTDOH,NELAC-NY10854,NELAC-NY12058,NJDEP,PADEP	04/02/2019 10:08	04/04/2019 09:20	LLJ
110-82-7	Cyclohexane	ND		ug/kg dry	370	740	200	EPA 8260C Certifications: NELAC-NY10854,NELAC-NY12058,NJDEP,PADEP	04/02/2019 10:08	04/04/2019 09:20	LLJ
124-48-1	Dibromochloromethane	ND		ug/kg dry	370	740	200	EPA 8260C Certifications: NELAC-NY10854,NELAC-NY12058,NJDEP,PADEP	04/02/2019 10:08	04/04/2019 09:20	LLJ
74-95-3	Dibromomethane	ND		ug/kg dry	370	740	200	EPA 8260C Certifications: NELAC-NY10854,NELAC-NY12058,NJDEP,PADEP	04/02/2019 10:08	04/04/2019 09:20	LLJ
75-71-8	Dichlorodifluoromethane	ND		ug/kg dry	370	740	200	EPA 8260C Certifications: NELAC-NY10854,NELAC-NY12058,NJDEP,PADEP	04/02/2019 10:08	04/04/2019 09:20	LLJ
100-41-4	Ethyl Benzene	ND		ug/kg dry	370	740	200	EPA 8260C Certifications: CTDOH,NELAC-NY10854,NELAC-NY12058,NJDEP,PADEP	04/02/2019 10:08	04/04/2019 09:20	LLJ
87-68-3	Hexachlorobutadiene	ND		ug/kg dry	370	740	200	EPA 8260C Certifications: NELAC-NY10854,NELAC-NY12058,NJDEP,PADEP	04/02/2019 10:08	04/04/2019 09:20	LLJ
98-82-8	Isopropylbenzene	ND		ug/kg dry	370	740	200	EPA 8260C Certifications: CTDOH,NELAC-NY10854,NELAC-NY12058,NJDEP,PADEP	04/02/2019 10:08	04/04/2019 09:20	LLJ
79-20-9	Methyl acetate	ND		ug/kg dry	370	740	200	EPA 8260C Certifications: NELAC-NY10854,NELAC-NY12058,NJDEP,PADEP	04/02/2019 10:08	04/04/2019 09:20	LLJ
1634-04-4	Methyl tert-butyl ether (MTBE)	ND		ug/kg dry	370	740	200	EPA 8260C Certifications: CTDOH,NELAC-NY10854,NELAC-NY12058,NJDEP,PADEP	04/02/2019 10:08	04/04/2019 09:20	LLJ
108-87-2	Methylcyclohexane	ND		ug/kg dry	370	740	200	EPA 8260C Certifications: NELAC-NY10854,NELAC-NY12058,NJDEP,PADEP	04/02/2019 10:08	04/04/2019 09:20	LLJ
75-09-2	Methylene chloride	ND		ug/kg dry	740	1500	200	EPA 8260C Certifications: CTDOH,NELAC-NY10854,NELAC-NY12058,NJDEP,PADEP	04/02/2019 10:08	04/04/2019 09:20	LLJ
104-51-8	n-Butylbenzene	ND		ug/kg dry	370	740	200	EPA 8260C Certifications: CTDOH,NELAC-NY10854,NELAC-NY12058,NJDEP,PADEP	04/02/2019 10:08	04/04/2019 09:20	LLJ
103-65-1	n-Propylbenzene	ND		ug/kg dry	370	740	200	EPA 8260C Certifications: CTDOH,NELAC-NY10854,NELAC-NY12058,NJDEP,PADEP	04/02/2019 10:08	04/04/2019 09:20	LLJ
95-47-6	o-Xylene	ND		ug/kg dry	370	740	200	EPA 8260C Certifications: CTDOH,NELAC-NY10854,NELAC-NY12058,NJDEP,PADEP	04/02/2019 10:08	04/04/2019 09:20	LLJ
179601-23-1	p- & m- Xylenes	ND		ug/kg dry	740	1500	200	EPA 8260C Certifications: CTDOH,NELAC-NY10854,NELAC-NY12058,NJDEP,PADEP	04/02/2019 10:08	04/04/2019 09:20	LLJ
99-87-6	p-Isopropyltoluene	ND		ug/kg dry	370	740	200	EPA 8260C Certifications: CTDOH,NELAC-NY10854,NELAC-NY12058,NJDEP,PADEP	04/02/2019 10:08	04/04/2019 09:20	LLJ
135-98-8	sec-Butylbenzene	ND		ug/kg dry	370	740	200	EPA 8260C Certifications: CTDOH,NELAC-NY10854,NELAC-NY12058,NJDEP,PADEP	04/02/2019 10:08	04/04/2019 09:20	LLJ



### Sample Information

**Client Sample ID:** PD1-SB-106 (9.5-12') Grab

**York Sample ID:** 19C1272-04

York Project (SDG) No.

Client Project ID

Matrix

Collection Date/Time

Date Received

19C1272

1602600 Former Safety Kleen

Soil

March 28, 2019 10:40 am

03/29/2019

**Volatile Organics, 8260 - Comprehensive**

**Log-in Notes:**

**Sample Notes:**

Sample Prepared by Method: EPA 5035A

CAS No.	Parameter	Result	Flag	Units	Reported to LOD/MDL	LOQ	Dilution	Reference Method	Date/Time Prepared	Date/Time Analyzed	Analyst
100-42-5	Styrene	ND		ug/kg dry	370	740	200	EPA 8260C Certifications: CTDOH,NELAC-NY10854,NELAC-NY12058,NJDEP,PADEP	04/02/2019 10:08	04/04/2019 09:20	LLJ
75-65-0	tert-Butyl alcohol (TBA)	ND		ug/kg dry	370	740	200	EPA 8260C Certifications: NELAC-NY10854,NELAC-NY12058,NJDEP,PADEP	04/02/2019 10:08	04/04/2019 09:20	LLJ
98-06-6	tert-Butylbenzene	ND		ug/kg dry	370	740	200	EPA 8260C Certifications: CTDOH,NELAC-NY10854,NELAC-NY12058,NJDEP,PADEP	04/02/2019 10:08	04/04/2019 09:20	LLJ
127-18-4	<b>Tetrachloroethylene</b>	<b>2500</b>	CCV-E, QL-02	ug/kg dry	370	740	200	EPA 8260C Certifications: CTDOH,NELAC-NY10854,NELAC-NY12058,NJDEP,PADEP	04/02/2019 10:08	04/04/2019 09:20	LLJ
108-88-3	Toluene	ND		ug/kg dry	370	740	200	EPA 8260C Certifications: CTDOH,NELAC-NY10854,NELAC-NY12058,NJDEP,PADEP	04/02/2019 10:08	04/04/2019 09:20	LLJ
156-60-5	trans-1,2-Dichloroethylene	ND		ug/kg dry	370	740	200	EPA 8260C Certifications: CTDOH,NELAC-NY10854,NELAC-NY12058,NJDEP,PADEP	04/02/2019 10:08	04/04/2019 09:20	LLJ
10061-02-6	trans-1,3-Dichloropropylene	ND		ug/kg dry	370	740	200	EPA 8260C Certifications: CTDOH,NELAC-NY10854,NELAC-NY12058,NJDEP,PADEP	04/02/2019 10:08	04/04/2019 09:20	LLJ
110-57-6	* trans-1,4-dichloro-2-butene	ND		ug/kg dry	370	740	200	EPA 8260C Certifications: CTDOH	04/02/2019 10:08	04/04/2019 09:20	LLJ
79-01-6	Trichloroethylene	ND		ug/kg dry	370	740	200	EPA 8260C Certifications: CTDOH,NELAC-NY10854,NELAC-NY12058,NJDEP,PADEP	04/02/2019 10:08	04/04/2019 09:20	LLJ
75-69-4	Trichlorofluoromethane	ND		ug/kg dry	370	740	200	EPA 8260C Certifications: CTDOH,NELAC-NY10854,NELAC-NY12058,NJDEP,PADEP	04/02/2019 10:08	04/04/2019 09:20	LLJ
75-01-4	Vinyl Chloride	ND		ug/kg dry	370	740	200	EPA 8260C Certifications: CTDOH,NELAC-NY10854,NELAC-NY12058,NJDEP,PADEP	04/02/2019 10:08	04/04/2019 09:20	LLJ
1330-20-7	Xylenes, Total	ND		ug/kg dry	1100	2200	200	EPA 8260C Certifications: CTDOH,NELAC-NY10854,NELAC-NY12058,NJDEP	04/02/2019 10:08	04/04/2019 09:20	LLJ
<b>Surrogate Recoveries</b>		<b>Result</b>	<b>Acceptance Range</b>								
17060-07-0	Surrogate: SURR: 1,2-Dichloroethane-d4	102 %	77-125								
2037-26-5	Surrogate: SURR: Toluene-d8	95.7 %	85-120								
460-00-4	Surrogate: SURR: p-Bromofluorobenzene	98.4 %	76-130								

**Total Solids**

**Log-in Notes:**

**Sample Notes:**

Sample Prepared by Method: % Solids Prep

CAS No.	Parameter	Result	Flag	Units	Reported to LOQ	Dilution	Reference Method	Date/Time Prepared	Date/Time Analyzed	Analyst
solids	* % Solids	89.5		%	0.100	1	SM 2540G Certifications: CTDOH	04/04/2019 11:00	04/05/2019 12:58	AS

### Sample Information

**Client Sample ID:** PD1-SB-103 (0-4') Grab

**York Sample ID:** 19C1272-05

York Project (SDG) No.

Client Project ID

Matrix

Collection Date/Time

Date Received

19C1272

1602600 Former Safety Kleen

Soil

March 28, 2019 11:02 am

03/29/2019



### Sample Information

**Client Sample ID:** PD1-SB-103 (0-4') Grab

**York Sample ID:** 19C1272-05

<u>York Project (SDG) No.</u> 19C1272	<u>Client Project ID</u> 1602600 Former Safety Kleen	<u>Matrix</u> Soil	<u>Collection Date/Time</u> March 28, 2019 11:02 am	<u>Date Received</u> 03/29/2019
--	---	-----------------------	--	------------------------------------

**Volatile Organics, 8260 - Comprehensive**

**Log-in Notes:**

**Sample Notes:**

Sample Prepared by Method: EPA 5035A

CAS No.	Parameter	Result	Flag	Units	Reported to LOD/MDL	LOQ	Dilution	Reference Method	Date/Time Prepared	Date/Time Analyzed	Analyst
630-20-6	1,1,1,2-Tetrachloroethane	ND		ug/kg dry	2.4	4.8	1	EPA 8260C Certifications: CTDOH,NELAC-NY10854,NELAC-NY12058,NJDEP,PADEP	04/02/2019 10:08	04/02/2019 12:56	LLJ
71-55-6	1,1,1-Trichloroethane	ND		ug/kg dry	2.4	4.8	1	EPA 8260C Certifications: CTDOH,NELAC-NY10854,NELAC-NY12058,NJDEP,PADEP	04/02/2019 10:08	04/02/2019 12:56	LLJ
79-34-5	1,1,2,2-Tetrachloroethane	ND		ug/kg dry	2.4	4.8	1	EPA 8260C Certifications: CTDOH,NELAC-NY10854,NELAC-NY12058,NJDEP,PADEP	04/02/2019 10:08	04/02/2019 12:56	LLJ
76-13-1	1,1,2-Trichloro-1,2,2-trifluoroethane (Freon 113)	ND		ug/kg dry	2.4	4.8	1	EPA 8260C Certifications: CTDOH,NELAC-NY10854,NELAC-NY12058,NJDEP	04/02/2019 10:08	04/02/2019 12:56	LLJ
79-00-5	1,1,2-Trichloroethane	ND		ug/kg dry	2.4	4.8	1	EPA 8260C Certifications: CTDOH,NELAC-NY10854,NELAC-NY12058,NJDEP,PADEP	04/02/2019 10:08	04/02/2019 12:56	LLJ
75-34-3	1,1-Dichloroethane	ND		ug/kg dry	2.4	4.8	1	EPA 8260C Certifications: CTDOH,NELAC-NY10854,NELAC-NY12058,NJDEP,PADEP	04/02/2019 10:08	04/02/2019 12:56	LLJ
75-35-4	1,1-Dichloroethylene	ND		ug/kg dry	2.4	4.8	1	EPA 8260C Certifications: CTDOH,NELAC-NY10854,NELAC-NY12058,NJDEP,PADEP	04/02/2019 10:08	04/02/2019 12:56	LLJ
87-61-6	1,2,3-Trichlorobenzene	ND		ug/kg dry	2.4	4.8	1	EPA 8260C Certifications: NELAC-NY10854,NELAC-NY12058,NJDEP,PADEP	04/02/2019 10:08	04/02/2019 12:56	LLJ
96-18-4	1,2,3-Trichloropropane	ND		ug/kg dry	2.4	4.8	1	EPA 8260C Certifications: NELAC-NY10854,NELAC-NY12058,NJDEP	04/02/2019 10:08	04/02/2019 12:56	LLJ
120-82-1	1,2,4-Trichlorobenzene	ND		ug/kg dry	2.4	4.8	1	EPA 8260C Certifications: NELAC-NY10854,NELAC-NY12058,NJDEP,PADEP	04/02/2019 10:08	04/02/2019 12:56	LLJ
95-63-6	1,2,4-Trimethylbenzene	ND		ug/kg dry	2.4	4.8	1	EPA 8260C Certifications: CTDOH,NELAC-NY10854,NELAC-NY12058,NJDEP,PADEP	04/02/2019 10:08	04/02/2019 12:56	LLJ
96-12-8	1,2-Dibromo-3-chloropropane	ND		ug/kg dry	2.4	4.8	1	EPA 8260C Certifications: CTDOH,NELAC-NY10854,NELAC-NY12058,NJDEP,PADEP	04/02/2019 10:08	04/02/2019 12:56	LLJ
106-93-4	1,2-Dibromoethane	ND		ug/kg dry	2.4	4.8	1	EPA 8260C Certifications: CTDOH,NELAC-NY10854,NELAC-NY12058,NJDEP,PADEP	04/02/2019 10:08	04/02/2019 12:56	LLJ
95-50-1	1,2-Dichlorobenzene	ND		ug/kg dry	2.4	4.8	1	EPA 8260C Certifications: CTDOH,NELAC-NY10854,NELAC-NY12058,NJDEP,PADEP	04/02/2019 10:08	04/02/2019 12:56	LLJ
107-06-2	1,2-Dichloroethane	ND		ug/kg dry	2.4	4.8	1	EPA 8260C Certifications: CTDOH,NELAC-NY10854,NELAC-NY12058,NJDEP,PADEP	04/02/2019 10:08	04/02/2019 12:56	LLJ
78-87-5	1,2-Dichloropropane	ND		ug/kg dry	2.4	4.8	1	EPA 8260C Certifications: CTDOH,NELAC-NY10854,NELAC-NY12058,NJDEP,PADEP	04/02/2019 10:08	04/02/2019 12:56	LLJ
108-67-8	1,3,5-Trimethylbenzene	ND		ug/kg dry	2.4	4.8	1	EPA 8260C Certifications: CTDOH,NELAC-NY10854,NELAC-NY12058,NJDEP,PADEP	04/02/2019 10:08	04/02/2019 12:56	LLJ
541-73-1	1,3-Dichlorobenzene	ND		ug/kg dry	2.4	4.8	1	EPA 8260C Certifications: CTDOH,NELAC-NY10854,NELAC-NY12058,NJDEP,PADEP	04/02/2019 10:08	04/02/2019 12:56	LLJ
106-46-7	1,4-Dichlorobenzene	ND		ug/kg dry	2.4	4.8	1	EPA 8260C Certifications: CTDOH,NELAC-NY10854,NELAC-NY12058,NJDEP,PADEP	04/02/2019 10:08	04/02/2019 12:56	LLJ
123-91-1	1,4-Dioxane	ND		ug/kg dry	48	96	1	EPA 8260C Certifications: NELAC-NY10854,NELAC-NY12058,NJDEP,PADEP	04/02/2019 10:08	04/02/2019 12:56	LLJ
78-93-3	2-Butanone	ND		ug/kg dry	2.4	4.8	1	EPA 8260C Certifications: CTDOH,NELAC-NY10854,NELAC-NY12058,NJDEP,PADEP	04/02/2019 10:08	04/02/2019 12:56	LLJ
591-78-6	2-Hexanone	ND		ug/kg dry	2.4	4.8	1	EPA 8260C Certifications: CTDOH,NELAC-NY10854,NELAC-NY12058,NJDEP,PADEP	04/02/2019 10:08	04/02/2019 12:56	LLJ
108-10-1	4-Methyl-2-pentanone	ND		ug/kg dry	2.4	4.8	1	EPA 8260C Certifications: CTDOH,NELAC-NY10854,NELAC-NY12058,NJDEP,PADEP	04/02/2019 10:08	04/02/2019 12:56	LLJ



### Sample Information

**Client Sample ID:** PD1-SB-103 (0-4') Grab

**York Sample ID:** 19C1272-05

York Project (SDG) No.

Client Project ID

Matrix

Collection Date/Time

Date Received

19C1272

1602600 Former Safety Kleen

Soil

March 28, 2019 11:02 am

03/29/2019

**Volatile Organics, 8260 - Comprehensive**

**Log-in Notes:**

**Sample Notes:**

Sample Prepared by Method: EPA 5035A

CAS No.	Parameter	Result	Flag	Units	Reported to LOD/MDL	LOQ	Dilution	Reference Method	Date/Time Prepared	Date/Time Analyzed	Analyst
67-64-1	Acetone	67		ug/kg dry	4.8	9.6	1	EPA 8260C Certifications: CTDOH,NELAC-NY10854,NELAC-NY12058,NJDEP,PADEP	04/02/2019 10:08	04/02/2019 12:56	LLJ
107-02-8	Acrolein	ND		ug/kg dry	4.8	9.6	1	EPA 8260C Certifications: CTDOH,NELAC-NY10854,NELAC-NY12058,NJDEP,PADEP	04/02/2019 10:08	04/02/2019 12:56	LLJ
107-13-1	Acrylonitrile	ND		ug/kg dry	2.4	4.8	1	EPA 8260C Certifications: CTDOH,NELAC-NY10854,NELAC-NY12058,NJDEP,PADEP	04/02/2019 10:08	04/02/2019 12:56	LLJ
71-43-2	Benzene	ND		ug/kg dry	2.4	4.8	1	EPA 8260C Certifications: CTDOH,NELAC-NY10854,NELAC-NY12058,NJDEP,PADEP	04/02/2019 10:08	04/02/2019 12:56	LLJ
74-97-5	Bromochloromethane	ND		ug/kg dry	2.4	4.8	1	EPA 8260C Certifications: NELAC-NY10854,NELAC-NY12058,NJDEP,PADEP	04/02/2019 10:08	04/02/2019 12:56	LLJ
75-27-4	Bromodichloromethane	ND		ug/kg dry	2.4	4.8	1	EPA 8260C Certifications: CTDOH,NELAC-NY10854,NELAC-NY12058,NJDEP,PADEP	04/02/2019 10:08	04/02/2019 12:56	LLJ
75-25-2	Bromoform	ND		ug/kg dry	2.4	4.8	1	EPA 8260C Certifications: CTDOH,NELAC-NY10854,NELAC-NY12058,NJDEP,PADEP	04/02/2019 10:08	04/02/2019 12:56	LLJ
74-83-9	Bromomethane	ND		ug/kg dry	2.4	4.8	1	EPA 8260C Certifications: CTDOH,NELAC-NY10854,NELAC-NY12058,NJDEP,PADEP	04/02/2019 10:08	04/02/2019 12:56	LLJ
75-15-0	Carbon disulfide	ND		ug/kg dry	2.4	4.8	1	EPA 8260C Certifications: CTDOH,NELAC-NY10854,NELAC-NY12058,NJDEP,PADEP	04/02/2019 10:08	04/02/2019 12:56	LLJ
56-23-5	Carbon tetrachloride	ND		ug/kg dry	2.4	4.8	1	EPA 8260C Certifications: CTDOH,NELAC-NY10854,NELAC-NY12058,NJDEP,PADEP	04/02/2019 10:08	04/02/2019 12:56	LLJ
108-90-7	Chlorobenzene	ND		ug/kg dry	2.4	4.8	1	EPA 8260C Certifications: CTDOH,NELAC-NY10854,NELAC-NY12058,NJDEP,PADEP	04/02/2019 10:08	04/02/2019 12:56	LLJ
75-00-3	Chloroethane	ND		ug/kg dry	2.4	4.8	1	EPA 8260C Certifications: CTDOH,NELAC-NY10854,NELAC-NY12058,NJDEP,PADEP	04/02/2019 10:08	04/02/2019 12:56	LLJ
67-66-3	Chloroform	ND		ug/kg dry	2.4	4.8	1	EPA 8260C Certifications: CTDOH,NELAC-NY10854,NELAC-NY12058,NJDEP,PADEP	04/02/2019 10:08	04/02/2019 12:56	LLJ
74-87-3	Chloromethane	ND		ug/kg dry	2.4	4.8	1	EPA 8260C Certifications: CTDOH,NELAC-NY10854,NELAC-NY12058,NJDEP,PADEP	04/02/2019 10:08	04/02/2019 12:56	LLJ
156-59-2	cis-1,2-Dichloroethylene	ND		ug/kg dry	2.4	4.8	1	EPA 8260C Certifications: CTDOH,NELAC-NY10854,NELAC-NY12058,NJDEP,PADEP	04/02/2019 10:08	04/02/2019 12:56	LLJ
10061-01-5	cis-1,3-Dichloropropylene	ND		ug/kg dry	2.4	4.8	1	EPA 8260C Certifications: CTDOH,NELAC-NY10854,NELAC-NY12058,NJDEP,PADEP	04/02/2019 10:08	04/02/2019 12:56	LLJ
110-82-7	Cyclohexane	ND		ug/kg dry	2.4	4.8	1	EPA 8260C Certifications: NELAC-NY10854,NELAC-NY12058,NJDEP,PADEP	04/02/2019 10:08	04/02/2019 12:56	LLJ
124-48-1	Dibromochloromethane	ND		ug/kg dry	2.4	4.8	1	EPA 8260C Certifications: NELAC-NY10854,NELAC-NY12058,NJDEP,PADEP	04/02/2019 10:08	04/02/2019 12:56	LLJ
74-95-3	Dibromomethane	ND		ug/kg dry	2.4	4.8	1	EPA 8260C Certifications: NELAC-NY10854,NELAC-NY12058,NJDEP,PADEP	04/02/2019 10:08	04/02/2019 12:56	LLJ
75-71-8	Dichlorodifluoromethane	ND		ug/kg dry	2.4	4.8	1	EPA 8260C Certifications: NELAC-NY10854,NELAC-NY12058,NJDEP,PADEP	04/02/2019 10:08	04/02/2019 12:56	LLJ
100-41-4	Ethyl Benzene	ND		ug/kg dry	2.4	4.8	1	EPA 8260C Certifications: CTDOH,NELAC-NY10854,NELAC-NY12058,NJDEP,PADEP	04/02/2019 10:08	04/02/2019 12:56	LLJ
87-68-3	Hexachlorobutadiene	ND		ug/kg dry	2.4	4.8	1	EPA 8260C Certifications: NELAC-NY10854,NELAC-NY12058,NJDEP,PADEP	04/02/2019 10:08	04/02/2019 12:56	LLJ
98-82-8	Isopropylbenzene	ND		ug/kg dry	2.4	4.8	1	EPA 8260C Certifications: CTDOH,NELAC-NY10854,NELAC-NY12058,NJDEP,PADEP	04/02/2019 10:08	04/02/2019 12:56	LLJ



### Sample Information

**Client Sample ID:** PD1-SB-103 (0-4') Grab

**York Sample ID:** 19C1272-05

York Project (SDG) No.

Client Project ID

Matrix

Collection Date/Time

Date Received

19C1272

1602600 Former Safety Kleen

Soil

March 28, 2019 11:02 am

03/29/2019

**Volatile Organics, 8260 - Comprehensive**

**Log-in Notes:**

**Sample Notes:**

Sample Prepared by Method: EPA 5035A

CAS No.	Parameter	Result	Flag	Units	Reported to LOD/MDL	LOQ	Dilution	Reference Method	Date/Time Prepared	Date/Time Analyzed	Analyst
79-20-9	Methyl acetate	ND		ug/kg dry	2.4	4.8	1	EPA 8260C Certifications: NELAC-NY10854,NELAC-NY12058,NJDEP,PADEP	04/02/2019 10:08	04/02/2019 12:56	LLJ
1634-04-4	Methyl tert-butyl ether (MTBE)	ND		ug/kg dry	2.4	4.8	1	EPA 8260C Certifications: CTDOH,NELAC-NY10854,NELAC-NY12058,NJDEP,PADEP	04/02/2019 10:08	04/02/2019 12:56	LLJ
108-87-2	Methylcyclohexane	ND		ug/kg dry	2.4	4.8	1	EPA 8260C Certifications: NELAC-NY10854,NELAC-NY12058,NJDEP,PADEP	04/02/2019 10:08	04/02/2019 12:56	LLJ
75-09-2	<b>Methylene chloride</b>	<b>4.8</b>	J	ug/kg dry	4.8	9.6	1	EPA 8260C Certifications: CTDOH,NELAC-NY10854,NELAC-NY12058,NJDEP,PADEP	04/02/2019 10:08	04/02/2019 12:56	LLJ
104-51-8	n-Butylbenzene	ND		ug/kg dry	2.4	4.8	1	EPA 8260C Certifications: CTDOH,NELAC-NY10854,NELAC-NY12058,NJDEP,PADEP	04/02/2019 10:08	04/02/2019 12:56	LLJ
103-65-1	n-Propylbenzene	ND		ug/kg dry	2.4	4.8	1	EPA 8260C Certifications: CTDOH,NELAC-NY10854,NELAC-NY12058,NJDEP,PADEP	04/02/2019 10:08	04/02/2019 12:56	LLJ
95-47-6	o-Xylene	ND		ug/kg dry	2.4	4.8	1	EPA 8260C Certifications: CTDOH,NELAC-NY10854,NELAC-NY12058,NJDEP,PADEP	04/02/2019 10:08	04/02/2019 12:56	LLJ
179601-23-1	p- & m- Xylenes	ND		ug/kg dry	4.8	9.6	1	EPA 8260C Certifications: CTDOH,NELAC-NY10854,NELAC-NY12058,NJDEP,PADEP	04/02/2019 10:08	04/02/2019 12:56	LLJ
99-87-6	p-Isopropyltoluene	ND		ug/kg dry	2.4	4.8	1	EPA 8260C Certifications: CTDOH,NELAC-NY10854,NELAC-NY12058,NJDEP,PADEP	04/02/2019 10:08	04/02/2019 12:56	LLJ
135-98-8	sec-Butylbenzene	ND		ug/kg dry	2.4	4.8	1	EPA 8260C Certifications: CTDOH,NELAC-NY10854,NELAC-NY12058,NJDEP,PADEP	04/02/2019 10:08	04/02/2019 12:56	LLJ
100-42-5	Styrene	ND		ug/kg dry	2.4	4.8	1	EPA 8260C Certifications: CTDOH,NELAC-NY10854,NELAC-NY12058,NJDEP,PADEP	04/02/2019 10:08	04/02/2019 12:56	LLJ
75-65-0	tert-Butyl alcohol (TBA)	ND		ug/kg dry	2.4	4.8	1	EPA 8260C Certifications: NELAC-NY10854,NELAC-NY12058,NJDEP,PADEP	04/02/2019 10:08	04/02/2019 12:56	LLJ
98-06-6	tert-Butylbenzene	ND		ug/kg dry	2.4	4.8	1	EPA 8260C Certifications: CTDOH,NELAC-NY10854,NELAC-NY12058,NJDEP,PADEP	04/02/2019 10:08	04/02/2019 12:56	LLJ
127-18-4	<b>Tetrachloroethylene</b>	<b>8.7</b>		ug/kg dry	2.4	4.8	1	EPA 8260C Certifications: CTDOH,NELAC-NY10854,NELAC-NY12058,NJDEP,PADEP	04/02/2019 10:08	04/02/2019 12:56	LLJ
108-88-3	Toluene	ND		ug/kg dry	2.4	4.8	1	EPA 8260C Certifications: CTDOH,NELAC-NY10854,NELAC-NY12058,NJDEP,PADEP	04/02/2019 10:08	04/02/2019 12:56	LLJ
156-60-5	trans-1,2-Dichloroethylene	ND		ug/kg dry	2.4	4.8	1	EPA 8260C Certifications: CTDOH,NELAC-NY10854,NELAC-NY12058,NJDEP,PADEP	04/02/2019 10:08	04/02/2019 12:56	LLJ
10061-02-6	trans-1,3-Dichloropropylene	ND		ug/kg dry	2.4	4.8	1	EPA 8260C Certifications: CTDOH,NELAC-NY10854,NELAC-NY12058,NJDEP,PADEP	04/02/2019 10:08	04/02/2019 12:56	LLJ
110-57-6	* trans-1,4-dichloro-2-butene	ND		ug/kg dry	2.4	4.8	1	EPA 8260C Certifications: CTDOH	04/02/2019 10:08	04/02/2019 12:56	LLJ
79-01-6	Trichloroethylene	ND		ug/kg dry	2.4	4.8	1	EPA 8260C Certifications: CTDOH,NELAC-NY10854,NELAC-NY12058,NJDEP,PADEP	04/02/2019 10:08	04/02/2019 12:56	LLJ
75-69-4	Trichlorofluoromethane	ND		ug/kg dry	2.4	4.8	1	EPA 8260C Certifications: CTDOH,NELAC-NY10854,NELAC-NY12058,NJDEP,PADEP	04/02/2019 10:08	04/02/2019 12:56	LLJ
75-01-4	Vinyl Chloride	ND		ug/kg dry	2.4	4.8	1	EPA 8260C Certifications: CTDOH,NELAC-NY10854,NELAC-NY12058,NJDEP,PADEP	04/02/2019 10:08	04/02/2019 12:56	LLJ
1330-20-7	Xylenes, Total	ND		ug/kg dry	7.2	14	1	EPA 8260C Certifications: CTDOH,NELAC-NY10854,NELAC-NY12058,NJDEP	04/02/2019 10:08	04/02/2019 12:56	LLJ
	<b>Surrogate Recoveries</b>	<b>Result</b>		<b>Acceptance Range</b>							
17060-07-0	Surrogate: SURR: 1,2-Dichloroethane-d4	112 %		77-125							





### Sample Information

**Client Sample ID:** PD1-SB-103 (0-4') Grab

**York Sample ID:** 19C1272-05

<u>York Project (SDG) No.</u> 19C1272	<u>Client Project ID</u> 1602600 Former Safety Kleen	<u>Matrix</u> Soil	<u>Collection Date/Time</u> March 28, 2019 11:02 am	<u>Date Received</u> 03/29/2019
--	---	-----------------------	--	------------------------------------

**Volatile Organics, 8260 - Comprehensive**

**Log-in Notes:**

**Sample Notes:**

Sample Prepared by Method: EPA 5035A

CAS No.	Parameter	Result	Flag	Units	Reported to LOD/MDL	LOQ	Dilution	Reference Method	Date/Time Prepared	Date/Time Analyzed	Analyst
2037-26-5	Surrogate: SURRE: Toluene-d8	98.2 %			85-120						
460-00-4	Surrogate: SURRE: p-Bromofluorobenzene	108 %			76-130						

**Total Solids**

**Log-in Notes:**

**Sample Notes:**

Sample Prepared by Method: % Solids Prep

CAS No.	Parameter	Result	Flag	Units	Reported to LOQ	Dilution	Reference Method	Date/Time Prepared	Date/Time Analyzed	Analyst
solids	* % Solids	80.8		%	0.100	1	SM 2540G Certifications: CTDOH	04/04/2019 11:00	04/05/2019 12:58	AS

### Sample Information

**Client Sample ID:** PD1-SB-103 (4-7.5') Grab

**York Sample ID:** 19C1272-06

<u>York Project (SDG) No.</u> 19C1272	<u>Client Project ID</u> 1602600 Former Safety Kleen	<u>Matrix</u> Soil	<u>Collection Date/Time</u> March 28, 2019 11:15 am	<u>Date Received</u> 03/29/2019
--	---	-----------------------	--	------------------------------------

**Volatile Organics, 8260 - Comprehensive**

**Log-in Notes:**

**Sample Notes:**

Sample Prepared by Method: EPA 5035A

CAS No.	Parameter	Result	Flag	Units	Reported to LOD/MDL	LOQ	Dilution	Reference Method	Date/Time Prepared	Date/Time Analyzed	Analyst
630-20-6	1,1,1,2-Tetrachloroethane	ND		ug/kg dry	2.3	4.5	1	EPA 8260C Certifications: CTDOH,NELAC-NY10854,NELAC-NY12058,NJDEP,PADEP	04/02/2019 10:08	04/02/2019 13:23	LLJ
71-55-6	1,1,1-Trichloroethane	ND		ug/kg dry	2.3	4.5	1	EPA 8260C Certifications: CTDOH,NELAC-NY10854,NELAC-NY12058,NJDEP,PADEP	04/02/2019 10:08	04/02/2019 13:23	LLJ
79-34-5	1,1,2,2-Tetrachloroethane	ND		ug/kg dry	2.3	4.5	1	EPA 8260C Certifications: CTDOH,NELAC-NY10854,NELAC-NY12058,NJDEP,PADEP	04/02/2019 10:08	04/02/2019 13:23	LLJ
76-13-1	1,1,2-Trichloro-1,2,2-trifluoroethane (Freon 113)	ND		ug/kg dry	2.3	4.5	1	EPA 8260C Certifications: CTDOH,NELAC-NY10854,NELAC-NY12058,NJDEP	04/02/2019 10:08	04/02/2019 13:23	LLJ
79-00-5	1,1,2-Trichloroethane	ND		ug/kg dry	2.3	4.5	1	EPA 8260C Certifications: CTDOH,NELAC-NY10854,NELAC-NY12058,NJDEP,PADEP	04/02/2019 10:08	04/02/2019 13:23	LLJ
75-34-3	1,1-Dichloroethane	ND		ug/kg dry	2.3	4.5	1	EPA 8260C Certifications: CTDOH,NELAC-NY10854,NELAC-NY12058,NJDEP,PADEP	04/02/2019 10:08	04/02/2019 13:23	LLJ
75-35-4	1,1-Dichloroethylene	ND		ug/kg dry	2.3	4.5	1	EPA 8260C Certifications: CTDOH,NELAC-NY10854,NELAC-NY12058,NJDEP,PADEP	04/02/2019 10:08	04/02/2019 13:23	LLJ
87-61-6	1,2,3-Trichlorobenzene	ND		ug/kg dry	2.3	4.5	1	EPA 8260C Certifications: NELAC-NY10854,NELAC-NY12058,NJDEP,PADEP	04/02/2019 10:08	04/02/2019 13:23	LLJ
96-18-4	1,2,3-Trichloropropane	ND		ug/kg dry	2.3	4.5	1	EPA 8260C Certifications: NELAC-NY10854,NELAC-NY12058,NJDEP	04/02/2019 10:08	04/02/2019 13:23	LLJ
120-82-1	1,2,4-Trichlorobenzene	ND		ug/kg dry	2.3	4.5	1	EPA 8260C Certifications: NELAC-NY10854,NELAC-NY12058,NJDEP,PADEP	04/02/2019 10:08	04/02/2019 13:23	LLJ



### Sample Information

**Client Sample ID:** PD1-SB-103 (4-7.5') Grab

**York Sample ID:** 19C1272-06

York Project (SDG) No.

Client Project ID

Matrix

Collection Date/Time

Date Received

19C1272

1602600 Former Safety Kleen

Soil

March 28, 2019 11:15 am

03/29/2019

**Volatile Organics, 8260 - Comprehensive**

**Log-in Notes:**

**Sample Notes:**

Sample Prepared by Method: EPA 5035A

CAS No.	Parameter	Result	Flag	Units	Reported to LOD/MDL	LOQ	Dilution	Reference Method	Date/Time Prepared	Date/Time Analyzed	Analyst
95-63-6	1,2,4-Trimethylbenzene	ND		ug/kg dry	2.3	4.5	1	EPA 8260C Certifications: CTDOH,NELAC-NY10854,NELAC-NY12058,NJDEP,PADEP	04/02/2019 10:08	04/02/2019 13:23	LLJ
96-12-8	1,2-Dibromo-3-chloropropane	ND		ug/kg dry	2.3	4.5	1	EPA 8260C Certifications: CTDOH,NELAC-NY10854,NELAC-NY12058,NJDEP,PADEP	04/02/2019 10:08	04/02/2019 13:23	LLJ
106-93-4	1,2-Dibromoethane	ND		ug/kg dry	2.3	4.5	1	EPA 8260C Certifications: CTDOH,NELAC-NY10854,NELAC-NY12058,NJDEP,PADEP	04/02/2019 10:08	04/02/2019 13:23	LLJ
95-50-1	1,2-Dichlorobenzene	ND		ug/kg dry	2.3	4.5	1	EPA 8260C Certifications: CTDOH,NELAC-NY10854,NELAC-NY12058,NJDEP,PADEP	04/02/2019 10:08	04/02/2019 13:23	LLJ
107-06-2	1,2-Dichloroethane	ND		ug/kg dry	2.3	4.5	1	EPA 8260C Certifications: CTDOH,NELAC-NY10854,NELAC-NY12058,NJDEP,PADEP	04/02/2019 10:08	04/02/2019 13:23	LLJ
78-87-5	1,2-Dichloropropane	ND		ug/kg dry	2.3	4.5	1	EPA 8260C Certifications: CTDOH,NELAC-NY10854,NELAC-NY12058,NJDEP,PADEP	04/02/2019 10:08	04/02/2019 13:23	LLJ
108-67-8	1,3,5-Trimethylbenzene	ND		ug/kg dry	2.3	4.5	1	EPA 8260C Certifications: CTDOH,NELAC-NY10854,NELAC-NY12058,NJDEP,PADEP	04/02/2019 10:08	04/02/2019 13:23	LLJ
541-73-1	1,3-Dichlorobenzene	ND		ug/kg dry	2.3	4.5	1	EPA 8260C Certifications: CTDOH,NELAC-NY10854,NELAC-NY12058,NJDEP,PADEP	04/02/2019 10:08	04/02/2019 13:23	LLJ
106-46-7	1,4-Dichlorobenzene	ND		ug/kg dry	2.3	4.5	1	EPA 8260C Certifications: CTDOH,NELAC-NY10854,NELAC-NY12058,NJDEP,PADEP	04/02/2019 10:08	04/02/2019 13:23	LLJ
123-91-1	1,4-Dioxane	ND		ug/kg dry	45	91	1	EPA 8260C Certifications: NELAC-NY10854,NELAC-NY12058,NJDEP,PADEP	04/02/2019 10:08	04/02/2019 13:23	LLJ
78-93-3	2-Butanone	ND		ug/kg dry	2.3	4.5	1	EPA 8260C Certifications: CTDOH,NELAC-NY10854,NELAC-NY12058,NJDEP,PADEP	04/02/2019 10:08	04/02/2019 13:23	LLJ
591-78-6	2-Hexanone	ND		ug/kg dry	2.3	4.5	1	EPA 8260C Certifications: CTDOH,NELAC-NY10854,NELAC-NY12058,NJDEP,PADEP	04/02/2019 10:08	04/02/2019 13:23	LLJ
108-10-1	4-Methyl-2-pentanone	ND		ug/kg dry	2.3	4.5	1	EPA 8260C Certifications: CTDOH,NELAC-NY10854,NELAC-NY12058,NJDEP,PADEP	04/02/2019 10:08	04/02/2019 13:23	LLJ
67-64-1	<b>Acetone</b>	<b>16</b>		ug/kg dry	4.5	9.1	1	EPA 8260C Certifications: CTDOH,NELAC-NY10854,NELAC-NY12058,NJDEP,PADEP	04/02/2019 10:08	04/02/2019 13:23	LLJ
107-02-8	Acrolein	ND		ug/kg dry	4.5	9.1	1	EPA 8260C Certifications: CTDOH,NELAC-NY10854,NELAC-NY12058,NJDEP,PADEP	04/02/2019 10:08	04/02/2019 13:23	LLJ
107-13-1	Acrylonitrile	ND		ug/kg dry	2.3	4.5	1	EPA 8260C Certifications: CTDOH,NELAC-NY10854,NELAC-NY12058,NJDEP,PADEP	04/02/2019 10:08	04/02/2019 13:23	LLJ
71-43-2	Benzene	ND		ug/kg dry	2.3	4.5	1	EPA 8260C Certifications: CTDOH,NELAC-NY10854,NELAC-NY12058,NJDEP,PADEP	04/02/2019 10:08	04/02/2019 13:23	LLJ
74-97-5	Bromochloromethane	ND		ug/kg dry	2.3	4.5	1	EPA 8260C Certifications: NELAC-NY10854,NELAC-NY12058,NJDEP,PADEP	04/02/2019 10:08	04/02/2019 13:23	LLJ
75-27-4	Bromodichloromethane	ND		ug/kg dry	2.3	4.5	1	EPA 8260C Certifications: CTDOH,NELAC-NY10854,NELAC-NY12058,NJDEP,PADEP	04/02/2019 10:08	04/02/2019 13:23	LLJ
75-25-2	Bromoform	ND		ug/kg dry	2.3	4.5	1	EPA 8260C Certifications: CTDOH,NELAC-NY10854,NELAC-NY12058,NJDEP,PADEP	04/02/2019 10:08	04/02/2019 13:23	LLJ
74-83-9	Bromomethane	ND		ug/kg dry	2.3	4.5	1	EPA 8260C Certifications: CTDOH,NELAC-NY10854,NELAC-NY12058,NJDEP,PADEP	04/02/2019 10:08	04/02/2019 13:23	LLJ
75-15-0	Carbon disulfide	ND		ug/kg dry	2.3	4.5	1	EPA 8260C Certifications: CTDOH,NELAC-NY10854,NELAC-NY12058,NJDEP,PADEP	04/02/2019 10:08	04/02/2019 13:23	LLJ
56-23-5	Carbon tetrachloride	ND		ug/kg dry	2.3	4.5	1	EPA 8260C Certifications: CTDOH,NELAC-NY10854,NELAC-NY12058,NJDEP,PADEP	04/02/2019 10:08	04/02/2019 13:23	LLJ



### Sample Information

**Client Sample ID:** PD1-SB-103 (4-7.5') Grab

**York Sample ID:** 19C1272-06

York Project (SDG) No.

Client Project ID

Matrix

Collection Date/Time

Date Received

19C1272

1602600 Former Safety Kleen

Soil

March 28, 2019 11:15 am

03/29/2019

**Volatile Organics, 8260 - Comprehensive**

**Log-in Notes:**

**Sample Notes:**

Sample Prepared by Method: EPA 5035A

CAS No.	Parameter	Result	Flag	Units	Reported to LOD/MDL	LOQ	Dilution	Reference Method	Date/Time Prepared	Date/Time Analyzed	Analyst
108-90-7	Chlorobenzene	ND		ug/kg dry	2.3	4.5	1	EPA 8260C Certifications: CTDOH,NELAC-NY10854,NELAC-NY12058,NJDEP,PADEP	04/02/2019 10:08	04/02/2019 13:23	LLJ
75-00-3	Chloroethane	ND		ug/kg dry	2.3	4.5	1	EPA 8260C Certifications: CTDOH,NELAC-NY10854,NELAC-NY12058,NJDEP,PADEP	04/02/2019 10:08	04/02/2019 13:23	LLJ
67-66-3	Chloroform	ND		ug/kg dry	2.3	4.5	1	EPA 8260C Certifications: CTDOH,NELAC-NY10854,NELAC-NY12058,NJDEP,PADEP	04/02/2019 10:08	04/02/2019 13:23	LLJ
74-87-3	Chloromethane	ND		ug/kg dry	2.3	4.5	1	EPA 8260C Certifications: CTDOH,NELAC-NY10854,NELAC-NY12058,NJDEP,PADEP	04/02/2019 10:08	04/02/2019 13:23	LLJ
156-59-2	cis-1,2-Dichloroethylene	ND		ug/kg dry	2.3	4.5	1	EPA 8260C Certifications: CTDOH,NELAC-NY10854,NELAC-NY12058,NJDEP,PADEP	04/02/2019 10:08	04/02/2019 13:23	LLJ
10061-01-5	cis-1,3-Dichloropropylene	ND		ug/kg dry	2.3	4.5	1	EPA 8260C Certifications: CTDOH,NELAC-NY10854,NELAC-NY12058,NJDEP,PADEP	04/02/2019 10:08	04/02/2019 13:23	LLJ
110-82-7	Cyclohexane	ND		ug/kg dry	2.3	4.5	1	EPA 8260C Certifications: NELAC-NY10854,NELAC-NY12058,NJDEP,PADEP	04/02/2019 10:08	04/02/2019 13:23	LLJ
124-48-1	Dibromochloromethane	ND		ug/kg dry	2.3	4.5	1	EPA 8260C Certifications: NELAC-NY10854,NELAC-NY12058,NJDEP,PADEP	04/02/2019 10:08	04/02/2019 13:23	LLJ
74-95-3	Dibromomethane	ND		ug/kg dry	2.3	4.5	1	EPA 8260C Certifications: NELAC-NY10854,NELAC-NY12058,NJDEP,PADEP	04/02/2019 10:08	04/02/2019 13:23	LLJ
75-71-8	Dichlorodifluoromethane	ND		ug/kg dry	2.3	4.5	1	EPA 8260C Certifications: NELAC-NY10854,NELAC-NY12058,NJDEP,PADEP	04/02/2019 10:08	04/02/2019 13:23	LLJ
100-41-4	Ethyl Benzene	ND		ug/kg dry	2.3	4.5	1	EPA 8260C Certifications: CTDOH,NELAC-NY10854,NELAC-NY12058,NJDEP,PADEP	04/02/2019 10:08	04/02/2019 13:23	LLJ
87-68-3	Hexachlorobutadiene	ND		ug/kg dry	2.3	4.5	1	EPA 8260C Certifications: NELAC-NY10854,NELAC-NY12058,NJDEP,PADEP	04/02/2019 10:08	04/02/2019 13:23	LLJ
98-82-8	Isopropylbenzene	ND		ug/kg dry	2.3	4.5	1	EPA 8260C Certifications: CTDOH,NELAC-NY10854,NELAC-NY12058,NJDEP,PADEP	04/02/2019 10:08	04/02/2019 13:23	LLJ
79-20-9	Methyl acetate	ND		ug/kg dry	2.3	4.5	1	EPA 8260C Certifications: NELAC-NY10854,NELAC-NY12058,NJDEP,PADEP	04/02/2019 10:08	04/02/2019 13:23	LLJ
1634-04-4	Methyl tert-butyl ether (MTBE)	ND		ug/kg dry	2.3	4.5	1	EPA 8260C Certifications: CTDOH,NELAC-NY10854,NELAC-NY12058,NJDEP,PADEP	04/02/2019 10:08	04/02/2019 13:23	LLJ
108-87-2	Methylcyclohexane	ND		ug/kg dry	2.3	4.5	1	EPA 8260C Certifications: NELAC-NY10854,NELAC-NY12058,NJDEP,PADEP	04/02/2019 10:08	04/02/2019 13:23	LLJ
75-09-2	Methylene chloride	ND		ug/kg dry	4.5	9.1	1	EPA 8260C Certifications: CTDOH,NELAC-NY10854,NELAC-NY12058,NJDEP,PADEP	04/02/2019 10:08	04/02/2019 13:23	LLJ
104-51-8	n-Butylbenzene	ND		ug/kg dry	2.3	4.5	1	EPA 8260C Certifications: CTDOH,NELAC-NY10854,NELAC-NY12058,NJDEP,PADEP	04/02/2019 10:08	04/02/2019 13:23	LLJ
103-65-1	n-Propylbenzene	ND		ug/kg dry	2.3	4.5	1	EPA 8260C Certifications: CTDOH,NELAC-NY10854,NELAC-NY12058,NJDEP,PADEP	04/02/2019 10:08	04/02/2019 13:23	LLJ
95-47-6	o-Xylene	ND		ug/kg dry	2.3	4.5	1	EPA 8260C Certifications: CTDOH,NELAC-NY10854,NELAC-NY12058,NJDEP,PADEP	04/02/2019 10:08	04/02/2019 13:23	LLJ
179601-23-1	p- & m- Xylenes	ND		ug/kg dry	4.5	9.1	1	EPA 8260C Certifications: CTDOH,NELAC-NY10854,NELAC-NY12058,NJDEP,PADEP	04/02/2019 10:08	04/02/2019 13:23	LLJ
99-87-6	p-Isopropyltoluene	ND		ug/kg dry	2.3	4.5	1	EPA 8260C Certifications: CTDOH,NELAC-NY10854,NELAC-NY12058,NJDEP,PADEP	04/02/2019 10:08	04/02/2019 13:23	LLJ
135-98-8	sec-Butylbenzene	ND		ug/kg dry	2.3	4.5	1	EPA 8260C Certifications: CTDOH,NELAC-NY10854,NELAC-NY12058,NJDEP,PADEP	04/02/2019 10:08	04/02/2019 13:23	LLJ



### Sample Information

**Client Sample ID:** PD1-SB-103 (4-7.5') Grab

**York Sample ID:** 19C1272-06

York Project (SDG) No.

Client Project ID

Matrix

Collection Date/Time

Date Received

19C1272

1602600 Former Safety Kleen

Soil

March 28, 2019 11:15 am

03/29/2019

**Volatile Organics, 8260 - Comprehensive**

**Log-in Notes:**

**Sample Notes:**

Sample Prepared by Method: EPA 5035A

CAS No.	Parameter	Result	Flag	Units	Reported to LOD/MDL	LOQ	Dilution	Reference Method	Date/Time Prepared	Date/Time Analyzed	Analyst
100-42-5	Styrene	ND		ug/kg dry	2.3	4.5	1	EPA 8260C Certifications: CTDOH,NELAC-NY10854,NELAC-NY12058,NJDEP,PADEP	04/02/2019 10:08	04/02/2019 13:23	LLJ
75-65-0	tert-Butyl alcohol (TBA)	ND		ug/kg dry	2.3	4.5	1	EPA 8260C Certifications: NELAC-NY10854,NELAC-NY12058,NJDEP,PADEP	04/02/2019 10:08	04/02/2019 13:23	LLJ
98-06-6	tert-Butylbenzene	ND		ug/kg dry	2.3	4.5	1	EPA 8260C Certifications: CTDOH,NELAC-NY10854,NELAC-NY12058,NJDEP,PADEP	04/02/2019 10:08	04/02/2019 13:23	LLJ
127-18-4	<b>Tetrachloroethylene</b>	<b>15</b>		ug/kg dry	2.3	4.5	1	EPA 8260C Certifications: CTDOH,NELAC-NY10854,NELAC-NY12058,NJDEP,PADEP	04/02/2019 10:08	04/02/2019 13:23	LLJ
108-88-3	Toluene	ND		ug/kg dry	2.3	4.5	1	EPA 8260C Certifications: CTDOH,NELAC-NY10854,NELAC-NY12058,NJDEP,PADEP	04/02/2019 10:08	04/02/2019 13:23	LLJ
156-60-5	trans-1,2-Dichloroethylene	ND		ug/kg dry	2.3	4.5	1	EPA 8260C Certifications: CTDOH,NELAC-NY10854,NELAC-NY12058,NJDEP,PADEP	04/02/2019 10:08	04/02/2019 13:23	LLJ
10061-02-6	trans-1,3-Dichloropropylene	ND		ug/kg dry	2.3	4.5	1	EPA 8260C Certifications: CTDOH,NELAC-NY10854,NELAC-NY12058,NJDEP,PADEP	04/02/2019 10:08	04/02/2019 13:23	LLJ
110-57-6	* trans-1,4-dichloro-2-butene	ND		ug/kg dry	2.3	4.5	1	EPA 8260C Certifications: CTDOH	04/02/2019 10:08	04/02/2019 13:23	LLJ
79-01-6	Trichloroethylene	ND		ug/kg dry	2.3	4.5	1	EPA 8260C Certifications: CTDOH,NELAC-NY10854,NELAC-NY12058,NJDEP,PADEP	04/02/2019 10:08	04/02/2019 13:23	LLJ
75-69-4	Trichlorofluoromethane	ND		ug/kg dry	2.3	4.5	1	EPA 8260C Certifications: CTDOH,NELAC-NY10854,NELAC-NY12058,NJDEP,PADEP	04/02/2019 10:08	04/02/2019 13:23	LLJ
75-01-4	Vinyl Chloride	ND		ug/kg dry	2.3	4.5	1	EPA 8260C Certifications: CTDOH,NELAC-NY10854,NELAC-NY12058,NJDEP,PADEP	04/02/2019 10:08	04/02/2019 13:23	LLJ
1330-20-7	Xylenes, Total	ND		ug/kg dry	6.8	14	1	EPA 8260C Certifications: CTDOH,NELAC-NY10854,NELAC-NY12058,NJDEP	04/02/2019 10:08	04/02/2019 13:23	LLJ
<b>Surrogate Recoveries</b>		<b>Result</b>			<b>Acceptance Range</b>						
17060-07-0	Surrogate: SURR: 1,2-Dichloroethane-d4	113 %			77-125						
2037-26-5	Surrogate: SURR: Toluene-d8	98.4 %			85-120						
460-00-4	Surrogate: SURR: p-Bromofluorobenzene	110 %			76-130						

**Total Solids**

**Log-in Notes:**

**Sample Notes:**

Sample Prepared by Method: % Solids Prep

CAS No.	Parameter	Result	Flag	Units	Reported to LOQ	Dilution	Reference Method	Date/Time Prepared	Date/Time Analyzed	Analyst
solids	* % Solids	84.1		%	0.100	1	SM 2540G Certifications: CTDOH	04/04/2019 11:00	04/05/2019 12:58	AS

### Sample Information

**Client Sample ID:** PD1-SB-103 (7.5-8.5') Grab

**York Sample ID:** 19C1272-07

York Project (SDG) No.

Client Project ID

Matrix

Collection Date/Time

Date Received

19C1272

1602600 Former Safety Kleen

Soil

March 28, 2019 11:20 am

03/29/2019



### Sample Information

**Client Sample ID:** PD1-SB-103 (7.5-8.5') Grab

**York Sample ID:** 19C1272-07

York Project (SDG) No.

Client Project ID

Matrix

Collection Date/Time

Date Received

19C1272

1602600 Former Safety Kleen

Soil

March 28, 2019 11:20 am

03/29/2019

**Volatile Organics, 8260 - Comprehensive**

**Log-in Notes:**

**Sample Notes:**

Sample Prepared by Method: EPA 5035A

CAS No.	Parameter	Result	Flag	Units	Reported to LOD/MDL	LOQ	Dilution	Reference Method	Date/Time Prepared	Date/Time Analyzed	Analyst
630-20-6	1,1,1,2-Tetrachloroethane	ND		ug/kg dry	2000	4000	1000	EPA 8260C Certifications: CTDOH,NELAC-NY10854,NELAC-NY12058,NJDEP,PADEP	04/05/2019 14:16	04/05/2019 15:35	LLJ
71-55-6	1,1,1-Trichloroethane	ND		ug/kg dry	2000	4000	1000	EPA 8260C Certifications: CTDOH,NELAC-NY10854,NELAC-NY12058,NJDEP,PADEP	04/05/2019 14:16	04/05/2019 15:35	LLJ
79-34-5	1,1,2,2-Tetrachloroethane	ND		ug/kg dry	2000	4000	1000	EPA 8260C Certifications: CTDOH,NELAC-NY10854,NELAC-NY12058,NJDEP,PADEP	04/05/2019 14:16	04/05/2019 15:35	LLJ
76-13-1	1,1,2-Trichloro-1,2,2-trifluoroethane (Freon 113)	ND		ug/kg dry	2000	4000	1000	EPA 8260C Certifications: CTDOH,NELAC-NY10854,NELAC-NY12058,NJDEP	04/05/2019 14:16	04/05/2019 15:35	LLJ
79-00-5	1,1,2-Trichloroethane	ND		ug/kg dry	2000	4000	1000	EPA 8260C Certifications: CTDOH,NELAC-NY10854,NELAC-NY12058,NJDEP,PADEP	04/05/2019 14:16	04/05/2019 15:35	LLJ
75-34-3	1,1-Dichloroethane	ND		ug/kg dry	2000	4000	1000	EPA 8260C Certifications: CTDOH,NELAC-NY10854,NELAC-NY12058,NJDEP,PADEP	04/05/2019 14:16	04/05/2019 15:35	LLJ
75-35-4	1,1-Dichloroethylene	ND		ug/kg dry	2000	4000	1000	EPA 8260C Certifications: CTDOH,NELAC-NY10854,NELAC-NY12058,NJDEP,PADEP	04/05/2019 14:16	04/05/2019 15:35	LLJ
87-61-6	1,2,3-Trichlorobenzene	ND		ug/kg dry	2000	4000	1000	EPA 8260C Certifications: NELAC-NY10854,NELAC-NY12058,NJDEP,PADEP	04/05/2019 14:16	04/05/2019 15:35	LLJ
96-18-4	1,2,3-Trichloropropane	ND		ug/kg dry	2000	4000	1000	EPA 8260C Certifications: NELAC-NY10854,NELAC-NY12058,NJDEP	04/05/2019 14:16	04/05/2019 15:35	LLJ
120-82-1	1,2,4-Trichlorobenzene	ND		ug/kg dry	2000	4000	1000	EPA 8260C Certifications: NELAC-NY10854,NELAC-NY12058,NJDEP,PADEP	04/05/2019 14:16	04/05/2019 15:35	LLJ
95-63-6	1,2,4-Trimethylbenzene	ND		ug/kg dry	2000	4000	1000	EPA 8260C Certifications: CTDOH,NELAC-NY10854,NELAC-NY12058,NJDEP,PADEP	04/05/2019 14:16	04/05/2019 15:35	LLJ
96-12-8	1,2-Dibromo-3-chloropropane	ND		ug/kg dry	2000	4000	1000	EPA 8260C Certifications: CTDOH,NELAC-NY10854,NELAC-NY12058,NJDEP,PADEP	04/05/2019 14:16	04/05/2019 15:35	LLJ
106-93-4	1,2-Dibromoethane	ND		ug/kg dry	2000	4000	1000	EPA 8260C Certifications: CTDOH,NELAC-NY10854,NELAC-NY12058,NJDEP,PADEP	04/05/2019 14:16	04/05/2019 15:35	LLJ
95-50-1	1,2-Dichlorobenzene	ND		ug/kg dry	2000	4000	1000	EPA 8260C Certifications: CTDOH,NELAC-NY10854,NELAC-NY12058,NJDEP,PADEP	04/05/2019 14:16	04/05/2019 15:35	LLJ
107-06-2	1,2-Dichloroethane	ND		ug/kg dry	2000	4000	1000	EPA 8260C Certifications: CTDOH,NELAC-NY10854,NELAC-NY12058,NJDEP,PADEP	04/05/2019 14:16	04/05/2019 15:35	LLJ
78-87-5	1,2-Dichloropropane	ND		ug/kg dry	2000	4000	1000	EPA 8260C Certifications: CTDOH,NELAC-NY10854,NELAC-NY12058,NJDEP,PADEP	04/05/2019 14:16	04/05/2019 15:35	LLJ
108-67-8	1,3,5-Trimethylbenzene	ND		ug/kg dry	2000	4000	1000	EPA 8260C Certifications: CTDOH,NELAC-NY10854,NELAC-NY12058,NJDEP,PADEP	04/05/2019 14:16	04/05/2019 15:35	LLJ
541-73-1	1,3-Dichlorobenzene	ND		ug/kg dry	2000	4000	1000	EPA 8260C Certifications: CTDOH,NELAC-NY10854,NELAC-NY12058,NJDEP,PADEP	04/05/2019 14:16	04/05/2019 15:35	LLJ
106-46-7	1,4-Dichlorobenzene	ND		ug/kg dry	2000	4000	1000	EPA 8260C Certifications: CTDOH,NELAC-NY10854,NELAC-NY12058,NJDEP,PADEP	04/05/2019 14:16	04/05/2019 15:35	LLJ
123-91-1	1,4-Dioxane	ND		ug/kg dry	40000	80000	1000	EPA 8260C Certifications: NELAC-NY10854,NELAC-NY12058,NJDEP,PADEP	04/05/2019 14:16	04/05/2019 15:35	LLJ
78-93-3	2-Butanone	ND		ug/kg dry	2000	4000	1000	EPA 8260C Certifications: CTDOH,NELAC-NY10854,NELAC-NY12058,NJDEP,PADEP	04/05/2019 14:16	04/05/2019 15:35	LLJ
591-78-6	2-Hexanone	ND		ug/kg dry	2000	4000	1000	EPA 8260C Certifications: CTDOH,NELAC-NY10854,NELAC-NY12058,NJDEP,PADEP	04/05/2019 14:16	04/05/2019 15:35	LLJ
108-10-1	4-Methyl-2-pentanone	ND		ug/kg dry	2000	4000	1000	EPA 8260C Certifications: CTDOH,NELAC-NY10854,NELAC-NY12058,NJDEP,PADEP	04/05/2019 14:16	04/05/2019 15:35	LLJ



### Sample Information

**Client Sample ID:** PD1-SB-103 (7.5-8.5') Grab

**York Sample ID:** 19C1272-07

York Project (SDG) No.

Client Project ID

Matrix

Collection Date/Time

Date Received

19C1272

1602600 Former Safety Kleen

Soil

March 28, 2019 11:20 am

03/29/2019

**Volatile Organics, 8260 - Comprehensive**

**Log-in Notes:**

**Sample Notes:**

Sample Prepared by Method: EPA 5035A

CAS No.	Parameter	Result	Flag	Units	Reported to LOD/MDL	LOQ	Dilution	Reference Method	Date/Time Prepared	Date/Time Analyzed	Analyst
67-64-1	Acetone	ND		ug/kg dry	4000	8000	1000	EPA 8260C Certifications: CTDOH,NELAC-NY10854,NELAC-NY12058,NJDEP,PADEP	04/05/2019 14:16	04/05/2019 15:35	LLJ
107-02-8	Acrolein	ND		ug/kg dry	4000	8000	1000	EPA 8260C Certifications: CTDOH,NELAC-NY10854,NELAC-NY12058,NJDEP,PADEP	04/05/2019 14:16	04/05/2019 15:35	LLJ
107-13-1	Acrylonitrile	ND		ug/kg dry	2000	4000	1000	EPA 8260C Certifications: CTDOH,NELAC-NY10854,NELAC-NY12058,NJDEP,PADEP	04/05/2019 14:16	04/05/2019 15:35	LLJ
71-43-2	Benzene	ND		ug/kg dry	2000	4000	1000	EPA 8260C Certifications: CTDOH,NELAC-NY10854,NELAC-NY12058,NJDEP,PADEP	04/05/2019 14:16	04/05/2019 15:35	LLJ
74-97-5	Bromochloromethane	ND		ug/kg dry	2000	4000	1000	EPA 8260C Certifications: NELAC-NY10854,NELAC-NY12058,NJDEP,PADEP	04/05/2019 14:16	04/05/2019 15:35	LLJ
75-27-4	Bromodichloromethane	ND		ug/kg dry	2000	4000	1000	EPA 8260C Certifications: CTDOH,NELAC-NY10854,NELAC-NY12058,NJDEP,PADEP	04/05/2019 14:16	04/05/2019 15:35	LLJ
75-25-2	Bromoform	ND		ug/kg dry	2000	4000	1000	EPA 8260C Certifications: CTDOH,NELAC-NY10854,NELAC-NY12058,NJDEP,PADEP	04/05/2019 14:16	04/05/2019 15:35	LLJ
74-83-9	Bromomethane	ND		ug/kg dry	2000	4000	1000	EPA 8260C Certifications: CTDOH,NELAC-NY10854,NELAC-NY12058,NJDEP,PADEP	04/05/2019 14:16	04/05/2019 15:35	LLJ
75-15-0	Carbon disulfide	ND		ug/kg dry	2000	4000	1000	EPA 8260C Certifications: CTDOH,NELAC-NY10854,NELAC-NY12058,NJDEP,PADEP	04/05/2019 14:16	04/05/2019 15:35	LLJ
56-23-5	Carbon tetrachloride	ND		ug/kg dry	2000	4000	1000	EPA 8260C Certifications: CTDOH,NELAC-NY10854,NELAC-NY12058,NJDEP,PADEP	04/05/2019 14:16	04/05/2019 15:35	LLJ
108-90-7	Chlorobenzene	ND		ug/kg dry	2000	4000	1000	EPA 8260C Certifications: CTDOH,NELAC-NY10854,NELAC-NY12058,NJDEP,PADEP	04/05/2019 14:16	04/05/2019 15:35	LLJ
75-00-3	Chloroethane	ND		ug/kg dry	2000	4000	1000	EPA 8260C Certifications: CTDOH,NELAC-NY10854,NELAC-NY12058,NJDEP,PADEP	04/05/2019 14:16	04/05/2019 15:35	LLJ
67-66-3	Chloroform	ND		ug/kg dry	2000	4000	1000	EPA 8260C Certifications: CTDOH,NELAC-NY10854,NELAC-NY12058,NJDEP,PADEP	04/05/2019 14:16	04/05/2019 15:35	LLJ
74-87-3	Chloromethane	ND		ug/kg dry	2000	4000	1000	EPA 8260C Certifications: CTDOH,NELAC-NY10854,NELAC-NY12058,NJDEP,PADEP	04/05/2019 14:16	04/05/2019 15:35	LLJ
156-59-2	cis-1,2-Dichloroethylene	ND		ug/kg dry	2000	4000	1000	EPA 8260C Certifications: CTDOH,NELAC-NY10854,NELAC-NY12058,NJDEP,PADEP	04/05/2019 14:16	04/05/2019 15:35	LLJ
10061-01-5	cis-1,3-Dichloropropylene	ND		ug/kg dry	2000	4000	1000	EPA 8260C Certifications: CTDOH,NELAC-NY10854,NELAC-NY12058,NJDEP,PADEP	04/05/2019 14:16	04/05/2019 15:35	LLJ
110-82-7	Cyclohexane	ND		ug/kg dry	2000	4000	1000	EPA 8260C Certifications: NELAC-NY10854,NELAC-NY12058,NJDEP,PADEP	04/05/2019 14:16	04/05/2019 15:35	LLJ
124-48-1	Dibromochloromethane	ND		ug/kg dry	2000	4000	1000	EPA 8260C Certifications: NELAC-NY10854,NELAC-NY12058,NJDEP,PADEP	04/05/2019 14:16	04/05/2019 15:35	LLJ
74-95-3	Dibromomethane	ND		ug/kg dry	2000	4000	1000	EPA 8260C Certifications: NELAC-NY10854,NELAC-NY12058,NJDEP,PADEP	04/05/2019 14:16	04/05/2019 15:35	LLJ
75-71-8	Dichlorodifluoromethane	ND		ug/kg dry	2000	4000	1000	EPA 8260C Certifications: NELAC-NY10854,NELAC-NY12058,NJDEP,PADEP	04/05/2019 14:16	04/05/2019 15:35	LLJ
100-41-4	Ethyl Benzene	ND		ug/kg dry	2000	4000	1000	EPA 8260C Certifications: CTDOH,NELAC-NY10854,NELAC-NY12058,NJDEP,PADEP	04/05/2019 14:16	04/05/2019 15:35	LLJ
87-68-3	Hexachlorobutadiene	ND		ug/kg dry	2000	4000	1000	EPA 8260C Certifications: NELAC-NY10854,NELAC-NY12058,NJDEP,PADEP	04/05/2019 14:16	04/05/2019 15:35	LLJ
98-82-8	Isopropylbenzene	ND		ug/kg dry	2000	4000	1000	EPA 8260C Certifications: CTDOH,NELAC-NY10854,NELAC-NY12058,NJDEP,PADEP	04/05/2019 14:16	04/05/2019 15:35	LLJ



### Sample Information

**Client Sample ID:** PD1-SB-103 (7.5-8.5') Grab

**York Sample ID:** 19C1272-07

York Project (SDG) No.

Client Project ID

Matrix

Collection Date/Time

Date Received

19C1272

1602600 Former Safety Kleen

Soil

March 28, 2019 11:20 am

03/29/2019

**Volatile Organics, 8260 - Comprehensive**

**Log-in Notes:**

**Sample Notes:**

Sample Prepared by Method: EPA 5035A

CAS No.	Parameter	Result	Flag	Units	Reported to LOD/MDL	LOQ	Dilution	Reference Method	Date/Time Prepared	Date/Time Analyzed	Analyst
79-20-9	Methyl acetate	ND		ug/kg dry	2000	4000	1000	EPA 8260C Certifications: NELAC-NY10854,NELAC-NY12058,NJDEP,PADEP	04/05/2019 14:16	04/05/2019 15:35	LLJ
1634-04-4	Methyl tert-butyl ether (MTBE)	ND		ug/kg dry	2000	4000	1000	EPA 8260C Certifications: CTDOH,NELAC-NY10854,NELAC-NY12058,NJDEP,PADEP	04/05/2019 14:16	04/05/2019 15:35	LLJ
108-87-2	Methylcyclohexane	ND		ug/kg dry	2000	4000	1000	EPA 8260C Certifications: NELAC-NY10854,NELAC-NY12058,NJDEP,PADEP	04/05/2019 14:16	04/05/2019 15:35	LLJ
75-09-2	Methylene chloride	ND		ug/kg dry	4000	8000	1000	EPA 8260C Certifications: CTDOH,NELAC-NY10854,NELAC-NY12058,NJDEP,PADEP	04/05/2019 14:16	04/05/2019 15:35	LLJ
104-51-8	n-Butylbenzene	ND		ug/kg dry	2000	4000	1000	EPA 8260C Certifications: CTDOH,NELAC-NY10854,NELAC-NY12058,NJDEP,PADEP	04/05/2019 14:16	04/05/2019 15:35	LLJ
103-65-1	n-Propylbenzene	ND		ug/kg dry	2000	4000	1000	EPA 8260C Certifications: CTDOH,NELAC-NY10854,NELAC-NY12058,NJDEP,PADEP	04/05/2019 14:16	04/05/2019 15:35	LLJ
95-47-6	o-Xylene	ND		ug/kg dry	2000	4000	1000	EPA 8260C Certifications: CTDOH,NELAC-NY10854,NELAC-NY12058,PADEP	04/05/2019 14:16	04/05/2019 15:35	LLJ
179601-23-1	p- & m- Xylenes	ND		ug/kg dry	4000	8000	1000	EPA 8260C Certifications: CTDOH,NELAC-NY10854,NELAC-NY12058,PADEP	04/05/2019 14:16	04/05/2019 15:35	LLJ
99-87-6	p-Isopropyltoluene	ND		ug/kg dry	2000	4000	1000	EPA 8260C Certifications: CTDOH,NELAC-NY10854,NELAC-NY12058,NJDEP,PADEP	04/05/2019 14:16	04/05/2019 15:35	LLJ
135-98-8	sec-Butylbenzene	ND		ug/kg dry	2000	4000	1000	EPA 8260C Certifications: CTDOH,NELAC-NY10854,NELAC-NY12058,NJDEP,PADEP	04/05/2019 14:16	04/05/2019 15:35	LLJ
100-42-5	Styrene	ND		ug/kg dry	2000	4000	1000	EPA 8260C Certifications: CTDOH,NELAC-NY10854,NELAC-NY12058,NJDEP,PADEP	04/05/2019 14:16	04/05/2019 15:35	LLJ
75-65-0	tert-Butyl alcohol (TBA)	ND		ug/kg dry	2000	4000	1000	EPA 8260C Certifications: NELAC-NY10854,NELAC-NY12058,NJDEP,PADEP	04/05/2019 14:16	04/05/2019 15:35	LLJ
98-06-6	tert-Butylbenzene	ND		ug/kg dry	2000	4000	1000	EPA 8260C Certifications: CTDOH,NELAC-NY10854,NELAC-NY12058,NJDEP,PADEP	04/05/2019 14:16	04/05/2019 15:35	LLJ
127-18-4	<b>Tetrachloroethylene</b>	<b>270000</b>	VOA-E, E	ug/kg dry	2000	4000	1000	EPA 8260C Certifications: CTDOH,NELAC-NY10854,NELAC-NY12058,NJDEP,PADEP	04/05/2019 14:16	04/05/2019 15:35	LLJ
108-88-3	Toluene	ND		ug/kg dry	2000	4000	1000	EPA 8260C Certifications: CTDOH,NELAC-NY10854,NELAC-NY12058,NJDEP,PADEP	04/05/2019 14:16	04/05/2019 15:35	LLJ
156-60-5	trans-1,2-Dichloroethylene	ND		ug/kg dry	2000	4000	1000	EPA 8260C Certifications: CTDOH,NELAC-NY10854,NELAC-NY12058,NJDEP,PADEP	04/05/2019 14:16	04/05/2019 15:35	LLJ
10061-02-6	trans-1,3-Dichloropropylene	ND		ug/kg dry	2000	4000	1000	EPA 8260C Certifications: CTDOH,NELAC-NY10854,NELAC-NY12058,NJDEP,PADEP	04/05/2019 14:16	04/05/2019 15:35	LLJ
110-57-6	* trans-1,4-dichloro-2-butene	ND		ug/kg dry	2000	4000	1000	EPA 8260C Certifications: CTDOH	04/05/2019 14:16	04/05/2019 15:35	LLJ
79-01-6	Trichloroethylene	ND		ug/kg dry	2000	4000	1000	EPA 8260C Certifications: CTDOH,NELAC-NY10854,NELAC-NY12058,NJDEP,PADEP	04/05/2019 14:16	04/05/2019 15:35	LLJ
75-69-4	Trichlorofluoromethane	ND		ug/kg dry	2000	4000	1000	EPA 8260C Certifications: CTDOH,NELAC-NY10854,NELAC-NY12058,NJDEP,PADEP	04/05/2019 14:16	04/05/2019 15:35	LLJ
75-01-4	Vinyl Chloride	ND		ug/kg dry	2000	4000	1000	EPA 8260C Certifications: CTDOH,NELAC-NY10854,NELAC-NY12058,NJDEP,PADEP	04/05/2019 14:16	04/05/2019 15:35	LLJ
1330-20-7	Xylenes, Total	ND		ug/kg dry	6000	12000	1000	EPA 8260C Certifications: CTDOH,NELAC-NY10854,NELAC-NY12058,NJDEP	04/05/2019 14:16	04/05/2019 15:35	LLJ
	<b>Surrogate Recoveries</b>	<b>Result</b>		<b>Acceptance Range</b>							
17060-07-0	Surrogate: SURR: 1,2-Dichloroethane-d4	100 %		77-125							



Sample Information

Client Sample ID: PD1-SB-103 (7.5-8.5') Grab

York Sample ID: 19C1272-07

York Project (SDG) No.

Client Project ID

Matrix

Collection Date/Time

Date Received

19C1272

1602600 Former Safety Kleen

Soil

March 28, 2019 11:20 am

03/29/2019

Volatile Organics, 8260 - Comprehensive

Log-in Notes:

Sample Notes:

Sample Prepared by Method: EPA 5035A

Table with 12 columns: CAS No., Parameter, Result, Flag, Units, Reported to LOD/MDL, LOQ, Dilution, Reference Method, Date/Time Prepared, Date/Time Analyzed, Analyst. Rows include Surrogate: SURRE: Toluene-d8 and Surrogate: SURRE: p-Bromofluorobenzene.

Total Solids

Log-in Notes:

Sample Notes:

Sample Prepared by Method: % Solids Prep

Table with 12 columns: CAS No., Parameter, Result, Flag, Units, Reported to LOQ, Dilution, Reference Method, Date/Time Prepared, Date/Time Analyzed, Analyst. Row shows % Solids result of 90.8.

Sample Information

Client Sample ID: PD1-SB-103 (8.5-9.5') Grab

York Sample ID: 19C1272-08

York Project (SDG) No.

Client Project ID

Matrix

Collection Date/Time

Date Received

19C1272

1602600 Former Safety Kleen

Soil

March 28, 2019 11:24 am

03/29/2019

Volatile Organics, 8260 - Comprehensive

Log-in Notes:

Sample Notes:

Sample Prepared by Method: EPA 5035A

Table with 12 columns: CAS No., Parameter, Result, Flag, Units, Reported to LOD/MDL, LOQ, Dilution, Reference Method, Date/Time Prepared, Date/Time Analyzed, Analyst. Multiple rows for various chlorinated hydrocarbons.





### Sample Information

**Client Sample ID:** PD1-SB-103 (8.5-9.5') Grab

**York Sample ID:** 19C1272-08

York Project (SDG) No.

Client Project ID

Matrix

Collection Date/Time

Date Received

19C1272

1602600 Former Safety Kleen

Soil

March 28, 2019 11:24 am

03/29/2019

**Volatile Organics, 8260 - Comprehensive**

**Log-in Notes:**

**Sample Notes:**

Sample Prepared by Method: EPA 5035A

CAS No.	Parameter	Result	Flag	Units	Reported to LOD/MDL	LOQ	Dilution	Reference Method	Date/Time Prepared	Date/Time Analyzed	Analyst
95-63-6	1,2,4-Trimethylbenzene	ND		ug/kg dry	3900	7900	2000	EPA 8260C Certifications: CTDOH,NELAC-NY10854,NELAC-NY12058,NJDEP,PADEP	04/02/2019 10:08	04/04/2019 11:10	LLJ
96-12-8	1,2-Dibromo-3-chloropropane	ND		ug/kg dry	3900	7900	2000	EPA 8260C Certifications: CTDOH,NELAC-NY10854,NELAC-NY12058,NJDEP,PADEP	04/02/2019 10:08	04/04/2019 11:10	LLJ
106-93-4	1,2-Dibromoethane	ND		ug/kg dry	3900	7900	2000	EPA 8260C Certifications: CTDOH,NELAC-NY10854,NELAC-NY12058,NJDEP,PADEP	04/02/2019 10:08	04/04/2019 11:10	LLJ
95-50-1	1,2-Dichlorobenzene	ND		ug/kg dry	3900	7900	2000	EPA 8260C Certifications: CTDOH,NELAC-NY10854,NELAC-NY12058,NJDEP,PADEP	04/02/2019 10:08	04/04/2019 11:10	LLJ
107-06-2	1,2-Dichloroethane	ND		ug/kg dry	3900	7900	2000	EPA 8260C Certifications: CTDOH,NELAC-NY10854,NELAC-NY12058,NJDEP,PADEP	04/02/2019 10:08	04/04/2019 11:10	LLJ
78-87-5	1,2-Dichloropropane	ND		ug/kg dry	3900	7900	2000	EPA 8260C Certifications: CTDOH,NELAC-NY10854,NELAC-NY12058,NJDEP,PADEP	04/02/2019 10:08	04/04/2019 11:10	LLJ
108-67-8	1,3,5-Trimethylbenzene	ND		ug/kg dry	3900	7900	2000	EPA 8260C Certifications: CTDOH,NELAC-NY10854,NELAC-NY12058,NJDEP,PADEP	04/02/2019 10:08	04/04/2019 11:10	LLJ
541-73-1	1,3-Dichlorobenzene	ND		ug/kg dry	3900	7900	2000	EPA 8260C Certifications: CTDOH,NELAC-NY10854,NELAC-NY12058,NJDEP,PADEP	04/02/2019 10:08	04/04/2019 11:10	LLJ
106-46-7	1,4-Dichlorobenzene	ND		ug/kg dry	3900	7900	2000	EPA 8260C Certifications: CTDOH,NELAC-NY10854,NELAC-NY12058,NJDEP,PADEP	04/02/2019 10:08	04/04/2019 11:10	LLJ
123-91-1	1,4-Dioxane	ND		ug/kg dry	79000	160000	2000	EPA 8260C Certifications: NELAC-NY10854,NELAC-NY12058,NJDEP,PADEP	04/02/2019 10:08	04/04/2019 11:10	LLJ
78-93-3	2-Butanone	ND		ug/kg dry	3900	7900	2000	EPA 8260C Certifications: CTDOH,NELAC-NY10854,NELAC-NY12058,NJDEP,PADEP	04/02/2019 10:08	04/04/2019 11:10	LLJ
591-78-6	2-Hexanone	ND		ug/kg dry	3900	7900	2000	EPA 8260C Certifications: CTDOH,NELAC-NY10854,NELAC-NY12058,NJDEP,PADEP	04/02/2019 10:08	04/04/2019 11:10	LLJ
108-10-1	4-Methyl-2-pentanone	ND		ug/kg dry	3900	7900	2000	EPA 8260C Certifications: CTDOH,NELAC-NY10854,NELAC-NY12058,NJDEP,PADEP	04/02/2019 10:08	04/04/2019 11:10	LLJ
67-64-1	Acetone	ND		ug/kg dry	7900	16000	2000	EPA 8260C Certifications: CTDOH,NELAC-NY10854,NELAC-NY12058,NJDEP,PADEP	04/02/2019 10:08	04/04/2019 11:10	LLJ
107-02-8	Acrolein	ND		ug/kg dry	7900	16000	2000	EPA 8260C Certifications: CTDOH,NELAC-NY10854,NELAC-NY12058,NJDEP,PADEP	04/02/2019 10:08	04/04/2019 11:10	LLJ
107-13-1	Acrylonitrile	ND		ug/kg dry	3900	7900	2000	EPA 8260C Certifications: CTDOH,NELAC-NY10854,NELAC-NY12058,NJDEP,PADEP	04/02/2019 10:08	04/04/2019 11:10	LLJ
71-43-2	Benzene	ND		ug/kg dry	3900	7900	2000	EPA 8260C Certifications: CTDOH,NELAC-NY10854,NELAC-NY12058,NJDEP,PADEP	04/02/2019 10:08	04/04/2019 11:10	LLJ
74-97-5	Bromochloromethane	ND		ug/kg dry	3900	7900	2000	EPA 8260C Certifications: NELAC-NY10854,NELAC-NY12058,NJDEP,PADEP	04/02/2019 10:08	04/04/2019 11:10	LLJ
75-27-4	Bromodichloromethane	ND		ug/kg dry	3900	7900	2000	EPA 8260C Certifications: CTDOH,NELAC-NY10854,NELAC-NY12058,NJDEP,PADEP	04/02/2019 10:08	04/04/2019 11:10	LLJ
75-25-2	Bromoform	ND		ug/kg dry	3900	7900	2000	EPA 8260C Certifications: CTDOH,NELAC-NY10854,NELAC-NY12058,NJDEP,PADEP	04/02/2019 10:08	04/04/2019 11:10	LLJ
74-83-9	Bromomethane	ND		ug/kg dry	3900	7900	2000	EPA 8260C Certifications: CTDOH,NELAC-NY10854,NELAC-NY12058,NJDEP,PADEP	04/02/2019 10:08	04/04/2019 11:10	LLJ
75-15-0	Carbon disulfide	ND		ug/kg dry	3900	7900	2000	EPA 8260C Certifications: CTDOH,NELAC-NY10854,NELAC-NY12058,NJDEP,PADEP	04/02/2019 10:08	04/04/2019 11:10	LLJ
56-23-5	Carbon tetrachloride	ND		ug/kg dry	3900	7900	2000	EPA 8260C Certifications: CTDOH,NELAC-NY10854,NELAC-NY12058,NJDEP,PADEP	04/02/2019 10:08	04/04/2019 11:10	LLJ



### Sample Information

**Client Sample ID:** PD1-SB-103 (8.5-9.5') Grab

**York Sample ID:** 19C1272-08

York Project (SDG) No.

Client Project ID

Matrix

Collection Date/Time

Date Received

19C1272

1602600 Former Safety Kleen

Soil

March 28, 2019 11:24 am

03/29/2019

**Volatile Organics, 8260 - Comprehensive**

**Log-in Notes:**

**Sample Notes:**

Sample Prepared by Method: EPA 5035A

CAS No.	Parameter	Result	Flag	Units	Reported to LOD/MDL	LOQ	Dilution	Reference Method	Date/Time Prepared	Date/Time Analyzed	Analyst
108-90-7	Chlorobenzene	ND		ug/kg dry	3900	7900	2000	EPA 8260C Certifications: CTDOH,NELAC-NY10854,NELAC-NY12058,NJDEP,PADEP	04/02/2019 10:08	04/04/2019 11:10	LLJ
75-00-3	Chloroethane	ND		ug/kg dry	3900	7900	2000	EPA 8260C Certifications: CTDOH,NELAC-NY10854,NELAC-NY12058,NJDEP,PADEP	04/02/2019 10:08	04/04/2019 11:10	LLJ
67-66-3	Chloroform	ND		ug/kg dry	3900	7900	2000	EPA 8260C Certifications: CTDOH,NELAC-NY10854,NELAC-NY12058,NJDEP,PADEP	04/02/2019 10:08	04/04/2019 11:10	LLJ
74-87-3	Chloromethane	ND		ug/kg dry	3900	7900	2000	EPA 8260C Certifications: CTDOH,NELAC-NY10854,NELAC-NY12058,NJDEP,PADEP	04/02/2019 10:08	04/04/2019 11:10	LLJ
156-59-2	cis-1,2-Dichloroethylene	ND		ug/kg dry	3900	7900	2000	EPA 8260C Certifications: CTDOH,NELAC-NY10854,NELAC-NY12058,NJDEP,PADEP	04/02/2019 10:08	04/04/2019 11:10	LLJ
10061-01-5	cis-1,3-Dichloropropylene	ND		ug/kg dry	3900	7900	2000	EPA 8260C Certifications: CTDOH,NELAC-NY10854,NELAC-NY12058,NJDEP,PADEP	04/02/2019 10:08	04/04/2019 11:10	LLJ
110-82-7	Cyclohexane	ND		ug/kg dry	3900	7900	2000	EPA 8260C Certifications: NELAC-NY10854,NELAC-NY12058,NJDEP,PADEP	04/02/2019 10:08	04/04/2019 11:10	LLJ
124-48-1	Dibromochloromethane	ND		ug/kg dry	3900	7900	2000	EPA 8260C Certifications: NELAC-NY10854,NELAC-NY12058,NJDEP,PADEP	04/02/2019 10:08	04/04/2019 11:10	LLJ
74-95-3	Dibromomethane	ND		ug/kg dry	3900	7900	2000	EPA 8260C Certifications: NELAC-NY10854,NELAC-NY12058,NJDEP,PADEP	04/02/2019 10:08	04/04/2019 11:10	LLJ
75-71-8	Dichlorodifluoromethane	ND		ug/kg dry	3900	7900	2000	EPA 8260C Certifications: NELAC-NY10854,NELAC-NY12058,NJDEP,PADEP	04/02/2019 10:08	04/04/2019 11:10	LLJ
100-41-4	Ethyl Benzene	ND		ug/kg dry	3900	7900	2000	EPA 8260C Certifications: CTDOH,NELAC-NY10854,NELAC-NY12058,NJDEP,PADEP	04/02/2019 10:08	04/04/2019 11:10	LLJ
87-68-3	Hexachlorobutadiene	ND		ug/kg dry	3900	7900	2000	EPA 8260C Certifications: NELAC-NY10854,NELAC-NY12058,NJDEP,PADEP	04/02/2019 10:08	04/04/2019 11:10	LLJ
98-82-8	Isopropylbenzene	ND		ug/kg dry	3900	7900	2000	EPA 8260C Certifications: CTDOH,NELAC-NY10854,NELAC-NY12058,NJDEP,PADEP	04/02/2019 10:08	04/04/2019 11:10	LLJ
79-20-9	Methyl acetate	ND		ug/kg dry	3900	7900	2000	EPA 8260C Certifications: NELAC-NY10854,NELAC-NY12058,NJDEP,PADEP	04/02/2019 10:08	04/04/2019 11:10	LLJ
1634-04-4	Methyl tert-butyl ether (MTBE)	ND		ug/kg dry	3900	7900	2000	EPA 8260C Certifications: CTDOH,NELAC-NY10854,NELAC-NY12058,NJDEP,PADEP	04/02/2019 10:08	04/04/2019 11:10	LLJ
108-87-2	Methylcyclohexane	ND		ug/kg dry	3900	7900	2000	EPA 8260C Certifications: NELAC-NY10854,NELAC-NY12058,NJDEP,PADEP	04/02/2019 10:08	04/04/2019 11:10	LLJ
75-09-2	Methylene chloride	ND		ug/kg dry	7900	16000	2000	EPA 8260C Certifications: CTDOH,NELAC-NY10854,NELAC-NY12058,NJDEP,PADEP	04/02/2019 10:08	04/04/2019 11:10	LLJ
104-51-8	n-Butylbenzene	ND		ug/kg dry	3900	7900	2000	EPA 8260C Certifications: CTDOH,NELAC-NY10854,NELAC-NY12058,NJDEP,PADEP	04/02/2019 10:08	04/04/2019 11:10	LLJ
103-65-1	n-Propylbenzene	ND		ug/kg dry	3900	7900	2000	EPA 8260C Certifications: CTDOH,NELAC-NY10854,NELAC-NY12058,NJDEP,PADEP	04/02/2019 10:08	04/04/2019 11:10	LLJ
95-47-6	o-Xylene	ND		ug/kg dry	3900	7900	2000	EPA 8260C Certifications: CTDOH,NELAC-NY10854,NELAC-NY12058,NJDEP,PADEP	04/02/2019 10:08	04/04/2019 11:10	LLJ
179601-23-1	p- & m- Xylenes	ND		ug/kg dry	7900	16000	2000	EPA 8260C Certifications: CTDOH,NELAC-NY10854,NELAC-NY12058,NJDEP,PADEP	04/02/2019 10:08	04/04/2019 11:10	LLJ
99-87-6	p-Isopropyltoluene	ND		ug/kg dry	3900	7900	2000	EPA 8260C Certifications: CTDOH,NELAC-NY10854,NELAC-NY12058,NJDEP,PADEP	04/02/2019 10:08	04/04/2019 11:10	LLJ
135-98-8	sec-Butylbenzene	ND		ug/kg dry	3900	7900	2000	EPA 8260C Certifications: CTDOH,NELAC-NY10854,NELAC-NY12058,NJDEP,PADEP	04/02/2019 10:08	04/04/2019 11:10	LLJ



### Sample Information

**Client Sample ID:** PD1-SB-103 (8.5-9.5') Grab

**York Sample ID:** 19C1272-08

<u>York Project (SDG) No.</u> 19C1272	<u>Client Project ID</u> 1602600 Former Safety Kleen	<u>Matrix</u> Soil	<u>Collection Date/Time</u> March 28, 2019 11:24 am	<u>Date Received</u> 03/29/2019
--	---	-----------------------	--	------------------------------------

**Volatile Organics, 8260 - Comprehensive**

**Log-in Notes:**

**Sample Notes:**

Sample Prepared by Method: EPA 5035A

CAS No.	Parameter	Result	Flag	Units	Reported to LOD/MDL	LOQ	Dilution	Reference Method	Date/Time Prepared	Date/Time Analyzed	Analyst
100-42-5	Styrene	ND		ug/kg dry	3900	7900	2000	EPA 8260C Certifications: CTDOH,NELAC-NY10854,NELAC-NY12058,NJDEP,PADEP	04/02/2019 10:08	04/04/2019 11:10	LLJ
75-65-0	tert-Butyl alcohol (TBA)	ND		ug/kg dry	3900	7900	2000	EPA 8260C Certifications: NELAC-NY10854,NELAC-NY12058,NJDEP,PADEP	04/02/2019 10:08	04/04/2019 11:10	LLJ
98-06-6	tert-Butylbenzene	ND		ug/kg dry	3900	7900	2000	EPA 8260C Certifications: CTDOH,NELAC-NY10854,NELAC-NY12058,NJDEP,PADEP	04/02/2019 10:08	04/04/2019 11:10	LLJ
127-18-4	<b>Tetrachloroethylene</b>	<b>160000</b>	CCV-E, QL-02	ug/kg dry	3900	7900	2000	EPA 8260C Certifications: CTDOH,NELAC-NY10854,NELAC-NY12058,NJDEP,PADEP	04/02/2019 10:08	04/04/2019 11:10	LLJ
108-88-3	Toluene	ND		ug/kg dry	3900	7900	2000	EPA 8260C Certifications: CTDOH,NELAC-NY10854,NELAC-NY12058,NJDEP,PADEP	04/02/2019 10:08	04/04/2019 11:10	LLJ
156-60-5	trans-1,2-Dichloroethylene	ND		ug/kg dry	3900	7900	2000	EPA 8260C Certifications: CTDOH,NELAC-NY10854,NELAC-NY12058,NJDEP,PADEP	04/02/2019 10:08	04/04/2019 11:10	LLJ
10061-02-6	trans-1,3-Dichloropropylene	ND		ug/kg dry	3900	7900	2000	EPA 8260C Certifications: CTDOH,NELAC-NY10854,NELAC-NY12058,NJDEP,PADEP	04/02/2019 10:08	04/04/2019 11:10	LLJ
110-57-6	* trans-1,4-dichloro-2-butene	ND		ug/kg dry	3900	7900	2000	EPA 8260C Certifications: CTDOH	04/02/2019 10:08	04/04/2019 11:10	LLJ
79-01-6	Trichloroethylene	ND		ug/kg dry	3900	7900	2000	EPA 8260C Certifications: CTDOH,NELAC-NY10854,NELAC-NY12058,NJDEP,PADEP	04/02/2019 10:08	04/04/2019 11:10	LLJ
75-69-4	Trichlorofluoromethane	ND		ug/kg dry	3900	7900	2000	EPA 8260C Certifications: CTDOH,NELAC-NY10854,NELAC-NY12058,NJDEP,PADEP	04/02/2019 10:08	04/04/2019 11:10	LLJ
75-01-4	Vinyl Chloride	ND		ug/kg dry	3900	7900	2000	EPA 8260C Certifications: CTDOH,NELAC-NY10854,NELAC-NY12058,NJDEP,PADEP	04/02/2019 10:08	04/04/2019 11:10	LLJ
1330-20-7	Xylenes, Total	ND		ug/kg dry	12000	24000	2000	EPA 8260C Certifications: CTDOH,NELAC-NY10854,NELAC-NY12058,NJDEP	04/02/2019 10:08	04/04/2019 11:10	LLJ
<b>Surrogate Recoveries</b>		<b>Result</b>	<b>Acceptance Range</b>								
17060-07-0	Surrogate: SURR: 1,2-Dichloroethane-d4	101 %	77-125								
2037-26-5	Surrogate: SURR: Toluene-d8	95.2 %	85-120								
460-00-4	Surrogate: SURR: p-Bromofluorobenzene	98.0 %	76-130								

**Total Solids**

**Log-in Notes:**

**Sample Notes:**

Sample Prepared by Method: % Solids Prep

CAS No.	Parameter	Result	Flag	Units	Reported to LOQ	Dilution	Reference Method	Date/Time Prepared	Date/Time Analyzed	Analyst
solids	* % Solids	90.5		%	0.100	1	SM 2540G Certifications: CTDOH	04/04/2019 11:00	04/05/2019 12:58	AS

### Sample Information

**Client Sample ID:** PD1-SB-103 (9.5-12') Grab

**York Sample ID:** 19C1272-09

<u>York Project (SDG) No.</u> 19C1272	<u>Client Project ID</u> 1602600 Former Safety Kleen	<u>Matrix</u> Soil	<u>Collection Date/Time</u> March 28, 2019 11:30 am	<u>Date Received</u> 03/29/2019
--	---	-----------------------	--	------------------------------------



### Sample Information

**Client Sample ID:** PD1-SB-103 (9.5-12') Grab

**York Sample ID:** 19C1272-09

York Project (SDG) No.

Client Project ID

Matrix

Collection Date/Time

Date Received

19C1272

1602600 Former Safety Kleen

Soil

March 28, 2019 11:30 am

03/29/2019

**Volatile Organics, 8260 - Comprehensive**

**Log-in Notes:**

**Sample Notes:**

Sample Prepared by Method: EPA 5035A

CAS No.	Parameter	Result	Flag	Units	Reported to LOD/MDL	LOQ	Dilution	Reference Method	Date/Time Prepared	Date/Time Analyzed	Analyst
630-20-6	1,1,1,2-Tetrachloroethane	ND		ug/kg dry	2.3	4.6	1	EPA 8260C Certifications: CTDOH,NELAC-NY10854,NELAC-NY12058,NJDEP,PADEP	04/02/2019 10:08	04/02/2019 14:44	LLJ
71-55-6	1,1,1-Trichloroethane	ND		ug/kg dry	2.3	4.6	1	EPA 8260C Certifications: CTDOH,NELAC-NY10854,NELAC-NY12058,NJDEP,PADEP	04/02/2019 10:08	04/02/2019 14:44	LLJ
79-34-5	1,1,2,2-Tetrachloroethane	ND		ug/kg dry	2.3	4.6	1	EPA 8260C Certifications: CTDOH,NELAC-NY10854,NELAC-NY12058,NJDEP,PADEP	04/02/2019 10:08	04/02/2019 14:44	LLJ
76-13-1	1,1,2-Trichloro-1,2,2-trifluoroethane (Freon 113)	ND		ug/kg dry	2.3	4.6	1	EPA 8260C Certifications: CTDOH,NELAC-NY10854,NELAC-NY12058,NJDEP	04/02/2019 10:08	04/02/2019 14:44	LLJ
79-00-5	1,1,2-Trichloroethane	ND		ug/kg dry	2.3	4.6	1	EPA 8260C Certifications: CTDOH,NELAC-NY10854,NELAC-NY12058,NJDEP,PADEP	04/02/2019 10:08	04/02/2019 14:44	LLJ
75-34-3	1,1-Dichloroethane	ND		ug/kg dry	2.3	4.6	1	EPA 8260C Certifications: CTDOH,NELAC-NY10854,NELAC-NY12058,NJDEP,PADEP	04/02/2019 10:08	04/02/2019 14:44	LLJ
75-35-4	1,1-Dichloroethylene	ND		ug/kg dry	2.3	4.6	1	EPA 8260C Certifications: CTDOH,NELAC-NY10854,NELAC-NY12058,NJDEP,PADEP	04/02/2019 10:08	04/02/2019 14:44	LLJ
87-61-6	1,2,3-Trichlorobenzene	ND		ug/kg dry	2.3	4.6	1	EPA 8260C Certifications: NELAC-NY10854,NELAC-NY12058,NJDEP,PADEP	04/02/2019 10:08	04/02/2019 14:44	LLJ
96-18-4	1,2,3-Trichloropropane	ND		ug/kg dry	2.3	4.6	1	EPA 8260C Certifications: NELAC-NY10854,NELAC-NY12058,NJDEP	04/02/2019 10:08	04/02/2019 14:44	LLJ
120-82-1	1,2,4-Trichlorobenzene	ND		ug/kg dry	2.3	4.6	1	EPA 8260C Certifications: NELAC-NY10854,NELAC-NY12058,NJDEP,PADEP	04/02/2019 10:08	04/02/2019 14:44	LLJ
95-63-6	1,2,4-Trimethylbenzene	ND		ug/kg dry	2.3	4.6	1	EPA 8260C Certifications: CTDOH,NELAC-NY10854,NELAC-NY12058,NJDEP,PADEP	04/02/2019 10:08	04/02/2019 14:44	LLJ
96-12-8	1,2-Dibromo-3-chloropropane	ND		ug/kg dry	2.3	4.6	1	EPA 8260C Certifications: CTDOH,NELAC-NY10854,NELAC-NY12058,NJDEP,PADEP	04/02/2019 10:08	04/02/2019 14:44	LLJ
106-93-4	1,2-Dibromoethane	ND		ug/kg dry	2.3	4.6	1	EPA 8260C Certifications: CTDOH,NELAC-NY10854,NELAC-NY12058,NJDEP,PADEP	04/02/2019 10:08	04/02/2019 14:44	LLJ
95-50-1	1,2-Dichlorobenzene	ND		ug/kg dry	2.3	4.6	1	EPA 8260C Certifications: CTDOH,NELAC-NY10854,NELAC-NY12058,NJDEP,PADEP	04/02/2019 10:08	04/02/2019 14:44	LLJ
107-06-2	1,2-Dichloroethane	ND		ug/kg dry	2.3	4.6	1	EPA 8260C Certifications: CTDOH,NELAC-NY10854,NELAC-NY12058,NJDEP,PADEP	04/02/2019 10:08	04/02/2019 14:44	LLJ
78-87-5	1,2-Dichloropropane	ND		ug/kg dry	2.3	4.6	1	EPA 8260C Certifications: CTDOH,NELAC-NY10854,NELAC-NY12058,NJDEP,PADEP	04/02/2019 10:08	04/02/2019 14:44	LLJ
108-67-8	1,3,5-Trimethylbenzene	ND		ug/kg dry	2.3	4.6	1	EPA 8260C Certifications: CTDOH,NELAC-NY10854,NELAC-NY12058,NJDEP,PADEP	04/02/2019 10:08	04/02/2019 14:44	LLJ
541-73-1	1,3-Dichlorobenzene	ND		ug/kg dry	2.3	4.6	1	EPA 8260C Certifications: CTDOH,NELAC-NY10854,NELAC-NY12058,NJDEP,PADEP	04/02/2019 10:08	04/02/2019 14:44	LLJ
106-46-7	1,4-Dichlorobenzene	ND		ug/kg dry	2.3	4.6	1	EPA 8260C Certifications: CTDOH,NELAC-NY10854,NELAC-NY12058,NJDEP,PADEP	04/02/2019 10:08	04/02/2019 14:44	LLJ
123-91-1	1,4-Dioxane	ND		ug/kg dry	46	91	1	EPA 8260C Certifications: NELAC-NY10854,NELAC-NY12058,NJDEP,PADEP	04/02/2019 10:08	04/02/2019 14:44	LLJ
78-93-3	2-Butanone	ND		ug/kg dry	2.3	4.6	1	EPA 8260C Certifications: CTDOH,NELAC-NY10854,NELAC-NY12058,NJDEP,PADEP	04/02/2019 10:08	04/02/2019 14:44	LLJ
591-78-6	2-Hexanone	ND		ug/kg dry	2.3	4.6	1	EPA 8260C Certifications: CTDOH,NELAC-NY10854,NELAC-NY12058,NJDEP,PADEP	04/02/2019 10:08	04/02/2019 14:44	LLJ
108-10-1	4-Methyl-2-pentanone	ND		ug/kg dry	2.3	4.6	1	EPA 8260C Certifications: CTDOH,NELAC-NY10854,NELAC-NY12058,NJDEP,PADEP	04/02/2019 10:08	04/02/2019 14:44	LLJ



### Sample Information

**Client Sample ID:** PD1-SB-103 (9.5-12') Grab

**York Sample ID:** 19C1272-09

York Project (SDG) No.

Client Project ID

Matrix

Collection Date/Time

Date Received

19C1272

1602600 Former Safety Kleen

Soil

March 28, 2019 11:30 am

03/29/2019

**Volatile Organics, 8260 - Comprehensive**

**Log-in Notes:**

**Sample Notes:**

Sample Prepared by Method: EPA 5035A

CAS No.	Parameter	Result	Flag	Units	Reported to LOD/MDL	LOQ	Dilution	Reference Method	Date/Time Prepared	Date/Time Analyzed	Analyst
67-64-1	Acetone	ND		ug/kg dry	4.6	9.1	1	EPA 8260C Certifications: CTDOH,NELAC-NY10854,NELAC-NY12058,NJDEP,PADEP	04/02/2019 10:08	04/02/2019 14:44	LLJ
107-02-8	Acrolein	ND		ug/kg dry	4.6	9.1	1	EPA 8260C Certifications: CTDOH,NELAC-NY10854,NELAC-NY12058,NJDEP,PADEP	04/02/2019 10:08	04/02/2019 14:44	LLJ
107-13-1	Acrylonitrile	ND		ug/kg dry	2.3	4.6	1	EPA 8260C Certifications: CTDOH,NELAC-NY10854,NELAC-NY12058,NJDEP,PADEP	04/02/2019 10:08	04/02/2019 14:44	LLJ
71-43-2	Benzene	ND		ug/kg dry	2.3	4.6	1	EPA 8260C Certifications: CTDOH,NELAC-NY10854,NELAC-NY12058,NJDEP,PADEP	04/02/2019 10:08	04/02/2019 14:44	LLJ
74-97-5	Bromochloromethane	ND		ug/kg dry	2.3	4.6	1	EPA 8260C Certifications: NELAC-NY10854,NELAC-NY12058,NJDEP,PADEP	04/02/2019 10:08	04/02/2019 14:44	LLJ
75-27-4	Bromodichloromethane	ND		ug/kg dry	2.3	4.6	1	EPA 8260C Certifications: CTDOH,NELAC-NY10854,NELAC-NY12058,NJDEP,PADEP	04/02/2019 10:08	04/02/2019 14:44	LLJ
75-25-2	Bromoform	ND		ug/kg dry	2.3	4.6	1	EPA 8260C Certifications: CTDOH,NELAC-NY10854,NELAC-NY12058,NJDEP,PADEP	04/02/2019 10:08	04/02/2019 14:44	LLJ
74-83-9	Bromomethane	ND		ug/kg dry	2.3	4.6	1	EPA 8260C Certifications: CTDOH,NELAC-NY10854,NELAC-NY12058,NJDEP,PADEP	04/02/2019 10:08	04/02/2019 14:44	LLJ
75-15-0	Carbon disulfide	ND		ug/kg dry	2.3	4.6	1	EPA 8260C Certifications: CTDOH,NELAC-NY10854,NELAC-NY12058,NJDEP,PADEP	04/02/2019 10:08	04/02/2019 14:44	LLJ
56-23-5	Carbon tetrachloride	ND		ug/kg dry	2.3	4.6	1	EPA 8260C Certifications: CTDOH,NELAC-NY10854,NELAC-NY12058,NJDEP,PADEP	04/02/2019 10:08	04/02/2019 14:44	LLJ
108-90-7	Chlorobenzene	ND		ug/kg dry	2.3	4.6	1	EPA 8260C Certifications: CTDOH,NELAC-NY10854,NELAC-NY12058,NJDEP,PADEP	04/02/2019 10:08	04/02/2019 14:44	LLJ
75-00-3	Chloroethane	ND		ug/kg dry	2.3	4.6	1	EPA 8260C Certifications: CTDOH,NELAC-NY10854,NELAC-NY12058,NJDEP,PADEP	04/02/2019 10:08	04/02/2019 14:44	LLJ
67-66-3	Chloroform	ND		ug/kg dry	2.3	4.6	1	EPA 8260C Certifications: CTDOH,NELAC-NY10854,NELAC-NY12058,NJDEP,PADEP	04/02/2019 10:08	04/02/2019 14:44	LLJ
74-87-3	Chloromethane	ND		ug/kg dry	2.3	4.6	1	EPA 8260C Certifications: CTDOH,NELAC-NY10854,NELAC-NY12058,NJDEP,PADEP	04/02/2019 10:08	04/02/2019 14:44	LLJ
156-59-2	cis-1,2-Dichloroethylene	ND		ug/kg dry	2.3	4.6	1	EPA 8260C Certifications: CTDOH,NELAC-NY10854,NELAC-NY12058,NJDEP,PADEP	04/02/2019 10:08	04/02/2019 14:44	LLJ
10061-01-5	cis-1,3-Dichloropropylene	ND		ug/kg dry	2.3	4.6	1	EPA 8260C Certifications: CTDOH,NELAC-NY10854,NELAC-NY12058,NJDEP,PADEP	04/02/2019 10:08	04/02/2019 14:44	LLJ
110-82-7	Cyclohexane	ND		ug/kg dry	2.3	4.6	1	EPA 8260C Certifications: NELAC-NY10854,NELAC-NY12058,NJDEP,PADEP	04/02/2019 10:08	04/02/2019 14:44	LLJ
124-48-1	Dibromochloromethane	ND		ug/kg dry	2.3	4.6	1	EPA 8260C Certifications: NELAC-NY10854,NELAC-NY12058,NJDEP,PADEP	04/02/2019 10:08	04/02/2019 14:44	LLJ
74-95-3	Dibromomethane	ND		ug/kg dry	2.3	4.6	1	EPA 8260C Certifications: NELAC-NY10854,NELAC-NY12058,NJDEP,PADEP	04/02/2019 10:08	04/02/2019 14:44	LLJ
75-71-8	Dichlorodifluoromethane	ND		ug/kg dry	2.3	4.6	1	EPA 8260C Certifications: NELAC-NY10854,NELAC-NY12058,NJDEP,PADEP	04/02/2019 10:08	04/02/2019 14:44	LLJ
100-41-4	Ethyl Benzene	ND		ug/kg dry	2.3	4.6	1	EPA 8260C Certifications: CTDOH,NELAC-NY10854,NELAC-NY12058,NJDEP,PADEP	04/02/2019 10:08	04/02/2019 14:44	LLJ
87-68-3	Hexachlorobutadiene	ND		ug/kg dry	2.3	4.6	1	EPA 8260C Certifications: NELAC-NY10854,NELAC-NY12058,NJDEP,PADEP	04/02/2019 10:08	04/02/2019 14:44	LLJ
98-82-8	Isopropylbenzene	ND		ug/kg dry	2.3	4.6	1	EPA 8260C Certifications: CTDOH,NELAC-NY10854,NELAC-NY12058,NJDEP,PADEP	04/02/2019 10:08	04/02/2019 14:44	LLJ



### Sample Information

**Client Sample ID:** PD1-SB-103 (9.5-12') Grab

**York Sample ID:** 19C1272-09

York Project (SDG) No.

Client Project ID

Matrix

Collection Date/Time

Date Received

19C1272

1602600 Former Safety Kleen

Soil

March 28, 2019 11:30 am

03/29/2019

**Volatile Organics, 8260 - Comprehensive**

**Log-in Notes:**

**Sample Notes:**

Sample Prepared by Method: EPA 5035A

CAS No.	Parameter	Result	Flag	Units	Reported to LOD/MDL	LOQ	Dilution	Reference Method	Date/Time Prepared	Date/Time Analyzed	Analyst
79-20-9	Methyl acetate	ND		ug/kg dry	2.3	4.6	1	EPA 8260C Certifications: NELAC-NY10854,NELAC-NY12058,NJDEP,PADEP	04/02/2019 10:08	04/02/2019 14:44	LLJ
1634-04-4	Methyl tert-butyl ether (MTBE)	ND		ug/kg dry	2.3	4.6	1	EPA 8260C Certifications: CTDOH,NELAC-NY10854,NELAC-NY12058,NJDEP,PADEP	04/02/2019 10:08	04/02/2019 14:44	LLJ
108-87-2	Methylcyclohexane	ND		ug/kg dry	2.3	4.6	1	EPA 8260C Certifications: NELAC-NY10854,NELAC-NY12058,NJDEP,PADEP	04/02/2019 10:08	04/02/2019 14:44	LLJ
75-09-2	<b>Methylene chloride</b>	<b>13</b>		ug/kg dry	4.6	9.1	1	EPA 8260C Certifications: CTDOH,NELAC-NY10854,NELAC-NY12058,NJDEP,PADEP	04/02/2019 10:08	04/02/2019 14:44	LLJ
104-51-8	n-Butylbenzene	ND		ug/kg dry	2.3	4.6	1	EPA 8260C Certifications: CTDOH,NELAC-NY10854,NELAC-NY12058,NJDEP,PADEP	04/02/2019 10:08	04/02/2019 14:44	LLJ
103-65-1	n-Propylbenzene	ND		ug/kg dry	2.3	4.6	1	EPA 8260C Certifications: CTDOH,NELAC-NY10854,NELAC-NY12058,NJDEP,PADEP	04/02/2019 10:08	04/02/2019 14:44	LLJ
95-47-6	o-Xylene	ND		ug/kg dry	2.3	4.6	1	EPA 8260C Certifications: CTDOH,NELAC-NY10854,NELAC-NY12058,NJDEP,PADEP	04/02/2019 10:08	04/02/2019 14:44	LLJ
179601-23-1	p- & m- Xylenes	ND		ug/kg dry	4.6	9.1	1	EPA 8260C Certifications: CTDOH,NELAC-NY10854,NELAC-NY12058,NJDEP,PADEP	04/02/2019 10:08	04/02/2019 14:44	LLJ
99-87-6	p-Isopropyltoluene	ND		ug/kg dry	2.3	4.6	1	EPA 8260C Certifications: CTDOH,NELAC-NY10854,NELAC-NY12058,NJDEP,PADEP	04/02/2019 10:08	04/02/2019 14:44	LLJ
135-98-8	sec-Butylbenzene	ND		ug/kg dry	2.3	4.6	1	EPA 8260C Certifications: CTDOH,NELAC-NY10854,NELAC-NY12058,NJDEP,PADEP	04/02/2019 10:08	04/02/2019 14:44	LLJ
100-42-5	Styrene	ND		ug/kg dry	2.3	4.6	1	EPA 8260C Certifications: CTDOH,NELAC-NY10854,NELAC-NY12058,NJDEP,PADEP	04/02/2019 10:08	04/02/2019 14:44	LLJ
75-65-0	tert-Butyl alcohol (TBA)	ND		ug/kg dry	2.3	4.6	1	EPA 8260C Certifications: NELAC-NY10854,NELAC-NY12058,NJDEP,PADEP	04/02/2019 10:08	04/02/2019 14:44	LLJ
98-06-6	tert-Butylbenzene	ND		ug/kg dry	2.3	4.6	1	EPA 8260C Certifications: CTDOH,NELAC-NY10854,NELAC-NY12058,NJDEP,PADEP	04/02/2019 10:08	04/02/2019 14:44	LLJ
127-18-4	<b>Tetrachloroethylene</b>	<b>14000</b>	CCV-E, QL-02	ug/kg dry	4600	9100	2000	EPA 8260C Certifications: CTDOH,NELAC-NY10854,NELAC-NY12058,NJDEP,PADEP	04/02/2019 10:08	04/04/2019 12:06	LLJ
108-88-3	Toluene	ND		ug/kg dry	2.3	4.6	1	EPA 8260C Certifications: CTDOH,NELAC-NY10854,NELAC-NY12058,NJDEP,PADEP	04/02/2019 10:08	04/02/2019 14:44	LLJ
156-60-5	trans-1,2-Dichloroethylene	ND		ug/kg dry	2.3	4.6	1	EPA 8260C Certifications: CTDOH,NELAC-NY10854,NELAC-NY12058,NJDEP,PADEP	04/02/2019 10:08	04/02/2019 14:44	LLJ
10061-02-6	trans-1,3-Dichloropropylene	ND		ug/kg dry	2.3	4.6	1	EPA 8260C Certifications: CTDOH,NELAC-NY10854,NELAC-NY12058,NJDEP,PADEP	04/02/2019 10:08	04/02/2019 14:44	LLJ
110-57-6	* trans-1,4-dichloro-2-butene	ND		ug/kg dry	2.3	4.6	1	EPA 8260C Certifications: CTDOH	04/02/2019 10:08	04/02/2019 14:44	LLJ
79-01-6	Trichloroethylene	ND		ug/kg dry	2.3	4.6	1	EPA 8260C Certifications: CTDOH,NELAC-NY10854,NELAC-NY12058,NJDEP,PADEP	04/02/2019 10:08	04/02/2019 14:44	LLJ
75-69-4	<b>Trichlorofluoromethane</b>	<b>3.9</b>	QL-02, J	ug/kg dry	2.3	4.6	1	EPA 8260C Certifications: CTDOH,NELAC-NY10854,NELAC-NY12058,NJDEP,PADEP	04/02/2019 10:08	04/02/2019 14:44	LLJ
75-01-4	Vinyl Chloride	ND		ug/kg dry	2.3	4.6	1	EPA 8260C Certifications: CTDOH,NELAC-NY10854,NELAC-NY12058,NJDEP,PADEP	04/02/2019 10:08	04/02/2019 14:44	LLJ
1330-20-7	Xylenes, Total	ND		ug/kg dry	6.8	14	1	EPA 8260C Certifications: CTDOH,NELAC-NY10854,NELAC-NY12058,NJDEP	04/02/2019 10:08	04/02/2019 14:44	LLJ
	<b>Surrogate Recoveries</b>	<b>Result</b>			<b>Acceptance Range</b>						
17060-07-0	Surrogate: SURR: 1,2-Dichloroethane-d4	118 %			77-125						



### Sample Information

**Client Sample ID:** PD1-SB-103 (9.5-12') Grab

**York Sample ID:** 19C1272-09

York Project (SDG) No.

Client Project ID

Matrix

Collection Date/Time

Date Received

19C1272

1602600 Former Safety Kleen

Soil

March 28, 2019 11:30 am

03/29/2019

**Volatile Organics, 8260 - Comprehensive**

Log-in Notes:

Sample Notes:

Sample Prepared by Method: EPA 5035A

CAS No.	Parameter	Result	Flag	Units	Reported to LOD/MDL	LOQ	Dilution	Reference Method	Date/Time Prepared	Date/Time Analyzed	Analyst
2037-26-5	Surrogate: SURR: Toluene-d8	96.9 %			85-120						
460-00-4	Surrogate: SURR: p-Bromofluorobenzene	110 %			76-130						

**Total Solids**

Log-in Notes:

Sample Notes:

Sample Prepared by Method: % Solids Prep

CAS No.	Parameter	Result	Flag	Units	Reported to LOQ	Dilution	Reference Method	Date/Time Prepared	Date/Time Analyzed	Analyst
solids	* % Solids	91.3		%	0.100	1	SM 2540G Certifications: CTDOH	04/04/2019 11:00	04/05/2019 12:58	AS

### Sample Information

**Client Sample ID:** PD1-SB-102 (0-4') Grab

**York Sample ID:** 19C1272-10

York Project (SDG) No.

Client Project ID

Matrix

Collection Date/Time

Date Received

19C1272

1602600 Former Safety Kleen

Soil

March 28, 2019 12:26 pm

03/29/2019

**Volatile Organics, 8260 - Comprehensive**

Log-in Notes:

Sample Notes:

Sample Prepared by Method: EPA 5035A

CAS No.	Parameter	Result	Flag	Units	Reported to LOD/MDL	LOQ	Dilution	Reference Method	Date/Time Prepared	Date/Time Analyzed	Analyst
630-20-6	1,1,1,2-Tetrachloroethane	ND		ug/kg dry	2.3	4.6	1	EPA 8260C Certifications: CTDOH,NELAC-NY10854,NELAC-NY12058,NJDEP,PADEP	04/02/2019 10:08	04/02/2019 15:10	LLJ
71-55-6	1,1,1-Trichloroethane	ND		ug/kg dry	2.3	4.6	1	EPA 8260C Certifications: CTDOH,NELAC-NY10854,NELAC-NY12058,NJDEP,PADEP	04/02/2019 10:08	04/02/2019 15:10	LLJ
79-34-5	1,1,2,2-Tetrachloroethane	ND		ug/kg dry	2.3	4.6	1	EPA 8260C Certifications: CTDOH,NELAC-NY10854,NELAC-NY12058,NJDEP,PADEP	04/02/2019 10:08	04/02/2019 15:10	LLJ
76-13-1	1,1,2-Trichloro-1,2,2-trifluoroethane (Freon 113)	ND		ug/kg dry	2.3	4.6	1	EPA 8260C Certifications: CTDOH,NELAC-NY10854,NELAC-NY12058,NJDEP	04/02/2019 10:08	04/02/2019 15:10	LLJ
79-00-5	1,1,2-Trichloroethane	ND		ug/kg dry	2.3	4.6	1	EPA 8260C Certifications: CTDOH,NELAC-NY10854,NELAC-NY12058,NJDEP,PADEP	04/02/2019 10:08	04/02/2019 15:10	LLJ
75-34-3	1,1-Dichloroethane	ND		ug/kg dry	2.3	4.6	1	EPA 8260C Certifications: CTDOH,NELAC-NY10854,NELAC-NY12058,NJDEP,PADEP	04/02/2019 10:08	04/02/2019 15:10	LLJ
75-35-4	1,1-Dichloroethylene	ND		ug/kg dry	2.3	4.6	1	EPA 8260C Certifications: CTDOH,NELAC-NY10854,NELAC-NY12058,NJDEP,PADEP	04/02/2019 10:08	04/02/2019 15:10	LLJ
87-61-6	1,2,3-Trichlorobenzene	ND		ug/kg dry	2.3	4.6	1	EPA 8260C Certifications: NELAC-NY10854,NELAC-NY12058,NJDEP,PADEP	04/02/2019 10:08	04/02/2019 15:10	LLJ
96-18-4	1,2,3-Trichloropropane	ND		ug/kg dry	2.3	4.6	1	EPA 8260C Certifications: NELAC-NY10854,NELAC-NY12058,NJDEP	04/02/2019 10:08	04/02/2019 15:10	LLJ
120-82-1	1,2,4-Trichlorobenzene	ND		ug/kg dry	2.3	4.6	1	EPA 8260C Certifications: NELAC-NY10854,NELAC-NY12058,NJDEP,PADEP	04/02/2019 10:08	04/02/2019 15:10	LLJ



### Sample Information

**Client Sample ID:** PD1-SB-102 (0-4') Grab

**York Sample ID:** 19C1272-10

York Project (SDG) No.

Client Project ID

Matrix

Collection Date/Time

Date Received

19C1272

1602600 Former Safety Kleen

Soil

March 28, 2019 12:26 pm

03/29/2019

**Volatile Organics, 8260 - Comprehensive**

**Log-in Notes:**

**Sample Notes:**

Sample Prepared by Method: EPA 5035A

CAS No.	Parameter	Result	Flag	Units	Reported to LOD/MDL	LOQ	Dilution	Reference Method	Date/Time Prepared	Date/Time Analyzed	Analyst
95-63-6	1,2,4-Trimethylbenzene	ND		ug/kg dry	2.3	4.6	1	EPA 8260C Certifications: CTDOH,NELAC-NY10854,NELAC-NY12058,NJDEP,PADEP	04/02/2019 10:08	04/02/2019 15:10	LLJ
96-12-8	1,2-Dibromo-3-chloropropane	ND		ug/kg dry	2.3	4.6	1	EPA 8260C Certifications: CTDOH,NELAC-NY10854,NELAC-NY12058,NJDEP,PADEP	04/02/2019 10:08	04/02/2019 15:10	LLJ
106-93-4	1,2-Dibromoethane	ND		ug/kg dry	2.3	4.6	1	EPA 8260C Certifications: CTDOH,NELAC-NY10854,NELAC-NY12058,NJDEP,PADEP	04/02/2019 10:08	04/02/2019 15:10	LLJ
95-50-1	1,2-Dichlorobenzene	ND		ug/kg dry	2.3	4.6	1	EPA 8260C Certifications: CTDOH,NELAC-NY10854,NELAC-NY12058,NJDEP,PADEP	04/02/2019 10:08	04/02/2019 15:10	LLJ
107-06-2	1,2-Dichloroethane	ND		ug/kg dry	2.3	4.6	1	EPA 8260C Certifications: CTDOH,NELAC-NY10854,NELAC-NY12058,NJDEP,PADEP	04/02/2019 10:08	04/02/2019 15:10	LLJ
78-87-5	1,2-Dichloropropane	ND		ug/kg dry	2.3	4.6	1	EPA 8260C Certifications: CTDOH,NELAC-NY10854,NELAC-NY12058,NJDEP,PADEP	04/02/2019 10:08	04/02/2019 15:10	LLJ
108-67-8	1,3,5-Trimethylbenzene	ND		ug/kg dry	2.3	4.6	1	EPA 8260C Certifications: CTDOH,NELAC-NY10854,NELAC-NY12058,NJDEP,PADEP	04/02/2019 10:08	04/02/2019 15:10	LLJ
541-73-1	1,3-Dichlorobenzene	ND		ug/kg dry	2.3	4.6	1	EPA 8260C Certifications: CTDOH,NELAC-NY10854,NELAC-NY12058,NJDEP,PADEP	04/02/2019 10:08	04/02/2019 15:10	LLJ
106-46-7	1,4-Dichlorobenzene	ND		ug/kg dry	2.3	4.6	1	EPA 8260C Certifications: CTDOH,NELAC-NY10854,NELAC-NY12058,NJDEP,PADEP	04/02/2019 10:08	04/02/2019 15:10	LLJ
123-91-1	1,4-Dioxane	ND		ug/kg dry	46	91	1	EPA 8260C Certifications: NELAC-NY10854,NELAC-NY12058,NJDEP,PADEP	04/02/2019 10:08	04/02/2019 15:10	LLJ
78-93-3	2-Butanone	ND		ug/kg dry	2.3	4.6	1	EPA 8260C Certifications: CTDOH,NELAC-NY10854,NELAC-NY12058,NJDEP,PADEP	04/02/2019 10:08	04/02/2019 15:10	LLJ
591-78-6	2-Hexanone	ND		ug/kg dry	2.3	4.6	1	EPA 8260C Certifications: CTDOH,NELAC-NY10854,NELAC-NY12058,NJDEP,PADEP	04/02/2019 10:08	04/02/2019 15:10	LLJ
108-10-1	4-Methyl-2-pentanone	ND		ug/kg dry	2.3	4.6	1	EPA 8260C Certifications: CTDOH,NELAC-NY10854,NELAC-NY12058,NJDEP,PADEP	04/02/2019 10:08	04/02/2019 15:10	LLJ
67-64-1	<b>Acetone</b>	<b>62</b>		ug/kg dry	4.6	9.1	1	EPA 8260C Certifications: CTDOH,NELAC-NY10854,NELAC-NY12058,NJDEP,PADEP	04/02/2019 10:08	04/02/2019 15:10	LLJ
107-02-8	Acrolein	ND		ug/kg dry	4.6	9.1	1	EPA 8260C Certifications: CTDOH,NELAC-NY10854,NELAC-NY12058,NJDEP,PADEP	04/02/2019 10:08	04/02/2019 15:10	LLJ
107-13-1	Acrylonitrile	ND		ug/kg dry	2.3	4.6	1	EPA 8260C Certifications: CTDOH,NELAC-NY10854,NELAC-NY12058,NJDEP,PADEP	04/02/2019 10:08	04/02/2019 15:10	LLJ
71-43-2	Benzene	ND		ug/kg dry	2.3	4.6	1	EPA 8260C Certifications: CTDOH,NELAC-NY10854,NELAC-NY12058,NJDEP,PADEP	04/02/2019 10:08	04/02/2019 15:10	LLJ
74-97-5	Bromochloromethane	ND		ug/kg dry	2.3	4.6	1	EPA 8260C Certifications: NELAC-NY10854,NELAC-NY12058,NJDEP,PADEP	04/02/2019 10:08	04/02/2019 15:10	LLJ
75-27-4	Bromodichloromethane	ND		ug/kg dry	2.3	4.6	1	EPA 8260C Certifications: CTDOH,NELAC-NY10854,NELAC-NY12058,NJDEP,PADEP	04/02/2019 10:08	04/02/2019 15:10	LLJ
75-25-2	Bromoform	ND		ug/kg dry	2.3	4.6	1	EPA 8260C Certifications: CTDOH,NELAC-NY10854,NELAC-NY12058,NJDEP,PADEP	04/02/2019 10:08	04/02/2019 15:10	LLJ
74-83-9	Bromomethane	ND		ug/kg dry	2.3	4.6	1	EPA 8260C Certifications: CTDOH,NELAC-NY10854,NELAC-NY12058,NJDEP,PADEP	04/02/2019 10:08	04/02/2019 15:10	LLJ
75-15-0	Carbon disulfide	ND		ug/kg dry	2.3	4.6	1	EPA 8260C Certifications: CTDOH,NELAC-NY10854,NELAC-NY12058,NJDEP,PADEP	04/02/2019 10:08	04/02/2019 15:10	LLJ
56-23-5	Carbon tetrachloride	ND		ug/kg dry	2.3	4.6	1	EPA 8260C Certifications: CTDOH,NELAC-NY10854,NELAC-NY12058,NJDEP,PADEP	04/02/2019 10:08	04/02/2019 15:10	LLJ





### Sample Information

**Client Sample ID:** PD1-SB-102 (0-4') Grab

**York Sample ID:** 19C1272-10

York Project (SDG) No.

Client Project ID

Matrix

Collection Date/Time

Date Received

19C1272

1602600 Former Safety Kleen

Soil

March 28, 2019 12:26 pm

03/29/2019

**Volatile Organics, 8260 - Comprehensive**

**Log-in Notes:**

**Sample Notes:**

Sample Prepared by Method: EPA 5035A

CAS No.	Parameter	Result	Flag	Units	Reported to LOD/MDL	LOQ	Dilution	Reference Method	Date/Time Prepared	Date/Time Analyzed	Analyst
108-90-7	Chlorobenzene	ND		ug/kg dry	2.3	4.6	1	EPA 8260C Certifications: CTDOH,NELAC-NY10854,NELAC-NY12058,NJDEP,PADEP	04/02/2019 10:08	04/02/2019 15:10	LLJ
75-00-3	Chloroethane	ND		ug/kg dry	2.3	4.6	1	EPA 8260C Certifications: CTDOH,NELAC-NY10854,NELAC-NY12058,NJDEP,PADEP	04/02/2019 10:08	04/02/2019 15:10	LLJ
67-66-3	Chloroform	ND		ug/kg dry	2.3	4.6	1	EPA 8260C Certifications: CTDOH,NELAC-NY10854,NELAC-NY12058,NJDEP,PADEP	04/02/2019 10:08	04/02/2019 15:10	LLJ
74-87-3	Chloromethane	ND		ug/kg dry	2.3	4.6	1	EPA 8260C Certifications: CTDOH,NELAC-NY10854,NELAC-NY12058,NJDEP,PADEP	04/02/2019 10:08	04/02/2019 15:10	LLJ
156-59-2	cis-1,2-Dichloroethylene	ND		ug/kg dry	2.3	4.6	1	EPA 8260C Certifications: CTDOH,NELAC-NY10854,NELAC-NY12058,NJDEP,PADEP	04/02/2019 10:08	04/02/2019 15:10	LLJ
10061-01-5	cis-1,3-Dichloropropylene	ND		ug/kg dry	2.3	4.6	1	EPA 8260C Certifications: CTDOH,NELAC-NY10854,NELAC-NY12058,NJDEP,PADEP	04/02/2019 10:08	04/02/2019 15:10	LLJ
110-82-7	Cyclohexane	ND		ug/kg dry	2.3	4.6	1	EPA 8260C Certifications: NELAC-NY10854,NELAC-NY12058,NJDEP,PADEP	04/02/2019 10:08	04/02/2019 15:10	LLJ
124-48-1	Dibromochloromethane	ND		ug/kg dry	2.3	4.6	1	EPA 8260C Certifications: NELAC-NY10854,NELAC-NY12058,NJDEP,PADEP	04/02/2019 10:08	04/02/2019 15:10	LLJ
74-95-3	Dibromomethane	ND		ug/kg dry	2.3	4.6	1	EPA 8260C Certifications: NELAC-NY10854,NELAC-NY12058,NJDEP,PADEP	04/02/2019 10:08	04/02/2019 15:10	LLJ
75-71-8	Dichlorodifluoromethane	ND		ug/kg dry	2.3	4.6	1	EPA 8260C Certifications: NELAC-NY10854,NELAC-NY12058,NJDEP,PADEP	04/02/2019 10:08	04/02/2019 15:10	LLJ
100-41-4	Ethyl Benzene	ND		ug/kg dry	2.3	4.6	1	EPA 8260C Certifications: CTDOH,NELAC-NY10854,NELAC-NY12058,NJDEP,PADEP	04/02/2019 10:08	04/02/2019 15:10	LLJ
87-68-3	Hexachlorobutadiene	ND		ug/kg dry	2.3	4.6	1	EPA 8260C Certifications: NELAC-NY10854,NELAC-NY12058,NJDEP,PADEP	04/02/2019 10:08	04/02/2019 15:10	LLJ
98-82-8	Isopropylbenzene	ND		ug/kg dry	2.3	4.6	1	EPA 8260C Certifications: CTDOH,NELAC-NY10854,NELAC-NY12058,NJDEP,PADEP	04/02/2019 10:08	04/02/2019 15:10	LLJ
79-20-9	Methyl acetate	ND		ug/kg dry	2.3	4.6	1	EPA 8260C Certifications: NELAC-NY10854,NELAC-NY12058,NJDEP,PADEP	04/02/2019 10:08	04/02/2019 15:10	LLJ
1634-04-4	Methyl tert-butyl ether (MTBE)	ND		ug/kg dry	2.3	4.6	1	EPA 8260C Certifications: CTDOH,NELAC-NY10854,NELAC-NY12058,NJDEP,PADEP	04/02/2019 10:08	04/02/2019 15:10	LLJ
108-87-2	Methylcyclohexane	ND		ug/kg dry	2.3	4.6	1	EPA 8260C Certifications: NELAC-NY10854,NELAC-NY12058,NJDEP,PADEP	04/02/2019 10:08	04/02/2019 15:10	LLJ
75-09-2	Methylene chloride	ND		ug/kg dry	4.6	9.1	1	EPA 8260C Certifications: CTDOH,NELAC-NY10854,NELAC-NY12058,NJDEP,PADEP	04/02/2019 10:08	04/02/2019 15:10	LLJ
104-51-8	n-Butylbenzene	ND		ug/kg dry	2.3	4.6	1	EPA 8260C Certifications: CTDOH,NELAC-NY10854,NELAC-NY12058,NJDEP,PADEP	04/02/2019 10:08	04/02/2019 15:10	LLJ
103-65-1	n-Propylbenzene	ND		ug/kg dry	2.3	4.6	1	EPA 8260C Certifications: CTDOH,NELAC-NY10854,NELAC-NY12058,NJDEP,PADEP	04/02/2019 10:08	04/02/2019 15:10	LLJ
95-47-6	o-Xylene	ND		ug/kg dry	2.3	4.6	1	EPA 8260C Certifications: CTDOH,NELAC-NY10854,NELAC-NY12058,NJDEP,PADEP	04/02/2019 10:08	04/02/2019 15:10	LLJ
179601-23-1	p- & m- Xylenes	ND		ug/kg dry	4.6	9.1	1	EPA 8260C Certifications: CTDOH,NELAC-NY10854,NELAC-NY12058,NJDEP,PADEP	04/02/2019 10:08	04/02/2019 15:10	LLJ
99-87-6	p-Isopropyltoluene	ND		ug/kg dry	2.3	4.6	1	EPA 8260C Certifications: CTDOH,NELAC-NY10854,NELAC-NY12058,NJDEP,PADEP	04/02/2019 10:08	04/02/2019 15:10	LLJ
135-98-8	sec-Butylbenzene	ND		ug/kg dry	2.3	4.6	1	EPA 8260C Certifications: CTDOH,NELAC-NY10854,NELAC-NY12058,NJDEP,PADEP	04/02/2019 10:08	04/02/2019 15:10	LLJ



### Sample Information

**Client Sample ID:** PD1-SB-102 (0-4') Grab

**York Sample ID:** 19C1272-10

York Project (SDG) No.

Client Project ID

Matrix

Collection Date/Time

Date Received

19C1272

1602600 Former Safety Kleen

Soil

March 28, 2019 12:26 pm

03/29/2019

**Volatile Organics, 8260 - Comprehensive**

**Log-in Notes:**

**Sample Notes:**

Sample Prepared by Method: EPA 5035A

CAS No.	Parameter	Result	Flag	Units	Reported to LOD/MDL	LOQ	Dilution	Reference Method	Date/Time Prepared	Date/Time Analyzed	Analyst
100-42-5	Styrene	ND		ug/kg dry	2.3	4.6	1	EPA 8260C Certifications: CTDOH,NELAC-NY10854,NELAC-NY12058,NJDEP,PADEP	04/02/2019 10:08	04/02/2019 15:10	LLJ
75-65-0	tert-Butyl alcohol (TBA)	ND		ug/kg dry	2.3	4.6	1	EPA 8260C Certifications: NELAC-NY10854,NELAC-NY12058,NJDEP,PADEP	04/02/2019 10:08	04/02/2019 15:10	LLJ
98-06-6	tert-Butylbenzene	ND		ug/kg dry	2.3	4.6	1	EPA 8260C Certifications: CTDOH,NELAC-NY10854,NELAC-NY12058,NJDEP,PADEP	04/02/2019 10:08	04/02/2019 15:10	LLJ
127-18-4	<b>Tetrachloroethylene</b>	<b>1300</b>	CCV-E, QL-02	ug/kg dry	230	460	100	EPA 8260C Certifications: CTDOH,NELAC-NY10854,NELAC-NY12058,NJDEP,PADEP	04/02/2019 10:08	04/04/2019 13:01	LLJ
108-88-3	Toluene	ND		ug/kg dry	2.3	4.6	1	EPA 8260C Certifications: CTDOH,NELAC-NY10854,NELAC-NY12058,NJDEP,PADEP	04/02/2019 10:08	04/02/2019 15:10	LLJ
156-60-5	trans-1,2-Dichloroethylene	ND		ug/kg dry	2.3	4.6	1	EPA 8260C Certifications: CTDOH,NELAC-NY10854,NELAC-NY12058,NJDEP,PADEP	04/02/2019 10:08	04/02/2019 15:10	LLJ
10061-02-6	trans-1,3-Dichloropropylene	ND		ug/kg dry	2.3	4.6	1	EPA 8260C Certifications: CTDOH,NELAC-NY10854,NELAC-NY12058,NJDEP,PADEP	04/02/2019 10:08	04/02/2019 15:10	LLJ
110-57-6	* trans-1,4-dichloro-2-butene	ND		ug/kg dry	2.3	4.6	1	EPA 8260C Certifications: CTDOH	04/02/2019 10:08	04/02/2019 15:10	LLJ
79-01-6	Trichloroethylene	ND		ug/kg dry	2.3	4.6	1	EPA 8260C Certifications: CTDOH,NELAC-NY10854,NELAC-NY12058,NJDEP,PADEP	04/02/2019 10:08	04/02/2019 15:10	LLJ
75-69-4	Trichlorofluoromethane	ND		ug/kg dry	2.3	4.6	1	EPA 8260C Certifications: CTDOH,NELAC-NY10854,NELAC-NY12058,NJDEP,PADEP	04/02/2019 10:08	04/02/2019 15:10	LLJ
75-01-4	Vinyl Chloride	ND		ug/kg dry	2.3	4.6	1	EPA 8260C Certifications: CTDOH,NELAC-NY10854,NELAC-NY12058,NJDEP,PADEP	04/02/2019 10:08	04/02/2019 15:10	LLJ
1330-20-7	Xylenes, Total	ND		ug/kg dry	6.8	14	1	EPA 8260C Certifications: CTDOH,NELAC-NY10854,NELAC-NY12058,NJDEP	04/02/2019 10:08	04/02/2019 15:10	LLJ
<b>Surrogate Recoveries</b>		<b>Result</b>	<b>Acceptance Range</b>								
17060-07-0	Surrogate: SURR: 1,2-Dichloroethane-d4	115 %	77-125								
2037-26-5	Surrogate: SURR: Toluene-d8	98.3 %	85-120								
460-00-4	Surrogate: SURR: p-Bromofluorobenzene	109 %	76-130								

**Total Solids**

**Log-in Notes:**

**Sample Notes:**

Sample Prepared by Method: % Solids Prep

CAS No.	Parameter	Result	Flag	Units	Reported to LOQ	Dilution	Reference Method	Date/Time Prepared	Date/Time Analyzed	Analyst
solids	* % Solids	90.8		%	0.100	1	SM 2540G Certifications: CTDOH	04/04/2019 11:00	04/05/2019 12:58	AS

### Sample Information

**Client Sample ID:** PD1-SB-102 (7.5-8.5') Grab

**York Sample ID:** 19C1272-11

York Project (SDG) No.

Client Project ID

Matrix

Collection Date/Time

Date Received

19C1272

1602600 Former Safety Kleen

Soil

March 28, 2019 12:38 pm

03/29/2019



### Sample Information

**Client Sample ID:** PD1-SB-102 (7.5-8.5') Grab

**York Sample ID:** 19C1272-11

York Project (SDG) No.

Client Project ID

Matrix

Collection Date/Time

Date Received

19C1272

1602600 Former Safety Kleen

Soil

March 28, 2019 12:38 pm

03/29/2019

**Volatile Organics, 8260 - Comprehensive**

**Log-in Notes:**

**Sample Notes:**

Sample Prepared by Method: EPA 5035A

CAS No.	Parameter	Result	Flag	Units	Reported to LOD/MDL	LOQ	Dilution	Reference Method	Date/Time Prepared	Date/Time Analyzed	Analyst
630-20-6	1,1,1,2-Tetrachloroethane	ND		ug/kg dry	2300	4600	1000	EPA 8260C Certifications: CTDOH,NELAC-NY10854,NELAC-NY12058,NJDEP,PADEP	04/02/2019 07:00	04/05/2019 12:50	LLJ
71-55-6	1,1,1-Trichloroethane	ND		ug/kg dry	2300	4600	1000	EPA 8260C Certifications: CTDOH,NELAC-NY10854,NELAC-NY12058,NJDEP,PADEP	04/02/2019 07:00	04/05/2019 12:50	LLJ
79-34-5	1,1,2,2-Tetrachloroethane	ND		ug/kg dry	2300	4600	1000	EPA 8260C Certifications: CTDOH,NELAC-NY10854,NELAC-NY12058,NJDEP,PADEP	04/02/2019 07:00	04/05/2019 12:50	LLJ
76-13-1	1,1,2-Trichloro-1,2,2-trifluoroethane (Freon 113)	ND		ug/kg dry	2300	4600	1000	EPA 8260C Certifications: CTDOH,NELAC-NY10854,NELAC-NY12058,NJDEP	04/02/2019 07:00	04/05/2019 12:50	LLJ
79-00-5	1,1,2-Trichloroethane	ND		ug/kg dry	2300	4600	1000	EPA 8260C Certifications: CTDOH,NELAC-NY10854,NELAC-NY12058,NJDEP,PADEP	04/02/2019 07:00	04/05/2019 12:50	LLJ
75-34-3	1,1-Dichloroethane	ND		ug/kg dry	2300	4600	1000	EPA 8260C Certifications: CTDOH,NELAC-NY10854,NELAC-NY12058,NJDEP,PADEP	04/02/2019 07:00	04/05/2019 12:50	LLJ
75-35-4	1,1-Dichloroethylene	ND		ug/kg dry	2300	4600	1000	EPA 8260C Certifications: CTDOH,NELAC-NY10854,NELAC-NY12058,NJDEP,PADEP	04/02/2019 07:00	04/05/2019 12:50	LLJ
87-61-6	1,2,3-Trichlorobenzene	ND		ug/kg dry	2300	4600	1000	EPA 8260C Certifications: NELAC-NY10854,NELAC-NY12058,NJDEP,PADEP	04/02/2019 07:00	04/05/2019 12:50	LLJ
96-18-4	1,2,3-Trichloropropane	ND		ug/kg dry	2300	4600	1000	EPA 8260C Certifications: NELAC-NY10854,NELAC-NY12058,NJDEP	04/02/2019 07:00	04/05/2019 12:50	LLJ
120-82-1	1,2,4-Trichlorobenzene	ND		ug/kg dry	2300	4600	1000	EPA 8260C Certifications: NELAC-NY10854,NELAC-NY12058,NJDEP,PADEP	04/02/2019 07:00	04/05/2019 12:50	LLJ
95-63-6	1,2,4-Trimethylbenzene	ND		ug/kg dry	2300	4600	1000	EPA 8260C Certifications: CTDOH,NELAC-NY10854,NELAC-NY12058,NJDEP,PADEP	04/02/2019 07:00	04/05/2019 12:50	LLJ
96-12-8	1,2-Dibromo-3-chloropropane	ND		ug/kg dry	2300	4600	1000	EPA 8260C Certifications: CTDOH,NELAC-NY10854,NELAC-NY12058,NJDEP,PADEP	04/02/2019 07:00	04/05/2019 12:50	LLJ
106-93-4	1,2-Dibromoethane	ND		ug/kg dry	2300	4600	1000	EPA 8260C Certifications: CTDOH,NELAC-NY10854,NELAC-NY12058,NJDEP,PADEP	04/02/2019 07:00	04/05/2019 12:50	LLJ
95-50-1	1,2-Dichlorobenzene	ND		ug/kg dry	2300	4600	1000	EPA 8260C Certifications: CTDOH,NELAC-NY10854,NELAC-NY12058,NJDEP,PADEP	04/02/2019 07:00	04/05/2019 12:50	LLJ
107-06-2	1,2-Dichloroethane	ND		ug/kg dry	2300	4600	1000	EPA 8260C Certifications: CTDOH,NELAC-NY10854,NELAC-NY12058,NJDEP,PADEP	04/02/2019 07:00	04/05/2019 12:50	LLJ
78-87-5	1,2-Dichloropropane	ND		ug/kg dry	2300	4600	1000	EPA 8260C Certifications: CTDOH,NELAC-NY10854,NELAC-NY12058,NJDEP,PADEP	04/02/2019 07:00	04/05/2019 12:50	LLJ
108-67-8	1,3,5-Trimethylbenzene	ND		ug/kg dry	2300	4600	1000	EPA 8260C Certifications: CTDOH,NELAC-NY10854,NELAC-NY12058,NJDEP,PADEP	04/02/2019 07:00	04/05/2019 12:50	LLJ
541-73-1	1,3-Dichlorobenzene	ND		ug/kg dry	2300	4600	1000	EPA 8260C Certifications: CTDOH,NELAC-NY10854,NELAC-NY12058,NJDEP,PADEP	04/02/2019 07:00	04/05/2019 12:50	LLJ
106-46-7	1,4-Dichlorobenzene	ND		ug/kg dry	2300	4600	1000	EPA 8260C Certifications: CTDOH,NELAC-NY10854,NELAC-NY12058,NJDEP,PADEP	04/02/2019 07:00	04/05/2019 12:50	LLJ
123-91-1	1,4-Dioxane	ND		ug/kg dry	46000	91000	1000	EPA 8260C Certifications: NELAC-NY10854,NELAC-NY12058,NJDEP,PADEP	04/02/2019 07:00	04/05/2019 12:50	LLJ
78-93-3	2-Butanone	ND		ug/kg dry	2300	4600	1000	EPA 8260C Certifications: CTDOH,NELAC-NY10854,NELAC-NY12058,NJDEP,PADEP	04/02/2019 07:00	04/05/2019 12:50	LLJ
591-78-6	2-Hexanone	ND		ug/kg dry	2300	4600	1000	EPA 8260C Certifications: CTDOH,NELAC-NY10854,NELAC-NY12058,NJDEP,PADEP	04/02/2019 07:00	04/05/2019 12:50	LLJ
108-10-1	4-Methyl-2-pentanone	ND		ug/kg dry	2300	4600	1000	EPA 8260C Certifications: CTDOH,NELAC-NY10854,NELAC-NY12058,NJDEP,PADEP	04/02/2019 07:00	04/05/2019 12:50	LLJ



### Sample Information

**Client Sample ID:** PD1-SB-102 (7.5-8.5') Grab

**York Sample ID:** 19C1272-11

York Project (SDG) No.

Client Project ID

Matrix

Collection Date/Time

Date Received

19C1272

1602600 Former Safety Kleen

Soil

March 28, 2019 12:38 pm

03/29/2019

**Volatile Organics, 8260 - Comprehensive**

**Log-in Notes:**

**Sample Notes:**

Sample Prepared by Method: EPA 5035A

CAS No.	Parameter	Result	Flag	Units	Reported to LOD/MDL	LOQ	Dilution	Reference Method	Date/Time Prepared	Date/Time Analyzed	Analyst
67-64-1	Acetone	ND		ug/kg dry	4600	9100	1000	EPA 8260C Certifications: CTDOH,NELAC-NY10854,NELAC-NY12058,NJDEP,PADEP	04/02/2019 07:00	04/05/2019 12:50	LLJ
107-02-8	Acrolein	ND		ug/kg dry	4600	9100	1000	EPA 8260C Certifications: CTDOH,NELAC-NY10854,NELAC-NY12058,NJDEP,PADEP	04/02/2019 07:00	04/05/2019 12:50	LLJ
107-13-1	Acrylonitrile	ND		ug/kg dry	2300	4600	1000	EPA 8260C Certifications: CTDOH,NELAC-NY10854,NELAC-NY12058,NJDEP,PADEP	04/02/2019 07:00	04/05/2019 12:50	LLJ
71-43-2	Benzene	ND		ug/kg dry	2300	4600	1000	EPA 8260C Certifications: CTDOH,NELAC-NY10854,NELAC-NY12058,NJDEP,PADEP	04/02/2019 07:00	04/05/2019 12:50	LLJ
74-97-5	Bromochloromethane	ND		ug/kg dry	2300	4600	1000	EPA 8260C Certifications: NELAC-NY10854,NELAC-NY12058,NJDEP,PADEP	04/02/2019 07:00	04/05/2019 12:50	LLJ
75-27-4	Bromodichloromethane	ND		ug/kg dry	2300	4600	1000	EPA 8260C Certifications: CTDOH,NELAC-NY10854,NELAC-NY12058,NJDEP,PADEP	04/02/2019 07:00	04/05/2019 12:50	LLJ
75-25-2	Bromoform	ND		ug/kg dry	2300	4600	1000	EPA 8260C Certifications: CTDOH,NELAC-NY10854,NELAC-NY12058,NJDEP,PADEP	04/02/2019 07:00	04/05/2019 12:50	LLJ
74-83-9	Bromomethane	ND		ug/kg dry	2300	4600	1000	EPA 8260C Certifications: CTDOH,NELAC-NY10854,NELAC-NY12058,NJDEP,PADEP	04/02/2019 07:00	04/05/2019 12:50	LLJ
75-15-0	Carbon disulfide	ND		ug/kg dry	2300	4600	1000	EPA 8260C Certifications: CTDOH,NELAC-NY10854,NELAC-NY12058,NJDEP,PADEP	04/02/2019 07:00	04/05/2019 12:50	LLJ
56-23-5	Carbon tetrachloride	ND		ug/kg dry	2300	4600	1000	EPA 8260C Certifications: CTDOH,NELAC-NY10854,NELAC-NY12058,NJDEP,PADEP	04/02/2019 07:00	04/05/2019 12:50	LLJ
108-90-7	Chlorobenzene	ND		ug/kg dry	2300	4600	1000	EPA 8260C Certifications: CTDOH,NELAC-NY10854,NELAC-NY12058,NJDEP,PADEP	04/02/2019 07:00	04/05/2019 12:50	LLJ
75-00-3	Chloroethane	ND		ug/kg dry	2300	4600	1000	EPA 8260C Certifications: CTDOH,NELAC-NY10854,NELAC-NY12058,NJDEP,PADEP	04/02/2019 07:00	04/05/2019 12:50	LLJ
67-66-3	Chloroform	ND		ug/kg dry	2300	4600	1000	EPA 8260C Certifications: CTDOH,NELAC-NY10854,NELAC-NY12058,NJDEP,PADEP	04/02/2019 07:00	04/05/2019 12:50	LLJ
74-87-3	Chloromethane	ND		ug/kg dry	2300	4600	1000	EPA 8260C Certifications: CTDOH,NELAC-NY10854,NELAC-NY12058,NJDEP,PADEP	04/02/2019 07:00	04/05/2019 12:50	LLJ
156-59-2	cis-1,2-Dichloroethylene	ND		ug/kg dry	2300	4600	1000	EPA 8260C Certifications: CTDOH,NELAC-NY10854,NELAC-NY12058,NJDEP,PADEP	04/02/2019 07:00	04/05/2019 12:50	LLJ
10061-01-5	cis-1,3-Dichloropropylene	ND		ug/kg dry	2300	4600	1000	EPA 8260C Certifications: CTDOH,NELAC-NY10854,NELAC-NY12058,NJDEP,PADEP	04/02/2019 07:00	04/05/2019 12:50	LLJ
110-82-7	Cyclohexane	ND		ug/kg dry	2300	4600	1000	EPA 8260C Certifications: NELAC-NY10854,NELAC-NY12058,NJDEP,PADEP	04/02/2019 07:00	04/05/2019 12:50	LLJ
124-48-1	Dibromochloromethane	ND		ug/kg dry	2300	4600	1000	EPA 8260C Certifications: NELAC-NY10854,NELAC-NY12058,NJDEP,PADEP	04/02/2019 07:00	04/05/2019 12:50	LLJ
74-95-3	Dibromomethane	ND		ug/kg dry	2300	4600	1000	EPA 8260C Certifications: NELAC-NY10854,NELAC-NY12058,NJDEP,PADEP	04/02/2019 07:00	04/05/2019 12:50	LLJ
75-71-8	Dichlorodifluoromethane	ND		ug/kg dry	2300	4600	1000	EPA 8260C Certifications: NELAC-NY10854,NELAC-NY12058,NJDEP,PADEP	04/02/2019 07:00	04/05/2019 12:50	LLJ
100-41-4	Ethyl Benzene	ND		ug/kg dry	2300	4600	1000	EPA 8260C Certifications: CTDOH,NELAC-NY10854,NELAC-NY12058,NJDEP,PADEP	04/02/2019 07:00	04/05/2019 12:50	LLJ
87-68-3	Hexachlorobutadiene	ND		ug/kg dry	2300	4600	1000	EPA 8260C Certifications: NELAC-NY10854,NELAC-NY12058,NJDEP,PADEP	04/02/2019 07:00	04/05/2019 12:50	LLJ
98-82-8	Isopropylbenzene	ND		ug/kg dry	2300	4600	1000	EPA 8260C Certifications: CTDOH,NELAC-NY10854,NELAC-NY12058,NJDEP,PADEP	04/02/2019 07:00	04/05/2019 12:50	LLJ



### Sample Information

**Client Sample ID:** PD1-SB-102 (7.5-8.5') Grab

**York Sample ID:** 19C1272-11

York Project (SDG) No.

Client Project ID

Matrix

Collection Date/Time

Date Received

19C1272

1602600 Former Safety Kleen

Soil

March 28, 2019 12:38 pm

03/29/2019

**Volatile Organics, 8260 - Comprehensive**

**Log-in Notes:**

**Sample Notes:**

Sample Prepared by Method: EPA 5035A

CAS No.	Parameter	Result	Flag	Units	Reported to LOD/MDL	LOQ	Dilution	Reference Method	Date/Time Prepared	Date/Time Analyzed	Analyst
79-20-9	Methyl acetate	ND		ug/kg dry	2300	4600	1000	EPA 8260C Certifications: NELAC-NY10854,NELAC-NY12058,NJDEP,PADEP	04/02/2019 07:00	04/05/2019 12:50	LLJ
1634-04-4	Methyl tert-butyl ether (MTBE)	ND		ug/kg dry	2300	4600	1000	EPA 8260C Certifications: CTDOH,NELAC-NY10854,NELAC-NY12058,NJDEP,PADEP	04/02/2019 07:00	04/05/2019 12:50	LLJ
108-87-2	Methylcyclohexane	ND		ug/kg dry	2300	4600	1000	EPA 8260C Certifications: NELAC-NY10854,NELAC-NY12058,NJDEP,PADEP	04/02/2019 07:00	04/05/2019 12:50	LLJ
75-09-2	Methylene chloride	ND		ug/kg dry	4600	9100	1000	EPA 8260C Certifications: CTDOH,NELAC-NY10854,NELAC-NY12058,NJDEP,PADEP	04/02/2019 07:00	04/05/2019 12:50	LLJ
104-51-8	n-Butylbenzene	ND		ug/kg dry	2300	4600	1000	EPA 8260C Certifications: CTDOH,NELAC-NY10854,NELAC-NY12058,NJDEP,PADEP	04/02/2019 07:00	04/05/2019 12:50	LLJ
103-65-1	n-Propylbenzene	ND		ug/kg dry	2300	4600	1000	EPA 8260C Certifications: CTDOH,NELAC-NY10854,NELAC-NY12058,NJDEP,PADEP	04/02/2019 07:00	04/05/2019 12:50	LLJ
95-47-6	o-Xylene	ND		ug/kg dry	2300	4600	1000	EPA 8260C Certifications: CTDOH,NELAC-NY10854,NELAC-NY12058,PADEP	04/02/2019 07:00	04/05/2019 12:50	LLJ
179601-23-1	p- & m- Xylenes	ND		ug/kg dry	4600	9100	1000	EPA 8260C Certifications: CTDOH,NELAC-NY10854,NELAC-NY12058,PADEP	04/02/2019 07:00	04/05/2019 12:50	LLJ
99-87-6	p-Isopropyltoluene	ND		ug/kg dry	2300	4600	1000	EPA 8260C Certifications: CTDOH,NELAC-NY10854,NELAC-NY12058,NJDEP,PADEP	04/02/2019 07:00	04/05/2019 12:50	LLJ
135-98-8	sec-Butylbenzene	ND		ug/kg dry	2300	4600	1000	EPA 8260C Certifications: CTDOH,NELAC-NY10854,NELAC-NY12058,NJDEP,PADEP	04/02/2019 07:00	04/05/2019 12:50	LLJ
100-42-5	Styrene	ND		ug/kg dry	2300	4600	1000	EPA 8260C Certifications: CTDOH,NELAC-NY10854,NELAC-NY12058,NJDEP,PADEP	04/02/2019 07:00	04/05/2019 12:50	LLJ
75-65-0	tert-Butyl alcohol (TBA)	ND		ug/kg dry	2300	4600	1000	EPA 8260C Certifications: NELAC-NY10854,NELAC-NY12058,NJDEP,PADEP	04/02/2019 07:00	04/05/2019 12:50	LLJ
98-06-6	tert-Butylbenzene	ND		ug/kg dry	2300	4600	1000	EPA 8260C Certifications: CTDOH,NELAC-NY10854,NELAC-NY12058,NJDEP,PADEP	04/02/2019 07:00	04/05/2019 12:50	LLJ
127-18-4	<b>Tetrachloroethylene</b>	<b>24000</b>		ug/kg dry	2300	4600	1000	EPA 8260C Certifications: CTDOH,NELAC-NY10854,NELAC-NY12058,NJDEP,PADEP	04/02/2019 07:00	04/05/2019 12:50	LLJ
108-88-3	Toluene	ND		ug/kg dry	2300	4600	1000	EPA 8260C Certifications: CTDOH,NELAC-NY10854,NELAC-NY12058,NJDEP,PADEP	04/02/2019 07:00	04/05/2019 12:50	LLJ
156-60-5	trans-1,2-Dichloroethylene	ND		ug/kg dry	2300	4600	1000	EPA 8260C Certifications: CTDOH,NELAC-NY10854,NELAC-NY12058,NJDEP,PADEP	04/02/2019 07:00	04/05/2019 12:50	LLJ
10061-02-6	trans-1,3-Dichloropropylene	ND		ug/kg dry	2300	4600	1000	EPA 8260C Certifications: CTDOH,NELAC-NY10854,NELAC-NY12058,NJDEP,PADEP	04/02/2019 07:00	04/05/2019 12:50	LLJ
110-57-6	* trans-1,4-dichloro-2-butene	ND		ug/kg dry	2300	4600	1000	EPA 8260C Certifications: CTDOH	04/02/2019 07:00	04/05/2019 12:50	LLJ
79-01-6	Trichloroethylene	ND		ug/kg dry	2300	4600	1000	EPA 8260C Certifications: CTDOH,NELAC-NY10854,NELAC-NY12058,NJDEP,PADEP	04/02/2019 07:00	04/05/2019 12:50	LLJ
75-69-4	Trichlorofluoromethane	ND		ug/kg dry	2300	4600	1000	EPA 8260C Certifications: CTDOH,NELAC-NY10854,NELAC-NY12058,NJDEP,PADEP	04/02/2019 07:00	04/05/2019 12:50	LLJ
75-01-4	Vinyl Chloride	ND		ug/kg dry	2300	4600	1000	EPA 8260C Certifications: CTDOH,NELAC-NY10854,NELAC-NY12058,NJDEP,PADEP	04/02/2019 07:00	04/05/2019 12:50	LLJ
1330-20-7	Xylenes, Total	ND		ug/kg dry	6800	14000	1000	EPA 8260C Certifications: CTDOH,NELAC-NY10854,NELAC-NY12058,NJDEP	04/02/2019 07:00	04/05/2019 12:50	LLJ

**Surrogate Recoveries**

**Result**

**Acceptance Range**

17060-07-0 Surrogate: SURR: 1,2-Dichloroethane-d4 101 %

77-125



### Sample Information

**Client Sample ID:** PD1-SB-102 (7.5-8.5') Grab

**York Sample ID:** 19C1272-11

York Project (SDG) No.

Client Project ID

Matrix

Collection Date/Time

Date Received

19C1272

1602600 Former Safety Kleen

Soil

March 28, 2019 12:38 pm

03/29/2019

**Volatile Organics, 8260 - Comprehensive**

Log-in Notes:

Sample Notes:

Sample Prepared by Method: EPA 5035A

CAS No.	Parameter	Result	Flag	Units	Reported to LOD/MDL	LOQ	Dilution	Reference Method	Date/Time Prepared	Date/Time Analyzed	Analyst
2037-26-5	Surrogate: SURR: Toluene-d8	103 %			85-120						
460-00-4	Surrogate: SURR: p-Bromofluorobenzene	97.4 %			76-130						

**Total Solids**

Log-in Notes:

Sample Notes:

Sample Prepared by Method: % Solids Prep

CAS No.	Parameter	Result	Flag	Units	Reported to LOQ	Dilution	Reference Method	Date/Time Prepared	Date/Time Analyzed	Analyst
solids	* % Solids	88.6		%	0.100	1	SM 2540G Certifications: CTDOH	04/04/2019 11:00	04/05/2019 12:58	AS

### Sample Information

**Client Sample ID:** DUP-1

**York Sample ID:** 19C1272-12

York Project (SDG) No.

Client Project ID

Matrix

Collection Date/Time

Date Received

19C1272

1602600 Former Safety Kleen

Soil

March 28, 2019 7:00 am

03/29/2019

**Volatile Organics, 8260 - Comprehensive**

Log-in Notes:

Sample Notes: VOA-WT

Sample Prepared by Method: EPA 5035A

CAS No.	Parameter	Result	Flag	Units	Reported to LOD/MDL	LOQ	Dilution	Reference Method	Date/Time Prepared	Date/Time Analyzed	Analyst
630-20-6	1,1,1,2-Tetrachloroethane	ND		ug/kg dry	2.8	5.7	1	EPA 8260C Certifications: CTDOH,NELAC-NY10854,NELAC-NY12058,NJDEP,PADEP	04/02/2019 10:08	04/02/2019 16:04	LLJ
71-55-6	1,1,1-Trichloroethane	ND		ug/kg dry	2.8	5.7	1	EPA 8260C Certifications: CTDOH,NELAC-NY10854,NELAC-NY12058,NJDEP,PADEP	04/02/2019 10:08	04/02/2019 16:04	LLJ
79-34-5	1,1,2,2-Tetrachloroethane	ND		ug/kg dry	2.8	5.7	1	EPA 8260C Certifications: CTDOH,NELAC-NY10854,NELAC-NY12058,NJDEP,PADEP	04/02/2019 10:08	04/02/2019 16:04	LLJ
76-13-1	1,1,2-Trichloro-1,2,2-trifluoroethane (Freon 113)	ND		ug/kg dry	2.8	5.7	1	EPA 8260C Certifications: CTDOH,NELAC-NY10854,NELAC-NY12058,NJDEP	04/02/2019 10:08	04/02/2019 16:04	LLJ
79-00-5	1,1,2-Trichloroethane	ND		ug/kg dry	2.8	5.7	1	EPA 8260C Certifications: CTDOH,NELAC-NY10854,NELAC-NY12058,NJDEP,PADEP	04/02/2019 10:08	04/02/2019 16:04	LLJ
75-34-3	1,1-Dichloroethane	ND		ug/kg dry	2.8	5.7	1	EPA 8260C Certifications: CTDOH,NELAC-NY10854,NELAC-NY12058,NJDEP,PADEP	04/02/2019 10:08	04/02/2019 16:04	LLJ
75-35-4	1,1-Dichloroethylene	ND		ug/kg dry	2.8	5.7	1	EPA 8260C Certifications: CTDOH,NELAC-NY10854,NELAC-NY12058,NJDEP,PADEP	04/02/2019 10:08	04/02/2019 16:04	LLJ
87-61-6	1,2,3-Trichlorobenzene	ND		ug/kg dry	2.8	5.7	1	EPA 8260C Certifications: NELAC-NY10854,NELAC-NY12058,NJDEP,PADEP	04/02/2019 10:08	04/02/2019 16:04	LLJ
96-18-4	1,2,3-Trichloropropane	ND		ug/kg dry	2.8	5.7	1	EPA 8260C Certifications: NELAC-NY10854,NELAC-NY12058,NJDEP	04/02/2019 10:08	04/02/2019 16:04	LLJ
120-82-1	1,2,4-Trichlorobenzene	ND		ug/kg dry	2.8	5.7	1	EPA 8260C Certifications: NELAC-NY10854,NELAC-NY12058,NJDEP,PADEP	04/02/2019 10:08	04/02/2019 16:04	LLJ



### Sample Information

**Client Sample ID:** DUP-1

**York Sample ID:** 19C1272-12

York Project (SDG) No.

Client Project ID

Matrix

Collection Date/Time

Date Received

19C1272

1602600 Former Safety Kleen

Soil

March 28, 2019 7:00 am

03/29/2019

**Volatile Organics, 8260 - Comprehensive**

**Log-in Notes:**

**Sample Notes: VOA-WT**

Sample Prepared by Method: EPA 5035A

CAS No.	Parameter	Result	Flag	Units	Reported to LOD/MDL	LOQ	Dilution	Reference Method	Date/Time Prepared	Date/Time Analyzed	Analyst
95-63-6	1,2,4-Trimethylbenzene	ND		ug/kg dry	2.8	5.7	1	EPA 8260C Certifications: CTDOH,NELAC-NY10854,NELAC-NY12058,NJDEP,PADEP	04/02/2019 10:08	04/02/2019 16:04	LLJ
96-12-8	1,2-Dibromo-3-chloropropane	ND		ug/kg dry	2.8	5.7	1	EPA 8260C Certifications: CTDOH,NELAC-NY10854,NELAC-NY12058,NJDEP,PADEP	04/02/2019 10:08	04/02/2019 16:04	LLJ
106-93-4	1,2-Dibromoethane	ND		ug/kg dry	2.8	5.7	1	EPA 8260C Certifications: CTDOH,NELAC-NY10854,NELAC-NY12058,NJDEP,PADEP	04/02/2019 10:08	04/02/2019 16:04	LLJ
95-50-1	1,2-Dichlorobenzene	ND		ug/kg dry	2.8	5.7	1	EPA 8260C Certifications: CTDOH,NELAC-NY10854,NELAC-NY12058,NJDEP,PADEP	04/02/2019 10:08	04/02/2019 16:04	LLJ
107-06-2	1,2-Dichloroethane	ND		ug/kg dry	2.8	5.7	1	EPA 8260C Certifications: CTDOH,NELAC-NY10854,NELAC-NY12058,NJDEP,PADEP	04/02/2019 10:08	04/02/2019 16:04	LLJ
78-87-5	1,2-Dichloropropane	ND		ug/kg dry	2.8	5.7	1	EPA 8260C Certifications: CTDOH,NELAC-NY10854,NELAC-NY12058,NJDEP,PADEP	04/02/2019 10:08	04/02/2019 16:04	LLJ
108-67-8	1,3,5-Trimethylbenzene	ND		ug/kg dry	2.8	5.7	1	EPA 8260C Certifications: CTDOH,NELAC-NY10854,NELAC-NY12058,NJDEP,PADEP	04/02/2019 10:08	04/02/2019 16:04	LLJ
541-73-1	1,3-Dichlorobenzene	ND		ug/kg dry	2.8	5.7	1	EPA 8260C Certifications: CTDOH,NELAC-NY10854,NELAC-NY12058,NJDEP,PADEP	04/02/2019 10:08	04/02/2019 16:04	LLJ
106-46-7	1,4-Dichlorobenzene	ND		ug/kg dry	2.8	5.7	1	EPA 8260C Certifications: CTDOH,NELAC-NY10854,NELAC-NY12058,NJDEP,PADEP	04/02/2019 10:08	04/02/2019 16:04	LLJ
123-91-1	1,4-Dioxane	ND		ug/kg dry	57	110	1	EPA 8260C Certifications: NELAC-NY10854,NELAC-NY12058,NJDEP,PADEP	04/02/2019 10:08	04/02/2019 16:04	LLJ
78-93-3	2-Butanone	ND		ug/kg dry	2.8	5.7	1	EPA 8260C Certifications: CTDOH,NELAC-NY10854,NELAC-NY12058,NJDEP,PADEP	04/02/2019 10:08	04/02/2019 16:04	LLJ
591-78-6	2-Hexanone	ND		ug/kg dry	2.8	5.7	1	EPA 8260C Certifications: CTDOH,NELAC-NY10854,NELAC-NY12058,NJDEP,PADEP	04/02/2019 10:08	04/02/2019 16:04	LLJ
108-10-1	4-Methyl-2-pentanone	ND		ug/kg dry	2.8	5.7	1	EPA 8260C Certifications: CTDOH,NELAC-NY10854,NELAC-NY12058,NJDEP,PADEP	04/02/2019 10:08	04/02/2019 16:04	LLJ
67-64-1	Acetone	ND		ug/kg dry	5.7	11	1	EPA 8260C Certifications: CTDOH,NELAC-NY10854,NELAC-NY12058,NJDEP,PADEP	04/02/2019 10:08	04/02/2019 16:04	LLJ
107-02-8	Acrolein	ND		ug/kg dry	5.7	11	1	EPA 8260C Certifications: CTDOH,NELAC-NY10854,NELAC-NY12058,NJDEP,PADEP	04/02/2019 10:08	04/02/2019 16:04	LLJ
107-13-1	Acrylonitrile	ND		ug/kg dry	2.8	5.7	1	EPA 8260C Certifications: CTDOH,NELAC-NY10854,NELAC-NY12058,NJDEP,PADEP	04/02/2019 10:08	04/02/2019 16:04	LLJ
71-43-2	Benzene	ND		ug/kg dry	2.8	5.7	1	EPA 8260C Certifications: CTDOH,NELAC-NY10854,NELAC-NY12058,NJDEP,PADEP	04/02/2019 10:08	04/02/2019 16:04	LLJ
74-97-5	Bromochloromethane	ND		ug/kg dry	2.8	5.7	1	EPA 8260C Certifications: NELAC-NY10854,NELAC-NY12058,NJDEP,PADEP	04/02/2019 10:08	04/02/2019 16:04	LLJ
75-27-4	Bromodichloromethane	ND		ug/kg dry	2.8	5.7	1	EPA 8260C Certifications: CTDOH,NELAC-NY10854,NELAC-NY12058,NJDEP,PADEP	04/02/2019 10:08	04/02/2019 16:04	LLJ
75-25-2	Bromoform	ND		ug/kg dry	2.8	5.7	1	EPA 8260C Certifications: CTDOH,NELAC-NY10854,NELAC-NY12058,NJDEP,PADEP	04/02/2019 10:08	04/02/2019 16:04	LLJ
74-83-9	Bromomethane	ND		ug/kg dry	2.8	5.7	1	EPA 8260C Certifications: CTDOH,NELAC-NY10854,NELAC-NY12058,NJDEP,PADEP	04/02/2019 10:08	04/02/2019 16:04	LLJ
75-15-0	Carbon disulfide	ND		ug/kg dry	2.8	5.7	1	EPA 8260C Certifications: CTDOH,NELAC-NY10854,NELAC-NY12058,NJDEP,PADEP	04/02/2019 10:08	04/02/2019 16:04	LLJ
56-23-5	Carbon tetrachloride	ND		ug/kg dry	2.8	5.7	1	EPA 8260C Certifications: CTDOH,NELAC-NY10854,NELAC-NY12058,NJDEP,PADEP	04/02/2019 10:08	04/02/2019 16:04	LLJ



### Sample Information

**Client Sample ID:** DUP-1

**York Sample ID:** 19C1272-12

York Project (SDG) No.

Client Project ID

Matrix

Collection Date/Time

Date Received

19C1272

1602600 Former Safety Kleen

Soil

March 28, 2019 7:00 am

03/29/2019

**Volatile Organics, 8260 - Comprehensive**

**Log-in Notes:**

**Sample Notes: VOA-WT**

Sample Prepared by Method: EPA 5035A

CAS No.	Parameter	Result	Flag	Units	Reported to LOD/MDL	LOQ	Dilution	Reference Method	Date/Time Prepared	Date/Time Analyzed	Analyst
108-90-7	Chlorobenzene	ND		ug/kg dry	2.8	5.7	1	EPA 8260C Certifications: CTDOH,NELAC-NY10854,NELAC-NY12058,NJDEP,PADEP	04/02/2019 10:08	04/02/2019 16:04	LLJ
75-00-3	Chloroethane	ND		ug/kg dry	2.8	5.7	1	EPA 8260C Certifications: CTDOH,NELAC-NY10854,NELAC-NY12058,NJDEP,PADEP	04/02/2019 10:08	04/02/2019 16:04	LLJ
67-66-3	Chloroform	ND		ug/kg dry	2.8	5.7	1	EPA 8260C Certifications: CTDOH,NELAC-NY10854,NELAC-NY12058,NJDEP,PADEP	04/02/2019 10:08	04/02/2019 16:04	LLJ
74-87-3	Chloromethane	ND		ug/kg dry	2.8	5.7	1	EPA 8260C Certifications: CTDOH,NELAC-NY10854,NELAC-NY12058,NJDEP,PADEP	04/02/2019 10:08	04/02/2019 16:04	LLJ
156-59-2	cis-1,2-Dichloroethylene	ND		ug/kg dry	2.8	5.7	1	EPA 8260C Certifications: CTDOH,NELAC-NY10854,NELAC-NY12058,NJDEP,PADEP	04/02/2019 10:08	04/02/2019 16:04	LLJ
10061-01-5	cis-1,3-Dichloropropylene	ND		ug/kg dry	2.8	5.7	1	EPA 8260C Certifications: CTDOH,NELAC-NY10854,NELAC-NY12058,NJDEP,PADEP	04/02/2019 10:08	04/02/2019 16:04	LLJ
110-82-7	Cyclohexane	ND		ug/kg dry	2.8	5.7	1	EPA 8260C Certifications: NELAC-NY10854,NELAC-NY12058,NJDEP,PADEP	04/02/2019 10:08	04/02/2019 16:04	LLJ
124-48-1	Dibromochloromethane	ND		ug/kg dry	2.8	5.7	1	EPA 8260C Certifications: NELAC-NY10854,NELAC-NY12058,NJDEP,PADEP	04/02/2019 10:08	04/02/2019 16:04	LLJ
74-95-3	Dibromomethane	ND		ug/kg dry	2.8	5.7	1	EPA 8260C Certifications: NELAC-NY10854,NELAC-NY12058,NJDEP,PADEP	04/02/2019 10:08	04/02/2019 16:04	LLJ
75-71-8	Dichlorodifluoromethane	ND		ug/kg dry	2.8	5.7	1	EPA 8260C Certifications: NELAC-NY10854,NELAC-NY12058,NJDEP,PADEP	04/02/2019 10:08	04/02/2019 16:04	LLJ
100-41-4	Ethyl Benzene	ND		ug/kg dry	2.8	5.7	1	EPA 8260C Certifications: CTDOH,NELAC-NY10854,NELAC-NY12058,NJDEP,PADEP	04/02/2019 10:08	04/02/2019 16:04	LLJ
87-68-3	Hexachlorobutadiene	ND		ug/kg dry	2.8	5.7	1	EPA 8260C Certifications: NELAC-NY10854,NELAC-NY12058,NJDEP,PADEP	04/02/2019 10:08	04/02/2019 16:04	LLJ
98-82-8	Isopropylbenzene	ND		ug/kg dry	2.8	5.7	1	EPA 8260C Certifications: CTDOH,NELAC-NY10854,NELAC-NY12058,NJDEP,PADEP	04/02/2019 10:08	04/02/2019 16:04	LLJ
79-20-9	Methyl acetate	ND		ug/kg dry	2.8	5.7	1	EPA 8260C Certifications: NELAC-NY10854,NELAC-NY12058,NJDEP,PADEP	04/02/2019 10:08	04/02/2019 16:04	LLJ
1634-04-4	Methyl tert-butyl ether (MTBE)	ND		ug/kg dry	2.8	5.7	1	EPA 8260C Certifications: CTDOH,NELAC-NY10854,NELAC-NY12058,NJDEP,PADEP	04/02/2019 10:08	04/02/2019 16:04	LLJ
108-87-2	Methylcyclohexane	ND		ug/kg dry	2.8	5.7	1	EPA 8260C Certifications: NELAC-NY10854,NELAC-NY12058,NJDEP,PADEP	04/02/2019 10:08	04/02/2019 16:04	LLJ
75-09-2	Methylene chloride	ND		ug/kg dry	5.7	11	1	EPA 8260C Certifications: CTDOH,NELAC-NY10854,NELAC-NY12058,NJDEP,PADEP	04/02/2019 10:08	04/02/2019 16:04	LLJ
104-51-8	n-Butylbenzene	ND		ug/kg dry	2.8	5.7	1	EPA 8260C Certifications: CTDOH,NELAC-NY10854,NELAC-NY12058,NJDEP,PADEP	04/02/2019 10:08	04/02/2019 16:04	LLJ
103-65-1	n-Propylbenzene	ND		ug/kg dry	2.8	5.7	1	EPA 8260C Certifications: CTDOH,NELAC-NY10854,NELAC-NY12058,NJDEP,PADEP	04/02/2019 10:08	04/02/2019 16:04	LLJ
95-47-6	o-Xylene	ND		ug/kg dry	2.8	5.7	1	EPA 8260C Certifications: CTDOH,NELAC-NY10854,NELAC-NY12058,NJDEP,PADEP	04/02/2019 10:08	04/02/2019 16:04	LLJ
179601-23-1	p- & m- Xylenes	ND		ug/kg dry	5.7	11	1	EPA 8260C Certifications: CTDOH,NELAC-NY10854,NELAC-NY12058,NJDEP,PADEP	04/02/2019 10:08	04/02/2019 16:04	LLJ
99-87-6	p-Isopropyltoluene	ND		ug/kg dry	2.8	5.7	1	EPA 8260C Certifications: CTDOH,NELAC-NY10854,NELAC-NY12058,NJDEP,PADEP	04/02/2019 10:08	04/02/2019 16:04	LLJ
135-98-8	sec-Butylbenzene	ND		ug/kg dry	2.8	5.7	1	EPA 8260C Certifications: CTDOH,NELAC-NY10854,NELAC-NY12058,NJDEP,PADEP	04/02/2019 10:08	04/02/2019 16:04	LLJ





### Sample Information

**Client Sample ID:** DUP-1

**York Sample ID:** 19C1272-12

York Project (SDG) No.

Client Project ID

Matrix

Collection Date/Time

Date Received

19C1272

1602600 Former Safety Kleen

Soil

March 28, 2019 7:00 am

03/29/2019

**Volatile Organics, 8260 - Comprehensive**

**Log-in Notes:**

**Sample Notes: VOA-WT**

Sample Prepared by Method: EPA 5035A

CAS No.	Parameter	Result	Flag	Units	Reported to LOD/MDL	LOQ	Dilution	Reference Method	Date/Time Prepared	Date/Time Analyzed	Analyst
100-42-5	Styrene	ND		ug/kg dry	2.8	5.7	1	EPA 8260C Certifications: CTDOH,NELAC-NY10854,NELAC-NY12058,NJDEP,PADEP	04/02/2019 10:08	04/02/2019 16:04	LLJ
75-65-0	tert-Butyl alcohol (TBA)	ND		ug/kg dry	2.8	5.7	1	EPA 8260C Certifications: NELAC-NY10854,NELAC-NY12058,NJDEP,PADEP	04/02/2019 10:08	04/02/2019 16:04	LLJ
98-06-6	tert-Butylbenzene	ND		ug/kg dry	2.8	5.7	1	EPA 8260C Certifications: CTDOH,NELAC-NY10854,NELAC-NY12058,NJDEP,PADEP	04/02/2019 10:08	04/02/2019 16:04	LLJ
127-18-4	<b>Tetrachloroethylene</b>	<b>1500000</b>		ug/kg dry	28000	57000	10000	EPA 8260C Certifications: CTDOH,NELAC-NY10854,NELAC-NY12058,NJDEP,PADEP	04/02/2019 10:08	04/05/2019 14:12	LLJ
108-88-3	Toluene	ND		ug/kg dry	2.8	5.7	1	EPA 8260C Certifications: CTDOH,NELAC-NY10854,NELAC-NY12058,NJDEP,PADEP	04/02/2019 10:08	04/02/2019 16:04	LLJ
156-60-5	trans-1,2-Dichloroethylene	ND		ug/kg dry	2.8	5.7	1	EPA 8260C Certifications: CTDOH,NELAC-NY10854,NELAC-NY12058,NJDEP,PADEP	04/02/2019 10:08	04/02/2019 16:04	LLJ
10061-02-6	trans-1,3-Dichloropropylene	ND		ug/kg dry	2.8	5.7	1	EPA 8260C Certifications: CTDOH,NELAC-NY10854,NELAC-NY12058,NJDEP,PADEP	04/02/2019 10:08	04/02/2019 16:04	LLJ
110-57-6	* trans-1,4-dichloro-2-butene	ND		ug/kg dry	2.8	5.7	1	EPA 8260C Certifications: CTDOH	04/02/2019 10:08	04/02/2019 16:04	LLJ
79-01-6	Trichloroethylene	ND		ug/kg dry	2.8	5.7	1	EPA 8260C Certifications: CTDOH,NELAC-NY10854,NELAC-NY12058,NJDEP,PADEP	04/02/2019 10:08	04/02/2019 16:04	LLJ
75-69-4	Trichlorofluoromethane	ND		ug/kg dry	2.8	5.7	1	EPA 8260C Certifications: CTDOH,NELAC-NY10854,NELAC-NY12058,NJDEP,PADEP	04/02/2019 10:08	04/02/2019 16:04	LLJ
75-01-4	Vinyl Chloride	ND		ug/kg dry	2.8	5.7	1	EPA 8260C Certifications: CTDOH,NELAC-NY10854,NELAC-NY12058,NJDEP,PADEP	04/02/2019 10:08	04/02/2019 16:04	LLJ
1330-20-7	Xylenes, Total	ND		ug/kg dry	8.5	17	1	EPA 8260C Certifications: CTDOH,NELAC-NY10854,NELAC-NY12058,NJDEP	04/02/2019 10:08	04/02/2019 16:04	LLJ
<b>Surrogate Recoveries</b>		<b>Result</b>			<b>Acceptance Range</b>						
17060-07-0	Surrogate: SURR: 1,2-Dichloroethane-d4	120 %			77-125						
2037-26-5	Surrogate: SURR: Toluene-d8	100 %			85-120						
460-00-4	Surrogate: SURR: p-Bromofluorobenzene	111 %			76-130						

**Total Solids**

**Log-in Notes:**

**Sample Notes:**

Sample Prepared by Method: % Solids Prep

CAS No.	Parameter	Result	Flag	Units	Reported to LOQ	Dilution	Reference Method	Date/Time Prepared	Date/Time Analyzed	Analyst
solids	* % Solids	87.8		%	0.100	1	SM 2540G Certifications: CTDOH	04/04/2019 11:00	04/05/2019 12:58	AS

### Sample Information

**Client Sample ID:** PD1-SB-102 (4.7-8.5') Grab

**York Sample ID:** 19C1272-13

York Project (SDG) No.

Client Project ID

Matrix

Collection Date/Time

Date Received

19C1272

1602600 Former Safety Kleen

Soil

March 28, 2019 12:43 pm

03/29/2019



### Sample Information

**Client Sample ID:** PD1-SB-102 (4.7-8.5') Grab

**York Sample ID:** 19C1272-13

York Project (SDG) No.

Client Project ID

Matrix

Collection Date/Time

Date Received

19C1272

1602600 Former Safety Kleen

Soil

March 28, 2019 12:43 pm

03/29/2019

**Volatile Organics, 8260 - Comprehensive**

**Log-in Notes:**

**Sample Notes:**

Sample Prepared by Method: EPA 5035A

CAS No.	Parameter	Result	Flag	Units	Reported to LOD/MDL	LOQ	Dilution	Reference Method	Date/Time Prepared	Date/Time Analyzed	Analyst
630-20-6	1,1,1,2-Tetrachloroethane	ND		ug/kg dry	2.2	4.3	1	EPA 8260C Certifications: CTDOH,NELAC-NY10854,NELAC-NY12058,NJDEP,PADEP	04/02/2019 10:08	04/02/2019 16:31	LLJ
71-55-6	1,1,1-Trichloroethane	ND		ug/kg dry	2.2	4.3	1	EPA 8260C Certifications: CTDOH,NELAC-NY10854,NELAC-NY12058,NJDEP,PADEP	04/02/2019 10:08	04/02/2019 16:31	LLJ
79-34-5	1,1,2,2-Tetrachloroethane	ND		ug/kg dry	2.2	4.3	1	EPA 8260C Certifications: CTDOH,NELAC-NY10854,NELAC-NY12058,NJDEP,PADEP	04/02/2019 10:08	04/02/2019 16:31	LLJ
76-13-1	1,1,2-Trichloro-1,2,2-trifluoroethane (Freon 113)	ND		ug/kg dry	2.2	4.3	1	EPA 8260C Certifications: CTDOH,NELAC-NY10854,NELAC-NY12058,NJDEP	04/02/2019 10:08	04/02/2019 16:31	LLJ
79-00-5	1,1,2-Trichloroethane	ND		ug/kg dry	2.2	4.3	1	EPA 8260C Certifications: CTDOH,NELAC-NY10854,NELAC-NY12058,NJDEP,PADEP	04/02/2019 10:08	04/02/2019 16:31	LLJ
75-34-3	1,1-Dichloroethane	ND		ug/kg dry	2.2	4.3	1	EPA 8260C Certifications: CTDOH,NELAC-NY10854,NELAC-NY12058,NJDEP,PADEP	04/02/2019 10:08	04/02/2019 16:31	LLJ
75-35-4	1,1-Dichloroethylene	ND		ug/kg dry	2.2	4.3	1	EPA 8260C Certifications: CTDOH,NELAC-NY10854,NELAC-NY12058,NJDEP,PADEP	04/02/2019 10:08	04/02/2019 16:31	LLJ
87-61-6	1,2,3-Trichlorobenzene	ND		ug/kg dry	2.2	4.3	1	EPA 8260C Certifications: NELAC-NY10854,NELAC-NY12058,NJDEP,PADEP	04/02/2019 10:08	04/02/2019 16:31	LLJ
96-18-4	1,2,3-Trichloropropane	ND		ug/kg dry	2.2	4.3	1	EPA 8260C Certifications: NELAC-NY10854,NELAC-NY12058,NJDEP	04/02/2019 10:08	04/02/2019 16:31	LLJ
120-82-1	1,2,4-Trichlorobenzene	ND		ug/kg dry	2.2	4.3	1	EPA 8260C Certifications: NELAC-NY10854,NELAC-NY12058,NJDEP,PADEP	04/02/2019 10:08	04/02/2019 16:31	LLJ
95-63-6	1,2,4-Trimethylbenzene	ND		ug/kg dry	2.2	4.3	1	EPA 8260C Certifications: CTDOH,NELAC-NY10854,NELAC-NY12058,NJDEP,PADEP	04/02/2019 10:08	04/02/2019 16:31	LLJ
96-12-8	1,2-Dibromo-3-chloropropane	ND		ug/kg dry	2.2	4.3	1	EPA 8260C Certifications: CTDOH,NELAC-NY10854,NELAC-NY12058,NJDEP,PADEP	04/02/2019 10:08	04/02/2019 16:31	LLJ
106-93-4	1,2-Dibromoethane	ND		ug/kg dry	2.2	4.3	1	EPA 8260C Certifications: CTDOH,NELAC-NY10854,NELAC-NY12058,NJDEP,PADEP	04/02/2019 10:08	04/02/2019 16:31	LLJ
95-50-1	1,2-Dichlorobenzene	ND		ug/kg dry	2.2	4.3	1	EPA 8260C Certifications: CTDOH,NELAC-NY10854,NELAC-NY12058,NJDEP,PADEP	04/02/2019 10:08	04/02/2019 16:31	LLJ
107-06-2	1,2-Dichloroethane	ND		ug/kg dry	2.2	4.3	1	EPA 8260C Certifications: CTDOH,NELAC-NY10854,NELAC-NY12058,NJDEP,PADEP	04/02/2019 10:08	04/02/2019 16:31	LLJ
78-87-5	1,2-Dichloropropane	ND		ug/kg dry	2.2	4.3	1	EPA 8260C Certifications: CTDOH,NELAC-NY10854,NELAC-NY12058,NJDEP,PADEP	04/02/2019 10:08	04/02/2019 16:31	LLJ
108-67-8	1,3,5-Trimethylbenzene	ND		ug/kg dry	2.2	4.3	1	EPA 8260C Certifications: CTDOH,NELAC-NY10854,NELAC-NY12058,NJDEP,PADEP	04/02/2019 10:08	04/02/2019 16:31	LLJ
541-73-1	1,3-Dichlorobenzene	ND		ug/kg dry	2.2	4.3	1	EPA 8260C Certifications: CTDOH,NELAC-NY10854,NELAC-NY12058,NJDEP,PADEP	04/02/2019 10:08	04/02/2019 16:31	LLJ
106-46-7	1,4-Dichlorobenzene	ND		ug/kg dry	2.2	4.3	1	EPA 8260C Certifications: CTDOH,NELAC-NY10854,NELAC-NY12058,NJDEP,PADEP	04/02/2019 10:08	04/02/2019 16:31	LLJ
123-91-1	1,4-Dioxane	ND		ug/kg dry	43	87	1	EPA 8260C Certifications: NELAC-NY10854,NELAC-NY12058,NJDEP,PADEP	04/02/2019 10:08	04/02/2019 16:31	LLJ
78-93-3	2-Butanone	ND		ug/kg dry	2.2	4.3	1	EPA 8260C Certifications: CTDOH,NELAC-NY10854,NELAC-NY12058,NJDEP,PADEP	04/02/2019 10:08	04/02/2019 16:31	LLJ
591-78-6	2-Hexanone	ND		ug/kg dry	2.2	4.3	1	EPA 8260C Certifications: CTDOH,NELAC-NY10854,NELAC-NY12058,NJDEP,PADEP	04/02/2019 10:08	04/02/2019 16:31	LLJ
108-10-1	4-Methyl-2-pentanone	ND		ug/kg dry	2.2	4.3	1	EPA 8260C Certifications: CTDOH,NELAC-NY10854,NELAC-NY12058,NJDEP,PADEP	04/02/2019 10:08	04/02/2019 16:31	LLJ



### Sample Information

**Client Sample ID:** PD1-SB-102 (4.7-8.5') Grab

**York Sample ID:** 19C1272-13

York Project (SDG) No.

Client Project ID

Matrix

Collection Date/Time

Date Received

19C1272

1602600 Former Safety Kleen

Soil

March 28, 2019 12:43 pm

03/29/2019

**Volatile Organics, 8260 - Comprehensive**

**Log-in Notes:**

**Sample Notes:**

Sample Prepared by Method: EPA 5035A

CAS No.	Parameter	Result	Flag	Units	Reported to LOD/MDL	LOQ	Dilution	Reference Method	Date/Time Prepared	Date/Time Analyzed	Analyst
67-64-1	Acetone	5.5	J	ug/kg dry	4.3	8.7	1	EPA 8260C Certifications: CTDOH,NELAC-NY10854,NELAC-NY12058,NJDEP,PADEP	04/02/2019 10:08	04/02/2019 16:31	LLJ
107-02-8	Acrolein	ND		ug/kg dry	4.3	8.7	1	EPA 8260C Certifications: CTDOH,NELAC-NY10854,NELAC-NY12058,NJDEP,PADEP	04/02/2019 10:08	04/02/2019 16:31	LLJ
107-13-1	Acrylonitrile	ND		ug/kg dry	2.2	4.3	1	EPA 8260C Certifications: CTDOH,NELAC-NY10854,NELAC-NY12058,NJDEP,PADEP	04/02/2019 10:08	04/02/2019 16:31	LLJ
71-43-2	Benzene	ND		ug/kg dry	2.2	4.3	1	EPA 8260C Certifications: CTDOH,NELAC-NY10854,NELAC-NY12058,NJDEP,PADEP	04/02/2019 10:08	04/02/2019 16:31	LLJ
74-97-5	Bromochloromethane	ND		ug/kg dry	2.2	4.3	1	EPA 8260C Certifications: NELAC-NY10854,NELAC-NY12058,NJDEP,PADEP	04/02/2019 10:08	04/02/2019 16:31	LLJ
75-27-4	Bromodichloromethane	ND		ug/kg dry	2.2	4.3	1	EPA 8260C Certifications: CTDOH,NELAC-NY10854,NELAC-NY12058,NJDEP,PADEP	04/02/2019 10:08	04/02/2019 16:31	LLJ
75-25-2	Bromoform	ND		ug/kg dry	2.2	4.3	1	EPA 8260C Certifications: CTDOH,NELAC-NY10854,NELAC-NY12058,NJDEP,PADEP	04/02/2019 10:08	04/02/2019 16:31	LLJ
74-83-9	Bromomethane	ND		ug/kg dry	2.2	4.3	1	EPA 8260C Certifications: CTDOH,NELAC-NY10854,NELAC-NY12058,NJDEP,PADEP	04/02/2019 10:08	04/02/2019 16:31	LLJ
75-15-0	Carbon disulfide	ND		ug/kg dry	2.2	4.3	1	EPA 8260C Certifications: CTDOH,NELAC-NY10854,NELAC-NY12058,NJDEP,PADEP	04/02/2019 10:08	04/02/2019 16:31	LLJ
56-23-5	Carbon tetrachloride	ND		ug/kg dry	2.2	4.3	1	EPA 8260C Certifications: CTDOH,NELAC-NY10854,NELAC-NY12058,NJDEP,PADEP	04/02/2019 10:08	04/02/2019 16:31	LLJ
108-90-7	Chlorobenzene	ND		ug/kg dry	2.2	4.3	1	EPA 8260C Certifications: CTDOH,NELAC-NY10854,NELAC-NY12058,NJDEP,PADEP	04/02/2019 10:08	04/02/2019 16:31	LLJ
75-00-3	Chloroethane	ND		ug/kg dry	2.2	4.3	1	EPA 8260C Certifications: CTDOH,NELAC-NY10854,NELAC-NY12058,NJDEP,PADEP	04/02/2019 10:08	04/02/2019 16:31	LLJ
67-66-3	Chloroform	ND		ug/kg dry	2.2	4.3	1	EPA 8260C Certifications: CTDOH,NELAC-NY10854,NELAC-NY12058,NJDEP,PADEP	04/02/2019 10:08	04/02/2019 16:31	LLJ
74-87-3	Chloromethane	ND		ug/kg dry	2.2	4.3	1	EPA 8260C Certifications: CTDOH,NELAC-NY10854,NELAC-NY12058,NJDEP,PADEP	04/02/2019 10:08	04/02/2019 16:31	LLJ
156-59-2	cis-1,2-Dichloroethylene	ND		ug/kg dry	2.2	4.3	1	EPA 8260C Certifications: CTDOH,NELAC-NY10854,NELAC-NY12058,NJDEP,PADEP	04/02/2019 10:08	04/02/2019 16:31	LLJ
10061-01-5	cis-1,3-Dichloropropylene	ND		ug/kg dry	2.2	4.3	1	EPA 8260C Certifications: CTDOH,NELAC-NY10854,NELAC-NY12058,NJDEP,PADEP	04/02/2019 10:08	04/02/2019 16:31	LLJ
110-82-7	Cyclohexane	ND		ug/kg dry	2.2	4.3	1	EPA 8260C Certifications: NELAC-NY10854,NELAC-NY12058,NJDEP,PADEP	04/02/2019 10:08	04/02/2019 16:31	LLJ
124-48-1	Dibromochloromethane	ND		ug/kg dry	2.2	4.3	1	EPA 8260C Certifications: NELAC-NY10854,NELAC-NY12058,NJDEP,PADEP	04/02/2019 10:08	04/02/2019 16:31	LLJ
74-95-3	Dibromomethane	ND		ug/kg dry	2.2	4.3	1	EPA 8260C Certifications: NELAC-NY10854,NELAC-NY12058,NJDEP,PADEP	04/02/2019 10:08	04/02/2019 16:31	LLJ
75-71-8	Dichlorodifluoromethane	ND		ug/kg dry	2.2	4.3	1	EPA 8260C Certifications: NELAC-NY10854,NELAC-NY12058,NJDEP,PADEP	04/02/2019 10:08	04/02/2019 16:31	LLJ
100-41-4	Ethyl Benzene	ND		ug/kg dry	2.2	4.3	1	EPA 8260C Certifications: CTDOH,NELAC-NY10854,NELAC-NY12058,NJDEP,PADEP	04/02/2019 10:08	04/02/2019 16:31	LLJ
87-68-3	Hexachlorobutadiene	ND		ug/kg dry	2.2	4.3	1	EPA 8260C Certifications: NELAC-NY10854,NELAC-NY12058,NJDEP,PADEP	04/02/2019 10:08	04/02/2019 16:31	LLJ
98-82-8	Isopropylbenzene	ND		ug/kg dry	2.2	4.3	1	EPA 8260C Certifications: CTDOH,NELAC-NY10854,NELAC-NY12058,NJDEP,PADEP	04/02/2019 10:08	04/02/2019 16:31	LLJ



### Sample Information

**Client Sample ID:** PD1-SB-102 (4.7-8.5') Grab

**York Sample ID:** 19C1272-13

York Project (SDG) No.

Client Project ID

Matrix

Collection Date/Time

Date Received

19C1272

1602600 Former Safety Kleen

Soil

March 28, 2019 12:43 pm

03/29/2019

**Volatile Organics, 8260 - Comprehensive**

**Log-in Notes:**

**Sample Notes:**

Sample Prepared by Method: EPA 5035A

CAS No.	Parameter	Result	Flag	Units	Reported to LOD/MDL	LOQ	Dilution	Reference Method	Date/Time Prepared	Date/Time Analyzed	Analyst
79-20-9	Methyl acetate	ND		ug/kg dry	2.2	4.3	1	EPA 8260C Certifications: NELAC-NY10854,NELAC-NY12058,NJDEP,PADEP	04/02/2019 10:08	04/02/2019 16:31	LLJ
1634-04-4	Methyl tert-butyl ether (MTBE)	ND		ug/kg dry	2.2	4.3	1	EPA 8260C Certifications: CTDOH,NELAC-NY10854,NELAC-NY12058,NJDEP,PADEP	04/02/2019 10:08	04/02/2019 16:31	LLJ
108-87-2	Methylcyclohexane	ND		ug/kg dry	2.2	4.3	1	EPA 8260C Certifications: NELAC-NY10854,NELAC-NY12058,NJDEP,PADEP	04/02/2019 10:08	04/02/2019 16:31	LLJ
75-09-2	Methylene chloride	ND		ug/kg dry	4.3	8.7	1	EPA 8260C Certifications: CTDOH,NELAC-NY10854,NELAC-NY12058,NJDEP,PADEP	04/02/2019 10:08	04/02/2019 16:31	LLJ
104-51-8	n-Butylbenzene	ND		ug/kg dry	2.2	4.3	1	EPA 8260C Certifications: CTDOH,NELAC-NY10854,NELAC-NY12058,NJDEP,PADEP	04/02/2019 10:08	04/02/2019 16:31	LLJ
103-65-1	n-Propylbenzene	ND		ug/kg dry	2.2	4.3	1	EPA 8260C Certifications: CTDOH,NELAC-NY10854,NELAC-NY12058,NJDEP,PADEP	04/02/2019 10:08	04/02/2019 16:31	LLJ
95-47-6	o-Xylene	ND		ug/kg dry	2.2	4.3	1	EPA 8260C Certifications: CTDOH,NELAC-NY10854,NELAC-NY12058,PADEP	04/02/2019 10:08	04/02/2019 16:31	LLJ
179601-23-1	p- & m- Xylenes	ND		ug/kg dry	4.3	8.7	1	EPA 8260C Certifications: CTDOH,NELAC-NY10854,NELAC-NY12058,PADEP	04/02/2019 10:08	04/02/2019 16:31	LLJ
99-87-6	p-Isopropyltoluene	ND		ug/kg dry	2.2	4.3	1	EPA 8260C Certifications: CTDOH,NELAC-NY10854,NELAC-NY12058,NJDEP,PADEP	04/02/2019 10:08	04/02/2019 16:31	LLJ
135-98-8	sec-Butylbenzene	ND		ug/kg dry	2.2	4.3	1	EPA 8260C Certifications: CTDOH,NELAC-NY10854,NELAC-NY12058,NJDEP,PADEP	04/02/2019 10:08	04/02/2019 16:31	LLJ
100-42-5	Styrene	ND		ug/kg dry	2.2	4.3	1	EPA 8260C Certifications: CTDOH,NELAC-NY10854,NELAC-NY12058,NJDEP,PADEP	04/02/2019 10:08	04/02/2019 16:31	LLJ
75-65-0	tert-Butyl alcohol (TBA)	ND		ug/kg dry	2.2	4.3	1	EPA 8260C Certifications: NELAC-NY10854,NELAC-NY12058,NJDEP,PADEP	04/02/2019 10:08	04/02/2019 16:31	LLJ
98-06-6	tert-Butylbenzene	ND		ug/kg dry	2.2	4.3	1	EPA 8260C Certifications: CTDOH,NELAC-NY10854,NELAC-NY12058,NJDEP,PADEP	04/02/2019 10:08	04/02/2019 16:31	LLJ
127-18-4	<b>Tetrachloroethylene</b>	<b>470</b>	CCV-E, QL-02	ug/kg dry	220	430	100	EPA 8260C Certifications: CTDOH,NELAC-NY10854,NELAC-NY12058,NJDEP,PADEP	04/02/2019 10:08	04/04/2019 15:49	LLJ
108-88-3	Toluene	ND		ug/kg dry	2.2	4.3	1	EPA 8260C Certifications: CTDOH,NELAC-NY10854,NELAC-NY12058,NJDEP,PADEP	04/02/2019 10:08	04/02/2019 16:31	LLJ
156-60-5	trans-1,2-Dichloroethylene	ND		ug/kg dry	2.2	4.3	1	EPA 8260C Certifications: CTDOH,NELAC-NY10854,NELAC-NY12058,NJDEP,PADEP	04/02/2019 10:08	04/02/2019 16:31	LLJ
10061-02-6	trans-1,3-Dichloropropylene	ND		ug/kg dry	2.2	4.3	1	EPA 8260C Certifications: CTDOH,NELAC-NY10854,NELAC-NY12058,NJDEP,PADEP	04/02/2019 10:08	04/02/2019 16:31	LLJ
110-57-6	* trans-1,4-dichloro-2-butene	ND		ug/kg dry	2.2	4.3	1	EPA 8260C Certifications: CTDOH	04/02/2019 10:08	04/02/2019 16:31	LLJ
79-01-6	Trichloroethylene	ND		ug/kg dry	2.2	4.3	1	EPA 8260C Certifications: CTDOH,NELAC-NY10854,NELAC-NY12058,NJDEP,PADEP	04/02/2019 10:08	04/02/2019 16:31	LLJ
75-69-4	Trichlorofluoromethane	ND		ug/kg dry	2.2	4.3	1	EPA 8260C Certifications: CTDOH,NELAC-NY10854,NELAC-NY12058,NJDEP,PADEP	04/02/2019 10:08	04/02/2019 16:31	LLJ
75-01-4	Vinyl Chloride	ND		ug/kg dry	2.2	4.3	1	EPA 8260C Certifications: CTDOH,NELAC-NY10854,NELAC-NY12058,NJDEP,PADEP	04/02/2019 10:08	04/02/2019 16:31	LLJ
1330-20-7	Xylenes, Total	ND		ug/kg dry	6.5	13	1	EPA 8260C Certifications: CTDOH,NELAC-NY10854,NELAC-NY12058,NJDEP	04/02/2019 10:08	04/02/2019 16:31	LLJ
	<b>Surrogate Recoveries</b>	<b>Result</b>			<b>Acceptance Range</b>						
17060-07-0	Surrogate: SURR: 1,2-Dichloroethane-d4	121 %			77-125						



### Sample Information

**Client Sample ID:** PD1-SB-102 (4.7-8.5') Grab

**York Sample ID:** 19C1272-13

York Project (SDG) No.

Client Project ID

Matrix

Collection Date/Time

Date Received

19C1272

1602600 Former Safety Kleen

Soil

March 28, 2019 12:43 pm

03/29/2019

**Volatile Organics, 8260 - Comprehensive**

Log-in Notes:

Sample Notes:

Sample Prepared by Method: EPA 5035A

CAS No.	Parameter	Result	Flag	Units	Reported to LOD/MDL	LOQ	Dilution	Reference Method	Date/Time Prepared	Date/Time Analyzed	Analyst
2037-26-5	Surrogate: SURR: Toluene-d8	100 %			85-120						
460-00-4	Surrogate: SURR: p-Bromofluorobenzene	109 %			76-130						

**Total Solids**

Log-in Notes:

Sample Notes:

Sample Prepared by Method: % Solids Prep

CAS No.	Parameter	Result	Flag	Units	Reported to LOQ	Dilution	Reference Method	Date/Time Prepared	Date/Time Analyzed	Analyst
solids	* % Solids	88.6		%	0.100	1	SM 2540G Certifications: CTDOH	04/04/2019 11:00	04/05/2019 12:58	AS

### Sample Information

**Client Sample ID:** PD1-SB-102 (8.5-9.5') Grab

**York Sample ID:** 19C1272-14

York Project (SDG) No.

Client Project ID

Matrix

Collection Date/Time

Date Received

19C1272

1602600 Former Safety Kleen

Soil

March 28, 2019 12:55 pm

03/29/2019

**Volatile Organics, 8260 - Comprehensive**

Log-in Notes:

Sample Notes:

Sample Prepared by Method: EPA 5035A

CAS No.	Parameter	Result	Flag	Units	Reported to LOD/MDL	LOQ	Dilution	Reference Method	Date/Time Prepared	Date/Time Analyzed	Analyst
630-20-6	1,1,1,2-Tetrachloroethane	ND		ug/kg dry	2.4	4.8	1	EPA 8260C Certifications: CTDOH,NELAC-NY10854,NELAC-NY12058,NJDEP,PADEP	04/02/2019 10:08	04/02/2019 16:57	LLJ
71-55-6	1,1,1-Trichloroethane	ND		ug/kg dry	2.4	4.8	1	EPA 8260C Certifications: CTDOH,NELAC-NY10854,NELAC-NY12058,NJDEP,PADEP	04/02/2019 10:08	04/02/2019 16:57	LLJ
79-34-5	1,1,2,2-Tetrachloroethane	ND		ug/kg dry	2.4	4.8	1	EPA 8260C Certifications: CTDOH,NELAC-NY10854,NELAC-NY12058,NJDEP,PADEP	04/02/2019 10:08	04/02/2019 16:57	LLJ
76-13-1	1,1,2-Trichloro-1,2,2-trifluoroethane (Freon 113)	ND		ug/kg dry	2.4	4.8	1	EPA 8260C Certifications: CTDOH,NELAC-NY10854,NELAC-NY12058,NJDEP	04/02/2019 10:08	04/02/2019 16:57	LLJ
79-00-5	1,1,2-Trichloroethane	ND		ug/kg dry	2.4	4.8	1	EPA 8260C Certifications: CTDOH,NELAC-NY10854,NELAC-NY12058,NJDEP,PADEP	04/02/2019 10:08	04/02/2019 16:57	LLJ
75-34-3	1,1-Dichloroethane	ND		ug/kg dry	2.4	4.8	1	EPA 8260C Certifications: CTDOH,NELAC-NY10854,NELAC-NY12058,NJDEP,PADEP	04/02/2019 10:08	04/02/2019 16:57	LLJ
75-35-4	1,1-Dichloroethylene	ND		ug/kg dry	2.4	4.8	1	EPA 8260C Certifications: CTDOH,NELAC-NY10854,NELAC-NY12058,NJDEP,PADEP	04/02/2019 10:08	04/02/2019 16:57	LLJ
87-61-6	1,2,3-Trichlorobenzene	ND		ug/kg dry	2.4	4.8	1	EPA 8260C Certifications: NELAC-NY10854,NELAC-NY12058,NJDEP,PADEP	04/02/2019 10:08	04/02/2019 16:57	LLJ
96-18-4	1,2,3-Trichloropropane	ND		ug/kg dry	2.4	4.8	1	EPA 8260C Certifications: NELAC-NY10854,NELAC-NY12058,NJDEP	04/02/2019 10:08	04/02/2019 16:57	LLJ
120-82-1	1,2,4-Trichlorobenzene	ND		ug/kg dry	2.4	4.8	1	EPA 8260C Certifications: NELAC-NY10854,NELAC-NY12058,NJDEP,PADEP	04/02/2019 10:08	04/02/2019 16:57	LLJ



### Sample Information

**Client Sample ID:** PD1-SB-102 (8.5-9.5') Grab

**York Sample ID:** 19C1272-14

York Project (SDG) No.

Client Project ID

Matrix

Collection Date/Time

Date Received

19C1272

1602600 Former Safety Kleen

Soil

March 28, 2019 12:55 pm

03/29/2019

**Volatile Organics, 8260 - Comprehensive**

**Log-in Notes:**

**Sample Notes:**

Sample Prepared by Method: EPA 5035A

CAS No.	Parameter	Result	Flag	Units	Reported to LOD/MDL	LOQ	Dilution	Reference Method	Date/Time Prepared	Date/Time Analyzed	Analyst
95-63-6	1,2,4-Trimethylbenzene	ND		ug/kg dry	2.4	4.8	1	EPA 8260C Certifications: CTDOH,NELAC-NY10854,NELAC-NY12058,NJDEP,PADEP	04/02/2019 10:08	04/02/2019 16:57	LLJ
96-12-8	1,2-Dibromo-3-chloropropane	ND		ug/kg dry	2.4	4.8	1	EPA 8260C Certifications: CTDOH,NELAC-NY10854,NELAC-NY12058,NJDEP,PADEP	04/02/2019 10:08	04/02/2019 16:57	LLJ
106-93-4	1,2-Dibromoethane	ND		ug/kg dry	2.4	4.8	1	EPA 8260C Certifications: CTDOH,NELAC-NY10854,NELAC-NY12058,NJDEP,PADEP	04/02/2019 10:08	04/02/2019 16:57	LLJ
95-50-1	1,2-Dichlorobenzene	ND		ug/kg dry	2.4	4.8	1	EPA 8260C Certifications: CTDOH,NELAC-NY10854,NELAC-NY12058,NJDEP,PADEP	04/02/2019 10:08	04/02/2019 16:57	LLJ
107-06-2	1,2-Dichloroethane	ND		ug/kg dry	2.4	4.8	1	EPA 8260C Certifications: CTDOH,NELAC-NY10854,NELAC-NY12058,NJDEP,PADEP	04/02/2019 10:08	04/02/2019 16:57	LLJ
78-87-5	1,2-Dichloropropane	ND		ug/kg dry	2.4	4.8	1	EPA 8260C Certifications: CTDOH,NELAC-NY10854,NELAC-NY12058,NJDEP,PADEP	04/02/2019 10:08	04/02/2019 16:57	LLJ
108-67-8	1,3,5-Trimethylbenzene	ND		ug/kg dry	2.4	4.8	1	EPA 8260C Certifications: CTDOH,NELAC-NY10854,NELAC-NY12058,NJDEP,PADEP	04/02/2019 10:08	04/02/2019 16:57	LLJ
541-73-1	1,3-Dichlorobenzene	ND		ug/kg dry	2.4	4.8	1	EPA 8260C Certifications: CTDOH,NELAC-NY10854,NELAC-NY12058,NJDEP,PADEP	04/02/2019 10:08	04/02/2019 16:57	LLJ
106-46-7	1,4-Dichlorobenzene	ND		ug/kg dry	2.4	4.8	1	EPA 8260C Certifications: CTDOH,NELAC-NY10854,NELAC-NY12058,NJDEP,PADEP	04/02/2019 10:08	04/02/2019 16:57	LLJ
123-91-1	1,4-Dioxane	ND		ug/kg dry	48	95	1	EPA 8260C Certifications: NELAC-NY10854,NELAC-NY12058,NJDEP,PADEP	04/02/2019 10:08	04/02/2019 16:57	LLJ
78-93-3	2-Butanone	ND		ug/kg dry	2.4	4.8	1	EPA 8260C Certifications: CTDOH,NELAC-NY10854,NELAC-NY12058,NJDEP,PADEP	04/02/2019 10:08	04/02/2019 16:57	LLJ
591-78-6	2-Hexanone	ND		ug/kg dry	2.4	4.8	1	EPA 8260C Certifications: CTDOH,NELAC-NY10854,NELAC-NY12058,NJDEP,PADEP	04/02/2019 10:08	04/02/2019 16:57	LLJ
108-10-1	4-Methyl-2-pentanone	ND		ug/kg dry	2.4	4.8	1	EPA 8260C Certifications: CTDOH,NELAC-NY10854,NELAC-NY12058,NJDEP,PADEP	04/02/2019 10:08	04/02/2019 16:57	LLJ
67-64-1	<b>Acetone</b>	<b>10</b>		ug/kg dry	4.8	9.5	1	EPA 8260C Certifications: CTDOH,NELAC-NY10854,NELAC-NY12058,NJDEP,PADEP	04/02/2019 10:08	04/02/2019 16:57	LLJ
107-02-8	Acrolein	ND		ug/kg dry	4.8	9.5	1	EPA 8260C Certifications: CTDOH,NELAC-NY10854,NELAC-NY12058,NJDEP,PADEP	04/02/2019 10:08	04/02/2019 16:57	LLJ
107-13-1	Acrylonitrile	ND		ug/kg dry	2.4	4.8	1	EPA 8260C Certifications: CTDOH,NELAC-NY10854,NELAC-NY12058,NJDEP,PADEP	04/02/2019 10:08	04/02/2019 16:57	LLJ
71-43-2	Benzene	ND		ug/kg dry	2.4	4.8	1	EPA 8260C Certifications: CTDOH,NELAC-NY10854,NELAC-NY12058,NJDEP,PADEP	04/02/2019 10:08	04/02/2019 16:57	LLJ
74-97-5	Bromochloromethane	ND		ug/kg dry	2.4	4.8	1	EPA 8260C Certifications: NELAC-NY10854,NELAC-NY12058,NJDEP,PADEP	04/02/2019 10:08	04/02/2019 16:57	LLJ
75-27-4	Bromodichloromethane	ND		ug/kg dry	2.4	4.8	1	EPA 8260C Certifications: CTDOH,NELAC-NY10854,NELAC-NY12058,NJDEP,PADEP	04/02/2019 10:08	04/02/2019 16:57	LLJ
75-25-2	Bromoform	ND		ug/kg dry	2.4	4.8	1	EPA 8260C Certifications: CTDOH,NELAC-NY10854,NELAC-NY12058,NJDEP,PADEP	04/02/2019 10:08	04/02/2019 16:57	LLJ
74-83-9	Bromomethane	ND		ug/kg dry	2.4	4.8	1	EPA 8260C Certifications: CTDOH,NELAC-NY10854,NELAC-NY12058,NJDEP,PADEP	04/02/2019 10:08	04/02/2019 16:57	LLJ
75-15-0	Carbon disulfide	ND		ug/kg dry	2.4	4.8	1	EPA 8260C Certifications: CTDOH,NELAC-NY10854,NELAC-NY12058,NJDEP,PADEP	04/02/2019 10:08	04/02/2019 16:57	LLJ
56-23-5	Carbon tetrachloride	ND		ug/kg dry	2.4	4.8	1	EPA 8260C Certifications: CTDOH,NELAC-NY10854,NELAC-NY12058,NJDEP,PADEP	04/02/2019 10:08	04/02/2019 16:57	LLJ



### Sample Information

**Client Sample ID:** PD1-SB-102 (8.5-9.5') Grab

**York Sample ID:** 19C1272-14

York Project (SDG) No.

Client Project ID

Matrix

Collection Date/Time

Date Received

19C1272

1602600 Former Safety Kleen

Soil

March 28, 2019 12:55 pm

03/29/2019

**Volatile Organics, 8260 - Comprehensive**

**Log-in Notes:**

**Sample Notes:**

Sample Prepared by Method: EPA 5035A

CAS No.	Parameter	Result	Flag	Units	Reported to LOD/MDL	LOQ	Dilution	Reference Method	Date/Time Prepared	Date/Time Analyzed	Analyst
108-90-7	Chlorobenzene	ND		ug/kg dry	2.4	4.8	1	EPA 8260C Certifications: CTDOH,NELAC-NY10854,NELAC-NY12058,NJDEP,PADEP	04/02/2019 10:08	04/02/2019 16:57	LLJ
75-00-3	Chloroethane	ND		ug/kg dry	2.4	4.8	1	EPA 8260C Certifications: CTDOH,NELAC-NY10854,NELAC-NY12058,NJDEP,PADEP	04/02/2019 10:08	04/02/2019 16:57	LLJ
67-66-3	Chloroform	ND		ug/kg dry	2.4	4.8	1	EPA 8260C Certifications: CTDOH,NELAC-NY10854,NELAC-NY12058,NJDEP,PADEP	04/02/2019 10:08	04/02/2019 16:57	LLJ
74-87-3	Chloromethane	ND		ug/kg dry	2.4	4.8	1	EPA 8260C Certifications: CTDOH,NELAC-NY10854,NELAC-NY12058,NJDEP,PADEP	04/02/2019 10:08	04/02/2019 16:57	LLJ
156-59-2	cis-1,2-Dichloroethylene	ND		ug/kg dry	2.4	4.8	1	EPA 8260C Certifications: CTDOH,NELAC-NY10854,NELAC-NY12058,NJDEP,PADEP	04/02/2019 10:08	04/02/2019 16:57	LLJ
10061-01-5	cis-1,3-Dichloropropylene	ND		ug/kg dry	2.4	4.8	1	EPA 8260C Certifications: CTDOH,NELAC-NY10854,NELAC-NY12058,NJDEP,PADEP	04/02/2019 10:08	04/02/2019 16:57	LLJ
110-82-7	Cyclohexane	ND		ug/kg dry	2.4	4.8	1	EPA 8260C Certifications: NELAC-NY10854,NELAC-NY12058,NJDEP,PADEP	04/02/2019 10:08	04/02/2019 16:57	LLJ
124-48-1	Dibromochloromethane	ND		ug/kg dry	2.4	4.8	1	EPA 8260C Certifications: NELAC-NY10854,NELAC-NY12058,NJDEP,PADEP	04/02/2019 10:08	04/02/2019 16:57	LLJ
74-95-3	Dibromomethane	ND		ug/kg dry	2.4	4.8	1	EPA 8260C Certifications: NELAC-NY10854,NELAC-NY12058,NJDEP,PADEP	04/02/2019 10:08	04/02/2019 16:57	LLJ
75-71-8	Dichlorodifluoromethane	ND		ug/kg dry	2.4	4.8	1	EPA 8260C Certifications: NELAC-NY10854,NELAC-NY12058,NJDEP,PADEP	04/02/2019 10:08	04/02/2019 16:57	LLJ
100-41-4	Ethyl Benzene	ND		ug/kg dry	2.4	4.8	1	EPA 8260C Certifications: CTDOH,NELAC-NY10854,NELAC-NY12058,NJDEP,PADEP	04/02/2019 10:08	04/02/2019 16:57	LLJ
87-68-3	Hexachlorobutadiene	ND		ug/kg dry	2.4	4.8	1	EPA 8260C Certifications: NELAC-NY10854,NELAC-NY12058,NJDEP,PADEP	04/02/2019 10:08	04/02/2019 16:57	LLJ
98-82-8	Isopropylbenzene	ND		ug/kg dry	2.4	4.8	1	EPA 8260C Certifications: CTDOH,NELAC-NY10854,NELAC-NY12058,NJDEP,PADEP	04/02/2019 10:08	04/02/2019 16:57	LLJ
79-20-9	Methyl acetate	ND		ug/kg dry	2.4	4.8	1	EPA 8260C Certifications: NELAC-NY10854,NELAC-NY12058,NJDEP,PADEP	04/02/2019 10:08	04/02/2019 16:57	LLJ
1634-04-4	Methyl tert-butyl ether (MTBE)	ND		ug/kg dry	2.4	4.8	1	EPA 8260C Certifications: CTDOH,NELAC-NY10854,NELAC-NY12058,NJDEP,PADEP	04/02/2019 10:08	04/02/2019 16:57	LLJ
108-87-2	Methylcyclohexane	ND		ug/kg dry	2.4	4.8	1	EPA 8260C Certifications: NELAC-NY10854,NELAC-NY12058,NJDEP,PADEP	04/02/2019 10:08	04/02/2019 16:57	LLJ
75-09-2	Methylene chloride	ND		ug/kg dry	4.8	9.5	1	EPA 8260C Certifications: CTDOH,NELAC-NY10854,NELAC-NY12058,NJDEP,PADEP	04/02/2019 10:08	04/02/2019 16:57	LLJ
104-51-8	n-Butylbenzene	ND		ug/kg dry	2.4	4.8	1	EPA 8260C Certifications: CTDOH,NELAC-NY10854,NELAC-NY12058,NJDEP,PADEP	04/02/2019 10:08	04/02/2019 16:57	LLJ
103-65-1	n-Propylbenzene	ND		ug/kg dry	2.4	4.8	1	EPA 8260C Certifications: CTDOH,NELAC-NY10854,NELAC-NY12058,NJDEP,PADEP	04/02/2019 10:08	04/02/2019 16:57	LLJ
95-47-6	o-Xylene	ND		ug/kg dry	2.4	4.8	1	EPA 8260C Certifications: CTDOH,NELAC-NY10854,NELAC-NY12058,NJDEP,PADEP	04/02/2019 10:08	04/02/2019 16:57	LLJ
179601-23-1	p- & m- Xylenes	ND		ug/kg dry	4.8	9.5	1	EPA 8260C Certifications: CTDOH,NELAC-NY10854,NELAC-NY12058,NJDEP,PADEP	04/02/2019 10:08	04/02/2019 16:57	LLJ
99-87-6	p-Isopropyltoluene	ND		ug/kg dry	2.4	4.8	1	EPA 8260C Certifications: CTDOH,NELAC-NY10854,NELAC-NY12058,NJDEP,PADEP	04/02/2019 10:08	04/02/2019 16:57	LLJ
135-98-8	sec-Butylbenzene	ND		ug/kg dry	2.4	4.8	1	EPA 8260C Certifications: CTDOH,NELAC-NY10854,NELAC-NY12058,NJDEP,PADEP	04/02/2019 10:08	04/02/2019 16:57	LLJ



### Sample Information

**Client Sample ID:** PD1-SB-102 (8.5-9.5') Grab

**York Sample ID:** 19C1272-14

York Project (SDG) No.

Client Project ID

Matrix

Collection Date/Time

Date Received

19C1272

1602600 Former Safety Kleen

Soil

March 28, 2019 12:55 pm

03/29/2019

**Volatile Organics, 8260 - Comprehensive**

**Log-in Notes:**

**Sample Notes:**

Sample Prepared by Method: EPA 5035A

CAS No.	Parameter	Result	Flag	Units	Reported to LOD/MDL	LOQ	Dilution	Reference Method	Date/Time Prepared	Date/Time Analyzed	Analyst
100-42-5	Styrene	ND		ug/kg dry	2.4	4.8	1	EPA 8260C Certifications: CTDOH,NELAC-NY10854,NELAC-NY12058,NJDEP,PADEP	04/02/2019 10:08	04/02/2019 16:57	LLJ
75-65-0	tert-Butyl alcohol (TBA)	ND		ug/kg dry	2.4	4.8	1	EPA 8260C Certifications: NELAC-NY10854,NELAC-NY12058,NJDEP,PADEP	04/02/2019 10:08	04/02/2019 16:57	LLJ
98-06-6	tert-Butylbenzene	ND		ug/kg dry	2.4	4.8	1	EPA 8260C Certifications: CTDOH,NELAC-NY10854,NELAC-NY12058,NJDEP,PADEP	04/02/2019 10:08	04/02/2019 16:57	LLJ
127-18-4	<b>Tetrachloroethylene</b>	<b>12000</b>	CCV-E, QL-02	ug/kg dry	2400	4800	1000	EPA 8260C Certifications: CTDOH,NELAC-NY10854,NELAC-NY12058,NJDEP,PADEP	04/02/2019 10:08	04/04/2019 16:17	LLJ
108-88-3	Toluene	ND		ug/kg dry	2.4	4.8	1	EPA 8260C Certifications: CTDOH,NELAC-NY10854,NELAC-NY12058,NJDEP,PADEP	04/02/2019 10:08	04/02/2019 16:57	LLJ
156-60-5	trans-1,2-Dichloroethylene	ND		ug/kg dry	2.4	4.8	1	EPA 8260C Certifications: CTDOH,NELAC-NY10854,NELAC-NY12058,NJDEP,PADEP	04/02/2019 10:08	04/02/2019 16:57	LLJ
10061-02-6	trans-1,3-Dichloropropylene	ND		ug/kg dry	2.4	4.8	1	EPA 8260C Certifications: CTDOH,NELAC-NY10854,NELAC-NY12058,NJDEP,PADEP	04/02/2019 10:08	04/02/2019 16:57	LLJ
110-57-6	* trans-1,4-dichloro-2-butene	ND		ug/kg dry	2.4	4.8	1	EPA 8260C Certifications: CTDOH	04/02/2019 10:08	04/02/2019 16:57	LLJ
79-01-6	Trichloroethylene	ND		ug/kg dry	2.4	4.8	1	EPA 8260C Certifications: CTDOH,NELAC-NY10854,NELAC-NY12058,NJDEP,PADEP	04/02/2019 10:08	04/02/2019 16:57	LLJ
75-69-4	Trichlorofluoromethane	ND		ug/kg dry	2.4	4.8	1	EPA 8260C Certifications: CTDOH,NELAC-NY10854,NELAC-NY12058,NJDEP,PADEP	04/02/2019 10:08	04/02/2019 16:57	LLJ
75-01-4	Vinyl Chloride	ND		ug/kg dry	2.4	4.8	1	EPA 8260C Certifications: CTDOH,NELAC-NY10854,NELAC-NY12058,NJDEP,PADEP	04/02/2019 10:08	04/02/2019 16:57	LLJ
1330-20-7	Xylenes, Total	ND		ug/kg dry	7.1	14	1	EPA 8260C Certifications: CTDOH,NELAC-NY10854,NELAC-NY12058,NJDEP	04/02/2019 10:08	04/02/2019 16:57	LLJ
<b>Surrogate Recoveries</b>		<b>Result</b>	<b>Acceptance Range</b>								
17060-07-0	Surrogate: SURR: 1,2-Dichloroethane-d4	114 %	77-125								
2037-26-5	Surrogate: SURR: Toluene-d8	99.5 %	85-120								
460-00-4	Surrogate: SURR: p-Bromofluorobenzene	110 %	76-130								

**Total Solids**

**Log-in Notes:**

**Sample Notes:**

Sample Prepared by Method: % Solids Prep

CAS No.	Parameter	Result	Flag	Units	Reported to LOQ	Dilution	Reference Method	Date/Time Prepared	Date/Time Analyzed	Analyst
solids	* % Solids	87.6		%	0.100	1	SM 2540G Certifications: CTDOH	04/04/2019 11:00	04/05/2019 12:58	AS

### Sample Information

**Client Sample ID:** PD1-SB-102 (9.5-12') Grab

**York Sample ID:** 19C1272-15

York Project (SDG) No.

Client Project ID

Matrix

Collection Date/Time

Date Received

19C1272

1602600 Former Safety Kleen

Soil

March 28, 2019 1:00 pm

03/29/2019





### Sample Information

**Client Sample ID:** PD1-SB-102 (9.5-12') Grab

**York Sample ID:** 19C1272-15

York Project (SDG) No.

Client Project ID

Matrix

Collection Date/Time

Date Received

19C1272

1602600 Former Safety Kleen

Soil

March 28, 2019 1:00 pm

03/29/2019

**Volatile Organics, 8260 - Comprehensive**

**Log-in Notes:**

**Sample Notes:**

Sample Prepared by Method: EPA 5035A

CAS No.	Parameter	Result	Flag	Units	Reported to LOD/MDL	LOQ	Dilution	Reference Method	Date/Time Prepared	Date/Time Analyzed	Analyst
630-20-6	1,1,1,2-Tetrachloroethane	ND		ug/kg dry	2.2	4.5	1	EPA 8260C Certifications: CTDOH,NELAC-NY10854,NELAC-NY12058,NJDEP,PADEP	04/02/2019 10:08	04/02/2019 17:24	LLJ
71-55-6	1,1,1-Trichloroethane	ND		ug/kg dry	2.2	4.5	1	EPA 8260C Certifications: CTDOH,NELAC-NY10854,NELAC-NY12058,NJDEP,PADEP	04/02/2019 10:08	04/02/2019 17:24	LLJ
79-34-5	1,1,2,2-Tetrachloroethane	ND		ug/kg dry	2.2	4.5	1	EPA 8260C Certifications: CTDOH,NELAC-NY10854,NELAC-NY12058,NJDEP,PADEP	04/02/2019 10:08	04/02/2019 17:24	LLJ
76-13-1	1,1,2-Trichloro-1,2,2-trifluoroethane (Freon 113)	ND		ug/kg dry	2.2	4.5	1	EPA 8260C Certifications: CTDOH,NELAC-NY10854,NELAC-NY12058,NJDEP	04/02/2019 10:08	04/02/2019 17:24	LLJ
79-00-5	1,1,2-Trichloroethane	ND		ug/kg dry	2.2	4.5	1	EPA 8260C Certifications: CTDOH,NELAC-NY10854,NELAC-NY12058,NJDEP,PADEP	04/02/2019 10:08	04/02/2019 17:24	LLJ
75-34-3	1,1-Dichloroethane	ND		ug/kg dry	2.2	4.5	1	EPA 8260C Certifications: CTDOH,NELAC-NY10854,NELAC-NY12058,NJDEP,PADEP	04/02/2019 10:08	04/02/2019 17:24	LLJ
75-35-4	1,1-Dichloroethylene	ND		ug/kg dry	2.2	4.5	1	EPA 8260C Certifications: CTDOH,NELAC-NY10854,NELAC-NY12058,NJDEP,PADEP	04/02/2019 10:08	04/02/2019 17:24	LLJ
87-61-6	1,2,3-Trichlorobenzene	ND		ug/kg dry	2.2	4.5	1	EPA 8260C Certifications: NELAC-NY10854,NELAC-NY12058,NJDEP,PADEP	04/02/2019 10:08	04/02/2019 17:24	LLJ
96-18-4	1,2,3-Trichloropropane	ND		ug/kg dry	2.2	4.5	1	EPA 8260C Certifications: NELAC-NY10854,NELAC-NY12058,NJDEP	04/02/2019 10:08	04/02/2019 17:24	LLJ
120-82-1	1,2,4-Trichlorobenzene	ND		ug/kg dry	2.2	4.5	1	EPA 8260C Certifications: NELAC-NY10854,NELAC-NY12058,NJDEP,PADEP	04/02/2019 10:08	04/02/2019 17:24	LLJ
95-63-6	1,2,4-Trimethylbenzene	ND		ug/kg dry	2.2	4.5	1	EPA 8260C Certifications: CTDOH,NELAC-NY10854,NELAC-NY12058,NJDEP,PADEP	04/02/2019 10:08	04/02/2019 17:24	LLJ
96-12-8	1,2-Dibromo-3-chloropropane	ND		ug/kg dry	2.2	4.5	1	EPA 8260C Certifications: CTDOH,NELAC-NY10854,NELAC-NY12058,NJDEP,PADEP	04/02/2019 10:08	04/02/2019 17:24	LLJ
106-93-4	1,2-Dibromoethane	ND		ug/kg dry	2.2	4.5	1	EPA 8260C Certifications: CTDOH,NELAC-NY10854,NELAC-NY12058,NJDEP,PADEP	04/02/2019 10:08	04/02/2019 17:24	LLJ
95-50-1	1,2-Dichlorobenzene	ND		ug/kg dry	2.2	4.5	1	EPA 8260C Certifications: CTDOH,NELAC-NY10854,NELAC-NY12058,NJDEP,PADEP	04/02/2019 10:08	04/02/2019 17:24	LLJ
107-06-2	1,2-Dichloroethane	ND		ug/kg dry	2.2	4.5	1	EPA 8260C Certifications: CTDOH,NELAC-NY10854,NELAC-NY12058,NJDEP,PADEP	04/02/2019 10:08	04/02/2019 17:24	LLJ
78-87-5	1,2-Dichloropropane	ND		ug/kg dry	2.2	4.5	1	EPA 8260C Certifications: CTDOH,NELAC-NY10854,NELAC-NY12058,NJDEP,PADEP	04/02/2019 10:08	04/02/2019 17:24	LLJ
108-67-8	1,3,5-Trimethylbenzene	ND		ug/kg dry	2.2	4.5	1	EPA 8260C Certifications: CTDOH,NELAC-NY10854,NELAC-NY12058,NJDEP,PADEP	04/02/2019 10:08	04/02/2019 17:24	LLJ
541-73-1	1,3-Dichlorobenzene	ND		ug/kg dry	2.2	4.5	1	EPA 8260C Certifications: CTDOH,NELAC-NY10854,NELAC-NY12058,NJDEP,PADEP	04/02/2019 10:08	04/02/2019 17:24	LLJ
106-46-7	1,4-Dichlorobenzene	ND		ug/kg dry	2.2	4.5	1	EPA 8260C Certifications: CTDOH,NELAC-NY10854,NELAC-NY12058,NJDEP,PADEP	04/02/2019 10:08	04/02/2019 17:24	LLJ
123-91-1	1,4-Dioxane	ND		ug/kg dry	45	90	1	EPA 8260C Certifications: NELAC-NY10854,NELAC-NY12058,NJDEP,PADEP	04/02/2019 10:08	04/02/2019 17:24	LLJ
78-93-3	2-Butanone	ND		ug/kg dry	2.2	4.5	1	EPA 8260C Certifications: CTDOH,NELAC-NY10854,NELAC-NY12058,NJDEP,PADEP	04/02/2019 10:08	04/02/2019 17:24	LLJ
591-78-6	2-Hexanone	ND		ug/kg dry	2.2	4.5	1	EPA 8260C Certifications: CTDOH,NELAC-NY10854,NELAC-NY12058,NJDEP,PADEP	04/02/2019 10:08	04/02/2019 17:24	LLJ
108-10-1	4-Methyl-2-pentanone	ND		ug/kg dry	2.2	4.5	1	EPA 8260C Certifications: CTDOH,NELAC-NY10854,NELAC-NY12058,NJDEP,PADEP	04/02/2019 10:08	04/02/2019 17:24	LLJ



### Sample Information

**Client Sample ID:** PD1-SB-102 (9.5-12') Grab

**York Sample ID:** 19C1272-15

York Project (SDG) No.

Client Project ID

Matrix

Collection Date/Time

Date Received

19C1272

1602600 Former Safety Kleen

Soil

March 28, 2019 1:00 pm

03/29/2019

**Volatile Organics, 8260 - Comprehensive**

**Log-in Notes:**

**Sample Notes:**

Sample Prepared by Method: EPA 5035A

CAS No.	Parameter	Result	Flag	Units	Reported to LOD/MDL	LOQ	Dilution	Reference Method	Date/Time Prepared	Date/Time Analyzed	Analyst
67-64-1	Acetone	ND		ug/kg dry	4.5	9.0	1	EPA 8260C Certifications: CTDOH,NELAC-NY10854,NELAC-NY12058,NJDEP,PADEP	04/02/2019 10:08	04/02/2019 17:24	LLJ
107-02-8	Acrolein	ND		ug/kg dry	4.5	9.0	1	EPA 8260C Certifications: CTDOH,NELAC-NY10854,NELAC-NY12058,NJDEP,PADEP	04/02/2019 10:08	04/02/2019 17:24	LLJ
107-13-1	Acrylonitrile	ND		ug/kg dry	2.2	4.5	1	EPA 8260C Certifications: CTDOH,NELAC-NY10854,NELAC-NY12058,NJDEP,PADEP	04/02/2019 10:08	04/02/2019 17:24	LLJ
71-43-2	Benzene	ND		ug/kg dry	2.2	4.5	1	EPA 8260C Certifications: CTDOH,NELAC-NY10854,NELAC-NY12058,NJDEP,PADEP	04/02/2019 10:08	04/02/2019 17:24	LLJ
74-97-5	Bromochloromethane	ND		ug/kg dry	2.2	4.5	1	EPA 8260C Certifications: NELAC-NY10854,NELAC-NY12058,NJDEP,PADEP	04/02/2019 10:08	04/02/2019 17:24	LLJ
75-27-4	Bromodichloromethane	ND		ug/kg dry	2.2	4.5	1	EPA 8260C Certifications: CTDOH,NELAC-NY10854,NELAC-NY12058,NJDEP,PADEP	04/02/2019 10:08	04/02/2019 17:24	LLJ
75-25-2	Bromoform	ND		ug/kg dry	2.2	4.5	1	EPA 8260C Certifications: CTDOH,NELAC-NY10854,NELAC-NY12058,NJDEP,PADEP	04/02/2019 10:08	04/02/2019 17:24	LLJ
74-83-9	Bromomethane	ND		ug/kg dry	2.2	4.5	1	EPA 8260C Certifications: CTDOH,NELAC-NY10854,NELAC-NY12058,NJDEP,PADEP	04/02/2019 10:08	04/02/2019 17:24	LLJ
75-15-0	Carbon disulfide	ND		ug/kg dry	2.2	4.5	1	EPA 8260C Certifications: CTDOH,NELAC-NY10854,NELAC-NY12058,NJDEP,PADEP	04/02/2019 10:08	04/02/2019 17:24	LLJ
56-23-5	Carbon tetrachloride	ND		ug/kg dry	2.2	4.5	1	EPA 8260C Certifications: CTDOH,NELAC-NY10854,NELAC-NY12058,NJDEP,PADEP	04/02/2019 10:08	04/02/2019 17:24	LLJ
108-90-7	Chlorobenzene	ND		ug/kg dry	2.2	4.5	1	EPA 8260C Certifications: CTDOH,NELAC-NY10854,NELAC-NY12058,NJDEP,PADEP	04/02/2019 10:08	04/02/2019 17:24	LLJ
75-00-3	Chloroethane	ND		ug/kg dry	2.2	4.5	1	EPA 8260C Certifications: CTDOH,NELAC-NY10854,NELAC-NY12058,NJDEP,PADEP	04/02/2019 10:08	04/02/2019 17:24	LLJ
67-66-3	Chloroform	ND		ug/kg dry	2.2	4.5	1	EPA 8260C Certifications: CTDOH,NELAC-NY10854,NELAC-NY12058,NJDEP,PADEP	04/02/2019 10:08	04/02/2019 17:24	LLJ
74-87-3	Chloromethane	ND		ug/kg dry	2.2	4.5	1	EPA 8260C Certifications: CTDOH,NELAC-NY10854,NELAC-NY12058,NJDEP,PADEP	04/02/2019 10:08	04/02/2019 17:24	LLJ
156-59-2	cis-1,2-Dichloroethylene	ND		ug/kg dry	2.2	4.5	1	EPA 8260C Certifications: CTDOH,NELAC-NY10854,NELAC-NY12058,NJDEP,PADEP	04/02/2019 10:08	04/02/2019 17:24	LLJ
10061-01-5	cis-1,3-Dichloropropylene	ND		ug/kg dry	2.2	4.5	1	EPA 8260C Certifications: CTDOH,NELAC-NY10854,NELAC-NY12058,NJDEP,PADEP	04/02/2019 10:08	04/02/2019 17:24	LLJ
110-82-7	Cyclohexane	ND		ug/kg dry	2.2	4.5	1	EPA 8260C Certifications: NELAC-NY10854,NELAC-NY12058,NJDEP,PADEP	04/02/2019 10:08	04/02/2019 17:24	LLJ
124-48-1	Dibromochloromethane	ND		ug/kg dry	2.2	4.5	1	EPA 8260C Certifications: NELAC-NY10854,NELAC-NY12058,NJDEP,PADEP	04/02/2019 10:08	04/02/2019 17:24	LLJ
74-95-3	Dibromomethane	ND		ug/kg dry	2.2	4.5	1	EPA 8260C Certifications: NELAC-NY10854,NELAC-NY12058,NJDEP,PADEP	04/02/2019 10:08	04/02/2019 17:24	LLJ
75-71-8	Dichlorodifluoromethane	ND		ug/kg dry	2.2	4.5	1	EPA 8260C Certifications: NELAC-NY10854,NELAC-NY12058,NJDEP,PADEP	04/02/2019 10:08	04/02/2019 17:24	LLJ
100-41-4	Ethyl Benzene	ND		ug/kg dry	2.2	4.5	1	EPA 8260C Certifications: CTDOH,NELAC-NY10854,NELAC-NY12058,NJDEP,PADEP	04/02/2019 10:08	04/02/2019 17:24	LLJ
87-68-3	Hexachlorobutadiene	ND		ug/kg dry	2.2	4.5	1	EPA 8260C Certifications: NELAC-NY10854,NELAC-NY12058,NJDEP,PADEP	04/02/2019 10:08	04/02/2019 17:24	LLJ
98-82-8	Isopropylbenzene	ND		ug/kg dry	2.2	4.5	1	EPA 8260C Certifications: CTDOH,NELAC-NY10854,NELAC-NY12058,NJDEP,PADEP	04/02/2019 10:08	04/02/2019 17:24	LLJ



### Sample Information

**Client Sample ID:** PD1-SB-102 (9.5-12') Grab

**York Sample ID:** 19C1272-15

York Project (SDG) No.

Client Project ID

Matrix

Collection Date/Time

Date Received

19C1272

1602600 Former Safety Kleen

Soil

March 28, 2019 1:00 pm

03/29/2019

**Volatile Organics, 8260 - Comprehensive**

**Log-in Notes:**

**Sample Notes:**

Sample Prepared by Method: EPA 5035A

CAS No.	Parameter	Result	Flag	Units	Reported to LOD/MDL	LOQ	Dilution	Reference Method	Date/Time Prepared	Date/Time Analyzed	Analyst
79-20-9	Methyl acetate	ND		ug/kg dry	2.2	4.5	1	EPA 8260C Certifications: NELAC-NY10854,NELAC-NY12058,NJDEP,PADEP	04/02/2019 10:08	04/02/2019 17:24	LLJ
1634-04-4	Methyl tert-butyl ether (MTBE)	ND		ug/kg dry	2.2	4.5	1	EPA 8260C Certifications: CTDOH,NELAC-NY10854,NELAC-NY12058,NJDEP,PADEP	04/02/2019 10:08	04/02/2019 17:24	LLJ
108-87-2	Methylcyclohexane	ND		ug/kg dry	2.2	4.5	1	EPA 8260C Certifications: NELAC-NY10854,NELAC-NY12058,NJDEP,PADEP	04/02/2019 10:08	04/02/2019 17:24	LLJ
75-09-2	Methylene chloride	ND		ug/kg dry	4.5	9.0	1	EPA 8260C Certifications: CTDOH,NELAC-NY10854,NELAC-NY12058,NJDEP,PADEP	04/02/2019 10:08	04/02/2019 17:24	LLJ
104-51-8	n-Butylbenzene	ND		ug/kg dry	2.2	4.5	1	EPA 8260C Certifications: CTDOH,NELAC-NY10854,NELAC-NY12058,NJDEP,PADEP	04/02/2019 10:08	04/02/2019 17:24	LLJ
103-65-1	n-Propylbenzene	ND		ug/kg dry	2.2	4.5	1	EPA 8260C Certifications: CTDOH,NELAC-NY10854,NELAC-NY12058,NJDEP,PADEP	04/02/2019 10:08	04/02/2019 17:24	LLJ
95-47-6	o-Xylene	ND		ug/kg dry	2.2	4.5	1	EPA 8260C Certifications: CTDOH,NELAC-NY10854,NELAC-NY12058,NJDEP,PADEP	04/02/2019 10:08	04/02/2019 17:24	LLJ
179601-23-1	p- & m- Xylenes	ND		ug/kg dry	4.5	9.0	1	EPA 8260C Certifications: CTDOH,NELAC-NY10854,NELAC-NY12058,NJDEP,PADEP	04/02/2019 10:08	04/02/2019 17:24	LLJ
99-87-6	p-Isopropyltoluene	ND		ug/kg dry	2.2	4.5	1	EPA 8260C Certifications: CTDOH,NELAC-NY10854,NELAC-NY12058,NJDEP,PADEP	04/02/2019 10:08	04/02/2019 17:24	LLJ
135-98-8	sec-Butylbenzene	ND		ug/kg dry	2.2	4.5	1	EPA 8260C Certifications: CTDOH,NELAC-NY10854,NELAC-NY12058,NJDEP,PADEP	04/02/2019 10:08	04/02/2019 17:24	LLJ
100-42-5	Styrene	ND		ug/kg dry	2.2	4.5	1	EPA 8260C Certifications: CTDOH,NELAC-NY10854,NELAC-NY12058,NJDEP,PADEP	04/02/2019 10:08	04/02/2019 17:24	LLJ
75-65-0	tert-Butyl alcohol (TBA)	ND		ug/kg dry	2.2	4.5	1	EPA 8260C Certifications: NELAC-NY10854,NELAC-NY12058,NJDEP,PADEP	04/02/2019 10:08	04/02/2019 17:24	LLJ
98-06-6	tert-Butylbenzene	ND		ug/kg dry	2.2	4.5	1	EPA 8260C Certifications: CTDOH,NELAC-NY10854,NELAC-NY12058,NJDEP,PADEP	04/02/2019 10:08	04/02/2019 17:24	LLJ
127-18-4	<b>Tetrachloroethylene</b>	<b>3900</b>	CCV-E, QL-02	ug/kg dry	1100	2200	500	EPA 8260C Certifications: CTDOH,NELAC-NY10854,NELAC-NY12058,NJDEP,PADEP	04/02/2019 10:08	04/04/2019 16:45	LLJ
108-88-3	Toluene	ND		ug/kg dry	2.2	4.5	1	EPA 8260C Certifications: CTDOH,NELAC-NY10854,NELAC-NY12058,NJDEP,PADEP	04/02/2019 10:08	04/02/2019 17:24	LLJ
156-60-5	trans-1,2-Dichloroethylene	ND		ug/kg dry	2.2	4.5	1	EPA 8260C Certifications: CTDOH,NELAC-NY10854,NELAC-NY12058,NJDEP,PADEP	04/02/2019 10:08	04/02/2019 17:24	LLJ
10061-02-6	trans-1,3-Dichloropropylene	ND		ug/kg dry	2.2	4.5	1	EPA 8260C Certifications: CTDOH,NELAC-NY10854,NELAC-NY12058,NJDEP,PADEP	04/02/2019 10:08	04/02/2019 17:24	LLJ
110-57-6	* trans-1,4-dichloro-2-butene	ND		ug/kg dry	2.2	4.5	1	EPA 8260C Certifications: CTDOH	04/02/2019 10:08	04/02/2019 17:24	LLJ
79-01-6	Trichloroethylene	ND		ug/kg dry	2.2	4.5	1	EPA 8260C Certifications: CTDOH,NELAC-NY10854,NELAC-NY12058,NJDEP,PADEP	04/02/2019 10:08	04/02/2019 17:24	LLJ
75-69-4	Trichlorofluoromethane	ND		ug/kg dry	2.2	4.5	1	EPA 8260C Certifications: CTDOH,NELAC-NY10854,NELAC-NY12058,NJDEP,PADEP	04/02/2019 10:08	04/02/2019 17:24	LLJ
75-01-4	Vinyl Chloride	ND		ug/kg dry	2.2	4.5	1	EPA 8260C Certifications: CTDOH,NELAC-NY10854,NELAC-NY12058,NJDEP,PADEP	04/02/2019 10:08	04/02/2019 17:24	LLJ
1330-20-7	Xylenes, Total	ND		ug/kg dry	6.7	13	1	EPA 8260C Certifications: CTDOH,NELAC-NY10854,NELAC-NY12058,NJDEP	04/02/2019 10:08	04/02/2019 17:24	LLJ
	<b>Surrogate Recoveries</b>	<b>Result</b>			<b>Acceptance Range</b>						
17060-07-0	Surrogate: SURR: 1,2-Dichloroethane-d4	116 %			77-125						



Sample Information

Client Sample ID: PD1-SB-102 (9.5-12') Grab

York Sample ID: 19C1272-15

Table with 5 columns: York Project (SDG) No., Client Project ID, Matrix, Collection Date/Time, Date Received. Values: 19C1272, 1602600 Former Safety Kleen, Soil, March 28, 2019 1:00 pm, 03/29/2019

Volatile Organics, 8260 - Comprehensive

Log-in Notes:

Sample Notes:

Sample Prepared by Method: EPA 5035A

Table with 12 columns: CAS No., Parameter, Result, Flag, Units, Reported to LOD/MDL, LOQ, Dilution, Reference Method, Date/Time Prepared, Date/Time Analyzed, Analyst. Rows for 2037-26-5 and 460-00-4.

Total Solids

Log-in Notes:

Sample Notes:

Sample Prepared by Method: % Solids Prep

Table with 12 columns: CAS No., Parameter, Result, Flag, Units, Reported to LOQ, Dilution, Reference Method, Date/Time Prepared, Date/Time Analyzed, Analyst. Row for % Solids.

Sample Information

Client Sample ID: PD1-SB-101 (0-4') Grab

York Sample ID: 19C1272-16

Table with 5 columns: York Project (SDG) No., Client Project ID, Matrix, Collection Date/Time, Date Received. Values: 19C1272, 1602600 Former Safety Kleen, Soil, March 28, 2019 1:57 pm, 03/29/2019

Volatile Organics, 8260 - Comprehensive

Log-in Notes:

Sample Notes:

Sample Prepared by Method: EPA 5035A

Table with 12 columns: CAS No., Parameter, Result, Flag, Units, Reported to LOD/MDL, LOQ, Dilution, Reference Method, Date/Time Prepared, Date/Time Analyzed, Analyst. Multiple rows for various compounds.



### Sample Information

**Client Sample ID:** PD1-SB-101 (0-4') Grab

**York Sample ID:** 19C1272-16

York Project (SDG) No.

Client Project ID

Matrix

Collection Date/Time

Date Received

19C1272

1602600 Former Safety Kleen

Soil

March 28, 2019 1:57 pm

03/29/2019

**Volatile Organics, 8260 - Comprehensive**

**Log-in Notes:**

**Sample Notes:**

Sample Prepared by Method: EPA 5035A

CAS No.	Parameter	Result	Flag	Units	Reported to LOD/MDL	LOQ	Dilution	Reference Method	Date/Time Prepared	Date/Time Analyzed	Analyst
95-63-6	1,2,4-Trimethylbenzene	ND		ug/kg dry	2.3	4.7	1	EPA 8260C Certifications: CTDOH,NELAC-NY10854,NELAC-NY12058,NJDEP,PADEP	04/02/2019 10:08	04/02/2019 17:51	LLJ
96-12-8	1,2-Dibromo-3-chloropropane	ND		ug/kg dry	2.3	4.7	1	EPA 8260C Certifications: CTDOH,NELAC-NY10854,NELAC-NY12058,NJDEP,PADEP	04/02/2019 10:08	04/02/2019 17:51	LLJ
106-93-4	1,2-Dibromoethane	ND		ug/kg dry	2.3	4.7	1	EPA 8260C Certifications: CTDOH,NELAC-NY10854,NELAC-NY12058,NJDEP,PADEP	04/02/2019 10:08	04/02/2019 17:51	LLJ
95-50-1	1,2-Dichlorobenzene	ND		ug/kg dry	2.3	4.7	1	EPA 8260C Certifications: CTDOH,NELAC-NY10854,NELAC-NY12058,NJDEP,PADEP	04/02/2019 10:08	04/02/2019 17:51	LLJ
107-06-2	1,2-Dichloroethane	ND		ug/kg dry	2.3	4.7	1	EPA 8260C Certifications: CTDOH,NELAC-NY10854,NELAC-NY12058,NJDEP,PADEP	04/02/2019 10:08	04/02/2019 17:51	LLJ
78-87-5	1,2-Dichloropropane	ND		ug/kg dry	2.3	4.7	1	EPA 8260C Certifications: CTDOH,NELAC-NY10854,NELAC-NY12058,NJDEP,PADEP	04/02/2019 10:08	04/02/2019 17:51	LLJ
108-67-8	1,3,5-Trimethylbenzene	ND		ug/kg dry	2.3	4.7	1	EPA 8260C Certifications: CTDOH,NELAC-NY10854,NELAC-NY12058,NJDEP,PADEP	04/02/2019 10:08	04/02/2019 17:51	LLJ
541-73-1	1,3-Dichlorobenzene	ND		ug/kg dry	2.3	4.7	1	EPA 8260C Certifications: CTDOH,NELAC-NY10854,NELAC-NY12058,NJDEP,PADEP	04/02/2019 10:08	04/02/2019 17:51	LLJ
106-46-7	1,4-Dichlorobenzene	ND		ug/kg dry	2.3	4.7	1	EPA 8260C Certifications: CTDOH,NELAC-NY10854,NELAC-NY12058,NJDEP,PADEP	04/02/2019 10:08	04/02/2019 17:51	LLJ
123-91-1	1,4-Dioxane	ND		ug/kg dry	47	94	1	EPA 8260C Certifications: NELAC-NY10854,NELAC-NY12058,NJDEP,PADEP	04/02/2019 10:08	04/02/2019 17:51	LLJ
78-93-3	2-Butanone	ND		ug/kg dry	2.3	4.7	1	EPA 8260C Certifications: CTDOH,NELAC-NY10854,NELAC-NY12058,NJDEP,PADEP	04/02/2019 10:08	04/02/2019 17:51	LLJ
591-78-6	2-Hexanone	ND		ug/kg dry	2.3	4.7	1	EPA 8260C Certifications: CTDOH,NELAC-NY10854,NELAC-NY12058,NJDEP,PADEP	04/02/2019 10:08	04/02/2019 17:51	LLJ
108-10-1	4-Methyl-2-pentanone	ND		ug/kg dry	2.3	4.7	1	EPA 8260C Certifications: CTDOH,NELAC-NY10854,NELAC-NY12058,NJDEP,PADEP	04/02/2019 10:08	04/02/2019 17:51	LLJ
67-64-1	<b>Acetone</b>	<b>8.9</b>	J	ug/kg dry	4.7	9.4	1	EPA 8260C Certifications: CTDOH,NELAC-NY10854,NELAC-NY12058,NJDEP,PADEP	04/02/2019 10:08	04/02/2019 17:51	LLJ
107-02-8	Acrolein	ND		ug/kg dry	4.7	9.4	1	EPA 8260C Certifications: CTDOH,NELAC-NY10854,NELAC-NY12058,NJDEP,PADEP	04/02/2019 10:08	04/02/2019 17:51	LLJ
107-13-1	Acrylonitrile	ND		ug/kg dry	2.3	4.7	1	EPA 8260C Certifications: CTDOH,NELAC-NY10854,NELAC-NY12058,NJDEP,PADEP	04/02/2019 10:08	04/02/2019 17:51	LLJ
71-43-2	Benzene	ND		ug/kg dry	2.3	4.7	1	EPA 8260C Certifications: CTDOH,NELAC-NY10854,NELAC-NY12058,NJDEP,PADEP	04/02/2019 10:08	04/02/2019 17:51	LLJ
74-97-5	Bromochloromethane	ND		ug/kg dry	2.3	4.7	1	EPA 8260C Certifications: NELAC-NY10854,NELAC-NY12058,NJDEP,PADEP	04/02/2019 10:08	04/02/2019 17:51	LLJ
75-27-4	Bromodichloromethane	ND		ug/kg dry	2.3	4.7	1	EPA 8260C Certifications: CTDOH,NELAC-NY10854,NELAC-NY12058,NJDEP,PADEP	04/02/2019 10:08	04/02/2019 17:51	LLJ
75-25-2	Bromoform	ND		ug/kg dry	2.3	4.7	1	EPA 8260C Certifications: CTDOH,NELAC-NY10854,NELAC-NY12058,NJDEP,PADEP	04/02/2019 10:08	04/02/2019 17:51	LLJ
74-83-9	Bromomethane	ND		ug/kg dry	2.3	4.7	1	EPA 8260C Certifications: CTDOH,NELAC-NY10854,NELAC-NY12058,NJDEP,PADEP	04/02/2019 10:08	04/02/2019 17:51	LLJ
75-15-0	Carbon disulfide	ND		ug/kg dry	2.3	4.7	1	EPA 8260C Certifications: CTDOH,NELAC-NY10854,NELAC-NY12058,NJDEP,PADEP	04/02/2019 10:08	04/02/2019 17:51	LLJ
56-23-5	Carbon tetrachloride	ND		ug/kg dry	2.3	4.7	1	EPA 8260C Certifications: CTDOH,NELAC-NY10854,NELAC-NY12058,NJDEP,PADEP	04/02/2019 10:08	04/02/2019 17:51	LLJ



### Sample Information

**Client Sample ID:** PD1-SB-101 (0-4') Grab

**York Sample ID:** 19C1272-16

York Project (SDG) No.

Client Project ID

Matrix

Collection Date/Time

Date Received

19C1272

1602600 Former Safety Kleen

Soil

March 28, 2019 1:57 pm

03/29/2019

**Volatile Organics, 8260 - Comprehensive**

**Log-in Notes:**

**Sample Notes:**

Sample Prepared by Method: EPA 5035A

CAS No.	Parameter	Result	Flag	Units	Reported to LOD/MDL	LOQ	Dilution	Reference Method	Date/Time Prepared	Date/Time Analyzed	Analyst
108-90-7	Chlorobenzene	ND		ug/kg dry	2.3	4.7	1	EPA 8260C Certifications: CTDOH,NELAC-NY10854,NELAC-NY12058,NJDEP,PADEP	04/02/2019 10:08	04/02/2019 17:51	LLJ
75-00-3	Chloroethane	ND		ug/kg dry	2.3	4.7	1	EPA 8260C Certifications: CTDOH,NELAC-NY10854,NELAC-NY12058,NJDEP,PADEP	04/02/2019 10:08	04/02/2019 17:51	LLJ
67-66-3	Chloroform	ND		ug/kg dry	2.3	4.7	1	EPA 8260C Certifications: CTDOH,NELAC-NY10854,NELAC-NY12058,NJDEP,PADEP	04/02/2019 10:08	04/02/2019 17:51	LLJ
74-87-3	Chloromethane	ND		ug/kg dry	2.3	4.7	1	EPA 8260C Certifications: CTDOH,NELAC-NY10854,NELAC-NY12058,NJDEP,PADEP	04/02/2019 10:08	04/02/2019 17:51	LLJ
156-59-2	cis-1,2-Dichloroethylene	ND		ug/kg dry	2.3	4.7	1	EPA 8260C Certifications: CTDOH,NELAC-NY10854,NELAC-NY12058,NJDEP,PADEP	04/02/2019 10:08	04/02/2019 17:51	LLJ
10061-01-5	cis-1,3-Dichloropropylene	ND		ug/kg dry	2.3	4.7	1	EPA 8260C Certifications: CTDOH,NELAC-NY10854,NELAC-NY12058,NJDEP,PADEP	04/02/2019 10:08	04/02/2019 17:51	LLJ
110-82-7	Cyclohexane	ND		ug/kg dry	2.3	4.7	1	EPA 8260C Certifications: NELAC-NY10854,NELAC-NY12058,NJDEP,PADEP	04/02/2019 10:08	04/02/2019 17:51	LLJ
124-48-1	Dibromochloromethane	ND		ug/kg dry	2.3	4.7	1	EPA 8260C Certifications: NELAC-NY10854,NELAC-NY12058,NJDEP,PADEP	04/02/2019 10:08	04/02/2019 17:51	LLJ
74-95-3	Dibromomethane	ND		ug/kg dry	2.3	4.7	1	EPA 8260C Certifications: NELAC-NY10854,NELAC-NY12058,NJDEP,PADEP	04/02/2019 10:08	04/02/2019 17:51	LLJ
75-71-8	Dichlorodifluoromethane	ND		ug/kg dry	2.3	4.7	1	EPA 8260C Certifications: NELAC-NY10854,NELAC-NY12058,NJDEP,PADEP	04/02/2019 10:08	04/02/2019 17:51	LLJ
100-41-4	Ethyl Benzene	ND		ug/kg dry	2.3	4.7	1	EPA 8260C Certifications: CTDOH,NELAC-NY10854,NELAC-NY12058,NJDEP,PADEP	04/02/2019 10:08	04/02/2019 17:51	LLJ
87-68-3	Hexachlorobutadiene	ND		ug/kg dry	2.3	4.7	1	EPA 8260C Certifications: NELAC-NY10854,NELAC-NY12058,NJDEP,PADEP	04/02/2019 10:08	04/02/2019 17:51	LLJ
98-82-8	Isopropylbenzene	ND		ug/kg dry	2.3	4.7	1	EPA 8260C Certifications: CTDOH,NELAC-NY10854,NELAC-NY12058,NJDEP,PADEP	04/02/2019 10:08	04/02/2019 17:51	LLJ
79-20-9	Methyl acetate	ND		ug/kg dry	2.3	4.7	1	EPA 8260C Certifications: NELAC-NY10854,NELAC-NY12058,NJDEP,PADEP	04/02/2019 10:08	04/02/2019 17:51	LLJ
1634-04-4	Methyl tert-butyl ether (MTBE)	ND		ug/kg dry	2.3	4.7	1	EPA 8260C Certifications: CTDOH,NELAC-NY10854,NELAC-NY12058,NJDEP,PADEP	04/02/2019 10:08	04/02/2019 17:51	LLJ
108-87-2	Methylcyclohexane	ND		ug/kg dry	2.3	4.7	1	EPA 8260C Certifications: NELAC-NY10854,NELAC-NY12058,NJDEP,PADEP	04/02/2019 10:08	04/02/2019 17:51	LLJ
75-09-2	Methylene chloride	ND		ug/kg dry	4.7	9.4	1	EPA 8260C Certifications: CTDOH,NELAC-NY10854,NELAC-NY12058,NJDEP,PADEP	04/02/2019 10:08	04/02/2019 17:51	LLJ
104-51-8	n-Butylbenzene	ND		ug/kg dry	2.3	4.7	1	EPA 8260C Certifications: CTDOH,NELAC-NY10854,NELAC-NY12058,NJDEP,PADEP	04/02/2019 10:08	04/02/2019 17:51	LLJ
103-65-1	n-Propylbenzene	ND		ug/kg dry	2.3	4.7	1	EPA 8260C Certifications: CTDOH,NELAC-NY10854,NELAC-NY12058,NJDEP,PADEP	04/02/2019 10:08	04/02/2019 17:51	LLJ
95-47-6	o-Xylene	ND		ug/kg dry	2.3	4.7	1	EPA 8260C Certifications: CTDOH,NELAC-NY10854,NELAC-NY12058,NJDEP,PADEP	04/02/2019 10:08	04/02/2019 17:51	LLJ
179601-23-1	p- & m- Xylenes	ND		ug/kg dry	4.7	9.4	1	EPA 8260C Certifications: CTDOH,NELAC-NY10854,NELAC-NY12058,NJDEP,PADEP	04/02/2019 10:08	04/02/2019 17:51	LLJ
99-87-6	p-Isopropyltoluene	ND		ug/kg dry	2.3	4.7	1	EPA 8260C Certifications: CTDOH,NELAC-NY10854,NELAC-NY12058,NJDEP,PADEP	04/02/2019 10:08	04/02/2019 17:51	LLJ
135-98-8	sec-Butylbenzene	ND		ug/kg dry	2.3	4.7	1	EPA 8260C Certifications: CTDOH,NELAC-NY10854,NELAC-NY12058,NJDEP,PADEP	04/02/2019 10:08	04/02/2019 17:51	LLJ



### Sample Information

**Client Sample ID:** PD1-SB-101 (0-4') Grab

**York Sample ID:** 19C1272-16

York Project (SDG) No.

Client Project ID

Matrix

Collection Date/Time

Date Received

19C1272

1602600 Former Safety Kleen

Soil

March 28, 2019 1:57 pm

03/29/2019

**Volatile Organics, 8260 - Comprehensive**

**Log-in Notes:**

**Sample Notes:**

Sample Prepared by Method: EPA 5035A

CAS No.	Parameter	Result	Flag	Units	Reported to LOD/MDL	LOQ	Dilution	Reference Method	Date/Time Prepared	Date/Time Analyzed	Analyst
100-42-5	Styrene	ND		ug/kg dry	2.3	4.7	1	EPA 8260C Certifications: CTDOH,NELAC-NY10854,NELAC-NY12058,NJDEP,PADEP	04/02/2019 10:08	04/02/2019 17:51	LLJ
75-65-0	tert-Butyl alcohol (TBA)	ND		ug/kg dry	2.3	4.7	1	EPA 8260C Certifications: NELAC-NY10854,NELAC-NY12058,NJDEP,PADEP	04/02/2019 10:08	04/02/2019 17:51	LLJ
98-06-6	tert-Butylbenzene	ND		ug/kg dry	2.3	4.7	1	EPA 8260C Certifications: CTDOH,NELAC-NY10854,NELAC-NY12058,NJDEP,PADEP	04/02/2019 10:08	04/02/2019 17:51	LLJ
127-18-4	<b>Tetrachloroethylene</b>	<b>68</b>		ug/kg dry	2.3	4.7	1	EPA 8260C Certifications: CTDOH,NELAC-NY10854,NELAC-NY12058,NJDEP,PADEP	04/02/2019 10:08	04/02/2019 17:51	LLJ
108-88-3	Toluene	ND		ug/kg dry	2.3	4.7	1	EPA 8260C Certifications: CTDOH,NELAC-NY10854,NELAC-NY12058,NJDEP,PADEP	04/02/2019 10:08	04/02/2019 17:51	LLJ
156-60-5	trans-1,2-Dichloroethylene	ND		ug/kg dry	2.3	4.7	1	EPA 8260C Certifications: CTDOH,NELAC-NY10854,NELAC-NY12058,NJDEP,PADEP	04/02/2019 10:08	04/02/2019 17:51	LLJ
10061-02-6	trans-1,3-Dichloropropylene	ND		ug/kg dry	2.3	4.7	1	EPA 8260C Certifications: CTDOH,NELAC-NY10854,NELAC-NY12058,NJDEP,PADEP	04/02/2019 10:08	04/02/2019 17:51	LLJ
110-57-6	* trans-1,4-dichloro-2-butene	ND		ug/kg dry	2.3	4.7	1	EPA 8260C Certifications: CTDOH	04/02/2019 10:08	04/02/2019 17:51	LLJ
79-01-6	Trichloroethylene	ND		ug/kg dry	2.3	4.7	1	EPA 8260C Certifications: CTDOH,NELAC-NY10854,NELAC-NY12058,NJDEP,PADEP	04/02/2019 10:08	04/02/2019 17:51	LLJ
75-69-4	Trichlorofluoromethane	ND		ug/kg dry	2.3	4.7	1	EPA 8260C Certifications: CTDOH,NELAC-NY10854,NELAC-NY12058,NJDEP,PADEP	04/02/2019 10:08	04/02/2019 17:51	LLJ
75-01-4	Vinyl Chloride	ND		ug/kg dry	2.3	4.7	1	EPA 8260C Certifications: CTDOH,NELAC-NY10854,NELAC-NY12058,NJDEP,PADEP	04/02/2019 10:08	04/02/2019 17:51	LLJ
1330-20-7	Xylenes, Total	ND		ug/kg dry	7.0	14	1	EPA 8260C Certifications: CTDOH,NELAC-NY10854,NELAC-NY12058,NJDEP	04/02/2019 10:08	04/02/2019 17:51	LLJ
<b>Surrogate Recoveries</b>		<b>Result</b>			<b>Acceptance Range</b>						
17060-07-0	Surrogate: SURR: 1,2-Dichloroethane-d4	120 %			77-125						
2037-26-5	Surrogate: SURR: Toluene-d8	100 %			85-120						
460-00-4	Surrogate: SURR: p-Bromofluorobenzene	109 %			76-130						

**Total Solids**

**Log-in Notes:**

**Sample Notes:**

Sample Prepared by Method: % Solids Prep

CAS No.	Parameter	Result	Flag	Units	Reported to LOQ	Dilution	Reference Method	Date/Time Prepared	Date/Time Analyzed	Analyst
solids	* % Solids	87.6		%	0.100	1	SM 2540G Certifications: CTDOH	04/04/2019 11:00	04/05/2019 12:58	AS

### Sample Information

**Client Sample ID:** PD1-SB-107 (0-4') Grab

**York Sample ID:** 19C1272-17

York Project (SDG) No.

Client Project ID

Matrix

Collection Date/Time

Date Received

19C1272

1602600 Former Safety Kleen

Soil

March 28, 2019 2:10 pm

03/29/2019



### Sample Information

**Client Sample ID:** PD1-SB-107 (0-4') Grab

**York Sample ID:** 19C1272-17

York Project (SDG) No.

Client Project ID

Matrix

Collection Date/Time

Date Received

19C1272

1602600 Former Safety Kleen

Soil

March 28, 2019 2:10 pm

03/29/2019

**Volatile Organics, 8260 - Comprehensive**

**Log-in Notes:**

**Sample Notes:**

Sample Prepared by Method: EPA 5035A

CAS No.	Parameter	Result	Flag	Units	Reported to LOD/MDL	LOQ	Dilution	Reference Method	Date/Time Prepared	Date/Time Analyzed	Analyst
630-20-6	1,1,1,2-Tetrachloroethane	ND		ug/kg dry	1.8	3.7	1	EPA 8260C Certifications: CTDOH,NELAC-NY10854,NELAC-NY12058,NJDEP,PADEP	04/02/2019 07:28	04/02/2019 17:48	LLJ
71-55-6	1,1,1-Trichloroethane	ND		ug/kg dry	1.8	3.7	1	EPA 8260C Certifications: CTDOH,NELAC-NY10854,NELAC-NY12058,NJDEP,PADEP	04/02/2019 07:28	04/02/2019 17:48	LLJ
79-34-5	1,1,2,2-Tetrachloroethane	ND		ug/kg dry	1.8	3.7	1	EPA 8260C Certifications: CTDOH,NELAC-NY10854,NELAC-NY12058,NJDEP,PADEP	04/02/2019 07:28	04/02/2019 17:48	LLJ
76-13-1	1,1,2-Trichloro-1,2,2-trifluoroethane (Freon 113)	ND		ug/kg dry	1.8	3.7	1	EPA 8260C Certifications: CTDOH,NELAC-NY10854,NELAC-NY12058,NJDEP	04/02/2019 07:28	04/02/2019 17:48	LLJ
79-00-5	1,1,2-Trichloroethane	ND		ug/kg dry	1.8	3.7	1	EPA 8260C Certifications: CTDOH,NELAC-NY10854,NELAC-NY12058,NJDEP,PADEP	04/02/2019 07:28	04/02/2019 17:48	LLJ
75-34-3	1,1-Dichloroethane	ND		ug/kg dry	1.8	3.7	1	EPA 8260C Certifications: CTDOH,NELAC-NY10854,NELAC-NY12058,NJDEP,PADEP	04/02/2019 07:28	04/02/2019 17:48	LLJ
75-35-4	1,1-Dichloroethylene	ND		ug/kg dry	1.8	3.7	1	EPA 8260C Certifications: CTDOH,NELAC-NY10854,NELAC-NY12058,NJDEP,PADEP	04/02/2019 07:28	04/02/2019 17:48	LLJ
87-61-6	1,2,3-Trichlorobenzene	ND		ug/kg dry	1.8	3.7	1	EPA 8260C Certifications: NELAC-NY10854,NELAC-NY12058,NJDEP,PADEP	04/02/2019 07:28	04/02/2019 17:48	LLJ
96-18-4	1,2,3-Trichloropropane	ND		ug/kg dry	1.8	3.7	1	EPA 8260C Certifications: NELAC-NY10854,NELAC-NY12058,NJDEP	04/02/2019 07:28	04/02/2019 17:48	LLJ
120-82-1	1,2,4-Trichlorobenzene	ND		ug/kg dry	1.8	3.7	1	EPA 8260C Certifications: NELAC-NY10854,NELAC-NY12058,NJDEP,PADEP	04/02/2019 07:28	04/02/2019 17:48	LLJ
95-63-6	1,2,4-Trimethylbenzene	ND		ug/kg dry	1.8	3.7	1	EPA 8260C Certifications: CTDOH,NELAC-NY10854,NELAC-NY12058,NJDEP,PADEP	04/02/2019 07:28	04/02/2019 17:48	LLJ
96-12-8	1,2-Dibromo-3-chloropropane	ND		ug/kg dry	1.8	3.7	1	EPA 8260C Certifications: CTDOH,NELAC-NY10854,NELAC-NY12058,NJDEP,PADEP	04/02/2019 07:28	04/02/2019 17:48	LLJ
106-93-4	1,2-Dibromoethane	ND		ug/kg dry	1.8	3.7	1	EPA 8260C Certifications: CTDOH,NELAC-NY10854,NELAC-NY12058,NJDEP,PADEP	04/02/2019 07:28	04/02/2019 17:48	LLJ
95-50-1	1,2-Dichlorobenzene	ND		ug/kg dry	1.8	3.7	1	EPA 8260C Certifications: CTDOH,NELAC-NY10854,NELAC-NY12058,NJDEP,PADEP	04/02/2019 07:28	04/02/2019 17:48	LLJ
107-06-2	1,2-Dichloroethane	ND		ug/kg dry	1.8	3.7	1	EPA 8260C Certifications: CTDOH,NELAC-NY10854,NELAC-NY12058,NJDEP,PADEP	04/02/2019 07:28	04/02/2019 17:48	LLJ
78-87-5	1,2-Dichloropropane	ND		ug/kg dry	1.8	3.7	1	EPA 8260C Certifications: CTDOH,NELAC-NY10854,NELAC-NY12058,NJDEP,PADEP	04/02/2019 07:28	04/02/2019 17:48	LLJ
108-67-8	1,3,5-Trimethylbenzene	ND		ug/kg dry	1.8	3.7	1	EPA 8260C Certifications: CTDOH,NELAC-NY10854,NELAC-NY12058,NJDEP,PADEP	04/02/2019 07:28	04/02/2019 17:48	LLJ
541-73-1	1,3-Dichlorobenzene	ND		ug/kg dry	1.8	3.7	1	EPA 8260C Certifications: CTDOH,NELAC-NY10854,NELAC-NY12058,NJDEP,PADEP	04/02/2019 07:28	04/02/2019 17:48	LLJ
106-46-7	1,4-Dichlorobenzene	ND		ug/kg dry	1.8	3.7	1	EPA 8260C Certifications: CTDOH,NELAC-NY10854,NELAC-NY12058,NJDEP,PADEP	04/02/2019 07:28	04/02/2019 17:48	LLJ
123-91-1	1,4-Dioxane	ND		ug/kg dry	37	73	1	EPA 8260C Certifications: NELAC-NY10854,NELAC-NY12058,NJDEP,PADEP	04/02/2019 07:28	04/02/2019 17:48	LLJ
78-93-3	2-Butanone	ND		ug/kg dry	1.8	3.7	1	EPA 8260C Certifications: CTDOH,NELAC-NY10854,NELAC-NY12058,NJDEP,PADEP	04/02/2019 07:28	04/02/2019 17:48	LLJ
591-78-6	2-Hexanone	ND		ug/kg dry	1.8	3.7	1	EPA 8260C Certifications: CTDOH,NELAC-NY10854,NELAC-NY12058,NJDEP,PADEP	04/02/2019 07:28	04/02/2019 17:48	LLJ
108-10-1	4-Methyl-2-pentanone	ND		ug/kg dry	1.8	3.7	1	EPA 8260C Certifications: CTDOH,NELAC-NY10854,NELAC-NY12058,NJDEP,PADEP	04/02/2019 07:28	04/02/2019 17:48	LLJ





### Sample Information

**Client Sample ID:** PD1-SB-107 (0-4') Grab

**York Sample ID:** 19C1272-17

York Project (SDG) No.

Client Project ID

Matrix

Collection Date/Time

Date Received

19C1272

1602600 Former Safety Kleen

Soil

March 28, 2019 2:10 pm

03/29/2019

**Volatile Organics, 8260 - Comprehensive**

**Log-in Notes:**

**Sample Notes:**

Sample Prepared by Method: EPA 5035A

CAS No.	Parameter	Result	Flag	Units	Reported to LOD/MDL	LOQ	Dilution	Reference Method	Date/Time Prepared	Date/Time Analyzed	Analyst
67-64-1	Acetone	6.7	CCV-E, J	ug/kg dry	3.7	7.3	1	EPA 8260C Certifications: CTDOH,NELAC-NY10854,NELAC-NY12058,NJDEP,PADEP	04/02/2019 07:28	04/02/2019 17:48	LLJ
107-02-8	Acrolein	ND		ug/kg dry	3.7	7.3	1	EPA 8260C Certifications: CTDOH,NELAC-NY10854,NELAC-NY12058,NJDEP,PADEP	04/02/2019 07:28	04/02/2019 17:48	LLJ
107-13-1	Acrylonitrile	ND		ug/kg dry	1.8	3.7	1	EPA 8260C Certifications: CTDOH,NELAC-NY10854,NELAC-NY12058,NJDEP,PADEP	04/02/2019 07:28	04/02/2019 17:48	LLJ
71-43-2	Benzene	ND		ug/kg dry	1.8	3.7	1	EPA 8260C Certifications: CTDOH,NELAC-NY10854,NELAC-NY12058,NJDEP,PADEP	04/02/2019 07:28	04/02/2019 17:48	LLJ
74-97-5	Bromochloromethane	ND		ug/kg dry	1.8	3.7	1	EPA 8260C Certifications: NELAC-NY10854,NELAC-NY12058,NJDEP,PADEP	04/02/2019 07:28	04/02/2019 17:48	LLJ
75-27-4	Bromodichloromethane	ND		ug/kg dry	1.8	3.7	1	EPA 8260C Certifications: CTDOH,NELAC-NY10854,NELAC-NY12058,NJDEP,PADEP	04/02/2019 07:28	04/02/2019 17:48	LLJ
75-25-2	Bromoform	ND		ug/kg dry	1.8	3.7	1	EPA 8260C Certifications: CTDOH,NELAC-NY10854,NELAC-NY12058,NJDEP,PADEP	04/02/2019 07:28	04/02/2019 17:48	LLJ
74-83-9	Bromomethane	ND		ug/kg dry	1.8	3.7	1	EPA 8260C Certifications: CTDOH,NELAC-NY10854,NELAC-NY12058,NJDEP,PADEP	04/02/2019 07:28	04/02/2019 17:48	LLJ
75-15-0	Carbon disulfide	ND		ug/kg dry	1.8	3.7	1	EPA 8260C Certifications: CTDOH,NELAC-NY10854,NELAC-NY12058,NJDEP,PADEP	04/02/2019 07:28	04/02/2019 17:48	LLJ
56-23-5	Carbon tetrachloride	ND		ug/kg dry	1.8	3.7	1	EPA 8260C Certifications: CTDOH,NELAC-NY10854,NELAC-NY12058,NJDEP,PADEP	04/02/2019 07:28	04/02/2019 17:48	LLJ
108-90-7	Chlorobenzene	ND		ug/kg dry	1.8	3.7	1	EPA 8260C Certifications: CTDOH,NELAC-NY10854,NELAC-NY12058,NJDEP,PADEP	04/02/2019 07:28	04/02/2019 17:48	LLJ
75-00-3	Chloroethane	ND		ug/kg dry	1.8	3.7	1	EPA 8260C Certifications: CTDOH,NELAC-NY10854,NELAC-NY12058,NJDEP,PADEP	04/02/2019 07:28	04/02/2019 17:48	LLJ
67-66-3	Chloroform	ND		ug/kg dry	1.8	3.7	1	EPA 8260C Certifications: CTDOH,NELAC-NY10854,NELAC-NY12058,NJDEP,PADEP	04/02/2019 07:28	04/02/2019 17:48	LLJ
74-87-3	Chloromethane	ND		ug/kg dry	1.8	3.7	1	EPA 8260C Certifications: CTDOH,NELAC-NY10854,NELAC-NY12058,NJDEP,PADEP	04/02/2019 07:28	04/02/2019 17:48	LLJ
156-59-2	cis-1,2-Dichloroethylene	ND		ug/kg dry	1.8	3.7	1	EPA 8260C Certifications: CTDOH,NELAC-NY10854,NELAC-NY12058,NJDEP,PADEP	04/02/2019 07:28	04/02/2019 17:48	LLJ
10061-01-5	cis-1,3-Dichloropropylene	ND		ug/kg dry	1.8	3.7	1	EPA 8260C Certifications: CTDOH,NELAC-NY10854,NELAC-NY12058,NJDEP,PADEP	04/02/2019 07:28	04/02/2019 17:48	LLJ
110-82-7	Cyclohexane	ND		ug/kg dry	1.8	3.7	1	EPA 8260C Certifications: NELAC-NY10854,NELAC-NY12058,NJDEP,PADEP	04/02/2019 07:28	04/02/2019 17:48	LLJ
124-48-1	Dibromochloromethane	ND		ug/kg dry	1.8	3.7	1	EPA 8260C Certifications: NELAC-NY10854,NELAC-NY12058,NJDEP,PADEP	04/02/2019 07:28	04/02/2019 17:48	LLJ
74-95-3	Dibromomethane	ND		ug/kg dry	1.8	3.7	1	EPA 8260C Certifications: NELAC-NY10854,NELAC-NY12058,NJDEP,PADEP	04/02/2019 07:28	04/02/2019 17:48	LLJ
75-71-8	Dichlorodifluoromethane	ND		ug/kg dry	1.8	3.7	1	EPA 8260C Certifications: NELAC-NY10854,NELAC-NY12058,NJDEP,PADEP	04/02/2019 07:28	04/02/2019 17:48	LLJ
100-41-4	Ethyl Benzene	ND		ug/kg dry	1.8	3.7	1	EPA 8260C Certifications: CTDOH,NELAC-NY10854,NELAC-NY12058,NJDEP,PADEP	04/02/2019 07:28	04/02/2019 17:48	LLJ
87-68-3	Hexachlorobutadiene	ND		ug/kg dry	1.8	3.7	1	EPA 8260C Certifications: NELAC-NY10854,NELAC-NY12058,NJDEP,PADEP	04/02/2019 07:28	04/02/2019 17:48	LLJ
98-82-8	Isopropylbenzene	ND		ug/kg dry	1.8	3.7	1	EPA 8260C Certifications: CTDOH,NELAC-NY10854,NELAC-NY12058,NJDEP,PADEP	04/02/2019 07:28	04/02/2019 17:48	LLJ



### Sample Information

**Client Sample ID:** PD1-SB-107 (0-4') Grab

**York Sample ID:** 19C1272-17

York Project (SDG) No.

Client Project ID

Matrix

Collection Date/Time

Date Received

19C1272

1602600 Former Safety Kleen

Soil

March 28, 2019 2:10 pm

03/29/2019

**Volatile Organics, 8260 - Comprehensive**

**Log-in Notes:**

**Sample Notes:**

Sample Prepared by Method: EPA 5035A

CAS No.	Parameter	Result	Flag	Units	Reported to LOD/MDL	LOQ	Dilution	Reference Method	Date/Time Prepared	Date/Time Analyzed	Analyst
79-20-9	Methyl acetate	ND		ug/kg dry	1.8	3.7	1	EPA 8260C Certifications: NELAC-NY10854,NELAC-NY12058,NJDEP,PADEP	04/02/2019 07:28	04/02/2019 17:48	LLJ
1634-04-4	Methyl tert-butyl ether (MTBE)	ND		ug/kg dry	1.8	3.7	1	EPA 8260C Certifications: CTDOH,NELAC-NY10854,NELAC-NY12058,NJDEP,PADEP	04/02/2019 07:28	04/02/2019 17:48	LLJ
108-87-2	Methylcyclohexane	ND		ug/kg dry	1.8	3.7	1	EPA 8260C Certifications: NELAC-NY10854,NELAC-NY12058,NJDEP,PADEP	04/02/2019 07:28	04/02/2019 17:48	LLJ
75-09-2	<b>Methylene chloride</b>	<b>8.9</b>		ug/kg dry	3.7	7.3	1	EPA 8260C Certifications: CTDOH,NELAC-NY10854,NELAC-NY12058,NJDEP,PADEP	04/02/2019 07:28	04/02/2019 17:48	LLJ
104-51-8	n-Butylbenzene	ND		ug/kg dry	1.8	3.7	1	EPA 8260C Certifications: CTDOH,NELAC-NY10854,NELAC-NY12058,NJDEP,PADEP	04/02/2019 07:28	04/02/2019 17:48	LLJ
103-65-1	n-Propylbenzene	ND		ug/kg dry	1.8	3.7	1	EPA 8260C Certifications: CTDOH,NELAC-NY10854,NELAC-NY12058,NJDEP,PADEP	04/02/2019 07:28	04/02/2019 17:48	LLJ
95-47-6	o-Xylene	ND		ug/kg dry	1.8	3.7	1	EPA 8260C Certifications: CTDOH,NELAC-NY10854,NELAC-NY12058,NJDEP,PADEP	04/02/2019 07:28	04/02/2019 17:48	LLJ
179601-23-1	p- & m- Xylenes	ND		ug/kg dry	3.7	7.3	1	EPA 8260C Certifications: CTDOH,NELAC-NY10854,NELAC-NY12058,NJDEP,PADEP	04/02/2019 07:28	04/02/2019 17:48	LLJ
99-87-6	p-Isopropyltoluene	ND		ug/kg dry	1.8	3.7	1	EPA 8260C Certifications: CTDOH,NELAC-NY10854,NELAC-NY12058,NJDEP,PADEP	04/02/2019 07:28	04/02/2019 17:48	LLJ
135-98-8	sec-Butylbenzene	ND		ug/kg dry	1.8	3.7	1	EPA 8260C Certifications: CTDOH,NELAC-NY10854,NELAC-NY12058,NJDEP,PADEP	04/02/2019 07:28	04/02/2019 17:48	LLJ
100-42-5	Styrene	ND		ug/kg dry	1.8	3.7	1	EPA 8260C Certifications: CTDOH,NELAC-NY10854,NELAC-NY12058,NJDEP,PADEP	04/02/2019 07:28	04/02/2019 17:48	LLJ
75-65-0	tert-Butyl alcohol (TBA)	ND		ug/kg dry	1.8	3.7	1	EPA 8260C Certifications: NELAC-NY10854,NELAC-NY12058,NJDEP,PADEP	04/02/2019 07:28	04/02/2019 17:48	LLJ
98-06-6	tert-Butylbenzene	ND		ug/kg dry	1.8	3.7	1	EPA 8260C Certifications: CTDOH,NELAC-NY10854,NELAC-NY12058,NJDEP,PADEP	04/02/2019 07:28	04/02/2019 17:48	LLJ
127-18-4	<b>Tetrachloroethylene</b>	<b>37</b>		ug/kg dry	1.8	3.7	1	EPA 8260C Certifications: CTDOH,NELAC-NY10854,NELAC-NY12058,NJDEP,PADEP	04/02/2019 07:28	04/02/2019 17:48	LLJ
108-88-3	Toluene	ND		ug/kg dry	1.8	3.7	1	EPA 8260C Certifications: CTDOH,NELAC-NY10854,NELAC-NY12058,NJDEP,PADEP	04/02/2019 07:28	04/02/2019 17:48	LLJ
156-60-5	trans-1,2-Dichloroethylene	ND		ug/kg dry	1.8	3.7	1	EPA 8260C Certifications: CTDOH,NELAC-NY10854,NELAC-NY12058,NJDEP,PADEP	04/02/2019 07:28	04/02/2019 17:48	LLJ
10061-02-6	trans-1,3-Dichloropropylene	ND		ug/kg dry	1.8	3.7	1	EPA 8260C Certifications: CTDOH,NELAC-NY10854,NELAC-NY12058,NJDEP,PADEP	04/02/2019 07:28	04/02/2019 17:48	LLJ
110-57-6	* trans-1,4-dichloro-2-butene	ND		ug/kg dry	1.8	3.7	1	EPA 8260C Certifications: CTDOH	04/02/2019 07:28	04/02/2019 17:48	LLJ
79-01-6	Trichloroethylene	ND		ug/kg dry	1.8	3.7	1	EPA 8260C Certifications: CTDOH,NELAC-NY10854,NELAC-NY12058,NJDEP,PADEP	04/02/2019 07:28	04/02/2019 17:48	LLJ
75-69-4	Trichlorofluoromethane	ND		ug/kg dry	1.8	3.7	1	EPA 8260C Certifications: CTDOH,NELAC-NY10854,NELAC-NY12058,NJDEP,PADEP	04/02/2019 07:28	04/02/2019 17:48	LLJ
75-01-4	Vinyl Chloride	ND		ug/kg dry	1.8	3.7	1	EPA 8260C Certifications: CTDOH,NELAC-NY10854,NELAC-NY12058,NJDEP,PADEP	04/02/2019 07:28	04/02/2019 17:48	LLJ
1330-20-7	Xylenes, Total	ND		ug/kg dry	5.5	11	1	EPA 8260C Certifications: CTDOH,NELAC-NY10854,NELAC-NY12058,NJDEP	04/02/2019 07:28	04/02/2019 17:48	LLJ
	<b>Surrogate Recoveries</b>	<b>Result</b>		<b>Acceptance Range</b>							
17060-07-0	Surrogate: SURR: 1,2-Dichloroethane-d4	103 %		77-125							



### Sample Information

**Client Sample ID:** PD1-SB-107 (0-4') Grab

**York Sample ID:** 19C1272-17

York Project (SDG) No.

Client Project ID

Matrix

Collection Date/Time

Date Received

19C1272

1602600 Former Safety Kleen

Soil

March 28, 2019 2:10 pm

03/29/2019

**Volatile Organics, 8260 - Comprehensive**

Log-in Notes:

Sample Notes:

Sample Prepared by Method: EPA 5035A

CAS No.	Parameter	Result	Flag	Units	Reported to LOD/MDL	LOQ	Dilution	Reference Method	Date/Time Prepared	Date/Time Analyzed	Analyst
2037-26-5	Surrogate: SURR: Toluene-d8	97.7 %			85-120						
460-00-4	Surrogate: SURR: p-Bromofluorobenzene	98.6 %			76-130						

**Total Solids**

Log-in Notes:

Sample Notes:

Sample Prepared by Method: % Solids Prep

CAS No.	Parameter	Result	Flag	Units	Reported to LOQ	Dilution	Reference Method	Date/Time Prepared	Date/Time Analyzed	Analyst	
solids	* % Solids	87.9		%	0.100	1	SM 2540G	04/04/2019 11:00	04/05/2019 12:58	AS	
Certifications:								CTDOH			

### Sample Information

**Client Sample ID:** PD1-SB-104 (0-4') Grab

**York Sample ID:** 19C1272-18

York Project (SDG) No.

Client Project ID

Matrix

Collection Date/Time

Date Received

19C1272

1602600 Former Safety Kleen

Soil

March 28, 2019 2:30 pm

03/29/2019

**Volatile Organics, 8260 - Comprehensive**

Log-in Notes:

Sample Notes:

Sample Prepared by Method: EPA 5035A

CAS No.	Parameter	Result	Flag	Units	Reported to LOD/MDL	LOQ	Dilution	Reference Method	Date/Time Prepared	Date/Time Analyzed	Analyst
630-20-6	1,1,1,2-Tetrachloroethane	ND		ug/kg dry	2.2	4.3	1	EPA 8260C	04/04/2019 07:32	04/04/2019 21:24	LLJ
Certifications:								CTDOH,NELAC-NY10854,NELAC-NY12058,NJDEP,PADEP			
71-55-6	1,1,1-Trichloroethane	ND		ug/kg dry	2.2	4.3	1	EPA 8260C	04/04/2019 07:32	04/04/2019 21:24	LLJ
Certifications:								CTDOH,NELAC-NY10854,NELAC-NY12058,NJDEP,PADEP			
79-34-5	1,1,2,2-Tetrachloroethane	ND		ug/kg dry	2.2	4.3	1	EPA 8260C	04/04/2019 07:32	04/04/2019 21:24	LLJ
Certifications:								CTDOH,NELAC-NY10854,NELAC-NY12058,NJDEP,PADEP			
76-13-1	1,1,2-Trichloro-1,2,2-trifluoroethane (Freon 113)	ND		ug/kg dry	2.2	4.3	1	EPA 8260C	04/04/2019 07:32	04/04/2019 21:24	LLJ
Certifications:								CTDOH,NELAC-NY10854,NELAC-NY12058,NJDEP			
79-00-5	1,1,2-Trichloroethane	ND		ug/kg dry	2.2	4.3	1	EPA 8260C	04/04/2019 07:32	04/04/2019 21:24	LLJ
Certifications:								CTDOH,NELAC-NY10854,NELAC-NY12058,NJDEP,PADEP			
75-34-3	1,1-Dichloroethane	ND		ug/kg dry	2.2	4.3	1	EPA 8260C	04/04/2019 07:32	04/04/2019 21:24	LLJ
Certifications:								CTDOH,NELAC-NY10854,NELAC-NY12058,NJDEP,PADEP			
75-35-4	1,1-Dichloroethylene	ND		ug/kg dry	2.2	4.3	1	EPA 8260C	04/04/2019 07:32	04/04/2019 21:24	LLJ
Certifications:								CTDOH,NELAC-NY10854,NELAC-NY12058,NJDEP,PADEP			
87-61-6	1,2,3-Trichlorobenzene	ND		ug/kg dry	2.2	4.3	1	EPA 8260C	04/04/2019 07:32	04/04/2019 21:24	LLJ
Certifications:								NELAC-NY10854,NELAC-NY12058,NJDEP,PADEP			
96-18-4	1,2,3-Trichloropropane	ND		ug/kg dry	2.2	4.3	1	EPA 8260C	04/04/2019 07:32	04/04/2019 21:24	LLJ
Certifications:								NELAC-NY10854,NELAC-NY12058,NJDEP			
120-82-1	1,2,4-Trichlorobenzene	ND		ug/kg dry	2.2	4.3	1	EPA 8260C	04/04/2019 07:32	04/04/2019 21:24	LLJ
Certifications:								NELAC-NY10854,NELAC-NY12058,NJDEP,PADEP			



### Sample Information

**Client Sample ID:** PD1-SB-104 (0-4') Grab

**York Sample ID:** 19C1272-18

York Project (SDG) No.

Client Project ID

Matrix

Collection Date/Time

Date Received

19C1272

1602600 Former Safety Kleen

Soil

March 28, 2019 2:30 pm

03/29/2019

**Volatile Organics, 8260 - Comprehensive**

**Log-in Notes:**

**Sample Notes:**

Sample Prepared by Method: EPA 5035A

CAS No.	Parameter	Result	Flag	Units	Reported to LOD/MDL	LOQ	Dilution	Reference Method	Date/Time Prepared	Date/Time Analyzed	Analyst
95-63-6	1,2,4-Trimethylbenzene	ND		ug/kg dry	2.2	4.3	1	EPA 8260C Certifications: CTDOH,NELAC-NY10854,NELAC-NY12058,NJDEP,PADEP	04/04/2019 07:32	04/04/2019 21:24	LLJ
96-12-8	1,2-Dibromo-3-chloropropane	ND		ug/kg dry	2.2	4.3	1	EPA 8260C Certifications: CTDOH,NELAC-NY10854,NELAC-NY12058,NJDEP,PADEP	04/04/2019 07:32	04/04/2019 21:24	LLJ
106-93-4	1,2-Dibromoethane	ND		ug/kg dry	2.2	4.3	1	EPA 8260C Certifications: CTDOH,NELAC-NY10854,NELAC-NY12058,NJDEP,PADEP	04/04/2019 07:32	04/04/2019 21:24	LLJ
95-50-1	1,2-Dichlorobenzene	ND		ug/kg dry	2.2	4.3	1	EPA 8260C Certifications: CTDOH,NELAC-NY10854,NELAC-NY12058,NJDEP,PADEP	04/04/2019 07:32	04/04/2019 21:24	LLJ
107-06-2	1,2-Dichloroethane	ND		ug/kg dry	2.2	4.3	1	EPA 8260C Certifications: CTDOH,NELAC-NY10854,NELAC-NY12058,NJDEP,PADEP	04/04/2019 07:32	04/04/2019 21:24	LLJ
78-87-5	1,2-Dichloropropane	ND		ug/kg dry	2.2	4.3	1	EPA 8260C Certifications: CTDOH,NELAC-NY10854,NELAC-NY12058,NJDEP,PADEP	04/04/2019 07:32	04/04/2019 21:24	LLJ
108-67-8	1,3,5-Trimethylbenzene	ND		ug/kg dry	2.2	4.3	1	EPA 8260C Certifications: CTDOH,NELAC-NY10854,NELAC-NY12058,NJDEP,PADEP	04/04/2019 07:32	04/04/2019 21:24	LLJ
541-73-1	1,3-Dichlorobenzene	ND		ug/kg dry	2.2	4.3	1	EPA 8260C Certifications: CTDOH,NELAC-NY10854,NELAC-NY12058,NJDEP,PADEP	04/04/2019 07:32	04/04/2019 21:24	LLJ
106-46-7	1,4-Dichlorobenzene	ND		ug/kg dry	2.2	4.3	1	EPA 8260C Certifications: CTDOH,NELAC-NY10854,NELAC-NY12058,NJDEP,PADEP	04/04/2019 07:32	04/04/2019 21:24	LLJ
123-91-1	1,4-Dioxane	ND		ug/kg dry	43	86	1	EPA 8260C Certifications: NELAC-NY10854,NELAC-NY12058,NJDEP,PADEP	04/04/2019 07:32	04/04/2019 21:24	LLJ
78-93-3	2-Butanone	ND		ug/kg dry	2.2	4.3	1	EPA 8260C Certifications: CTDOH,NELAC-NY10854,NELAC-NY12058,NJDEP,PADEP	04/04/2019 07:32	04/04/2019 21:24	LLJ
591-78-6	2-Hexanone	ND		ug/kg dry	2.2	4.3	1	EPA 8260C Certifications: CTDOH,NELAC-NY10854,NELAC-NY12058,NJDEP,PADEP	04/04/2019 07:32	04/04/2019 21:24	LLJ
108-10-1	4-Methyl-2-pentanone	ND		ug/kg dry	2.2	4.3	1	EPA 8260C Certifications: CTDOH,NELAC-NY10854,NELAC-NY12058,NJDEP,PADEP	04/04/2019 07:32	04/04/2019 21:24	LLJ
67-64-1	<b>Acetone</b>	<b>38</b>		ug/kg dry	4.3	8.6	1	EPA 8260C Certifications: CTDOH,NELAC-NY10854,NELAC-NY12058,NJDEP,PADEP	04/04/2019 07:32	04/04/2019 21:24	LLJ
107-02-8	Acrolein	ND		ug/kg dry	4.3	8.6	1	EPA 8260C Certifications: CTDOH,NELAC-NY10854,NELAC-NY12058,NJDEP,PADEP	04/04/2019 07:32	04/04/2019 21:24	LLJ
107-13-1	Acrylonitrile	ND		ug/kg dry	2.2	4.3	1	EPA 8260C Certifications: CTDOH,NELAC-NY10854,NELAC-NY12058,NJDEP,PADEP	04/04/2019 07:32	04/04/2019 21:24	LLJ
71-43-2	Benzene	ND		ug/kg dry	2.2	4.3	1	EPA 8260C Certifications: CTDOH,NELAC-NY10854,NELAC-NY12058,NJDEP,PADEP	04/04/2019 07:32	04/04/2019 21:24	LLJ
74-97-5	Bromochloromethane	ND		ug/kg dry	2.2	4.3	1	EPA 8260C Certifications: NELAC-NY10854,NELAC-NY12058,NJDEP,PADEP	04/04/2019 07:32	04/04/2019 21:24	LLJ
75-27-4	Bromodichloromethane	ND		ug/kg dry	2.2	4.3	1	EPA 8260C Certifications: CTDOH,NELAC-NY10854,NELAC-NY12058,NJDEP,PADEP	04/04/2019 07:32	04/04/2019 21:24	LLJ
75-25-2	Bromoform	ND		ug/kg dry	2.2	4.3	1	EPA 8260C Certifications: CTDOH,NELAC-NY10854,NELAC-NY12058,NJDEP,PADEP	04/04/2019 07:32	04/04/2019 21:24	LLJ
74-83-9	Bromomethane	ND		ug/kg dry	2.2	4.3	1	EPA 8260C Certifications: CTDOH,NELAC-NY10854,NELAC-NY12058,NJDEP,PADEP	04/04/2019 07:32	04/04/2019 21:24	LLJ
75-15-0	Carbon disulfide	ND		ug/kg dry	2.2	4.3	1	EPA 8260C Certifications: CTDOH,NELAC-NY10854,NELAC-NY12058,NJDEP,PADEP	04/04/2019 07:32	04/04/2019 21:24	LLJ
56-23-5	Carbon tetrachloride	ND		ug/kg dry	2.2	4.3	1	EPA 8260C Certifications: CTDOH,NELAC-NY10854,NELAC-NY12058,NJDEP,PADEP	04/04/2019 07:32	04/04/2019 21:24	LLJ



### Sample Information

**Client Sample ID:** PD1-SB-104 (0-4') Grab

**York Sample ID:** 19C1272-18

York Project (SDG) No.

Client Project ID

Matrix

Collection Date/Time

Date Received

19C1272

1602600 Former Safety Kleen

Soil

March 28, 2019 2:30 pm

03/29/2019

**Volatile Organics, 8260 - Comprehensive**

**Log-in Notes:**

**Sample Notes:**

Sample Prepared by Method: EPA 5035A

CAS No.	Parameter	Result	Flag	Units	Reported to LOD/MDL	LOQ	Dilution	Reference Method	Date/Time Prepared	Date/Time Analyzed	Analyst
108-90-7	Chlorobenzene	ND		ug/kg dry	2.2	4.3	1	EPA 8260C Certifications: CTDOH,NELAC-NY10854,NELAC-NY12058,NJDEP,PADEP	04/04/2019 07:32	04/04/2019 21:24	LLJ
75-00-3	Chloroethane	ND		ug/kg dry	2.2	4.3	1	EPA 8260C Certifications: CTDOH,NELAC-NY10854,NELAC-NY12058,NJDEP,PADEP	04/04/2019 07:32	04/04/2019 21:24	LLJ
67-66-3	Chloroform	ND		ug/kg dry	2.2	4.3	1	EPA 8260C Certifications: CTDOH,NELAC-NY10854,NELAC-NY12058,NJDEP,PADEP	04/04/2019 07:32	04/04/2019 21:24	LLJ
74-87-3	Chloromethane	ND		ug/kg dry	2.2	4.3	1	EPA 8260C Certifications: CTDOH,NELAC-NY10854,NELAC-NY12058,NJDEP,PADEP	04/04/2019 07:32	04/04/2019 21:24	LLJ
156-59-2	cis-1,2-Dichloroethylene	ND		ug/kg dry	2.2	4.3	1	EPA 8260C Certifications: CTDOH,NELAC-NY10854,NELAC-NY12058,NJDEP,PADEP	04/04/2019 07:32	04/04/2019 21:24	LLJ
10061-01-5	cis-1,3-Dichloropropylene	ND		ug/kg dry	2.2	4.3	1	EPA 8260C Certifications: CTDOH,NELAC-NY10854,NELAC-NY12058,NJDEP,PADEP	04/04/2019 07:32	04/04/2019 21:24	LLJ
110-82-7	Cyclohexane	ND		ug/kg dry	2.2	4.3	1	EPA 8260C Certifications: NELAC-NY10854,NELAC-NY12058,NJDEP,PADEP	04/04/2019 07:32	04/04/2019 21:24	LLJ
124-48-1	Dibromochloromethane	ND		ug/kg dry	2.2	4.3	1	EPA 8260C Certifications: NELAC-NY10854,NELAC-NY12058,NJDEP,PADEP	04/04/2019 07:32	04/04/2019 21:24	LLJ
74-95-3	Dibromomethane	ND		ug/kg dry	2.2	4.3	1	EPA 8260C Certifications: NELAC-NY10854,NELAC-NY12058,NJDEP,PADEP	04/04/2019 07:32	04/04/2019 21:24	LLJ
75-71-8	Dichlorodifluoromethane	ND		ug/kg dry	2.2	4.3	1	EPA 8260C Certifications: NELAC-NY10854,NELAC-NY12058,NJDEP,PADEP	04/04/2019 07:32	04/04/2019 21:24	LLJ
100-41-4	Ethyl Benzene	ND		ug/kg dry	2.2	4.3	1	EPA 8260C Certifications: CTDOH,NELAC-NY10854,NELAC-NY12058,NJDEP,PADEP	04/04/2019 07:32	04/04/2019 21:24	LLJ
87-68-3	Hexachlorobutadiene	ND		ug/kg dry	2.2	4.3	1	EPA 8260C Certifications: NELAC-NY10854,NELAC-NY12058,NJDEP,PADEP	04/04/2019 07:32	04/04/2019 21:24	LLJ
98-82-8	Isopropylbenzene	ND		ug/kg dry	2.2	4.3	1	EPA 8260C Certifications: CTDOH,NELAC-NY10854,NELAC-NY12058,NJDEP,PADEP	04/04/2019 07:32	04/04/2019 21:24	LLJ
79-20-9	Methyl acetate	ND		ug/kg dry	2.2	4.3	1	EPA 8260C Certifications: NELAC-NY10854,NELAC-NY12058,NJDEP,PADEP	04/04/2019 07:32	04/04/2019 21:24	LLJ
1634-04-4	Methyl tert-butyl ether (MTBE)	ND		ug/kg dry	2.2	4.3	1	EPA 8260C Certifications: CTDOH,NELAC-NY10854,NELAC-NY12058,NJDEP,PADEP	04/04/2019 07:32	04/04/2019 21:24	LLJ
108-87-2	Methylcyclohexane	ND		ug/kg dry	2.2	4.3	1	EPA 8260C Certifications: NELAC-NY10854,NELAC-NY12058,NJDEP,PADEP	04/04/2019 07:32	04/04/2019 21:24	LLJ
75-09-2	Methylene chloride	ND		ug/kg dry	4.3	8.6	1	EPA 8260C Certifications: CTDOH,NELAC-NY10854,NELAC-NY12058,NJDEP,PADEP	04/04/2019 07:32	04/04/2019 21:24	LLJ
104-51-8	n-Butylbenzene	ND		ug/kg dry	2.2	4.3	1	EPA 8260C Certifications: CTDOH,NELAC-NY10854,NELAC-NY12058,NJDEP,PADEP	04/04/2019 07:32	04/04/2019 21:24	LLJ
103-65-1	n-Propylbenzene	ND		ug/kg dry	2.2	4.3	1	EPA 8260C Certifications: CTDOH,NELAC-NY10854,NELAC-NY12058,NJDEP,PADEP	04/04/2019 07:32	04/04/2019 21:24	LLJ
95-47-6	o-Xylene	ND		ug/kg dry	2.2	4.3	1	EPA 8260C Certifications: CTDOH,NELAC-NY10854,NELAC-NY12058,NJDEP,PADEP	04/04/2019 07:32	04/04/2019 21:24	LLJ
179601-23-1	p- & m- Xylenes	ND		ug/kg dry	4.3	8.6	1	EPA 8260C Certifications: CTDOH,NELAC-NY10854,NELAC-NY12058,NJDEP,PADEP	04/04/2019 07:32	04/04/2019 21:24	LLJ
99-87-6	p-Isopropyltoluene	ND		ug/kg dry	2.2	4.3	1	EPA 8260C Certifications: CTDOH,NELAC-NY10854,NELAC-NY12058,NJDEP,PADEP	04/04/2019 07:32	04/04/2019 21:24	LLJ
135-98-8	sec-Butylbenzene	ND		ug/kg dry	2.2	4.3	1	EPA 8260C Certifications: CTDOH,NELAC-NY10854,NELAC-NY12058,NJDEP,PADEP	04/04/2019 07:32	04/04/2019 21:24	LLJ



### Sample Information

**Client Sample ID:** PD1-SB-104 (0-4') Grab

**York Sample ID:** 19C1272-18

York Project (SDG) No.

Client Project ID

Matrix

Collection Date/Time

Date Received

19C1272

1602600 Former Safety Kleen

Soil

March 28, 2019 2:30 pm

03/29/2019

**Volatile Organics, 8260 - Comprehensive**

**Log-in Notes:**

**Sample Notes:**

Sample Prepared by Method: EPA 5035A

CAS No.	Parameter	Result	Flag	Units	Reported to LOD/MDL	LOQ	Dilution	Reference Method	Date/Time Prepared	Date/Time Analyzed	Analyst
100-42-5	Styrene	ND		ug/kg dry	2.2	4.3	1	EPA 8260C Certifications: CTDOH,NELAC-NY10854,NELAC-NY12058,NJDEP,PADEP	04/04/2019 07:32	04/04/2019 21:24	LLJ
75-65-0	tert-Butyl alcohol (TBA)	ND		ug/kg dry	2.2	4.3	1	EPA 8260C Certifications: NELAC-NY10854,NELAC-NY12058,NJDEP,PADEP	04/04/2019 07:32	04/04/2019 21:24	LLJ
98-06-6	tert-Butylbenzene	ND		ug/kg dry	2.2	4.3	1	EPA 8260C Certifications: CTDOH,NELAC-NY10854,NELAC-NY12058,NJDEP,PADEP	04/04/2019 07:32	04/04/2019 21:24	LLJ
127-18-4	<b>Tetrachloroethylene</b>	<b>45</b>	CCV-E	ug/kg dry	2.2	4.3	1	EPA 8260C Certifications: CTDOH,NELAC-NY10854,NELAC-NY12058,NJDEP,PADEP	04/04/2019 07:32	04/04/2019 21:24	LLJ
108-88-3	Toluene	ND		ug/kg dry	2.2	4.3	1	EPA 8260C Certifications: CTDOH,NELAC-NY10854,NELAC-NY12058,NJDEP,PADEP	04/04/2019 07:32	04/04/2019 21:24	LLJ
156-60-5	trans-1,2-Dichloroethylene	ND		ug/kg dry	2.2	4.3	1	EPA 8260C Certifications: CTDOH,NELAC-NY10854,NELAC-NY12058,NJDEP,PADEP	04/04/2019 07:32	04/04/2019 21:24	LLJ
10061-02-6	trans-1,3-Dichloropropylene	ND		ug/kg dry	2.2	4.3	1	EPA 8260C Certifications: CTDOH,NELAC-NY10854,NELAC-NY12058,NJDEP,PADEP	04/04/2019 07:32	04/04/2019 21:24	LLJ
110-57-6	* trans-1,4-dichloro-2-butene	ND		ug/kg dry	2.2	4.3	1	EPA 8260C Certifications: CTDOH	04/04/2019 07:32	04/04/2019 21:24	LLJ
79-01-6	Trichloroethylene	ND		ug/kg dry	2.2	4.3	1	EPA 8260C Certifications: CTDOH,NELAC-NY10854,NELAC-NY12058,NJDEP,PADEP	04/04/2019 07:32	04/04/2019 21:24	LLJ
75-69-4	Trichlorofluoromethane	ND		ug/kg dry	2.2	4.3	1	EPA 8260C Certifications: CTDOH,NELAC-NY10854,NELAC-NY12058,NJDEP,PADEP	04/04/2019 07:32	04/04/2019 21:24	LLJ
75-01-4	Vinyl Chloride	ND		ug/kg dry	2.2	4.3	1	EPA 8260C Certifications: CTDOH,NELAC-NY10854,NELAC-NY12058,NJDEP,PADEP	04/04/2019 07:32	04/04/2019 21:24	LLJ
1330-20-7	Xylenes, Total	ND		ug/kg dry	6.5	13	1	EPA 8260C Certifications: CTDOH,NELAC-NY10854,NELAC-NY12058,NJDEP	04/04/2019 07:32	04/04/2019 21:24	LLJ
<b>Surrogate Recoveries</b>		<b>Result</b>			<b>Acceptance Range</b>						
17060-07-0	Surrogate: SURR: 1,2-Dichloroethane-d4	101 %			77-125						
2037-26-5	Surrogate: SURR: Toluene-d8	104 %			85-120						
460-00-4	Surrogate: SURR: p-Bromofluorobenzene	101 %			76-130						

**Total Solids**

**Log-in Notes:**

**Sample Notes:**

Sample Prepared by Method: % Solids Prep

CAS No.	Parameter	Result	Flag	Units	Reported to LOQ	Dilution	Reference Method	Date/Time Prepared	Date/Time Analyzed	Analyst
solids	* % Solids	87.9		%	0.100	1	SM 2540G Certifications: CTDOH	04/04/2019 11:00	04/05/2019 12:58	AS

### Sample Information

**Client Sample ID:** PD1-SB-104 (4-7.5') Grab

**York Sample ID:** 19C1272-19

York Project (SDG) No.

Client Project ID

Matrix

Collection Date/Time

Date Received

19C1272

1602600 Former Safety Kleen

Soil

March 28, 2019 2:55 pm

03/29/2019



### Sample Information

**Client Sample ID:** PD1-SB-104 (4-7.5') Grab

**York Sample ID:** 19C1272-19

York Project (SDG) No.

Client Project ID

Matrix

Collection Date/Time

Date Received

19C1272

1602600 Former Safety Kleen

Soil

March 28, 2019 2:55 pm

03/29/2019

**Volatile Organics, 8260 - Comprehensive**

**Log-in Notes:**

**Sample Notes:**

Sample Prepared by Method: EPA 5035A

CAS No.	Parameter	Result	Flag	Units	Reported to LOD/MDL	LOQ	Dilution	Reference Method	Date/Time Prepared	Date/Time Analyzed	Analyst
630-20-6	1,1,1,2-Tetrachloroethane	ND		ug/kg dry	2.0	4.0	1	EPA 8260C Certifications: CTDOH,NELAC-NY10854,NELAC-NY12058,NJDEP,PADEP	04/02/2019 07:28	04/02/2019 18:44	LLJ
71-55-6	1,1,1-Trichloroethane	ND		ug/kg dry	2.0	4.0	1	EPA 8260C Certifications: CTDOH,NELAC-NY10854,NELAC-NY12058,NJDEP,PADEP	04/02/2019 07:28	04/02/2019 18:44	LLJ
79-34-5	1,1,2,2-Tetrachloroethane	ND		ug/kg dry	2.0	4.0	1	EPA 8260C Certifications: CTDOH,NELAC-NY10854,NELAC-NY12058,NJDEP,PADEP	04/02/2019 07:28	04/02/2019 18:44	LLJ
76-13-1	1,1,2-Trichloro-1,2,2-trifluoroethane (Freon 113)	ND		ug/kg dry	2.0	4.0	1	EPA 8260C Certifications: CTDOH,NELAC-NY10854,NELAC-NY12058,NJDEP	04/02/2019 07:28	04/02/2019 18:44	LLJ
79-00-5	1,1,2-Trichloroethane	ND		ug/kg dry	2.0	4.0	1	EPA 8260C Certifications: CTDOH,NELAC-NY10854,NELAC-NY12058,NJDEP,PADEP	04/02/2019 07:28	04/02/2019 18:44	LLJ
75-34-3	1,1-Dichloroethane	ND		ug/kg dry	2.0	4.0	1	EPA 8260C Certifications: CTDOH,NELAC-NY10854,NELAC-NY12058,NJDEP,PADEP	04/02/2019 07:28	04/02/2019 18:44	LLJ
75-35-4	1,1-Dichloroethylene	ND		ug/kg dry	2.0	4.0	1	EPA 8260C Certifications: CTDOH,NELAC-NY10854,NELAC-NY12058,NJDEP,PADEP	04/02/2019 07:28	04/02/2019 18:44	LLJ
87-61-6	1,2,3-Trichlorobenzene	ND		ug/kg dry	2.0	4.0	1	EPA 8260C Certifications: NELAC-NY10854,NELAC-NY12058,NJDEP,PADEP	04/02/2019 07:28	04/02/2019 18:44	LLJ
96-18-4	1,2,3-Trichloropropane	ND		ug/kg dry	2.0	4.0	1	EPA 8260C Certifications: NELAC-NY10854,NELAC-NY12058,NJDEP	04/02/2019 07:28	04/02/2019 18:44	LLJ
120-82-1	1,2,4-Trichlorobenzene	ND		ug/kg dry	2.0	4.0	1	EPA 8260C Certifications: NELAC-NY10854,NELAC-NY12058,NJDEP,PADEP	04/02/2019 07:28	04/02/2019 18:44	LLJ
95-63-6	1,2,4-Trimethylbenzene	ND		ug/kg dry	2.0	4.0	1	EPA 8260C Certifications: CTDOH,NELAC-NY10854,NELAC-NY12058,NJDEP,PADEP	04/02/2019 07:28	04/02/2019 18:44	LLJ
96-12-8	1,2-Dibromo-3-chloropropane	ND		ug/kg dry	2.0	4.0	1	EPA 8260C Certifications: CTDOH,NELAC-NY10854,NELAC-NY12058,NJDEP,PADEP	04/02/2019 07:28	04/02/2019 18:44	LLJ
106-93-4	1,2-Dibromoethane	ND		ug/kg dry	2.0	4.0	1	EPA 8260C Certifications: CTDOH,NELAC-NY10854,NELAC-NY12058,NJDEP,PADEP	04/02/2019 07:28	04/02/2019 18:44	LLJ
95-50-1	1,2-Dichlorobenzene	ND		ug/kg dry	2.0	4.0	1	EPA 8260C Certifications: CTDOH,NELAC-NY10854,NELAC-NY12058,NJDEP,PADEP	04/02/2019 07:28	04/02/2019 18:44	LLJ
107-06-2	1,2-Dichloroethane	ND		ug/kg dry	2.0	4.0	1	EPA 8260C Certifications: CTDOH,NELAC-NY10854,NELAC-NY12058,NJDEP,PADEP	04/02/2019 07:28	04/02/2019 18:44	LLJ
78-87-5	1,2-Dichloropropane	ND		ug/kg dry	2.0	4.0	1	EPA 8260C Certifications: CTDOH,NELAC-NY10854,NELAC-NY12058,NJDEP,PADEP	04/02/2019 07:28	04/02/2019 18:44	LLJ
108-67-8	1,3,5-Trimethylbenzene	ND		ug/kg dry	2.0	4.0	1	EPA 8260C Certifications: CTDOH,NELAC-NY10854,NELAC-NY12058,NJDEP,PADEP	04/02/2019 07:28	04/02/2019 18:44	LLJ
541-73-1	1,3-Dichlorobenzene	ND		ug/kg dry	2.0	4.0	1	EPA 8260C Certifications: CTDOH,NELAC-NY10854,NELAC-NY12058,NJDEP,PADEP	04/02/2019 07:28	04/02/2019 18:44	LLJ
106-46-7	1,4-Dichlorobenzene	ND		ug/kg dry	2.0	4.0	1	EPA 8260C Certifications: CTDOH,NELAC-NY10854,NELAC-NY12058,NJDEP,PADEP	04/02/2019 07:28	04/02/2019 18:44	LLJ
123-91-1	1,4-Dioxane	ND		ug/kg dry	40	81	1	EPA 8260C Certifications: NELAC-NY10854,NELAC-NY12058,NJDEP,PADEP	04/02/2019 07:28	04/02/2019 18:44	LLJ
78-93-3	2-Butanone	ND		ug/kg dry	2.0	4.0	1	EPA 8260C Certifications: CTDOH,NELAC-NY10854,NELAC-NY12058,NJDEP,PADEP	04/02/2019 07:28	04/02/2019 18:44	LLJ
591-78-6	2-Hexanone	ND		ug/kg dry	2.0	4.0	1	EPA 8260C Certifications: CTDOH,NELAC-NY10854,NELAC-NY12058,NJDEP,PADEP	04/02/2019 07:28	04/02/2019 18:44	LLJ
108-10-1	4-Methyl-2-pentanone	ND		ug/kg dry	2.0	4.0	1	EPA 8260C Certifications: CTDOH,NELAC-NY10854,NELAC-NY12058,NJDEP,PADEP	04/02/2019 07:28	04/02/2019 18:44	LLJ



### Sample Information

**Client Sample ID:** PD1-SB-104 (4-7.5') Grab

**York Sample ID:** 19C1272-19

York Project (SDG) No.

Client Project ID

Matrix

Collection Date/Time

Date Received

19C1272

1602600 Former Safety Kleen

Soil

March 28, 2019 2:55 pm

03/29/2019

**Volatile Organics, 8260 - Comprehensive**

**Log-in Notes:**

**Sample Notes:**

Sample Prepared by Method: EPA 5035A

CAS No.	Parameter	Result	Flag	Units	Reported to LOD/MDL	LOQ	Dilution	Reference Method	Date/Time Prepared	Date/Time Analyzed	Analyst
67-64-1	Acetone	26	CCV-E	ug/kg dry	4.0	8.1	1	EPA 8260C Certifications: CTDOH,NELAC-NY10854,NELAC-NY12058,NJDEP,PADEP	04/02/2019 07:28	04/02/2019 18:44	LLJ
107-02-8	Acrolein	ND		ug/kg dry	4.0	8.1	1	EPA 8260C Certifications: CTDOH,NELAC-NY10854,NELAC-NY12058,NJDEP,PADEP	04/02/2019 07:28	04/02/2019 18:44	LLJ
107-13-1	Acrylonitrile	ND		ug/kg dry	2.0	4.0	1	EPA 8260C Certifications: CTDOH,NELAC-NY10854,NELAC-NY12058,NJDEP,PADEP	04/02/2019 07:28	04/02/2019 18:44	LLJ
71-43-2	Benzene	ND		ug/kg dry	2.0	4.0	1	EPA 8260C Certifications: CTDOH,NELAC-NY10854,NELAC-NY12058,NJDEP,PADEP	04/02/2019 07:28	04/02/2019 18:44	LLJ
74-97-5	Bromochloromethane	ND		ug/kg dry	2.0	4.0	1	EPA 8260C Certifications: NELAC-NY10854,NELAC-NY12058,NJDEP,PADEP	04/02/2019 07:28	04/02/2019 18:44	LLJ
75-27-4	Bromodichloromethane	ND		ug/kg dry	2.0	4.0	1	EPA 8260C Certifications: CTDOH,NELAC-NY10854,NELAC-NY12058,NJDEP,PADEP	04/02/2019 07:28	04/02/2019 18:44	LLJ
75-25-2	Bromoform	ND		ug/kg dry	2.0	4.0	1	EPA 8260C Certifications: CTDOH,NELAC-NY10854,NELAC-NY12058,NJDEP,PADEP	04/02/2019 07:28	04/02/2019 18:44	LLJ
74-83-9	Bromomethane	ND		ug/kg dry	2.0	4.0	1	EPA 8260C Certifications: CTDOH,NELAC-NY10854,NELAC-NY12058,NJDEP,PADEP	04/02/2019 07:28	04/02/2019 18:44	LLJ
75-15-0	Carbon disulfide	ND		ug/kg dry	2.0	4.0	1	EPA 8260C Certifications: CTDOH,NELAC-NY10854,NELAC-NY12058,NJDEP,PADEP	04/02/2019 07:28	04/02/2019 18:44	LLJ
56-23-5	Carbon tetrachloride	ND		ug/kg dry	2.0	4.0	1	EPA 8260C Certifications: CTDOH,NELAC-NY10854,NELAC-NY12058,NJDEP,PADEP	04/02/2019 07:28	04/02/2019 18:44	LLJ
108-90-7	Chlorobenzene	ND		ug/kg dry	2.0	4.0	1	EPA 8260C Certifications: CTDOH,NELAC-NY10854,NELAC-NY12058,NJDEP,PADEP	04/02/2019 07:28	04/02/2019 18:44	LLJ
75-00-3	Chloroethane	ND		ug/kg dry	2.0	4.0	1	EPA 8260C Certifications: CTDOH,NELAC-NY10854,NELAC-NY12058,NJDEP,PADEP	04/02/2019 07:28	04/02/2019 18:44	LLJ
67-66-3	Chloroform	ND		ug/kg dry	2.0	4.0	1	EPA 8260C Certifications: CTDOH,NELAC-NY10854,NELAC-NY12058,NJDEP,PADEP	04/02/2019 07:28	04/02/2019 18:44	LLJ
74-87-3	Chloromethane	ND		ug/kg dry	2.0	4.0	1	EPA 8260C Certifications: CTDOH,NELAC-NY10854,NELAC-NY12058,NJDEP,PADEP	04/02/2019 07:28	04/02/2019 18:44	LLJ
156-59-2	cis-1,2-Dichloroethylene	ND		ug/kg dry	2.0	4.0	1	EPA 8260C Certifications: CTDOH,NELAC-NY10854,NELAC-NY12058,NJDEP,PADEP	04/02/2019 07:28	04/02/2019 18:44	LLJ
10061-01-5	cis-1,3-Dichloropropylene	ND		ug/kg dry	2.0	4.0	1	EPA 8260C Certifications: CTDOH,NELAC-NY10854,NELAC-NY12058,NJDEP,PADEP	04/02/2019 07:28	04/02/2019 18:44	LLJ
110-82-7	Cyclohexane	ND		ug/kg dry	2.0	4.0	1	EPA 8260C Certifications: NELAC-NY10854,NELAC-NY12058,NJDEP,PADEP	04/02/2019 07:28	04/02/2019 18:44	LLJ
124-48-1	Dibromochloromethane	ND		ug/kg dry	2.0	4.0	1	EPA 8260C Certifications: NELAC-NY10854,NELAC-NY12058,NJDEP,PADEP	04/02/2019 07:28	04/02/2019 18:44	LLJ
74-95-3	Dibromomethane	ND		ug/kg dry	2.0	4.0	1	EPA 8260C Certifications: NELAC-NY10854,NELAC-NY12058,NJDEP,PADEP	04/02/2019 07:28	04/02/2019 18:44	LLJ
75-71-8	Dichlorodifluoromethane	ND		ug/kg dry	2.0	4.0	1	EPA 8260C Certifications: NELAC-NY10854,NELAC-NY12058,NJDEP,PADEP	04/02/2019 07:28	04/02/2019 18:44	LLJ
100-41-4	Ethyl Benzene	ND		ug/kg dry	2.0	4.0	1	EPA 8260C Certifications: CTDOH,NELAC-NY10854,NELAC-NY12058,NJDEP,PADEP	04/02/2019 07:28	04/02/2019 18:44	LLJ
87-68-3	Hexachlorobutadiene	ND		ug/kg dry	2.0	4.0	1	EPA 8260C Certifications: NELAC-NY10854,NELAC-NY12058,NJDEP,PADEP	04/02/2019 07:28	04/02/2019 18:44	LLJ
98-82-8	Isopropylbenzene	ND		ug/kg dry	2.0	4.0	1	EPA 8260C Certifications: CTDOH,NELAC-NY10854,NELAC-NY12058,NJDEP,PADEP	04/02/2019 07:28	04/02/2019 18:44	LLJ





### Sample Information

**Client Sample ID:** PD1-SB-104 (4-7.5') Grab

**York Sample ID:** 19C1272-19

York Project (SDG) No.

Client Project ID

Matrix

Collection Date/Time

Date Received

19C1272

1602600 Former Safety Kleen

Soil

March 28, 2019 2:55 pm

03/29/2019

**Volatile Organics, 8260 - Comprehensive**

**Log-in Notes:**

**Sample Notes:**

Sample Prepared by Method: EPA 5035A

CAS No.	Parameter	Result	Flag	Units	Reported to LOD/MDL	LOQ	Dilution	Reference Method	Date/Time Prepared	Date/Time Analyzed	Analyst
79-20-9	Methyl acetate	ND		ug/kg dry	2.0	4.0	1	EPA 8260C Certifications: NELAC-NY10854,NELAC-NY12058,NJDEP,PADEP	04/02/2019 07:28	04/02/2019 18:44	LLJ
1634-04-4	Methyl tert-butyl ether (MTBE)	ND		ug/kg dry	2.0	4.0	1	EPA 8260C Certifications: CTDOH,NELAC-NY10854,NELAC-NY12058,NJDEP,PADEP	04/02/2019 07:28	04/02/2019 18:44	LLJ
108-87-2	Methylcyclohexane	ND		ug/kg dry	2.0	4.0	1	EPA 8260C Certifications: NELAC-NY10854,NELAC-NY12058,NJDEP,PADEP	04/02/2019 07:28	04/02/2019 18:44	LLJ
75-09-2	<b>Methylene chloride</b>	<b>4.8</b>	J	ug/kg dry	4.0	8.1	1	EPA 8260C Certifications: CTDOH,NELAC-NY10854,NELAC-NY12058,NJDEP,PADEP	04/02/2019 07:28	04/02/2019 18:44	LLJ
104-51-8	n-Butylbenzene	ND		ug/kg dry	2.0	4.0	1	EPA 8260C Certifications: CTDOH,NELAC-NY10854,NELAC-NY12058,NJDEP,PADEP	04/02/2019 07:28	04/02/2019 18:44	LLJ
103-65-1	n-Propylbenzene	ND		ug/kg dry	2.0	4.0	1	EPA 8260C Certifications: CTDOH,NELAC-NY10854,NELAC-NY12058,NJDEP,PADEP	04/02/2019 07:28	04/02/2019 18:44	LLJ
95-47-6	o-Xylene	ND		ug/kg dry	2.0	4.0	1	EPA 8260C Certifications: CTDOH,NELAC-NY10854,NELAC-NY12058,PADEP	04/02/2019 07:28	04/02/2019 18:44	LLJ
179601-23-1	p- & m- Xylenes	ND		ug/kg dry	4.0	8.1	1	EPA 8260C Certifications: CTDOH,NELAC-NY10854,NELAC-NY12058,PADEP	04/02/2019 07:28	04/02/2019 18:44	LLJ
99-87-6	p-Isopropyltoluene	ND		ug/kg dry	2.0	4.0	1	EPA 8260C Certifications: CTDOH,NELAC-NY10854,NELAC-NY12058,NJDEP,PADEP	04/02/2019 07:28	04/02/2019 18:44	LLJ
135-98-8	sec-Butylbenzene	ND		ug/kg dry	2.0	4.0	1	EPA 8260C Certifications: CTDOH,NELAC-NY10854,NELAC-NY12058,NJDEP,PADEP	04/02/2019 07:28	04/02/2019 18:44	LLJ
100-42-5	Styrene	ND		ug/kg dry	2.0	4.0	1	EPA 8260C Certifications: CTDOH,NELAC-NY10854,NELAC-NY12058,NJDEP,PADEP	04/02/2019 07:28	04/02/2019 18:44	LLJ
75-65-0	tert-Butyl alcohol (TBA)	ND		ug/kg dry	2.0	4.0	1	EPA 8260C Certifications: NELAC-NY10854,NELAC-NY12058,NJDEP,PADEP	04/02/2019 07:28	04/02/2019 18:44	LLJ
98-06-6	tert-Butylbenzene	ND		ug/kg dry	2.0	4.0	1	EPA 8260C Certifications: CTDOH,NELAC-NY10854,NELAC-NY12058,NJDEP,PADEP	04/02/2019 07:28	04/02/2019 18:44	LLJ
127-18-4	<b>Tetrachloroethylene</b>	<b>3400</b>		ug/kg dry	200	400	100	EPA 8260C Certifications: CTDOH,NELAC-NY10854,NELAC-NY12058,NJDEP,PADEP	04/02/2019 07:28	04/05/2019 11:27	LLJ
108-88-3	Toluene	ND		ug/kg dry	2.0	4.0	1	EPA 8260C Certifications: CTDOH,NELAC-NY10854,NELAC-NY12058,NJDEP,PADEP	04/02/2019 07:28	04/02/2019 18:44	LLJ
156-60-5	trans-1,2-Dichloroethylene	ND		ug/kg dry	2.0	4.0	1	EPA 8260C Certifications: CTDOH,NELAC-NY10854,NELAC-NY12058,NJDEP,PADEP	04/02/2019 07:28	04/02/2019 18:44	LLJ
10061-02-6	trans-1,3-Dichloropropylene	ND		ug/kg dry	2.0	4.0	1	EPA 8260C Certifications: CTDOH,NELAC-NY10854,NELAC-NY12058,NJDEP,PADEP	04/02/2019 07:28	04/02/2019 18:44	LLJ
110-57-6	* trans-1,4-dichloro-2-butene	ND		ug/kg dry	2.0	4.0	1	EPA 8260C Certifications: CTDOH	04/02/2019 07:28	04/02/2019 18:44	LLJ
79-01-6	Trichloroethylene	ND		ug/kg dry	2.0	4.0	1	EPA 8260C Certifications: CTDOH,NELAC-NY10854,NELAC-NY12058,NJDEP,PADEP	04/02/2019 07:28	04/02/2019 18:44	LLJ
75-69-4	Trichlorofluoromethane	ND		ug/kg dry	2.0	4.0	1	EPA 8260C Certifications: CTDOH,NELAC-NY10854,NELAC-NY12058,NJDEP,PADEP	04/02/2019 07:28	04/02/2019 18:44	LLJ
75-01-4	Vinyl Chloride	ND		ug/kg dry	2.0	4.0	1	EPA 8260C Certifications: CTDOH,NELAC-NY10854,NELAC-NY12058,NJDEP,PADEP	04/02/2019 07:28	04/02/2019 18:44	LLJ
1330-20-7	Xylenes, Total	ND		ug/kg dry	6.0	12	1	EPA 8260C Certifications: CTDOH,NELAC-NY10854,NELAC-NY12058,NJDEP	04/02/2019 07:28	04/02/2019 18:44	LLJ
	<b>Surrogate Recoveries</b>	<b>Result</b>		<b>Acceptance Range</b>							
17060-07-0	Surrogate: SURR: 1,2-Dichloroethane-d4	105 %		77-125							



### Sample Information

**Client Sample ID:** PD1-SB-104 (4-7.5') Grab

**York Sample ID:** 19C1272-19

<u>York Project (SDG) No.</u>	<u>Client Project ID</u>	<u>Matrix</u>	<u>Collection Date/Time</u>	<u>Date Received</u>
19C1272	1602600 Former Safety Kleen	Soil	March 28, 2019 2:55 pm	03/29/2019

**Volatile Organics, 8260 - Comprehensive**

**Log-in Notes:**

**Sample Notes:**

Sample Prepared by Method: EPA 5035A

CAS No.	Parameter	Result	Flag	Units	Reported to LOD/MDL	LOQ	Dilution	Reference Method	Date/Time Prepared	Date/Time Analyzed	Analyst
2037-26-5	Surrogate: SURRE: Toluene-d8	95.6 %			85-120						
460-00-4	Surrogate: SURRE: p-Bromofluorobenzene	97.6 %			76-130						

**Total Solids**

**Log-in Notes:**

**Sample Notes:**

Sample Prepared by Method: % Solids Prep

CAS No.	Parameter	Result	Flag	Units	Reported to LOQ	Dilution	Reference Method	Date/Time Prepared	Date/Time Analyzed	Analyst
solids	* % Solids	86.2		%	0.100	1	SM 2540G Certifications: CTDOH	04/04/2019 11:00	04/05/2019 12:58	AS

### Sample Information

**Client Sample ID:** PD1-SB-104 (7.5-8.5') Grab

**York Sample ID:** 19C1272-20

<u>York Project (SDG) No.</u>	<u>Client Project ID</u>	<u>Matrix</u>	<u>Collection Date/Time</u>	<u>Date Received</u>
19C1272	1602600 Former Safety Kleen	Soil	March 28, 2019 3:00 pm	03/29/2019

**Volatile Organics, 8260 - Comprehensive**

**Log-in Notes:**

**Sample Notes:**

Sample Prepared by Method: EPA 5035A

CAS No.	Parameter	Result	Flag	Units	Reported to LOD/MDL	LOQ	Dilution	Reference Method	Date/Time Prepared	Date/Time Analyzed	Analyst
630-20-6	1,1,1,2-Tetrachloroethane	ND		ug/kg dry	1.3	2.5	1	EPA 8260C Certifications: CTDOH,NELAC-NY10854,NELAC-NY12058,NJDEP,PADEP	04/02/2019 07:28	04/02/2019 19:12	LLJ
71-55-6	1,1,1-Trichloroethane	ND		ug/kg dry	1.3	2.5	1	EPA 8260C Certifications: CTDOH,NELAC-NY10854,NELAC-NY12058,NJDEP,PADEP	04/02/2019 07:28	04/02/2019 19:12	LLJ
79-34-5	1,1,2,2-Tetrachloroethane	ND		ug/kg dry	1.3	2.5	1	EPA 8260C Certifications: CTDOH,NELAC-NY10854,NELAC-NY12058,NJDEP,PADEP	04/02/2019 07:28	04/02/2019 19:12	LLJ
76-13-1	1,1,2-Trichloro-1,2,2-trifluoroethane (Freon 113)	ND		ug/kg dry	1.3	2.5	1	EPA 8260C Certifications: CTDOH,NELAC-NY10854,NELAC-NY12058,NJDEP	04/02/2019 07:28	04/02/2019 19:12	LLJ
79-00-5	<b>1,1,2-Trichloroethane</b>	<b>12</b>		ug/kg dry	1.3	2.5	1	EPA 8260C Certifications: CTDOH,NELAC-NY10854,NELAC-NY12058,NJDEP,PADEP	04/02/2019 07:28	04/02/2019 19:12	LLJ
75-34-3	1,1-Dichloroethane	ND		ug/kg dry	1.3	2.5	1	EPA 8260C Certifications: CTDOH,NELAC-NY10854,NELAC-NY12058,NJDEP,PADEP	04/02/2019 07:28	04/02/2019 19:12	LLJ
75-35-4	1,1-Dichloroethylene	ND		ug/kg dry	1.3	2.5	1	EPA 8260C Certifications: CTDOH,NELAC-NY10854,NELAC-NY12058,NJDEP,PADEP	04/02/2019 07:28	04/02/2019 19:12	LLJ
87-61-6	1,2,3-Trichlorobenzene	ND		ug/kg dry	1.3	2.5	1	EPA 8260C Certifications: NELAC-NY10854,NELAC-NY12058,NJDEP,PADEP	04/02/2019 07:28	04/02/2019 19:12	LLJ
96-18-4	1,2,3-Trichloropropane	ND		ug/kg dry	1.3	2.5	1	EPA 8260C Certifications: NELAC-NY10854,NELAC-NY12058,NJDEP	04/02/2019 07:28	04/02/2019 19:12	LLJ
120-82-1	1,2,4-Trichlorobenzene	ND		ug/kg dry	1.3	2.5	1	EPA 8260C Certifications: NELAC-NY10854,NELAC-NY12058,NJDEP,PADEP	04/02/2019 07:28	04/02/2019 19:12	LLJ



### Sample Information

**Client Sample ID:** PD1-SB-104 (7.5-8.5') Grab

**York Sample ID:** 19C1272-20

York Project (SDG) No.

Client Project ID

Matrix

Collection Date/Time

Date Received

19C1272

1602600 Former Safety Kleen

Soil

March 28, 2019 3:00 pm

03/29/2019

**Volatile Organics, 8260 - Comprehensive**

**Log-in Notes:**

**Sample Notes:**

Sample Prepared by Method: EPA 5035A

CAS No.	Parameter	Result	Flag	Units	Reported to LOD/MDL	LOQ	Dilution	Reference Method	Date/Time Prepared	Date/Time Analyzed	Analyst
95-63-6	1,2,4-Trimethylbenzene	ND		ug/kg dry	1.3	2.5	1	EPA 8260C Certifications: CTDOH,NELAC-NY10854,NELAC-NY12058,NJDEP,PADEP	04/02/2019 07:28	04/02/2019 19:12	LLJ
96-12-8	1,2-Dibromo-3-chloropropane	ND		ug/kg dry	1.3	2.5	1	EPA 8260C Certifications: CTDOH,NELAC-NY10854,NELAC-NY12058,NJDEP,PADEP	04/02/2019 07:28	04/02/2019 19:12	LLJ
106-93-4	1,2-Dibromoethane	ND		ug/kg dry	1.3	2.5	1	EPA 8260C Certifications: CTDOH,NELAC-NY10854,NELAC-NY12058,NJDEP,PADEP	04/02/2019 07:28	04/02/2019 19:12	LLJ
95-50-1	1,2-Dichlorobenzene	ND		ug/kg dry	1.3	2.5	1	EPA 8260C Certifications: CTDOH,NELAC-NY10854,NELAC-NY12058,NJDEP,PADEP	04/02/2019 07:28	04/02/2019 19:12	LLJ
107-06-2	1,2-Dichloroethane	ND		ug/kg dry	1.3	2.5	1	EPA 8260C Certifications: CTDOH,NELAC-NY10854,NELAC-NY12058,NJDEP,PADEP	04/02/2019 07:28	04/02/2019 19:12	LLJ
78-87-5	1,2-Dichloropropane	ND		ug/kg dry	1.3	2.5	1	EPA 8260C Certifications: CTDOH,NELAC-NY10854,NELAC-NY12058,NJDEP,PADEP	04/02/2019 07:28	04/02/2019 19:12	LLJ
108-67-8	1,3,5-Trimethylbenzene	ND		ug/kg dry	1.3	2.5	1	EPA 8260C Certifications: CTDOH,NELAC-NY10854,NELAC-NY12058,NJDEP,PADEP	04/02/2019 07:28	04/02/2019 19:12	LLJ
541-73-1	1,3-Dichlorobenzene	ND		ug/kg dry	1.3	2.5	1	EPA 8260C Certifications: CTDOH,NELAC-NY10854,NELAC-NY12058,NJDEP,PADEP	04/02/2019 07:28	04/02/2019 19:12	LLJ
106-46-7	1,4-Dichlorobenzene	ND		ug/kg dry	1.3	2.5	1	EPA 8260C Certifications: CTDOH,NELAC-NY10854,NELAC-NY12058,NJDEP,PADEP	04/02/2019 07:28	04/02/2019 19:12	LLJ
123-91-1	1,4-Dioxane	ND		ug/kg dry	25	51	1	EPA 8260C Certifications: NELAC-NY10854,NELAC-NY12058,NJDEP,PADEP	04/02/2019 07:28	04/02/2019 19:12	LLJ
78-93-3	2-Butanone	ND		ug/kg dry	1.3	2.5	1	EPA 8260C Certifications: CTDOH,NELAC-NY10854,NELAC-NY12058,NJDEP,PADEP	04/02/2019 07:28	04/02/2019 19:12	LLJ
591-78-6	2-Hexanone	ND		ug/kg dry	1.3	2.5	1	EPA 8260C Certifications: CTDOH,NELAC-NY10854,NELAC-NY12058,NJDEP,PADEP	04/02/2019 07:28	04/02/2019 19:12	LLJ
108-10-1	4-Methyl-2-pentanone	ND		ug/kg dry	1.3	2.5	1	EPA 8260C Certifications: CTDOH,NELAC-NY10854,NELAC-NY12058,NJDEP,PADEP	04/02/2019 07:28	04/02/2019 19:12	LLJ
67-64-1	Acetone	ND		ug/kg dry	2.5	5.1	1	EPA 8260C Certifications: CTDOH,NELAC-NY10854,NELAC-NY12058,NJDEP,PADEP	04/02/2019 07:28	04/02/2019 19:12	LLJ
107-02-8	Acrolein	ND		ug/kg dry	2.5	5.1	1	EPA 8260C Certifications: CTDOH,NELAC-NY10854,NELAC-NY12058,NJDEP,PADEP	04/02/2019 07:28	04/02/2019 19:12	LLJ
107-13-1	Acrylonitrile	ND		ug/kg dry	1.3	2.5	1	EPA 8260C Certifications: CTDOH,NELAC-NY10854,NELAC-NY12058,NJDEP,PADEP	04/02/2019 07:28	04/02/2019 19:12	LLJ
71-43-2	Benzene	ND		ug/kg dry	1.3	2.5	1	EPA 8260C Certifications: CTDOH,NELAC-NY10854,NELAC-NY12058,NJDEP,PADEP	04/02/2019 07:28	04/02/2019 19:12	LLJ
74-97-5	Bromochloromethane	ND		ug/kg dry	1.3	2.5	1	EPA 8260C Certifications: NELAC-NY10854,NELAC-NY12058,NJDEP,PADEP	04/02/2019 07:28	04/02/2019 19:12	LLJ
75-27-4	Bromodichloromethane	ND		ug/kg dry	1.3	2.5	1	EPA 8260C Certifications: CTDOH,NELAC-NY10854,NELAC-NY12058,NJDEP,PADEP	04/02/2019 07:28	04/02/2019 19:12	LLJ
75-25-2	Bromoform	ND		ug/kg dry	1.3	2.5	1	EPA 8260C Certifications: CTDOH,NELAC-NY10854,NELAC-NY12058,NJDEP,PADEP	04/02/2019 07:28	04/02/2019 19:12	LLJ
74-83-9	Bromomethane	ND		ug/kg dry	1.3	2.5	1	EPA 8260C Certifications: CTDOH,NELAC-NY10854,NELAC-NY12058,NJDEP,PADEP	04/02/2019 07:28	04/02/2019 19:12	LLJ
75-15-0	Carbon disulfide	ND		ug/kg dry	1.3	2.5	1	EPA 8260C Certifications: CTDOH,NELAC-NY10854,NELAC-NY12058,NJDEP,PADEP	04/02/2019 07:28	04/02/2019 19:12	LLJ
56-23-5	Carbon tetrachloride	ND		ug/kg dry	1.3	2.5	1	EPA 8260C Certifications: CTDOH,NELAC-NY10854,NELAC-NY12058,NJDEP,PADEP	04/02/2019 07:28	04/02/2019 19:12	LLJ



### Sample Information

**Client Sample ID:** PD1-SB-104 (7.5-8.5') Grab

**York Sample ID:** 19C1272-20

York Project (SDG) No.

Client Project ID

Matrix

Collection Date/Time

Date Received

19C1272

1602600 Former Safety Kleen

Soil

March 28, 2019 3:00 pm

03/29/2019

**Volatile Organics, 8260 - Comprehensive**

**Log-in Notes:**

**Sample Notes:**

Sample Prepared by Method: EPA 5035A

CAS No.	Parameter	Result	Flag	Units	Reported to LOD/MDL	LOQ	Dilution	Reference Method	Date/Time Prepared	Date/Time Analyzed	Analyst
108-90-7	Chlorobenzene	ND		ug/kg dry	1.3	2.5	1	EPA 8260C Certifications: CTDOH,NELAC-NY10854,NELAC-NY12058,NJDEP,PADEP	04/02/2019 07:28	04/02/2019 19:12	LLJ
75-00-3	Chloroethane	ND		ug/kg dry	1.3	2.5	1	EPA 8260C Certifications: CTDOH,NELAC-NY10854,NELAC-NY12058,NJDEP,PADEP	04/02/2019 07:28	04/02/2019 19:12	LLJ
67-66-3	Chloroform	ND		ug/kg dry	1.3	2.5	1	EPA 8260C Certifications: CTDOH,NELAC-NY10854,NELAC-NY12058,NJDEP,PADEP	04/02/2019 07:28	04/02/2019 19:12	LLJ
74-87-3	Chloromethane	ND		ug/kg dry	1.3	2.5	1	EPA 8260C Certifications: CTDOH,NELAC-NY10854,NELAC-NY12058,NJDEP,PADEP	04/02/2019 07:28	04/02/2019 19:12	LLJ
156-59-2	cis-1,2-Dichloroethylene	ND		ug/kg dry	1.3	2.5	1	EPA 8260C Certifications: CTDOH,NELAC-NY10854,NELAC-NY12058,NJDEP,PADEP	04/02/2019 07:28	04/02/2019 19:12	LLJ
10061-01-5	cis-1,3-Dichloropropylene	ND		ug/kg dry	1.3	2.5	1	EPA 8260C Certifications: CTDOH,NELAC-NY10854,NELAC-NY12058,NJDEP,PADEP	04/02/2019 07:28	04/02/2019 19:12	LLJ
110-82-7	Cyclohexane	ND		ug/kg dry	1.3	2.5	1	EPA 8260C Certifications: NELAC-NY10854,NELAC-NY12058,NJDEP,PADEP	04/02/2019 07:28	04/02/2019 19:12	LLJ
124-48-1	Dibromochloromethane	ND		ug/kg dry	1.3	2.5	1	EPA 8260C Certifications: NELAC-NY10854,NELAC-NY12058,NJDEP,PADEP	04/02/2019 07:28	04/02/2019 19:12	LLJ
74-95-3	Dibromomethane	ND		ug/kg dry	1.3	2.5	1	EPA 8260C Certifications: NELAC-NY10854,NELAC-NY12058,NJDEP,PADEP	04/02/2019 07:28	04/02/2019 19:12	LLJ
75-71-8	Dichlorodifluoromethane	ND		ug/kg dry	1.3	2.5	1	EPA 8260C Certifications: NELAC-NY10854,NELAC-NY12058,NJDEP,PADEP	04/02/2019 07:28	04/02/2019 19:12	LLJ
100-41-4	Ethyl Benzene	ND		ug/kg dry	1.3	2.5	1	EPA 8260C Certifications: CTDOH,NELAC-NY10854,NELAC-NY12058,NJDEP,PADEP	04/02/2019 07:28	04/02/2019 19:12	LLJ
87-68-3	Hexachlorobutadiene	ND		ug/kg dry	1.3	2.5	1	EPA 8260C Certifications: NELAC-NY10854,NELAC-NY12058,NJDEP,PADEP	04/02/2019 07:28	04/02/2019 19:12	LLJ
98-82-8	Isopropylbenzene	ND		ug/kg dry	1.3	2.5	1	EPA 8260C Certifications: CTDOH,NELAC-NY10854,NELAC-NY12058,NJDEP,PADEP	04/02/2019 07:28	04/02/2019 19:12	LLJ
79-20-9	Methyl acetate	ND		ug/kg dry	1.3	2.5	1	EPA 8260C Certifications: NELAC-NY10854,NELAC-NY12058,NJDEP,PADEP	04/02/2019 07:28	04/02/2019 19:12	LLJ
1634-04-4	Methyl tert-butyl ether (MTBE)	ND		ug/kg dry	1.3	2.5	1	EPA 8260C Certifications: CTDOH,NELAC-NY10854,NELAC-NY12058,NJDEP,PADEP	04/02/2019 07:28	04/02/2019 19:12	LLJ
108-87-2	Methylcyclohexane	ND		ug/kg dry	1.3	2.5	1	EPA 8260C Certifications: NELAC-NY10854,NELAC-NY12058,NJDEP,PADEP	04/02/2019 07:28	04/02/2019 19:12	LLJ
75-09-2	<b>Methylene chloride</b>	<b>2.8</b>	J	ug/kg dry	2.5	5.1	1	EPA 8260C Certifications: CTDOH,NELAC-NY10854,NELAC-NY12058,NJDEP,PADEP	04/02/2019 07:28	04/02/2019 19:12	LLJ
104-51-8	n-Butylbenzene	ND		ug/kg dry	1.3	2.5	1	EPA 8260C Certifications: CTDOH,NELAC-NY10854,NELAC-NY12058,NJDEP,PADEP	04/02/2019 07:28	04/02/2019 19:12	LLJ
103-65-1	n-Propylbenzene	ND		ug/kg dry	1.3	2.5	1	EPA 8260C Certifications: CTDOH,NELAC-NY10854,NELAC-NY12058,NJDEP,PADEP	04/02/2019 07:28	04/02/2019 19:12	LLJ
95-47-6	o-Xylene	ND		ug/kg dry	1.3	2.5	1	EPA 8260C Certifications: CTDOH,NELAC-NY10854,NELAC-NY12058,NJDEP,PADEP	04/02/2019 07:28	04/02/2019 19:12	LLJ
179601-23-1	p- & m- Xylenes	ND		ug/kg dry	2.5	5.1	1	EPA 8260C Certifications: CTDOH,NELAC-NY10854,NELAC-NY12058,NJDEP,PADEP	04/02/2019 07:28	04/02/2019 19:12	LLJ
99-87-6	p-Isopropyltoluene	ND		ug/kg dry	1.3	2.5	1	EPA 8260C Certifications: CTDOH,NELAC-NY10854,NELAC-NY12058,NJDEP,PADEP	04/02/2019 07:28	04/02/2019 19:12	LLJ
135-98-8	sec-Butylbenzene	ND		ug/kg dry	1.3	2.5	1	EPA 8260C Certifications: CTDOH,NELAC-NY10854,NELAC-NY12058,NJDEP,PADEP	04/02/2019 07:28	04/02/2019 19:12	LLJ



### Sample Information

**Client Sample ID:** PD1-SB-104 (7.5-8.5') Grab

**York Sample ID:** 19C1272-20

<u>York Project (SDG) No.</u> 19C1272	<u>Client Project ID</u> 1602600 Former Safety Kleen	<u>Matrix</u> Soil	<u>Collection Date/Time</u> March 28, 2019 3:00 pm	<u>Date Received</u> 03/29/2019
--	---	-----------------------	---	------------------------------------

**Volatile Organics, 8260 - Comprehensive**

**Log-in Notes:**

**Sample Notes:**

Sample Prepared by Method: EPA 5035A

CAS No.	Parameter	Result	Flag	Units	Reported to LOD/MDL	LOQ	Dilution	Reference Method	Date/Time Prepared	Date/Time Analyzed	Analyst
100-42-5	Styrene	ND		ug/kg dry	1.3	2.5	1	EPA 8260C Certifications: CTDOH,NELAC-NY10854,NELAC-NY12058,NJDEP,PADEP	04/02/2019 07:28	04/02/2019 19:12	LLJ
75-65-0	tert-Butyl alcohol (TBA)	ND		ug/kg dry	1.3	2.5	1	EPA 8260C Certifications: NELAC-NY10854,NELAC-NY12058,NJDEP,PADEP	04/02/2019 07:28	04/02/2019 19:12	LLJ
98-06-6	tert-Butylbenzene	ND		ug/kg dry	1.3	2.5	1	EPA 8260C Certifications: CTDOH,NELAC-NY10854,NELAC-NY12058,NJDEP,PADEP	04/02/2019 07:28	04/02/2019 19:12	LLJ
127-18-4	<b>Tetrachloroethylene</b>	<b>1200</b>	VOA-E, E	ug/kg dry	1.3	2.5	1	EPA 8260C Certifications: CTDOH,NELAC-NY10854,NELAC-NY12058,NJDEP,PADEP	04/02/2019 07:28	04/02/2019 19:12	LLJ
108-88-3	Toluene	ND		ug/kg dry	1.3	2.5	1	EPA 8260C Certifications: CTDOH,NELAC-NY10854,NELAC-NY12058,NJDEP,PADEP	04/02/2019 07:28	04/02/2019 19:12	LLJ
156-60-5	trans-1,2-Dichloroethylene	ND		ug/kg dry	1.3	2.5	1	EPA 8260C Certifications: CTDOH,NELAC-NY10854,NELAC-NY12058,NJDEP,PADEP	04/02/2019 07:28	04/02/2019 19:12	LLJ
10061-02-6	trans-1,3-Dichloropropylene	ND		ug/kg dry	1.3	2.5	1	EPA 8260C Certifications: CTDOH,NELAC-NY10854,NELAC-NY12058,NJDEP,PADEP	04/02/2019 07:28	04/02/2019 19:12	LLJ
110-57-6	* trans-1,4-dichloro-2-butene	ND		ug/kg dry	1.3	2.5	1	EPA 8260C Certifications: CTDOH	04/02/2019 07:28	04/02/2019 19:12	LLJ
79-01-6	Trichloroethylene	ND		ug/kg dry	1.3	2.5	1	EPA 8260C Certifications: CTDOH,NELAC-NY10854,NELAC-NY12058,NJDEP,PADEP	04/02/2019 07:28	04/02/2019 19:12	LLJ
75-69-4	Trichlorofluoromethane	ND		ug/kg dry	1.3	2.5	1	EPA 8260C Certifications: CTDOH,NELAC-NY10854,NELAC-NY12058,NJDEP,PADEP	04/02/2019 07:28	04/02/2019 19:12	LLJ
75-01-4	Vinyl Chloride	ND		ug/kg dry	1.3	2.5	1	EPA 8260C Certifications: CTDOH,NELAC-NY10854,NELAC-NY12058,NJDEP,PADEP	04/02/2019 07:28	04/02/2019 19:12	LLJ
1330-20-7	Xylenes, Total	ND		ug/kg dry	3.8	7.6	1	EPA 8260C Certifications: CTDOH,NELAC-NY10854,NELAC-NY12058,NJDEP	04/02/2019 07:28	04/02/2019 19:12	LLJ
<b>Surrogate Recoveries</b>		<b>Result</b>			<b>Acceptance Range</b>						
17060-07-0	Surrogate: SURR: 1,2-Dichloroethane-d4	104 %			77-125						
2037-26-5	Surrogate: SURR: Toluene-d8	94.3 %			85-120						
460-00-4	Surrogate: SURR: p-Bromofluorobenzene	98.8 %			76-130						

**Total Solids**

**Log-in Notes:**

**Sample Notes:**

Sample Prepared by Method: % Solids Prep

CAS No.	Parameter	Result	Flag	Units	Reported to LOQ	Dilution	Reference Method	Date/Time Prepared	Date/Time Analyzed	Analyst
solids	* % Solids	88.4		%	0.100	1	SM 2540G Certifications: CTDOH	04/04/2019 11:00	04/05/2019 12:58	AS

### Sample Information

**Client Sample ID:** PD1-SB-104 (8.5-9.5') Grab

**York Sample ID:** 19C1272-21

<u>York Project (SDG) No.</u> 19C1272	<u>Client Project ID</u> 1602600 Former Safety Kleen	<u>Matrix</u> Soil	<u>Collection Date/Time</u> March 28, 2019 3:05 pm	<u>Date Received</u> 03/29/2019
--	---	-----------------------	---	------------------------------------



### Sample Information

**Client Sample ID:** PD1-SB-104 (8.5-9.5') Grab

**York Sample ID:** 19C1272-21

York Project (SDG) No.

Client Project ID

Matrix

Collection Date/Time

Date Received

19C1272

1602600 Former Safety Kleen

Soil

March 28, 2019 3:05 pm

03/29/2019

**Volatile Organics, 8260 - Comprehensive**

**Log-in Notes:**

**Sample Notes:**

Sample Prepared by Method: EPA 5035A

CAS No.	Parameter	Result	Flag	Units	Reported to LOD/MDL	LOQ	Dilution	Reference Method	Date/Time Prepared	Date/Time Analyzed	Analyst
630-20-6	1,1,1,2-Tetrachloroethane	ND		ug/kg dry	290	570	100	EPA 8260C Certifications: CTDOH,NELAC-NY10854,NELAC-NY12058,NJDEP,PADEP	04/02/2019 07:28	04/05/2019 12:22	LLJ
71-55-6	1,1,1-Trichloroethane	ND		ug/kg dry	290	570	100	EPA 8260C Certifications: CTDOH,NELAC-NY10854,NELAC-NY12058,NJDEP,PADEP	04/02/2019 07:28	04/05/2019 12:22	LLJ
79-34-5	1,1,2,2-Tetrachloroethane	ND		ug/kg dry	290	570	100	EPA 8260C Certifications: CTDOH,NELAC-NY10854,NELAC-NY12058,NJDEP,PADEP	04/02/2019 07:28	04/05/2019 12:22	LLJ
76-13-1	1,1,2-Trichloro-1,2,2-trifluoroethane (Freon 113)	ND		ug/kg dry	290	570	100	EPA 8260C Certifications: CTDOH,NELAC-NY10854,NELAC-NY12058,NJDEP	04/02/2019 07:28	04/05/2019 12:22	LLJ
79-00-5	1,1,2-Trichloroethane	ND		ug/kg dry	290	570	100	EPA 8260C Certifications: CTDOH,NELAC-NY10854,NELAC-NY12058,NJDEP,PADEP	04/02/2019 07:28	04/05/2019 12:22	LLJ
75-34-3	1,1-Dichloroethane	ND		ug/kg dry	290	570	100	EPA 8260C Certifications: CTDOH,NELAC-NY10854,NELAC-NY12058,NJDEP,PADEP	04/02/2019 07:28	04/05/2019 12:22	LLJ
75-35-4	1,1-Dichloroethylene	ND		ug/kg dry	290	570	100	EPA 8260C Certifications: CTDOH,NELAC-NY10854,NELAC-NY12058,NJDEP,PADEP	04/02/2019 07:28	04/05/2019 12:22	LLJ
87-61-6	1,2,3-Trichlorobenzene	ND		ug/kg dry	290	570	100	EPA 8260C Certifications: NELAC-NY10854,NELAC-NY12058,NJDEP,PADEP	04/02/2019 07:28	04/05/2019 12:22	LLJ
96-18-4	1,2,3-Trichloropropane	ND		ug/kg dry	290	570	100	EPA 8260C Certifications: NELAC-NY10854,NELAC-NY12058,NJDEP	04/02/2019 07:28	04/05/2019 12:22	LLJ
120-82-1	1,2,4-Trichlorobenzene	ND		ug/kg dry	290	570	100	EPA 8260C Certifications: NELAC-NY10854,NELAC-NY12058,NJDEP,PADEP	04/02/2019 07:28	04/05/2019 12:22	LLJ
95-63-6	1,2,4-Trimethylbenzene	ND		ug/kg dry	290	570	100	EPA 8260C Certifications: CTDOH,NELAC-NY10854,NELAC-NY12058,NJDEP,PADEP	04/02/2019 07:28	04/05/2019 12:22	LLJ
96-12-8	1,2-Dibromo-3-chloropropane	ND		ug/kg dry	290	570	100	EPA 8260C Certifications: CTDOH,NELAC-NY10854,NELAC-NY12058,NJDEP,PADEP	04/02/2019 07:28	04/05/2019 12:22	LLJ
106-93-4	1,2-Dibromoethane	ND		ug/kg dry	290	570	100	EPA 8260C Certifications: CTDOH,NELAC-NY10854,NELAC-NY12058,NJDEP,PADEP	04/02/2019 07:28	04/05/2019 12:22	LLJ
95-50-1	1,2-Dichlorobenzene	ND		ug/kg dry	290	570	100	EPA 8260C Certifications: CTDOH,NELAC-NY10854,NELAC-NY12058,NJDEP,PADEP	04/02/2019 07:28	04/05/2019 12:22	LLJ
107-06-2	1,2-Dichloroethane	ND		ug/kg dry	290	570	100	EPA 8260C Certifications: CTDOH,NELAC-NY10854,NELAC-NY12058,NJDEP,PADEP	04/02/2019 07:28	04/05/2019 12:22	LLJ
78-87-5	1,2-Dichloropropane	ND		ug/kg dry	290	570	100	EPA 8260C Certifications: CTDOH,NELAC-NY10854,NELAC-NY12058,NJDEP,PADEP	04/02/2019 07:28	04/05/2019 12:22	LLJ
108-67-8	1,3,5-Trimethylbenzene	ND		ug/kg dry	290	570	100	EPA 8260C Certifications: CTDOH,NELAC-NY10854,NELAC-NY12058,NJDEP,PADEP	04/02/2019 07:28	04/05/2019 12:22	LLJ
541-73-1	1,3-Dichlorobenzene	ND		ug/kg dry	290	570	100	EPA 8260C Certifications: CTDOH,NELAC-NY10854,NELAC-NY12058,NJDEP,PADEP	04/02/2019 07:28	04/05/2019 12:22	LLJ
106-46-7	1,4-Dichlorobenzene	ND		ug/kg dry	290	570	100	EPA 8260C Certifications: CTDOH,NELAC-NY10854,NELAC-NY12058,NJDEP,PADEP	04/02/2019 07:28	04/05/2019 12:22	LLJ
123-91-1	1,4-Dioxane	ND		ug/kg dry	5700	11000	100	EPA 8260C Certifications: NELAC-NY10854,NELAC-NY12058,NJDEP,PADEP	04/02/2019 07:28	04/05/2019 12:22	LLJ
78-93-3	2-Butanone	ND		ug/kg dry	290	570	100	EPA 8260C Certifications: CTDOH,NELAC-NY10854,NELAC-NY12058,NJDEP,PADEP	04/02/2019 07:28	04/05/2019 12:22	LLJ
591-78-6	2-Hexanone	ND		ug/kg dry	290	570	100	EPA 8260C Certifications: CTDOH,NELAC-NY10854,NELAC-NY12058,NJDEP,PADEP	04/02/2019 07:28	04/05/2019 12:22	LLJ
108-10-1	4-Methyl-2-pentanone	ND		ug/kg dry	290	570	100	EPA 8260C Certifications: CTDOH,NELAC-NY10854,NELAC-NY12058,NJDEP,PADEP	04/02/2019 07:28	04/05/2019 12:22	LLJ



### Sample Information

**Client Sample ID:** PD1-SB-104 (8.5-9.5') Grab

**York Sample ID:** 19C1272-21

York Project (SDG) No.

Client Project ID

Matrix

Collection Date/Time

Date Received

19C1272

1602600 Former Safety Kleen

Soil

March 28, 2019 3:05 pm

03/29/2019

**Volatile Organics, 8260 - Comprehensive**

**Log-in Notes:**

**Sample Notes:**

Sample Prepared by Method: EPA 5035A

CAS No.	Parameter	Result	Flag	Units	Reported to LOD/MDL	LOQ	Dilution	Reference Method	Date/Time Prepared	Date/Time Analyzed	Analyst
67-64-1	Acetone	ND		ug/kg dry	570	1100	100	EPA 8260C Certifications: CTDOH,NELAC-NY10854,NELAC-NY12058,NJDEP,PADEP	04/02/2019 07:28	04/05/2019 12:22	LLJ
107-02-8	Acrolein	ND		ug/kg dry	570	1100	100	EPA 8260C Certifications: CTDOH,NELAC-NY10854,NELAC-NY12058,NJDEP,PADEP	04/02/2019 07:28	04/05/2019 12:22	LLJ
107-13-1	Acrylonitrile	ND		ug/kg dry	290	570	100	EPA 8260C Certifications: CTDOH,NELAC-NY10854,NELAC-NY12058,NJDEP,PADEP	04/02/2019 07:28	04/05/2019 12:22	LLJ
71-43-2	Benzene	ND		ug/kg dry	290	570	100	EPA 8260C Certifications: CTDOH,NELAC-NY10854,NELAC-NY12058,NJDEP,PADEP	04/02/2019 07:28	04/05/2019 12:22	LLJ
74-97-5	Bromochloromethane	ND		ug/kg dry	290	570	100	EPA 8260C Certifications: NELAC-NY10854,NELAC-NY12058,NJDEP,PADEP	04/02/2019 07:28	04/05/2019 12:22	LLJ
75-27-4	Bromodichloromethane	ND		ug/kg dry	290	570	100	EPA 8260C Certifications: CTDOH,NELAC-NY10854,NELAC-NY12058,NJDEP,PADEP	04/02/2019 07:28	04/05/2019 12:22	LLJ
75-25-2	Bromoform	ND		ug/kg dry	290	570	100	EPA 8260C Certifications: CTDOH,NELAC-NY10854,NELAC-NY12058,NJDEP,PADEP	04/02/2019 07:28	04/05/2019 12:22	LLJ
74-83-9	Bromomethane	ND		ug/kg dry	290	570	100	EPA 8260C Certifications: CTDOH,NELAC-NY10854,NELAC-NY12058,NJDEP,PADEP	04/02/2019 07:28	04/05/2019 12:22	LLJ
75-15-0	Carbon disulfide	ND		ug/kg dry	290	570	100	EPA 8260C Certifications: CTDOH,NELAC-NY10854,NELAC-NY12058,NJDEP,PADEP	04/02/2019 07:28	04/05/2019 12:22	LLJ
56-23-5	Carbon tetrachloride	ND		ug/kg dry	290	570	100	EPA 8260C Certifications: CTDOH,NELAC-NY10854,NELAC-NY12058,NJDEP,PADEP	04/02/2019 07:28	04/05/2019 12:22	LLJ
108-90-7	Chlorobenzene	ND		ug/kg dry	290	570	100	EPA 8260C Certifications: CTDOH,NELAC-NY10854,NELAC-NY12058,NJDEP,PADEP	04/02/2019 07:28	04/05/2019 12:22	LLJ
75-00-3	Chloroethane	ND		ug/kg dry	290	570	100	EPA 8260C Certifications: CTDOH,NELAC-NY10854,NELAC-NY12058,NJDEP,PADEP	04/02/2019 07:28	04/05/2019 12:22	LLJ
67-66-3	Chloroform	ND		ug/kg dry	290	570	100	EPA 8260C Certifications: CTDOH,NELAC-NY10854,NELAC-NY12058,NJDEP,PADEP	04/02/2019 07:28	04/05/2019 12:22	LLJ
74-87-3	Chloromethane	ND		ug/kg dry	290	570	100	EPA 8260C Certifications: CTDOH,NELAC-NY10854,NELAC-NY12058,NJDEP,PADEP	04/02/2019 07:28	04/05/2019 12:22	LLJ
156-59-2	cis-1,2-Dichloroethylene	ND		ug/kg dry	290	570	100	EPA 8260C Certifications: CTDOH,NELAC-NY10854,NELAC-NY12058,NJDEP,PADEP	04/02/2019 07:28	04/05/2019 12:22	LLJ
10061-01-5	cis-1,3-Dichloropropylene	ND		ug/kg dry	290	570	100	EPA 8260C Certifications: CTDOH,NELAC-NY10854,NELAC-NY12058,NJDEP,PADEP	04/02/2019 07:28	04/05/2019 12:22	LLJ
110-82-7	Cyclohexane	ND		ug/kg dry	290	570	100	EPA 8260C Certifications: NELAC-NY10854,NELAC-NY12058,NJDEP,PADEP	04/02/2019 07:28	04/05/2019 12:22	LLJ
124-48-1	Dibromochloromethane	ND		ug/kg dry	290	570	100	EPA 8260C Certifications: NELAC-NY10854,NELAC-NY12058,NJDEP,PADEP	04/02/2019 07:28	04/05/2019 12:22	LLJ
74-95-3	Dibromomethane	ND		ug/kg dry	290	570	100	EPA 8260C Certifications: NELAC-NY10854,NELAC-NY12058,NJDEP,PADEP	04/02/2019 07:28	04/05/2019 12:22	LLJ
75-71-8	Dichlorodifluoromethane	ND		ug/kg dry	290	570	100	EPA 8260C Certifications: NELAC-NY10854,NELAC-NY12058,NJDEP,PADEP	04/02/2019 07:28	04/05/2019 12:22	LLJ
100-41-4	Ethyl Benzene	ND		ug/kg dry	290	570	100	EPA 8260C Certifications: CTDOH,NELAC-NY10854,NELAC-NY12058,NJDEP,PADEP	04/02/2019 07:28	04/05/2019 12:22	LLJ
87-68-3	Hexachlorobutadiene	ND		ug/kg dry	290	570	100	EPA 8260C Certifications: NELAC-NY10854,NELAC-NY12058,NJDEP,PADEP	04/02/2019 07:28	04/05/2019 12:22	LLJ
98-82-8	Isopropylbenzene	ND		ug/kg dry	290	570	100	EPA 8260C Certifications: CTDOH,NELAC-NY10854,NELAC-NY12058,NJDEP,PADEP	04/02/2019 07:28	04/05/2019 12:22	LLJ



### Sample Information

**Client Sample ID:** PD1-SB-104 (8.5-9.5') Grab

**York Sample ID:** 19C1272-21

York Project (SDG) No.

Client Project ID

Matrix

Collection Date/Time

Date Received

19C1272

1602600 Former Safety Kleen

Soil

March 28, 2019 3:05 pm

03/29/2019

**Volatile Organics, 8260 - Comprehensive**

**Log-in Notes:**

**Sample Notes:**

Sample Prepared by Method: EPA 5035A

CAS No.	Parameter	Result	Flag	Units	Reported to LOD/MDL	LOQ	Dilution	Reference Method	Date/Time Prepared	Date/Time Analyzed	Analyst
79-20-9	Methyl acetate	ND		ug/kg dry	290	570	100	EPA 8260C Certifications: NELAC-NY10854,NELAC-NY12058,NJDEP,PADEP	04/02/2019 07:28	04/05/2019 12:22	LLJ
1634-04-4	Methyl tert-butyl ether (MTBE)	ND		ug/kg dry	290	570	100	EPA 8260C Certifications: CTDOH,NELAC-NY10854,NELAC-NY12058,NJDEP,PADEP	04/02/2019 07:28	04/05/2019 12:22	LLJ
108-87-2	Methylcyclohexane	ND		ug/kg dry	290	570	100	EPA 8260C Certifications: NELAC-NY10854,NELAC-NY12058,NJDEP,PADEP	04/02/2019 07:28	04/05/2019 12:22	LLJ
75-09-2	Methylene chloride	ND		ug/kg dry	570	1100	100	EPA 8260C Certifications: CTDOH,NELAC-NY10854,NELAC-NY12058,NJDEP,PADEP	04/02/2019 07:28	04/05/2019 12:22	LLJ
104-51-8	n-Butylbenzene	ND		ug/kg dry	290	570	100	EPA 8260C Certifications: CTDOH,NELAC-NY10854,NELAC-NY12058,NJDEP,PADEP	04/02/2019 07:28	04/05/2019 12:22	LLJ
103-65-1	n-Propylbenzene	ND		ug/kg dry	290	570	100	EPA 8260C Certifications: CTDOH,NELAC-NY10854,NELAC-NY12058,NJDEP,PADEP	04/02/2019 07:28	04/05/2019 12:22	LLJ
95-47-6	o-Xylene	ND		ug/kg dry	290	570	100	EPA 8260C Certifications: CTDOH,NELAC-NY10854,NELAC-NY12058,PADEP	04/02/2019 07:28	04/05/2019 12:22	LLJ
179601-23-1	p- & m- Xylenes	ND		ug/kg dry	570	1100	100	EPA 8260C Certifications: CTDOH,NELAC-NY10854,NELAC-NY12058,PADEP	04/02/2019 07:28	04/05/2019 12:22	LLJ
99-87-6	p-Isopropyltoluene	ND		ug/kg dry	290	570	100	EPA 8260C Certifications: CTDOH,NELAC-NY10854,NELAC-NY12058,NJDEP,PADEP	04/02/2019 07:28	04/05/2019 12:22	LLJ
135-98-8	sec-Butylbenzene	ND		ug/kg dry	290	570	100	EPA 8260C Certifications: CTDOH,NELAC-NY10854,NELAC-NY12058,NJDEP,PADEP	04/02/2019 07:28	04/05/2019 12:22	LLJ
100-42-5	Styrene	ND		ug/kg dry	290	570	100	EPA 8260C Certifications: CTDOH,NELAC-NY10854,NELAC-NY12058,NJDEP,PADEP	04/02/2019 07:28	04/05/2019 12:22	LLJ
75-65-0	tert-Butyl alcohol (TBA)	ND		ug/kg dry	290	570	100	EPA 8260C Certifications: NELAC-NY10854,NELAC-NY12058,NJDEP,PADEP	04/02/2019 07:28	04/05/2019 12:22	LLJ
98-06-6	tert-Butylbenzene	ND		ug/kg dry	290	570	100	EPA 8260C Certifications: CTDOH,NELAC-NY10854,NELAC-NY12058,NJDEP,PADEP	04/02/2019 07:28	04/05/2019 12:22	LLJ
127-18-4	<b>Tetrachloroethylene</b>	<b>6400</b>		ug/kg dry	290	570	100	EPA 8260C Certifications: CTDOH,NELAC-NY10854,NELAC-NY12058,NJDEP,PADEP	04/02/2019 07:28	04/05/2019 12:22	LLJ
108-88-3	Toluene	ND		ug/kg dry	290	570	100	EPA 8260C Certifications: CTDOH,NELAC-NY10854,NELAC-NY12058,NJDEP,PADEP	04/02/2019 07:28	04/05/2019 12:22	LLJ
156-60-5	trans-1,2-Dichloroethylene	ND		ug/kg dry	290	570	100	EPA 8260C Certifications: CTDOH,NELAC-NY10854,NELAC-NY12058,NJDEP,PADEP	04/02/2019 07:28	04/05/2019 12:22	LLJ
10061-02-6	trans-1,3-Dichloropropylene	ND		ug/kg dry	290	570	100	EPA 8260C Certifications: CTDOH,NELAC-NY10854,NELAC-NY12058,NJDEP,PADEP	04/02/2019 07:28	04/05/2019 12:22	LLJ
110-57-6	* trans-1,4-dichloro-2-butene	ND		ug/kg dry	290	570	100	EPA 8260C Certifications: CTDOH	04/02/2019 07:28	04/05/2019 12:22	LLJ
79-01-6	Trichloroethylene	ND		ug/kg dry	290	570	100	EPA 8260C Certifications: CTDOH,NELAC-NY10854,NELAC-NY12058,NJDEP,PADEP	04/02/2019 07:28	04/05/2019 12:22	LLJ
75-69-4	Trichlorofluoromethane	ND		ug/kg dry	290	570	100	EPA 8260C Certifications: CTDOH,NELAC-NY10854,NELAC-NY12058,NJDEP,PADEP	04/02/2019 07:28	04/05/2019 12:22	LLJ
75-01-4	Vinyl Chloride	ND		ug/kg dry	290	570	100	EPA 8260C Certifications: CTDOH,NELAC-NY10854,NELAC-NY12058,NJDEP,PADEP	04/02/2019 07:28	04/05/2019 12:22	LLJ
1330-20-7	Xylenes, Total	ND		ug/kg dry	860	1700	100	EPA 8260C Certifications: CTDOH,NELAC-NY10854,NELAC-NY12058,NJDEP	04/02/2019 07:28	04/05/2019 12:22	LLJ
	<b>Surrogate Recoveries</b>	<b>Result</b>		<b>Acceptance Range</b>							
17060-07-0	Surrogate: SURR: 1,2-Dichloroethane-d4	97.9 %		77-125							





### Sample Information

**Client Sample ID:** PD1-SB-104 (8.5-9.5') Grab

**York Sample ID:** 19C1272-21

<u>York Project (SDG) No.</u> 19C1272	<u>Client Project ID</u> 1602600 Former Safety Kleen	<u>Matrix</u> Soil	<u>Collection Date/Time</u> March 28, 2019 3:05 pm	<u>Date Received</u> 03/29/2019
--	---	-----------------------	---	------------------------------------

**Volatile Organics, 8260 - Comprehensive**

**Log-in Notes:**

**Sample Notes:**

Sample Prepared by Method: EPA 5035A

CAS No.	Parameter	Result	Flag	Units	Reported to LOD/MDL	LOQ	Dilution	Reference Method	Date/Time Prepared	Date/Time Analyzed	Analyst
2037-26-5	Surrogate: SURR: Toluene-d8	105 %			85-120						
460-00-4	Surrogate: SURR: p-Bromofluorobenzene	101 %			76-130						

**Total Solids**

**Log-in Notes:**

**Sample Notes:**

Sample Prepared by Method: % Solids Prep

CAS No.	Parameter	Result	Flag	Units	Reported to LOQ	Dilution	Reference Method	Date/Time Prepared	Date/Time Analyzed	Analyst
solids	* % Solids	87.7		%	0.100	1	SM 2540G Certifications: CTDOH	04/04/2019 11:00	04/05/2019 13:04	AS

### Sample Information

**Client Sample ID:** PD1-SB-104 (9.5-12') Grab

**York Sample ID:** 19C1272-22

<u>York Project (SDG) No.</u> 19C1272	<u>Client Project ID</u> 1602600 Former Safety Kleen	<u>Matrix</u> Soil	<u>Collection Date/Time</u> March 28, 2019 3:10 pm	<u>Date Received</u> 03/29/2019
--	---	-----------------------	---	------------------------------------

**Volatile Organics, 8260 - Comprehensive**

**Log-in Notes:**

**Sample Notes:**

Sample Prepared by Method: EPA 5035A

CAS No.	Parameter	Result	Flag	Units	Reported to LOD/MDL	LOQ	Dilution	Reference Method	Date/Time Prepared	Date/Time Analyzed	Analyst
630-20-6	1,1,1,2-Tetrachloroethane	ND		ug/kg dry	27000	55000	10000	EPA 8260C Certifications: CTDOH,NELAC-NY10854,NELAC-NY12058,NJDEP,PADEP	04/02/2019 07:28	04/05/2019 13:45	LLJ
71-55-6	1,1,1-Trichloroethane	ND		ug/kg dry	27000	55000	10000	EPA 8260C Certifications: CTDOH,NELAC-NY10854,NELAC-NY12058,NJDEP,PADEP	04/02/2019 07:28	04/05/2019 13:45	LLJ
79-34-5	1,1,2,2-Tetrachloroethane	ND		ug/kg dry	27000	55000	10000	EPA 8260C Certifications: CTDOH,NELAC-NY10854,NELAC-NY12058,NJDEP,PADEP	04/02/2019 07:28	04/05/2019 13:45	LLJ
76-13-1	1,1,2-Trichloro-1,2,2-trifluoroethane (Freon 113)	ND		ug/kg dry	27000	55000	10000	EPA 8260C Certifications: CTDOH,NELAC-NY10854,NELAC-NY12058,NJDEP	04/02/2019 07:28	04/05/2019 13:45	LLJ
79-00-5	1,1,2-Trichloroethane	ND		ug/kg dry	27000	55000	10000	EPA 8260C Certifications: CTDOH,NELAC-NY10854,NELAC-NY12058,NJDEP,PADEP	04/02/2019 07:28	04/05/2019 13:45	LLJ
75-34-3	1,1-Dichloroethane	ND		ug/kg dry	27000	55000	10000	EPA 8260C Certifications: CTDOH,NELAC-NY10854,NELAC-NY12058,NJDEP,PADEP	04/02/2019 07:28	04/05/2019 13:45	LLJ
75-35-4	1,1-Dichloroethylene	ND		ug/kg dry	27000	55000	10000	EPA 8260C Certifications: CTDOH,NELAC-NY10854,NELAC-NY12058,NJDEP,PADEP	04/02/2019 07:28	04/05/2019 13:45	LLJ
87-61-6	1,2,3-Trichlorobenzene	ND		ug/kg dry	27000	55000	10000	EPA 8260C Certifications: NELAC-NY10854,NELAC-NY12058,NJDEP,PADEP	04/02/2019 07:28	04/05/2019 13:45	LLJ
96-18-4	1,2,3-Trichloropropane	ND		ug/kg dry	27000	55000	10000	EPA 8260C Certifications: NELAC-NY10854,NELAC-NY12058,NJDEP	04/02/2019 07:28	04/05/2019 13:45	LLJ
120-82-1	1,2,4-Trichlorobenzene	ND		ug/kg dry	27000	55000	10000	EPA 8260C Certifications: NELAC-NY10854,NELAC-NY12058,NJDEP,PADEP	04/02/2019 07:28	04/05/2019 13:45	LLJ



### Sample Information

**Client Sample ID:** PD1-SB-104 (9.5-12') Grab

**York Sample ID:** 19C1272-22

York Project (SDG) No.

Client Project ID

Matrix

Collection Date/Time

Date Received

19C1272

1602600 Former Safety Kleen

Soil

March 28, 2019 3:10 pm

03/29/2019

**Volatile Organics, 8260 - Comprehensive**

**Log-in Notes:**

**Sample Notes:**

Sample Prepared by Method: EPA 5035A

CAS No.	Parameter	Result	Flag	Units	Reported to LOD/MDL	LOQ	Dilution	Reference Method	Date/Time Prepared	Date/Time Analyzed	Analyst
95-63-6	1,2,4-Trimethylbenzene	ND		ug/kg dry	27000	55000	10000	EPA 8260C Certifications: CTDOH,NELAC-NY10854,NELAC-NY12058,NJDEP,PADEP	04/02/2019 07:28	04/05/2019 13:45	LLJ
96-12-8	1,2-Dibromo-3-chloropropane	ND		ug/kg dry	27000	55000	10000	EPA 8260C Certifications: CTDOH,NELAC-NY10854,NELAC-NY12058,NJDEP,PADEP	04/02/2019 07:28	04/05/2019 13:45	LLJ
106-93-4	1,2-Dibromoethane	ND		ug/kg dry	27000	55000	10000	EPA 8260C Certifications: CTDOH,NELAC-NY10854,NELAC-NY12058,NJDEP,PADEP	04/02/2019 07:28	04/05/2019 13:45	LLJ
95-50-1	1,2-Dichlorobenzene	ND		ug/kg dry	27000	55000	10000	EPA 8260C Certifications: CTDOH,NELAC-NY10854,NELAC-NY12058,NJDEP,PADEP	04/02/2019 07:28	04/05/2019 13:45	LLJ
107-06-2	1,2-Dichloroethane	ND		ug/kg dry	27000	55000	10000	EPA 8260C Certifications: CTDOH,NELAC-NY10854,NELAC-NY12058,NJDEP,PADEP	04/02/2019 07:28	04/05/2019 13:45	LLJ
78-87-5	1,2-Dichloropropane	ND		ug/kg dry	27000	55000	10000	EPA 8260C Certifications: CTDOH,NELAC-NY10854,NELAC-NY12058,NJDEP,PADEP	04/02/2019 07:28	04/05/2019 13:45	LLJ
108-67-8	1,3,5-Trimethylbenzene	ND		ug/kg dry	27000	55000	10000	EPA 8260C Certifications: CTDOH,NELAC-NY10854,NELAC-NY12058,NJDEP,PADEP	04/02/2019 07:28	04/05/2019 13:45	LLJ
541-73-1	1,3-Dichlorobenzene	ND		ug/kg dry	27000	55000	10000	EPA 8260C Certifications: CTDOH,NELAC-NY10854,NELAC-NY12058,NJDEP,PADEP	04/02/2019 07:28	04/05/2019 13:45	LLJ
106-46-7	1,4-Dichlorobenzene	ND		ug/kg dry	27000	55000	10000	EPA 8260C Certifications: CTDOH,NELAC-NY10854,NELAC-NY12058,NJDEP,PADEP	04/02/2019 07:28	04/05/2019 13:45	LLJ
123-91-1	1,4-Dioxane	ND		ug/kg dry	550000	1100000	10000	EPA 8260C Certifications: NELAC-NY10854,NELAC-NY12058,NJDEP,PADEP	04/02/2019 07:28	04/05/2019 13:45	LLJ
78-93-3	2-Butanone	ND		ug/kg dry	27000	55000	10000	EPA 8260C Certifications: CTDOH,NELAC-NY10854,NELAC-NY12058,NJDEP,PADEP	04/02/2019 07:28	04/05/2019 13:45	LLJ
591-78-6	2-Hexanone	ND		ug/kg dry	27000	55000	10000	EPA 8260C Certifications: CTDOH,NELAC-NY10854,NELAC-NY12058,NJDEP,PADEP	04/02/2019 07:28	04/05/2019 13:45	LLJ
108-10-1	4-Methyl-2-pentanone	ND		ug/kg dry	27000	55000	10000	EPA 8260C Certifications: CTDOH,NELAC-NY10854,NELAC-NY12058,NJDEP,PADEP	04/02/2019 07:28	04/05/2019 13:45	LLJ
67-64-1	Acetone	ND		ug/kg dry	55000	110000	10000	EPA 8260C Certifications: CTDOH,NELAC-NY10854,NELAC-NY12058,NJDEP,PADEP	04/02/2019 07:28	04/05/2019 13:45	LLJ
107-02-8	Acrolein	ND		ug/kg dry	55000	110000	10000	EPA 8260C Certifications: CTDOH,NELAC-NY10854,NELAC-NY12058,NJDEP,PADEP	04/02/2019 07:28	04/05/2019 13:45	LLJ
107-13-1	Acrylonitrile	ND		ug/kg dry	27000	55000	10000	EPA 8260C Certifications: CTDOH,NELAC-NY10854,NELAC-NY12058,NJDEP,PADEP	04/02/2019 07:28	04/05/2019 13:45	LLJ
71-43-2	Benzene	ND		ug/kg dry	27000	55000	10000	EPA 8260C Certifications: CTDOH,NELAC-NY10854,NELAC-NY12058,NJDEP,PADEP	04/02/2019 07:28	04/05/2019 13:45	LLJ
74-97-5	Bromochloromethane	ND		ug/kg dry	27000	55000	10000	EPA 8260C Certifications: NELAC-NY10854,NELAC-NY12058,NJDEP,PADEP	04/02/2019 07:28	04/05/2019 13:45	LLJ
75-27-4	Bromodichloromethane	ND		ug/kg dry	27000	55000	10000	EPA 8260C Certifications: CTDOH,NELAC-NY10854,NELAC-NY12058,NJDEP,PADEP	04/02/2019 07:28	04/05/2019 13:45	LLJ
75-25-2	Bromoform	ND		ug/kg dry	27000	55000	10000	EPA 8260C Certifications: CTDOH,NELAC-NY10854,NELAC-NY12058,NJDEP,PADEP	04/02/2019 07:28	04/05/2019 13:45	LLJ
74-83-9	Bromomethane	ND		ug/kg dry	27000	55000	10000	EPA 8260C Certifications: CTDOH,NELAC-NY10854,NELAC-NY12058,NJDEP,PADEP	04/02/2019 07:28	04/05/2019 13:45	LLJ
75-15-0	Carbon disulfide	ND		ug/kg dry	27000	55000	10000	EPA 8260C Certifications: CTDOH,NELAC-NY10854,NELAC-NY12058,NJDEP,PADEP	04/02/2019 07:28	04/05/2019 13:45	LLJ
56-23-5	Carbon tetrachloride	ND		ug/kg dry	27000	55000	10000	EPA 8260C Certifications: CTDOH,NELAC-NY10854,NELAC-NY12058,NJDEP,PADEP	04/02/2019 07:28	04/05/2019 13:45	LLJ



### Sample Information

**Client Sample ID:** PD1-SB-104 (9.5-12') Grab

**York Sample ID:** 19C1272-22

York Project (SDG) No.

Client Project ID

Matrix

Collection Date/Time

Date Received

19C1272

1602600 Former Safety Kleen

Soil

March 28, 2019 3:10 pm

03/29/2019

**Volatile Organics, 8260 - Comprehensive**

**Log-in Notes:**

**Sample Notes:**

Sample Prepared by Method: EPA 5035A

CAS No.	Parameter	Result	Flag	Units	Reported to LOD/MDL	LOQ	Dilution	Reference Method	Date/Time Prepared	Date/Time Analyzed	Analyst
108-90-7	Chlorobenzene	ND		ug/kg dry	27000	55000	10000	EPA 8260C Certifications: CTDOH,NELAC-NY10854,NELAC-NY12058,NJDEP,PADEP	04/02/2019 07:28	04/05/2019 13:45	LLJ
75-00-3	Chloroethane	ND		ug/kg dry	27000	55000	10000	EPA 8260C Certifications: CTDOH,NELAC-NY10854,NELAC-NY12058,NJDEP,PADEP	04/02/2019 07:28	04/05/2019 13:45	LLJ
67-66-3	Chloroform	ND		ug/kg dry	27000	55000	10000	EPA 8260C Certifications: CTDOH,NELAC-NY10854,NELAC-NY12058,NJDEP,PADEP	04/02/2019 07:28	04/05/2019 13:45	LLJ
74-87-3	Chloromethane	ND		ug/kg dry	27000	55000	10000	EPA 8260C Certifications: CTDOH,NELAC-NY10854,NELAC-NY12058,NJDEP,PADEP	04/02/2019 07:28	04/05/2019 13:45	LLJ
156-59-2	cis-1,2-Dichloroethylene	ND		ug/kg dry	27000	55000	10000	EPA 8260C Certifications: CTDOH,NELAC-NY10854,NELAC-NY12058,NJDEP,PADEP	04/02/2019 07:28	04/05/2019 13:45	LLJ
10061-01-5	cis-1,3-Dichloropropylene	ND		ug/kg dry	27000	55000	10000	EPA 8260C Certifications: CTDOH,NELAC-NY10854,NELAC-NY12058,NJDEP,PADEP	04/02/2019 07:28	04/05/2019 13:45	LLJ
110-82-7	Cyclohexane	ND		ug/kg dry	27000	55000	10000	EPA 8260C Certifications: NELAC-NY10854,NELAC-NY12058,NJDEP,PADEP	04/02/2019 07:28	04/05/2019 13:45	LLJ
124-48-1	Dibromochloromethane	ND		ug/kg dry	27000	55000	10000	EPA 8260C Certifications: NELAC-NY10854,NELAC-NY12058,NJDEP,PADEP	04/02/2019 07:28	04/05/2019 13:45	LLJ
74-95-3	Dibromomethane	ND		ug/kg dry	27000	55000	10000	EPA 8260C Certifications: NELAC-NY10854,NELAC-NY12058,NJDEP,PADEP	04/02/2019 07:28	04/05/2019 13:45	LLJ
75-71-8	Dichlorodifluoromethane	ND		ug/kg dry	27000	55000	10000	EPA 8260C Certifications: NELAC-NY10854,NELAC-NY12058,NJDEP,PADEP	04/02/2019 07:28	04/05/2019 13:45	LLJ
100-41-4	Ethyl Benzene	ND		ug/kg dry	27000	55000	10000	EPA 8260C Certifications: CTDOH,NELAC-NY10854,NELAC-NY12058,NJDEP,PADEP	04/02/2019 07:28	04/05/2019 13:45	LLJ
87-68-3	Hexachlorobutadiene	ND		ug/kg dry	27000	55000	10000	EPA 8260C Certifications: NELAC-NY10854,NELAC-NY12058,NJDEP,PADEP	04/02/2019 07:28	04/05/2019 13:45	LLJ
98-82-8	Isopropylbenzene	ND		ug/kg dry	27000	55000	10000	EPA 8260C Certifications: CTDOH,NELAC-NY10854,NELAC-NY12058,NJDEP,PADEP	04/02/2019 07:28	04/05/2019 13:45	LLJ
79-20-9	Methyl acetate	ND		ug/kg dry	27000	55000	10000	EPA 8260C Certifications: NELAC-NY10854,NELAC-NY12058,NJDEP,PADEP	04/02/2019 07:28	04/05/2019 13:45	LLJ
1634-04-4	Methyl tert-butyl ether (MTBE)	ND		ug/kg dry	27000	55000	10000	EPA 8260C Certifications: CTDOH,NELAC-NY10854,NELAC-NY12058,NJDEP,PADEP	04/02/2019 07:28	04/05/2019 13:45	LLJ
108-87-2	Methylcyclohexane	ND		ug/kg dry	27000	55000	10000	EPA 8260C Certifications: NELAC-NY10854,NELAC-NY12058,NJDEP,PADEP	04/02/2019 07:28	04/05/2019 13:45	LLJ
75-09-2	Methylene chloride	ND		ug/kg dry	55000	110000	10000	EPA 8260C Certifications: CTDOH,NELAC-NY10854,NELAC-NY12058,NJDEP,PADEP	04/02/2019 07:28	04/05/2019 13:45	LLJ
104-51-8	n-Butylbenzene	ND		ug/kg dry	27000	55000	10000	EPA 8260C Certifications: CTDOH,NELAC-NY10854,NELAC-NY12058,NJDEP,PADEP	04/02/2019 07:28	04/05/2019 13:45	LLJ
103-65-1	n-Propylbenzene	ND		ug/kg dry	27000	55000	10000	EPA 8260C Certifications: CTDOH,NELAC-NY10854,NELAC-NY12058,NJDEP,PADEP	04/02/2019 07:28	04/05/2019 13:45	LLJ
95-47-6	o-Xylene	ND		ug/kg dry	27000	55000	10000	EPA 8260C Certifications: CTDOH,NELAC-NY10854,NELAC-NY12058,NJDEP,PADEP	04/02/2019 07:28	04/05/2019 13:45	LLJ
179601-23-1	p- & m- Xylenes	ND		ug/kg dry	55000	110000	10000	EPA 8260C Certifications: CTDOH,NELAC-NY10854,NELAC-NY12058,NJDEP,PADEP	04/02/2019 07:28	04/05/2019 13:45	LLJ
99-87-6	p-Isopropyltoluene	ND		ug/kg dry	27000	55000	10000	EPA 8260C Certifications: CTDOH,NELAC-NY10854,NELAC-NY12058,NJDEP,PADEP	04/02/2019 07:28	04/05/2019 13:45	LLJ
135-98-8	sec-Butylbenzene	ND		ug/kg dry	27000	55000	10000	EPA 8260C Certifications: CTDOH,NELAC-NY10854,NELAC-NY12058,NJDEP,PADEP	04/02/2019 07:28	04/05/2019 13:45	LLJ



### Sample Information

**Client Sample ID:** PD1-SB-104 (9.5-12') Grab

**York Sample ID:** 19C1272-22

York Project (SDG) No.

Client Project ID

Matrix

Collection Date/Time

Date Received

19C1272

1602600 Former Safety Kleen

Soil

March 28, 2019 3:10 pm

03/29/2019

**Volatile Organics, 8260 - Comprehensive**

**Log-in Notes:**

**Sample Notes:**

Sample Prepared by Method: EPA 5035A

CAS No.	Parameter	Result	Flag	Units	Reported to LOD/MDL	LOQ	Dilution	Reference Method	Date/Time Prepared	Date/Time Analyzed	Analyst
100-42-5	Styrene	ND		ug/kg dry	27000	55000	10000	EPA 8260C Certifications: CTDOH,NELAC-NY10854,NELAC-NY12058,NJDEP,PADEP	04/02/2019 07:28	04/05/2019 13:45	LLJ
75-65-0	tert-Butyl alcohol (TBA)	ND		ug/kg dry	27000	55000	10000	EPA 8260C Certifications: NELAC-NY10854,NELAC-NY12058,NJDEP,PADEP	04/02/2019 07:28	04/05/2019 13:45	LLJ
98-06-6	tert-Butylbenzene	ND		ug/kg dry	27000	55000	10000	EPA 8260C Certifications: CTDOH,NELAC-NY10854,NELAC-NY12058,NJDEP,PADEP	04/02/2019 07:28	04/05/2019 13:45	LLJ
127-18-4	<b>Tetrachloroethylene</b>	<b>64000</b>		ug/kg dry	27000	55000	10000	EPA 8260C Certifications: CTDOH,NELAC-NY10854,NELAC-NY12058,NJDEP,PADEP	04/02/2019 07:28	04/05/2019 13:45	LLJ
108-88-3	Toluene	ND		ug/kg dry	27000	55000	10000	EPA 8260C Certifications: CTDOH,NELAC-NY10854,NELAC-NY12058,NJDEP,PADEP	04/02/2019 07:28	04/05/2019 13:45	LLJ
156-60-5	trans-1,2-Dichloroethylene	ND		ug/kg dry	27000	55000	10000	EPA 8260C Certifications: CTDOH,NELAC-NY10854,NELAC-NY12058,NJDEP,PADEP	04/02/2019 07:28	04/05/2019 13:45	LLJ
10061-02-6	trans-1,3-Dichloropropylene	ND		ug/kg dry	27000	55000	10000	EPA 8260C Certifications: CTDOH,NELAC-NY10854,NELAC-NY12058,NJDEP,PADEP	04/02/2019 07:28	04/05/2019 13:45	LLJ
110-57-6	* trans-1,4-dichloro-2-butene	ND		ug/kg dry	27000	55000	10000	EPA 8260C Certifications: CTDOH	04/02/2019 07:28	04/05/2019 13:45	LLJ
79-01-6	Trichloroethylene	ND		ug/kg dry	27000	55000	10000	EPA 8260C Certifications: CTDOH,NELAC-NY10854,NELAC-NY12058,NJDEP,PADEP	04/02/2019 07:28	04/05/2019 13:45	LLJ
75-69-4	Trichlorofluoromethane	ND		ug/kg dry	27000	55000	10000	EPA 8260C Certifications: CTDOH,NELAC-NY10854,NELAC-NY12058,NJDEP,PADEP	04/02/2019 07:28	04/05/2019 13:45	LLJ
75-01-4	Vinyl Chloride	ND		ug/kg dry	27000	55000	10000	EPA 8260C Certifications: CTDOH,NELAC-NY10854,NELAC-NY12058,NJDEP,PADEP	04/02/2019 07:28	04/05/2019 13:45	LLJ
1330-20-7	Xylenes, Total	ND		ug/kg dry	82000	160000	10000	EPA 8260C Certifications: CTDOH,NELAC-NY10854,NELAC-NY12058,NJDEP	04/02/2019 07:28	04/05/2019 13:45	LLJ
<b>Surrogate Recoveries</b>		<b>Result</b>			<b>Acceptance Range</b>						
17060-07-0	Surrogate: SURR: 1,2-Dichloroethane-d4	98.3 %			77-125						
2037-26-5	Surrogate: SURR: Toluene-d8	104 %			85-120						
460-00-4	Surrogate: SURR: p-Bromofluorobenzene	98.5 %			76-130						

**Total Solids**

**Log-in Notes:**

**Sample Notes:**

Sample Prepared by Method: % Solids Prep

CAS No.	Parameter	Result	Flag	Units	Reported to LOQ	Dilution	Reference Method	Date/Time Prepared	Date/Time Analyzed	Analyst
solids	* % Solids	91.0		%	0.100	1	SM 2540G Certifications: CTDOH	04/04/2019 11:00	04/05/2019 13:04	AS

### Sample Information

**Client Sample ID:** FB-1

**York Sample ID:** 19C1272-23

York Project (SDG) No.

Client Project ID

Matrix

Collection Date/Time

Date Received

19C1272

1602600 Former Safety Kleen

Water

March 28, 2019 12:00 am

03/29/2019



### Sample Information

**Client Sample ID:** FB-1

**York Sample ID:** 19C1272-23

York Project (SDG) No.

Client Project ID

Matrix

Collection Date/Time

Date Received

19C1272

1602600 Former Safety Kleen

Water

March 28, 2019 12:00 am

03/29/2019

**Volatile Organics, 8260 - Comprehensive**

**Log-in Notes:**

**Sample Notes:**

Sample Prepared by Method: EPA 5030B

CAS No.	Parameter	Result	Flag	Units	Reported to LOD/MDL	LOQ	Dilution	Reference Method	Date/Time Prepared	Date/Time Analyzed	Analyst
630-20-6	1,1,1,2-Tetrachloroethane	ND		ug/L	0.20	0.50	1	EPA 8260C Certifications: CTDOH,NELAC-NY10854,NELAC-NY12058,NJDEP,PADEP	04/03/2019 07:00	04/04/2019 03:44	LLJ
71-55-6	1,1,1-Trichloroethane	ND		ug/L	0.20	0.50	1	EPA 8260C Certifications: CTDOH,NELAC-NY10854,NELAC-NY12058,NJDEP,PADEP	04/03/2019 07:00	04/04/2019 03:44	LLJ
79-34-5	1,1,2,2-Tetrachloroethane	ND		ug/L	0.20	0.50	1	EPA 8260C Certifications: CTDOH,NELAC-NY10854,NELAC-NY12058,NJDEP,PADEP	04/03/2019 07:00	04/04/2019 03:44	LLJ
76-13-1	1,1,2-Trichloro-1,2,2-trifluoroethane (Freon 113)	ND		ug/L	0.20	0.50	1	EPA 8260C Certifications: CTDOH,NELAC-NY10854,NELAC-NY12058,NJDEP,PADEP	04/03/2019 07:00	04/04/2019 03:44	LLJ
79-00-5	1,1,2-Trichloroethane	ND		ug/L	0.20	0.50	1	EPA 8260C Certifications: CTDOH,NELAC-NY10854,NELAC-NY12058,NJDEP,PADEP	04/03/2019 07:00	04/04/2019 03:44	LLJ
75-34-3	1,1-Dichloroethane	ND		ug/L	0.20	0.50	1	EPA 8260C Certifications: CTDOH,NELAC-NY10854,NELAC-NY12058,NJDEP,PADEP	04/03/2019 07:00	04/04/2019 03:44	LLJ
75-35-4	1,1-Dichloroethylene	ND		ug/L	0.20	0.50	1	EPA 8260C Certifications: CTDOH,NELAC-NY10854,NELAC-NY12058,NJDEP,PADEP	04/03/2019 07:00	04/04/2019 03:44	LLJ
87-61-6	1,2,3-Trichlorobenzene	ND		ug/L	0.20	0.50	1	EPA 8260C Certifications: NELAC-NY10854,NELAC-NY12058,NJDEP,PADEP	04/03/2019 07:00	04/04/2019 03:44	LLJ
96-18-4	1,2,3-Trichloropropane	ND		ug/L	0.20	0.50	1	EPA 8260C Certifications: NELAC-NY10854,NELAC-NY12058,NJDEP,PADEP	04/03/2019 07:00	04/04/2019 03:44	LLJ
120-82-1	1,2,4-Trichlorobenzene	ND		ug/L	0.20	0.50	1	EPA 8260C Certifications: NELAC-NY10854,NELAC-NY12058,NJDEP,PADEP	04/03/2019 07:00	04/04/2019 03:44	LLJ
95-63-6	1,2,4-Trimethylbenzene	ND		ug/L	0.20	0.50	1	EPA 8260C Certifications: CTDOH,NELAC-NY10854,NELAC-NY12058,NJDEP,PADEP	04/03/2019 07:00	04/04/2019 03:44	LLJ
96-12-8	1,2-Dibromo-3-chloropropane	ND		ug/L	0.20	0.50	1	EPA 8260C Certifications: CTDOH,NELAC-NY10854,NELAC-NY12058,NJDEP,PADEP	04/03/2019 07:00	04/04/2019 03:44	LLJ
106-93-4	1,2-Dibromoethane	ND		ug/L	0.20	0.50	1	EPA 8260C Certifications: CTDOH,NELAC-NY10854,NELAC-NY12058,NJDEP,PADEP	04/03/2019 07:00	04/04/2019 03:44	LLJ
95-50-1	1,2-Dichlorobenzene	ND		ug/L	0.20	0.50	1	EPA 8260C Certifications: CTDOH,NELAC-NY10854,NELAC-NY12058,NJDEP,PADEP	04/03/2019 07:00	04/04/2019 03:44	LLJ
107-06-2	1,2-Dichloroethane	ND		ug/L	0.20	0.50	1	EPA 8260C Certifications: CTDOH,NELAC-NY10854,NELAC-NY12058,NJDEP,PADEP	04/03/2019 07:00	04/04/2019 03:44	LLJ
78-87-5	1,2-Dichloropropane	ND		ug/L	0.20	0.50	1	EPA 8260C Certifications: CTDOH,NELAC-NY10854,NELAC-NY12058,NJDEP,PADEP	04/03/2019 07:00	04/04/2019 03:44	LLJ
108-67-8	1,3,5-Trimethylbenzene	ND		ug/L	0.20	0.50	1	EPA 8260C Certifications: CTDOH,NELAC-NY10854,NELAC-NY12058,NJDEP,PADEP	04/03/2019 07:00	04/04/2019 03:44	LLJ
541-73-1	1,3-Dichlorobenzene	ND		ug/L	0.20	0.50	1	EPA 8260C Certifications: CTDOH,NELAC-NY10854,NELAC-NY12058,NJDEP,PADEP	04/03/2019 07:00	04/04/2019 03:44	LLJ
106-46-7	1,4-Dichlorobenzene	ND		ug/L	0.20	0.50	1	EPA 8260C Certifications: CTDOH,NELAC-NY10854,NELAC-NY12058,NJDEP,PADEP	04/03/2019 07:00	04/04/2019 03:44	LLJ
123-91-1	1,4-Dioxane	ND		ug/L	40	40	1	EPA 8260C Certifications: NELAC-NY10854,NELAC-NY12058,NJDEP,PADEP	04/03/2019 07:00	04/04/2019 03:44	LLJ
78-93-3	<b>2-Butanone</b>	<b>2.0</b>		ug/L	0.20	0.50	1	EPA 8260C Certifications: CTDOH,NELAC-NY10854,NELAC-NY12058,NJDEP,PADEP	04/03/2019 07:00	04/04/2019 03:44	LLJ
591-78-6	2-Hexanone	ND		ug/L	0.20	0.50	1	EPA 8260C Certifications: CTDOH,NELAC-NY10854,NELAC-NY12058,NJDEP,PADEP	04/03/2019 07:00	04/04/2019 03:44	LLJ
108-10-1	4-Methyl-2-pentanone	ND		ug/L	0.20	0.50	1	EPA 8260C Certifications: CTDOH,NELAC-NY10854,NELAC-NY12058,NJDEP,PADEP	04/03/2019 07:00	04/04/2019 03:44	LLJ



### Sample Information

**Client Sample ID:** FB-1

**York Sample ID:** 19C1272-23

York Project (SDG) No.

Client Project ID

Matrix

Collection Date/Time

Date Received

19C1272

1602600 Former Safety Kleen

Water

March 28, 2019 12:00 am

03/29/2019

**Volatile Organics, 8260 - Comprehensive**

**Log-in Notes:**

**Sample Notes:**

Sample Prepared by Method: EPA 5030B

CAS No.	Parameter	Result	Flag	Units	Reported to LOD/MDL	LOQ	Dilution	Reference Method	Date/Time Prepared	Date/Time Analyzed	Analyst
67-64-1	Acetone	6.7		ug/L	1.0	2.0	1	EPA 8260C Certifications: CTDOH,NELAC-NY10854,NELAC-NY12058,NJDEP,PADEP	04/03/2019 07:00	04/04/2019 03:44	LLJ
107-02-8	Acrolein	ND		ug/L	0.20	0.50	1	EPA 8260C Certifications: CTDOH,NELAC-NY10854,NELAC-NY12058,NJDEP,PADEP	04/03/2019 07:00	04/04/2019 03:44	LLJ
107-13-1	Acrylonitrile	ND		ug/L	0.20	0.50	1	EPA 8260C Certifications: CTDOH,NELAC-NY10854,NELAC-NY12058,NJDEP,PADEP	04/03/2019 07:00	04/04/2019 03:44	LLJ
71-43-2	Benzene	ND		ug/L	0.20	0.50	1	EPA 8260C Certifications: CTDOH,NELAC-NY10854,NELAC-NY12058,NJDEP,PADEP	04/03/2019 07:00	04/04/2019 03:44	LLJ
74-97-5	Bromochloromethane	ND		ug/L	0.20	0.50	1	EPA 8260C Certifications: NELAC-NY10854,NELAC-NY12058,NJDEP,PADEP	04/03/2019 07:00	04/04/2019 03:44	LLJ
75-27-4	Bromodichloromethane	ND		ug/L	0.20	0.50	1	EPA 8260C Certifications: CTDOH,NELAC-NY10854,NELAC-NY12058,NJDEP,PADEP	04/03/2019 07:00	04/04/2019 03:44	LLJ
75-25-2	Bromoform	ND		ug/L	0.20	0.50	1	EPA 8260C Certifications: CTDOH,NELAC-NY10854,NELAC-NY12058,NJDEP,PADEP	04/03/2019 07:00	04/04/2019 03:44	LLJ
74-83-9	Bromomethane	ND		ug/L	0.20	0.50	1	EPA 8260C Certifications: CTDOH,NELAC-NY10854,NELAC-NY12058,NJDEP,PADEP	04/03/2019 07:00	04/04/2019 03:44	LLJ
75-15-0	Carbon disulfide	ND		ug/L	0.20	0.50	1	EPA 8260C Certifications: CTDOH,NELAC-NY10854,NELAC-NY12058,NJDEP,PADEP	04/03/2019 07:00	04/04/2019 03:44	LLJ
56-23-5	Carbon tetrachloride	ND		ug/L	0.20	0.50	1	EPA 8260C Certifications: CTDOH,NELAC-NY10854,NELAC-NY12058,NJDEP,PADEP	04/03/2019 07:00	04/04/2019 03:44	LLJ
108-90-7	Chlorobenzene	ND		ug/L	0.20	0.50	1	EPA 8260C Certifications: CTDOH,NELAC-NY10854,NELAC-NY12058,NJDEP,PADEP	04/03/2019 07:00	04/04/2019 03:44	LLJ
75-00-3	Chloroethane	ND		ug/L	0.20	0.50	1	EPA 8260C Certifications: CTDOH,NELAC-NY10854,NELAC-NY12058,NJDEP,PADEP	04/03/2019 07:00	04/04/2019 03:44	LLJ
67-66-3	Chloroform	ND		ug/L	0.20	0.50	1	EPA 8260C Certifications: CTDOH,NELAC-NY10854,NELAC-NY12058,NJDEP,PADEP	04/03/2019 07:00	04/04/2019 03:44	LLJ
74-87-3	Chloromethane	ND		ug/L	0.20	0.50	1	EPA 8260C Certifications: CTDOH,NELAC-NY10854,NELAC-NY12058,NJDEP,PADEP	04/03/2019 07:00	04/04/2019 03:44	LLJ
156-59-2	cis-1,2-Dichloroethylene	ND		ug/L	0.20	0.50	1	EPA 8260C Certifications: CTDOH,NELAC-NY10854,NELAC-NY12058,NJDEP,PADEP	04/03/2019 07:00	04/04/2019 03:44	LLJ
10061-01-5	cis-1,3-Dichloropropylene	ND		ug/L	0.20	0.50	1	EPA 8260C Certifications: CTDOH,NELAC-NY10854,NELAC-NY12058,NJDEP,PADEP	04/03/2019 07:00	04/04/2019 03:44	LLJ
110-82-7	Cyclohexane	ND		ug/L	0.20	0.50	1	EPA 8260C Certifications: NELAC-NY10854,NELAC-NY12058,NJDEP,PADEP	04/03/2019 07:00	04/04/2019 03:44	LLJ
124-48-1	Dibromochloromethane	ND		ug/L	0.20	0.50	1	EPA 8260C Certifications: CTDOH,NELAC-NY10854,NELAC-NY12058,NJDEP,PADEP	04/03/2019 07:00	04/04/2019 03:44	LLJ
74-95-3	Dibromomethane	ND		ug/L	0.20	0.50	1	EPA 8260C Certifications: NELAC-NY10854,NELAC-NY12058,NJDEP,PADEP	04/03/2019 07:00	04/04/2019 03:44	LLJ
75-71-8	Dichlorodifluoromethane	ND		ug/L	0.20	0.50	1	EPA 8260C Certifications: NELAC-NY10854,NELAC-NY12058,NJDEP,PADEP	04/03/2019 07:00	04/04/2019 03:44	LLJ
100-41-4	Ethyl Benzene	ND		ug/L	0.20	0.50	1	EPA 8260C Certifications: CTDOH,NELAC-NY10854,NELAC-NY12058,NJDEP,PADEP	04/03/2019 07:00	04/04/2019 03:44	LLJ
87-68-3	Hexachlorobutadiene	ND		ug/L	0.20	0.50	1	EPA 8260C Certifications: NELAC-NY10854,NELAC-NY12058,NJDEP,PADEP	04/03/2019 07:00	04/04/2019 03:44	LLJ
98-82-8	Isopropylbenzene	ND		ug/L	0.20	0.50	1	EPA 8260C Certifications: CTDOH,NELAC-NY10854,NELAC-NY12058,NJDEP,PADEP	04/03/2019 07:00	04/04/2019 03:44	LLJ



### Sample Information

**Client Sample ID:** FB-1

**York Sample ID:** 19C1272-23

York Project (SDG) No.

Client Project ID

Matrix

Collection Date/Time

Date Received

19C1272

1602600 Former Safety Kleen

Water

March 28, 2019 12:00 am

03/29/2019

**Volatile Organics, 8260 - Comprehensive**

**Log-in Notes:**

**Sample Notes:**

Sample Prepared by Method: EPA 5030B

CAS No.	Parameter	Result	Flag	Units	Reported to LOD/MDL	LOQ	Dilution	Reference Method	Date/Time Prepared	Date/Time Analyzed	Analyst
79-20-9	Methyl acetate	ND		ug/L	0.20	0.50	1	EPA 8260C Certifications: NELAC-NY10854,NELAC-NY12058,NJDEP,PADEP	04/03/2019 07:00	04/04/2019 03:44	LLJ
1634-04-4	Methyl tert-butyl ether (MTBE)	ND		ug/L	0.20	0.50	1	EPA 8260C Certifications: CTDOH,NELAC-NY10854,NELAC-NY12058,NJDEP,PADEP	04/03/2019 07:00	04/04/2019 03:44	LLJ
108-87-2	Methylcyclohexane	ND		ug/L	0.20	0.50	1	EPA 8260C Certifications: NELAC-NY10854,NELAC-NY12058,NJDEP,PADEP	04/03/2019 07:00	04/04/2019 03:44	LLJ
75-09-2	Methylene chloride	ND		ug/L	1.0	2.0	1	EPA 8260C Certifications: CTDOH,NELAC-NY10854,NELAC-NY12058,NJDEP,PADEP	04/03/2019 07:00	04/04/2019 03:44	LLJ
104-51-8	n-Butylbenzene	ND		ug/L	0.20	0.50	1	EPA 8260C Certifications: CTDOH,NELAC-NY10854,NELAC-NY12058,NJDEP,PADEP	04/03/2019 07:00	04/04/2019 03:44	LLJ
103-65-1	n-Propylbenzene	ND		ug/L	0.20	0.50	1	EPA 8260C Certifications: CTDOH,NELAC-NY10854,NELAC-NY12058,NJDEP,PADEP	04/03/2019 07:00	04/04/2019 03:44	LLJ
95-47-6	o-Xylene	ND		ug/L	0.20	0.50	1	EPA 8260C Certifications: CTDOH,NELAC-NY10854,NELAC-NY12058,PADEP	04/03/2019 07:00	04/04/2019 03:44	LLJ
179601-23-1	p- & m- Xylenes	ND		ug/L	0.50	1.0	1	EPA 8260C Certifications: CTDOH,NELAC-NY10854,NELAC-NY12058,PADEP	04/03/2019 07:00	04/04/2019 03:44	LLJ
99-87-6	p-Isopropyltoluene	ND		ug/L	0.20	0.50	1	EPA 8260C Certifications: CTDOH,NELAC-NY10854,NELAC-NY12058,NJDEP,PADEP	04/03/2019 07:00	04/04/2019 03:44	LLJ
135-98-8	sec-Butylbenzene	ND		ug/L	0.20	0.50	1	EPA 8260C Certifications: CTDOH,NELAC-NY10854,NELAC-NY12058,NJDEP,PADEP	04/03/2019 07:00	04/04/2019 03:44	LLJ
100-42-5	Styrene	ND		ug/L	0.20	0.50	1	EPA 8260C Certifications: CTDOH,NELAC-NY10854,NELAC-NY12058,NJDEP,PADEP	04/03/2019 07:00	04/04/2019 03:44	LLJ
75-65-0	tert-Butyl alcohol (TBA)	ND		ug/L	0.50	1.0	1	EPA 8260C Certifications: NELAC-NY10854,NELAC-NY12058,NJDEP,PADEP	04/03/2019 07:00	04/04/2019 03:44	LLJ
98-06-6	tert-Butylbenzene	ND		ug/L	0.20	0.50	1	EPA 8260C Certifications: CTDOH,NELAC-NY10854,NELAC-NY12058,NJDEP,PADEP	04/03/2019 07:00	04/04/2019 03:44	LLJ
127-18-4	Tetrachloroethylene	ND		ug/L	0.20	0.50	1	EPA 8260C Certifications: CTDOH,NELAC-NY10854,NELAC-NY12058,NJDEP,PADEP	04/03/2019 07:00	04/04/2019 03:44	LLJ
108-88-3	<b>Toluene</b>	<b>0.34</b>	<b>J</b>	ug/L	0.20	0.50	1	EPA 8260C Certifications: CTDOH,NELAC-NY10854,NELAC-NY12058,NJDEP,PADEP	04/03/2019 07:00	04/04/2019 03:44	LLJ
156-60-5	trans-1,2-Dichloroethylene	ND		ug/L	0.20	0.50	1	EPA 8260C Certifications: CTDOH,NELAC-NY10854,NELAC-NY12058,NJDEP,PADEP	04/03/2019 07:00	04/04/2019 03:44	LLJ
10061-02-6	trans-1,3-Dichloropropylene	ND		ug/L	0.20	0.50	1	EPA 8260C Certifications: CTDOH,NELAC-NY10854,NELAC-NY12058,NJDEP,PADEP	04/03/2019 07:00	04/04/2019 03:44	LLJ
110-57-6	trans-1,4-dichloro-2-butene	ND		ug/L	0.20	0.50	1	EPA 8260C Certifications: CTDOH,NELAC-NY10854,NELAC-NY12058,NJDEP	04/03/2019 07:00	04/04/2019 03:44	LLJ
79-01-6	Trichloroethylene	ND		ug/L	0.20	0.50	1	EPA 8260C Certifications: CTDOH,NELAC-NY10854,NELAC-NY12058,NJDEP,PADEP	04/03/2019 07:00	04/04/2019 03:44	LLJ
75-69-4	Trichlorofluoromethane	ND		ug/L	0.20	0.50	1	EPA 8260C Certifications: CTDOH,NELAC-NY10854,NELAC-NY12058,NJDEP,PADEP	04/03/2019 07:00	04/04/2019 03:44	LLJ
75-01-4	Vinyl Chloride	ND		ug/L	0.20	0.50	1	EPA 8260C Certifications: CTDOH,NELAC-NY10854,NELAC-NY12058,NJDEP,PADEP	04/03/2019 07:00	04/04/2019 03:44	LLJ
1330-20-7	Xylenes, Total	ND		ug/L	0.60	1.5	1	EPA 8260C Certifications: CTDOH,NELAC-NY10854,NELAC-NY12058,NJDEP	04/03/2019 07:00	04/04/2019 03:44	LLJ
	<b>Surrogate Recoveries</b>	<b>Result</b>			<b>Acceptance Range</b>						
17060-07-0	Surrogate: SURR: 1,2-Dichloroethane-d4	107 %			69-130						



Sample Information

Client Sample ID: FB-1

York Sample ID: 19C1272-23

York Project (SDG) No.

Client Project ID

Matrix

Collection Date/Time

Date Received

19C1272

1602600 Former Safety Kleen

Water

March 28, 2019 12:00 am

03/29/2019

Volatile Organics, 8260 - Comprehensive

Log-in Notes:

Sample Notes:

Sample Prepared by Method: EPA 5030B

Table with 12 columns: CAS No., Parameter, Result, Flag, Units, Reported to LOD/MDL, LOQ, Dilution, Reference Method, Date/Time Prepared, Date/Time Analyzed, Analyst. Rows include Surrogate: SURR: Toluene-d8 and Surrogate: SURR: p-Bromofluorobenzene.

Sample Information

Client Sample ID: PD1-SB-108 (0-4') Grab

York Sample ID: 19C1272-24

York Project (SDG) No.

Client Project ID

Matrix

Collection Date/Time

Date Received

19C1272

1602600 Former Safety Kleen

Soil

March 29, 2019 9:15 am

03/29/2019

Volatile Organics, 8260 - Comprehensive

Log-in Notes:

Sample Notes:

Sample Prepared by Method: EPA 5035A

Table with 12 columns: CAS No., Parameter, Result, Flag, Units, Reported to LOD/MDL, LOQ, Dilution, Reference Method, Date/Time Prepared, Date/Time Analyzed, Analyst. Rows include various chlorinated hydrocarbons like 1,1,1,2-Tetrachloroethane, 1,1,1-Trichloroethane, etc.





### Sample Information

**Client Sample ID:** PD1-SB-108 (0-4') Grab

**York Sample ID:** 19C1272-24

York Project (SDG) No.

Client Project ID

Matrix

Collection Date/Time

Date Received

19C1272

1602600 Former Safety Kleen

Soil

March 29, 2019 9:15 am

03/29/2019

**Volatile Organics, 8260 - Comprehensive**

**Log-in Notes:**

**Sample Notes:**

Sample Prepared by Method: EPA 5035A

CAS No.	Parameter	Result	Flag	Units	Reported to LOD/MDL	LOQ	Dilution	Reference Method	Date/Time Prepared	Date/Time Analyzed	Analyst
78-87-5	1,2-Dichloropropane	ND		ug/kg dry	2.1	4.1	1	EPA 8260C Certifications: CTDOH,NELAC-NY10854,NELAC-NY12058,NJDEP,PADEP	04/04/2019 07:32	04/04/2019 20:28	LLJ
108-67-8	1,3,5-Trimethylbenzene	ND		ug/kg dry	2.1	4.1	1	EPA 8260C Certifications: CTDOH,NELAC-NY10854,NELAC-NY12058,NJDEP,PADEP	04/04/2019 07:32	04/04/2019 20:28	LLJ
541-73-1	1,3-Dichlorobenzene	ND		ug/kg dry	2.1	4.1	1	EPA 8260C Certifications: CTDOH,NELAC-NY10854,NELAC-NY12058,NJDEP,PADEP	04/04/2019 07:32	04/04/2019 20:28	LLJ
106-46-7	1,4-Dichlorobenzene	ND		ug/kg dry	2.1	4.1	1	EPA 8260C Certifications: CTDOH,NELAC-NY10854,NELAC-NY12058,NJDEP,PADEP	04/04/2019 07:32	04/04/2019 20:28	LLJ
123-91-1	1,4-Dioxane	ND		ug/kg dry	41	83	1	EPA 8260C Certifications: NELAC-NY10854,NELAC-NY12058,NJDEP,PADEP	04/04/2019 07:32	04/04/2019 20:28	LLJ
78-93-3	2-Butanone	ND		ug/kg dry	2.1	4.1	1	EPA 8260C Certifications: CTDOH,NELAC-NY10854,NELAC-NY12058,NJDEP,PADEP	04/04/2019 07:32	04/04/2019 20:28	LLJ
591-78-6	2-Hexanone	ND		ug/kg dry	2.1	4.1	1	EPA 8260C Certifications: CTDOH,NELAC-NY10854,NELAC-NY12058,NJDEP,PADEP	04/04/2019 07:32	04/04/2019 20:28	LLJ
108-10-1	4-Methyl-2-pentanone	ND		ug/kg dry	2.1	4.1	1	EPA 8260C Certifications: CTDOH,NELAC-NY10854,NELAC-NY12058,NJDEP,PADEP	04/04/2019 07:32	04/04/2019 20:28	LLJ
67-64-1	Acetone	ND		ug/kg dry	4.1	8.3	1	EPA 8260C Certifications: CTDOH,NELAC-NY10854,NELAC-NY12058,NJDEP,PADEP	04/04/2019 07:32	04/04/2019 20:28	LLJ
107-02-8	Acrolein	ND		ug/kg dry	4.1	8.3	1	EPA 8260C Certifications: CTDOH,NELAC-NY10854,NELAC-NY12058,NJDEP,PADEP	04/04/2019 07:32	04/04/2019 20:28	LLJ
107-13-1	Acrylonitrile	ND		ug/kg dry	2.1	4.1	1	EPA 8260C Certifications: CTDOH,NELAC-NY10854,NELAC-NY12058,NJDEP,PADEP	04/04/2019 07:32	04/04/2019 20:28	LLJ
71-43-2	Benzene	ND		ug/kg dry	2.1	4.1	1	EPA 8260C Certifications: CTDOH,NELAC-NY10854,NELAC-NY12058,NJDEP,PADEP	04/04/2019 07:32	04/04/2019 20:28	LLJ
74-97-5	Bromochloromethane	ND		ug/kg dry	2.1	4.1	1	EPA 8260C Certifications: NELAC-NY10854,NELAC-NY12058,NJDEP,PADEP	04/04/2019 07:32	04/04/2019 20:28	LLJ
75-27-4	Bromodichloromethane	ND		ug/kg dry	2.1	4.1	1	EPA 8260C Certifications: CTDOH,NELAC-NY10854,NELAC-NY12058,NJDEP,PADEP	04/04/2019 07:32	04/04/2019 20:28	LLJ
75-25-2	Bromoform	ND		ug/kg dry	2.1	4.1	1	EPA 8260C Certifications: CTDOH,NELAC-NY10854,NELAC-NY12058,NJDEP,PADEP	04/04/2019 07:32	04/04/2019 20:28	LLJ
74-83-9	Bromomethane	ND		ug/kg dry	2.1	4.1	1	EPA 8260C Certifications: CTDOH,NELAC-NY10854,NELAC-NY12058,NJDEP,PADEP	04/04/2019 07:32	04/04/2019 20:28	LLJ
75-15-0	Carbon disulfide	ND		ug/kg dry	2.1	4.1	1	EPA 8260C Certifications: CTDOH,NELAC-NY10854,NELAC-NY12058,NJDEP,PADEP	04/04/2019 07:32	04/04/2019 20:28	LLJ
56-23-5	Carbon tetrachloride	ND		ug/kg dry	2.1	4.1	1	EPA 8260C Certifications: CTDOH,NELAC-NY10854,NELAC-NY12058,NJDEP,PADEP	04/04/2019 07:32	04/04/2019 20:28	LLJ
108-90-7	Chlorobenzene	ND		ug/kg dry	2.1	4.1	1	EPA 8260C Certifications: CTDOH,NELAC-NY10854,NELAC-NY12058,NJDEP,PADEP	04/04/2019 07:32	04/04/2019 20:28	LLJ
75-00-3	Chloroethane	ND		ug/kg dry	2.1	4.1	1	EPA 8260C Certifications: CTDOH,NELAC-NY10854,NELAC-NY12058,NJDEP,PADEP	04/04/2019 07:32	04/04/2019 20:28	LLJ
67-66-3	Chloroform	ND		ug/kg dry	2.1	4.1	1	EPA 8260C Certifications: CTDOH,NELAC-NY10854,NELAC-NY12058,NJDEP,PADEP	04/04/2019 07:32	04/04/2019 20:28	LLJ
74-87-3	Chloromethane	ND		ug/kg dry	2.1	4.1	1	EPA 8260C Certifications: CTDOH,NELAC-NY10854,NELAC-NY12058,NJDEP,PADEP	04/04/2019 07:32	04/04/2019 20:28	LLJ
156-59-2	cis-1,2-Dichloroethylene	ND		ug/kg dry	2.1	4.1	1	EPA 8260C Certifications: CTDOH,NELAC-NY10854,NELAC-NY12058,NJDEP,PADEP	04/04/2019 07:32	04/04/2019 20:28	LLJ



### Sample Information

**Client Sample ID:** PD1-SB-108 (0-4') Grab

**York Sample ID:** 19C1272-24

York Project (SDG) No.

Client Project ID

Matrix

Collection Date/Time

Date Received

19C1272

1602600 Former Safety Kleen

Soil

March 29, 2019 9:15 am

03/29/2019

**Volatile Organics, 8260 - Comprehensive**

**Log-in Notes:**

**Sample Notes:**

Sample Prepared by Method: EPA 5035A

CAS No.	Parameter	Result	Flag	Units	Reported to LOD/MDL	LOQ	Dilution	Reference Method	Date/Time Prepared	Date/Time Analyzed	Analyst
10061-01-5	cis-1,3-Dichloropropylene	ND		ug/kg dry	2.1	4.1	1	EPA 8260C Certifications: CTDOH,NELAC-NY10854,NELAC-NY12058,NJDEP,PADEP	04/04/2019 07:32	04/04/2019 20:28	LLJ
110-82-7	Cyclohexane	ND		ug/kg dry	2.1	4.1	1	EPA 8260C Certifications: NELAC-NY10854,NELAC-NY12058,NJDEP,PADEP	04/04/2019 07:32	04/04/2019 20:28	LLJ
124-48-1	Dibromochloromethane	ND		ug/kg dry	2.1	4.1	1	EPA 8260C Certifications: NELAC-NY10854,NELAC-NY12058,NJDEP,PADEP	04/04/2019 07:32	04/04/2019 20:28	LLJ
74-95-3	Dibromomethane	ND		ug/kg dry	2.1	4.1	1	EPA 8260C Certifications: NELAC-NY10854,NELAC-NY12058,NJDEP,PADEP	04/04/2019 07:32	04/04/2019 20:28	LLJ
75-71-8	Dichlorodifluoromethane	ND		ug/kg dry	2.1	4.1	1	EPA 8260C Certifications: NELAC-NY10854,NELAC-NY12058,NJDEP,PADEP	04/04/2019 07:32	04/04/2019 20:28	LLJ
100-41-4	Ethyl Benzene	ND		ug/kg dry	2.1	4.1	1	EPA 8260C Certifications: CTDOH,NELAC-NY10854,NELAC-NY12058,NJDEP,PADEP	04/04/2019 07:32	04/04/2019 20:28	LLJ
87-68-3	Hexachlorobutadiene	ND		ug/kg dry	2.1	4.1	1	EPA 8260C Certifications: NELAC-NY10854,NELAC-NY12058,NJDEP,PADEP	04/04/2019 07:32	04/04/2019 20:28	LLJ
98-82-8	Isopropylbenzene	ND		ug/kg dry	2.1	4.1	1	EPA 8260C Certifications: CTDOH,NELAC-NY10854,NELAC-NY12058,NJDEP,PADEP	04/04/2019 07:32	04/04/2019 20:28	LLJ
79-20-9	Methyl acetate	ND		ug/kg dry	2.1	4.1	1	EPA 8260C Certifications: NELAC-NY10854,NELAC-NY12058,NJDEP,PADEP	04/04/2019 07:32	04/04/2019 20:28	LLJ
1634-04-4	Methyl tert-butyl ether (MTBE)	ND		ug/kg dry	2.1	4.1	1	EPA 8260C Certifications: CTDOH,NELAC-NY10854,NELAC-NY12058,NJDEP,PADEP	04/04/2019 07:32	04/04/2019 20:28	LLJ
108-87-2	Methylcyclohexane	ND		ug/kg dry	2.1	4.1	1	EPA 8260C Certifications: NELAC-NY10854,NELAC-NY12058,NJDEP,PADEP	04/04/2019 07:32	04/04/2019 20:28	LLJ
75-09-2	Methylene chloride	ND		ug/kg dry	4.1	8.3	1	EPA 8260C Certifications: CTDOH,NELAC-NY10854,NELAC-NY12058,NJDEP,PADEP	04/04/2019 07:32	04/04/2019 20:28	LLJ
104-51-8	n-Butylbenzene	ND		ug/kg dry	2.1	4.1	1	EPA 8260C Certifications: CTDOH,NELAC-NY10854,NELAC-NY12058,NJDEP,PADEP	04/04/2019 07:32	04/04/2019 20:28	LLJ
103-65-1	n-Propylbenzene	ND		ug/kg dry	2.1	4.1	1	EPA 8260C Certifications: CTDOH,NELAC-NY10854,NELAC-NY12058,NJDEP,PADEP	04/04/2019 07:32	04/04/2019 20:28	LLJ
95-47-6	<b>o-Xylene</b>	<b>2.8</b>	J	ug/kg dry	2.1	4.1	1	EPA 8260C Certifications: CTDOH,NELAC-NY10854,NELAC-NY12058,PADEP	04/04/2019 07:32	04/04/2019 20:28	LLJ
179601-23-1	<b>p- &amp; m- Xylenes</b>	<b>6.4</b>	J	ug/kg dry	4.1	8.3	1	EPA 8260C Certifications: CTDOH,NELAC-NY10854,NELAC-NY12058,PADEP	04/04/2019 07:32	04/04/2019 20:28	LLJ
99-87-6	p-Isopropyltoluene	ND		ug/kg dry	2.1	4.1	1	EPA 8260C Certifications: CTDOH,NELAC-NY10854,NELAC-NY12058,NJDEP,PADEP	04/04/2019 07:32	04/04/2019 20:28	LLJ
135-98-8	sec-Butylbenzene	ND		ug/kg dry	2.1	4.1	1	EPA 8260C Certifications: CTDOH,NELAC-NY10854,NELAC-NY12058,NJDEP,PADEP	04/04/2019 07:32	04/04/2019 20:28	LLJ
100-42-5	Styrene	ND		ug/kg dry	2.1	4.1	1	EPA 8260C Certifications: CTDOH,NELAC-NY10854,NELAC-NY12058,NJDEP,PADEP	04/04/2019 07:32	04/04/2019 20:28	LLJ
75-65-0	tert-Butyl alcohol (TBA)	ND		ug/kg dry	2.1	4.1	1	EPA 8260C Certifications: NELAC-NY10854,NELAC-NY12058,NJDEP,PADEP	04/04/2019 07:32	04/04/2019 20:28	LLJ
98-06-6	tert-Butylbenzene	ND		ug/kg dry	2.1	4.1	1	EPA 8260C Certifications: CTDOH,NELAC-NY10854,NELAC-NY12058,NJDEP,PADEP	04/04/2019 07:32	04/04/2019 20:28	LLJ
127-18-4	<b>Tetrachloroethylene</b>	<b>160</b>	CCV-E	ug/kg dry	2.1	4.1	1	EPA 8260C Certifications: CTDOH,NELAC-NY10854,NELAC-NY12058,NJDEP,PADEP	04/04/2019 07:32	04/04/2019 20:28	LLJ
108-88-3	Toluene	ND		ug/kg dry	2.1	4.1	1	EPA 8260C Certifications: CTDOH,NELAC-NY10854,NELAC-NY12058,NJDEP,PADEP	04/04/2019 07:32	04/04/2019 20:28	LLJ



### Sample Information

**Client Sample ID:** PD1-SB-108 (0-4') Grab

**York Sample ID:** 19C1272-24

York Project (SDG) No.

Client Project ID

Matrix

Collection Date/Time

Date Received

19C1272

1602600 Former Safety Kleen

Soil

March 29, 2019 9:15 am

03/29/2019

**Volatile Organics, 8260 - Comprehensive**

**Log-in Notes:**

**Sample Notes:**

Sample Prepared by Method: EPA 5035A

CAS No.	Parameter	Result	Flag	Units	Reported to LOD/MDL	LOQ	Dilution	Reference Method	Date/Time Prepared	Date/Time Analyzed	Analyst
156-60-5	trans-1,2-Dichloroethylene	ND		ug/kg dry	2.1	4.1	1	EPA 8260C Certifications: CTDOH,NELAC-NY10854,NELAC-NY12058,NJDEP,PADEP	04/04/2019 07:32	04/04/2019 20:28	LLJ
10061-02-6	trans-1,3-Dichloropropylene	ND		ug/kg dry	2.1	4.1	1	EPA 8260C Certifications: CTDOH,NELAC-NY10854,NELAC-NY12058,NJDEP,PADEP	04/04/2019 07:32	04/04/2019 20:28	LLJ
110-57-6	* trans-1,4-dichloro-2-butene	ND		ug/kg dry	2.1	4.1	1	EPA 8260C Certifications: CTDOH	04/04/2019 07:32	04/04/2019 20:28	LLJ
79-01-6	Trichloroethylene	ND		ug/kg dry	2.1	4.1	1	EPA 8260C Certifications: CTDOH,NELAC-NY10854,NELAC-NY12058,NJDEP,PADEP	04/04/2019 07:32	04/04/2019 20:28	LLJ
75-69-4	Trichlorofluoromethane	ND		ug/kg dry	2.1	4.1	1	EPA 8260C Certifications: CTDOH,NELAC-NY10854,NELAC-NY12058,NJDEP,PADEP	04/04/2019 07:32	04/04/2019 20:28	LLJ
75-01-4	Vinyl Chloride	ND		ug/kg dry	2.1	4.1	1	EPA 8260C Certifications: CTDOH,NELAC-NY10854,NELAC-NY12058,NJDEP,PADEP	04/04/2019 07:32	04/04/2019 20:28	LLJ
1330-20-7	<b>Xylenes, Total</b>	<b>9.2</b>	J	ug/kg dry	6.2	12	1	EPA 8260C Certifications: CTDOH,NELAC-NY10854,NELAC-NY12058,NJDEP	04/04/2019 07:32	04/04/2019 20:28	LLJ
<b>Surrogate Recoveries</b>		<b>Result</b>			<b>Acceptance Range</b>						
17060-07-0	Surrogate: SURR: 1,2-Dichloroethane-d4	101 %			77-125						
2037-26-5	Surrogate: SURR: Toluene-d8	103 %			85-120						
460-00-4	Surrogate: SURR: p-Bromofluorobenzene	101 %			76-130						

**Total Solids**

**Log-in Notes:**

**Sample Notes:**

Sample Prepared by Method: % Solids Prep

CAS No.	Parameter	Result	Flag	Units	Reported to LOQ	Dilution	Reference Method	Date/Time Prepared	Date/Time Analyzed	Analyst
solids	* % Solids	88.9		%	0.100	1	SM 2540G Certifications: CTDOH	04/04/2019 11:00	04/05/2019 13:04	AS

### Sample Information

**Client Sample ID:** PD1-SB-108 (4-7.5') Grab

**York Sample ID:** 19C1272-25

York Project (SDG) No.

Client Project ID

Matrix

Collection Date/Time

Date Received

19C1272

1602600 Former Safety Kleen

Soil

March 29, 2019 9:30 am

03/29/2019

**Volatile Organics, 8260 - Comprehensive**

**Log-in Notes:**

**Sample Notes:**

Sample Prepared by Method: EPA 5035A

CAS No.	Parameter	Result	Flag	Units	Reported to LOD/MDL	LOQ	Dilution	Reference Method	Date/Time Prepared	Date/Time Analyzed	Analyst
630-20-6	1,1,1,2-Tetrachloroethane	ND	IS-LO	ug/kg dry	2.1	4.2	1	EPA 8260C Certifications: CTDOH,NELAC-NY10854,NELAC-NY12058,NJDEP,PADEP	04/02/2019 07:00	04/02/2019 22:46	LLJ
71-55-6	1,1,1-Trichloroethane	ND	IS-LO	ug/kg dry	2.1	4.2	1	EPA 8260C Certifications: CTDOH,NELAC-NY10854,NELAC-NY12058,NJDEP,PADEP	04/02/2019 07:00	04/02/2019 22:46	LLJ



### Sample Information

**Client Sample ID:** PD1-SB-108 (4-7.5') Grab

**York Sample ID:** 19C1272-25

York Project (SDG) No.

Client Project ID

Matrix

Collection Date/Time

Date Received

19C1272

1602600 Former Safety Kleen

Soil

March 29, 2019 9:30 am

03/29/2019

**Volatile Organics, 8260 - Comprehensive**

**Log-in Notes:**

**Sample Notes:**

Sample Prepared by Method: EPA 5035A

CAS No.	Parameter	Result	Flag	Units	Reported to LOD/MDL	LOQ	Dilution	Reference Method	Date/Time Prepared	Date/Time Analyzed	Analyst
79-34-5	1,1,2,2-Tetrachloroethane	ND		ug/kg dry	2.1	4.2	1	EPA 8260C Certifications: CTDOH,NELAC-NY10854,NELAC-NY12058,NJDEP,PADEP	04/02/2019 07:00	04/02/2019 22:46	LLJ
76-13-1	1,1,2-Trichloro-1,2,2-trifluoroethane (Freon 113)	ND	IS-LO	ug/kg dry	2.1	4.2	1	EPA 8260C Certifications: CTDOH,NELAC-NY10854,NELAC-NY12058,NJDEP	04/02/2019 07:00	04/02/2019 22:46	LLJ
79-00-5	1,1,2-Trichloroethane	ND	IS-LO	ug/kg dry	2.1	4.2	1	EPA 8260C Certifications: CTDOH,NELAC-NY10854,NELAC-NY12058,NJDEP,PADEP	04/02/2019 07:00	04/02/2019 22:46	LLJ
75-34-3	1,1-Dichloroethane	ND	IS-LO	ug/kg dry	2.1	4.2	1	EPA 8260C Certifications: CTDOH,NELAC-NY10854,NELAC-NY12058,NJDEP,PADEP	04/02/2019 07:00	04/02/2019 22:46	LLJ
75-35-4	1,1-Dichloroethylene	ND	IS-LO	ug/kg dry	2.1	4.2	1	EPA 8260C Certifications: CTDOH,NELAC-NY10854,NELAC-NY12058,NJDEP,PADEP	04/02/2019 07:00	04/02/2019 22:46	LLJ
87-61-6	1,2,3-Trichlorobenzene	ND		ug/kg dry	2.1	4.2	1	EPA 8260C Certifications: NELAC-NY10854,NELAC-NY12058,NJDEP,PADEP	04/02/2019 07:00	04/02/2019 22:46	LLJ
96-18-4	1,2,3-Trichloropropane	ND		ug/kg dry	2.1	4.2	1	EPA 8260C Certifications: NELAC-NY10854,NELAC-NY12058,NJDEP	04/02/2019 07:00	04/02/2019 22:46	LLJ
120-82-1	1,2,4-Trichlorobenzene	ND		ug/kg dry	2.1	4.2	1	EPA 8260C Certifications: NELAC-NY10854,NELAC-NY12058,NJDEP,PADEP	04/02/2019 07:00	04/02/2019 22:46	LLJ
95-63-6	1,2,4-Trimethylbenzene	ND		ug/kg dry	2.1	4.2	1	EPA 8260C Certifications: CTDOH,NELAC-NY10854,NELAC-NY12058,NJDEP,PADEP	04/02/2019 07:00	04/02/2019 22:46	LLJ
96-12-8	1,2-Dibromo-3-chloropropane	ND		ug/kg dry	2.1	4.2	1	EPA 8260C Certifications: CTDOH,NELAC-NY10854,NELAC-NY12058,NJDEP,PADEP	04/02/2019 07:00	04/02/2019 22:46	LLJ
106-93-4	1,2-Dibromoethane	ND	IS-LO	ug/kg dry	2.1	4.2	1	EPA 8260C Certifications: CTDOH,NELAC-NY10854,NELAC-NY12058,NJDEP,PADEP	04/02/2019 07:00	04/02/2019 22:46	LLJ
95-50-1	1,2-Dichlorobenzene	ND		ug/kg dry	2.1	4.2	1	EPA 8260C Certifications: CTDOH,NELAC-NY10854,NELAC-NY12058,NJDEP,PADEP	04/02/2019 07:00	04/02/2019 22:46	LLJ
107-06-2	1,2-Dichloroethane	ND	IS-LO	ug/kg dry	2.1	4.2	1	EPA 8260C Certifications: CTDOH,NELAC-NY10854,NELAC-NY12058,NJDEP,PADEP	04/02/2019 07:00	04/02/2019 22:46	LLJ
78-87-5	1,2-Dichloropropane	ND	IS-LO	ug/kg dry	2.1	4.2	1	EPA 8260C Certifications: CTDOH,NELAC-NY10854,NELAC-NY12058,NJDEP,PADEP	04/02/2019 07:00	04/02/2019 22:46	LLJ
108-67-8	1,3,5-Trimethylbenzene	ND		ug/kg dry	2.1	4.2	1	EPA 8260C Certifications: CTDOH,NELAC-NY10854,NELAC-NY12058,NJDEP,PADEP	04/02/2019 07:00	04/02/2019 22:46	LLJ
541-73-1	1,3-Dichlorobenzene	ND		ug/kg dry	2.1	4.2	1	EPA 8260C Certifications: CTDOH,NELAC-NY10854,NELAC-NY12058,NJDEP,PADEP	04/02/2019 07:00	04/02/2019 22:46	LLJ
106-46-7	1,4-Dichlorobenzene	ND		ug/kg dry	2.1	4.2	1	EPA 8260C Certifications: CTDOH,NELAC-NY10854,NELAC-NY12058,NJDEP,PADEP	04/02/2019 07:00	04/02/2019 22:46	LLJ
123-91-1	1,4-Dioxane	ND	IS-LO	ug/kg dry	42	85	1	EPA 8260C Certifications: NELAC-NY10854,NELAC-NY12058,NJDEP,PADEP	04/02/2019 07:00	04/02/2019 22:46	LLJ
78-93-3	2-Butanone	ND	IS-LO	ug/kg dry	2.1	4.2	1	EPA 8260C Certifications: CTDOH,NELAC-NY10854,NELAC-NY12058,NJDEP,PADEP	04/02/2019 07:00	04/02/2019 22:46	LLJ
591-78-6	2-Hexanone	ND	IS-LO	ug/kg dry	2.1	4.2	1	EPA 8260C Certifications: CTDOH,NELAC-NY10854,NELAC-NY12058,NJDEP,PADEP	04/02/2019 07:00	04/02/2019 22:46	LLJ
108-10-1	4-Methyl-2-pentanone	ND	IS-LO	ug/kg dry	2.1	4.2	1	EPA 8260C Certifications: CTDOH,NELAC-NY10854,NELAC-NY12058,NJDEP,PADEP	04/02/2019 07:00	04/02/2019 22:46	LLJ
67-64-1	Acetone	120	IS-LO	ug/kg dry	4.2	8.5	1	EPA 8260C Certifications: CTDOH,NELAC-NY10854,NELAC-NY12058,NJDEP,PADEP	04/02/2019 07:00	04/02/2019 22:46	LLJ
107-02-8	Acrolein	ND	IS-LO	ug/kg dry	4.2	8.5	1	EPA 8260C Certifications: CTDOH,NELAC-NY10854,NELAC-NY12058,NJDEP,PADEP	04/02/2019 07:00	04/02/2019 22:46	LLJ



### Sample Information

**Client Sample ID:** PD1-SB-108 (4-7.5') Grab

**York Sample ID:** 19C1272-25

York Project (SDG) No.

Client Project ID

Matrix

Collection Date/Time

Date Received

19C1272

1602600 Former Safety Kleen

Soil

March 29, 2019 9:30 am

03/29/2019

**Volatile Organics, 8260 - Comprehensive**

**Log-in Notes:**

**Sample Notes:**

Sample Prepared by Method: EPA 5035A

CAS No.	Parameter	Result	Flag	Units	Reported to LOD/MDL	LOQ	Dilution	Reference Method	Date/Time Prepared	Date/Time Analyzed	Analyst
107-13-1	Acrylonitrile	ND	IS-LO	ug/kg dry	2.1	4.2	1	EPA 8260C Certifications: CTDOH,NELAC-NY10854,NELAC-NY12058,NJDEP,PADEP	04/02/2019 07:00	04/02/2019 22:46	LLJ
71-43-2	Benzene	ND	IS-LO	ug/kg dry	2.1	4.2	1	EPA 8260C Certifications: CTDOH,NELAC-NY10854,NELAC-NY12058,NJDEP,PADEP	04/02/2019 07:00	04/02/2019 22:46	LLJ
74-97-5	Bromochloromethane	ND	IS-LO	ug/kg dry	2.1	4.2	1	EPA 8260C Certifications: NELAC-NY10854,NELAC-NY12058,NJDEP,PADEP	04/02/2019 07:00	04/02/2019 22:46	LLJ
75-27-4	Bromodichloromethane	ND	IS-LO	ug/kg dry	2.1	4.2	1	EPA 8260C Certifications: CTDOH,NELAC-NY10854,NELAC-NY12058,NJDEP,PADEP	04/02/2019 07:00	04/02/2019 22:46	LLJ
75-25-2	Bromoform	ND	IS-LO	ug/kg dry	2.1	4.2	1	EPA 8260C Certifications: CTDOH,NELAC-NY10854,NELAC-NY12058,NJDEP,PADEP	04/02/2019 07:00	04/02/2019 22:46	LLJ
74-83-9	Bromomethane	ND	IS-LO	ug/kg dry	2.1	4.2	1	EPA 8260C Certifications: CTDOH,NELAC-NY10854,NELAC-NY12058,NJDEP,PADEP	04/02/2019 07:00	04/02/2019 22:46	LLJ
75-15-0	Carbon disulfide	ND	IS-LO	ug/kg dry	2.1	4.2	1	EPA 8260C Certifications: CTDOH,NELAC-NY10854,NELAC-NY12058,NJDEP,PADEP	04/02/2019 07:00	04/02/2019 22:46	LLJ
56-23-5	Carbon tetrachloride	ND	IS-LO	ug/kg dry	2.1	4.2	1	EPA 8260C Certifications: CTDOH,NELAC-NY10854,NELAC-NY12058,NJDEP,PADEP	04/02/2019 07:00	04/02/2019 22:46	LLJ
108-90-7	Chlorobenzene	ND	IS-LO	ug/kg dry	2.1	4.2	1	EPA 8260C Certifications: CTDOH,NELAC-NY10854,NELAC-NY12058,NJDEP,PADEP	04/02/2019 07:00	04/02/2019 22:46	LLJ
75-00-3	Chloroethane	ND	IS-LO	ug/kg dry	2.1	4.2	1	EPA 8260C Certifications: CTDOH,NELAC-NY10854,NELAC-NY12058,NJDEP,PADEP	04/02/2019 07:00	04/02/2019 22:46	LLJ
67-66-3	Chloroform	ND	IS-LO	ug/kg dry	2.1	4.2	1	EPA 8260C Certifications: CTDOH,NELAC-NY10854,NELAC-NY12058,NJDEP,PADEP	04/02/2019 07:00	04/02/2019 22:46	LLJ
74-87-3	Chloromethane	ND	IS-LO	ug/kg dry	2.1	4.2	1	EPA 8260C Certifications: CTDOH,NELAC-NY10854,NELAC-NY12058,NJDEP,PADEP	04/02/2019 07:00	04/02/2019 22:46	LLJ
156-59-2	cis-1,2-Dichloroethylene	ND	IS-LO	ug/kg dry	2.1	4.2	1	EPA 8260C Certifications: CTDOH,NELAC-NY10854,NELAC-NY12058,NJDEP,PADEP	04/02/2019 07:00	04/02/2019 22:46	LLJ
10061-01-5	cis-1,3-Dichloropropylene	ND	IS-LO	ug/kg dry	2.1	4.2	1	EPA 8260C Certifications: CTDOH,NELAC-NY10854,NELAC-NY12058,NJDEP,PADEP	04/02/2019 07:00	04/02/2019 22:46	LLJ
110-82-7	Cyclohexane	ND	IS-LO	ug/kg dry	2.1	4.2	1	EPA 8260C Certifications: NELAC-NY10854,NELAC-NY12058,NJDEP,PADEP	04/02/2019 07:00	04/02/2019 22:46	LLJ
124-48-1	Dibromochloromethane	ND	IS-LO	ug/kg dry	2.1	4.2	1	EPA 8260C Certifications: NELAC-NY10854,NELAC-NY12058,NJDEP,PADEP	04/02/2019 07:00	04/02/2019 22:46	LLJ
74-95-3	Dibromomethane	ND	IS-LO	ug/kg dry	2.1	4.2	1	EPA 8260C Certifications: NELAC-NY10854,NELAC-NY12058,NJDEP,PADEP	04/02/2019 07:00	04/02/2019 22:46	LLJ
75-71-8	Dichlorodifluoromethane	ND	IS-LO	ug/kg dry	2.1	4.2	1	EPA 8260C Certifications: NELAC-NY10854,NELAC-NY12058,NJDEP,PADEP	04/02/2019 07:00	04/02/2019 22:46	LLJ
100-41-4	Ethyl Benzene	ND	IS-LO	ug/kg dry	2.1	4.2	1	EPA 8260C Certifications: CTDOH,NELAC-NY10854,NELAC-NY12058,NJDEP,PADEP	04/02/2019 07:00	04/02/2019 22:46	LLJ
87-68-3	Hexachlorobutadiene	ND		ug/kg dry	2.1	4.2	1	EPA 8260C Certifications: NELAC-NY10854,NELAC-NY12058,NJDEP,PADEP	04/02/2019 07:00	04/02/2019 22:46	LLJ
98-82-8	Isopropylbenzene	ND		ug/kg dry	2.1	4.2	1	EPA 8260C Certifications: CTDOH,NELAC-NY10854,NELAC-NY12058,NJDEP,PADEP	04/02/2019 07:00	04/02/2019 22:46	LLJ
79-20-9	Methyl acetate	ND	IS-LO	ug/kg dry	2.1	4.2	1	EPA 8260C Certifications: NELAC-NY10854,NELAC-NY12058,NJDEP,PADEP	04/02/2019 07:00	04/02/2019 22:46	LLJ
1634-04-4	Methyl tert-butyl ether (MTBE)	ND	IS-LO	ug/kg dry	2.1	4.2	1	EPA 8260C Certifications: CTDOH,NELAC-NY10854,NELAC-NY12058,NJDEP,PADEP	04/02/2019 07:00	04/02/2019 22:46	LLJ



### Sample Information

**Client Sample ID:** PD1-SB-108 (4-7.5') Grab

**York Sample ID:** 19C1272-25

York Project (SDG) No.

Client Project ID

Matrix

Collection Date/Time

Date Received

19C1272

1602600 Former Safety Kleen

Soil

March 29, 2019 9:30 am

03/29/2019

**Volatile Organics, 8260 - Comprehensive**

**Log-in Notes:**

**Sample Notes:**

Sample Prepared by Method: EPA 5035A

CAS No.	Parameter	Result	Flag	Units	Reported to LOD/MDL	LOQ	Dilution	Reference Method	Date/Time Prepared	Date/Time Analyzed	Analyst
108-87-2	Methylcyclohexane	ND	IS-LO	ug/kg dry	2.1	4.2	1	EPA 8260C Certifications: NELAC-NY10854,NELAC-NY12058,NJDEP,PADEP	04/02/2019 07:00	04/02/2019 22:46	LLJ
75-09-2	<b>Methylene chloride</b>	<b>4.6</b>	IS-LO, J	ug/kg dry	4.2	8.5	1	EPA 8260C Certifications: CTDOH,NELAC-NY10854,NELAC-NY12058,NJDEP,PADEP	04/02/2019 07:00	04/02/2019 22:46	LLJ
104-51-8	n-Butylbenzene	ND		ug/kg dry	2.1	4.2	1	EPA 8260C Certifications: CTDOH,NELAC-NY10854,NELAC-NY12058,NJDEP,PADEP	04/02/2019 07:00	04/02/2019 22:46	LLJ
103-65-1	n-Propylbenzene	ND		ug/kg dry	2.1	4.2	1	EPA 8260C Certifications: CTDOH,NELAC-NY10854,NELAC-NY12058,NJDEP,PADEP	04/02/2019 07:00	04/02/2019 22:46	LLJ
95-47-6	o-Xylene	ND	IS-LO	ug/kg dry	2.1	4.2	1	EPA 8260C Certifications: CTDOH,NELAC-NY10854,NELAC-NY12058,PADEP	04/02/2019 07:00	04/02/2019 22:46	LLJ
179601-23-1	p- & m- Xylenes	ND	IS-LO	ug/kg dry	4.2	8.5	1	EPA 8260C Certifications: CTDOH,NELAC-NY10854,NELAC-NY12058,PADEP	04/02/2019 07:00	04/02/2019 22:46	LLJ
99-87-6	p-Isopropyltoluene	ND		ug/kg dry	2.1	4.2	1	EPA 8260C Certifications: CTDOH,NELAC-NY10854,NELAC-NY12058,NJDEP,PADEP	04/02/2019 07:00	04/02/2019 22:46	LLJ
135-98-8	sec-Butylbenzene	ND		ug/kg dry	2.1	4.2	1	EPA 8260C Certifications: CTDOH,NELAC-NY10854,NELAC-NY12058,NJDEP,PADEP	04/02/2019 07:00	04/02/2019 22:46	LLJ
100-42-5	Styrene	ND	IS-LO	ug/kg dry	2.1	4.2	1	EPA 8260C Certifications: CTDOH,NELAC-NY10854,NELAC-NY12058,NJDEP,PADEP	04/02/2019 07:00	04/02/2019 22:46	LLJ
75-65-0	tert-Butyl alcohol (TBA)	ND	IS-LO	ug/kg dry	2.1	4.2	1	EPA 8260C Certifications: NELAC-NY10854,NELAC-NY12058,NJDEP,PADEP	04/02/2019 07:00	04/02/2019 22:46	LLJ
98-06-6	tert-Butylbenzene	ND		ug/kg dry	2.1	4.2	1	EPA 8260C Certifications: CTDOH,NELAC-NY10854,NELAC-NY12058,NJDEP,PADEP	04/02/2019 07:00	04/02/2019 22:46	LLJ
127-18-4	<b>Tetrachloroethylene</b>	<b>25</b>	IS-LO, B	ug/kg dry	2.1	4.2	1	EPA 8260C Certifications: CTDOH,NELAC-NY10854,NELAC-NY12058,NJDEP,PADEP	04/02/2019 07:00	04/02/2019 22:46	LLJ
108-88-3	Toluene	ND	IS-LO	ug/kg dry	2.1	4.2	1	EPA 8260C Certifications: CTDOH,NELAC-NY10854,NELAC-NY12058,NJDEP,PADEP	04/02/2019 07:00	04/02/2019 22:46	LLJ
156-60-5	trans-1,2-Dichloroethylene	ND	IS-LO	ug/kg dry	2.1	4.2	1	EPA 8260C Certifications: CTDOH,NELAC-NY10854,NELAC-NY12058,NJDEP,PADEP	04/02/2019 07:00	04/02/2019 22:46	LLJ
10061-02-6	trans-1,3-Dichloropropylene	ND	IS-LO	ug/kg dry	2.1	4.2	1	EPA 8260C Certifications: CTDOH,NELAC-NY10854,NELAC-NY12058,NJDEP,PADEP	04/02/2019 07:00	04/02/2019 22:46	LLJ
110-57-6	* trans-1,4-dichloro-2-butene	ND		ug/kg dry	2.1	4.2	1	EPA 8260C Certifications: CTDOH	04/02/2019 07:00	04/02/2019 22:46	LLJ
79-01-6	Trichloroethylene	ND	IS-LO	ug/kg dry	2.1	4.2	1	EPA 8260C Certifications: CTDOH,NELAC-NY10854,NELAC-NY12058,NJDEP,PADEP	04/02/2019 07:00	04/02/2019 22:46	LLJ
75-69-4	Trichlorofluoromethane	ND	IS-LO	ug/kg dry	2.1	4.2	1	EPA 8260C Certifications: CTDOH,NELAC-NY10854,NELAC-NY12058,NJDEP,PADEP	04/02/2019 07:00	04/02/2019 22:46	LLJ
75-01-4	Vinyl Chloride	ND	IS-LO	ug/kg dry	2.1	4.2	1	EPA 8260C Certifications: CTDOH,NELAC-NY10854,NELAC-NY12058,NJDEP,PADEP	04/02/2019 07:00	04/02/2019 22:46	LLJ
1330-20-7	Xylenes, Total	ND	IS-LO	ug/kg dry	6.3	13	1	EPA 8260C Certifications: CTDOH,NELAC-NY10854,NELAC-NY12058,NJDEP	04/02/2019 07:00	04/02/2019 22:46	LLJ
<b>Surrogate Recoveries</b>		<b>Result</b>	<b>Acceptance Range</b>								
17060-07-0	Surrogate: SURR: 1,2-Dichloroethane-d4	139 %	IS-LO, S-03	77-125							
2037-26-5	Surrogate: SURR: Toluene-d8	97.7 %	IS-LO	85-120							
460-00-4	Surrogate: SURR: p-Bromofluorobenzene	104 %		76-130							



### Sample Information

**Client Sample ID:** PD1-SB-108 (4-7.5') Grab

**York Sample ID:** 19C1272-25

York Project (SDG) No.

Client Project ID

Matrix

Collection Date/Time

Date Received

19C1272

1602600 Former Safety Kleen

Soil

March 29, 2019 9:30 am

03/29/2019

**Total Solids**

**Log-in Notes:**

**Sample Notes:**

Sample Prepared by Method: % Solids Prep

CAS No.	Parameter	Result	Flag	Units	Reported to LOQ	Dilution	Reference Method	Date/Time Prepared	Date/Time Analyzed	Analyst
solids	* % Solids	84.4		%	0.100	1	SM 2540G Certifications: CTDOH	04/04/2019 11:00	04/05/2019 13:04	AS

### Sample Information

**Client Sample ID:** PD1-SB-108 (7.5-8.5') Grab

**York Sample ID:** 19C1272-26

York Project (SDG) No.

Client Project ID

Matrix

Collection Date/Time

Date Received

19C1272

1602600 Former Safety Kleen

Soil

March 29, 2019 9:35 am

03/29/2019

**Volatile Organics, 8260 - Comprehensive**

**Log-in Notes:**

**Sample Notes:**

Sample Prepared by Method: EPA 5035A

CAS No.	Parameter	Result	Flag	Units	Reported to LOD/MDL	LOQ	Dilution	Reference Method	Date/Time Prepared	Date/Time Analyzed	Analyst
630-20-6	1,1,1,2-Tetrachloroethane	ND		ug/kg dry	1.8	3.5	1	EPA 8260C Certifications: CTDOH,NELAC-NY10854,NELAC-NY12058,NJDEP,PADEP	04/02/2019 07:39	04/02/2019 23:13	LLJ
71-55-6	1,1,1-Trichloroethane	ND		ug/kg dry	1.8	3.5	1	EPA 8260C Certifications: CTDOH,NELAC-NY10854,NELAC-NY12058,NJDEP,PADEP	04/02/2019 07:39	04/02/2019 23:13	LLJ
79-34-5	1,1,2,2-Tetrachloroethane	ND		ug/kg dry	1.8	3.5	1	EPA 8260C Certifications: CTDOH,NELAC-NY10854,NELAC-NY12058,NJDEP,PADEP	04/02/2019 07:39	04/02/2019 23:13	LLJ
76-13-1	1,1,2-Trichloro-1,2,2-trifluoroethane (Freon 113)	ND		ug/kg dry	1.8	3.5	1	EPA 8260C Certifications: CTDOH,NELAC-NY10854,NELAC-NY12058,NJDEP	04/02/2019 07:39	04/02/2019 23:13	LLJ
79-00-5	1,1,2-Trichloroethane	ND		ug/kg dry	1.8	3.5	1	EPA 8260C Certifications: CTDOH,NELAC-NY10854,NELAC-NY12058,NJDEP,PADEP	04/02/2019 07:39	04/02/2019 23:13	LLJ
75-34-3	1,1-Dichloroethane	ND		ug/kg dry	1.8	3.5	1	EPA 8260C Certifications: CTDOH,NELAC-NY10854,NELAC-NY12058,NJDEP,PADEP	04/02/2019 07:39	04/02/2019 23:13	LLJ
75-35-4	1,1-Dichloroethylene	ND		ug/kg dry	1.8	3.5	1	EPA 8260C Certifications: CTDOH,NELAC-NY10854,NELAC-NY12058,NJDEP,PADEP	04/02/2019 07:39	04/02/2019 23:13	LLJ
87-61-6	1,2,3-Trichlorobenzene	ND		ug/kg dry	1.8	3.5	1	EPA 8260C Certifications: NELAC-NY10854,NELAC-NY12058,NJDEP,PADEP	04/02/2019 07:39	04/02/2019 23:13	LLJ
96-18-4	1,2,3-Trichloropropane	ND		ug/kg dry	1.8	3.5	1	EPA 8260C Certifications: NELAC-NY10854,NELAC-NY12058,NJDEP	04/02/2019 07:39	04/02/2019 23:13	LLJ
120-82-1	1,2,4-Trichlorobenzene	ND		ug/kg dry	1.8	3.5	1	EPA 8260C Certifications: NELAC-NY10854,NELAC-NY12058,NJDEP,PADEP	04/02/2019 07:39	04/02/2019 23:13	LLJ
95-63-6	1,2,4-Trimethylbenzene	ND		ug/kg dry	1.8	3.5	1	EPA 8260C Certifications: CTDOH,NELAC-NY10854,NELAC-NY12058,NJDEP,PADEP	04/02/2019 07:39	04/02/2019 23:13	LLJ
96-12-8	1,2-Dibromo-3-chloropropane	ND		ug/kg dry	1.8	3.5	1	EPA 8260C Certifications: CTDOH,NELAC-NY10854,NELAC-NY12058,NJDEP,PADEP	04/02/2019 07:39	04/02/2019 23:13	LLJ
106-93-4	1,2-Dibromoethane	ND		ug/kg dry	1.8	3.5	1	EPA 8260C Certifications: CTDOH,NELAC-NY10854,NELAC-NY12058,NJDEP,PADEP	04/02/2019 07:39	04/02/2019 23:13	LLJ
95-50-1	1,2-Dichlorobenzene	ND		ug/kg dry	1.8	3.5	1	EPA 8260C Certifications: CTDOH,NELAC-NY10854,NELAC-NY12058,NJDEP,PADEP	04/02/2019 07:39	04/02/2019 23:13	LLJ



### Sample Information

**Client Sample ID:** PD1-SB-108 (7.5-8.5') Grab

**York Sample ID:** 19C1272-26

York Project (SDG) No.

Client Project ID

Matrix

Collection Date/Time

Date Received

19C1272

1602600 Former Safety Kleen

Soil

March 29, 2019 9:35 am

03/29/2019

**Volatile Organics, 8260 - Comprehensive**

**Log-in Notes:**

**Sample Notes:**

Sample Prepared by Method: EPA 5035A

CAS No.	Parameter	Result	Flag	Units	Reported to LOD/MDL	LOQ	Dilution	Reference Method	Date/Time Prepared	Date/Time Analyzed	Analyst
107-06-2	1,2-Dichloroethane	ND		ug/kg dry	1.8	3.5	1	EPA 8260C Certifications: CTDOH,NELAC-NY10854,NELAC-NY12058,NJDEP,PADEP	04/02/2019 07:39	04/02/2019 23:13	LLJ
78-87-5	1,2-Dichloropropane	ND		ug/kg dry	1.8	3.5	1	EPA 8260C Certifications: CTDOH,NELAC-NY10854,NELAC-NY12058,NJDEP,PADEP	04/02/2019 07:39	04/02/2019 23:13	LLJ
108-67-8	1,3,5-Trimethylbenzene	ND		ug/kg dry	1.8	3.5	1	EPA 8260C Certifications: CTDOH,NELAC-NY10854,NELAC-NY12058,NJDEP,PADEP	04/02/2019 07:39	04/02/2019 23:13	LLJ
541-73-1	1,3-Dichlorobenzene	ND		ug/kg dry	1.8	3.5	1	EPA 8260C Certifications: CTDOH,NELAC-NY10854,NELAC-NY12058,NJDEP,PADEP	04/02/2019 07:39	04/02/2019 23:13	LLJ
106-46-7	1,4-Dichlorobenzene	ND		ug/kg dry	1.8	3.5	1	EPA 8260C Certifications: CTDOH,NELAC-NY10854,NELAC-NY12058,NJDEP,PADEP	04/02/2019 07:39	04/02/2019 23:13	LLJ
123-91-1	1,4-Dioxane	ND		ug/kg dry	35	71	1	EPA 8260C Certifications: NELAC-NY10854,NELAC-NY12058,NJDEP,PADEP	04/02/2019 07:39	04/02/2019 23:13	LLJ
78-93-3	2-Butanone	ND		ug/kg dry	1.8	3.5	1	EPA 8260C Certifications: CTDOH,NELAC-NY10854,NELAC-NY12058,NJDEP,PADEP	04/02/2019 07:39	04/02/2019 23:13	LLJ
591-78-6	2-Hexanone	ND		ug/kg dry	1.8	3.5	1	EPA 8260C Certifications: CTDOH,NELAC-NY10854,NELAC-NY12058,NJDEP,PADEP	04/02/2019 07:39	04/02/2019 23:13	LLJ
108-10-1	4-Methyl-2-pentanone	ND		ug/kg dry	1.8	3.5	1	EPA 8260C Certifications: CTDOH,NELAC-NY10854,NELAC-NY12058,NJDEP,PADEP	04/02/2019 07:39	04/02/2019 23:13	LLJ
67-64-1	Acetone	ND		ug/kg dry	3.5	7.1	1	EPA 8260C Certifications: CTDOH,NELAC-NY10854,NELAC-NY12058,NJDEP,PADEP	04/02/2019 07:39	04/02/2019 23:13	LLJ
107-02-8	Acrolein	ND		ug/kg dry	3.5	7.1	1	EPA 8260C Certifications: CTDOH,NELAC-NY10854,NELAC-NY12058,NJDEP,PADEP	04/02/2019 07:39	04/02/2019 23:13	LLJ
107-13-1	Acrylonitrile	ND		ug/kg dry	1.8	3.5	1	EPA 8260C Certifications: CTDOH,NELAC-NY10854,NELAC-NY12058,NJDEP,PADEP	04/02/2019 07:39	04/02/2019 23:13	LLJ
71-43-2	Benzene	ND		ug/kg dry	1.8	3.5	1	EPA 8260C Certifications: CTDOH,NELAC-NY10854,NELAC-NY12058,NJDEP,PADEP	04/02/2019 07:39	04/02/2019 23:13	LLJ
74-97-5	Bromochloromethane	ND		ug/kg dry	1.8	3.5	1	EPA 8260C Certifications: NELAC-NY10854,NELAC-NY12058,NJDEP,PADEP	04/02/2019 07:39	04/02/2019 23:13	LLJ
75-27-4	Bromodichloromethane	ND		ug/kg dry	1.8	3.5	1	EPA 8260C Certifications: CTDOH,NELAC-NY10854,NELAC-NY12058,NJDEP,PADEP	04/02/2019 07:39	04/02/2019 23:13	LLJ
75-25-2	Bromoform	ND		ug/kg dry	1.8	3.5	1	EPA 8260C Certifications: CTDOH,NELAC-NY10854,NELAC-NY12058,NJDEP,PADEP	04/02/2019 07:39	04/02/2019 23:13	LLJ
74-83-9	Bromomethane	ND		ug/kg dry	1.8	3.5	1	EPA 8260C Certifications: CTDOH,NELAC-NY10854,NELAC-NY12058,NJDEP,PADEP	04/02/2019 07:39	04/02/2019 23:13	LLJ
75-15-0	Carbon disulfide	ND		ug/kg dry	1.8	3.5	1	EPA 8260C Certifications: CTDOH,NELAC-NY10854,NELAC-NY12058,NJDEP,PADEP	04/02/2019 07:39	04/02/2019 23:13	LLJ
56-23-5	Carbon tetrachloride	ND		ug/kg dry	1.8	3.5	1	EPA 8260C Certifications: CTDOH,NELAC-NY10854,NELAC-NY12058,NJDEP,PADEP	04/02/2019 07:39	04/02/2019 23:13	LLJ
108-90-7	Chlorobenzene	ND		ug/kg dry	1.8	3.5	1	EPA 8260C Certifications: CTDOH,NELAC-NY10854,NELAC-NY12058,NJDEP,PADEP	04/02/2019 07:39	04/02/2019 23:13	LLJ
75-00-3	Chloroethane	ND		ug/kg dry	1.8	3.5	1	EPA 8260C Certifications: CTDOH,NELAC-NY10854,NELAC-NY12058,NJDEP,PADEP	04/02/2019 07:39	04/02/2019 23:13	LLJ
67-66-3	Chloroform	ND		ug/kg dry	1.8	3.5	1	EPA 8260C Certifications: CTDOH,NELAC-NY10854,NELAC-NY12058,NJDEP,PADEP	04/02/2019 07:39	04/02/2019 23:13	LLJ
74-87-3	Chloromethane	ND		ug/kg dry	1.8	3.5	1	EPA 8260C Certifications: CTDOH,NELAC-NY10854,NELAC-NY12058,NJDEP,PADEP	04/02/2019 07:39	04/02/2019 23:13	LLJ





### Sample Information

**Client Sample ID:** PD1-SB-108 (7.5-8.5') Grab

**York Sample ID:** 19C1272-26

York Project (SDG) No.

Client Project ID

Matrix

Collection Date/Time

Date Received

19C1272

1602600 Former Safety Kleen

Soil

March 29, 2019 9:35 am

03/29/2019

**Volatile Organics, 8260 - Comprehensive**

**Log-in Notes:**

**Sample Notes:**

Sample Prepared by Method: EPA 5035A

CAS No.	Parameter	Result	Flag	Units	Reported to LOD/MDL	LOQ	Dilution	Reference Method	Date/Time Prepared	Date/Time Analyzed	Analyst
156-59-2	cis-1,2-Dichloroethylene	ND		ug/kg dry	1.8	3.5	1	EPA 8260C Certifications: CTDOH,NELAC-NY10854,NELAC-NY12058,NJDEP,PADEP	04/02/2019 07:39	04/02/2019 23:13	LLJ
10061-01-5	cis-1,3-Dichloropropylene	ND		ug/kg dry	1.8	3.5	1	EPA 8260C Certifications: CTDOH,NELAC-NY10854,NELAC-NY12058,NJDEP,PADEP	04/02/2019 07:39	04/02/2019 23:13	LLJ
110-82-7	Cyclohexane	ND		ug/kg dry	1.8	3.5	1	EPA 8260C Certifications: NELAC-NY10854,NELAC-NY12058,NJDEP,PADEP	04/02/2019 07:39	04/02/2019 23:13	LLJ
124-48-1	Dibromochloromethane	ND		ug/kg dry	1.8	3.5	1	EPA 8260C Certifications: NELAC-NY10854,NELAC-NY12058,NJDEP,PADEP	04/02/2019 07:39	04/02/2019 23:13	LLJ
74-95-3	Dibromomethane	ND		ug/kg dry	1.8	3.5	1	EPA 8260C Certifications: NELAC-NY10854,NELAC-NY12058,NJDEP,PADEP	04/02/2019 07:39	04/02/2019 23:13	LLJ
75-71-8	Dichlorodifluoromethane	ND		ug/kg dry	1.8	3.5	1	EPA 8260C Certifications: NELAC-NY10854,NELAC-NY12058,NJDEP,PADEP	04/02/2019 07:39	04/02/2019 23:13	LLJ
100-41-4	Ethyl Benzene	ND		ug/kg dry	1.8	3.5	1	EPA 8260C Certifications: CTDOH,NELAC-NY10854,NELAC-NY12058,NJDEP,PADEP	04/02/2019 07:39	04/02/2019 23:13	LLJ
87-68-3	Hexachlorobutadiene	ND		ug/kg dry	1.8	3.5	1	EPA 8260C Certifications: NELAC-NY10854,NELAC-NY12058,NJDEP,PADEP	04/02/2019 07:39	04/02/2019 23:13	LLJ
98-82-8	Isopropylbenzene	ND		ug/kg dry	1.8	3.5	1	EPA 8260C Certifications: CTDOH,NELAC-NY10854,NELAC-NY12058,NJDEP,PADEP	04/02/2019 07:39	04/02/2019 23:13	LLJ
79-20-9	Methyl acetate	ND		ug/kg dry	1.8	3.5	1	EPA 8260C Certifications: NELAC-NY10854,NELAC-NY12058,NJDEP,PADEP	04/02/2019 07:39	04/02/2019 23:13	LLJ
1634-04-4	Methyl tert-butyl ether (MTBE)	ND		ug/kg dry	1.8	3.5	1	EPA 8260C Certifications: CTDOH,NELAC-NY10854,NELAC-NY12058,NJDEP,PADEP	04/02/2019 07:39	04/02/2019 23:13	LLJ
108-87-2	Methylcyclohexane	ND		ug/kg dry	1.8	3.5	1	EPA 8260C Certifications: NELAC-NY10854,NELAC-NY12058,NJDEP,PADEP	04/02/2019 07:39	04/02/2019 23:13	LLJ
75-09-2	Methylene chloride	ND		ug/kg dry	3.5	7.1	1	EPA 8260C Certifications: CTDOH,NELAC-NY10854,NELAC-NY12058,NJDEP,PADEP	04/02/2019 07:39	04/02/2019 23:13	LLJ
104-51-8	n-Butylbenzene	ND		ug/kg dry	1.8	3.5	1	EPA 8260C Certifications: CTDOH,NELAC-NY10854,NELAC-NY12058,NJDEP,PADEP	04/02/2019 07:39	04/02/2019 23:13	LLJ
103-65-1	n-Propylbenzene	ND		ug/kg dry	1.8	3.5	1	EPA 8260C Certifications: CTDOH,NELAC-NY10854,NELAC-NY12058,NJDEP,PADEP	04/02/2019 07:39	04/02/2019 23:13	LLJ
95-47-6	o-Xylene	ND		ug/kg dry	1.8	3.5	1	EPA 8260C Certifications: CTDOH,NELAC-NY10854,NELAC-NY12058,NJDEP,PADEP	04/02/2019 07:39	04/02/2019 23:13	LLJ
179601-23-1	p- & m- Xylenes	ND		ug/kg dry	3.5	7.1	1	EPA 8260C Certifications: CTDOH,NELAC-NY10854,NELAC-NY12058,NJDEP,PADEP	04/02/2019 07:39	04/02/2019 23:13	LLJ
99-87-6	p-Isopropyltoluene	ND		ug/kg dry	1.8	3.5	1	EPA 8260C Certifications: CTDOH,NELAC-NY10854,NELAC-NY12058,NJDEP,PADEP	04/02/2019 07:39	04/02/2019 23:13	LLJ
135-98-8	sec-Butylbenzene	ND		ug/kg dry	1.8	3.5	1	EPA 8260C Certifications: CTDOH,NELAC-NY10854,NELAC-NY12058,NJDEP,PADEP	04/02/2019 07:39	04/02/2019 23:13	LLJ
100-42-5	Styrene	ND		ug/kg dry	1.8	3.5	1	EPA 8260C Certifications: CTDOH,NELAC-NY10854,NELAC-NY12058,NJDEP,PADEP	04/02/2019 07:39	04/02/2019 23:13	LLJ
75-65-0	tert-Butyl alcohol (TBA)	ND		ug/kg dry	1.8	3.5	1	EPA 8260C Certifications: NELAC-NY10854,NELAC-NY12058,NJDEP,PADEP	04/02/2019 07:39	04/02/2019 23:13	LLJ
98-06-6	tert-Butylbenzene	ND		ug/kg dry	1.8	3.5	1	EPA 8260C Certifications: CTDOH,NELAC-NY10854,NELAC-NY12058,NJDEP,PADEP	04/02/2019 07:39	04/02/2019 23:13	LLJ
127-18-4	<b>Tetrachloroethylene</b>	<b>120</b>	CCV-E, B	ug/kg dry	1.8	3.5	1	EPA 8260C Certifications: CTDOH,NELAC-NY10854,NELAC-NY12058,NJDEP,PADEP	04/02/2019 07:39	04/02/2019 23:13	LLJ



### Sample Information

**Client Sample ID:** PD1-SB-108 (7.5-8.5') Grab

**York Sample ID:** 19C1272-26

York Project (SDG) No.

Client Project ID

Matrix

Collection Date/Time

Date Received

19C1272

1602600 Former Safety Kleen

Soil

March 29, 2019 9:35 am

03/29/2019

**Volatile Organics, 8260 - Comprehensive**

**Log-in Notes:**

**Sample Notes:**

Sample Prepared by Method: EPA 5035A

CAS No.	Parameter	Result	Flag	Units	Reported to LOD/MDL	LOQ	Dilution	Reference Method	Date/Time Prepared	Date/Time Analyzed	Analyst
108-88-3	Toluene	ND		ug/kg dry	1.8	3.5	1	EPA 8260C Certifications: CTDOH,NELAC-NY10854,NELAC-NY12058,NJDEP,PADEP	04/02/2019 07:39	04/02/2019 23:13	LLJ
156-60-5	trans-1,2-Dichloroethylene	ND		ug/kg dry	1.8	3.5	1	EPA 8260C Certifications: CTDOH,NELAC-NY10854,NELAC-NY12058,NJDEP,PADEP	04/02/2019 07:39	04/02/2019 23:13	LLJ
10061-02-6	trans-1,3-Dichloropropylene	ND		ug/kg dry	1.8	3.5	1	EPA 8260C Certifications: CTDOH,NELAC-NY10854,NELAC-NY12058,NJDEP,PADEP	04/02/2019 07:39	04/02/2019 23:13	LLJ
110-57-6	* trans-1,4-dichloro-2-butene	ND		ug/kg dry	1.8	3.5	1	EPA 8260C Certifications: CTDOH	04/02/2019 07:39	04/02/2019 23:13	LLJ
79-01-6	Trichloroethylene	ND		ug/kg dry	1.8	3.5	1	EPA 8260C Certifications: CTDOH,NELAC-NY10854,NELAC-NY12058,NJDEP,PADEP	04/02/2019 07:39	04/02/2019 23:13	LLJ
75-69-4	Trichlorofluoromethane	ND		ug/kg dry	1.8	3.5	1	EPA 8260C Certifications: CTDOH,NELAC-NY10854,NELAC-NY12058,NJDEP,PADEP	04/02/2019 07:39	04/02/2019 23:13	LLJ
75-01-4	Vinyl Chloride	ND		ug/kg dry	1.8	3.5	1	EPA 8260C Certifications: CTDOH,NELAC-NY10854,NELAC-NY12058,NJDEP,PADEP	04/02/2019 07:39	04/02/2019 23:13	LLJ
1330-20-7	Xylenes, Total	ND		ug/kg dry	5.3	11	1	EPA 8260C Certifications: CTDOH,NELAC-NY10854,NELAC-NY12058,NJDEP	04/02/2019 07:39	04/02/2019 23:13	LLJ

**Surrogate Recoveries**

**Result**

**Acceptance Range**

17060-07-0	Surrogate: SURRE: 1,2-Dichloroethane-d4	114 %	77-125
2037-26-5	Surrogate: SURRE: Toluene-d8	102 %	85-120
460-00-4	Surrogate: SURRE: p-Bromofluorobenzene	111 %	76-130

**Total Solids**

**Log-in Notes:**

**Sample Notes:**

Sample Prepared by Method: % Solids Prep

CAS No.	Parameter	Result	Flag	Units	Reported to LOQ	Dilution	Reference Method	Date/Time Prepared	Date/Time Analyzed	Analyst
solids	* % Solids	89.8		%	0.100	1	SM 2540G Certifications: CTDOH	04/04/2019 11:00	04/05/2019 13:04	AS

### Sample Information

**Client Sample ID:** PD1-SB-108 (8.5-9.5') Grab

**York Sample ID:** 19C1272-27

York Project (SDG) No.

Client Project ID

Matrix

Collection Date/Time

Date Received

19C1272

1602600 Former Safety Kleen

Soil

March 29, 2019 9:55 am

03/29/2019

**Volatile Organics, 8260 - Comprehensive**

**Log-in Notes:**

**Sample Notes:**

Sample Prepared by Method: EPA 5035A

CAS No.	Parameter	Result	Flag	Units	Reported to LOD/MDL	LOQ	Dilution	Reference Method	Date/Time Prepared	Date/Time Analyzed	Analyst
630-20-6	1,1,1,2-Tetrachloroethane	ND		ug/kg dry	2.1	4.3	1	EPA 8260C Certifications: CTDOH,NELAC-NY10854,NELAC-NY12058,NJDEP,PADEP	04/02/2019 07:39	04/02/2019 23:40	LLJ



### Sample Information

**Client Sample ID:** PD1-SB-108 (8.5-9.5') Grab

**York Sample ID:** 19C1272-27

York Project (SDG) No.

Client Project ID

Matrix

Collection Date/Time

Date Received

19C1272

1602600 Former Safety Kleen

Soil

March 29, 2019 9:55 am

03/29/2019

**Volatile Organics, 8260 - Comprehensive**

**Log-in Notes:**

**Sample Notes:**

Sample Prepared by Method: EPA 5035A

CAS No.	Parameter	Result	Flag	Units	Reported to LOD/MDL	LOQ	Dilution	Reference Method	Date/Time Prepared	Date/Time Analyzed	Analyst
71-55-6	1,1,1-Trichloroethane	ND		ug/kg dry	2.1	4.3	1	EPA 8260C Certifications: CTDOH,NELAC-NY10854,NELAC-NY12058,NJDEP,PADEP	04/02/2019 07:39	04/02/2019 23:40	LLJ
79-34-5	1,1,2,2-Tetrachloroethane	ND		ug/kg dry	2.1	4.3	1	EPA 8260C Certifications: CTDOH,NELAC-NY10854,NELAC-NY12058,NJDEP,PADEP	04/02/2019 07:39	04/02/2019 23:40	LLJ
76-13-1	1,1,2-Trichloro-1,2,2-trifluoroethane (Freon 113)	ND		ug/kg dry	2.1	4.3	1	EPA 8260C Certifications: CTDOH,NELAC-NY10854,NELAC-NY12058,NJDEP	04/02/2019 07:39	04/02/2019 23:40	LLJ
79-00-5	1,1,2-Trichloroethane	ND		ug/kg dry	2.1	4.3	1	EPA 8260C Certifications: CTDOH,NELAC-NY10854,NELAC-NY12058,NJDEP,PADEP	04/02/2019 07:39	04/02/2019 23:40	LLJ
75-34-3	1,1-Dichloroethane	ND		ug/kg dry	2.1	4.3	1	EPA 8260C Certifications: CTDOH,NELAC-NY10854,NELAC-NY12058,NJDEP,PADEP	04/02/2019 07:39	04/02/2019 23:40	LLJ
75-35-4	1,1-Dichloroethylene	ND		ug/kg dry	2.1	4.3	1	EPA 8260C Certifications: CTDOH,NELAC-NY10854,NELAC-NY12058,NJDEP,PADEP	04/02/2019 07:39	04/02/2019 23:40	LLJ
87-61-6	1,2,3-Trichlorobenzene	ND		ug/kg dry	2.1	4.3	1	EPA 8260C Certifications: NELAC-NY10854,NELAC-NY12058,NJDEP,PADEP	04/02/2019 07:39	04/02/2019 23:40	LLJ
96-18-4	1,2,3-Trichloropropane	ND		ug/kg dry	2.1	4.3	1	EPA 8260C Certifications: NELAC-NY10854,NELAC-NY12058,NJDEP	04/02/2019 07:39	04/02/2019 23:40	LLJ
120-82-1	1,2,4-Trichlorobenzene	ND		ug/kg dry	2.1	4.3	1	EPA 8260C Certifications: NELAC-NY10854,NELAC-NY12058,NJDEP,PADEP	04/02/2019 07:39	04/02/2019 23:40	LLJ
95-63-6	1,2,4-Trimethylbenzene	ND		ug/kg dry	2.1	4.3	1	EPA 8260C Certifications: CTDOH,NELAC-NY10854,NELAC-NY12058,NJDEP,PADEP	04/02/2019 07:39	04/02/2019 23:40	LLJ
96-12-8	1,2-Dibromo-3-chloropropane	ND		ug/kg dry	2.1	4.3	1	EPA 8260C Certifications: CTDOH,NELAC-NY10854,NELAC-NY12058,NJDEP,PADEP	04/02/2019 07:39	04/02/2019 23:40	LLJ
106-93-4	1,2-Dibromoethane	ND		ug/kg dry	2.1	4.3	1	EPA 8260C Certifications: CTDOH,NELAC-NY10854,NELAC-NY12058,NJDEP,PADEP	04/02/2019 07:39	04/02/2019 23:40	LLJ
95-50-1	1,2-Dichlorobenzene	ND		ug/kg dry	2.1	4.3	1	EPA 8260C Certifications: CTDOH,NELAC-NY10854,NELAC-NY12058,NJDEP,PADEP	04/02/2019 07:39	04/02/2019 23:40	LLJ
107-06-2	1,2-Dichloroethane	ND		ug/kg dry	2.1	4.3	1	EPA 8260C Certifications: CTDOH,NELAC-NY10854,NELAC-NY12058,NJDEP,PADEP	04/02/2019 07:39	04/02/2019 23:40	LLJ
78-87-5	1,2-Dichloropropane	ND		ug/kg dry	2.1	4.3	1	EPA 8260C Certifications: CTDOH,NELAC-NY10854,NELAC-NY12058,NJDEP,PADEP	04/02/2019 07:39	04/02/2019 23:40	LLJ
108-67-8	1,3,5-Trimethylbenzene	ND		ug/kg dry	2.1	4.3	1	EPA 8260C Certifications: CTDOH,NELAC-NY10854,NELAC-NY12058,NJDEP,PADEP	04/02/2019 07:39	04/02/2019 23:40	LLJ
541-73-1	1,3-Dichlorobenzene	ND		ug/kg dry	2.1	4.3	1	EPA 8260C Certifications: CTDOH,NELAC-NY10854,NELAC-NY12058,NJDEP,PADEP	04/02/2019 07:39	04/02/2019 23:40	LLJ
106-46-7	1,4-Dichlorobenzene	ND		ug/kg dry	2.1	4.3	1	EPA 8260C Certifications: CTDOH,NELAC-NY10854,NELAC-NY12058,NJDEP,PADEP	04/02/2019 07:39	04/02/2019 23:40	LLJ
123-91-1	1,4-Dioxane	ND		ug/kg dry	43	86	1	EPA 8260C Certifications: NELAC-NY10854,NELAC-NY12058,NJDEP,PADEP	04/02/2019 07:39	04/02/2019 23:40	LLJ
78-93-3	2-Butanone	ND		ug/kg dry	2.1	4.3	1	EPA 8260C Certifications: CTDOH,NELAC-NY10854,NELAC-NY12058,NJDEP,PADEP	04/02/2019 07:39	04/02/2019 23:40	LLJ
591-78-6	2-Hexanone	ND		ug/kg dry	2.1	4.3	1	EPA 8260C Certifications: CTDOH,NELAC-NY10854,NELAC-NY12058,NJDEP,PADEP	04/02/2019 07:39	04/02/2019 23:40	LLJ
108-10-1	4-Methyl-2-pentanone	ND		ug/kg dry	2.1	4.3	1	EPA 8260C Certifications: CTDOH,NELAC-NY10854,NELAC-NY12058,NJDEP,PADEP	04/02/2019 07:39	04/02/2019 23:40	LLJ
67-64-1	Acetone	76		ug/kg dry	4.3	8.6	1	EPA 8260C Certifications: CTDOH,NELAC-NY10854,NELAC-NY12058,NJDEP,PADEP	04/02/2019 07:39	04/02/2019 23:40	LLJ



### Sample Information

**Client Sample ID:** PD1-SB-108 (8.5-9.5') Grab

**York Sample ID:** 19C1272-27

York Project (SDG) No.

Client Project ID

Matrix

Collection Date/Time

Date Received

19C1272

1602600 Former Safety Kleen

Soil

March 29, 2019 9:55 am

03/29/2019

**Volatile Organics, 8260 - Comprehensive**

**Log-in Notes:**

**Sample Notes:**

Sample Prepared by Method: EPA 5035A

CAS No.	Parameter	Result	Flag	Units	Reported to LOD/MDL	LOQ	Dilution	Reference Method	Date/Time Prepared	Date/Time Analyzed	Analyst
107-02-8	Acrolein	ND		ug/kg dry	4.3	8.6	1	EPA 8260C Certifications: CTDOH,NELAC-NY10854,NELAC-NY12058,NJDEP,PADEP	04/02/2019 07:39	04/02/2019 23:40	LLJ
107-13-1	Acrylonitrile	ND		ug/kg dry	2.1	4.3	1	EPA 8260C Certifications: CTDOH,NELAC-NY10854,NELAC-NY12058,NJDEP,PADEP	04/02/2019 07:39	04/02/2019 23:40	LLJ
71-43-2	Benzene	ND		ug/kg dry	2.1	4.3	1	EPA 8260C Certifications: CTDOH,NELAC-NY10854,NELAC-NY12058,NJDEP,PADEP	04/02/2019 07:39	04/02/2019 23:40	LLJ
74-97-5	Bromochloromethane	ND		ug/kg dry	2.1	4.3	1	EPA 8260C Certifications: NELAC-NY10854,NELAC-NY12058,NJDEP,PADEP	04/02/2019 07:39	04/02/2019 23:40	LLJ
75-27-4	Bromodichloromethane	ND		ug/kg dry	2.1	4.3	1	EPA 8260C Certifications: CTDOH,NELAC-NY10854,NELAC-NY12058,NJDEP,PADEP	04/02/2019 07:39	04/02/2019 23:40	LLJ
75-25-2	Bromoform	ND		ug/kg dry	2.1	4.3	1	EPA 8260C Certifications: CTDOH,NELAC-NY10854,NELAC-NY12058,NJDEP,PADEP	04/02/2019 07:39	04/02/2019 23:40	LLJ
74-83-9	Bromomethane	ND		ug/kg dry	2.1	4.3	1	EPA 8260C Certifications: CTDOH,NELAC-NY10854,NELAC-NY12058,NJDEP,PADEP	04/02/2019 07:39	04/02/2019 23:40	LLJ
75-15-0	Carbon disulfide	ND		ug/kg dry	2.1	4.3	1	EPA 8260C Certifications: CTDOH,NELAC-NY10854,NELAC-NY12058,NJDEP,PADEP	04/02/2019 07:39	04/02/2019 23:40	LLJ
56-23-5	Carbon tetrachloride	ND		ug/kg dry	2.1	4.3	1	EPA 8260C Certifications: CTDOH,NELAC-NY10854,NELAC-NY12058,NJDEP,PADEP	04/02/2019 07:39	04/02/2019 23:40	LLJ
108-90-7	Chlorobenzene	ND		ug/kg dry	2.1	4.3	1	EPA 8260C Certifications: CTDOH,NELAC-NY10854,NELAC-NY12058,NJDEP,PADEP	04/02/2019 07:39	04/02/2019 23:40	LLJ
75-00-3	Chloroethane	ND		ug/kg dry	2.1	4.3	1	EPA 8260C Certifications: CTDOH,NELAC-NY10854,NELAC-NY12058,NJDEP,PADEP	04/02/2019 07:39	04/02/2019 23:40	LLJ
67-66-3	Chloroform	ND		ug/kg dry	2.1	4.3	1	EPA 8260C Certifications: CTDOH,NELAC-NY10854,NELAC-NY12058,NJDEP,PADEP	04/02/2019 07:39	04/02/2019 23:40	LLJ
74-87-3	Chloromethane	ND		ug/kg dry	2.1	4.3	1	EPA 8260C Certifications: CTDOH,NELAC-NY10854,NELAC-NY12058,NJDEP,PADEP	04/02/2019 07:39	04/02/2019 23:40	LLJ
156-59-2	cis-1,2-Dichloroethylene	ND		ug/kg dry	2.1	4.3	1	EPA 8260C Certifications: CTDOH,NELAC-NY10854,NELAC-NY12058,NJDEP,PADEP	04/02/2019 07:39	04/02/2019 23:40	LLJ
10061-01-5	cis-1,3-Dichloropropylene	ND		ug/kg dry	2.1	4.3	1	EPA 8260C Certifications: CTDOH,NELAC-NY10854,NELAC-NY12058,NJDEP,PADEP	04/02/2019 07:39	04/02/2019 23:40	LLJ
110-82-7	Cyclohexane	ND		ug/kg dry	2.1	4.3	1	EPA 8260C Certifications: NELAC-NY10854,NELAC-NY12058,NJDEP,PADEP	04/02/2019 07:39	04/02/2019 23:40	LLJ
124-48-1	Dibromochloromethane	ND		ug/kg dry	2.1	4.3	1	EPA 8260C Certifications: NELAC-NY10854,NELAC-NY12058,NJDEP,PADEP	04/02/2019 07:39	04/02/2019 23:40	LLJ
74-95-3	Dibromomethane	ND		ug/kg dry	2.1	4.3	1	EPA 8260C Certifications: NELAC-NY10854,NELAC-NY12058,NJDEP,PADEP	04/02/2019 07:39	04/02/2019 23:40	LLJ
75-71-8	Dichlorodifluoromethane	ND		ug/kg dry	2.1	4.3	1	EPA 8260C Certifications: NELAC-NY10854,NELAC-NY12058,NJDEP,PADEP	04/02/2019 07:39	04/02/2019 23:40	LLJ
100-41-4	Ethyl Benzene	ND		ug/kg dry	2.1	4.3	1	EPA 8260C Certifications: CTDOH,NELAC-NY10854,NELAC-NY12058,NJDEP,PADEP	04/02/2019 07:39	04/02/2019 23:40	LLJ
87-68-3	Hexachlorobutadiene	ND		ug/kg dry	2.1	4.3	1	EPA 8260C Certifications: NELAC-NY10854,NELAC-NY12058,NJDEP,PADEP	04/02/2019 07:39	04/02/2019 23:40	LLJ
98-82-8	Isopropylbenzene	ND		ug/kg dry	2.1	4.3	1	EPA 8260C Certifications: CTDOH,NELAC-NY10854,NELAC-NY12058,NJDEP,PADEP	04/02/2019 07:39	04/02/2019 23:40	LLJ
79-20-9	Methyl acetate	ND		ug/kg dry	2.1	4.3	1	EPA 8260C Certifications: NELAC-NY10854,NELAC-NY12058,NJDEP,PADEP	04/02/2019 07:39	04/02/2019 23:40	LLJ



### Sample Information

**Client Sample ID:** PD1-SB-108 (8.5-9.5') Grab

**York Sample ID:** 19C1272-27

York Project (SDG) No.

Client Project ID

Matrix

Collection Date/Time

Date Received

19C1272

1602600 Former Safety Kleen

Soil

March 29, 2019 9:55 am

03/29/2019

**Volatile Organics, 8260 - Comprehensive**

**Log-in Notes:**

**Sample Notes:**

Sample Prepared by Method: EPA 5035A

CAS No.	Parameter	Result	Flag	Units	Reported to LOD/MDL	LOQ	Dilution	Reference Method	Date/Time Prepared	Date/Time Analyzed	Analyst
1634-04-4	Methyl tert-butyl ether (MTBE)	ND		ug/kg dry	2.1	4.3	1	EPA 8260C Certifications: CTDOH,NELAC-NY10854,NELAC-NY12058,NJDEP,PADEP	04/02/2019 07:39	04/02/2019 23:40	LLJ
108-87-2	Methylcyclohexane	ND		ug/kg dry	2.1	4.3	1	EPA 8260C Certifications: NELAC-NY10854,NELAC-NY12058,NJDEP,PADEP	04/02/2019 07:39	04/02/2019 23:40	LLJ
75-09-2	<b>Methylene chloride</b>	<b>5.1</b>	J	ug/kg dry	4.3	8.6	1	EPA 8260C Certifications: CTDOH,NELAC-NY10854,NELAC-NY12058,NJDEP,PADEP	04/02/2019 07:39	04/02/2019 23:40	LLJ
104-51-8	n-Butylbenzene	ND		ug/kg dry	2.1	4.3	1	EPA 8260C Certifications: CTDOH,NELAC-NY10854,NELAC-NY12058,NJDEP,PADEP	04/02/2019 07:39	04/02/2019 23:40	LLJ
103-65-1	n-Propylbenzene	ND		ug/kg dry	2.1	4.3	1	EPA 8260C Certifications: CTDOH,NELAC-NY10854,NELAC-NY12058,NJDEP,PADEP	04/02/2019 07:39	04/02/2019 23:40	LLJ
95-47-6	o-Xylene	ND		ug/kg dry	2.1	4.3	1	EPA 8260C Certifications: CTDOH,NELAC-NY10854,NELAC-NY12058,PADEP	04/02/2019 07:39	04/02/2019 23:40	LLJ
179601-23-1	p- & m- Xylenes	ND		ug/kg dry	4.3	8.6	1	EPA 8260C Certifications: CTDOH,NELAC-NY10854,NELAC-NY12058,PADEP	04/02/2019 07:39	04/02/2019 23:40	LLJ
99-87-6	p-Isopropyltoluene	ND		ug/kg dry	2.1	4.3	1	EPA 8260C Certifications: CTDOH,NELAC-NY10854,NELAC-NY12058,NJDEP,PADEP	04/02/2019 07:39	04/02/2019 23:40	LLJ
135-98-8	sec-Butylbenzene	ND		ug/kg dry	2.1	4.3	1	EPA 8260C Certifications: CTDOH,NELAC-NY10854,NELAC-NY12058,NJDEP,PADEP	04/02/2019 07:39	04/02/2019 23:40	LLJ
100-42-5	Styrene	ND		ug/kg dry	2.1	4.3	1	EPA 8260C Certifications: CTDOH,NELAC-NY10854,NELAC-NY12058,NJDEP,PADEP	04/02/2019 07:39	04/02/2019 23:40	LLJ
75-65-0	tert-Butyl alcohol (TBA)	ND		ug/kg dry	2.1	4.3	1	EPA 8260C Certifications: NELAC-NY10854,NELAC-NY12058,NJDEP,PADEP	04/02/2019 07:39	04/02/2019 23:40	LLJ
98-06-6	tert-Butylbenzene	ND		ug/kg dry	2.1	4.3	1	EPA 8260C Certifications: CTDOH,NELAC-NY10854,NELAC-NY12058,NJDEP,PADEP	04/02/2019 07:39	04/02/2019 23:40	LLJ
127-18-4	<b>Tetrachloroethylene</b>	<b>19</b>	CCV-E, B	ug/kg dry	2.1	4.3	1	EPA 8260C Certifications: CTDOH,NELAC-NY10854,NELAC-NY12058,NJDEP,PADEP	04/02/2019 07:39	04/02/2019 23:40	LLJ
108-88-3	Toluene	ND		ug/kg dry	2.1	4.3	1	EPA 8260C Certifications: CTDOH,NELAC-NY10854,NELAC-NY12058,NJDEP,PADEP	04/02/2019 07:39	04/02/2019 23:40	LLJ
156-60-5	trans-1,2-Dichloroethylene	ND		ug/kg dry	2.1	4.3	1	EPA 8260C Certifications: CTDOH,NELAC-NY10854,NELAC-NY12058,NJDEP,PADEP	04/02/2019 07:39	04/02/2019 23:40	LLJ
10061-02-6	trans-1,3-Dichloropropylene	ND		ug/kg dry	2.1	4.3	1	EPA 8260C Certifications: CTDOH,NELAC-NY10854,NELAC-NY12058,NJDEP,PADEP	04/02/2019 07:39	04/02/2019 23:40	LLJ
110-57-6	* trans-1,4-dichloro-2-butene	ND		ug/kg dry	2.1	4.3	1	EPA 8260C Certifications: CTDOH	04/02/2019 07:39	04/02/2019 23:40	LLJ
79-01-6	Trichloroethylene	ND		ug/kg dry	2.1	4.3	1	EPA 8260C Certifications: CTDOH,NELAC-NY10854,NELAC-NY12058,NJDEP,PADEP	04/02/2019 07:39	04/02/2019 23:40	LLJ
75-69-4	Trichlorofluoromethane	ND		ug/kg dry	2.1	4.3	1	EPA 8260C Certifications: CTDOH,NELAC-NY10854,NELAC-NY12058,NJDEP,PADEP	04/02/2019 07:39	04/02/2019 23:40	LLJ
75-01-4	Vinyl Chloride	ND		ug/kg dry	2.1	4.3	1	EPA 8260C Certifications: CTDOH,NELAC-NY10854,NELAC-NY12058,NJDEP,PADEP	04/02/2019 07:39	04/02/2019 23:40	LLJ
1330-20-7	Xylenes, Total	ND		ug/kg dry	6.4	13	1	EPA 8260C Certifications: CTDOH,NELAC-NY10854,NELAC-NY12058,NJDEP	04/02/2019 07:39	04/02/2019 23:40	LLJ

	Surrogate Recoveries	Result	Acceptance Range
17060-07-0	Surrogate: SURR: 1,2-Dichloroethane-d4	115 %	77-125
2037-26-5	Surrogate: SURR: Toluene-d8	99.4 %	85-120
460-00-4	Surrogate: SURR: p-Bromofluorobenzene	110 %	76-130



### Sample Information

**Client Sample ID:** PD1-SB-108 (8.5-9.5') Grab

**York Sample ID:** 19C1272-27

<u>York Project (SDG) No.</u> 19C1272	<u>Client Project ID</u> 1602600 Former Safety Kleen	<u>Matrix</u> Soil	<u>Collection Date/Time</u> March 29, 2019 9:55 am	<u>Date Received</u> 03/29/2019
--	---	-----------------------	---	------------------------------------

**Total Solids**

Log-in Notes:

Sample Notes:

Sample Prepared by Method: % Solids Prep

CAS No.	Parameter	Result	Flag	Units	Reported to LOQ	Dilution	Reference Method	Date/Time Prepared	Date/Time Analyzed	Analyst
solids	* % Solids	90.3		%	0.100	1	SM 2540G Certifications: CTDOH	04/04/2019 11:00	04/05/2019 13:04	AS

### Sample Information

**Client Sample ID:** PD1-SB-108 (9.5-12') Grab

**York Sample ID:** 19C1272-28

<u>York Project (SDG) No.</u> 19C1272	<u>Client Project ID</u> 1602600 Former Safety Kleen	<u>Matrix</u> Soil	<u>Collection Date/Time</u> March 29, 2019 10:00 am	<u>Date Received</u> 03/29/2019
--	---	-----------------------	--	------------------------------------

**Volatile Organics, 8260 - Comprehensive**

Log-in Notes:

Sample Notes:

Sample Prepared by Method: EPA 5035A

CAS No.	Parameter	Result	Flag	Units	Reported to LOD/MDL	LOQ	Dilution	Reference Method	Date/Time Prepared	Date/Time Analyzed	Analyst
630-20-6	1,1,1,2-Tetrachloroethane	ND		ug/kg dry	2.3	4.5	1	EPA 8260C Certifications: CTDOH,NELAC-NY10854,NELAC-NY12058,NJDEP,PADEP	04/02/2019 07:39	04/03/2019 00:07	LLJ
71-55-6	1,1,1-Trichloroethane	ND		ug/kg dry	2.3	4.5	1	EPA 8260C Certifications: CTDOH,NELAC-NY10854,NELAC-NY12058,NJDEP,PADEP	04/02/2019 07:39	04/03/2019 00:07	LLJ
79-34-5	1,1,2,2-Tetrachloroethane	ND		ug/kg dry	2.3	4.5	1	EPA 8260C Certifications: CTDOH,NELAC-NY10854,NELAC-NY12058,NJDEP,PADEP	04/02/2019 07:39	04/03/2019 00:07	LLJ
76-13-1	1,1,2-Trichloro-1,2,2-trifluoroethane (Freon 113)	ND		ug/kg dry	2.3	4.5	1	EPA 8260C Certifications: CTDOH,NELAC-NY10854,NELAC-NY12058,NJDEP	04/02/2019 07:39	04/03/2019 00:07	LLJ
79-00-5	1,1,2-Trichloroethane	ND		ug/kg dry	2.3	4.5	1	EPA 8260C Certifications: CTDOH,NELAC-NY10854,NELAC-NY12058,NJDEP,PADEP	04/02/2019 07:39	04/03/2019 00:07	LLJ
75-34-3	1,1-Dichloroethane	ND		ug/kg dry	2.3	4.5	1	EPA 8260C Certifications: CTDOH,NELAC-NY10854,NELAC-NY12058,NJDEP,PADEP	04/02/2019 07:39	04/03/2019 00:07	LLJ
75-35-4	1,1-Dichloroethylene	ND		ug/kg dry	2.3	4.5	1	EPA 8260C Certifications: CTDOH,NELAC-NY10854,NELAC-NY12058,NJDEP,PADEP	04/02/2019 07:39	04/03/2019 00:07	LLJ
87-61-6	1,2,3-Trichlorobenzene	ND		ug/kg dry	2.3	4.5	1	EPA 8260C Certifications: NELAC-NY10854,NELAC-NY12058,NJDEP,PADEP	04/02/2019 07:39	04/03/2019 00:07	LLJ
96-18-4	1,2,3-Trichloropropane	ND		ug/kg dry	2.3	4.5	1	EPA 8260C Certifications: NELAC-NY10854,NELAC-NY12058,NJDEP	04/02/2019 07:39	04/03/2019 00:07	LLJ
120-82-1	1,2,4-Trichlorobenzene	ND		ug/kg dry	2.3	4.5	1	EPA 8260C Certifications: NELAC-NY10854,NELAC-NY12058,NJDEP,PADEP	04/02/2019 07:39	04/03/2019 00:07	LLJ
95-63-6	1,2,4-Trimethylbenzene	ND		ug/kg dry	2.3	4.5	1	EPA 8260C Certifications: CTDOH,NELAC-NY10854,NELAC-NY12058,NJDEP,PADEP	04/02/2019 07:39	04/03/2019 00:07	LLJ
96-12-8	1,2-Dibromo-3-chloropropane	ND		ug/kg dry	2.3	4.5	1	EPA 8260C Certifications: CTDOH,NELAC-NY10854,NELAC-NY12058,NJDEP,PADEP	04/02/2019 07:39	04/03/2019 00:07	LLJ
106-93-4	1,2-Dibromoethane	ND		ug/kg dry	2.3	4.5	1	EPA 8260C Certifications: CTDOH,NELAC-NY10854,NELAC-NY12058,NJDEP,PADEP	04/02/2019 07:39	04/03/2019 00:07	LLJ
95-50-1	1,2-Dichlorobenzene	ND		ug/kg dry	2.3	4.5	1	EPA 8260C Certifications: CTDOH,NELAC-NY10854,NELAC-NY12058,NJDEP,PADEP	04/02/2019 07:39	04/03/2019 00:07	LLJ



### Sample Information

**Client Sample ID:** PD1-SB-108 (9.5-12') Grab

**York Sample ID:** 19C1272-28

York Project (SDG) No.

Client Project ID

Matrix

Collection Date/Time

Date Received

19C1272

1602600 Former Safety Kleen

Soil

March 29, 2019 10:00 am

03/29/2019

**Volatile Organics, 8260 - Comprehensive**

**Log-in Notes:**

**Sample Notes:**

Sample Prepared by Method: EPA 5035A

CAS No.	Parameter	Result	Flag	Units	Reported to LOD/MDL	LOQ	Dilution	Reference Method	Date/Time Prepared	Date/Time Analyzed	Analyst
107-06-2	1,2-Dichloroethane	ND		ug/kg dry	2.3	4.5	1	EPA 8260C Certifications: CTDOH,NELAC-NY10854,NELAC-NY12058,NJDEP,PADEP	04/02/2019 07:39	04/03/2019 00:07	LLJ
78-87-5	1,2-Dichloropropane	ND		ug/kg dry	2.3	4.5	1	EPA 8260C Certifications: CTDOH,NELAC-NY10854,NELAC-NY12058,NJDEP,PADEP	04/02/2019 07:39	04/03/2019 00:07	LLJ
108-67-8	1,3,5-Trimethylbenzene	ND		ug/kg dry	2.3	4.5	1	EPA 8260C Certifications: CTDOH,NELAC-NY10854,NELAC-NY12058,NJDEP,PADEP	04/02/2019 07:39	04/03/2019 00:07	LLJ
541-73-1	1,3-Dichlorobenzene	ND		ug/kg dry	2.3	4.5	1	EPA 8260C Certifications: CTDOH,NELAC-NY10854,NELAC-NY12058,NJDEP,PADEP	04/02/2019 07:39	04/03/2019 00:07	LLJ
106-46-7	1,4-Dichlorobenzene	ND		ug/kg dry	2.3	4.5	1	EPA 8260C Certifications: CTDOH,NELAC-NY10854,NELAC-NY12058,NJDEP,PADEP	04/02/2019 07:39	04/03/2019 00:07	LLJ
123-91-1	1,4-Dioxane	ND		ug/kg dry	45	90	1	EPA 8260C Certifications: NELAC-NY10854,NELAC-NY12058,NJDEP,PADEP	04/02/2019 07:39	04/03/2019 00:07	LLJ
78-93-3	2-Butanone	ND		ug/kg dry	2.3	4.5	1	EPA 8260C Certifications: CTDOH,NELAC-NY10854,NELAC-NY12058,NJDEP,PADEP	04/02/2019 07:39	04/03/2019 00:07	LLJ
591-78-6	2-Hexanone	ND		ug/kg dry	2.3	4.5	1	EPA 8260C Certifications: CTDOH,NELAC-NY10854,NELAC-NY12058,NJDEP,PADEP	04/02/2019 07:39	04/03/2019 00:07	LLJ
108-10-1	4-Methyl-2-pentanone	ND		ug/kg dry	2.3	4.5	1	EPA 8260C Certifications: CTDOH,NELAC-NY10854,NELAC-NY12058,NJDEP,PADEP	04/02/2019 07:39	04/03/2019 00:07	LLJ
67-64-1	Acetone	ND		ug/kg dry	4.5	9.0	1	EPA 8260C Certifications: CTDOH,NELAC-NY10854,NELAC-NY12058,NJDEP,PADEP	04/02/2019 07:39	04/03/2019 00:07	LLJ
107-02-8	Acrolein	ND		ug/kg dry	4.5	9.0	1	EPA 8260C Certifications: CTDOH,NELAC-NY10854,NELAC-NY12058,NJDEP,PADEP	04/02/2019 07:39	04/03/2019 00:07	LLJ
107-13-1	Acrylonitrile	ND		ug/kg dry	2.3	4.5	1	EPA 8260C Certifications: CTDOH,NELAC-NY10854,NELAC-NY12058,NJDEP,PADEP	04/02/2019 07:39	04/03/2019 00:07	LLJ
71-43-2	Benzene	ND		ug/kg dry	2.3	4.5	1	EPA 8260C Certifications: CTDOH,NELAC-NY10854,NELAC-NY12058,NJDEP,PADEP	04/02/2019 07:39	04/03/2019 00:07	LLJ
74-97-5	Bromochloromethane	ND		ug/kg dry	2.3	4.5	1	EPA 8260C Certifications: NELAC-NY10854,NELAC-NY12058,NJDEP,PADEP	04/02/2019 07:39	04/03/2019 00:07	LLJ
75-27-4	Bromodichloromethane	ND		ug/kg dry	2.3	4.5	1	EPA 8260C Certifications: CTDOH,NELAC-NY10854,NELAC-NY12058,NJDEP,PADEP	04/02/2019 07:39	04/03/2019 00:07	LLJ
75-25-2	Bromoform	ND		ug/kg dry	2.3	4.5	1	EPA 8260C Certifications: CTDOH,NELAC-NY10854,NELAC-NY12058,NJDEP,PADEP	04/02/2019 07:39	04/03/2019 00:07	LLJ
74-83-9	Bromomethane	ND		ug/kg dry	2.3	4.5	1	EPA 8260C Certifications: CTDOH,NELAC-NY10854,NELAC-NY12058,NJDEP,PADEP	04/02/2019 07:39	04/03/2019 00:07	LLJ
75-15-0	Carbon disulfide	ND		ug/kg dry	2.3	4.5	1	EPA 8260C Certifications: CTDOH,NELAC-NY10854,NELAC-NY12058,NJDEP,PADEP	04/02/2019 07:39	04/03/2019 00:07	LLJ
56-23-5	Carbon tetrachloride	ND		ug/kg dry	2.3	4.5	1	EPA 8260C Certifications: CTDOH,NELAC-NY10854,NELAC-NY12058,NJDEP,PADEP	04/02/2019 07:39	04/03/2019 00:07	LLJ
108-90-7	Chlorobenzene	ND		ug/kg dry	2.3	4.5	1	EPA 8260C Certifications: CTDOH,NELAC-NY10854,NELAC-NY12058,NJDEP,PADEP	04/02/2019 07:39	04/03/2019 00:07	LLJ
75-00-3	Chloroethane	ND		ug/kg dry	2.3	4.5	1	EPA 8260C Certifications: CTDOH,NELAC-NY10854,NELAC-NY12058,NJDEP,PADEP	04/02/2019 07:39	04/03/2019 00:07	LLJ
67-66-3	Chloroform	ND		ug/kg dry	2.3	4.5	1	EPA 8260C Certifications: CTDOH,NELAC-NY10854,NELAC-NY12058,NJDEP,PADEP	04/02/2019 07:39	04/03/2019 00:07	LLJ
74-87-3	Chloromethane	ND		ug/kg dry	2.3	4.5	1	EPA 8260C Certifications: CTDOH,NELAC-NY10854,NELAC-NY12058,NJDEP,PADEP	04/02/2019 07:39	04/03/2019 00:07	LLJ



### Sample Information

**Client Sample ID:** PD1-SB-108 (9.5-12') Grab

**York Sample ID:** 19C1272-28

York Project (SDG) No.

Client Project ID

Matrix

Collection Date/Time

Date Received

19C1272

1602600 Former Safety Kleen

Soil

March 29, 2019 10:00 am

03/29/2019

**Volatile Organics, 8260 - Comprehensive**

**Log-in Notes:**

**Sample Notes:**

Sample Prepared by Method: EPA 5035A

CAS No.	Parameter	Result	Flag	Units	Reported to LOD/MDL	LOQ	Dilution	Reference Method	Date/Time Prepared	Date/Time Analyzed	Analyst
156-59-2	cis-1,2-Dichloroethylene	ND		ug/kg dry	2.3	4.5	1	EPA 8260C Certifications: CTDOH,NELAC-NY10854,NELAC-NY12058,NJDEP,PADEP	04/02/2019 07:39	04/03/2019 00:07	LLJ
10061-01-5	cis-1,3-Dichloropropylene	ND		ug/kg dry	2.3	4.5	1	EPA 8260C Certifications: CTDOH,NELAC-NY10854,NELAC-NY12058,NJDEP,PADEP	04/02/2019 07:39	04/03/2019 00:07	LLJ
110-82-7	Cyclohexane	ND		ug/kg dry	2.3	4.5	1	EPA 8260C Certifications: NELAC-NY10854,NELAC-NY12058,NJDEP,PADEP	04/02/2019 07:39	04/03/2019 00:07	LLJ
124-48-1	Dibromochloromethane	ND		ug/kg dry	2.3	4.5	1	EPA 8260C Certifications: NELAC-NY10854,NELAC-NY12058,NJDEP,PADEP	04/02/2019 07:39	04/03/2019 00:07	LLJ
74-95-3	Dibromomethane	ND		ug/kg dry	2.3	4.5	1	EPA 8260C Certifications: NELAC-NY10854,NELAC-NY12058,NJDEP,PADEP	04/02/2019 07:39	04/03/2019 00:07	LLJ
75-71-8	Dichlorodifluoromethane	ND		ug/kg dry	2.3	4.5	1	EPA 8260C Certifications: NELAC-NY10854,NELAC-NY12058,NJDEP,PADEP	04/02/2019 07:39	04/03/2019 00:07	LLJ
100-41-4	Ethyl Benzene	ND		ug/kg dry	2.3	4.5	1	EPA 8260C Certifications: CTDOH,NELAC-NY10854,NELAC-NY12058,NJDEP,PADEP	04/02/2019 07:39	04/03/2019 00:07	LLJ
87-68-3	Hexachlorobutadiene	ND		ug/kg dry	2.3	4.5	1	EPA 8260C Certifications: NELAC-NY10854,NELAC-NY12058,NJDEP,PADEP	04/02/2019 07:39	04/03/2019 00:07	LLJ
98-82-8	Isopropylbenzene	ND		ug/kg dry	2.3	4.5	1	EPA 8260C Certifications: CTDOH,NELAC-NY10854,NELAC-NY12058,NJDEP,PADEP	04/02/2019 07:39	04/03/2019 00:07	LLJ
79-20-9	Methyl acetate	ND		ug/kg dry	2.3	4.5	1	EPA 8260C Certifications: NELAC-NY10854,NELAC-NY12058,NJDEP,PADEP	04/02/2019 07:39	04/03/2019 00:07	LLJ
1634-04-4	Methyl tert-butyl ether (MTBE)	ND		ug/kg dry	2.3	4.5	1	EPA 8260C Certifications: CTDOH,NELAC-NY10854,NELAC-NY12058,NJDEP,PADEP	04/02/2019 07:39	04/03/2019 00:07	LLJ
108-87-2	Methylcyclohexane	ND		ug/kg dry	2.3	4.5	1	EPA 8260C Certifications: NELAC-NY10854,NELAC-NY12058,NJDEP,PADEP	04/02/2019 07:39	04/03/2019 00:07	LLJ
75-09-2	<b>Methylene chloride</b>	<b>8.6</b>	<b>J</b>	ug/kg dry	4.5	9.0	1	EPA 8260C Certifications: CTDOH,NELAC-NY10854,NELAC-NY12058,NJDEP,PADEP	04/02/2019 07:39	04/03/2019 00:07	LLJ
104-51-8	n-Butylbenzene	ND		ug/kg dry	2.3	4.5	1	EPA 8260C Certifications: CTDOH,NELAC-NY10854,NELAC-NY12058,NJDEP,PADEP	04/02/2019 07:39	04/03/2019 00:07	LLJ
103-65-1	n-Propylbenzene	ND		ug/kg dry	2.3	4.5	1	EPA 8260C Certifications: CTDOH,NELAC-NY10854,NELAC-NY12058,NJDEP,PADEP	04/02/2019 07:39	04/03/2019 00:07	LLJ
95-47-6	o-Xylene	ND		ug/kg dry	2.3	4.5	1	EPA 8260C Certifications: CTDOH,NELAC-NY10854,NELAC-NY12058,PADEP	04/02/2019 07:39	04/03/2019 00:07	LLJ
179601-23-1	p- & m- Xylenes	ND		ug/kg dry	4.5	9.0	1	EPA 8260C Certifications: CTDOH,NELAC-NY10854,NELAC-NY12058,PADEP	04/02/2019 07:39	04/03/2019 00:07	LLJ
99-87-6	p-Isopropyltoluene	ND		ug/kg dry	2.3	4.5	1	EPA 8260C Certifications: CTDOH,NELAC-NY10854,NELAC-NY12058,NJDEP,PADEP	04/02/2019 07:39	04/03/2019 00:07	LLJ
135-98-8	sec-Butylbenzene	ND		ug/kg dry	2.3	4.5	1	EPA 8260C Certifications: CTDOH,NELAC-NY10854,NELAC-NY12058,NJDEP,PADEP	04/02/2019 07:39	04/03/2019 00:07	LLJ
100-42-5	Styrene	ND		ug/kg dry	2.3	4.5	1	EPA 8260C Certifications: CTDOH,NELAC-NY10854,NELAC-NY12058,NJDEP,PADEP	04/02/2019 07:39	04/03/2019 00:07	LLJ
75-65-0	tert-Butyl alcohol (TBA)	ND		ug/kg dry	2.3	4.5	1	EPA 8260C Certifications: NELAC-NY10854,NELAC-NY12058,NJDEP,PADEP	04/02/2019 07:39	04/03/2019 00:07	LLJ
98-06-6	tert-Butylbenzene	ND		ug/kg dry	2.3	4.5	1	EPA 8260C Certifications: CTDOH,NELAC-NY10854,NELAC-NY12058,NJDEP,PADEP	04/02/2019 07:39	04/03/2019 00:07	LLJ
127-18-4	<b>Tetrachloroethylene</b>	<b>41</b>	<b>CCV-E, B</b>	ug/kg dry	2.3	4.5	1	EPA 8260C Certifications: CTDOH,NELAC-NY10854,NELAC-NY12058,NJDEP,PADEP	04/02/2019 07:39	04/03/2019 00:07	LLJ





### Sample Information

**Client Sample ID:** PD1-SB-108 (9.5-12') Grab

**York Sample ID:** 19C1272-28

York Project (SDG) No.

Client Project ID

Matrix

Collection Date/Time

Date Received

19C1272

1602600 Former Safety Kleen

Soil

March 29, 2019 10:00 am

03/29/2019

**Volatile Organics, 8260 - Comprehensive**

**Log-in Notes:**

**Sample Notes:**

Sample Prepared by Method: EPA 5035A

CAS No.	Parameter	Result	Flag	Units	Reported to LOD/MDL	LOQ	Dilution	Reference Method	Date/Time Prepared	Date/Time Analyzed	Analyst
108-88-3	Toluene	ND		ug/kg dry	2.3	4.5	1	EPA 8260C Certifications: CTDOH,NELAC-NY10854,NELAC-NY12058,NJDEP,PADEP	04/02/2019 07:39	04/03/2019 00:07	LLJ
156-60-5	trans-1,2-Dichloroethylene	ND		ug/kg dry	2.3	4.5	1	EPA 8260C Certifications: CTDOH,NELAC-NY10854,NELAC-NY12058,NJDEP,PADEP	04/02/2019 07:39	04/03/2019 00:07	LLJ
10061-02-6	trans-1,3-Dichloropropylene	ND		ug/kg dry	2.3	4.5	1	EPA 8260C Certifications: CTDOH,NELAC-NY10854,NELAC-NY12058,NJDEP,PADEP	04/02/2019 07:39	04/03/2019 00:07	LLJ
110-57-6	* trans-1,4-dichloro-2-butene	ND		ug/kg dry	2.3	4.5	1	EPA 8260C Certifications: CTDOH	04/02/2019 07:39	04/03/2019 00:07	LLJ
79-01-6	Trichloroethylene	ND		ug/kg dry	2.3	4.5	1	EPA 8260C Certifications: CTDOH,NELAC-NY10854,NELAC-NY12058,NJDEP,PADEP	04/02/2019 07:39	04/03/2019 00:07	LLJ
75-69-4	Trichlorofluoromethane	ND		ug/kg dry	2.3	4.5	1	EPA 8260C Certifications: CTDOH,NELAC-NY10854,NELAC-NY12058,NJDEP,PADEP	04/02/2019 07:39	04/03/2019 00:07	LLJ
75-01-4	Vinyl Chloride	ND		ug/kg dry	2.3	4.5	1	EPA 8260C Certifications: CTDOH,NELAC-NY10854,NELAC-NY12058,NJDEP,PADEP	04/02/2019 07:39	04/03/2019 00:07	LLJ
1330-20-7	Xylenes, Total	ND		ug/kg dry	6.8	14	1	EPA 8260C Certifications: CTDOH,NELAC-NY10854,NELAC-NY12058,NJDEP	04/02/2019 07:39	04/03/2019 00:07	LLJ

**Surrogate Recoveries**

**Result**

**Acceptance Range**

17060-07-0	Surrogate: SURRE: 1,2-Dichloroethane-d4	118 %	77-125
2037-26-5	Surrogate: SURRE: Toluene-d8	99.2 %	85-120
460-00-4	Surrogate: SURRE: p-Bromofluorobenzene	108 %	76-130

**Total Solids**

**Log-in Notes:**

**Sample Notes:**

Sample Prepared by Method: % Solids Prep

CAS No.	Parameter	Result	Flag	Units	Reported to LOQ	Dilution	Reference Method	Date/Time Prepared	Date/Time Analyzed	Analyst
solids	* % Solids	90.9		%	0.100	1	SM 2540G Certifications: CTDOH	04/04/2019 11:00	04/05/2019 13:04	AS

### Sample Information

**Client Sample ID:** DUP-2 Grab

**York Sample ID:** 19C1272-29

York Project (SDG) No.

Client Project ID

Matrix

Collection Date/Time

Date Received

19C1272

1602600 Former Safety Kleen

Soil

March 29, 2019 7:00 am

03/29/2019

**Volatile Organics, 8260 - Comprehensive**

**Log-in Notes:**

**Sample Notes:**

Sample Prepared by Method: EPA 5035A

CAS No.	Parameter	Result	Flag	Units	Reported to LOD/MDL	LOQ	Dilution	Reference Method	Date/Time Prepared	Date/Time Analyzed	Analyst
630-20-6	1,1,1,2-Tetrachloroethane	ND		ug/kg dry	2.1	4.1	1	EPA 8260C Certifications: CTDOH,NELAC-NY10854,NELAC-NY12058,NJDEP,PADEP	04/02/2019 07:39	04/03/2019 00:34	LLJ



### Sample Information

**Client Sample ID:** DUP-2 Grab

**York Sample ID:** 19C1272-29

York Project (SDG) No.

Client Project ID

Matrix

Collection Date/Time

Date Received

19C1272

1602600 Former Safety Kleen

Soil

March 29, 2019 7:00 am

03/29/2019

**Volatile Organics, 8260 - Comprehensive**

**Log-in Notes:**

**Sample Notes:**

Sample Prepared by Method: EPA 5035A

CAS No.	Parameter	Result	Flag	Units	Reported to LOD/MDL	LOQ	Dilution	Reference Method	Date/Time Prepared	Date/Time Analyzed	Analyst
71-55-6	1,1,1-Trichloroethane	ND		ug/kg dry	2.1	4.1	1	EPA 8260C Certifications: CTDOH,NELAC-NY10854,NELAC-NY12058,NJDEP,PADEP	04/02/2019 07:39	04/03/2019 00:34	LLJ
79-34-5	1,1,2,2-Tetrachloroethane	ND		ug/kg dry	2.1	4.1	1	EPA 8260C Certifications: CTDOH,NELAC-NY10854,NELAC-NY12058,NJDEP,PADEP	04/02/2019 07:39	04/03/2019 00:34	LLJ
76-13-1	1,1,2-Trichloro-1,2,2-trifluoroethane (Freon 113)	ND		ug/kg dry	2.1	4.1	1	EPA 8260C Certifications: CTDOH,NELAC-NY10854,NELAC-NY12058,NJDEP	04/02/2019 07:39	04/03/2019 00:34	LLJ
79-00-5	1,1,2-Trichloroethane	ND		ug/kg dry	2.1	4.1	1	EPA 8260C Certifications: CTDOH,NELAC-NY10854,NELAC-NY12058,NJDEP,PADEP	04/02/2019 07:39	04/03/2019 00:34	LLJ
75-34-3	1,1-Dichloroethane	ND		ug/kg dry	2.1	4.1	1	EPA 8260C Certifications: CTDOH,NELAC-NY10854,NELAC-NY12058,NJDEP,PADEP	04/02/2019 07:39	04/03/2019 00:34	LLJ
75-35-4	1,1-Dichloroethylene	ND		ug/kg dry	2.1	4.1	1	EPA 8260C Certifications: CTDOH,NELAC-NY10854,NELAC-NY12058,NJDEP,PADEP	04/02/2019 07:39	04/03/2019 00:34	LLJ
87-61-6	1,2,3-Trichlorobenzene	ND		ug/kg dry	2.1	4.1	1	EPA 8260C Certifications: NELAC-NY10854,NELAC-NY12058,NJDEP,PADEP	04/02/2019 07:39	04/03/2019 00:34	LLJ
96-18-4	1,2,3-Trichloropropane	ND		ug/kg dry	2.1	4.1	1	EPA 8260C Certifications: NELAC-NY10854,NELAC-NY12058,NJDEP	04/02/2019 07:39	04/03/2019 00:34	LLJ
120-82-1	1,2,4-Trichlorobenzene	ND		ug/kg dry	2.1	4.1	1	EPA 8260C Certifications: NELAC-NY10854,NELAC-NY12058,NJDEP,PADEP	04/02/2019 07:39	04/03/2019 00:34	LLJ
95-63-6	1,2,4-Trimethylbenzene	ND		ug/kg dry	2.1	4.1	1	EPA 8260C Certifications: CTDOH,NELAC-NY10854,NELAC-NY12058,NJDEP,PADEP	04/02/2019 07:39	04/03/2019 00:34	LLJ
96-12-8	1,2-Dibromo-3-chloropropane	ND		ug/kg dry	2.1	4.1	1	EPA 8260C Certifications: CTDOH,NELAC-NY10854,NELAC-NY12058,NJDEP,PADEP	04/02/2019 07:39	04/03/2019 00:34	LLJ
106-93-4	1,2-Dibromoethane	ND		ug/kg dry	2.1	4.1	1	EPA 8260C Certifications: CTDOH,NELAC-NY10854,NELAC-NY12058,NJDEP,PADEP	04/02/2019 07:39	04/03/2019 00:34	LLJ
95-50-1	1,2-Dichlorobenzene	ND		ug/kg dry	2.1	4.1	1	EPA 8260C Certifications: CTDOH,NELAC-NY10854,NELAC-NY12058,NJDEP,PADEP	04/02/2019 07:39	04/03/2019 00:34	LLJ
107-06-2	1,2-Dichloroethane	ND		ug/kg dry	2.1	4.1	1	EPA 8260C Certifications: CTDOH,NELAC-NY10854,NELAC-NY12058,NJDEP,PADEP	04/02/2019 07:39	04/03/2019 00:34	LLJ
78-87-5	1,2-Dichloropropane	ND		ug/kg dry	2.1	4.1	1	EPA 8260C Certifications: CTDOH,NELAC-NY10854,NELAC-NY12058,NJDEP,PADEP	04/02/2019 07:39	04/03/2019 00:34	LLJ
108-67-8	1,3,5-Trimethylbenzene	ND		ug/kg dry	2.1	4.1	1	EPA 8260C Certifications: CTDOH,NELAC-NY10854,NELAC-NY12058,NJDEP,PADEP	04/02/2019 07:39	04/03/2019 00:34	LLJ
541-73-1	1,3-Dichlorobenzene	ND		ug/kg dry	2.1	4.1	1	EPA 8260C Certifications: CTDOH,NELAC-NY10854,NELAC-NY12058,NJDEP,PADEP	04/02/2019 07:39	04/03/2019 00:34	LLJ
106-46-7	1,4-Dichlorobenzene	ND		ug/kg dry	2.1	4.1	1	EPA 8260C Certifications: CTDOH,NELAC-NY10854,NELAC-NY12058,NJDEP,PADEP	04/02/2019 07:39	04/03/2019 00:34	LLJ
123-91-1	1,4-Dioxane	ND		ug/kg dry	41	83	1	EPA 8260C Certifications: NELAC-NY10854,NELAC-NY12058,NJDEP,PADEP	04/02/2019 07:39	04/03/2019 00:34	LLJ
78-93-3	2-Butanone	ND		ug/kg dry	2.1	4.1	1	EPA 8260C Certifications: CTDOH,NELAC-NY10854,NELAC-NY12058,NJDEP,PADEP	04/02/2019 07:39	04/03/2019 00:34	LLJ
591-78-6	2-Hexanone	ND		ug/kg dry	2.1	4.1	1	EPA 8260C Certifications: CTDOH,NELAC-NY10854,NELAC-NY12058,NJDEP,PADEP	04/02/2019 07:39	04/03/2019 00:34	LLJ
108-10-1	4-Methyl-2-pentanone	ND		ug/kg dry	2.1	4.1	1	EPA 8260C Certifications: CTDOH,NELAC-NY10854,NELAC-NY12058,NJDEP,PADEP	04/02/2019 07:39	04/03/2019 00:34	LLJ
67-64-1	Acetone	ND		ug/kg dry	4.1	8.3	1	EPA 8260C Certifications: CTDOH,NELAC-NY10854,NELAC-NY12058,NJDEP,PADEP	04/02/2019 07:39	04/03/2019 00:34	LLJ



### Sample Information

**Client Sample ID:** DUP-2 Grab

**York Sample ID:** 19C1272-29

York Project (SDG) No.

Client Project ID

Matrix

Collection Date/Time

Date Received

19C1272

1602600 Former Safety Kleen

Soil

March 29, 2019 7:00 am

03/29/2019

**Volatile Organics, 8260 - Comprehensive**

**Log-in Notes:**

**Sample Notes:**

Sample Prepared by Method: EPA 5035A

CAS No.	Parameter	Result	Flag	Units	Reported to LOD/MDL	LOQ	Dilution	Reference Method	Date/Time Prepared	Date/Time Analyzed	Analyst
107-02-8	Acrolein	ND		ug/kg dry	4.1	8.3	1	EPA 8260C Certifications: CTDOH,NELAC-NY10854,NELAC-NY12058,NJDEP,PADEP	04/02/2019 07:39	04/03/2019 00:34	LLJ
107-13-1	Acrylonitrile	ND		ug/kg dry	2.1	4.1	1	EPA 8260C Certifications: CTDOH,NELAC-NY10854,NELAC-NY12058,NJDEP,PADEP	04/02/2019 07:39	04/03/2019 00:34	LLJ
71-43-2	Benzene	ND		ug/kg dry	2.1	4.1	1	EPA 8260C Certifications: CTDOH,NELAC-NY10854,NELAC-NY12058,NJDEP,PADEP	04/02/2019 07:39	04/03/2019 00:34	LLJ
74-97-5	Bromochloromethane	ND		ug/kg dry	2.1	4.1	1	EPA 8260C Certifications: NELAC-NY10854,NELAC-NY12058,NJDEP,PADEP	04/02/2019 07:39	04/03/2019 00:34	LLJ
75-27-4	Bromodichloromethane	ND		ug/kg dry	2.1	4.1	1	EPA 8260C Certifications: CTDOH,NELAC-NY10854,NELAC-NY12058,NJDEP,PADEP	04/02/2019 07:39	04/03/2019 00:34	LLJ
75-25-2	Bromoform	ND		ug/kg dry	2.1	4.1	1	EPA 8260C Certifications: CTDOH,NELAC-NY10854,NELAC-NY12058,NJDEP,PADEP	04/02/2019 07:39	04/03/2019 00:34	LLJ
74-83-9	Bromomethane	ND		ug/kg dry	2.1	4.1	1	EPA 8260C Certifications: CTDOH,NELAC-NY10854,NELAC-NY12058,NJDEP,PADEP	04/02/2019 07:39	04/03/2019 00:34	LLJ
75-15-0	Carbon disulfide	ND		ug/kg dry	2.1	4.1	1	EPA 8260C Certifications: CTDOH,NELAC-NY10854,NELAC-NY12058,NJDEP,PADEP	04/02/2019 07:39	04/03/2019 00:34	LLJ
56-23-5	Carbon tetrachloride	ND		ug/kg dry	2.1	4.1	1	EPA 8260C Certifications: CTDOH,NELAC-NY10854,NELAC-NY12058,NJDEP,PADEP	04/02/2019 07:39	04/03/2019 00:34	LLJ
108-90-7	Chlorobenzene	ND		ug/kg dry	2.1	4.1	1	EPA 8260C Certifications: CTDOH,NELAC-NY10854,NELAC-NY12058,NJDEP,PADEP	04/02/2019 07:39	04/03/2019 00:34	LLJ
75-00-3	Chloroethane	ND		ug/kg dry	2.1	4.1	1	EPA 8260C Certifications: CTDOH,NELAC-NY10854,NELAC-NY12058,NJDEP,PADEP	04/02/2019 07:39	04/03/2019 00:34	LLJ
67-66-3	Chloroform	ND		ug/kg dry	2.1	4.1	1	EPA 8260C Certifications: CTDOH,NELAC-NY10854,NELAC-NY12058,NJDEP,PADEP	04/02/2019 07:39	04/03/2019 00:34	LLJ
74-87-3	Chloromethane	ND		ug/kg dry	2.1	4.1	1	EPA 8260C Certifications: CTDOH,NELAC-NY10854,NELAC-NY12058,NJDEP,PADEP	04/02/2019 07:39	04/03/2019 00:34	LLJ
156-59-2	cis-1,2-Dichloroethylene	ND		ug/kg dry	2.1	4.1	1	EPA 8260C Certifications: CTDOH,NELAC-NY10854,NELAC-NY12058,NJDEP,PADEP	04/02/2019 07:39	04/03/2019 00:34	LLJ
10061-01-5	cis-1,3-Dichloropropylene	ND		ug/kg dry	2.1	4.1	1	EPA 8260C Certifications: CTDOH,NELAC-NY10854,NELAC-NY12058,NJDEP,PADEP	04/02/2019 07:39	04/03/2019 00:34	LLJ
110-82-7	Cyclohexane	ND		ug/kg dry	2.1	4.1	1	EPA 8260C Certifications: NELAC-NY10854,NELAC-NY12058,NJDEP,PADEP	04/02/2019 07:39	04/03/2019 00:34	LLJ
124-48-1	Dibromochloromethane	ND		ug/kg dry	2.1	4.1	1	EPA 8260C Certifications: NELAC-NY10854,NELAC-NY12058,NJDEP,PADEP	04/02/2019 07:39	04/03/2019 00:34	LLJ
74-95-3	Dibromomethane	ND		ug/kg dry	2.1	4.1	1	EPA 8260C Certifications: NELAC-NY10854,NELAC-NY12058,NJDEP,PADEP	04/02/2019 07:39	04/03/2019 00:34	LLJ
75-71-8	Dichlorodifluoromethane	ND		ug/kg dry	2.1	4.1	1	EPA 8260C Certifications: NELAC-NY10854,NELAC-NY12058,NJDEP,PADEP	04/02/2019 07:39	04/03/2019 00:34	LLJ
100-41-4	Ethyl Benzene	ND		ug/kg dry	2.1	4.1	1	EPA 8260C Certifications: CTDOH,NELAC-NY10854,NELAC-NY12058,NJDEP,PADEP	04/02/2019 07:39	04/03/2019 00:34	LLJ
87-68-3	Hexachlorobutadiene	ND		ug/kg dry	2.1	4.1	1	EPA 8260C Certifications: NELAC-NY10854,NELAC-NY12058,NJDEP,PADEP	04/02/2019 07:39	04/03/2019 00:34	LLJ
98-82-8	Isopropylbenzene	ND		ug/kg dry	2.1	4.1	1	EPA 8260C Certifications: CTDOH,NELAC-NY10854,NELAC-NY12058,NJDEP,PADEP	04/02/2019 07:39	04/03/2019 00:34	LLJ
79-20-9	Methyl acetate	ND		ug/kg dry	2.1	4.1	1	EPA 8260C Certifications: NELAC-NY10854,NELAC-NY12058,NJDEP,PADEP	04/02/2019 07:39	04/03/2019 00:34	LLJ



### Sample Information

**Client Sample ID:** DUP-2 Grab

**York Sample ID:** 19C1272-29

York Project (SDG) No.

Client Project ID

Matrix

Collection Date/Time

Date Received

19C1272

1602600 Former Safety Kleen

Soil

March 29, 2019 7:00 am

03/29/2019

**Volatile Organics, 8260 - Comprehensive**

**Log-in Notes:**

**Sample Notes:**

Sample Prepared by Method: EPA 5035A

CAS No.	Parameter	Result	Flag	Units	Reported to LOD/MDL	LOQ	Dilution	Reference Method	Date/Time Prepared	Date/Time Analyzed	Analyst
1634-04-4	Methyl tert-butyl ether (MTBE)	ND		ug/kg dry	2.1	4.1	1	EPA 8260C Certifications: CTDOH,NELAC-NY10854,NELAC-NY12058,NJDEP,PADEP	04/02/2019 07:39	04/03/2019 00:34	LLJ
108-87-2	Methylcyclohexane	ND		ug/kg dry	2.1	4.1	1	EPA 8260C Certifications: NELAC-NY10854,NELAC-NY12058,NJDEP,PADEP	04/02/2019 07:39	04/03/2019 00:34	LLJ
75-09-2	Methylene chloride	ND		ug/kg dry	4.1	8.3	1	EPA 8260C Certifications: CTDOH,NELAC-NY10854,NELAC-NY12058,NJDEP,PADEP	04/02/2019 07:39	04/03/2019 00:34	LLJ
104-51-8	n-Butylbenzene	ND		ug/kg dry	2.1	4.1	1	EPA 8260C Certifications: CTDOH,NELAC-NY10854,NELAC-NY12058,NJDEP,PADEP	04/02/2019 07:39	04/03/2019 00:34	LLJ
103-65-1	n-Propylbenzene	ND		ug/kg dry	2.1	4.1	1	EPA 8260C Certifications: CTDOH,NELAC-NY10854,NELAC-NY12058,NJDEP,PADEP	04/02/2019 07:39	04/03/2019 00:34	LLJ
95-47-6	o-Xylene	ND		ug/kg dry	2.1	4.1	1	EPA 8260C Certifications: CTDOH,NELAC-NY10854,NELAC-NY12058,PADEP	04/02/2019 07:39	04/03/2019 00:34	LLJ
179601-23-1	p- & m- Xylenes	ND		ug/kg dry	4.1	8.3	1	EPA 8260C Certifications: CTDOH,NELAC-NY10854,NELAC-NY12058,PADEP	04/02/2019 07:39	04/03/2019 00:34	LLJ
99-87-6	p-Isopropyltoluene	ND		ug/kg dry	2.1	4.1	1	EPA 8260C Certifications: CTDOH,NELAC-NY10854,NELAC-NY12058,NJDEP,PADEP	04/02/2019 07:39	04/03/2019 00:34	LLJ
135-98-8	sec-Butylbenzene	ND		ug/kg dry	2.1	4.1	1	EPA 8260C Certifications: CTDOH,NELAC-NY10854,NELAC-NY12058,NJDEP,PADEP	04/02/2019 07:39	04/03/2019 00:34	LLJ
100-42-5	Styrene	ND		ug/kg dry	2.1	4.1	1	EPA 8260C Certifications: CTDOH,NELAC-NY10854,NELAC-NY12058,NJDEP,PADEP	04/02/2019 07:39	04/03/2019 00:34	LLJ
75-65-0	tert-Butyl alcohol (TBA)	ND		ug/kg dry	2.1	4.1	1	EPA 8260C Certifications: NELAC-NY10854,NELAC-NY12058,NJDEP,PADEP	04/02/2019 07:39	04/03/2019 00:34	LLJ
98-06-6	tert-Butylbenzene	ND		ug/kg dry	2.1	4.1	1	EPA 8260C Certifications: CTDOH,NELAC-NY10854,NELAC-NY12058,NJDEP,PADEP	04/02/2019 07:39	04/03/2019 00:34	LLJ
127-18-4	<b>Tetrachloroethylene</b>	<b>16</b>	CCV-E, B	ug/kg dry	2.1	4.1	1	EPA 8260C Certifications: CTDOH,NELAC-NY10854,NELAC-NY12058,NJDEP,PADEP	04/02/2019 07:39	04/03/2019 00:34	LLJ
108-88-3	Toluene	ND		ug/kg dry	2.1	4.1	1	EPA 8260C Certifications: CTDOH,NELAC-NY10854,NELAC-NY12058,NJDEP,PADEP	04/02/2019 07:39	04/03/2019 00:34	LLJ
156-60-5	trans-1,2-Dichloroethylene	ND		ug/kg dry	2.1	4.1	1	EPA 8260C Certifications: CTDOH,NELAC-NY10854,NELAC-NY12058,NJDEP,PADEP	04/02/2019 07:39	04/03/2019 00:34	LLJ
10061-02-6	trans-1,3-Dichloropropylene	ND		ug/kg dry	2.1	4.1	1	EPA 8260C Certifications: CTDOH,NELAC-NY10854,NELAC-NY12058,NJDEP,PADEP	04/02/2019 07:39	04/03/2019 00:34	LLJ
110-57-6	* trans-1,4-dichloro-2-butene	ND		ug/kg dry	2.1	4.1	1	EPA 8260C Certifications: CTDOH	04/02/2019 07:39	04/03/2019 00:34	LLJ
79-01-6	Trichloroethylene	ND		ug/kg dry	2.1	4.1	1	EPA 8260C Certifications: CTDOH,NELAC-NY10854,NELAC-NY12058,NJDEP,PADEP	04/02/2019 07:39	04/03/2019 00:34	LLJ
75-69-4	Trichlorofluoromethane	ND		ug/kg dry	2.1	4.1	1	EPA 8260C Certifications: CTDOH,NELAC-NY10854,NELAC-NY12058,NJDEP,PADEP	04/02/2019 07:39	04/03/2019 00:34	LLJ
75-01-4	Vinyl Chloride	ND		ug/kg dry	2.1	4.1	1	EPA 8260C Certifications: CTDOH,NELAC-NY10854,NELAC-NY12058,NJDEP,PADEP	04/02/2019 07:39	04/03/2019 00:34	LLJ
1330-20-7	Xylenes, Total	ND		ug/kg dry	6.2	12	1	EPA 8260C Certifications: CTDOH,NELAC-NY10854,NELAC-NY12058,NJDEP	04/02/2019 07:39	04/03/2019 00:34	LLJ

	Surrogate Recoveries	Result	Acceptance Range
17060-07-0	Surrogate: SURR: 1,2-Dichloroethane-d4	112 %	77-125
2037-26-5	Surrogate: SURR: Toluene-d8	99.2 %	85-120
460-00-4	Surrogate: SURR: p-Bromofluorobenzene	109 %	76-130



### Sample Information

**Client Sample ID:** DUP-2 Grab

**York Sample ID:** 19C1272-29

<u>York Project (SDG) No.</u> 19C1272	<u>Client Project ID</u> 1602600 Former Safety Kleen	<u>Matrix</u> Soil	<u>Collection Date/Time</u> March 29, 2019 7:00 am	<u>Date Received</u> 03/29/2019
--	---	-----------------------	---	------------------------------------

**Total Solids**

**Log-in Notes:**

**Sample Notes:**

Sample Prepared by Method: % Solids Prep

CAS No.	Parameter	Result	Flag	Units	Reported to LOQ	Dilution	Reference Method	Date/Time Prepared	Date/Time Analyzed	Analyst
solids	* % Solids	88.9		%	0.100	1	SM 2540G Certifications: CTDOH	04/04/2019 11:00	04/05/2019 13:04	AS

### Sample Information

**Client Sample ID:** PD1-SB-109 (0-4') Grab

**York Sample ID:** 19C1272-30

<u>York Project (SDG) No.</u> 19C1272	<u>Client Project ID</u> 1602600 Former Safety Kleen	<u>Matrix</u> Soil	<u>Collection Date/Time</u> March 29, 2019 10:30 am	<u>Date Received</u> 03/29/2019
--	---	-----------------------	--	------------------------------------

**Volatile Organics, 8260 - Comprehensive**

**Log-in Notes:**

**Sample Notes:**

Sample Prepared by Method: EPA 5035A

CAS No.	Parameter	Result	Flag	Units	Reported to LOD/MDL	LOQ	Dilution	Reference Method	Date/Time Prepared	Date/Time Analyzed	Analyst
630-20-6	1,1,1,2-Tetrachloroethane	ND		ug/kg dry	2.3	4.6	1	EPA 8260C Certifications: CTDOH,NELAC-NY10854,NELAC-NY12058,NJDEP,PADEP	04/02/2019 07:39	04/03/2019 01:01	LLJ
71-55-6	1,1,1-Trichloroethane	ND		ug/kg dry	2.3	4.6	1	EPA 8260C Certifications: CTDOH,NELAC-NY10854,NELAC-NY12058,NJDEP,PADEP	04/02/2019 07:39	04/03/2019 01:01	LLJ
79-34-5	1,1,2,2-Tetrachloroethane	ND		ug/kg dry	2.3	4.6	1	EPA 8260C Certifications: CTDOH,NELAC-NY10854,NELAC-NY12058,NJDEP,PADEP	04/02/2019 07:39	04/03/2019 01:01	LLJ
76-13-1	1,1,2-Trichloro-1,2,2-trifluoroethane (Freon 113)	ND		ug/kg dry	2.3	4.6	1	EPA 8260C Certifications: CTDOH,NELAC-NY10854,NELAC-NY12058,NJDEP	04/02/2019 07:39	04/03/2019 01:01	LLJ
79-00-5	1,1,2-Trichloroethane	ND		ug/kg dry	2.3	4.6	1	EPA 8260C Certifications: CTDOH,NELAC-NY10854,NELAC-NY12058,NJDEP,PADEP	04/02/2019 07:39	04/03/2019 01:01	LLJ
75-34-3	1,1-Dichloroethane	ND		ug/kg dry	2.3	4.6	1	EPA 8260C Certifications: CTDOH,NELAC-NY10854,NELAC-NY12058,NJDEP,PADEP	04/02/2019 07:39	04/03/2019 01:01	LLJ
75-35-4	1,1-Dichloroethylene	ND		ug/kg dry	2.3	4.6	1	EPA 8260C Certifications: CTDOH,NELAC-NY10854,NELAC-NY12058,NJDEP,PADEP	04/02/2019 07:39	04/03/2019 01:01	LLJ
87-61-6	1,2,3-Trichlorobenzene	ND		ug/kg dry	2.3	4.6	1	EPA 8260C Certifications: NELAC-NY10854,NELAC-NY12058,NJDEP,PADEP	04/02/2019 07:39	04/03/2019 01:01	LLJ
96-18-4	1,2,3-Trichloropropane	ND		ug/kg dry	2.3	4.6	1	EPA 8260C Certifications: NELAC-NY10854,NELAC-NY12058,NJDEP	04/02/2019 07:39	04/03/2019 01:01	LLJ
120-82-1	1,2,4-Trichlorobenzene	ND		ug/kg dry	2.3	4.6	1	EPA 8260C Certifications: NELAC-NY10854,NELAC-NY12058,NJDEP,PADEP	04/02/2019 07:39	04/03/2019 01:01	LLJ
95-63-6	1,2,4-Trimethylbenzene	ND		ug/kg dry	2.3	4.6	1	EPA 8260C Certifications: CTDOH,NELAC-NY10854,NELAC-NY12058,NJDEP,PADEP	04/02/2019 07:39	04/03/2019 01:01	LLJ
96-12-8	1,2-Dibromo-3-chloropropane	ND		ug/kg dry	2.3	4.6	1	EPA 8260C Certifications: CTDOH,NELAC-NY10854,NELAC-NY12058,NJDEP,PADEP	04/02/2019 07:39	04/03/2019 01:01	LLJ
106-93-4	1,2-Dibromoethane	ND		ug/kg dry	2.3	4.6	1	EPA 8260C Certifications: CTDOH,NELAC-NY10854,NELAC-NY12058,NJDEP,PADEP	04/02/2019 07:39	04/03/2019 01:01	LLJ
95-50-1	1,2-Dichlorobenzene	ND		ug/kg dry	2.3	4.6	1	EPA 8260C Certifications: CTDOH,NELAC-NY10854,NELAC-NY12058,NJDEP,PADEP	04/02/2019 07:39	04/03/2019 01:01	LLJ



### Sample Information

**Client Sample ID:** PD1-SB-109 (0-4') Grab

**York Sample ID:** 19C1272-30

York Project (SDG) No.

Client Project ID

Matrix

Collection Date/Time

Date Received

19C1272

1602600 Former Safety Kleen

Soil

March 29, 2019 10:30 am

03/29/2019

**Volatile Organics, 8260 - Comprehensive**

**Log-in Notes:**

**Sample Notes:**

Sample Prepared by Method: EPA 5035A

CAS No.	Parameter	Result	Flag	Units	Reported to LOD/MDL	LOQ	Dilution	Reference Method	Date/Time Prepared	Date/Time Analyzed	Analyst
107-06-2	1,2-Dichloroethane	ND		ug/kg dry	2.3	4.6	1	EPA 8260C Certifications: CTDOH,NELAC-NY10854,NELAC-NY12058,NJDEP,PADEP	04/02/2019 07:39	04/03/2019 01:01	LLJ
78-87-5	1,2-Dichloropropane	ND		ug/kg dry	2.3	4.6	1	EPA 8260C Certifications: CTDOH,NELAC-NY10854,NELAC-NY12058,NJDEP,PADEP	04/02/2019 07:39	04/03/2019 01:01	LLJ
108-67-8	1,3,5-Trimethylbenzene	ND		ug/kg dry	2.3	4.6	1	EPA 8260C Certifications: CTDOH,NELAC-NY10854,NELAC-NY12058,NJDEP,PADEP	04/02/2019 07:39	04/03/2019 01:01	LLJ
541-73-1	1,3-Dichlorobenzene	ND		ug/kg dry	2.3	4.6	1	EPA 8260C Certifications: CTDOH,NELAC-NY10854,NELAC-NY12058,NJDEP,PADEP	04/02/2019 07:39	04/03/2019 01:01	LLJ
106-46-7	1,4-Dichlorobenzene	ND		ug/kg dry	2.3	4.6	1	EPA 8260C Certifications: CTDOH,NELAC-NY10854,NELAC-NY12058,NJDEP,PADEP	04/02/2019 07:39	04/03/2019 01:01	LLJ
123-91-1	1,4-Dioxane	ND		ug/kg dry	46	91	1	EPA 8260C Certifications: NELAC-NY10854,NELAC-NY12058,NJDEP,PADEP	04/02/2019 07:39	04/03/2019 01:01	LLJ
78-93-3	2-Butanone	ND		ug/kg dry	2.3	4.6	1	EPA 8260C Certifications: CTDOH,NELAC-NY10854,NELAC-NY12058,NJDEP,PADEP	04/02/2019 07:39	04/03/2019 01:01	LLJ
591-78-6	2-Hexanone	ND		ug/kg dry	2.3	4.6	1	EPA 8260C Certifications: CTDOH,NELAC-NY10854,NELAC-NY12058,NJDEP,PADEP	04/02/2019 07:39	04/03/2019 01:01	LLJ
108-10-1	4-Methyl-2-pentanone	ND		ug/kg dry	2.3	4.6	1	EPA 8260C Certifications: CTDOH,NELAC-NY10854,NELAC-NY12058,NJDEP,PADEP	04/02/2019 07:39	04/03/2019 01:01	LLJ
67-64-1	Acetone	ND		ug/kg dry	4.6	9.1	1	EPA 8260C Certifications: CTDOH,NELAC-NY10854,NELAC-NY12058,NJDEP,PADEP	04/02/2019 07:39	04/03/2019 01:01	LLJ
107-02-8	Acrolein	ND		ug/kg dry	4.6	9.1	1	EPA 8260C Certifications: CTDOH,NELAC-NY10854,NELAC-NY12058,NJDEP,PADEP	04/02/2019 07:39	04/03/2019 01:01	LLJ
107-13-1	Acrylonitrile	ND		ug/kg dry	2.3	4.6	1	EPA 8260C Certifications: CTDOH,NELAC-NY10854,NELAC-NY12058,NJDEP,PADEP	04/02/2019 07:39	04/03/2019 01:01	LLJ
71-43-2	Benzene	ND		ug/kg dry	2.3	4.6	1	EPA 8260C Certifications: CTDOH,NELAC-NY10854,NELAC-NY12058,NJDEP,PADEP	04/02/2019 07:39	04/03/2019 01:01	LLJ
74-97-5	Bromochloromethane	ND		ug/kg dry	2.3	4.6	1	EPA 8260C Certifications: NELAC-NY10854,NELAC-NY12058,NJDEP,PADEP	04/02/2019 07:39	04/03/2019 01:01	LLJ
75-27-4	Bromodichloromethane	ND		ug/kg dry	2.3	4.6	1	EPA 8260C Certifications: CTDOH,NELAC-NY10854,NELAC-NY12058,NJDEP,PADEP	04/02/2019 07:39	04/03/2019 01:01	LLJ
75-25-2	Bromoform	ND		ug/kg dry	2.3	4.6	1	EPA 8260C Certifications: CTDOH,NELAC-NY10854,NELAC-NY12058,NJDEP,PADEP	04/02/2019 07:39	04/03/2019 01:01	LLJ
74-83-9	Bromomethane	ND		ug/kg dry	2.3	4.6	1	EPA 8260C Certifications: CTDOH,NELAC-NY10854,NELAC-NY12058,NJDEP,PADEP	04/02/2019 07:39	04/03/2019 01:01	LLJ
75-15-0	Carbon disulfide	ND		ug/kg dry	2.3	4.6	1	EPA 8260C Certifications: CTDOH,NELAC-NY10854,NELAC-NY12058,NJDEP,PADEP	04/02/2019 07:39	04/03/2019 01:01	LLJ
56-23-5	Carbon tetrachloride	ND		ug/kg dry	2.3	4.6	1	EPA 8260C Certifications: CTDOH,NELAC-NY10854,NELAC-NY12058,NJDEP,PADEP	04/02/2019 07:39	04/03/2019 01:01	LLJ
108-90-7	Chlorobenzene	ND		ug/kg dry	2.3	4.6	1	EPA 8260C Certifications: CTDOH,NELAC-NY10854,NELAC-NY12058,NJDEP,PADEP	04/02/2019 07:39	04/03/2019 01:01	LLJ
75-00-3	Chloroethane	ND		ug/kg dry	2.3	4.6	1	EPA 8260C Certifications: CTDOH,NELAC-NY10854,NELAC-NY12058,NJDEP,PADEP	04/02/2019 07:39	04/03/2019 01:01	LLJ
67-66-3	Chloroform	ND		ug/kg dry	2.3	4.6	1	EPA 8260C Certifications: CTDOH,NELAC-NY10854,NELAC-NY12058,NJDEP,PADEP	04/02/2019 07:39	04/03/2019 01:01	LLJ
74-87-3	Chloromethane	ND		ug/kg dry	2.3	4.6	1	EPA 8260C Certifications: CTDOH,NELAC-NY10854,NELAC-NY12058,NJDEP,PADEP	04/02/2019 07:39	04/03/2019 01:01	LLJ



### Sample Information

**Client Sample ID:** PD1-SB-109 (0-4') Grab

**York Sample ID:** 19C1272-30

York Project (SDG) No.

Client Project ID

Matrix

Collection Date/Time

Date Received

19C1272

1602600 Former Safety Kleen

Soil

March 29, 2019 10:30 am

03/29/2019

**Volatile Organics, 8260 - Comprehensive**

**Log-in Notes:**

**Sample Notes:**

Sample Prepared by Method: EPA 5035A

CAS No.	Parameter	Result	Flag	Units	Reported to LOD/MDL	LOQ	Dilution	Reference Method	Date/Time Prepared	Date/Time Analyzed	Analyst
156-59-2	cis-1,2-Dichloroethylene	ND		ug/kg dry	2.3	4.6	1	EPA 8260C Certifications: CTDOH,NELAC-NY10854,NELAC-NY12058,NJDEP,PADEP	04/02/2019 07:39	04/03/2019 01:01	LLJ
10061-01-5	cis-1,3-Dichloropropylene	ND		ug/kg dry	2.3	4.6	1	EPA 8260C Certifications: CTDOH,NELAC-NY10854,NELAC-NY12058,NJDEP,PADEP	04/02/2019 07:39	04/03/2019 01:01	LLJ
110-82-7	Cyclohexane	ND		ug/kg dry	2.3	4.6	1	EPA 8260C Certifications: NELAC-NY10854,NELAC-NY12058,NJDEP,PADEP	04/02/2019 07:39	04/03/2019 01:01	LLJ
124-48-1	Dibromochloromethane	ND		ug/kg dry	2.3	4.6	1	EPA 8260C Certifications: NELAC-NY10854,NELAC-NY12058,NJDEP,PADEP	04/02/2019 07:39	04/03/2019 01:01	LLJ
74-95-3	Dibromomethane	ND		ug/kg dry	2.3	4.6	1	EPA 8260C Certifications: NELAC-NY10854,NELAC-NY12058,NJDEP,PADEP	04/02/2019 07:39	04/03/2019 01:01	LLJ
75-71-8	Dichlorodifluoromethane	ND		ug/kg dry	2.3	4.6	1	EPA 8260C Certifications: NELAC-NY10854,NELAC-NY12058,NJDEP,PADEP	04/02/2019 07:39	04/03/2019 01:01	LLJ
100-41-4	Ethyl Benzene	ND		ug/kg dry	2.3	4.6	1	EPA 8260C Certifications: CTDOH,NELAC-NY10854,NELAC-NY12058,NJDEP,PADEP	04/02/2019 07:39	04/03/2019 01:01	LLJ
87-68-3	Hexachlorobutadiene	ND		ug/kg dry	2.3	4.6	1	EPA 8260C Certifications: NELAC-NY10854,NELAC-NY12058,NJDEP,PADEP	04/02/2019 07:39	04/03/2019 01:01	LLJ
98-82-8	Isopropylbenzene	ND		ug/kg dry	2.3	4.6	1	EPA 8260C Certifications: CTDOH,NELAC-NY10854,NELAC-NY12058,NJDEP,PADEP	04/02/2019 07:39	04/03/2019 01:01	LLJ
79-20-9	Methyl acetate	ND		ug/kg dry	2.3	4.6	1	EPA 8260C Certifications: NELAC-NY10854,NELAC-NY12058,NJDEP,PADEP	04/02/2019 07:39	04/03/2019 01:01	LLJ
1634-04-4	Methyl tert-butyl ether (MTBE)	ND		ug/kg dry	2.3	4.6	1	EPA 8260C Certifications: CTDOH,NELAC-NY10854,NELAC-NY12058,NJDEP,PADEP	04/02/2019 07:39	04/03/2019 01:01	LLJ
108-87-2	Methylcyclohexane	ND		ug/kg dry	2.3	4.6	1	EPA 8260C Certifications: NELAC-NY10854,NELAC-NY12058,NJDEP,PADEP	04/02/2019 07:39	04/03/2019 01:01	LLJ
75-09-2	<b>Methylene chloride</b>	<b>4.9</b>	<b>J</b>	ug/kg dry	4.6	9.1	1	EPA 8260C Certifications: CTDOH,NELAC-NY10854,NELAC-NY12058,NJDEP,PADEP	04/02/2019 07:39	04/03/2019 01:01	LLJ
104-51-8	n-Butylbenzene	ND		ug/kg dry	2.3	4.6	1	EPA 8260C Certifications: CTDOH,NELAC-NY10854,NELAC-NY12058,NJDEP,PADEP	04/02/2019 07:39	04/03/2019 01:01	LLJ
103-65-1	n-Propylbenzene	ND		ug/kg dry	2.3	4.6	1	EPA 8260C Certifications: CTDOH,NELAC-NY10854,NELAC-NY12058,NJDEP,PADEP	04/02/2019 07:39	04/03/2019 01:01	LLJ
95-47-6	o-Xylene	ND		ug/kg dry	2.3	4.6	1	EPA 8260C Certifications: CTDOH,NELAC-NY10854,NELAC-NY12058,PADEP	04/02/2019 07:39	04/03/2019 01:01	LLJ
179601-23-1	p- & m- Xylenes	ND		ug/kg dry	4.6	9.1	1	EPA 8260C Certifications: CTDOH,NELAC-NY10854,NELAC-NY12058,PADEP	04/02/2019 07:39	04/03/2019 01:01	LLJ
99-87-6	p-Isopropyltoluene	ND		ug/kg dry	2.3	4.6	1	EPA 8260C Certifications: CTDOH,NELAC-NY10854,NELAC-NY12058,NJDEP,PADEP	04/02/2019 07:39	04/03/2019 01:01	LLJ
135-98-8	sec-Butylbenzene	ND		ug/kg dry	2.3	4.6	1	EPA 8260C Certifications: CTDOH,NELAC-NY10854,NELAC-NY12058,NJDEP,PADEP	04/02/2019 07:39	04/03/2019 01:01	LLJ
100-42-5	Styrene	ND		ug/kg dry	2.3	4.6	1	EPA 8260C Certifications: CTDOH,NELAC-NY10854,NELAC-NY12058,NJDEP,PADEP	04/02/2019 07:39	04/03/2019 01:01	LLJ
75-65-0	tert-Butyl alcohol (TBA)	ND		ug/kg dry	2.3	4.6	1	EPA 8260C Certifications: NELAC-NY10854,NELAC-NY12058,NJDEP,PADEP	04/02/2019 07:39	04/03/2019 01:01	LLJ
98-06-6	tert-Butylbenzene	ND		ug/kg dry	2.3	4.6	1	EPA 8260C Certifications: CTDOH,NELAC-NY10854,NELAC-NY12058,NJDEP,PADEP	04/02/2019 07:39	04/03/2019 01:01	LLJ
127-18-4	<b>Tetrachloroethylene</b>	<b>5.1</b>	<b>CCV-E, B</b>	ug/kg dry	2.3	4.6	1	EPA 8260C Certifications: CTDOH,NELAC-NY10854,NELAC-NY12058,NJDEP,PADEP	04/02/2019 07:39	04/03/2019 01:01	LLJ



### Sample Information

**Client Sample ID:** PD1-SB-109 (0-4') Grab

**York Sample ID:** 19C1272-30

York Project (SDG) No.

Client Project ID

Matrix

Collection Date/Time

Date Received

19C1272

1602600 Former Safety Kleen

Soil

March 29, 2019 10:30 am

03/29/2019

**Volatile Organics, 8260 - Comprehensive**

**Log-in Notes:**

**Sample Notes:**

Sample Prepared by Method: EPA 5035A

CAS No.	Parameter	Result	Flag	Units	Reported to LOD/MDL	LOQ	Dilution	Reference Method	Date/Time Prepared	Date/Time Analyzed	Analyst
108-88-3	Toluene	ND		ug/kg dry	2.3	4.6	1	EPA 8260C Certifications: CTDOH,NELAC-NY10854,NELAC-NY12058,NJDEP,PADEP	04/02/2019 07:39	04/03/2019 01:01	LLJ
156-60-5	trans-1,2-Dichloroethylene	ND		ug/kg dry	2.3	4.6	1	EPA 8260C Certifications: CTDOH,NELAC-NY10854,NELAC-NY12058,NJDEP,PADEP	04/02/2019 07:39	04/03/2019 01:01	LLJ
10061-02-6	trans-1,3-Dichloropropylene	ND		ug/kg dry	2.3	4.6	1	EPA 8260C Certifications: CTDOH,NELAC-NY10854,NELAC-NY12058,NJDEP,PADEP	04/02/2019 07:39	04/03/2019 01:01	LLJ
110-57-6	* trans-1,4-dichloro-2-butene	ND		ug/kg dry	2.3	4.6	1	EPA 8260C Certifications: CTDOH	04/02/2019 07:39	04/03/2019 01:01	LLJ
79-01-6	Trichloroethylene	ND		ug/kg dry	2.3	4.6	1	EPA 8260C Certifications: CTDOH,NELAC-NY10854,NELAC-NY12058,NJDEP,PADEP	04/02/2019 07:39	04/03/2019 01:01	LLJ
75-69-4	Trichlorofluoromethane	ND		ug/kg dry	2.3	4.6	1	EPA 8260C Certifications: CTDOH,NELAC-NY10854,NELAC-NY12058,NJDEP,PADEP	04/02/2019 07:39	04/03/2019 01:01	LLJ
75-01-4	Vinyl Chloride	ND		ug/kg dry	2.3	4.6	1	EPA 8260C Certifications: CTDOH,NELAC-NY10854,NELAC-NY12058,NJDEP,PADEP	04/02/2019 07:39	04/03/2019 01:01	LLJ
1330-20-7	Xylenes, Total	ND		ug/kg dry	6.8	14	1	EPA 8260C Certifications: CTDOH,NELAC-NY10854,NELAC-NY12058,NJDEP	04/02/2019 07:39	04/03/2019 01:01	LLJ
<b>Surrogate Recoveries</b>		<b>Result</b>			<b>Acceptance Range</b>						
17060-07-0	Surrogate: SURRE: 1,2-Dichloroethane-d4	114 %			77-125						
2037-26-5	Surrogate: SURRE: Toluene-d8	99.3 %			85-120						
460-00-4	Surrogate: SURRE: p-Bromofluorobenzene	108 %			76-130						

**Total Solids**

**Log-in Notes:**

**Sample Notes:**

Sample Prepared by Method: % Solids Prep

CAS No.	Parameter	Result	Flag	Units	Reported to LOQ	Dilution	Reference Method	Date/Time Prepared	Date/Time Analyzed	Analyst
solids	* % Solids	87.6		%	0.100	1	SM 2540G Certifications: CTDOH	04/04/2019 11:00	04/05/2019 13:04	AS

### Sample Information

**Client Sample ID:** FB-2

**York Sample ID:** 19C1272-31

York Project (SDG) No.

Client Project ID

Matrix

Collection Date/Time

Date Received

19C1272

1602600 Former Safety Kleen

Water

March 29, 2019 10:31 am

03/29/2019

**Volatile Organics, 8260 - Comprehensive**

**Log-in Notes:**

**Sample Notes:**

Sample Prepared by Method: EPA 5030B

CAS No.	Parameter	Result	Flag	Units	Reported to LOD/MDL	LOQ	Dilution	Reference Method	Date/Time Prepared	Date/Time Analyzed	Analyst
630-20-6	1,1,1,2-Tetrachloroethane	ND		ug/L	0.20	0.50	1	EPA 8260C Certifications: CTDOH,NELAC-NY10854,NELAC-NY12058,NJDEP,PADEP	04/03/2019 07:00	04/04/2019 04:15	LLJ





### Sample Information

**Client Sample ID:** FB-2

**York Sample ID:** 19C1272-31

York Project (SDG) No.

Client Project ID

Matrix

Collection Date/Time

Date Received

19C1272

1602600 Former Safety Kleen

Water

March 29, 2019 10:31 am

03/29/2019

**Volatile Organics, 8260 - Comprehensive**

**Log-in Notes:**

**Sample Notes:**

Sample Prepared by Method: EPA 5030B

CAS No.	Parameter	Result	Flag	Units	Reported to LOD/MDL	LOQ	Dilution	Reference Method	Date/Time Prepared	Date/Time Analyzed	Analyst
71-55-6	1,1,1-Trichloroethane	ND		ug/L	0.20	0.50	1	EPA 8260C Certifications: CTDOH,NELAC-NY10854,NELAC-NY12058,NJDEP,PADEP	04/03/2019 07:00	04/04/2019 04:15	LLJ
79-34-5	1,1,2,2-Tetrachloroethane	ND		ug/L	0.20	0.50	1	EPA 8260C Certifications: CTDOH,NELAC-NY10854,NELAC-NY12058,NJDEP,PADEP	04/03/2019 07:00	04/04/2019 04:15	LLJ
76-13-1	1,1,2-Trichloro-1,2,2-trifluoroethane (Freon 113)	ND		ug/L	0.20	0.50	1	EPA 8260C Certifications: CTDOH,NELAC-NY10854,NELAC-NY12058,NJDEP,PADEP	04/03/2019 07:00	04/04/2019 04:15	LLJ
79-00-5	1,1,2-Trichloroethane	ND		ug/L	0.20	0.50	1	EPA 8260C Certifications: CTDOH,NELAC-NY10854,NELAC-NY12058,NJDEP,PADEP	04/03/2019 07:00	04/04/2019 04:15	LLJ
75-34-3	1,1-Dichloroethane	ND		ug/L	0.20	0.50	1	EPA 8260C Certifications: CTDOH,NELAC-NY10854,NELAC-NY12058,NJDEP,PADEP	04/03/2019 07:00	04/04/2019 04:15	LLJ
75-35-4	1,1-Dichloroethylene	ND		ug/L	0.20	0.50	1	EPA 8260C Certifications: CTDOH,NELAC-NY10854,NELAC-NY12058,NJDEP,PADEP	04/03/2019 07:00	04/04/2019 04:15	LLJ
87-61-6	1,2,3-Trichlorobenzene	ND		ug/L	0.20	0.50	1	EPA 8260C Certifications: NELAC-NY10854,NELAC-NY12058,NJDEP,PADEP	04/03/2019 07:00	04/04/2019 04:15	LLJ
96-18-4	1,2,3-Trichloropropane	ND		ug/L	0.20	0.50	1	EPA 8260C Certifications: NELAC-NY10854,NELAC-NY12058,NJDEP,PADEP	04/03/2019 07:00	04/04/2019 04:15	LLJ
120-82-1	1,2,4-Trichlorobenzene	ND		ug/L	0.20	0.50	1	EPA 8260C Certifications: NELAC-NY10854,NELAC-NY12058,NJDEP,PADEP	04/03/2019 07:00	04/04/2019 04:15	LLJ
95-63-6	1,2,4-Trimethylbenzene	ND		ug/L	0.20	0.50	1	EPA 8260C Certifications: CTDOH,NELAC-NY10854,NELAC-NY12058,NJDEP,PADEP	04/03/2019 07:00	04/04/2019 04:15	LLJ
96-12-8	1,2-Dibromo-3-chloropropane	ND		ug/L	0.20	0.50	1	EPA 8260C Certifications: CTDOH,NELAC-NY10854,NELAC-NY12058,NJDEP,PADEP	04/03/2019 07:00	04/04/2019 04:15	LLJ
106-93-4	1,2-Dibromoethane	ND		ug/L	0.20	0.50	1	EPA 8260C Certifications: CTDOH,NELAC-NY10854,NELAC-NY12058,NJDEP,PADEP	04/03/2019 07:00	04/04/2019 04:15	LLJ
95-50-1	1,2-Dichlorobenzene	ND		ug/L	0.20	0.50	1	EPA 8260C Certifications: CTDOH,NELAC-NY10854,NELAC-NY12058,NJDEP,PADEP	04/03/2019 07:00	04/04/2019 04:15	LLJ
107-06-2	1,2-Dichloroethane	ND		ug/L	0.20	0.50	1	EPA 8260C Certifications: CTDOH,NELAC-NY10854,NELAC-NY12058,NJDEP,PADEP	04/03/2019 07:00	04/04/2019 04:15	LLJ
78-87-5	1,2-Dichloropropane	ND		ug/L	0.20	0.50	1	EPA 8260C Certifications: CTDOH,NELAC-NY10854,NELAC-NY12058,NJDEP,PADEP	04/03/2019 07:00	04/04/2019 04:15	LLJ
108-67-8	1,3,5-Trimethylbenzene	ND		ug/L	0.20	0.50	1	EPA 8260C Certifications: CTDOH,NELAC-NY10854,NELAC-NY12058,NJDEP,PADEP	04/03/2019 07:00	04/04/2019 04:15	LLJ
541-73-1	1,3-Dichlorobenzene	ND		ug/L	0.20	0.50	1	EPA 8260C Certifications: CTDOH,NELAC-NY10854,NELAC-NY12058,NJDEP,PADEP	04/03/2019 07:00	04/04/2019 04:15	LLJ
106-46-7	1,4-Dichlorobenzene	ND		ug/L	0.20	0.50	1	EPA 8260C Certifications: CTDOH,NELAC-NY10854,NELAC-NY12058,NJDEP,PADEP	04/03/2019 07:00	04/04/2019 04:15	LLJ
123-91-1	1,4-Dioxane	ND		ug/L	40	40	1	EPA 8260C Certifications: NELAC-NY10854,NELAC-NY12058,NJDEP,PADEP	04/03/2019 07:00	04/04/2019 04:15	LLJ
78-93-3	2-Butanone	ND		ug/L	0.20	0.50	1	EPA 8260C Certifications: CTDOH,NELAC-NY10854,NELAC-NY12058,NJDEP,PADEP	04/03/2019 07:00	04/04/2019 04:15	LLJ
591-78-6	2-Hexanone	ND		ug/L	0.20	0.50	1	EPA 8260C Certifications: CTDOH,NELAC-NY10854,NELAC-NY12058,NJDEP,PADEP	04/03/2019 07:00	04/04/2019 04:15	LLJ
108-10-1	4-Methyl-2-pentanone	ND		ug/L	0.20	0.50	1	EPA 8260C Certifications: CTDOH,NELAC-NY10854,NELAC-NY12058,NJDEP,PADEP	04/03/2019 07:00	04/04/2019 04:15	LLJ
67-64-1	Acetone	6.8		ug/L	1.0	2.0	1	EPA 8260C Certifications: CTDOH,NELAC-NY10854,NELAC-NY12058,NJDEP,PADEP	04/03/2019 07:00	04/04/2019 04:15	LLJ



Sample Information

Client Sample ID: FB-2

York Sample ID: 19C1272-31

York Project (SDG) No.

Client Project ID

Matrix

Collection Date/Time

Date Received

19C1272

1602600 Former Safety Kleen

Water

March 29, 2019 10:31 am

03/29/2019

Volatile Organics, 8260 - Comprehensive

Log-in Notes:

Sample Notes:

Sample Prepared by Method: EPA 5030B

Table with columns: CAS No., Parameter, Result, Flag, Units, Reported to LOD/MDL, LOQ, Dilution, Reference Method, Date/Time Prepared, Date/Time Analyzed, Analyst. Contains 20 rows of chemical analysis data.



### Sample Information

**Client Sample ID:** FB-2

**York Sample ID:** 19C1272-31

York Project (SDG) No.

Client Project ID

Matrix

Collection Date/Time

Date Received

19C1272

1602600 Former Safety Kleen

Water

March 29, 2019 10:31 am

03/29/2019

**Volatile Organics, 8260 - Comprehensive**

**Log-in Notes:**

**Sample Notes:**

Sample Prepared by Method: EPA 5030B

CAS No.	Parameter	Result	Flag	Units	Reported to LOD/MDL	LOQ	Dilution	Reference Method	Date/Time Prepared	Date/Time Analyzed	Analyst
1634-04-4	Methyl tert-butyl ether (MTBE)	ND		ug/L	0.20	0.50	1	EPA 8260C Certifications: CTDOH,NELAC-NY10854,NELAC-NY12058,NJDEP,PADEP	04/03/2019 07:00	04/04/2019 04:15	LLJ
108-87-2	Methylcyclohexane	ND		ug/L	0.20	0.50	1	EPA 8260C Certifications: NELAC-NY10854,NELAC-NY12058,NJDEP,PADEP	04/03/2019 07:00	04/04/2019 04:15	LLJ
75-09-2	Methylene chloride	ND		ug/L	1.0	2.0	1	EPA 8260C Certifications: CTDOH,NELAC-NY10854,NELAC-NY12058,NJDEP,PADEP	04/03/2019 07:00	04/04/2019 04:15	LLJ
104-51-8	n-Butylbenzene	ND		ug/L	0.20	0.50	1	EPA 8260C Certifications: CTDOH,NELAC-NY10854,NELAC-NY12058,NJDEP,PADEP	04/03/2019 07:00	04/04/2019 04:15	LLJ
103-65-1	n-Propylbenzene	ND		ug/L	0.20	0.50	1	EPA 8260C Certifications: CTDOH,NELAC-NY10854,NELAC-NY12058,NJDEP,PADEP	04/03/2019 07:00	04/04/2019 04:15	LLJ
95-47-6	o-Xylene	ND		ug/L	0.20	0.50	1	EPA 8260C Certifications: CTDOH,NELAC-NY10854,NELAC-NY12058,NJDEP,PADEP	04/03/2019 07:00	04/04/2019 04:15	LLJ
179601-23-1	p- & m- Xylenes	ND		ug/L	0.50	1.0	1	EPA 8260C Certifications: CTDOH,NELAC-NY10854,NELAC-NY12058,NJDEP,PADEP	04/03/2019 07:00	04/04/2019 04:15	LLJ
99-87-6	p-Isopropyltoluene	ND		ug/L	0.20	0.50	1	EPA 8260C Certifications: CTDOH,NELAC-NY10854,NELAC-NY12058,NJDEP,PADEP	04/03/2019 07:00	04/04/2019 04:15	LLJ
135-98-8	sec-Butylbenzene	ND		ug/L	0.20	0.50	1	EPA 8260C Certifications: CTDOH,NELAC-NY10854,NELAC-NY12058,NJDEP,PADEP	04/03/2019 07:00	04/04/2019 04:15	LLJ
100-42-5	Styrene	ND		ug/L	0.20	0.50	1	EPA 8260C Certifications: CTDOH,NELAC-NY10854,NELAC-NY12058,NJDEP,PADEP	04/03/2019 07:00	04/04/2019 04:15	LLJ
75-65-0	<b>tert-Butyl alcohol (TBA)</b>	<b>3.5</b>		ug/L	0.50	1.0	1	EPA 8260C Certifications: NELAC-NY10854,NELAC-NY12058,NJDEP,PADEP	04/03/2019 07:00	04/04/2019 04:15	LLJ
98-06-6	tert-Butylbenzene	ND		ug/L	0.20	0.50	1	EPA 8260C Certifications: CTDOH,NELAC-NY10854,NELAC-NY12058,NJDEP,PADEP	04/03/2019 07:00	04/04/2019 04:15	LLJ
127-18-4	Tetrachloroethylene	ND		ug/L	0.20	0.50	1	EPA 8260C Certifications: CTDOH,NELAC-NY10854,NELAC-NY12058,NJDEP,PADEP	04/03/2019 07:00	04/04/2019 04:15	LLJ
108-88-3	<b>Toluene</b>	<b>0.32</b>	J	ug/L	0.20	0.50	1	EPA 8260C Certifications: CTDOH,NELAC-NY10854,NELAC-NY12058,NJDEP,PADEP	04/03/2019 07:00	04/04/2019 04:15	LLJ
156-60-5	trans-1,2-Dichloroethylene	ND		ug/L	0.20	0.50	1	EPA 8260C Certifications: CTDOH,NELAC-NY10854,NELAC-NY12058,NJDEP,PADEP	04/03/2019 07:00	04/04/2019 04:15	LLJ
10061-02-6	trans-1,3-Dichloropropylene	ND		ug/L	0.20	0.50	1	EPA 8260C Certifications: CTDOH,NELAC-NY10854,NELAC-NY12058,NJDEP,PADEP	04/03/2019 07:00	04/04/2019 04:15	LLJ
110-57-6	trans-1,4-dichloro-2-butene	ND		ug/L	0.20	0.50	1	EPA 8260C Certifications: CTDOH,NELAC-NY10854,NELAC-NY12058,NJDEP	04/03/2019 07:00	04/04/2019 04:15	LLJ
79-01-6	Trichloroethylene	ND		ug/L	0.20	0.50	1	EPA 8260C Certifications: CTDOH,NELAC-NY10854,NELAC-NY12058,NJDEP,PADEP	04/03/2019 07:00	04/04/2019 04:15	LLJ
75-69-4	Trichlorofluoromethane	ND		ug/L	0.20	0.50	1	EPA 8260C Certifications: CTDOH,NELAC-NY10854,NELAC-NY12058,NJDEP,PADEP	04/03/2019 07:00	04/04/2019 04:15	LLJ
75-01-4	Vinyl Chloride	ND		ug/L	0.20	0.50	1	EPA 8260C Certifications: CTDOH,NELAC-NY10854,NELAC-NY12058,NJDEP,PADEP	04/03/2019 07:00	04/04/2019 04:15	LLJ
1330-20-7	Xylenes, Total	ND		ug/L	0.60	1.5	1	EPA 8260C Certifications: CTDOH,NELAC-NY10854,NELAC-NY12058,NJDEP	04/03/2019 07:00	04/04/2019 04:15	LLJ

	Surrogate Recoveries	Result	Acceptance Range
17060-07-0	Surrogate: SURR: 1,2-Dichloroethane-d4	110 %	69-130
2037-26-5	Surrogate: SURR: Toluene-d8	105 %	81-117
460-00-4	Surrogate: SURR: p-Bromofluorobenzene	111 %	79-122



### Sample Information

**Client Sample ID:** FB-2

**York Sample ID:** 19C1272-31

<u>York Project (SDG) No.</u>	<u>Client Project ID</u>	<u>Matrix</u>	<u>Collection Date/Time</u>	<u>Date Received</u>
19C1272	1602600 Former Safety Kleen	Water	March 29, 2019 10:31 am	03/29/2019

### Sample Information

**Client Sample ID:** PD1-Composite 1 (0-8)

**York Sample ID:** 19C1272-32

<u>York Project (SDG) No.</u>	<u>Client Project ID</u>	<u>Matrix</u>	<u>Collection Date/Time</u>	<u>Date Received</u>
19C1272	1602600 Former Safety Kleen	Soil	March 29, 2019 10:30 am	03/29/2019

### Semi-Volatiles, 8270 - Comprehensive

### Log-in Notes:

### Sample Notes:

Sample Prepared by Method: EPA 3550C

CAS No.	Parameter	Result	Flag	Units	Reported to LOD/MDL	LOQ	Dilution	Reference Method	Date/Time Prepared	Date/Time Analyzed	Analyst
92-52-4	1,1-Biphenyl	ND		ug/kg dry	45.7	91.2	2	EPA 8270D Certifications: NELAC-NY10854,NJDEP,PADEP	04/04/2019 08:27	04/05/2019 19:35	SR
95-94-3	1,2,4,5-Tetrachlorobenzene	ND		ug/kg dry	91.2	182	2	EPA 8270D Certifications: NELAC-NY10854,NJDEP,PADEP	04/04/2019 08:27	04/05/2019 19:35	SR
120-82-1	1,2,4-Trichlorobenzene	ND		ug/kg dry	45.7	91.2	2	EPA 8270D Certifications: CTDOH,NELAC-NY10854,NJDEP,PADEP	04/04/2019 08:27	04/05/2019 19:35	SR
95-50-1	1,2-Dichlorobenzene	ND		ug/kg dry	45.7	91.2	2	EPA 8270D Certifications: NELAC-NY10854,PADEP	04/04/2019 08:27	04/05/2019 19:35	SR
122-66-7	1,2-Diphenylhydrazine (as Azobenzene)	ND		ug/kg dry	45.7	91.2	2	EPA 8270D Certifications: NELAC-NY10854,NJDEP,PADEP	04/04/2019 08:27	04/05/2019 19:35	SR
541-73-1	1,3-Dichlorobenzene	ND		ug/kg dry	45.7	91.2	2	EPA 8270D Certifications: NELAC-NY10854,PADEP	04/04/2019 08:27	04/05/2019 19:35	SR
106-46-7	1,4-Dichlorobenzene	ND		ug/kg dry	45.7	91.2	2	EPA 8270D Certifications: NELAC-NY10854,PADEP	04/04/2019 08:27	04/05/2019 19:35	SR
58-90-2	2,3,4,6-Tetrachlorophenol	ND		ug/kg dry	91.2	182	2	EPA 8270D Certifications: NELAC-NY10854,NJDEP,PADEP	04/04/2019 08:27	04/05/2019 19:35	SR
95-95-4	2,4,5-Trichlorophenol	ND		ug/kg dry	45.7	91.2	2	EPA 8270D Certifications: CTDOH,NELAC-NY10854,NJDEP,PADEP	04/04/2019 08:27	04/05/2019 19:35	SR
88-06-2	2,4,6-Trichlorophenol	ND		ug/kg dry	45.7	91.2	2	EPA 8270D Certifications: CTDOH,NELAC-NY10854,NJDEP,PADEP	04/04/2019 08:27	04/05/2019 19:35	SR
120-83-2	2,4-Dichlorophenol	ND		ug/kg dry	45.7	91.2	2	EPA 8270D Certifications: CTDOH,NELAC-NY10854,NJDEP,PADEP	04/04/2019 08:27	04/05/2019 19:35	SR
105-67-9	2,4-Dimethylphenol	ND		ug/kg dry	45.7	91.2	2	EPA 8270D Certifications: CTDOH,NELAC-NY10854,NJDEP,PADEP	04/04/2019 08:27	04/05/2019 19:35	SR
51-28-5	2,4-Dinitrophenol	ND		ug/kg dry	91.2	182	2	EPA 8270D Certifications: CTDOH,NELAC-NY10854,NJDEP,PADEP	04/04/2019 08:27	04/05/2019 19:35	SR
121-14-2	2,4-Dinitrotoluene	ND		ug/kg dry	45.7	91.2	2	EPA 8270D Certifications: CTDOH,NELAC-NY10854,NJDEP,PADEP	04/04/2019 08:27	04/05/2019 19:35	SR
606-20-2	2,6-Dinitrotoluene	ND		ug/kg dry	45.7	91.2	2	EPA 8270D Certifications: CTDOH,NELAC-NY10854,NJDEP,PADEP	04/04/2019 08:27	04/05/2019 19:35	SR
91-58-7	2-Chloronaphthalene	ND		ug/kg dry	45.7	91.2	2	EPA 8270D Certifications: CTDOH,NELAC-NY10854,NJDEP,PADEP	04/04/2019 08:27	04/05/2019 19:35	SR
95-57-8	2-Chlorophenol	ND		ug/kg dry	45.7	91.2	2	EPA 8270D Certifications: CTDOH,NELAC-NY10854,NJDEP,PADEP	04/04/2019 08:27	04/05/2019 19:35	SR
91-57-6	2-Methylnaphthalene	ND		ug/kg dry	45.7	91.2	2	EPA 8270D Certifications: CTDOH,NELAC-NY10854,NJDEP,PADEP	04/04/2019 08:27	04/05/2019 19:35	SR



### Sample Information

**Client Sample ID:** PD1-Composite 1 (0-8)

**York Sample ID:** 19C1272-32

York Project (SDG) No.

Client Project ID

Matrix

Collection Date/Time

Date Received

19C1272

1602600 Former Safety Kleen

Soil

March 29, 2019 10:30 am

03/29/2019

**Semi-Volatiles, 8270 - Comprehensive**

**Log-in Notes:**

**Sample Notes:**

Sample Prepared by Method: EPA 3550C

CAS No.	Parameter	Result	Flag	Units	Reported to LOD/MDL	LOQ	Dilution	Reference Method	Date/Time Prepared	Date/Time Analyzed	Analyst
95-48-7	2-Methylphenol	ND		ug/kg dry	45.7	91.2	2	EPA 8270D Certifications: CTDOH,NELAC-NY10854,NJDEP,PADEP	04/04/2019 08:27	04/05/2019 19:35	SR
88-74-4	2-Nitroaniline	ND		ug/kg dry	91.2	182	2	EPA 8270D Certifications: CTDOH,NELAC-NY10854,NJDEP,PADEP	04/04/2019 08:27	04/05/2019 19:35	SR
88-75-5	2-Nitrophenol	ND		ug/kg dry	45.7	91.2	2	EPA 8270D Certifications: CTDOH,NELAC-NY10854,NJDEP,PADEP	04/04/2019 08:27	04/05/2019 19:35	SR
65794-96-9	3- & 4-Methylphenols	ND		ug/kg dry	45.7	91.2	2	EPA 8270D Certifications: CTDOH,NELAC-NY10854,NJDEP,PADEP	04/04/2019 08:27	04/05/2019 19:35	SR
91-94-1	3,3-Dichlorobenzidine	ND		ug/kg dry	45.7	91.2	2	EPA 8270D Certifications: NELAC-NY10854,NJDEP,PADEP	04/04/2019 08:27	04/05/2019 19:35	SR
99-09-2	3-Nitroaniline	ND		ug/kg dry	91.2	182	2	EPA 8270D Certifications: CTDOH,NELAC-NY10854,NJDEP,PADEP	04/04/2019 08:27	04/05/2019 19:35	SR
534-52-1	4,6-Dinitro-2-methylphenol	ND		ug/kg dry	91.2	182	2	EPA 8270D Certifications: CTDOH,NELAC-NY10854,NJDEP,PADEP	04/04/2019 08:27	04/05/2019 19:35	SR
101-55-3	4-Bromophenyl phenyl ether	ND		ug/kg dry	45.7	91.2	2	EPA 8270D Certifications: CTDOH,NELAC-NY10854,NJDEP,PADEP	04/04/2019 08:27	04/05/2019 19:35	SR
59-50-7	4-Chloro-3-methylphenol	ND		ug/kg dry	45.7	91.2	2	EPA 8270D Certifications: CTDOH,NELAC-NY10854,NJDEP,PADEP	04/04/2019 08:27	04/05/2019 19:35	SR
106-47-8	4-Chloroaniline	ND		ug/kg dry	45.7	91.2	2	EPA 8270D Certifications: CTDOH,NELAC-NY10854,NJDEP,PADEP	04/04/2019 08:27	04/05/2019 19:35	SR
7005-72-3	4-Chlorophenyl phenyl ether	ND		ug/kg dry	45.7	91.2	2	EPA 8270D Certifications: CTDOH,NELAC-NY10854,NJDEP,PADEP	04/04/2019 08:27	04/05/2019 19:35	SR
100-01-6	4-Nitroaniline	ND		ug/kg dry	91.2	182	2	EPA 8270D Certifications: CTDOH,NELAC-NY10854,NJDEP,PADEP	04/04/2019 08:27	04/05/2019 19:35	SR
100-02-7	4-Nitrophenol	ND		ug/kg dry	91.2	182	2	EPA 8270D Certifications: CTDOH,NELAC-NY10854,NJDEP,PADEP	04/04/2019 08:27	04/05/2019 19:35	SR
83-32-9	Acenaphthene	ND		ug/kg dry	45.7	91.2	2	EPA 8270D Certifications: CTDOH,NELAC-NY10854,NJDEP,PADEP	04/04/2019 08:27	04/05/2019 19:35	SR
208-96-8	Acenaphthylene	ND		ug/kg dry	45.7	91.2	2	EPA 8270D Certifications: CTDOH,NELAC-NY10854,NJDEP,PADEP	04/04/2019 08:27	04/05/2019 19:35	SR
98-86-2	Acetophenone	ND		ug/kg dry	45.7	91.2	2	EPA 8270D Certifications: NELAC-NY10854,NJDEP,PADEP	04/04/2019 08:27	04/05/2019 19:35	SR
62-53-3	Aniline	ND		ug/kg dry	183	365	2	EPA 8270D Certifications: NELAC-NY10854,NJDEP,PADEP	04/04/2019 08:27	04/05/2019 19:35	SR
120-12-7	Anthracene	ND		ug/kg dry	45.7	91.2	2	EPA 8270D Certifications: CTDOH,NELAC-NY10854,NJDEP,PADEP	04/04/2019 08:27	04/05/2019 19:35	SR
1912-24-9	Atrazine	ND		ug/kg dry	45.7	91.2	2	EPA 8270D Certifications: NELAC-NY10854,NJDEP,PADEP	04/04/2019 08:27	04/05/2019 19:35	SR
100-52-7	Benzaldehyde	ND		ug/kg dry	45.7	91.2	2	EPA 8270D Certifications: NELAC-NY10854,NJDEP,PADEP	04/04/2019 08:27	04/05/2019 19:35	SR
92-87-5	Benzidine	ND		ug/kg dry	183	365	2	EPA 8270D Certifications: CTDOH,NELAC-NY10854,PADEP	04/04/2019 08:27	04/05/2019 19:35	SR
56-55-3	Benzo(a)anthracene	ND		ug/kg dry	45.7	91.2	2	EPA 8270D Certifications: CTDOH,NELAC-NY10854,NJDEP,PADEP	04/04/2019 08:27	04/05/2019 19:35	SR
50-32-8	Benzo(a)pyrene	ND		ug/kg dry	45.7	91.2	2	EPA 8270D Certifications: CTDOH,NELAC-NY10854,NJDEP,PADEP	04/04/2019 08:27	04/05/2019 19:35	SR



### Sample Information

**Client Sample ID:** PD1-Composite 1 (0-8)

**York Sample ID:** 19C1272-32

York Project (SDG) No.

Client Project ID

Matrix

Collection Date/Time

Date Received

19C1272

1602600 Former Safety Kleen

Soil

March 29, 2019 10:30 am

03/29/2019

**Semi-Volatiles, 8270 - Comprehensive**

**Log-in Notes:**

**Sample Notes:**

Sample Prepared by Method: EPA 3550C

CAS No.	Parameter	Result	Flag	Units	Reported to LOD/MDL	LOQ	Dilution	Reference Method	Date/Time Prepared	Date/Time Analyzed	Analyst
205-99-2	Benzo(b)fluoranthene	ND		ug/kg dry	45.7	91.2	2	EPA 8270D Certifications: CTDOH,NELAC-NY10854,NJDEP,PADEP	04/04/2019 08:27	04/05/2019 19:35	SR
191-24-2	Benzo(g,h,i)perylene	ND		ug/kg dry	45.7	91.2	2	EPA 8270D Certifications: CTDOH,NELAC-NY10854,NJDEP,PADEP	04/04/2019 08:27	04/05/2019 19:35	SR
207-08-9	Benzo(k)fluoranthene	ND		ug/kg dry	45.7	91.2	2	EPA 8270D Certifications: CTDOH,NELAC-NY10854,NJDEP,PADEP	04/04/2019 08:27	04/05/2019 19:35	SR
65-85-0	Benzoic acid	ND		ug/kg dry	45.7	91.2	2	EPA 8270D Certifications: NELAC-NY10854,NJDEP,PADEP	04/04/2019 08:27	04/05/2019 19:35	SR
100-51-6	Benzyl alcohol	ND		ug/kg dry	45.7	91.2	2	EPA 8270D Certifications: NELAC-NY10854,NJDEP,PADEP	04/04/2019 08:27	04/05/2019 19:35	SR
85-68-7	Benzyl butyl phthalate	ND		ug/kg dry	45.7	91.2	2	EPA 8270D Certifications: CTDOH,NELAC-NY10854,NJDEP,PADEP	04/04/2019 08:27	04/05/2019 19:35	SR
111-91-1	Bis(2-chloroethoxy)methane	ND		ug/kg dry	45.7	91.2	2	EPA 8270D Certifications: CTDOH,NELAC-NY10854,NJDEP,PADEP	04/04/2019 08:27	04/05/2019 19:35	SR
111-44-4	Bis(2-chloroethyl)ether	ND		ug/kg dry	45.7	91.2	2	EPA 8270D Certifications: CTDOH,NELAC-NY10854,NJDEP,PADEP	04/04/2019 08:27	04/05/2019 19:35	SR
108-60-1	Bis(2-chloroisopropyl)ether	ND		ug/kg dry	45.7	91.2	2	EPA 8270D Certifications: CTDOH,NELAC-NY10854,NJDEP,PADEP	04/04/2019 08:27	04/05/2019 19:35	SR
117-81-7	<b>Bis(2-ethylhexyl)phthalate</b>	<b>151</b>		ug/kg dry	45.7	91.2	2	EPA 8270D Certifications: CTDOH,NELAC-NY10854,NJDEP,PADEP	04/04/2019 08:27	04/05/2019 19:35	SR
105-60-2	Caprolactam	ND		ug/kg dry	91.2	182	2	EPA 8270D Certifications: NELAC-NY10854,NJDEP,PADEP	04/04/2019 08:27	04/05/2019 19:35	SR
86-74-8	Carbazole	ND		ug/kg dry	45.7	91.2	2	EPA 8270D Certifications: CTDOH,NELAC-NY10854,NJDEP,PADEP	04/04/2019 08:27	04/05/2019 19:35	SR
218-01-9	Chrysene	ND		ug/kg dry	45.7	91.2	2	EPA 8270D Certifications: CTDOH,NELAC-NY10854,NJDEP,PADEP	04/04/2019 08:27	04/05/2019 19:35	SR
53-70-3	Dibenzo(a,h)anthracene	ND		ug/kg dry	45.7	91.2	2	EPA 8270D Certifications: CTDOH,NELAC-NY10854,NJDEP,PADEP	04/04/2019 08:27	04/05/2019 19:35	SR
132-64-9	Dibenzofuran	ND		ug/kg dry	45.7	91.2	2	EPA 8270D Certifications: CTDOH,NELAC-NY10854,NJDEP,PADEP	04/04/2019 08:27	04/05/2019 19:35	SR
84-66-2	Diethyl phthalate	ND		ug/kg dry	45.7	91.2	2	EPA 8270D Certifications: CTDOH,NELAC-NY10854,NJDEP,PADEP	04/04/2019 08:27	04/05/2019 19:35	SR
131-11-3	Dimethyl phthalate	ND		ug/kg dry	45.7	91.2	2	EPA 8270D Certifications: CTDOH,NELAC-NY10854,NJDEP,PADEP	04/04/2019 08:27	04/05/2019 19:35	SR
84-74-2	Di-n-butyl phthalate	ND		ug/kg dry	45.7	91.2	2	EPA 8270D Certifications: CTDOH,NELAC-NY10854,NJDEP,PADEP	04/04/2019 08:27	04/05/2019 19:35	SR
117-84-0	Di-n-octyl phthalate	ND		ug/kg dry	45.7	91.2	2	EPA 8270D Certifications: CTDOH,NELAC-NY10854,NJDEP,PADEP	04/04/2019 08:27	04/05/2019 19:35	SR
206-44-0	Fluoranthene	ND		ug/kg dry	45.7	91.2	2	EPA 8270D Certifications: CTDOH,NELAC-NY10854,NJDEP,PADEP	04/04/2019 08:27	04/05/2019 19:35	SR
86-73-7	Fluorene	ND		ug/kg dry	45.7	91.2	2	EPA 8270D Certifications: NELAC-NY10854,NJDEP,PADEP	04/04/2019 08:27	04/05/2019 19:35	SR
118-74-1	Hexachlorobenzene	ND		ug/kg dry	45.7	91.2	2	EPA 8270D Certifications: CTDOH,NELAC-NY10854,NJDEP,PADEP	04/04/2019 08:27	04/05/2019 19:35	SR
87-68-3	Hexachlorobutadiene	ND		ug/kg dry	45.7	91.2	2	EPA 8270D Certifications: CTDOH,NELAC-NY10854,NJDEP,PADEP	04/04/2019 08:27	04/05/2019 19:35	SR



### Sample Information

**Client Sample ID:** PD1-Composite 1 (0-8)

**York Sample ID:** 19C1272-32

York Project (SDG) No.

Client Project ID

Matrix

Collection Date/Time

Date Received

19C1272

1602600 Former Safety Kleen

Soil

March 29, 2019 10:30 am

03/29/2019

**Semi-Volatiles, 8270 - Comprehensive**

**Log-in Notes:**

**Sample Notes:**

Sample Prepared by Method: EPA 3550C

CAS No.	Parameter	Result	Flag	Units	Reported to LOD/MDL	LOQ	Dilution	Reference Method	Date/Time Prepared	Date/Time Analyzed	Analyst
77-47-4	Hexachlorocyclopentadiene	ND		ug/kg dry	45.7	91.2	2	EPA 8270D Certifications: CTDOH,NELAC-NY10854,NJDEP,PADEP	04/04/2019 08:27	04/05/2019 19:35	SR
67-72-1	Hexachloroethane	ND		ug/kg dry	45.7	91.2	2	EPA 8270D Certifications: CTDOH,NELAC-NY10854,NJDEP,PADEP	04/04/2019 08:27	04/05/2019 19:35	SR
193-39-5	Indeno(1,2,3-cd)pyrene	ND		ug/kg dry	45.7	91.2	2	EPA 8270D Certifications: CTDOH,NELAC-NY10854,NJDEP,PADEP	04/04/2019 08:27	04/05/2019 19:35	SR
78-59-1	Isophorone	ND		ug/kg dry	45.7	91.2	2	EPA 8270D Certifications: CTDOH,NELAC-NY10854,NJDEP,PADEP	04/04/2019 08:27	04/05/2019 19:35	SR
91-20-3	Naphthalene	ND		ug/kg dry	45.7	91.2	2	EPA 8270D Certifications: CTDOH,NELAC-NY10854,NJDEP,PADEP	04/04/2019 08:27	04/05/2019 19:35	SR
98-95-3	Nitrobenzene	ND		ug/kg dry	45.7	91.2	2	EPA 8270D Certifications: CTDOH,NELAC-NY10854,NJDEP,PADEP	04/04/2019 08:27	04/05/2019 19:35	SR
62-75-9	N-Nitrosodimethylamine	ND		ug/kg dry	45.7	91.2	2	EPA 8270D Certifications: CTDOH,NELAC-NY10854,NJDEP,PADEP	04/04/2019 08:27	04/05/2019 19:35	SR
621-64-7	N-nitroso-di-n-propylamine	ND		ug/kg dry	45.7	91.2	2	EPA 8270D Certifications: CTDOH,NELAC-NY10854,NJDEP,PADEP	04/04/2019 08:27	04/05/2019 19:35	SR
86-30-6	N-Nitrosodiphenylamine	ND		ug/kg dry	45.7	91.2	2	EPA 8270D Certifications: CTDOH,NELAC-NY10854,NJDEP,PADEP	04/04/2019 08:27	04/05/2019 19:35	SR
87-86-5	Pentachlorophenol	ND		ug/kg dry	45.7	91.2	2	EPA 8270D Certifications: CTDOH,NELAC-NY10854,NJDEP,PADEP	04/04/2019 08:27	04/05/2019 19:35	SR
85-01-8	Phenanthrene	ND		ug/kg dry	45.7	91.2	2	EPA 8270D Certifications: CTDOH,NELAC-NY10854,NJDEP,PADEP	04/04/2019 08:27	04/05/2019 19:35	SR
108-95-2	Phenol	ND		ug/kg dry	45.7	91.2	2	EPA 8270D Certifications: CTDOH,NELAC-NY10854,NJDEP,PADEP	04/04/2019 08:27	04/05/2019 19:35	SR
129-00-0	Pyrene	ND		ug/kg dry	45.7	91.2	2	EPA 8270D Certifications: CTDOH,NELAC-NY10854,NJDEP,PADEP	04/04/2019 08:27	04/05/2019 19:35	SR

**Surrogate Recoveries**

**Result**

**Acceptance Range**

367-12-4	Surrogate: SURR: 2-Fluorophenol	71.8 %	20-108
4165-62-2	Surrogate: SURR: Phenol-d5	62.6 %	23-114
4165-60-0	Surrogate: SURR: Nitrobenzene-d5	78.1 %	22-108
321-60-8	Surrogate: SURR: 2-Fluorobiphenyl	76.7 %	21-113
118-79-6	Surrogate: SURR: 2,4,6-Tribromophenol	82.9 %	19-110
1718-51-0	Surrogate: SURR: Terphenyl-d14	92.6 %	24-116

**Semi-Volatiles, TCLP RCRA Target List**

**Log-in Notes:**

**Sample Notes:**

Sample Prepared by Method: EPA 3510C/1311

CAS No.	Parameter	Result	Flag	Units	Reported to LOD/MDL	LOQ	Dilution	Reference Method	Date/Time Prepared	Date/Time Analyzed	Analyst
106-46-7	1,4-Dichlorobenzene	ND		ug/L	5.00	10.0	1	EPA 8270D/1311 Certifications: NELAC-NY10854,PADEP	04/02/2019 15:02	04/03/2019 16:03	OW
95-95-4	2,4,5-Trichlorophenol	ND		ug/L	5.00	10.0	1	EPA 8270D/1311 Certifications: CTDOH,NELAC-NY10854,NJDEP,PADEP	04/02/2019 15:02	04/03/2019 16:03	OW
88-06-2	2,4,6-Trichlorophenol	ND		ug/L	5.00	10.0	1	EPA 8270D/1311 Certifications: CTDOH,NELAC-NY10854,NJDEP,PADEP	04/02/2019 15:02	04/03/2019 16:03	OW
121-14-2	2,4-Dinitrotoluene	ND		ug/L	5.00	10.0	1	EPA 8270D/1311 Certifications: CTDOH,NELAC-NY10854,NJDEP,PADEP	04/02/2019 15:02	04/03/2019 16:03	OW



### Sample Information

**Client Sample ID:** PD1-Composite 1 (0-8)

**York Sample ID:** 19C1272-32

York Project (SDG) No.

Client Project ID

Matrix

Collection Date/Time

Date Received

19C1272

1602600 Former Safety Kleen

Soil

March 29, 2019 10:30 am

03/29/2019

**Semi-Volatiles, TCLP RCRA Target List**

**Log-in Notes:**

**Sample Notes:**

Sample Prepared by Method: EPA 3510C/1311

CAS No.	Parameter	Result	Flag	Units	Reported to LOD/MDL	LOQ	Dilution	Reference Method	Date/Time Prepared	Date/Time Analyzed	Analyst
95-48-7	2-Methylphenol	ND		ug/L	5.00	10.0	1	EPA 8270D/1311 Certifications: CTDOH,NELAC-NY10854,NJDEP,PADEP	04/02/2019 15:02	04/03/2019 16:03	OW
65794-96-9	3- & 4-Methylphenols	ND		ug/L	5.00	10.0	1	EPA 8270D/1311 Certifications: CTDOH,NELAC-NY10854,NJDEP,PADEP	04/02/2019 15:02	04/03/2019 16:03	OW
1319-77-3	Cresols, total	ND		ug/L	20.0	30.0	1	EPA 8270D/1311 Certifications: CTDOH,NELAC-NY10854	04/02/2019 15:02	04/03/2019 16:03	OW
118-74-1	Hexachlorobenzene	ND		ug/L	5.00	10.0	1	EPA 8270D/1311 Certifications: CTDOH,NELAC-NY10854,NJDEP,PADEP	04/02/2019 15:02	04/03/2019 16:03	OW
87-68-3	Hexachlorobutadiene	ND		ug/L	5.00	10.0	1	EPA 8270D/1311 Certifications: CTDOH,NELAC-NY10854,NJDEP,PADEP	04/02/2019 15:02	04/03/2019 16:03	OW
67-72-1	Hexachloroethane	ND		ug/L	2.50	5.00	1	EPA 8270D/1311 Certifications: CTDOH,NELAC-NY10854,NJDEP,PADEP	04/02/2019 15:02	04/03/2019 16:03	OW
98-95-3	Nitrobenzene	ND		ug/L	5.00	10.0	1	EPA 8270D/1311 Certifications: CTDOH,NELAC-NY10854,NJDEP,PADEP	04/02/2019 15:02	04/03/2019 16:03	OW
87-86-5	Pentachlorophenol	ND		ug/L	5.00	10.0	1	EPA 8270D/1311 Certifications: CTDOH,NELAC-NY10854,NJDEP,PADEP	04/02/2019 15:02	04/03/2019 16:03	OW
110-86-1	Pyridine	ND		ug/L	5.00	10.0	1	EPA 8270D/1311 Certifications: CTDOH,NELAC-NY10854,NJDEP,PADEP	04/02/2019 15:02	04/03/2019 16:03	OW
<b>Surrogate Recoveries</b>		<b>Result</b>	<b>Acceptance Range</b>								
367-12-4	Surrogate: SURR: 2-Fluorophenol	44.6 %	10-90.9								
4165-62-2	Surrogate: SURR: Phenol-d5	31.2 %	10-69.2								
4165-60-0	Surrogate: SURR: Nitrobenzene-d5	64.1 %	19.2-141								
321-60-8	Surrogate: SURR: 2-Fluorobiphenyl	76.9 %	24.8-127								
118-79-6	Surrogate: SURR: 2,4,6-Tribromophenol	76.5 %	23-163								
1718-51-0	Surrogate: SURR: Terphenyl-d14	88.3 %	25.8-110								

**PEST, TCLP RCRA List**

**Log-in Notes:**

**Sample Notes:**

Sample Prepared by Method: EPA 3510C/1311

CAS No.	Parameter	Result	Flag	Units	Reported to LOD/MDL	LOQ	Dilution	Reference Method	Date/Time Prepared	Date/Time Analyzed	Analyst
72-20-8	Endrin	ND		ug/L	0.0444	0.0444	1	EPA 8081B/1311 Certifications: CTDOH,NELAC-NY10854,NJDEP,PADEP	04/02/2019 14:50	04/03/2019 10:30	CM
58-89-9	gamma-BHC (Lindane)	ND		ug/L	0.0444	0.0444	1	EPA 8081B/1311 Certifications: CTDOH,NELAC-NY10854,NJDEP,PADEP	04/02/2019 14:50	04/03/2019 10:30	CM
76-44-8	Heptachlor	ND		ug/L	0.0444	0.0444	1	EPA 8081B/1311 Certifications: CTDOH,NELAC-NY10854,NJDEP,PADEP	04/02/2019 14:50	04/03/2019 10:30	CM
1024-57-3	Heptachlor epoxide	ND		ug/L	0.0444	0.0444	1	EPA 8081B/1311 Certifications: CTDOH,NELAC-NY10854,NJDEP,PADEP	04/02/2019 14:50	04/03/2019 10:30	CM
72-43-5	Methoxychlor	ND		ug/L	0.0444	0.0444	1	EPA 8081B/1311 Certifications: CTDOH,NELAC-NY10854,NJDEP,PADEP	04/02/2019 14:50	04/03/2019 10:30	CM
8001-35-2	Toxaphene	ND		ug/L	1.11	1.11	1	EPA 8081B/1311 Certifications: CTDOH,NELAC-NY10854,NJDEP,PADEP	04/02/2019 14:50	04/03/2019 10:30	CM
<b>Surrogate Recoveries</b>		<b>Result</b>	<b>Acceptance Range</b>								
2051-24-3	Surrogate: Decachlorobiphenyl	51.6 %	30-150								





### Sample Information

**Client Sample ID:** PD1-Composite 1 (0-8)

**York Sample ID:** 19C1272-32

York Project (SDG) No.

Client Project ID

Matrix

Collection Date/Time

Date Received

19C1272

1602600 Former Safety Kleen

Soil

March 29, 2019 10:30 am

03/29/2019

**PEST, TCLP RCRA List**

Log-in Notes:

Sample Notes:

Sample Prepared by Method: EPA 3510C/1311

CAS No.	Parameter	Result	Flag	Units	Reported to LOD/MDL	LOQ	Dilution	Reference Method	Date/Time Prepared	Date/Time Analyzed	Analyst
877-09-8	Surrogate: Tetrachloro-m-xylene	53.0 %			30-150						

**Polychlorinated Biphenyls (PCB)**

Log-in Notes:

Sample Notes:

Sample Prepared by Method: EPA 3550C

CAS No.	Parameter	Result	Flag	Units	Reported to LOQ	Dilution	Reference Method	Date/Time Prepared	Date/Time Analyzed	Analyst
12674-11-2	Aroclor 1016	ND		mg/kg dry	0.0185	1	EPA 8082A Certifications: NELAC-NY10854,CTDOH,NJDEP,PADEP	04/04/2019 08:34	04/05/2019 03:09	SR
11104-28-2	Aroclor 1221	ND		mg/kg dry	0.0185	1	EPA 8082A Certifications: NELAC-NY10854,CTDOH,NJDEP,PADEP	04/04/2019 08:34	04/05/2019 03:09	SR
11141-16-5	Aroclor 1232	ND		mg/kg dry	0.0185	1	EPA 8082A Certifications: NELAC-NY10854,CTDOH,NJDEP,PADEP	04/04/2019 08:34	04/05/2019 03:09	SR
53469-21-9	Aroclor 1242	ND		mg/kg dry	0.0185	1	EPA 8082A Certifications: NELAC-NY10854,CTDOH,NJDEP,PADEP	04/04/2019 08:34	04/05/2019 03:09	SR
12672-29-6	Aroclor 1248	ND		mg/kg dry	0.0185	1	EPA 8082A Certifications: NELAC-NY10854,CTDOH,NJDEP,PADEP	04/04/2019 08:34	04/05/2019 03:09	SR
11097-69-1	Aroclor 1254	ND		mg/kg dry	0.0185	1	EPA 8082A Certifications: NELAC-NY10854,CTDOH,NJDEP,PADEP	04/04/2019 08:34	04/05/2019 03:09	SR
11096-82-5	Aroclor 1260	ND		mg/kg dry	0.0185	1	EPA 8082A Certifications: NELAC-NY10854,CTDOH,NJDEP,PADEP	04/04/2019 08:34	04/05/2019 03:09	SR
1336-36-3	* Total PCBs	ND		mg/kg dry	0.0185	1	EPA 8082A Certifications:	04/04/2019 08:34	04/05/2019 03:09	SR

**Surrogate Recoveries**

**Result**

**Acceptance Range**

877-09-8	Surrogate: Tetrachloro-m-xylene	74.5 %	30-140
2051-24-3	Surrogate: Decachlorobiphenyl	67.5 %	30-140

**NJDEP EPH (Cat. 2 Non-Fractionated)**

Log-in Notes:

Sample Notes:

Sample Prepared by Method: EPA 3545A

CAS No.	Parameter	Result	Flag	Units	Reported to LOQ	Dilution	Reference Method	Date/Time Prepared	Date/Time Analyzed	Analyst
	* Total EPH	60.3		mg/kg dry	54.5	1	NJDEP EPH Rev 3.0 Certifications: NJDEP	04/04/2019 08:33	04/05/2019 08:16	CM

**Surrogate Recoveries**

**Result**

**Acceptance Range**

3386-33-2	Surrogate: 1-Chlorooctadecane	58.2 %	40-140
84-15-1	Surrogate: o-Terphenyl	58.4 %	40-140

**Metals, Target Analyte**

Log-in Notes:

Sample Notes:

Sample Prepared by Method: EPA 3050B

CAS No.	Parameter	Result	Flag	Units	Reported to LOQ	Dilution	Reference Method	Date/Time Prepared	Date/Time Analyzed	Analyst
7429-90-5	Aluminum	11700		mg/kg dry	5.61	1	EPA 6010D Certifications: CTDOH,NELAC-NY10854,NJDEP,PADEP	04/01/2019 09:55	04/01/2019 17:34	KML



### Sample Information

**Client Sample ID:** PD1-Composite 1 (0-8)

**York Sample ID:** 19C1272-32

York Project (SDG) No.

Client Project ID

Matrix

Collection Date/Time

Date Received

19C1272

1602600 Former Safety Kleen

Soil

March 29, 2019 10:30 am

03/29/2019

**Metals, Target Analyte**

**Log-in Notes:**

**Sample Notes:**

Sample Prepared by Method: EPA 3050B

CAS No.	Parameter	Result	Flag	Units	Reported to LOQ	Dilution	Reference Method	Date/Time Prepared	Date/Time Analyzed	Analyst
7440-36-0	Antimony	ND		mg/kg dry	2.81	1	EPA 6010D Certifications: CTDOH,NELAC-NY10854,NJDEP,PADEP	04/01/2019 09:55	04/01/2019 17:34	KML
7440-38-2	Arsenic	3.95		mg/kg dry	1.68	1	EPA 6010D Certifications: CTDOH,NELAC-NY10854,NJDEP,PADEP	04/01/2019 09:55	04/01/2019 17:34	KML
7440-39-3	Barium	37.3		mg/kg dry	2.81	1	EPA 6010D Certifications: CTDOH,NELAC-NY10854,NJDEP,PADEP	04/01/2019 09:55	04/01/2019 17:34	KML
7440-41-7	Beryllium	0.356		mg/kg dry	0.056	1	EPA 6010D Certifications: CTDOH,NELAC-NY10854,NJDEP,PADEP	04/01/2019 09:55	04/01/2019 17:34	KML
7440-43-9	Cadmium	ND		mg/kg dry	0.337	1	EPA 6010D Certifications: CTDOH,NELAC-NY10854,NJDEP,PADEP	04/01/2019 09:55	04/01/2019 17:34	KML
7440-70-2	Calcium	2680		mg/kg dry	5.61	1	EPA 6010D Certifications: CTDOH,NELAC-NY10854,NJDEP,PADEP	04/01/2019 09:55	04/01/2019 17:34	KML
7440-47-3	Chromium	14.7		mg/kg dry	0.561	1	EPA 6010D Certifications: CTDOH,NELAC-NY10854,NJDEP,PADEP	04/01/2019 09:55	04/01/2019 17:34	KML
7440-48-4	Cobalt	11.4		mg/kg dry	0.449	1	EPA 6010D Certifications: CTDOH,NELAC-NY10854,NJDEP,PADEP	04/01/2019 09:55	04/01/2019 17:34	KML
7440-50-8	Copper	27.4		mg/kg dry	2.24	1	EPA 6010D Certifications: CTDOH,NELAC-NY10854,NJDEP,PADEP	04/01/2019 09:55	04/01/2019 17:34	KML
7439-89-6	Iron	25200		mg/kg dry	28.1	1	EPA 6010D Certifications: CTDOH,NELAC-NY10854,NJDEP,PADEP	04/01/2019 09:55	04/01/2019 17:34	KML
7439-92-1	Lead	9.58		mg/kg dry	0.561	1	EPA 6010D Certifications: CTDOH,NELAC-NY10854,NJDEP,PADEP	04/01/2019 09:55	04/01/2019 17:34	KML
7439-95-4	Magnesium	4400		mg/kg dry	5.61	1	EPA 6010D Certifications: CTDOH,NELAC-NY10854,NJDEP,PADEP	04/01/2019 09:55	04/01/2019 17:34	KML
7439-96-5	Manganese	620		mg/kg dry	0.561	1	EPA 6010D Certifications: CTDOH,NELAC-NY10854,NJDEP,PADEP	04/01/2019 09:55	04/01/2019 17:34	KML
7440-02-0	Nickel	22.8		mg/kg dry	1.12	1	EPA 6010D Certifications: CTDOH,NELAC-NY10854,NJDEP,PADEP	04/01/2019 09:55	04/01/2019 17:34	KML
7440-09-7	Potassium	1160		mg/kg dry	5.61	1	EPA 6010D Certifications: CTDOH,NELAC-NY10854,NJDEP,PADEP	04/01/2019 09:55	04/01/2019 17:34	KML
7782-49-2	Selenium	ND		mg/kg dry	2.81	1	EPA 6010D Certifications: CTDOH,NELAC-NY10854,NJDEP,PADEP	04/01/2019 09:55	04/01/2019 17:34	KML
7440-22-4	Silver	ND		mg/kg dry	0.561	1	EPA 6010D Certifications: CTDOH,NELAC-NY10854,NJDEP,PADEP	04/01/2019 09:55	04/01/2019 17:34	KML
7440-23-5	Sodium	194		mg/kg dry	56.1	1	EPA 6010D Certifications: CTDOH,NELAC-NY10854,NJDEP,PADEP	04/01/2019 09:55	04/01/2019 17:34	KML
7440-28-0	Thallium	ND		mg/kg dry	2.81	1	EPA 6010D Certifications: CTDOH,NELAC-NY10854,NJDEP,PADEP	04/01/2019 09:55	04/01/2019 17:34	KML
7440-62-2	Vanadium	15.1		mg/kg dry	1.12	1	EPA 6010D Certifications: CTDOH,NELAC-NY10854,NJDEP,PADEP	04/01/2019 09:55	04/01/2019 17:34	KML
7440-66-6	Zinc	68.2		mg/kg dry	2.81	1	EPA 6010D Certifications: CTDOH,NELAC-NY10854,NJDEP,PADEP	04/01/2019 09:55	04/01/2019 17:34	KML

**Metals, TCLP RCRA**

**Log-in Notes:**

**Sample Notes:**



### Sample Information

**Client Sample ID:** PD1-Composite 1 (0-8)

**York Sample ID:** 19C1272-32

<u>York Project (SDG) No.</u> 19C1272	<u>Client Project ID</u> 1602600 Former Safety Kleen	<u>Matrix</u> Soil	<u>Collection Date/Time</u> March 29, 2019 10:30 am	<u>Date Received</u> 03/29/2019
--	---	-----------------------	--	------------------------------------

Sample Prepared by Method: EPA 3015A/1311

CAS No.	Parameter	Result	Flag	Units	Reported to LOQ	Dilution	Reference Method	Date/Time Prepared	Date/Time Analyzed	Analyst
7440-38-2	Arsenic	ND		mg/L	0.375	1	EPA 6010D/1311 Certifications: CTDOH,NELAC-NY10854,NJDEP,PADEP	04/02/2019 14:34	04/02/2019 17:25	KML
7440-39-3	Barium	ND		mg/L	0.625	1	EPA 6010D/1311 Certifications: CTDOH,NELAC-NY10854,NJDEP,PADEP	04/02/2019 14:34	04/02/2019 17:25	KML
7440-43-9	Cadmium	ND		mg/L	0.075	1	EPA 6010D/1311 Certifications: CTDOH,NELAC-NY10854,NJDEP,PADEP	04/02/2019 14:34	04/02/2019 17:25	KML
7440-47-3	Chromium	ND		mg/L	0.125	1	EPA 6010D/1311 Certifications: CTDOH,NELAC-NY10854,NJDEP,PADEP	04/02/2019 14:34	04/02/2019 17:25	KML
7439-92-1	Lead	ND		mg/L	0.125	1	EPA 6010D/1311 Certifications: CTDOH,NELAC-NY10854,NJDEP,PADEP	04/02/2019 14:34	04/02/2019 17:25	KML
7782-49-2	Selenium	ND		mg/L	0.625	1	EPA 6010D/1311 Certifications: CTDOH,NELAC-NY10854,NJDEP,PADEP	04/02/2019 14:34	04/02/2019 17:25	KML
7440-22-4	Silver	ND		mg/L	0.125	1	EPA 6010D/1311 Certifications: CTDOH,NELAC-NY10854,NJDEP,PADEP	04/02/2019 14:34	04/02/2019 17:25	KML

**Mercury by 7473**

**Log-in Notes:**

**Sample Notes:**

Sample Prepared by Method: EPA 7473 soil

CAS No.	Parameter	Result	Flag	Units	Reported to LOQ	Dilution	Reference Method	Date/Time Prepared	Date/Time Analyzed	Analyst
7439-97-6	Mercury	ND		mg/kg dry	0.0337	1	EPA 7473 Certifications: CTDOH,NJDEP,NELAC-NY10854,PADEP	04/04/2019 09:05	04/04/2019 13:46	SY

**Mercury TCLP by 7473**

**Log-in Notes:**

**Sample Notes:**

Sample Prepared by Method: EPA 7473 water

CAS No.	Parameter	Result	Flag	Units	Reported to LOQ	Dilution	Reference Method	Date/Time Prepared	Date/Time Analyzed	Analyst
7439-97-6	Mercury	ND		mg/L	0.0002000	1	EPA 7473/1311 Certifications: CTDOH,NJDEP,PADEP,NELAC-NY10854	04/03/2019 09:03	04/03/2019 12:39	SY

**Ignitability**

**Log-in Notes:**

**Sample Notes:**

Sample Prepared by Method: Analysis Preparation

CAS No.	Parameter	Result	Flag	Units	Reported to LOQ	Dilution	Reference Method	Date/Time Prepared	Date/Time Analyzed	Analyst
	* Ignitability	Non-Ignit.		-	1	1	EPA 1030P Certifications:	03/29/2019 16:33	04/01/2019 15:37	AA

**Total Solids**

**Log-in Notes:**

**Sample Notes:**

Sample Prepared by Method: % Solids Prep

CAS No.	Parameter	Result	Flag	Units	Reported to LOQ	Dilution	Reference Method	Date/Time Prepared	Date/Time Analyzed	Analyst
solids	* % Solids	89.1		%	0.100	1	SM 2540G Certifications: CTDOH	04/05/2019 09:50	04/05/2019 15:50	BML

**Corrosivity by SM 4500/EPA 9045D**

**Log-in Notes:**

**Sample Notes:**



### Sample Information

**Client Sample ID:** PD1-Composite 1 (0-8)

**York Sample ID:** 19C1272-32

<u>York Project (SDG) No.</u> 19C1272	<u>Client Project ID</u> 1602600 Former Safety Kleen	<u>Matrix</u> Soil	<u>Collection Date/Time</u> March 29, 2019 10:30 am	<u>Date Received</u> 03/29/2019
--	---	-----------------------	--	------------------------------------

Sample Prepared by Method: Analysis Preparation

CAS No.	Parameter	Result	Flag	Units	Reported to LOQ	Dilution	Reference Method	Date/Time Prepared	Date/Time Analyzed	Analyst
	pH	7.29	HT-01	pH units	0.500	1	EPA 9045D	04/04/2019 16:51	04/05/2019 10:55	TJM
							Certifications:	NELAC-NY10854,CTDOH,PADEP		

#### Reactivity-Cyanide

Log-in Notes:

Sample Notes:

Sample Prepared by Method: Analysis Preparation

CAS No.	Parameter	Result	Flag	Units	Reported to LOQ	Dilution	Reference Method	Date/Time Prepared	Date/Time Analyzed	Analyst
	* Reactivity - Cyanide	ND		mg/kg	0.250	1	EPA SW-846 Ch.7.3.3	04/04/2019 10:51	04/04/2019 15:07	JTV
							Certifications:	CTDOH,PADEP		

#### Reactivity-Sulfide

Log-in Notes:

Sample Notes:

Sample Prepared by Method: Analysis Preparation

CAS No.	Parameter	Result	Flag	Units	Reported to LOQ	Dilution	Reference Method	Date/Time Prepared	Date/Time Analyzed	Analyst
	* Reactivity - Sulfide	ND		mg/kg	15.0	1	EPA SW-846 Ch.7.3.4	04/04/2019 10:54	04/04/2019 15:39	JTV
							Certifications:	CTDOH,PADEP		

#### TCLP Extraction for METALS EPA 1311

Log-in Notes:

Sample Notes: EXT-Temp

Sample Prepared by Method: EPA SW 846-1311 TCLP ext. for metals

CAS No.	Parameter	Result	Flag	Units	Reported to LOQ	Dilution	Reference Method	Date/Time Prepared	Date/Time Analyzed	Analyst
	TCLP Extraction	Completed		N/A	1.00	1	EPA 1311	04/01/2019 18:11	04/02/2019 10:31	TAJ
							Certifications:	NELAC-NY10854,CTDOH,NJDEP,PADEP		

#### TCLP Extraction for SVOCS/PEST/HERB

Log-in Notes:

Sample Notes: EXT-Temp

Sample Prepared by Method: EPA SW 846-1311 TCLP extr. for SVOA/PEST/HERBS

CAS No.	Parameter	Result	Flag	Units	Reported to LOQ	Dilution	Reference Method	Date/Time Prepared	Date/Time Analyzed	Analyst
	TCLP Extraction	Completed		N/A	1.00	1	EPA 1311	04/01/2019 15:31	04/02/2019 12:30	TAJ
							Certifications:	NELAC-NY10854,CTDOH,NJDEP,PADEP		

#### Temperature

Log-in Notes:

Sample Notes:

Sample Prepared by Method: Analysis Preparation

CAS No.	Parameter	Result	Flag	Units	Reported to LOQ	Dilution	Reference Method	Date/Time Prepared	Date/Time Analyzed	Analyst
	* Temperature	21.8	HT-01	°C	1.00	1	EPA 170.1	04/04/2019 16:51	04/05/2019 10:55	TJM
							Certifications:			

### Sample Information

**Client Sample ID:** PD1-Composite 2 (8-12)

**York Sample ID:** 19C1272-33

<u>York Project (SDG) No.</u> 19C1272	<u>Client Project ID</u> 1602600 Former Safety Kleen	<u>Matrix</u> Soil	<u>Collection Date/Time</u> March 29, 2019 10:35 am	<u>Date Received</u> 03/29/2019
--	---	-----------------------	--	------------------------------------



### Sample Information

**Client Sample ID:** PD1-Composite 2 (8-12)

**York Sample ID:** 19C1272-33

York Project (SDG) No.

Client Project ID

Matrix

Collection Date/Time

Date Received

19C1272

1602600 Former Safety Kleen

Soil

March 29, 2019 10:35 am

03/29/2019

**Semi-Volatiles, 8270 - Comprehensive**

**Log-in Notes:**

**Sample Notes:**

Sample Prepared by Method: EPA 3550C

CAS No.	Parameter	Result	Flag	Units	Reported to LOD/MDL	LOQ	Dilution	Reference Method	Date/Time Prepared	Date/Time Analyzed	Analyst
92-52-4	1,1-Biphenyl	ND		ug/kg dry	48.0	95.8	2	EPA 8270D Certifications: NELAC-NY10854,NJDEP,PADEP	04/04/2019 08:27	04/05/2019 20:06	SR
95-94-3	1,2,4,5-Tetrachlorobenzene	ND		ug/kg dry	95.8	191	2	EPA 8270D Certifications: NELAC-NY10854,NJDEP,PADEP	04/04/2019 08:27	04/05/2019 20:06	SR
120-82-1	1,2,4-Trichlorobenzene	ND		ug/kg dry	48.0	95.8	2	EPA 8270D Certifications: CTDOH,NELAC-NY10854,NJDEP,PADEP	04/04/2019 08:27	04/05/2019 20:06	SR
95-50-1	1,2-Dichlorobenzene	ND		ug/kg dry	48.0	95.8	2	EPA 8270D Certifications: NELAC-NY10854,PADEP	04/04/2019 08:27	04/05/2019 20:06	SR
122-66-7	1,2-Diphenylhydrazine (as Azobenzene)	ND		ug/kg dry	48.0	95.8	2	EPA 8270D Certifications: NELAC-NY10854,NJDEP,PADEP	04/04/2019 08:27	04/05/2019 20:06	SR
541-73-1	1,3-Dichlorobenzene	ND		ug/kg dry	48.0	95.8	2	EPA 8270D Certifications: NELAC-NY10854,PADEP	04/04/2019 08:27	04/05/2019 20:06	SR
106-46-7	1,4-Dichlorobenzene	ND		ug/kg dry	48.0	95.8	2	EPA 8270D Certifications: NELAC-NY10854,PADEP	04/04/2019 08:27	04/05/2019 20:06	SR
58-90-2	2,3,4,6-Tetrachlorophenol	ND		ug/kg dry	95.8	191	2	EPA 8270D Certifications: NELAC-NY10854,NJDEP,PADEP	04/04/2019 08:27	04/05/2019 20:06	SR
95-95-4	2,4,5-Trichlorophenol	ND		ug/kg dry	48.0	95.8	2	EPA 8270D Certifications: CTDOH,NELAC-NY10854,NJDEP,PADEP	04/04/2019 08:27	04/05/2019 20:06	SR
88-06-2	2,4,6-Trichlorophenol	ND		ug/kg dry	48.0	95.8	2	EPA 8270D Certifications: CTDOH,NELAC-NY10854,NJDEP,PADEP	04/04/2019 08:27	04/05/2019 20:06	SR
120-83-2	2,4-Dichlorophenol	ND		ug/kg dry	48.0	95.8	2	EPA 8270D Certifications: CTDOH,NELAC-NY10854,NJDEP,PADEP	04/04/2019 08:27	04/05/2019 20:06	SR
105-67-9	2,4-Dimethylphenol	ND		ug/kg dry	48.0	95.8	2	EPA 8270D Certifications: CTDOH,NELAC-NY10854,NJDEP,PADEP	04/04/2019 08:27	04/05/2019 20:06	SR
51-28-5	2,4-Dinitrophenol	ND		ug/kg dry	95.8	191	2	EPA 8270D Certifications: CTDOH,NELAC-NY10854,NJDEP,PADEP	04/04/2019 08:27	04/05/2019 20:06	SR
121-14-2	2,4-Dinitrotoluene	ND		ug/kg dry	48.0	95.8	2	EPA 8270D Certifications: CTDOH,NELAC-NY10854,NJDEP,PADEP	04/04/2019 08:27	04/05/2019 20:06	SR
606-20-2	2,6-Dinitrotoluene	ND		ug/kg dry	48.0	95.8	2	EPA 8270D Certifications: CTDOH,NELAC-NY10854,NJDEP,PADEP	04/04/2019 08:27	04/05/2019 20:06	SR
91-58-7	2-Chloronaphthalene	ND		ug/kg dry	48.0	95.8	2	EPA 8270D Certifications: CTDOH,NELAC-NY10854,NJDEP,PADEP	04/04/2019 08:27	04/05/2019 20:06	SR
95-57-8	2-Chlorophenol	ND		ug/kg dry	48.0	95.8	2	EPA 8270D Certifications: CTDOH,NELAC-NY10854,NJDEP,PADEP	04/04/2019 08:27	04/05/2019 20:06	SR
91-57-6	2-Methylnaphthalene	ND		ug/kg dry	48.0	95.8	2	EPA 8270D Certifications: CTDOH,NELAC-NY10854,NJDEP,PADEP	04/04/2019 08:27	04/05/2019 20:06	SR
95-48-7	2-Methylphenol	ND		ug/kg dry	48.0	95.8	2	EPA 8270D Certifications: CTDOH,NELAC-NY10854,NJDEP,PADEP	04/04/2019 08:27	04/05/2019 20:06	SR
88-74-4	2-Nitroaniline	ND		ug/kg dry	95.8	191	2	EPA 8270D Certifications: CTDOH,NELAC-NY10854,NJDEP,PADEP	04/04/2019 08:27	04/05/2019 20:06	SR
88-75-5	2-Nitrophenol	ND		ug/kg dry	48.0	95.8	2	EPA 8270D Certifications: CTDOH,NELAC-NY10854,NJDEP,PADEP	04/04/2019 08:27	04/05/2019 20:06	SR
65794-96-9	3- & 4-Methylphenols	ND		ug/kg dry	48.0	95.8	2	EPA 8270D Certifications: CTDOH,NELAC-NY10854,NJDEP,PADEP	04/04/2019 08:27	04/05/2019 20:06	SR
91-94-1	3,3-Dichlorobenzidine	ND		ug/kg dry	48.0	95.8	2	EPA 8270D Certifications: NELAC-NY10854,NJDEP,PADEP	04/04/2019 08:27	04/05/2019 20:06	SR



### Sample Information

**Client Sample ID:** PD1-Composite 2 (8-12)

**York Sample ID:** 19C1272-33

York Project (SDG) No.

Client Project ID

Matrix

Collection Date/Time

Date Received

19C1272

1602600 Former Safety Kleen

Soil

March 29, 2019 10:35 am

03/29/2019

**Semi-Volatiles, 8270 - Comprehensive**

**Log-in Notes:**

**Sample Notes:**

Sample Prepared by Method: EPA 3550C

CAS No.	Parameter	Result	Flag	Units	Reported to LOD/MDL	LOQ	Dilution	Reference Method	Date/Time Prepared	Date/Time Analyzed	Analyst
99-09-2	3-Nitroaniline	ND		ug/kg dry	95.8	191	2	EPA 8270D Certifications: CTDOH,NELAC-NY10854,NJDEP,PADEP	04/04/2019 08:27	04/05/2019 20:06	SR
534-52-1	4,6-Dinitro-2-methylphenol	ND		ug/kg dry	95.8	191	2	EPA 8270D Certifications: CTDOH,NELAC-NY10854,NJDEP,PADEP	04/04/2019 08:27	04/05/2019 20:06	SR
101-55-3	4-Bromophenyl phenyl ether	ND		ug/kg dry	48.0	95.8	2	EPA 8270D Certifications: CTDOH,NELAC-NY10854,NJDEP,PADEP	04/04/2019 08:27	04/05/2019 20:06	SR
59-50-7	4-Chloro-3-methylphenol	ND		ug/kg dry	48.0	95.8	2	EPA 8270D Certifications: CTDOH,NELAC-NY10854,NJDEP,PADEP	04/04/2019 08:27	04/05/2019 20:06	SR
106-47-8	4-Chloroaniline	ND		ug/kg dry	48.0	95.8	2	EPA 8270D Certifications: CTDOH,NELAC-NY10854,NJDEP,PADEP	04/04/2019 08:27	04/05/2019 20:06	SR
7005-72-3	4-Chlorophenyl phenyl ether	ND		ug/kg dry	48.0	95.8	2	EPA 8270D Certifications: CTDOH,NELAC-NY10854,NJDEP,PADEP	04/04/2019 08:27	04/05/2019 20:06	SR
100-01-6	4-Nitroaniline	ND		ug/kg dry	95.8	191	2	EPA 8270D Certifications: CTDOH,NELAC-NY10854,NJDEP,PADEP	04/04/2019 08:27	04/05/2019 20:06	SR
100-02-7	4-Nitrophenol	ND		ug/kg dry	95.8	191	2	EPA 8270D Certifications: CTDOH,NELAC-NY10854,NJDEP,PADEP	04/04/2019 08:27	04/05/2019 20:06	SR
83-32-9	Acenaphthene	ND		ug/kg dry	48.0	95.8	2	EPA 8270D Certifications: CTDOH,NELAC-NY10854,NJDEP,PADEP	04/04/2019 08:27	04/05/2019 20:06	SR
208-96-8	Acenaphthylene	ND		ug/kg dry	48.0	95.8	2	EPA 8270D Certifications: CTDOH,NELAC-NY10854,NJDEP,PADEP	04/04/2019 08:27	04/05/2019 20:06	SR
98-86-2	Acetophenone	ND		ug/kg dry	48.0	95.8	2	EPA 8270D Certifications: NELAC-NY10854,NJDEP,PADEP	04/04/2019 08:27	04/05/2019 20:06	SR
62-53-3	Aniline	ND		ug/kg dry	192	384	2	EPA 8270D Certifications: NELAC-NY10854,NJDEP,PADEP	04/04/2019 08:27	04/05/2019 20:06	SR
120-12-7	Anthracene	ND		ug/kg dry	48.0	95.8	2	EPA 8270D Certifications: CTDOH,NELAC-NY10854,NJDEP,PADEP	04/04/2019 08:27	04/05/2019 20:06	SR
1912-24-9	Atrazine	ND		ug/kg dry	48.0	95.8	2	EPA 8270D Certifications: NELAC-NY10854,NJDEP,PADEP	04/04/2019 08:27	04/05/2019 20:06	SR
100-52-7	Benzaldehyde	ND		ug/kg dry	48.0	95.8	2	EPA 8270D Certifications: NELAC-NY10854,NJDEP,PADEP	04/04/2019 08:27	04/05/2019 20:06	SR
92-87-5	Benzidine	ND		ug/kg dry	192	384	2	EPA 8270D Certifications: CTDOH,NELAC-NY10854,PADEP	04/04/2019 08:27	04/05/2019 20:06	SR
56-55-3	Benzo(a)anthracene	ND		ug/kg dry	48.0	95.8	2	EPA 8270D Certifications: CTDOH,NELAC-NY10854,NJDEP,PADEP	04/04/2019 08:27	04/05/2019 20:06	SR
50-32-8	Benzo(a)pyrene	ND		ug/kg dry	48.0	95.8	2	EPA 8270D Certifications: CTDOH,NELAC-NY10854,NJDEP,PADEP	04/04/2019 08:27	04/05/2019 20:06	SR
205-99-2	Benzo(b)fluoranthene	ND		ug/kg dry	48.0	95.8	2	EPA 8270D Certifications: CTDOH,NELAC-NY10854,NJDEP,PADEP	04/04/2019 08:27	04/05/2019 20:06	SR
191-24-2	Benzo(g,h,i)perylene	ND		ug/kg dry	48.0	95.8	2	EPA 8270D Certifications: CTDOH,NELAC-NY10854,NJDEP,PADEP	04/04/2019 08:27	04/05/2019 20:06	SR
207-08-9	Benzo(k)fluoranthene	ND		ug/kg dry	48.0	95.8	2	EPA 8270D Certifications: CTDOH,NELAC-NY10854,NJDEP,PADEP	04/04/2019 08:27	04/05/2019 20:06	SR
65-85-0	Benzoic acid	ND		ug/kg dry	48.0	95.8	2	EPA 8270D Certifications: NELAC-NY10854,NJDEP,PADEP	04/04/2019 08:27	04/05/2019 20:06	SR
100-51-6	Benzyl alcohol	ND		ug/kg dry	48.0	95.8	2	EPA 8270D Certifications: NELAC-NY10854,NJDEP,PADEP	04/04/2019 08:27	04/05/2019 20:06	SR



### Sample Information

**Client Sample ID:** PD1-Composite 2 (8-12)

**York Sample ID:** 19C1272-33

York Project (SDG) No.

Client Project ID

Matrix

Collection Date/Time

Date Received

19C1272

1602600 Former Safety Kleen

Soil

March 29, 2019 10:35 am

03/29/2019

**Semi-Volatiles, 8270 - Comprehensive**

**Log-in Notes:**

**Sample Notes:**

Sample Prepared by Method: EPA 3550C

CAS No.	Parameter	Result	Flag	Units	Reported to LOD/MDL	LOQ	Dilution	Reference Method	Date/Time Prepared	Date/Time Analyzed	Analyst
85-68-7	Benzyl butyl phthalate	ND		ug/kg dry	48.0	95.8	2	EPA 8270D Certifications: CTDOH,NELAC-NY10854,NJDEP,PADEP	04/04/2019 08:27	04/05/2019 20:06	SR
111-91-1	Bis(2-chloroethoxy)methane	ND		ug/kg dry	48.0	95.8	2	EPA 8270D Certifications: CTDOH,NELAC-NY10854,NJDEP,PADEP	04/04/2019 08:27	04/05/2019 20:06	SR
111-44-4	Bis(2-chloroethyl)ether	ND		ug/kg dry	48.0	95.8	2	EPA 8270D Certifications: CTDOH,NELAC-NY10854,NJDEP,PADEP	04/04/2019 08:27	04/05/2019 20:06	SR
108-60-1	Bis(2-chloroisopropyl)ether	ND		ug/kg dry	48.0	95.8	2	EPA 8270D Certifications: CTDOH,NELAC-NY10854,NJDEP,PADEP	04/04/2019 08:27	04/05/2019 20:06	SR
117-81-7	<b>Bis(2-ethylhexyl)phthalate</b>	<b>332</b>	CCV-E	ug/kg dry	48.0	95.8	2	EPA 8270D Certifications: CTDOH,NELAC-NY10854,NJDEP,PADEP	04/04/2019 08:27	04/05/2019 20:06	SR
105-60-2	Caprolactam	ND		ug/kg dry	95.8	191	2	EPA 8270D Certifications: NELAC-NY10854,NJDEP,PADEP	04/04/2019 08:27	04/05/2019 20:06	SR
86-74-8	Carbazole	ND		ug/kg dry	48.0	95.8	2	EPA 8270D Certifications: CTDOH,NELAC-NY10854,NJDEP,PADEP	04/04/2019 08:27	04/05/2019 20:06	SR
218-01-9	Chrysene	ND		ug/kg dry	48.0	95.8	2	EPA 8270D Certifications: CTDOH,NELAC-NY10854,NJDEP,PADEP	04/04/2019 08:27	04/05/2019 20:06	SR
53-70-3	Dibenzo(a,h)anthracene	ND		ug/kg dry	48.0	95.8	2	EPA 8270D Certifications: CTDOH,NELAC-NY10854,NJDEP,PADEP	04/04/2019 08:27	04/05/2019 20:06	SR
132-64-9	Dibenzofuran	ND		ug/kg dry	48.0	95.8	2	EPA 8270D Certifications: CTDOH,NELAC-NY10854,NJDEP,PADEP	04/04/2019 08:27	04/05/2019 20:06	SR
84-66-2	Diethyl phthalate	ND		ug/kg dry	48.0	95.8	2	EPA 8270D Certifications: CTDOH,NELAC-NY10854,NJDEP,PADEP	04/04/2019 08:27	04/05/2019 20:06	SR
131-11-3	Dimethyl phthalate	ND		ug/kg dry	48.0	95.8	2	EPA 8270D Certifications: CTDOH,NELAC-NY10854,NJDEP,PADEP	04/04/2019 08:27	04/05/2019 20:06	SR
84-74-2	Di-n-butyl phthalate	ND		ug/kg dry	48.0	95.8	2	EPA 8270D Certifications: CTDOH,NELAC-NY10854,NJDEP,PADEP	04/04/2019 08:27	04/05/2019 20:06	SR
117-84-0	Di-n-octyl phthalate	ND		ug/kg dry	48.0	95.8	2	EPA 8270D Certifications: CTDOH,NELAC-NY10854,NJDEP,PADEP	04/04/2019 08:27	04/05/2019 20:06	SR
206-44-0	Fluoranthene	ND		ug/kg dry	48.0	95.8	2	EPA 8270D Certifications: CTDOH,NELAC-NY10854,NJDEP,PADEP	04/04/2019 08:27	04/05/2019 20:06	SR
86-73-7	Fluorene	ND		ug/kg dry	48.0	95.8	2	EPA 8270D Certifications: NELAC-NY10854,NJDEP,PADEP	04/04/2019 08:27	04/05/2019 20:06	SR
118-74-1	Hexachlorobenzene	ND		ug/kg dry	48.0	95.8	2	EPA 8270D Certifications: CTDOH,NELAC-NY10854,NJDEP,PADEP	04/04/2019 08:27	04/05/2019 20:06	SR
87-68-3	Hexachlorobutadiene	ND		ug/kg dry	48.0	95.8	2	EPA 8270D Certifications: CTDOH,NELAC-NY10854,NJDEP,PADEP	04/04/2019 08:27	04/05/2019 20:06	SR
77-47-4	Hexachlorocyclopentadiene	ND		ug/kg dry	48.0	95.8	2	EPA 8270D Certifications: CTDOH,NELAC-NY10854,NJDEP,PADEP	04/04/2019 08:27	04/05/2019 20:06	SR
67-72-1	Hexachloroethane	ND		ug/kg dry	48.0	95.8	2	EPA 8270D Certifications: CTDOH,NELAC-NY10854,NJDEP,PADEP	04/04/2019 08:27	04/05/2019 20:06	SR
193-39-5	Indeno(1,2,3-cd)pyrene	ND		ug/kg dry	48.0	95.8	2	EPA 8270D Certifications: CTDOH,NELAC-NY10854,NJDEP,PADEP	04/04/2019 08:27	04/05/2019 20:06	SR
78-59-1	Isophorone	ND		ug/kg dry	48.0	95.8	2	EPA 8270D Certifications: CTDOH,NELAC-NY10854,NJDEP,PADEP	04/04/2019 08:27	04/05/2019 20:06	SR
91-20-3	Naphthalene	ND		ug/kg dry	48.0	95.8	2	EPA 8270D Certifications: CTDOH,NELAC-NY10854,NJDEP,PADEP	04/04/2019 08:27	04/05/2019 20:06	SR



### Sample Information

**Client Sample ID:** PD1-Composite 2 (8-12)

**York Sample ID:** 19C1272-33

York Project (SDG) No.

Client Project ID

Matrix

Collection Date/Time

Date Received

19C1272

1602600 Former Safety Kleen

Soil

March 29, 2019 10:35 am

03/29/2019

**Semi-Volatiles, 8270 - Comprehensive**

**Log-in Notes:**

**Sample Notes:**

Sample Prepared by Method: EPA 3550C

CAS No.	Parameter	Result	Flag	Units	Reported to LOD/MDL	LOQ	Dilution	Reference Method	Date/Time Prepared	Date/Time Analyzed	Analyst
98-95-3	Nitrobenzene	ND		ug/kg dry	48.0	95.8	2	EPA 8270D Certifications: CTDOH,NELAC-NY10854,NJDEP,PADEP	04/04/2019 08:27	04/05/2019 20:06	SR
62-75-9	N-Nitrosodimethylamine	ND		ug/kg dry	48.0	95.8	2	EPA 8270D Certifications: CTDOH,NELAC-NY10854,NJDEP,PADEP	04/04/2019 08:27	04/05/2019 20:06	SR
621-64-7	N-nitroso-di-n-propylamine	ND		ug/kg dry	48.0	95.8	2	EPA 8270D Certifications: CTDOH,NELAC-NY10854,NJDEP,PADEP	04/04/2019 08:27	04/05/2019 20:06	SR
86-30-6	N-Nitrosodiphenylamine	ND		ug/kg dry	48.0	95.8	2	EPA 8270D Certifications: CTDOH,NELAC-NY10854,NJDEP,PADEP	04/04/2019 08:27	04/05/2019 20:06	SR
87-86-5	Pentachlorophenol	ND		ug/kg dry	48.0	95.8	2	EPA 8270D Certifications: CTDOH,NELAC-NY10854,NJDEP,PADEP	04/04/2019 08:27	04/05/2019 20:06	SR
85-01-8	Phenanthrene	ND		ug/kg dry	48.0	95.8	2	EPA 8270D Certifications: CTDOH,NELAC-NY10854,NJDEP,PADEP	04/04/2019 08:27	04/05/2019 20:06	SR
108-95-2	Phenol	ND		ug/kg dry	48.0	95.8	2	EPA 8270D Certifications: CTDOH,NELAC-NY10854,NJDEP,PADEP	04/04/2019 08:27	04/05/2019 20:06	SR
129-00-0	Pyrene	ND		ug/kg dry	48.0	95.8	2	EPA 8270D Certifications: CTDOH,NELAC-NY10854,NJDEP,PADEP	04/04/2019 08:27	04/05/2019 20:06	SR
<b>Surrogate Recoveries</b>		<b>Result</b>	<b>Acceptance Range</b>								
367-12-4	Surrogate: SURR: 2-Fluorophenol	75.0 %	20-108								
4165-62-2	Surrogate: SURR: Phenol-d5	70.2 %	23-114								
4165-60-0	Surrogate: SURR: Nitrobenzene-d5	101 %	22-108								
321-60-8	Surrogate: SURR: 2-Fluorobiphenyl	87.5 %	21-113								
118-79-6	Surrogate: SURR: 2,4,6-Tribromophenol	103 %	19-110								
1718-51-0	Surrogate: SURR: Terphenyl-d14	106 %	24-116								

**Semi-Volatiles, TCLP RCRA Target List**

**Log-in Notes:**

**Sample Notes:**

Sample Prepared by Method: EPA 3510C/1311

CAS No.	Parameter	Result	Flag	Units	Reported to LOD/MDL	LOQ	Dilution	Reference Method	Date/Time Prepared	Date/Time Analyzed	Analyst
106-46-7	1,4-Dichlorobenzene	ND		ug/L	5.00	10.0	1	EPA 8270D/1311 Certifications: NELAC-NY10854,PADEP	04/02/2019 15:02	04/03/2019 17:38	OW
95-95-4	2,4,5-Trichlorophenol	ND		ug/L	5.00	10.0	1	EPA 8270D/1311 Certifications: CTDOH,NELAC-NY10854,NJDEP,PADEP	04/02/2019 15:02	04/03/2019 17:38	OW
88-06-2	2,4,6-Trichlorophenol	ND		ug/L	5.00	10.0	1	EPA 8270D/1311 Certifications: CTDOH,NELAC-NY10854,NJDEP,PADEP	04/02/2019 15:02	04/03/2019 17:38	OW
121-14-2	2,4-Dinitrotoluene	ND		ug/L	5.00	10.0	1	EPA 8270D/1311 Certifications: CTDOH,NELAC-NY10854,NJDEP,PADEP	04/02/2019 15:02	04/03/2019 17:38	OW
95-48-7	2-Methylphenol	ND		ug/L	5.00	10.0	1	EPA 8270D/1311 Certifications: CTDOH,NELAC-NY10854,NJDEP,PADEP	04/02/2019 15:02	04/03/2019 17:38	OW
65794-96-9	3- & 4-Methylphenols	ND		ug/L	5.00	10.0	1	EPA 8270D/1311 Certifications: CTDOH,NELAC-NY10854,NJDEP,PADEP	04/02/2019 15:02	04/03/2019 17:38	OW
1319-77-3	Cresols, total	ND		ug/L	20.0	30.0	1	EPA 8270D/1311 Certifications: CTDOH,NELAC-NY10854	04/02/2019 15:02	04/03/2019 17:38	OW
118-74-1	Hexachlorobenzene	ND		ug/L	5.00	10.0	1	EPA 8270D/1311 Certifications: CTDOH,NELAC-NY10854,NJDEP,PADEP	04/02/2019 15:02	04/03/2019 17:38	OW
87-68-3	Hexachlorobutadiene	ND		ug/L	5.00	10.0	1	EPA 8270D/1311 Certifications: CTDOH,NELAC-NY10854,NJDEP,PADEP	04/02/2019 15:02	04/03/2019 17:38	OW





### Sample Information

**Client Sample ID:** PD1-Composite 2 (8-12)

**York Sample ID:** 19C1272-33

York Project (SDG) No.

Client Project ID

Matrix

Collection Date/Time

Date Received

19C1272

1602600 Former Safety Kleen

Soil

March 29, 2019 10:35 am

03/29/2019

**Semi-Volatiles, TCLP RCRA Target List**

**Log-in Notes:**

**Sample Notes:**

Sample Prepared by Method: EPA 3510C/1311

CAS No.	Parameter	Result	Flag	Units	Reported to LOD/MDL	LOQ	Dilution	Reference Method	Date/Time Prepared	Date/Time Analyzed	Analyst
67-72-1	Hexachloroethane	ND		ug/L	2.50	5.00	1	EPA 8270D/1311 Certifications: CTDOH,NELAC-NY10854,NJDEP,PADEP	04/02/2019 15:02	04/03/2019 17:38	OW
98-95-3	Nitrobenzene	ND		ug/L	5.00	10.0	1	EPA 8270D/1311 Certifications: CTDOH,NELAC-NY10854,NJDEP,PADEP	04/02/2019 15:02	04/03/2019 17:38	OW
87-86-5	Pentachlorophenol	ND		ug/L	5.00	10.0	1	EPA 8270D/1311 Certifications: CTDOH,NELAC-NY10854,NJDEP,PADEP	04/02/2019 15:02	04/03/2019 17:38	OW
110-86-1	Pyridine	ND		ug/L	5.00	10.0	1	EPA 8270D/1311 Certifications: CTDOH,NELAC-NY10854,NJDEP,PADEP	04/02/2019 15:02	04/03/2019 17:38	OW
<b>Surrogate Recoveries</b>		<b>Result</b>			<b>Acceptance Range</b>						
367-12-4	Surrogate: SURR: 2-Fluorophenol	47.2 %			10-90.9						
4165-62-2	Surrogate: SURR: Phenol-d5	34.5 %			10-69.2						
4165-60-0	Surrogate: SURR: Nitrobenzene-d5	65.1 %			19.2-141						
321-60-8	Surrogate: SURR: 2-Fluorobiphenyl	79.0 %			24.8-127						
118-79-6	Surrogate: SURR: 2,4,6-Tribromophenol	78.9 %			23-163						
1718-51-0	Surrogate: SURR: Terphenyl-d14	87.1 %			25.8-110						

**PEST, TCLP RCRA List**

**Log-in Notes:**

**Sample Notes:**

Sample Prepared by Method: EPA 3510C/1311

CAS No.	Parameter	Result	Flag	Units	Reported to LOD/MDL	LOQ	Dilution	Reference Method	Date/Time Prepared	Date/Time Analyzed	Analyst
72-20-8	Endrin	ND		ug/L	0.0444	0.0444	1	EPA 8081B/1311 Certifications: CTDOH,NELAC-NY10854,NJDEP,PADEP	04/02/2019 14:50	04/03/2019 10:45	CM
58-89-9	gamma-BHC (Lindane)	ND		ug/L	0.0444	0.0444	1	EPA 8081B/1311 Certifications: CTDOH,NELAC-NY10854,NJDEP,PADEP	04/02/2019 14:50	04/03/2019 10:45	CM
76-44-8	Heptachlor	ND		ug/L	0.0444	0.0444	1	EPA 8081B/1311 Certifications: CTDOH,NELAC-NY10854,NJDEP,PADEP	04/02/2019 14:50	04/03/2019 10:45	CM
1024-57-3	Heptachlor epoxide	ND		ug/L	0.0444	0.0444	1	EPA 8081B/1311 Certifications: CTDOH,NELAC-NY10854,NJDEP,PADEP	04/02/2019 14:50	04/03/2019 10:45	CM
72-43-5	Methoxychlor	ND		ug/L	0.0444	0.0444	1	EPA 8081B/1311 Certifications: CTDOH,NELAC-NY10854,NJDEP,PADEP	04/02/2019 14:50	04/03/2019 10:45	CM
8001-35-2	Toxaphene	ND		ug/L	1.11	1.11	1	EPA 8081B/1311 Certifications: CTDOH,NELAC-NY10854,NJDEP,PADEP	04/02/2019 14:50	04/03/2019 10:45	CM
<b>Surrogate Recoveries</b>		<b>Result</b>			<b>Acceptance Range</b>						
2051-24-3	Surrogate: Decachlorobiphenyl	54.1 %			30-150						
877-09-8	Surrogate: Tetrachloro-m-xylene	55.7 %			30-150						

**Polychlorinated Biphenyls (PCB)**

**Log-in Notes:**

**Sample Notes:**

Sample Prepared by Method: EPA 3550C

CAS No.	Parameter	Result	Flag	Units	Reported to LOQ	Dilution	Reference Method	Date/Time Prepared	Date/Time Analyzed	Analyst
12674-11-2	Aroclor 1016	ND		mg/kg dry	0.0192	1	EPA 8082A Certifications: NELAC-NY10854,CTDOH,NJDEP,PADEP	04/04/2019 08:34	04/05/2019 03:23	SR



### Sample Information

**Client Sample ID:** PD1-Composite 2 (8-12)

**York Sample ID:** 19C1272-33

<u>York Project (SDG) No.</u> 19C1272	<u>Client Project ID</u> 1602600 Former Safety Kleen	<u>Matrix</u> Soil	<u>Collection Date/Time</u> March 29, 2019 10:35 am	<u>Date Received</u> 03/29/2019
--	---	-----------------------	--	------------------------------------

**Polychlorinated Biphenyls (PCB)**

**Log-in Notes:**

**Sample Notes:**

Sample Prepared by Method: EPA 3550C

CAS No.	Parameter	Result	Flag	Units	Reported to LOQ	Dilution	Reference Method	Date/Time Prepared	Date/Time Analyzed	Analyst
11104-28-2	Aroclor 1221	ND		mg/kg dry	0.0192	1	EPA 8082A Certifications: NELAC-NY10854,CTDOH,NJDEP,PADEP	04/04/2019 08:34	04/05/2019 03:23	SR
11141-16-5	Aroclor 1232	ND		mg/kg dry	0.0192	1	EPA 8082A Certifications: NELAC-NY10854,CTDOH,NJDEP,PADEP	04/04/2019 08:34	04/05/2019 03:23	SR
53469-21-9	Aroclor 1242	ND		mg/kg dry	0.0192	1	EPA 8082A Certifications: NELAC-NY10854,CTDOH,NJDEP,PADEP	04/04/2019 08:34	04/05/2019 03:23	SR
12672-29-6	Aroclor 1248	ND		mg/kg dry	0.0192	1	EPA 8082A Certifications: NELAC-NY10854,CTDOH,NJDEP,PADEP	04/04/2019 08:34	04/05/2019 03:23	SR
11097-69-1	Aroclor 1254	ND		mg/kg dry	0.0192	1	EPA 8082A Certifications: NELAC-NY10854,CTDOH,NJDEP,PADEP	04/04/2019 08:34	04/05/2019 03:23	SR
11096-82-5	Aroclor 1260	ND		mg/kg dry	0.0192	1	EPA 8082A Certifications: NELAC-NY10854,CTDOH,NJDEP,PADEP	04/04/2019 08:34	04/05/2019 03:23	SR
1336-36-3	* Total PCBs	ND		mg/kg dry	0.0192	1	EPA 8082A Certifications:	04/04/2019 08:34	04/05/2019 03:23	SR
<b>Surrogate Recoveries</b>		<b>Result</b>			<b>Acceptance Range</b>					
877-09-8	Surrogate: Tetrachloro-m-xylene	67.5 %			30-140					
2051-24-3	Surrogate: Decachlorobiphenyl	67.0 %			30-140					

**NJDEP EPH (Cat. 2 Non-Fractionated)**

**Log-in Notes:**

**Sample Notes:**

Sample Prepared by Method: EPA 3545A

CAS No.	Parameter	Result	Flag	Units	Reported to LOQ	Dilution	Reference Method	Date/Time Prepared	Date/Time Analyzed	Analyst
	* Total EPH	ND		mg/kg dry	56.1	1	NJDEP EPH Rev 3.0 Certifications: NJDEP	04/04/2019 08:33	04/05/2019 08:44	CM
<b>Surrogate Recoveries</b>		<b>Result</b>			<b>Acceptance Range</b>					
3386-33-2	Surrogate: 1-Chlorooctadecane	55.8 %			40-140					
84-15-1	Surrogate: o-Terphenyl	56.1 %			40-140					

**Metals, Target Analyte**

**Log-in Notes:**

**Sample Notes:**

Sample Prepared by Method: EPA 3050B

CAS No.	Parameter	Result	Flag	Units	Reported to LOQ	Dilution	Reference Method	Date/Time Prepared	Date/Time Analyzed	Analyst
7429-90-5	Aluminum	12400		mg/kg dry	5.78	1	EPA 6010D Certifications: CTDOH,NELAC-NY10854,NJDEP,PADEP	04/01/2019 09:55	04/01/2019 17:36	KML
7440-36-0	Antimony	ND		mg/kg dry	2.89	1	EPA 6010D Certifications: CTDOH,NELAC-NY10854,NJDEP,PADEP	04/01/2019 09:55	04/01/2019 17:36	KML
7440-38-2	Arsenic	5.05		mg/kg dry	1.73	1	EPA 6010D Certifications: CTDOH,NELAC-NY10854,NJDEP,PADEP	04/01/2019 09:55	04/01/2019 17:36	KML
7440-39-3	Barium	49.0		mg/kg dry	2.89	1	EPA 6010D Certifications: CTDOH,NELAC-NY10854,NJDEP,PADEP	04/01/2019 09:55	04/01/2019 17:36	KML
7440-41-7	Beryllium	0.412		mg/kg dry	0.058	1	EPA 6010D Certifications: CTDOH,NELAC-NY10854,NJDEP,PADEP	04/01/2019 09:55	04/01/2019 17:36	KML



### Sample Information

**Client Sample ID:** PD1-Composite 2 (8-12)

**York Sample ID:** 19C1272-33

<u>York Project (SDG) No.</u> 19C1272	<u>Client Project ID</u> 1602600 Former Safety Kleen	<u>Matrix</u> Soil	<u>Collection Date/Time</u> March 29, 2019 10:35 am	<u>Date Received</u> 03/29/2019
--	---	-----------------------	--	------------------------------------

**Metals, Target Analyte**

**Log-in Notes:**

**Sample Notes:**

Sample Prepared by Method: EPA 3050B

CAS No.	Parameter	Result	Flag	Units	Reported to LOQ	Dilution	Reference Method	Date/Time Prepared	Date/Time Analyzed	Analyst
7440-43-9	Cadmium	ND		mg/kg dry	0.347	1	EPA 6010D Certifications: CTDOH,NELAC-NY10854,NJDEP,PADEP	04/01/2019 09:55	04/01/2019 17:36	KML
7440-70-2	Calcium	15900		mg/kg dry	5.78	1	EPA 6010D Certifications: CTDOH,NELAC-NY10854,NJDEP,PADEP	04/01/2019 09:55	04/01/2019 17:36	KML
7440-47-3	Chromium	16.4		mg/kg dry	0.578	1	EPA 6010D Certifications: CTDOH,NELAC-NY10854,NJDEP,PADEP	04/01/2019 09:55	04/01/2019 17:36	KML
7440-48-4	Cobalt	11.9		mg/kg dry	0.462	1	EPA 6010D Certifications: CTDOH,NELAC-NY10854,NJDEP,PADEP	04/01/2019 09:55	04/01/2019 17:36	KML
7440-50-8	Copper	28.9		mg/kg dry	2.31	1	EPA 6010D Certifications: CTDOH,NELAC-NY10854,NJDEP,PADEP	04/01/2019 09:55	04/01/2019 17:36	KML
7439-89-6	Iron	27100		mg/kg dry	28.9	1	EPA 6010D Certifications: CTDOH,NELAC-NY10854,NJDEP,PADEP	04/01/2019 09:55	04/01/2019 17:36	KML
7439-92-1	Lead	10.8		mg/kg dry	0.578	1	EPA 6010D Certifications: CTDOH,NELAC-NY10854,NJDEP,PADEP	04/01/2019 09:55	04/01/2019 17:36	KML
7439-95-4	Magnesium	7650		mg/kg dry	5.78	1	EPA 6010D Certifications: CTDOH,NELAC-NY10854,NJDEP,PADEP	04/01/2019 09:55	04/01/2019 17:36	KML
7439-96-5	Manganese	767		mg/kg dry	0.578	1	EPA 6010D Certifications: CTDOH,NELAC-NY10854,NJDEP,PADEP	04/01/2019 09:55	04/01/2019 17:36	KML
7440-02-0	Nickel	27.2		mg/kg dry	1.16	1	EPA 6010D Certifications: CTDOH,NELAC-NY10854,NJDEP,PADEP	04/01/2019 09:55	04/01/2019 17:36	KML
7440-09-7	Potassium	1400		mg/kg dry	5.78	1	EPA 6010D Certifications: CTDOH,NELAC-NY10854,NJDEP,PADEP	04/01/2019 09:55	04/01/2019 17:36	KML
7782-49-2	Selenium	ND		mg/kg dry	2.89	1	EPA 6010D Certifications: CTDOH,NELAC-NY10854,NJDEP,PADEP	04/01/2019 09:55	04/01/2019 17:36	KML
7440-22-4	Silver	ND		mg/kg dry	0.578	1	EPA 6010D Certifications: CTDOH,NELAC-NY10854,NJDEP,PADEP	04/01/2019 09:55	04/01/2019 17:36	KML
7440-23-5	Sodium	189		mg/kg dry	57.8	1	EPA 6010D Certifications: CTDOH,NELAC-NY10854,NJDEP,PADEP	04/01/2019 09:55	04/01/2019 17:36	KML
7440-28-0	Thallium	ND		mg/kg dry	2.89	1	EPA 6010D Certifications: CTDOH,NELAC-NY10854,NJDEP,PADEP	04/01/2019 09:55	04/01/2019 17:36	KML
7440-62-2	Vanadium	17.0		mg/kg dry	1.16	1	EPA 6010D Certifications: CTDOH,NELAC-NY10854,NJDEP,PADEP	04/01/2019 09:55	04/01/2019 17:36	KML
7440-66-6	Zinc	69.6		mg/kg dry	2.89	1	EPA 6010D Certifications: CTDOH,NELAC-NY10854,NJDEP,PADEP	04/01/2019 09:55	04/01/2019 17:36	KML

**Metals, TCLP RCRA**

**Log-in Notes:**

**Sample Notes:**

Sample Prepared by Method: EPA 3015A/1311

CAS No.	Parameter	Result	Flag	Units	Reported to LOQ	Dilution	Reference Method	Date/Time Prepared	Date/Time Analyzed	Analyst
7440-38-2	Arsenic	ND		mg/L	0.375	1	EPA 6010D/1311 Certifications: CTDOH,NELAC-NY10854,NJDEP,PADEP	04/02/2019 14:34	04/02/2019 17:32	KML
7440-39-3	Barium	ND		mg/L	0.625	1	EPA 6010D/1311 Certifications: CTDOH,NELAC-NY10854,NJDEP,PADEP	04/02/2019 14:34	04/02/2019 17:32	KML
7440-43-9	Cadmium	ND		mg/L	0.075	1	EPA 6010D/1311 Certifications: CTDOH,NELAC-NY10854,NJDEP,PADEP	04/02/2019 14:34	04/02/2019 17:32	KML



### Sample Information

**Client Sample ID:** PD1-Composite 2 (8-12)

**York Sample ID:** 19C1272-33

York Project (SDG) No.

Client Project ID

Matrix

Collection Date/Time

Date Received

19C1272

1602600 Former Safety Kleen

Soil

March 29, 2019 10:35 am

03/29/2019

**Metals, TCLP RCRA**

**Log-in Notes:**

**Sample Notes:**

Sample Prepared by Method: EPA 3015A/1311

CAS No.	Parameter	Result	Flag	Units	Reported to LOQ	Dilution	Reference Method	Date/Time Prepared	Date/Time Analyzed	Analyst
7440-47-3	Chromium	ND		mg/L	0.125	1	EPA 6010D/1311 Certifications: CTDOH,NELAC-NY10854,NJDEP,PADEP	04/02/2019 14:34	04/02/2019 17:32	KML
7439-92-1	Lead	ND		mg/L	0.125	1	EPA 6010D/1311 Certifications: CTDOH,NELAC-NY10854,NJDEP,PADEP	04/02/2019 14:34	04/02/2019 17:32	KML
7782-49-2	Selenium	ND		mg/L	0.625	1	EPA 6010D/1311 Certifications: CTDOH,NELAC-NY10854,NJDEP,PADEP	04/02/2019 14:34	04/02/2019 17:32	KML
7440-22-4	Silver	ND		mg/L	0.125	1	EPA 6010D/1311 Certifications: CTDOH,NELAC-NY10854,NJDEP,PADEP	04/02/2019 14:34	04/02/2019 17:32	KML

**Mercury by 7473**

**Log-in Notes:**

**Sample Notes:**

Sample Prepared by Method: EPA 7473 soil

CAS No.	Parameter	Result	Flag	Units	Reported to LOQ	Dilution	Reference Method	Date/Time Prepared	Date/Time Analyzed	Analyst
7439-97-6	Mercury	ND		mg/kg dry	0.0347	1	EPA 7473 Certifications: CTDOH,NJDEP,NELAC-NY10854,PADEP	04/04/2019 09:05	04/04/2019 13:55	SY

**Mercury TCLP by 7473**

**Log-in Notes:**

**Sample Notes:**

Sample Prepared by Method: EPA 7473 water

CAS No.	Parameter	Result	Flag	Units	Reported to LOQ	Dilution	Reference Method	Date/Time Prepared	Date/Time Analyzed	Analyst
7439-97-6	Mercury	ND		mg/L	0.0002000	1	EPA 7473/1311 Certifications: CTDOH,NJDEP,PADEP,NELAC-NY10854	04/03/2019 09:03	04/03/2019 12:50	SY

**Ignitability**

**Log-in Notes:**

**Sample Notes:**

Sample Prepared by Method: Analysis Preparation

CAS No.	Parameter	Result	Flag	Units	Reported to LOQ	Dilution	Reference Method	Date/Time Prepared	Date/Time Analyzed	Analyst
	* Ignitability	Non-Ignit.		-	1	1	EPA 1030P Certifications:	03/29/2019 16:33	04/01/2019 15:37	AA

**Total Solids**

**Log-in Notes:**

**Sample Notes:**

Sample Prepared by Method: % Solids Prep

CAS No.	Parameter	Result	Flag	Units	Reported to LOQ	Dilution	Reference Method	Date/Time Prepared	Date/Time Analyzed	Analyst
solids	* % Solids	86.5		%	0.100	1	SM 2540G Certifications: CTDOH	04/05/2019 09:50	04/05/2019 15:50	BML

**Corrosivity by SM 4500/EPA 9045D**

**Log-in Notes:**

**Sample Notes:**

Sample Prepared by Method: Analysis Preparation

CAS No.	Parameter	Result	Flag	Units	Reported to LOQ	Dilution	Reference Method	Date/Time Prepared	Date/Time Analyzed	Analyst
	pH	8.60	HT-01	pH units	0.500	1	EPA 9045D Certifications: NELAC-NY10854,CTDOH,PADEP	04/04/2019 16:51	04/05/2019 10:55	TJM



**Sample Information**

**Client Sample ID:** PD1-Composite 2 (8-12)

**York Sample ID:** 19C1272-33

<u>York Project (SDG) No.</u> 19C1272	<u>Client Project ID</u> 1602600 Former Safety Kleen	<u>Matrix</u> Soil	<u>Collection Date/Time</u> March 29, 2019 10:35 am	<u>Date Received</u> 03/29/2019
--	---	-----------------------	--	------------------------------------

**Reactivity-Cyanide**

**Log-in Notes:**

**Sample Notes:**

Sample Prepared by Method: Analysis Preparation

CAS No.	Parameter	Result	Flag	Units	Reported to LOQ	Dilution	Reference Method	Date/Time Prepared	Date/Time Analyzed	Analyst
* Reactivity - Cyanide		ND		mg/kg	0.250	1	EPA SW-846 Ch.7.3.3 Certifications: CTDOH,PADEP	04/04/2019 10:51	04/04/2019 15:07	JTV

**Reactivity-Sulfide**

**Log-in Notes:**

**Sample Notes:**

Sample Prepared by Method: Analysis Preparation

CAS No.	Parameter	Result	Flag	Units	Reported to LOQ	Dilution	Reference Method	Date/Time Prepared	Date/Time Analyzed	Analyst
* Reactivity - Sulfide		16.0		mg/kg	15.0	1	EPA SW-846 Ch.7.3.4 Certifications: CTDOH,PADEP	04/04/2019 10:54	04/04/2019 15:39	JTV

**TCLP Extraction for METALS EPA 1311**

**Log-in Notes:**

**Sample Notes:** EXT-Temp

Sample Prepared by Method: EPA SW 846-1311 TCLP ext. for metals

CAS No.	Parameter	Result	Flag	Units	Reported to LOQ	Dilution	Reference Method	Date/Time Prepared	Date/Time Analyzed	Analyst
TCLP Extraction		Completed		N/A	1.00	1	EPA 1311 Certifications: NELAC-NY10854,CTDOH,NJDEP,PADEP	04/01/2019 18:11	04/02/2019 10:31	TAJ

**TCLP Extraction for SVOCS/PEST/HERB**

**Log-in Notes:**

**Sample Notes:** EXT-Temp

Sample Prepared by Method: EPA SW 846-1311 TCLP ext. for SVOA/PEST/HERBS

CAS No.	Parameter	Result	Flag	Units	Reported to LOQ	Dilution	Reference Method	Date/Time Prepared	Date/Time Analyzed	Analyst
TCLP Extraction		Completed		N/A	1.00	1	EPA 1311 Certifications: NELAC-NY10854,CTDOH,NJDEP,PADEP	04/01/2019 15:31	04/02/2019 12:30	TAJ

**Temperature**

**Log-in Notes:**

**Sample Notes:**

Sample Prepared by Method: Analysis Preparation

CAS No.	Parameter	Result	Flag	Units	Reported to LOQ	Dilution	Reference Method	Date/Time Prepared	Date/Time Analyzed	Analyst
* Temperature		21.9	HT-01	°C	1.00	1	EPA 170.1 Certifications:	04/04/2019 16:51	04/05/2019 10:55	TJM



## Analytical Batch Summary

**Batch ID:** BC91571      **Preparation Method:** Analysis Preparation      **Prepared By:** AA

YORK Sample ID	Client Sample ID	Preparation Date
19C1272-32	PD1-Composite 1 (0-8)	03/29/19
19C1272-33	PD1-Composite 2 (8-12)	03/29/19

**Batch ID:** BD90028      **Preparation Method:** EPA 3050B      **Prepared By:** SY

YORK Sample ID	Client Sample ID	Preparation Date
19C1272-32	PD1-Composite 1 (0-8)	04/01/19
19C1272-33	PD1-Composite 2 (8-12)	04/01/19
BD90028-BLK1	Blank	04/01/19

**Batch ID:** BD90059      **Preparation Method:** EPA SW 846-1311 TCLP extr. for SV(      **Prepared By:** TAJ

YORK Sample ID	Client Sample ID	Preparation Date
19C1272-32	PD1-Composite 1 (0-8)	04/01/19
19C1272-33	PD1-Composite 2 (8-12)	04/01/19
BD90059-BLK1	Blank	04/01/19

**Batch ID:** BD90070      **Preparation Method:** EPA SW 846-1311 TCLP ext. for met      **Prepared By:** TAJ

YORK Sample ID	Client Sample ID	Preparation Date
19C1272-32	PD1-Composite 1 (0-8)	04/01/19
19C1272-33	PD1-Composite 2 (8-12)	04/01/19
BD90070-BLK1	Blank	04/01/19

**Batch ID:** BD90077      **Preparation Method:** EPA 5035A      **Prepared By:** TMP

YORK Sample ID	Client Sample ID	Preparation Date
19C1272-17	PD1-SB-107 (0-4') Grab	04/02/19
19C1272-19	PD1-SB-104 (4-7.5') Grab	04/02/19
19C1272-20	PD1-SB-104 (7.5-8.5') Grab	04/02/19
BD90077-BLK1	Blank	04/02/19
BD90077-BS1	LCS	04/02/19
BD90077-BSD1	LCS Dup	04/02/19

**Batch ID:** BD90132      **Preparation Method:** EPA 3015A/1311      **Prepared By:** SY

YORK Sample ID	Client Sample ID	Preparation Date
19C1272-32	PD1-Composite 1 (0-8)	04/02/19
19C1272-33	PD1-Composite 2 (8-12)	04/02/19
BD90132-BLK1	Blank	04/02/19
BD90132-BS1	LCS	04/02/19
BD90132-LBK1	Leach Fluid Blank	04/02/19



**Batch ID:** BD90137

**Preparation Method:** EPA 3510C/1311

**Prepared By:** MAM

YORK Sample ID	Client Sample ID	Preparation Date
19C1272-32	PD1-Composite 1 (0-8)	04/02/19
19C1272-33	PD1-Composite 2 (8-12)	04/02/19
BD90137-BLK1	Blank	04/02/19
BD90137-BS1	LCS	04/02/19
BD90137-BSD1	LCS Dup	04/02/19
BD90137-DUP1	Duplicate	04/02/19
BD90137-LBK1	Leach Fluid Blank	04/02/19

**Batch ID:** BD90138

**Preparation Method:** EPA 3510C/1311

**Prepared By:** MAM

YORK Sample ID	Client Sample ID	Preparation Date
19C1272-32	PD1-Composite 1 (0-8)	04/02/19
19C1272-33	PD1-Composite 2 (8-12)	04/02/19
BD90138-BLK1	Blank	04/02/19
BD90138-BS1	LCS	04/02/19
BD90138-BSD1	LCS Dup	04/02/19
BD90138-DUP1	Duplicate	04/02/19
BD90138-LBK1	Leach Fluid Blank	04/02/19

**Batch ID:** BD90169

**Preparation Method:** EPA 7473 water

**Prepared By:** SY

YORK Sample ID	Client Sample ID	Preparation Date
19C1272-32	PD1-Composite 1 (0-8)	04/03/19
19C1272-33	PD1-Composite 2 (8-12)	04/03/19
BD90169-BLK1	Blank	04/03/19
BD90169-LBK1	Leach Fluid Blank	04/03/19
BD90169-SRM1	Reference	04/03/19

**Batch ID:** BD90180

**Preparation Method:** EPA 5035A

**Prepared By:** LLJ

YORK Sample ID	Client Sample ID	Preparation Date
19C1272-25	PD1-SB-108 (4-7.5') Grab	04/02/19
19C1272-26	PD1-SB-108 (7.5-8.5') Grab	04/02/19
19C1272-27	PD1-SB-108 (8.5-9.5') Grab	04/02/19
19C1272-28	PD1-SB-108 (9.5-12') Grab	04/02/19
19C1272-29	DUP-2 Grab	04/02/19
19C1272-30	PD1-SB-109 (0-4') Grab	04/02/19
BD90180-BLK1	Blank	04/02/19
BD90180-BS1	LCS	04/02/19
BD90180-BSD1	LCS Dup	04/02/19
BD90180-MS1	Matrix Spike	04/02/19
BD90180-MSD1	Matrix Spike Dup	04/02/19



**Batch ID:** BD90186

**Preparation Method:** EPA 5035A

**Prepared By:** TMP

YORK Sample ID	Client Sample ID	Preparation Date
19C1272-01	PD1-SB-105 (0-4') Grab	04/02/19
19C1272-02	PD1-SB-106 (0-4') Grab	04/02/19
19C1272-03	PD1-SB-106 (4-7.5') Grab	04/02/19
19C1272-05	PD1-SB-103 (0-4') Grab	04/02/19
19C1272-06	PD1-SB-103 (4-7.5') Grab	04/02/19
19C1272-09	PD1-SB-103 (9.5-12') Grab	04/02/19
19C1272-10	PD1-SB-102 (0-4') Grab	04/02/19
19C1272-12	DUP-1	04/02/19
19C1272-13	PD1-SB-102 (4.7-8.5') Grab	04/02/19
19C1272-14	PD1-SB-102 (8.5-9.5') Grab	04/02/19
19C1272-15	PD1-SB-102 (9.5-12') Grab	04/02/19
19C1272-16	PD1-SB-101 (0-4') Grab	04/02/19
BD90186-BLK1	Blank	04/02/19
BD90186-BS1	LCS	04/02/19
BD90186-BSD1	LCS Dup	04/02/19

**Batch ID:** BD90225

**Preparation Method:** EPA 5030B

**Prepared By:** LLJ

YORK Sample ID	Client Sample ID	Preparation Date
19C1272-23	FB-1	04/03/19
19C1272-31	FB-2	04/03/19
BD90225-BLK1	Blank	04/03/19
BD90225-BS1	LCS	04/02/19
BD90225-BSD1	LCS Dup	04/02/19

**Batch ID:** BD90240

**Preparation Method:** EPA 3550C

**Prepared By:** CTD

YORK Sample ID	Client Sample ID	Preparation Date
19C1272-32	PD1-Composite 1 (0-8)	04/04/19
19C1272-33	PD1-Composite 2 (8-12)	04/04/19
BD90240-BLK1	Blank	04/04/19
BD90240-BS1	LCS	04/04/19

**Batch ID:** BD90242

**Preparation Method:** EPA 3545A

**Prepared By:** SGM

YORK Sample ID	Client Sample ID	Preparation Date
19C1272-32	PD1-Composite 1 (0-8)	04/04/19
19C1272-33	PD1-Composite 2 (8-12)	04/04/19
BD90242-BLK1	Blank	04/04/19
BD90242-BS1	LCS	04/04/19
BD90242-BSD1	LCS Dup	04/04/19

**Batch ID:** BD90243

**Preparation Method:** EPA 3550C

**Prepared By:** LM

YORK Sample ID	Client Sample ID	Preparation Date
19C1272-32	PD1-Composite 1 (0-8)	04/04/19





19C1272-33	PD1-Composite 2 (8-12)	04/04/19
BD90243-BLK2	Blank	04/04/19
BD90243-BS2	LCS	04/04/19

**Batch ID:** BD90253                      **Preparation Method:** EPA 7473 soil                      **Prepared By:** SY

YORK Sample ID	Client Sample ID	Preparation Date
19C1272-32	PD1-Composite 1 (0-8)	04/04/19
19C1272-33	PD1-Composite 2 (8-12)	04/04/19
BD90253-BLK1	Blank	04/04/19
BD90253-DUP1	Duplicate	04/04/19
BD90253-MS1	Matrix Spike	04/04/19
BD90253-SRM1	Reference	04/04/19

**Batch ID:** BD90257                      **Preparation Method:** EPA 5035A                      **Prepared By:** TMP

YORK Sample ID	Client Sample ID	Preparation Date
19C1272-04	PD1-SB-106 (9.5-12') Grab	04/02/19
19C1272-08	PD1-SB-103 (8.5-9.5') Grab	04/02/19
19C1272-09RE1	PD1-SB-103 (9.5-12') Grab	04/02/19
19C1272-10RE1	PD1-SB-102 (0-4') Grab	04/02/19
19C1272-13RE1	PD1-SB-102 (4.7-8.5') Grab	04/02/19
19C1272-14RE1	PD1-SB-102 (8.5-9.5') Grab	04/02/19
19C1272-15RE1	PD1-SB-102 (9.5-12') Grab	04/02/19
BD90257-BLK1	Blank	04/02/19
BD90257-BS1	LCS	04/02/19
BD90257-BSD1	LCS Dup	04/02/19

**Batch ID:** BD90258                      **Preparation Method:** EPA 5035A                      **Prepared By:** TMP

YORK Sample ID	Client Sample ID	Preparation Date
19C1272-18	PD1-SB-104 (0-4') Grab	04/04/19
19C1272-24	PD1-SB-108 (0-4') Grab	04/04/19
BD90258-BLK1	Blank	04/02/19
BD90258-BS1	LCS	04/02/19
BD90258-BSD1	LCS Dup	04/02/19
BD90258-MS1	Matrix Spike	04/02/19
BD90258-MSD1	Matrix Spike Dup	04/02/19

**Batch ID:** BD90259                      **Preparation Method:** EPA 5035A                      **Prepared By:** TMP

YORK Sample ID	Client Sample ID	Preparation Date
19C1272-07	PD1-SB-103 (7.5-8.5') Grab	04/05/19
19C1272-11	PD1-SB-102 (7.5-8.5') Grab	04/02/19
19C1272-12RE1	DUP-1	04/02/19
19C1272-19RE1	PD1-SB-104 (4-7.5') Grab	04/02/19
19C1272-21	PD1-SB-104 (8.5-9.5') Grab	04/02/19
19C1272-22	PD1-SB-104 (9.5-12') Grab	04/02/19
BD90259-BLK1	Blank	04/05/19



BD90259-BS1 LCS 04/05/19  
BD90259-BSD1 LCS Dup 04/05/19

**Batch ID:** BD90273 **Preparation Method:** Analysis Preparation **Prepared By:** JTV

YORK Sample ID	Client Sample ID	Preparation Date
19C1272-32	PD1-Composite 1 (0-8)	04/04/19
19C1272-33	PD1-Composite 2 (8-12)	04/04/19
BD90273-BLK1	Blank	04/04/19

**Batch ID:** BD90274 **Preparation Method:** Analysis Preparation **Prepared By:** JTV

YORK Sample ID	Client Sample ID	Preparation Date
19C1272-32	PD1-Composite 1 (0-8)	04/04/19
19C1272-33	PD1-Composite 2 (8-12)	04/04/19
BD90274-BLK1	Blank	04/04/19

**Batch ID:** BD90302 **Preparation Method:** Analysis Preparation **Prepared By:** TJM

YORK Sample ID	Client Sample ID	Preparation Date
19C1272-32	PD1-Composite 1 (0-8)	04/04/19
19C1272-33	PD1-Composite 2 (8-12)	04/04/19

**Batch ID:** BD90333 **Preparation Method:** % Solids Prep **Prepared By:** BML

YORK Sample ID	Client Sample ID	Preparation Date
19C1272-32	PD1-Composite 1 (0-8)	04/05/19
19C1272-33	PD1-Composite 2 (8-12)	04/05/19

**Batch ID:** BD90352 **Preparation Method:** % Solids Prep **Prepared By:** AS

YORK Sample ID	Client Sample ID	Preparation Date
19C1272-01	PD1-SB-105 (0-4') Grab	04/04/19
19C1272-02	PD1-SB-106 (0-4') Grab	04/04/19
19C1272-03	PD1-SB-106 (4-7.5') Grab	04/04/19
19C1272-04	PD1-SB-106 (9.5-12') Grab	04/04/19
19C1272-05	PD1-SB-103 (0-4') Grab	04/04/19
19C1272-06	PD1-SB-103 (4-7.5') Grab	04/04/19
19C1272-07	PD1-SB-103 (7.5-8.5') Grab	04/04/19
19C1272-08	PD1-SB-103 (8.5-9.5') Grab	04/04/19
19C1272-09	PD1-SB-103 (9.5-12') Grab	04/04/19
19C1272-10	PD1-SB-102 (0-4') Grab	04/04/19
19C1272-11	PD1-SB-102 (7.5-8.5') Grab	04/04/19
19C1272-12	DUP-1	04/04/19
19C1272-13	PD1-SB-102 (4.7-8.5') Grab	04/04/19
19C1272-14	PD1-SB-102 (8.5-9.5') Grab	04/04/19
19C1272-15	PD1-SB-102 (9.5-12') Grab	04/04/19
19C1272-16	PD1-SB-101 (0-4') Grab	04/04/19



19C1272-17	PD1-SB-107 (0-4') Grab	04/04/19
19C1272-18	PD1-SB-104 (0-4') Grab	04/04/19
19C1272-19	PD1-SB-104 (4-7.5') Grab	04/04/19
19C1272-20	PD1-SB-104 (7.5-8.5') Grab	04/04/19
BD90352-DUP1	Duplicate	04/04/19

**Batch ID:** BD90353      **Preparation Method:** % Solids Prep      **Prepared By:** AS

YORK Sample ID	Client Sample ID	Preparation Date
19C1272-21	PD1-SB-104 (8.5-9.5') Grab	04/04/19
19C1272-22	PD1-SB-104 (9.5-12') Grab	04/04/19
19C1272-24	PD1-SB-108 (0-4') Grab	04/04/19
19C1272-25	PD1-SB-108 (4-7.5') Grab	04/04/19
19C1272-26	PD1-SB-108 (7.5-8.5') Grab	04/04/19
19C1272-27	PD1-SB-108 (8.5-9.5') Grab	04/04/19
19C1272-28	PD1-SB-108 (9.5-12') Grab	04/04/19
19C1272-29	DUP-2 Grab	04/04/19
19C1272-30	PD1-SB-109 (0-4') Grab	04/04/19
BD90353-DUP1	Duplicate	04/04/19



**Volatile Organic Compounds by GC/MS - Quality Control Data**  
**York Analytical Laboratories, Inc.**

Analyte	Result	Reporting Limit	Units	Spike Level	Source* Result	%REC	%REC Limits	Flag	RPD	RPD Limit	Flag
---------	--------	-----------------	-------	-------------	----------------	------	-------------	------	-----	-----------	------

**Batch BD90077 - EPA 5035A**

**Blank (BD90077-BLK1)**

Prepared & Analyzed: 04/02/2019

1,1,1,2-Tetrachloroethane	ND	5.0	ug/kg wet								
1,1,1-Trichloroethane	ND	5.0	"								
1,1,2,2-Tetrachloroethane	ND	5.0	"								
1,1,2-Trichloro-1,2,2-trifluoroethane (Freon 113)	ND	5.0	"								
1,1,2-Trichloroethane	ND	5.0	"								
1,1-Dichloroethane	ND	5.0	"								
1,1-Dichloroethylene	ND	5.0	"								
1,2,3-Trichlorobenzene	ND	5.0	"								
1,2,3-Trichloropropane	ND	5.0	"								
1,2,4-Trichlorobenzene	ND	5.0	"								
1,2,4-Trimethylbenzene	ND	5.0	"								
1,2-Dibromo-3-chloropropane	ND	5.0	"								
1,2-Dibromoethane	ND	5.0	"								
1,2-Dichlorobenzene	ND	5.0	"								
1,2-Dichloroethane	ND	5.0	"								
1,2-Dichloropropane	ND	5.0	"								
1,3,5-Trimethylbenzene	ND	5.0	"								
1,3-Dichlorobenzene	ND	5.0	"								
1,4-Dichlorobenzene	ND	5.0	"								
1,4-Dioxane	ND	100	"								
2-Butanone	ND	5.0	"								
2-Hexanone	ND	5.0	"								
4-Methyl-2-pentanone	ND	5.0	"								
Acetone	ND	10	"								
Acrolein	ND	10	"								
Acrylonitrile	ND	5.0	"								
Benzene	ND	5.0	"								
Bromochloromethane	ND	5.0	"								
Bromodichloromethane	ND	5.0	"								
Bromoform	ND	5.0	"								
Bromomethane	ND	5.0	"								
Carbon disulfide	ND	5.0	"								
Carbon tetrachloride	ND	5.0	"								
Chlorobenzene	ND	5.0	"								
Chloroethane	ND	5.0	"								
Chloroform	ND	5.0	"								
Chloromethane	2.5	5.0	"								
cis-1,2-Dichloroethylene	ND	5.0	"								
cis-1,3-Dichloropropylene	ND	5.0	"								
Cyclohexane	ND	5.0	"								
Dibromochloromethane	ND	5.0	"								
Dibromomethane	ND	5.0	"								
Dichlorodifluoromethane	ND	5.0	"								
Ethyl Benzene	ND	5.0	"								
Hexachlorobutadiene	ND	5.0	"								
Isopropylbenzene	ND	5.0	"								
Methyl acetate	ND	5.0	"								
Methyl tert-butyl ether (MTBE)	ND	5.0	"								
Methylcyclohexane	ND	5.0	"								
Methylene chloride	ND	10	"								



**Volatile Organic Compounds by GC/MS - Quality Control Data**

**York Analytical Laboratories, Inc.**

Analyte	Result	Reporting Limit	Units	Spike Level	Source* Result	%REC	%REC Limits	Flag	RPD	RPD Limit	Flag
---------	--------	-----------------	-------	-------------	----------------	------	-------------	------	-----	-----------	------

**Batch BD90077 - EPA 5035A**

**Blank (BD90077-BLK1)**

Prepared & Analyzed: 04/02/2019

n-Butylbenzene	ND	5.0	ug/kg wet								
n-Propylbenzene	ND	5.0	"								
o-Xylene	ND	5.0	"								
p- & m- Xylenes	ND	10	"								
p-Isopropyltoluene	ND	5.0	"								
sec-Butylbenzene	ND	5.0	"								
Styrene	ND	5.0	"								
tert-Butyl alcohol (TBA)	ND	5.0	"								
tert-Butylbenzene	ND	5.0	"								
Tetrachloroethylene	ND	5.0	"								
Toluene	ND	5.0	"								
trans-1,2-Dichloroethylene	ND	5.0	"								
trans-1,3-Dichloropropylene	ND	5.0	"								
trans-1,4-dichloro-2-butene	ND	5.0	"								
Trichloroethylene	ND	5.0	"								
Trichlorofluoromethane	ND	5.0	"								
Vinyl Chloride	ND	5.0	"								
Xylenes, Total	ND	15	"								
<i>Surrogate: Surr: 1,2-Dichloroethane-d4</i>	49.6		ug/L	50.0		99.2	77-125				
<i>Surrogate: Surr: Toluene-d8</i>	47.9		"	50.0		95.8	85-120				
<i>Surrogate: Surr: p-Bromofluorobenzene</i>	50.5		"	50.0		101	76-130				

**LCS (BD90077-BS1)**

Prepared & Analyzed: 04/02/2019

1,1,1,2-Tetrachloroethane	53		ug/L	50.0		107	75-129				
1,1,1-Trichloroethane	54		"	50.0		109	71-137				
1,1,2,2-Tetrachloroethane	52		"	50.0		105	79-129				
1,1,2-Trichloro-1,2,2-trifluoroethane (Freon 113)	53		"	50.0		105	58-146				
1,1,2-Trichloroethane	54		"	50.0		107	83-123				
1,1-Dichloroethane	52		"	50.0		105	75-130				
1,1-Dichloroethylene	49		"	50.0		98.9	64-137				
1,2,3-Trichlorobenzene	51		"	50.0		101	81-140				
1,2,3-Trichloropropane	50		"	50.0		99.4	81-126				
1,2,4-Trichlorobenzene	50		"	50.0		100	80-141				
1,2,4-Trimethylbenzene	49		"	50.0		98.5	84-125				
1,2-Dibromo-3-chloropropane	50		"	50.0		101	74-142				
1,2-Dibromoethane	54		"	50.0		108	86-123				
1,2-Dichlorobenzene	49		"	50.0		97.5	85-122				
1,2-Dichloroethane	51		"	50.0		101	71-133				
1,2-Dichloropropane	49		"	50.0		98.5	81-122				
1,3,5-Trimethylbenzene	57		"	50.0		114	82-126				
1,3-Dichlorobenzene	49		"	50.0		97.7	84-124				
1,4-Dichlorobenzene	49		"	50.0		97.1	84-124				
1,4-Dioxane	210		"	1050		20.0	10-228				
2-Butanone	46		"	50.0		91.0	58-147				
2-Hexanone	51		"	50.0		102	70-139				
4-Methyl-2-pentanone	54		"	50.0		107	72-132				
Acetone	42		"	50.0		83.9	36-155				
Acrolein	60		"	50.0		120	10-238				
Acrylonitrile	54		"	50.0		108	66-141				
Benzene	54		"	50.0		107	77-127				
Bromochloromethane	50		"	50.0		101	74-129				



**Volatile Organic Compounds by GC/MS - Quality Control Data**

**York Analytical Laboratories, Inc.**

Analyte	Result	Reporting	Spike	Source*	%REC	%REC	Limits	Flag	RPD	
		Limit							Units	Level

**Batch BD90077 - EPA 5035A**

**LCS (BD90077-BS1)**

Prepared & Analyzed: 04/02/2019

Bromodichloromethane	53		ug/L	50.0		107	81-124			
Bromoform	53		"	50.0		106	80-136			
Bromomethane	50		"	50.0		99.8	32-177			
Carbon disulfide	48		"	50.0		97.0	10-136			
Carbon tetrachloride	53		"	50.0		105	66-143			
Chlorobenzene	52		"	50.0		104	86-120			
Chloroethane	48		"	50.0		96.7	51-142			
Chloroform	54		"	50.0		107	76-131			
Chloromethane	43		"	50.0		86.3	49-132			
cis-1,2-Dichloroethylene	53		"	50.0		106	74-132			
cis-1,3-Dichloropropylene	52		"	50.0		104	81-129			
Cyclohexane	52		"	50.0		104	70-130			
Dibromochloromethane	56		"	50.0		111	10-200			
Dibromomethane	52		"	50.0		105	83-124			
Dichlorodifluoromethane	36		"	50.0		72.4	28-158			
Ethyl Benzene	53		"	50.0		105	84-125			
Hexachlorobutadiene	50		"	50.0		101	83-133			
Isopropylbenzene	50		"	50.0		99.9	81-127			
Methyl acetate	51		"	50.0		102	41-143			
Methyl tert-butyl ether (MTBE)	48		"	50.0		96.4	74-131			
Methylcyclohexane	53		"	50.0		106	70-130			
Methylene chloride	53		"	50.0		107	57-141			
n-Butylbenzene	52		"	50.0		104	80-130			
n-Propylbenzene	50		"	50.0		101	74-136			
o-Xylene	54		"	50.0		108	83-123			
p- & m- Xylenes	110		"	100		106	82-128			
p-Isopropyltoluene	51		"	50.0		103	85-125			
sec-Butylbenzene	52		"	50.0		104	83-125			
Styrene	54		"	50.0		109	86-126			
tert-Butyl alcohol (TBA)	150		"	250		61.8	70-130	Low Bias		
tert-Butylbenzene	50		"	50.0		100	80-127			
Tetrachloroethylene	48		"	50.0		96.9	80-129			
Toluene	52		"	50.0		104	85-121			
trans-1,2-Dichloroethylene	51		"	50.0		101	72-132			
trans-1,3-Dichloropropylene	51		"	50.0		103	78-132			
trans-1,4-dichloro-2-butene	53		"	50.0		105	75-135			
Trichloroethylene	51		"	50.0		103	84-123			
Trichlorofluoromethane	50		"	50.0		100	62-140			
Vinyl Chloride	46		"	50.0		92.1	52-130			
<i>Surrogate: Surr: 1,2-Dichloroethane-d4</i>	<i>50.0</i>		<i>"</i>	<i>50.0</i>		<i>100</i>	<i>77-125</i>			
<i>Surrogate: Surr: Toluene-d8</i>	<i>49.2</i>		<i>"</i>	<i>50.0</i>		<i>98.4</i>	<i>85-120</i>			
<i>Surrogate: Surr: p-Bromofluorobenzene</i>	<i>49.9</i>		<i>"</i>	<i>50.0</i>		<i>99.7</i>	<i>76-130</i>			



Volatile Organic Compounds by GC/MS - Quality Control Data

York Analytical Laboratories, Inc.

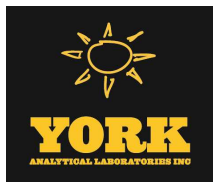
Analyte	Result	Reporting Limit	Units	Spike Level	Source* Result	%REC	%REC Limits	Flag	RPD	RPD Limit	Flag
---------	--------	-----------------	-------	-------------	----------------	------	-------------	------	-----	-----------	------

Batch BD90077 - EPA 5035A

LCS Dup (BD90077-BSD1)

Prepared & Analyzed: 04/02/2019

1,1,1,2-Tetrachloroethane	58		ug/L	50.0		116	75-129		7.71	30	
1,1,1-Trichloroethane	58		"	50.0		117	71-137		7.52	30	
1,1,2,2-Tetrachloroethane	55		"	50.0		111	79-129		5.29	30	
1,1,2-Trichloro-1,2,2-trifluoroethane (Freon 113)	55		"	50.0		110	58-146		4.79	30	
1,1,2-Trichloroethane	55		"	50.0		110	83-123		2.32	30	
1,1-Dichloroethane	55		"	50.0		111	75-130		5.57	30	
1,1-Dichloroethylene	53		"	50.0		105	64-137		6.10	30	
1,2,3-Trichlorobenzene	54		"	50.0		108	81-140		6.21	30	
1,2,3-Trichloropropane	55		"	50.0		109	81-126		9.43	30	
1,2,4-Trichlorobenzene	55		"	50.0		109	80-141		8.68	30	
1,2,4-Trimethylbenzene	52		"	50.0		105	84-125		6.10	30	
1,2-Dibromo-3-chloropropane	56		"	50.0		112	74-142		10.5	30	
1,2-Dibromoethane	55		"	50.0		110	86-123		2.30	30	
1,2-Dichlorobenzene	52		"	50.0		104	85-122		6.36	30	
1,2-Dichloroethane	56		"	50.0		111	71-133		9.13	30	
1,2-Dichloropropane	52		"	50.0		103	81-122		4.62	30	
1,3,5-Trimethylbenzene	61		"	50.0		122	82-126		7.05	30	
1,3-Dichlorobenzene	52		"	50.0		105	84-124		7.01	30	
1,4-Dichlorobenzene	53		"	50.0		106	84-124		8.62	30	
1,4-Dioxane	200		"	1050		19.0	10-228		5.09	30	
2-Butanone	48		"	50.0		96.4	58-147		5.72	30	
2-Hexanone	55		"	50.0		110	70-139		8.07	30	
4-Methyl-2-pentanone	56		"	50.0		111	72-132		3.61	30	
Acetone	44		"	50.0		87.4	36-155		4.13	30	
Acrolein	64		"	50.0		128	10-238		6.03	30	
Acrylonitrile	55		"	50.0		109	66-141		0.882	30	
Benzene	58		"	50.0		115	77-127		7.20	30	
Bromochloromethane	54		"	50.0		109	74-129		7.90	30	
Bromodichloromethane	55		"	50.0		109	81-124		2.26	30	
Bromoform	56		"	50.0		111	80-136		4.97	30	
Bromomethane	60		"	50.0		121	32-177		19.1	30	
Carbon disulfide	55		"	50.0		109	10-136		11.7	30	
Carbon tetrachloride	56		"	50.0		111	66-143		5.37	30	
Chlorobenzene	54		"	50.0		108	86-120		3.47	30	
Chloroethane	50		"	50.0		100	51-142		3.76	30	
Chloroform	58		"	50.0		117	76-131		8.91	30	
Chloromethane	54		"	50.0		108	49-132		21.9	30	
cis-1,2-Dichloroethylene	56		"	50.0		111	74-132		4.60	30	
cis-1,3-Dichloropropylene	54		"	50.0		109	81-129		4.64	30	
Cyclohexane	55		"	50.0		111	70-130		6.54	30	
Dibromochloromethane	59		"	50.0		118	10-200		5.78	30	
Dibromomethane	54		"	50.0		108	83-124		3.17	30	
Dichlorodifluoromethane	37		"	50.0		74.0	28-158		2.30	30	
Ethyl Benzene	55		"	50.0		109	84-125		3.58	30	
Hexachlorobutadiene	54		"	50.0		108	83-133		7.24	30	
Isopropylbenzene	53		"	50.0		107	81-127		6.62	30	
Methyl acetate	55		"	50.0		111	41-143		7.83	30	
Methyl tert-butyl ether (MTBE)	53		"	50.0		107	74-131		10.3	30	
Methylcyclohexane	54		"	50.0		109	70-130		2.33	30	
Methylene chloride	57		"	50.0		115	57-141		7.06	30	
n-Butylbenzene	51		"	50.0		103	80-130		1.12	30	



**Volatile Organic Compounds by GC/MS - Quality Control Data**

**York Analytical Laboratories, Inc.**

Analyte	Result	Reporting Limit	Units	Spike Level	Source* Result	%REC	%REC Limits	Flag	RPD	RPD Limit	Flag
---------	--------	-----------------	-------	-------------	----------------	------	-------------	------	-----	-----------	------

**Batch BD90077 - EPA 5035A**

**LCS Dup (BD90077-BSD1)**

Prepared & Analyzed: 04/02/2019

n-Propylbenzene	54		ug/L	50.0		108	74-136		6.70	30	
o-Xylene	56		"	50.0		111	83-123		3.25	30	
p- & m- Xylenes	110		"	100		111	82-128		4.74	30	
p-Isopropyltoluene	55		"	50.0		110	85-125		6.32	30	
sec-Butylbenzene	56		"	50.0		113	83-125		8.03	30	
Styrene	57		"	50.0		114	86-126		4.80	30	
tert-Butyl alcohol (TBA)	150		"	250		59.1	70-130	Low Bias	4.54	30	
tert-Butylbenzene	54		"	50.0		107	80-127		6.66	30	
Tetrachloroethylene	50		"	50.0		100	80-129		3.41	30	
Toluene	54		"	50.0		109	85-121		4.38	30	
trans-1,2-Dichloroethylene	54		"	50.0		108	72-132		6.71	30	
trans-1,3-Dichloropropylene	55		"	50.0		110	78-132		6.99	30	
trans-1,4-dichloro-2-butene	56		"	50.0		112	75-135		5.81	30	
Trichloroethylene	52		"	50.0		105	84-123		1.95	30	
Trichlorofluoromethane	54		"	50.0		109	62-140		7.97	30	
Vinyl Chloride	51		"	50.0		101	52-130		9.49	30	

Surrogate: SURR: 1,2-Dichloroethane-d4

50.4

"

50.0

101

77-125

Surrogate: SURR: Toluene-d8

49.7

"

50.0

99.4

85-120

Surrogate: SURR: p-Bromofluorobenzene

49.9

"

50.0

99.8

76-130

**Batch BD90180 - EPA 5035A**

**Blank (BD90180-BLK1)**

Prepared & Analyzed: 04/02/2019

1,1,1,2-Tetrachloroethane	ND	5.0	ug/kg wet								
1,1,1-Trichloroethane	ND	5.0	"								
1,1,2,2-Tetrachloroethane	ND	5.0	"								
1,1,2-Trichloro-1,2,2-trifluoroethane (Freon 113)	ND	5.0	"								
1,1,2-Trichloroethane	ND	5.0	"								
1,1-Dichloroethane	ND	5.0	"								
1,1-Dichloroethylene	ND	5.0	"								
1,2,3-Trichlorobenzene	ND	5.0	"								
1,2,3-Trichloropropane	ND	5.0	"								
1,2,4-Trichlorobenzene	ND	5.0	"								
1,2,4-Trimethylbenzene	ND	5.0	"								
1,2-Dibromo-3-chloropropane	ND	5.0	"								
1,2-Dibromoethane	ND	5.0	"								
1,2-Dichlorobenzene	ND	5.0	"								
1,2-Dichloroethane	ND	5.0	"								
1,2-Dichloropropane	ND	5.0	"								
1,3,5-Trimethylbenzene	ND	5.0	"								
1,3-Dichlorobenzene	ND	5.0	"								
1,4-Dichlorobenzene	ND	5.0	"								
1,4-Dioxane	ND	100	"								
2-Butanone	ND	5.0	"								
2-Hexanone	ND	5.0	"								
4-Methyl-2-pentanone	ND	5.0	"								
Acetone	ND	10	"								
Acrolein	ND	10	"								
Acrylonitrile	ND	5.0	"								
Benzene	ND	5.0	"								
Bromochloromethane	ND	5.0	"								





**Volatile Organic Compounds by GC/MS - Quality Control Data**

**York Analytical Laboratories, Inc.**

Analyte	Result	Reporting	Units	Spike	Source*	%REC	%REC	Limits	Flag	RPD	RPD	Limit	Flag
		Limit			Result					Limit			

**Batch BD90180 - EPA 5035A**

**Blank (BD90180-BLK1)**

Prepared & Analyzed: 04/02/2019

Bromodichloromethane	ND	5.0	ug/kg wet										
Bromoform	ND	5.0	"										
Bromomethane	ND	5.0	"										
Carbon disulfide	ND	5.0	"										
Carbon tetrachloride	ND	5.0	"										
Chlorobenzene	ND	5.0	"										
Chloroethane	ND	5.0	"										
Chloroform	ND	5.0	"										
Chloromethane	ND	5.0	"										
cis-1,2-Dichloroethylene	ND	5.0	"										
cis-1,3-Dichloropropylene	ND	5.0	"										
Cyclohexane	ND	5.0	"										
Dibromochloromethane	ND	5.0	"										
Dibromomethane	ND	5.0	"										
Dichlorodifluoromethane	ND	5.0	"										
Ethyl Benzene	ND	5.0	"										
Hexachlorobutadiene	ND	5.0	"										
Isopropylbenzene	ND	5.0	"										
Methyl acetate	ND	5.0	"										
Methyl tert-butyl ether (MTBE)	ND	5.0	"										
Methylcyclohexane	ND	5.0	"										
Methylene chloride	ND	10	"										
n-Butylbenzene	ND	5.0	"										
n-Propylbenzene	ND	5.0	"										
o-Xylene	ND	5.0	"										
p- & m- Xylenes	ND	10	"										
p-Isopropyltoluene	ND	5.0	"										
sec-Butylbenzene	ND	5.0	"										
Styrene	ND	5.0	"										
tert-Butyl alcohol (TBA)	ND	5.0	"										
tert-Butylbenzene	ND	5.0	"										
Tetrachloroethylene	4.6	5.0	"										
Toluene	ND	5.0	"										
trans-1,2-Dichloroethylene	ND	5.0	"										
trans-1,3-Dichloropropylene	ND	5.0	"										
trans-1,4-dichloro-2-butene	ND	5.0	"										
Trichloroethylene	ND	5.0	"										
Trichlorofluoromethane	ND	5.0	"										
Vinyl Chloride	ND	5.0	"										
Xylenes, Total	ND	15	"										
<i>Surrogate: SURR: 1,2-Dichloroethane-d4</i>	55.8		ug/L	50.0		112		77-125					
<i>Surrogate: SURR: Toluene-d8</i>	49.7		"	50.0		99.5		85-120					
<i>Surrogate: SURR: p-Bromofluorobenzene</i>	55.8		"	50.0		112		76-130					



Volatile Organic Compounds by GC/MS - Quality Control Data

York Analytical Laboratories, Inc.

Analyte	Result	Reporting Limit	Units	Spike Level	Source* Result	%REC	%REC Limits	Flag	RPD	RPD Limit	Flag
---------	--------	-----------------	-------	-------------	----------------	------	-------------	------	-----	-----------	------

Batch BD90180 - EPA 5035A

LCS (BD90180-BS1)

Prepared & Analyzed: 04/02/2019

1,1,1,2-Tetrachloroethane	53		ug/L	50.0		106	75-129				
1,1,1-Trichloroethane	62		"	50.0		123	71-137				
1,1,2,2-Tetrachloroethane	56		"	50.0		112	79-129				
1,1,2-Trichloro-1,2,2-trifluoroethane (Freon 113)	58		"	50.0		115	58-146				
1,1,2-Trichloroethane	52		"	50.0		105	83-123				
1,1-Dichloroethane	55		"	50.0		111	75-130				
1,1-Dichloroethylene	55		"	50.0		110	64-137				
1,2,3-Trichlorobenzene	50		"	50.0		100	81-140				
1,2,3-Trichloropropane	59		"	50.0		118	81-126				
1,2,4-Trichlorobenzene	47		"	50.0		94.5	80-141				
1,2,4-Trimethylbenzene	51		"	50.0		102	84-125				
1,2-Dibromo-3-chloropropane	56		"	50.0		111	74-142				
1,2-Dibromoethane	54		"	50.0		109	86-123				
1,2-Dichlorobenzene	49		"	50.0		98.8	85-122				
1,2-Dichloroethane	60		"	50.0		120	71-133				
1,2-Dichloropropane	52		"	50.0		105	81-122				
1,3,5-Trimethylbenzene	59		"	50.0		118	82-126				
1,3-Dichlorobenzene	49		"	50.0		97.4	84-124				
1,4-Dichlorobenzene	47		"	50.0		93.1	84-124				
1,4-Dioxane	230		"	1050		22.3	10-228				
2-Butanone	52		"	50.0		103	58-147				
2-Hexanone	53		"	50.0		106	70-139				
4-Methyl-2-pentanone	55		"	50.0		110	72-132				
Acetone	41		"	50.0		82.2	36-155				
Acrolein	66		"	50.0		132	10-238				
Acrylonitrile	56		"	50.0		112	66-141				
Benzene	55		"	50.0		109	77-127				
Bromochloromethane	57		"	50.0		113	74-129				
Bromodichloromethane	56		"	50.0		113	81-124				
Bromoform	56		"	50.0		113	80-136				
Bromomethane	81		"	50.0		162	32-177				
Carbon disulfide	52		"	50.0		105	10-136				
Carbon tetrachloride	59		"	50.0		117	66-143				
Chlorobenzene	51		"	50.0		102	86-120				
Chloroethane	74		"	50.0		148	51-142	High Bias			
Chloroform	59		"	50.0		117	76-131				
Chloromethane	49		"	50.0		97.3	49-132				
cis-1,2-Dichloroethylene	54		"	50.0		108	74-132				
cis-1,3-Dichloropropylene	51		"	50.0		102	81-129				
Cyclohexane	54		"	50.0		108	70-130				
Dibromochloromethane	56		"	50.0		112	10-200				
Dibromomethane	55		"	50.0		110	83-124				
Dichlorodifluoromethane	37		"	50.0		74.1	28-158				
Ethyl Benzene	53		"	50.0		106	84-125				
Hexachlorobutadiene	50		"	50.0		101	83-133				
Isopropylbenzene	53		"	50.0		107	81-127				
Methyl acetate	53		"	50.0		106	41-143				
Methyl tert-butyl ether (MTBE)	55		"	50.0		109	74-131				
Methylcyclohexane	50		"	50.0		99.8	70-130				
Methylene chloride	59		"	50.0		117	57-141				
n-Butylbenzene	53		"	50.0		105	80-130				



Volatile Organic Compounds by GC/MS - Quality Control Data

York Analytical Laboratories, Inc.

Analyte	Result	Reporting Limit	Units	Spike Level	Source* Result	%REC	%REC Limits	Flag	RPD	RPD Limit	Flag
---------	--------	-----------------	-------	-------------	----------------	------	-------------	------	-----	-----------	------

Batch BD90180 - EPA 5035A

LCS (BD90180-BS1)

Prepared & Analyzed: 04/02/2019

n-Propylbenzene	53		ug/L	50.0		105	74-136				
o-Xylene	52		"	50.0		104	83-123				
p- & m- Xylenes	100		"	100		104	82-128				
p-Isopropyltoluene	52		"	50.0		103	85-125				
sec-Butylbenzene	54		"	50.0		108	83-125				
Styrene	52		"	50.0		103	86-126				
tert-Butyl alcohol (TBA)	290		"	250		115	70-130				
tert-Butylbenzene	51		"	50.0		102	80-127				
Tetrachloroethylene	56		"	50.0		112	80-129				
Toluene	50		"	50.0		101	85-121				
trans-1,2-Dichloroethylene	54		"	50.0		107	72-132				
trans-1,3-Dichloropropylene	51		"	50.0		102	78-132				
trans-1,4-dichloro-2-butene	53		"	50.0		106	75-135				
Trichloroethylene	54		"	50.0		107	84-123				
Trichlorofluoromethane	66		"	50.0		133	62-140				
Vinyl Chloride	54		"	50.0		109	52-130				
Surrogate: SURR: 1,2-Dichloroethane-d4	54.3		"	50.0		109	77-125				
Surrogate: SURR: Toluene-d8	51.0		"	50.0		102	85-120				
Surrogate: SURR: p-Bromofluorobenzene	52.2		"	50.0		104	76-130				

LCS Dup (BD90180-BSD1)

Prepared & Analyzed: 04/02/2019

1,1,1,2-Tetrachloroethane	51		ug/L	50.0		103	75-129		3.56	30	
1,1,1-Trichloroethane	60		"	50.0		119	71-137		3.10	30	
1,1,2,2-Tetrachloroethane	55		"	50.0		111	79-129		0.666	30	
1,1,2-Trichloro-1,2,2-trifluoroethane (Freon 113)	56		"	50.0		112	58-146		2.57	30	
1,1,2-Trichloroethane	52		"	50.0		103	83-123		1.66	30	
1,1-Dichloroethane	54		"	50.0		109	75-130		2.00	30	
1,1-Dichloroethylene	53		"	50.0		106	64-137		4.23	30	
1,2,3-Trichlorobenzene	49		"	50.0		98.4	81-140		1.77	30	
1,2,3-Trichloropropane	58		"	50.0		116	81-126		2.04	30	
1,2,4-Trichlorobenzene	48		"	50.0		95.3	80-141		0.780	30	
1,2,4-Trimethylbenzene	50		"	50.0		101	84-125		1.28	30	
1,2-Dibromo-3-chloropropane	59		"	50.0		118	74-142		5.52	30	
1,2-Dibromoethane	54		"	50.0		108	86-123		0.922	30	
1,2-Dichlorobenzene	50		"	50.0		99.5	85-122		0.746	30	
1,2-Dichloroethane	59		"	50.0		117	71-133		1.82	30	
1,2-Dichloropropane	50		"	50.0		101	81-122		3.96	30	
1,3,5-Trimethylbenzene	58		"	50.0		117	82-126		1.13	30	
1,3-Dichlorobenzene	48		"	50.0		96.1	84-124		1.28	30	
1,4-Dichlorobenzene	47		"	50.0		94.1	84-124		1.00	30	
1,4-Dioxane	230		"	1050		21.9	10-228		1.71	30	
2-Butanone	51		"	50.0		103	58-147		0.349	30	
2-Hexanone	52		"	50.0		103	70-139		2.33	30	
4-Methyl-2-pentanone	54		"	50.0		109	72-132		1.26	30	
Acetone	40		"	50.0		79.7	36-155		3.14	30	
Acrolein	66		"	50.0		132	10-238		0.500	30	
Acrylonitrile	57		"	50.0		113	66-141		0.692	30	
Benzene	53		"	50.0		106	77-127		2.93	30	
Bromochloromethane	56		"	50.0		111	74-129		1.82	30	
Bromodichloromethane	55		"	50.0		109	81-124		2.90	30	
Bromoform	56		"	50.0		112	80-136		1.03	30	



**Volatile Organic Compounds by GC/MS - Quality Control Data**  
**York Analytical Laboratories, Inc.**

Analyte	Result	Reporting Limit	Units	Spike Level	Source* Result	%REC	%REC Limits	Flag	RPD	RPD Limit	Flag
---------	--------	-----------------	-------	-------------	----------------	------	-------------	------	-----	-----------	------

**Batch BD90180 - EPA 5035A**

**LCS Dup (BD90180-BSD1)**

Prepared & Analyzed: 04/02/2019

Bromomethane	76		ug/L	50.0		153	32-177		5.98	30	
Carbon disulfide	51		"	50.0		102	10-136		2.82	30	
Carbon tetrachloride	57		"	50.0		114	66-143		2.98	30	
Chlorobenzene	50		"	50.0		99.1	86-120		2.73	30	
Chloroethane	72		"	50.0		144	51-142	High Bias	2.83	30	
Chloroform	57		"	50.0		114	76-131		3.31	30	
Chloromethane	48		"	50.0		95.1	49-132		2.29	30	
cis-1,2-Dichloroethylene	53		"	50.0		105	74-132		2.57	30	
cis-1,3-Dichloropropylene	49		"	50.0		99.0	81-129		3.30	30	
Cyclohexane	52		"	50.0		104	70-130		2.85	30	
Dibromochloromethane	54		"	50.0		108	10-200		3.76	30	
Dibromomethane	53		"	50.0		106	83-124		3.72	30	
Dichlorodifluoromethane	36		"	50.0		72.7	28-158		1.83	30	
Ethyl Benzene	51		"	50.0		102	84-125		3.98	30	
Hexachlorobutadiene	50		"	50.0		99.0	83-133		1.66	30	
Isopropylbenzene	52		"	50.0		105	81-127		1.87	30	
Methyl acetate	55		"	50.0		109	41-143		2.84	30	
Methyl tert-butyl ether (MTBE)	54		"	50.0		108	74-131		0.977	30	
Methylcyclohexane	49		"	50.0		97.3	70-130		2.58	30	
Methylene chloride	57		"	50.0		114	57-141		3.22	30	
n-Butylbenzene	49		"	50.0		98.7	80-130		6.25	30	
n-Propylbenzene	52		"	50.0		104	74-136		1.49	30	
o-Xylene	51		"	50.0		102	83-123		2.68	30	
p- & m- Xylenes	100		"	100		102	82-128		2.16	30	
p-Isopropyltoluene	51		"	50.0		101	85-125		1.90	30	
sec-Butylbenzene	53		"	50.0		105	83-125		2.68	30	
Styrene	50		"	50.0		100	86-126		2.88	30	
tert-Butyl alcohol (TBA)	290		"	250		117	70-130		1.80	30	
tert-Butylbenzene	49		"	50.0		98.9	80-127		3.48	30	
Tetrachloroethylene	53		"	50.0		105	80-129		6.52	30	
Toluene	49		"	50.0		97.5	85-121		3.53	30	
trans-1,2-Dichloroethylene	53		"	50.0		106	72-132		1.62	30	
trans-1,3-Dichloropropylene	50		"	50.0		101	78-132		0.970	30	
trans-1,4-dichloro-2-butene	52		"	50.0		105	75-135		1.03	30	
Trichloroethylene	52		"	50.0		104	84-123		2.93	30	
Trichlorofluoromethane	64		"	50.0		129	62-140		3.20	30	
Vinyl Chloride	53		"	50.0		107	52-130		1.72	30	
<i>Surrogate: SURRE: 1,2-Dichloroethane-d4</i>	<i>54.6</i>		<i>"</i>	<i>50.0</i>		<i>109</i>	<i>77-125</i>				
<i>Surrogate: SURRE: Toluene-d8</i>	<i>50.4</i>		<i>"</i>	<i>50.0</i>		<i>101</i>	<i>85-120</i>				
<i>Surrogate: SURRE: p-Bromofluorobenzene</i>	<i>52.6</i>		<i>"</i>	<i>50.0</i>		<i>105</i>	<i>76-130</i>				



**Volatile Organic Compounds by GC/MS - Quality Control Data**

**York Analytical Laboratories, Inc.**

Analyte	Result	Reporting		Spike	Source*		%REC	Limits	Flag	RPD	
		Limit	Units		Level	Result				%REC	RPD

**Batch BD90180 - EPA 5035A**

**Matrix Spike (BD90180-MS1)**      \*Source sample: 19C1272-28 (PD1-SB-108 (9.5-12') Grab)      Prepared: 04/02/2019 Analyzed: 04/03/2019

1,1,1,2-Tetrachloroethane	38		ug/L	50.0	0.0	76.6	15-161				
1,1,1-Trichloroethane	48		"	50.0	0.0	95.1	42-145				
1,1,2,2-Tetrachloroethane	37		"	50.0	0.0	73.6	16-167				
1,1,2-Trichloro-1,2,2-trifluoroethane (Freon 113)	49		"	50.0	0.0	98.2	11-160				
1,1,2-Trichloroethane	38		"	50.0	0.0	75.9	44-145				
1,1-Dichloroethane	44		"	50.0	0.0	87.5	46-142				
1,1-Dichloroethylene	44		"	50.0	0.0	88.5	30-153				
1,2,3-Trichlorobenzene	23		"	50.0	0.0	46.7	10-157				
1,2,3-Trichloropropane	43		"	50.0	0.0	85.7	38-155				
1,2,4-Trichlorobenzene	21		"	50.0	0.0	42.1	10-151				
1,2,4-Trimethylbenzene	35		"	50.0	0.0	69.4	10-170				
1,2-Dibromo-3-chloropropane	36		"	50.0	0.0	72.7	36-138				
1,2-Dibromoethane	38		"	50.0	0.0	75.2	40-142				
1,2-Dichlorobenzene	29		"	50.0	0.0	58.4	10-147				
1,2-Dichloroethane	42		"	50.0	0.0	84.6	48-133				
1,2-Dichloropropane	39		"	50.0	0.0	77.3	47-141				
1,3,5-Trimethylbenzene	39		"	50.0	0.0	78.5	10-150				
1,3-Dichlorobenzene	28		"	50.0	0.0	56.0	10-144				
1,4-Dichlorobenzene	27		"	50.0	0.0	53.2	10-160				
1,4-Dioxane	200		"	1050	0.0	19.2	10-191				
2-Butanone	43		"	50.0	0.0	86.0	10-189				
2-Hexanone	36		"	50.0	0.0	72.1	10-181				
4-Methyl-2-pentanone	40		"	50.0	0.0	80.2	10-166				
Acetone	35		"	50.0	0.0	69.7	10-196				
Acrolein	21		"	50.0	0.0	43.0	10-192				
Acrylonitrile	44		"	50.0	0.0	89.0	13-161				
Benzene	43		"	50.0	0.0	85.2	43-139				
Bromochloromethane	42		"	50.0	0.0	83.2	38-145				
Bromodichloromethane	40		"	50.0	0.0	79.6	38-147				
Bromoform	38		"	50.0	0.0	76.4	29-156				
Bromomethane	53		"	50.0	0.0	106	10-166				
Carbon disulfide	41		"	50.0	0.0	81.8	10-131				
Carbon tetrachloride	45		"	50.0	0.0	89.8	35-145				
Chlorobenzene	35		"	50.0	0.0	69.7	21-154				
Chloroethane	63		"	50.0	0.0	126	15-160				
Chloroform	43		"	50.0	0.0	86.9	47-142				
Chloromethane	45		"	50.0	0.0	90.9	10-159				
cis-1,2-Dichloroethylene	42		"	50.0	0.0	83.1	42-144				
cis-1,3-Dichloropropylene	34		"	50.0	0.0	68.4	18-159				
Cyclohexane	44		"	50.0	0.0	87.0	70-130				
Dibromochloromethane	39		"	50.0	0.0	77.8	10-179				
Dibromomethane	39		"	50.0	0.0	77.4	47-143				
Dichlorodifluoromethane	37		"	50.0	0.0	74.2	10-145				
Ethyl Benzene	38		"	50.0	0.0	75.1	11-158				
Hexachlorobutadiene	29		"	50.0	0.0	58.8	10-158				
Isopropylbenzene	38		"	50.0	0.0	76.6	10-162				
Methyl acetate	43		"	50.0	0.0	85.1	10-149				
Methyl tert-butyl ether (MTBE)	43		"	50.0	0.0	85.8	42-152				
Methylcyclohexane	39		"	50.0	0.0	77.6	70-130				
Methylene chloride	49		"	50.0	7.8	82.9	28-151				
n-Butylbenzene	37		"	50.0	0.0	74.1	10-162				



Volatile Organic Compounds by GC/MS - Quality Control Data

York Analytical Laboratories, Inc.

Analyte	Result	Reporting Limit	Units	Spike Level	Source* Result	%REC	%REC Limits	Flag	RPD	RPD Limit	Flag
---------	--------	-----------------	-------	-------------	----------------	------	-------------	------	-----	-----------	------

Batch BD90180 - EPA 5035A

Matrix Spike (BD90180-MS1)	*Source sample: 19C1272-28 (PD1-SB-108 (9.5-12') Grab)						Prepared: 04/02/2019 Analyzed: 04/03/2019				
n-Propylbenzene	35		ug/L	50.0	0.0	70.5	10-155				
o-Xylene	37		"	50.0	0.0	74.2	10-158				
p- & m- Xylenes	72		"	100	0.0	72.0	10-156				
p-Isopropyltoluene	34		"	50.0	0.0	67.2	10-147				
sec-Butylbenzene	37		"	50.0	0.0	73.8	10-157				
Styrene	33		"	50.0	0.0	66.5	13-171				
tert-Butyl alcohol (TBA)	240		"	250	0.0	94.5	34-179				
tert-Butylbenzene	37		"	50.0	0.0	74.6	10-160				
Tetrachloroethylene	190		"	50.0	37	303	30-167	High Bias			
Toluene	37		"	50.0	0.0	73.4	21-160				
trans-1,2-Dichloroethylene	41		"	50.0	0.0	81.1	29-153				
trans-1,3-Dichloropropylene	32		"	50.0	0.0	63.9	18-155				
trans-1,4-dichloro-2-butene	35		"	50.0	0.0	70.6	17-154				
Trichloroethylene	43		"	50.0	0.0	85.4	24-169				
Trichlorofluoromethane	53		"	50.0	0.0	105	35-142				
Vinyl Chloride	52		"	50.0	0.0	105	12-160				
Surrogate: SURRE: 1,2-Dichloroethane-d4	51.9		"	50.0		104	77-125				
Surrogate: SURRE: Toluene-d8	49.8		"	50.0		99.6	85-120				
Surrogate: SURRE: p-Bromofluorobenzene	53.2		"	50.0		106	76-130				

Matrix Spike Dup (BD90180-MSD1)	*Source sample: 19C1272-28 (PD1-SB-108 (9.5-12') Grab)						Prepared: 04/02/2019 Analyzed: 04/03/2019				
1,1,1,2-Tetrachloroethane	43		ug/L	50.0	0.0	85.3	15-161		10.7	33	
1,1,1-Trichloroethane	53		"	50.0	0.0	106	42-145		10.9	30	
1,1,2,2-Tetrachloroethane	41		"	50.0	0.0	82.2	16-167		11.0	56	
1,1,2-Trichloro-1,2,2-trifluoroethane (Freon 113)	53		"	50.0	0.0	107	11-160		8.26	31	
1,1,2-Trichloroethane	42		"	50.0	0.0	84.4	44-145		10.6	40	
1,1-Dichloroethane	48		"	50.0	0.0	95.1	46-142		8.37	36	
1,1-Dichloroethylene	48		"	50.0	0.0	96.8	30-153		8.94	31	
1,2,3-Trichlorobenzene	30		"	50.0	0.0	59.2	10-157		23.5	47	
1,2,3-Trichloropropane	48		"	50.0	0.0	95.4	38-155		10.8	48	
1,2,4-Trichlorobenzene	26		"	50.0	0.0	52.8	10-151		22.4	52	
1,2,4-Trimethylbenzene	39		"	50.0	0.0	77.8	10-170		11.5	242	
1,2-Dibromo-3-chloropropane	42		"	50.0	0.0	84.0	36-138		14.5	54	
1,2-Dibromoethane	42		"	50.0	0.0	84.4	40-142		11.4	39	
1,2-Dichlorobenzene	34		"	50.0	0.0	67.6	10-147		14.6	52	
1,2-Dichloroethane	47		"	50.0	0.0	93.9	48-133		10.4	32	
1,2-Dichloropropane	43		"	50.0	0.0	85.1	47-141		9.60	37	
1,3,5-Trimethylbenzene	45		"	50.0	0.0	89.6	10-150		13.2	62	
1,3-Dichlorobenzene	32		"	50.0	0.0	63.8	10-144		13.1	51	
1,4-Dichlorobenzene	30		"	50.0	0.0	60.9	10-160		13.5	52	
1,4-Dioxane	210		"	1050	0.0	19.6	10-191		2.19	196	
2-Butanone	49		"	50.0	0.0	97.7	10-189		12.7	67	
2-Hexanone	41		"	50.0	0.0	81.6	10-181		12.3	60	
4-Methyl-2-pentanone	45		"	50.0	0.0	89.8	10-166		11.4	47	
Acetone	37		"	50.0	0.0	73.9	10-196		5.88	150	
Acrolein	34		"	50.0	0.0	69.0	10-192		46.4	128	
Acrylonitrile	49		"	50.0	0.0	97.4	13-161		9.08	48	
Benzene	47		"	50.0	0.0	94.1	43-139		9.91	64	
Bromochloromethane	46		"	50.0	0.0	92.9	38-145		11.0	30	
Bromodichloromethane	44		"	50.0	0.0	88.9	38-147		11.0	37	
Bromoform	43		"	50.0	0.0	86.1	29-156		11.9	51	



**Volatile Organic Compounds by GC/MS - Quality Control Data**  
**York Analytical Laboratories, Inc.**

Analyte	Result	Reporting Limit	Units	Spike Level	Source* Result	%REC	%REC Limits	Flag	RPD	RPD Limit	Flag
<b>Batch BD90180 - EPA 5035A</b>											
<b>Matrix Spike Dup (BD90180-MSD1)</b>	*Source sample: 19C1272-28 (PD1-SB-108 (9.5-12') Grab)						Prepared: 04/02/2019 Analyzed: 04/03/2019				
Bromomethane	62		ug/L	50.0	0.0	123	10-166		15.0	42	
Carbon disulfide	45		"	50.0	0.0	90.7	10-131		10.3	36	
Carbon tetrachloride	50		"	50.0	0.0	99.2	35-145		9.90	31	
Chlorobenzene	38		"	50.0	0.0	76.9	21-154		9.91	32	
Chloroethane	66		"	50.0	0.0	133	15-160		5.41	40	
Chloroform	48		"	50.0	0.0	97.0	47-142		10.9	29	
Chloromethane	47		"	50.0	0.0	93.2	10-159		2.52	31	
cis-1,2-Dichloroethylene	45		"	50.0	0.0	90.4	42-144		8.32	30	
cis-1,3-Dichloropropylene	38		"	50.0	0.0	75.4	18-159		9.71	39	
Cyclohexane	49		"	50.0	0.0	97.7	70-130		11.6	30	
Dibromochloromethane	43		"	50.0	0.0	86.2	10-179		10.2	41	
Dibromomethane	43		"	50.0	0.0	86.5	47-143		11.2	41	
Dichlorodifluoromethane	40		"	50.0	0.0	79.9	10-145		7.42	34	
Ethyl Benzene	41		"	50.0	0.0	82.9	11-158		9.93	42	
Hexachlorobutadiene	38		"	50.0	0.0	76.2	10-158		25.7	45	
Isopropylbenzene	43		"	50.0	0.0	85.4	10-162		10.8	57	
Methyl acetate	51		"	50.0	0.0	102	10-149		17.6	64	
Methyl tert-butyl ether (MTBE)	49		"	50.0	0.0	97.3	42-152		12.5	47	
Methylcyclohexane	44		"	50.0	0.0	88.3	70-130		13.0	30	
Methylene chloride	55		"	50.0	7.8	93.5	28-151		12.1	49	
n-Butylbenzene	44		"	50.0	0.0	88.0	10-162		17.2	96	
n-Propylbenzene	40		"	50.0	0.0	79.9	10-155		12.6	56	
o-Xylene	41		"	50.0	0.0	82.4	10-158		10.5	51	
p- & m- Xylenes	80		"	100	0.0	80.3	10-156		10.8	47	
p-Isopropyltoluene	39		"	50.0	0.0	77.2	10-147		13.9	60	
sec-Butylbenzene	43		"	50.0	0.0	86.3	10-157		15.6	56	
Styrene	38		"	50.0	0.0	75.4	13-171		12.4	39	
tert-Butyl alcohol (TBA)	260		"	250	0.0	104	34-179		9.51	35	
tert-Butylbenzene	42		"	50.0	0.0	83.8	10-160		11.6	79	
Tetrachloroethylene	41		"	50.0	37	8.62	30-167	Low Bias	189	33	Non-dir.
Toluene	41		"	50.0	0.0	81.3	21-160		10.2	50	
trans-1,2-Dichloroethylene	45		"	50.0	0.0	89.4	29-153		9.71	30	
trans-1,3-Dichloropropylene	36		"	50.0	0.0	71.5	18-155		11.2	30	
trans-1,4-dichloro-2-butene	40		"	50.0	0.0	79.5	17-154		11.9	30	
Trichloroethylene	47		"	50.0	0.0	93.2	24-169		8.67	30	
Trichlorofluoromethane	59		"	50.0	0.0	119	35-142		12.0	30	
Vinyl Chloride	54		"	50.0	0.0	108	12-160		2.99	35	
Surrogate: SURRE: 1,2-Dichloroethane-d4	53.3		"	50.0		107	77-125				
Surrogate: SURRE: Toluene-d8	49.2		"	50.0		98.4	85-120				
Surrogate: SURRE: p-Bromofluorobenzene	52.3		"	50.0		105	76-130				



Volatile Organic Compounds by GC/MS - Quality Control Data

York Analytical Laboratories, Inc.

Analyte	Result	Reporting Limit	Units	Spike Level	Source* Result	%REC	%REC Limits	Flag	RPD	RPD Limit	Flag
---------	--------	-----------------	-------	-------------	----------------	------	-------------	------	-----	-----------	------

Batch BD90186 - EPA 5035A

Blank (BD90186-BLK1)

Prepared & Analyzed: 04/02/2019

1,1,1,2-Tetrachloroethane	ND	5.0	ug/kg wet								
1,1,1-Trichloroethane	ND	5.0	"								
1,1,2,2-Tetrachloroethane	ND	5.0	"								
1,1,2-Trichloro-1,2,2-trifluoroethane (Freon 113)	ND	5.0	"								
1,1,2-Trichloroethane	ND	5.0	"								
1,1-Dichloroethane	ND	5.0	"								
1,1-Dichloroethylene	ND	5.0	"								
1,2,3-Trichlorobenzene	ND	5.0	"								
1,2,3-Trichloropropane	ND	5.0	"								
1,2,4-Trichlorobenzene	ND	5.0	"								
1,2,4-Trimethylbenzene	ND	5.0	"								
1,2-Dibromo-3-chloropropane	ND	5.0	"								
1,2-Dibromoethane	ND	5.0	"								
1,2-Dichlorobenzene	ND	5.0	"								
1,2-Dichloroethane	ND	5.0	"								
1,2-Dichloropropane	ND	5.0	"								
1,3,5-Trimethylbenzene	ND	5.0	"								
1,3-Dichlorobenzene	ND	5.0	"								
1,4-Dichlorobenzene	ND	5.0	"								
1,4-Dioxane	ND	100	"								
2-Butanone	ND	5.0	"								
2-Hexanone	ND	5.0	"								
4-Methyl-2-pentanone	ND	5.0	"								
Acetone	ND	10	"								
Acrolein	ND	10	"								
Acrylonitrile	ND	5.0	"								
Benzene	ND	5.0	"								
Bromochloromethane	ND	5.0	"								
Bromodichloromethane	ND	5.0	"								
Bromoform	ND	5.0	"								
Bromomethane	ND	5.0	"								
Carbon disulfide	ND	5.0	"								
Carbon tetrachloride	ND	5.0	"								
Chlorobenzene	ND	5.0	"								
Chloroethane	ND	5.0	"								
Chloroform	ND	5.0	"								
Chloromethane	ND	5.0	"								
cis-1,2-Dichloroethylene	ND	5.0	"								
cis-1,3-Dichloropropylene	ND	5.0	"								
Cyclohexane	ND	5.0	"								
Dibromochloromethane	ND	5.0	"								
Dibromomethane	ND	5.0	"								
Dichlorodifluoromethane	ND	5.0	"								
Ethyl Benzene	ND	5.0	"								
Hexachlorobutadiene	ND	5.0	"								
Isopropylbenzene	ND	5.0	"								
Methyl acetate	ND	5.0	"								
Methyl tert-butyl ether (MTBE)	ND	5.0	"								
Methylcyclohexane	ND	5.0	"								
Methylene chloride	ND	10	"								
n-Butylbenzene	ND	5.0	"								





**Volatile Organic Compounds by GC/MS - Quality Control Data**

**York Analytical Laboratories, Inc.**

Analyte	Result	Reporting		Spike	Source*	%REC	%REC	Flag	RPD	
		Limit	Units						Level	Result

**Batch BD90186 - EPA 5035A**

**Blank (BD90186-BLK1)**

Prepared & Analyzed: 04/02/2019

n-Propylbenzene	ND	5.0	ug/kg wet							
o-Xylene	ND	5.0	"							
p- & m- Xylenes	ND	10	"							
p-Isopropyltoluene	ND	5.0	"							
sec-Butylbenzene	ND	5.0	"							
Styrene	ND	5.0	"							
tert-Butyl alcohol (TBA)	ND	5.0	"							
tert-Butylbenzene	ND	5.0	"							
Tetrachloroethylene	ND	5.0	"							
Toluene	ND	5.0	"							
trans-1,2-Dichloroethylene	ND	5.0	"							
trans-1,3-Dichloropropylene	ND	5.0	"							
trans-1,4-dichloro-2-butene	ND	5.0	"							
Trichloroethylene	ND	5.0	"							
Trichlorofluoromethane	ND	5.0	"							
Vinyl Chloride	ND	5.0	"							
Xylenes, Total	ND	15	"							

<i>Surrogate: SURRE: 1,2-Dichloroethane-d4</i>	53.5		ug/L	50.0		107	77-125			
<i>Surrogate: SURRE: Toluene-d8</i>	49.4		"	50.0		98.7	85-120			
<i>Surrogate: SURRE: p-Bromofluorobenzene</i>	53.8		"	50.0		108	76-130			

**LCS (BD90186-BS1)**

Prepared & Analyzed: 04/02/2019

1,1,1,2-Tetrachloroethane	55		ug/L	50.0		110	75-129			
1,1,1-Trichloroethane	62		"	50.0		123	71-137			
1,1,2,2-Tetrachloroethane	59		"	50.0		118	79-129			
1,1,2-Trichloro-1,2,2-trifluoroethane (Freon 113)	60		"	50.0		121	58-146			
1,1,2-Trichloroethane	54		"	50.0		108	83-123			
1,1-Dichloroethane	56		"	50.0		113	75-130			
1,1-Dichloroethylene	55		"	50.0		109	64-137			
1,2,3-Trichlorobenzene	54		"	50.0		108	81-140			
1,2,3-Trichloropropane	61		"	50.0		122	81-126			
1,2,4-Trichlorobenzene	54		"	50.0		108	80-141			
1,2,4-Trimethylbenzene	55		"	50.0		111	84-125			
1,2-Dibromo-3-chloropropane	56		"	50.0		111	74-142			
1,2-Dibromoethane	56		"	50.0		113	86-123			
1,2-Dichlorobenzene	55		"	50.0		110	85-122			
1,2-Dichloroethane	58		"	50.0		117	71-133			
1,2-Dichloropropane	54		"	50.0		107	81-122			
1,3,5-Trimethylbenzene	63		"	50.0		126	82-126			
1,3-Dichlorobenzene	55		"	50.0		109	84-124			
1,4-Dichlorobenzene	53		"	50.0		106	84-124			
1,4-Dioxane	250		"	1050		24.3	10-228			
2-Butanone	56		"	50.0		112	58-147			
2-Hexanone	51		"	50.0		103	70-139			
4-Methyl-2-pentanone	53		"	50.0		106	72-132			
Acetone	40		"	50.0		80.7	36-155			
Acrolein	74		"	50.0		147	10-238			
Acrylonitrile	60		"	50.0		120	66-141			
Benzene	56		"	50.0		113	77-127			
Bromochloromethane	58		"	50.0		115	74-129			
Bromodichloromethane	56		"	50.0		112	81-124			



**Volatile Organic Compounds by GC/MS - Quality Control Data**

**York Analytical Laboratories, Inc.**

Analyte	Result	Reporting	Spike	Source*	%REC	%REC	Limits	Flag	RPD	RPD	Flag
		Limit								Units	

**Batch BD90186 - EPA 5035A**

**LCS (BD90186-BS1)**

Prepared & Analyzed: 04/02/2019

Bromoform	56		ug/L	50.0		112	80-136				
Bromomethane	58		"	50.0		116	32-177				
Carbon disulfide	56		"	50.0		113	10-136				
Carbon tetrachloride	58		"	50.0		116	66-143				
Chlorobenzene	54		"	50.0		108	86-120				
Chloroethane	65		"	50.0		130	51-142				
Chloroform	58		"	50.0		116	76-131				
Chloromethane	51		"	50.0		101	49-132				
cis-1,2-Dichloroethylene	57		"	50.0		113	74-132				
cis-1,3-Dichloropropylene	54		"	50.0		107	81-129				
Cyclohexane	57		"	50.0		113	70-130				
Dibromochloromethane	57		"	50.0		113	10-200				
Dibromomethane	54		"	50.0		109	83-124				
Dichlorodifluoromethane	42		"	50.0		83.6	28-158				
Ethyl Benzene	56		"	50.0		111	84-125				
Hexachlorobutadiene	56		"	50.0		112	83-133				
Isopropylbenzene	58		"	50.0		116	81-127				
Methyl acetate	52		"	50.0		104	41-143				
Methyl tert-butyl ether (MTBE)	55		"	50.0		110	74-131				
Methylcyclohexane	53		"	50.0		106	70-130				
Methylene chloride	60		"	50.0		119	57-141				
n-Butylbenzene	45		"	50.0		90.2	80-130				
n-Propylbenzene	58		"	50.0		116	74-136				
o-Xylene	56		"	50.0		112	83-123				
p- & m- Xylenes	110		"	100		113	82-128				
p-Isopropyltoluene	56		"	50.0		112	85-125				
sec-Butylbenzene	59		"	50.0		117	83-125				
Styrene	56		"	50.0		111	86-126				
tert-Butyl alcohol (TBA)	290		"	250		114	70-130				
tert-Butylbenzene	56		"	50.0		112	80-127				
Tetrachloroethylene	52		"	50.0		104	80-129				
Toluene	53		"	50.0		106	85-121				
trans-1,2-Dichloroethylene	55		"	50.0		110	72-132				
trans-1,3-Dichloropropylene	54		"	50.0		107	78-132				
trans-1,4-dichloro-2-butene	57		"	50.0		114	75-135				
Trichloroethylene	55		"	50.0		110	84-123				
Trichlorofluoromethane	61		"	50.0		121	62-140				
Vinyl Chloride	56		"	50.0		112	52-130				
<i>Surrogate: SURRE: 1,2-Dichloroethane-d4</i>	<i>51.1</i>		<i>"</i>	<i>50.0</i>		<i>102</i>	<i>77-125</i>				
<i>Surrogate: SURRE: Toluene-d8</i>	<i>49.9</i>		<i>"</i>	<i>50.0</i>		<i>99.8</i>	<i>85-120</i>				
<i>Surrogate: SURRE: p-Bromofluorobenzene</i>	<i>52.6</i>		<i>"</i>	<i>50.0</i>		<i>105</i>	<i>76-130</i>				



Volatile Organic Compounds by GC/MS - Quality Control Data

York Analytical Laboratories, Inc.

Analyte	Result	Reporting		Spike	Source*		%REC	Limits	Flag	RPD	
		Limit	Units		Level	Result				%REC	RPD
<b>Batch BD90186 - EPA 5035A</b>											
<b>LCS Dup (BD90186-BSD1)</b>										Prepared & Analyzed: 04/02/2019	
1,1,1,2-Tetrachloroethane	51		ug/L	50.0	103	75-129		6.79		30	
1,1,1-Trichloroethane	57		"	50.0	114	71-137		7.21		30	
1,1,2,2-Tetrachloroethane	55		"	50.0	109	79-129		7.74		30	
1,1,2-Trichloro-1,2,2-trifluoroethane (Freon 113)	55		"	50.0	110	58-146		8.94		30	
1,1,2-Trichloroethane	50		"	50.0	99.8	83-123		7.45		30	
1,1-Dichloroethane	53		"	50.0	106	75-130		6.23		30	
1,1-Dichloroethylene	52		"	50.0	104	64-137		4.96		30	
1,2,3-Trichlorobenzene	50		"	50.0	100	81-140		7.62		30	
1,2,3-Trichloropropane	57		"	50.0	114	81-126		7.05		30	
1,2,4-Trichlorobenzene	50		"	50.0	99.5	80-141		8.51		30	
1,2,4-Trimethylbenzene	52		"	50.0	103	84-125		7.24		30	
1,2-Dibromo-3-chloropropane	54		"	50.0	107	74-142		3.91		30	
1,2-Dibromoethane	52		"	50.0	105	86-123		7.40		30	
1,2-Dichlorobenzene	50		"	50.0	99.4	85-122		9.75		30	
1,2-Dichloroethane	55		"	50.0	110	71-133		6.00		30	
1,2-Dichloropropane	50		"	50.0	99.2	81-122		7.62		30	
1,3,5-Trimethylbenzene	57		"	50.0	115	82-126		9.02		30	
1,3-Dichlorobenzene	50		"	50.0	100	84-124		8.45		30	
1,4-Dichlorobenzene	49		"	50.0	97.5	84-124		8.12		30	
1,4-Dioxane	240		"	1050	23.0	10-228		5.27		30	
2-Butanone	51		"	50.0	102	58-147		8.66		30	
2-Hexanone	49		"	50.0	98.1	70-139		4.41		30	
4-Methyl-2-pentanone	50		"	50.0	101	72-132		4.72		30	
Acetone	39		"	50.0	78.8	36-155		2.38		30	
Acrolein	71		"	50.0	143	10-238		2.87		30	
Acrylonitrile	56		"	50.0	113	66-141		6.42		30	
Benzene	53		"	50.0	106	77-127		6.51		30	
Bromochloromethane	54		"	50.0	108	74-129		6.86		30	
Bromodichloromethane	52		"	50.0	104	81-124		7.63		30	
Bromoform	52		"	50.0	105	80-136		6.81		30	
Bromomethane	54		"	50.0	107	32-177		7.35		30	
Carbon disulfide	52		"	50.0	105	10-136		7.47		30	
Carbon tetrachloride	54		"	50.0	109	66-143		6.28		30	
Chlorobenzene	50		"	50.0	101	86-120		7.22		30	
Chloroethane	63		"	50.0	126	51-142		3.01		30	
Chloroform	55		"	50.0	109	76-131		6.22		30	
Chloromethane	48		"	50.0	96.0	49-132		5.39		30	
cis-1,2-Dichloroethylene	53		"	50.0	106	74-132		6.53		30	
cis-1,3-Dichloropropylene	50		"	50.0	99.7	81-129		7.06		30	
Cyclohexane	53		"	50.0	105	70-130		7.33		30	
Dibromochloromethane	52		"	50.0	103	10-200		9.20		30	
Dibromomethane	51		"	50.0	103	83-124		5.56		30	
Dichlorodifluoromethane	40		"	50.0	79.8	28-158		4.73		30	
Ethyl Benzene	52		"	50.0	103	84-125		7.53		30	
Hexachlorobutadiene	52		"	50.0	104	83-133		6.92		30	
Isopropylbenzene	53		"	50.0	107	81-127		7.87		30	
Methyl acetate	51		"	50.0	102	41-143		2.44		30	
Methyl tert-butyl ether (MTBE)	52		"	50.0	104	74-131		5.44		30	
Methylcyclohexane	50		"	50.0	100	70-130		5.52		30	
Methylene chloride	56		"	50.0	112	57-141		6.70		30	
n-Butylbenzene	54		"	50.0	108	80-130		17.8		30	



**Volatile Organic Compounds by GC/MS - Quality Control Data**

**York Analytical Laboratories, Inc.**

Analyte	Result	Reporting	Spike	Source*	%REC	%REC	Limits	Flag	RPD	
		Limit							Units	Level

**Batch BD90186 - EPA 5035A**

**LCS Dup (BD90186-BSD1)**

Prepared & Analyzed: 04/02/2019

n-Propylbenzene	53		ug/L	50.0	105	74-136		9.52	30
o-Xylene	52		"	50.0	104	83-123		7.48	30
p- & m- Xylenes	100		"	100	102	82-128		10.0	30
p-Isopropyltoluene	52		"	50.0	104	85-125		7.04	30
sec-Butylbenzene	54		"	50.0	108	83-125		8.21	30
Styrene	51		"	50.0	102	86-126		8.71	30
tert-Butyl alcohol (TBA)	280		"	250	110	70-130		3.84	30
tert-Butylbenzene	51		"	50.0	103	80-127		8.51	30
Tetrachloroethylene	47		"	50.0	94.8	80-129		9.31	30
Toluene	49		"	50.0	97.9	85-121		8.25	30
trans-1,2-Dichloroethylene	53		"	50.0	105	72-132		4.42	30
trans-1,3-Dichloropropylene	50		"	50.0	99.1	78-132		7.70	30
trans-1,4-dichloro-2-butene	53		"	50.0	106	75-135		8.11	30
Trichloroethylene	51		"	50.0	102	84-123		6.80	30
Trichlorofluoromethane	58		"	50.0	116	62-140		4.39	30
Vinyl Chloride	53		"	50.0	106	52-130		5.52	30

Surrogate: SURR: 1,2-Dichloroethane-d4

51.6

"

50.0

103

77-125

Surrogate: SURR: Toluene-d8

49.4

"

50.0

98.9

85-120

Surrogate: SURR: p-Bromofluorobenzene

52.8

"

50.0

106

76-130

**Batch BD90225 - EPA 5030B**

**Blank (BD90225-BLK1)**

Prepared: 04/03/2019 Analyzed: 04/04/2019

1,1,1,2-Tetrachloroethane	ND	0.50	ug/L						
1,1,1-Trichloroethane	ND	0.50	"						
1,1,2,2-Tetrachloroethane	ND	0.50	"						
1,1,2-Trichloro-1,2,2-trifluoroethane (Freon 113)	ND	0.50	"						
1,1,2-Trichloroethane	ND	0.50	"						
1,1-Dichloroethane	ND	0.50	"						
1,1-Dichloroethylene	ND	0.50	"						
1,2,3-Trichlorobenzene	ND	0.50	"						
1,2,3-Trichloropropane	ND	0.50	"						
1,2,4-Trichlorobenzene	ND	0.50	"						
1,2,4-Trimethylbenzene	ND	0.50	"						
1,2-Dibromo-3-chloropropane	ND	0.50	"						
1,2-Dibromoethane	ND	0.50	"						
1,2-Dichlorobenzene	ND	0.50	"						
1,2-Dichloroethane	ND	0.50	"						
1,2-Dichloropropane	ND	0.50	"						
1,3,5-Trimethylbenzene	ND	0.50	"						
1,3-Dichlorobenzene	ND	0.50	"						
1,4-Dichlorobenzene	ND	0.50	"						
1,4-Dioxane	ND	40	"						
2-Butanone	ND	0.50	"						
2-Hexanone	ND	0.50	"						
4-Methyl-2-pentanone	ND	0.50	"						
Acetone	ND	2.0	"						
Acrolein	ND	0.50	"						
Acrylonitrile	ND	0.50	"						
Benzene	ND	0.50	"						
Bromochloromethane	ND	0.50	"						



Volatile Organic Compounds by GC/MS - Quality Control Data

York Analytical Laboratories, Inc.

Analyte	Result	Reporting	Units	Spike	Source*	%REC	%REC	Limits	Flag	RPD	RPD	Limit	Flag
		Limit			Level					Result			

Batch BD90225 - EPA 5030B

Blank (BD90225-BLK1)

Prepared: 04/03/2019 Analyzed: 04/04/2019

Bromodichloromethane	ND	0.50	ug/L										
Bromoform	ND	0.50	"										
Bromomethane	ND	0.50	"										
Carbon disulfide	ND	0.50	"										
Carbon tetrachloride	ND	0.50	"										
Chlorobenzene	ND	0.50	"										
Chloroethane	ND	0.50	"										
Chloroform	ND	0.50	"										
Chloromethane	ND	0.50	"										
cis-1,2-Dichloroethylene	ND	0.50	"										
cis-1,3-Dichloropropylene	ND	0.50	"										
Cyclohexane	ND	0.50	"										
Dibromochloromethane	ND	0.50	"										
Dibromomethane	ND	0.50	"										
Dichlorodifluoromethane	ND	0.50	"										
Ethyl Benzene	ND	0.50	"										
Hexachlorobutadiene	ND	0.50	"										
Isopropylbenzene	ND	0.50	"										
Methyl acetate	ND	0.50	"										
Methyl tert-butyl ether (MTBE)	ND	0.50	"										
Methylcyclohexane	ND	0.50	"										
Methylene chloride	ND	2.0	"										
n-Butylbenzene	ND	0.50	"										
n-Propylbenzene	ND	0.50	"										
o-Xylene	ND	0.50	"										
p- & m- Xylenes	ND	1.0	"										
p-Isopropyltoluene	ND	0.50	"										
sec-Butylbenzene	ND	0.50	"										
Styrene	ND	0.50	"										
tert-Butyl alcohol (TBA)	ND	1.0	"										
tert-Butylbenzene	ND	0.50	"										
Tetrachloroethylene	ND	0.50	"										
Toluene	ND	0.50	"										
trans-1,2-Dichloroethylene	ND	0.50	"										
trans-1,3-Dichloropropylene	ND	0.50	"										
trans-1,4-dichloro-2-butene	ND	0.50	"										
Trichloroethylene	ND	0.50	"										
Trichlorofluoromethane	ND	0.50	"										
Vinyl Chloride	ND	0.50	"										
Xylenes, Total	ND	1.5	"										
Surrogate: SURR: 1,2-Dichloroethane-d4	10.8		"	10.0		108	69-130						
Surrogate: SURR: Toluene-d8	10.4		"	10.0		104	81-117						
Surrogate: SURR: p-Bromofluorobenzene	11.0		"	10.0		110	79-122						



**Volatile Organic Compounds by GC/MS - Quality Control Data**

**York Analytical Laboratories, Inc.**

Analyte	Result	Reporting		Spike	Source*		%REC	Limits	Flag	RPD	
		Limit	Units		Level	Result				%REC	RPD

**Batch BD90225 - EPA 5030B**

**LCS (BD90225-BS1)**

Prepared: 04/02/2019 Analyzed: 04/03/2019

1,1,1,2-Tetrachloroethane	8.8		ug/L	10.0		87.9	82-126				
1,1,1-Trichloroethane	10		"	10.0		103	78-136				
1,1,2,2-Tetrachloroethane	11		"	10.0		109	76-129				
1,1,2-Trichloro-1,2,2-trifluoroethane (Freon 113)	10		"	10.0		103	54-165				
1,1,2-Trichloroethane	8.8		"	10.0		87.9	82-123				
1,1-Dichloroethane	10		"	10.0		99.9	82-129				
1,1-Dichloroethylene	9.6		"	10.0		96.1	68-138				
1,2,3-Trichlorobenzene	8.3		"	10.0		83.2	76-136				
1,2,3-Trichloropropane	11		"	10.0		107	77-128				
1,2,4-Trichlorobenzene	8.9		"	10.0		88.9	76-137				
1,2,4-Trimethylbenzene	11		"	10.0		108	82-132				
1,2-Dibromo-3-chloropropane	9.5		"	10.0		94.9	45-147				
1,2-Dibromoethane	8.9		"	10.0		89.1	83-124				
1,2-Dichlorobenzene	10		"	10.0		103	79-123				
1,2-Dichloroethane	9.8		"	10.0		97.7	73-132				
1,2-Dichloropropane	9.1		"	10.0		90.6	78-126				
1,3,5-Trimethylbenzene	11		"	10.0		110	80-131				
1,3-Dichlorobenzene	10		"	10.0		101	86-122				
1,4-Dichlorobenzene	10		"	10.0		101	85-124				
1,4-Dioxane	50		"	210		24.0	10-349				
2-Butanone	9.0		"	10.0		89.5	49-152				
2-Hexanone	8.8		"	10.0		87.7	51-146				
4-Methyl-2-pentanone	9.4		"	10.0		94.0	57-145				
Acetone	8.0		"	10.0		80.5	14-150				
Acrolein	7.4		"	10.0		73.6	10-153				
Acrylonitrile	9.8		"	10.0		98.0	51-150				
Benzene	9.6		"	10.0		95.6	85-126				
Bromochloromethane	10		"	10.0		100	77-128				
Bromodichloromethane	9.2		"	10.0		91.5	79-128				
Bromoform	6.4		"	10.0		64.5	78-133			Low Bias	
Bromomethane	7.3		"	10.0		73.3	43-168				
Carbon disulfide	9.6		"	10.0		96.2	68-146				
Carbon tetrachloride	9.5		"	10.0		95.0	77-141				
Chlorobenzene	9.2		"	10.0		92.0	88-120				
Chloroethane	8.9		"	10.0		88.8	65-136				
Chloroform	9.9		"	10.0		98.9	82-128				
Chloromethane	10		"	10.0		99.7	43-155				
cis-1,2-Dichloroethylene	9.5		"	10.0		95.2	83-129				
cis-1,3-Dichloropropylene	8.6		"	10.0		86.5	80-131				
Cyclohexane	11		"	10.0		107	63-149				
Dibromochloromethane	8.2		"	10.0		81.6	80-130				
Dibromomethane	9.3		"	10.0		92.9	72-134				
Dichlorodifluoromethane	11		"	10.0		106	44-144				
Ethyl Benzene	9.8		"	10.0		98.2	80-131				
Hexachlorobutadiene	7.1		"	10.0		71.3	67-146				
Isopropylbenzene	11		"	10.0		114	76-140				
Methyl acetate	8.5		"	10.0		85.1	51-139				
Methyl tert-butyl ether (MTBE)	9.5		"	10.0		95.1	76-135				
Methylcyclohexane	10		"	10.0		100	72-143				
Methylene chloride	10		"	10.0		104	55-137				
n-Butylbenzene	12		"	10.0		125	79-132				



Volatile Organic Compounds by GC/MS - Quality Control Data

York Analytical Laboratories, Inc.

Analyte	Result	Reporting		Spike	Source*		%REC	Limits	Flag	RPD	
		Limit	Units		Level	Result				%REC	RPD

Batch BD90225 - EPA 5030B

LCS (BD90225-BS1)

Prepared: 04/02/2019 Analyzed: 04/03/2019

n-Propylbenzene	12		ug/L	10.0		117	78-133				
o-Xylene	9.7		"	10.0		96.6	78-130				
p- & m- Xylenes	20		"	20.0		99.8	77-133				
p-Isopropyltoluene	11		"	10.0		111	81-136				
sec-Butylbenzene	12		"	10.0		118	79-137				
Styrene	9.1		"	10.0		91.2	67-132				
tert-Butyl alcohol (TBA)	38		"	50.0		76.5	25-162				
tert-Butylbenzene	11		"	10.0		111	77-138				
Tetrachloroethylene	7.1		"	10.0		71.0	82-131	Low Bias			
Toluene	9.5		"	10.0		95.1	80-127				
trans-1,2-Dichloroethylene	9.3		"	10.0		93.1	80-132				
trans-1,3-Dichloropropylene	8.4		"	10.0		83.5	78-131				
trans-1,4-dichloro-2-butene	10		"	10.0		102	63-141				
Trichloroethylene	9.1		"	10.0		91.2	82-128				
Trichlorofluoromethane	9.5		"	10.0		95.4	67-139				
Vinyl Chloride	9.9		"	10.0		99.1	58-145				

Surrogate: SURR: 1,2-Dichloroethane-d4

10.7

"

10.0

107

69-130

Surrogate: SURR: Toluene-d8

10.2

"

10.0

102

81-117

Surrogate: SURR: p-Bromofluorobenzene

11.1

"

10.0

111

79-122

LCS Dup (BD90225-BS1)

Prepared: 04/02/2019 Analyzed: 04/04/2019

1,1,1,2-Tetrachloroethane	8.9		ug/L	10.0		89.0	82-126		1.24	30
1,1,1-Trichloroethane	11		"	10.0		110	78-136		6.47	30
1,1,2,2-Tetrachloroethane	10		"	10.0		104	76-129		4.51	30
1,1,2-Trichloro-1,2,2-trifluoroethane (Freon 113)	12		"	10.0		116	54-165		12.3	30
1,1,2-Trichloroethane	9.0		"	10.0		89.7	82-123		2.03	30
1,1-Dichloroethane	11		"	10.0		105	82-129		5.26	30
1,1-Dichloroethylene	10		"	10.0		102	68-138		6.15	30
1,2,3-Trichlorobenzene	8.2		"	10.0		82.2	76-136		1.21	30
1,2,3-Trichloropropane	11		"	10.0		108	77-128		0.650	30
1,2,4-Trichlorobenzene	8.5		"	10.0		84.9	76-137		4.60	30
1,2,4-Trimethylbenzene	11		"	10.0		110	82-132		1.93	30
1,2-Dibromo-3-chloropropane	8.6		"	10.0		86.3	45-147		9.49	30
1,2-Dibromoethane	9.1		"	10.0		90.8	83-124		1.89	30
1,2-Dichlorobenzene	10		"	10.0		104	79-123		1.26	30
1,2-Dichloroethane	10		"	10.0		104	73-132		6.73	30
1,2-Dichloropropane	9.5		"	10.0		94.9	78-126		4.64	30
1,3,5-Trimethylbenzene	11		"	10.0		114	80-131		3.84	30
1,3-Dichlorobenzene	10		"	10.0		104	86-122		2.44	30
1,4-Dichlorobenzene	10		"	10.0		102	85-124		1.28	30
1,4-Dioxane	48		"	210		22.9	10-349		4.59	30
2-Butanone	9.4		"	10.0		94.4	49-152		5.33	30
2-Hexanone	8.5		"	10.0		85.4	51-146		2.66	30
4-Methyl-2-pentanone	9.5		"	10.0		95.4	57-145		1.48	30
Acetone	8.3		"	10.0		82.9	14-150		2.94	30
Acrolein	7.9		"	10.0		78.9	10-153		6.95	30
Acrylonitrile	10		"	10.0		102	51-150		3.90	30
Benzene	10		"	10.0		102	85-126		6.28	30
Bromochloromethane	10		"	10.0		105	77-128		4.28	30
Bromodichloromethane	9.6		"	10.0		95.5	79-128		4.28	30
Bromoform	6.6		"	10.0		66.3	78-133	Low Bias	2.75	30



**Volatile Organic Compounds by GC/MS - Quality Control Data**  
**York Analytical Laboratories, Inc.**

Analyte	Result	Reporting Limit	Units	Spike Level	Source* Result	%REC	%REC Limits	Flag	RPD	RPD Limit	Flag
---------	--------	-----------------	-------	-------------	----------------	------	-------------	------	-----	-----------	------

**Batch BD90225 - EPA 5030B**

**LCS Dup (BD90225-BSD1)**

Prepared: 04/02/2019 Analyzed: 04/04/2019

Bromomethane	8.0		ug/L	10.0		79.9	43-168		8.62	30	
Carbon disulfide	11		"	10.0		106	68-146		9.79	30	
Carbon tetrachloride	10		"	10.0		101	77-141		6.02	30	
Chlorobenzene	9.8		"	10.0		97.8	88-120		6.11	30	
Chloroethane	9.3		"	10.0		93.2	65-136		4.84	30	
Chloroform	11		"	10.0		105	82-128		6.08	30	
Chloromethane	11		"	10.0		113	43-155		12.5	30	
cis-1,2-Dichloroethylene	10		"	10.0		103	83-129		7.48	30	
cis-1,3-Dichloropropylene	8.9		"	10.0		89.4	80-131		3.30	30	
Cyclohexane	12		"	10.0		118	63-149		9.35	30	
Dibromochloromethane	8.4		"	10.0		84.3	80-130		3.25	30	
Dibromomethane	9.4		"	10.0		93.7	72-134		0.857	30	
Dichlorodifluoromethane	12		"	10.0		119	44-144		11.5	30	
Ethyl Benzene	10		"	10.0		104	80-131		5.64	30	
Hexachlorobutadiene	7.8		"	10.0		77.7	67-146		8.59	30	
Isopropylbenzene	12		"	10.0		117	76-140		2.42	30	
Methyl acetate	8.5		"	10.0		85.4	51-139		0.352	30	
Methyl tert-butyl ether (MTBE)	9.8		"	10.0		97.9	76-135		2.90	30	
Methylcyclohexane	11		"	10.0		106	72-143		6.01	30	
Methylene chloride	11		"	10.0		111	55-137		7.08	30	
n-Butylbenzene	13		"	10.0		127	79-132		1.67	30	
n-Propylbenzene	12		"	10.0		118	78-133		0.939	30	
o-Xylene	10		"	10.0		99.7	78-130		3.16	30	
p- & m- Xylenes	21		"	20.0		105	77-133		5.13	30	
p-Isopropyltoluene	11		"	10.0		114	81-136		3.02	30	
sec-Butylbenzene	12		"	10.0		122	79-137		3.41	30	
Styrene	9.5		"	10.0		94.9	67-132		3.98	30	
tert-Butyl alcohol (TBA)	41		"	50.0		82.3	25-162		7.25	30	
tert-Butylbenzene	12		"	10.0		115	77-138		3.80	30	
Tetrachloroethylene	7.7		"	10.0		77.0	82-131	Low Bias	8.11	30	
Toluene	10		"	10.0		100	80-127		5.42	30	
trans-1,2-Dichloroethylene	10		"	10.0		99.8	80-132		6.95	30	
trans-1,3-Dichloropropylene	8.5		"	10.0		84.6	78-131		1.31	30	
trans-1,4-dichloro-2-butene	10		"	10.0		100	63-141		1.68	30	
Trichloroethylene	9.9		"	10.0		98.6	82-128		7.80	30	
Trichlorofluoromethane	10		"	10.0		104	67-139		8.43	30	
Vinyl Chloride	11		"	10.0		107	58-145		7.76	30	
Surrogate: SURRE: 1,2-Dichloroethane-d4	10.9		"	10.0		109	69-130				
Surrogate: SURRE: Toluene-d8	10.2		"	10.0		102	81-117				
Surrogate: SURRE: p-Bromofluorobenzene	10.9		"	10.0		109	79-122				





**Volatile Organic Compounds by GC/MS - Quality Control Data**

**York Analytical Laboratories, Inc.**

Analyte	Result	Reporting	Units	Spike	Source*	%REC	%REC	Limits	Flag	RPD	Flag
		Limit								RPD	

**Batch BD90257 - EPA 5035A**

**Blank (BD90257-BLK1)**

Prepared: 04/02/2019 Analyzed: 04/04/2019

1,1,1,2-Tetrachloroethane	ND	5.0	ug/kg wet
1,1,1-Trichloroethane	ND	5.0	"
1,1,2,2-Tetrachloroethane	ND	5.0	"
1,1,2-Trichloro-1,2,2-trifluoroethane (Freon 113)	ND	5.0	"
1,1,2-Trichloroethane	ND	5.0	"
1,1-Dichloroethane	ND	5.0	"
1,1-Dichloroethylene	ND	5.0	"
1,2,3-Trichlorobenzene	ND	5.0	"
1,2,3-Trichloropropane	ND	5.0	"
1,2,4-Trichlorobenzene	ND	5.0	"
1,2,4-Trimethylbenzene	ND	5.0	"
1,2-Dibromo-3-chloropropane	ND	5.0	"
1,2-Dibromoethane	ND	5.0	"
1,2-Dichlorobenzene	ND	5.0	"
1,2-Dichloroethane	ND	5.0	"
1,2-Dichloropropane	ND	5.0	"
1,3,5-Trimethylbenzene	ND	5.0	"
1,3-Dichlorobenzene	ND	5.0	"
1,4-Dichlorobenzene	ND	5.0	"
1,4-Dioxane	ND	100	"
2-Butanone	ND	5.0	"
2-Hexanone	ND	5.0	"
4-Methyl-2-pentanone	ND	5.0	"
Acetone	ND	10	"
Acrolein	ND	10	"
Acrylonitrile	ND	5.0	"
Benzene	ND	5.0	"
Bromochloromethane	ND	5.0	"
Bromodichloromethane	ND	5.0	"
Bromoform	ND	5.0	"
Bromomethane	9.3	5.0	"
Carbon disulfide	ND	5.0	"
Carbon tetrachloride	ND	5.0	"
Chlorobenzene	ND	5.0	"
Chloroethane	ND	5.0	"
Chloroform	ND	5.0	"
Chloromethane	ND	5.0	"
cis-1,2-Dichloroethylene	ND	5.0	"
cis-1,3-Dichloropropylene	ND	5.0	"
Cyclohexane	ND	5.0	"
Dibromochloromethane	ND	5.0	"
Dibromomethane	ND	5.0	"
Dichlorodifluoromethane	ND	5.0	"
Ethyl Benzene	ND	5.0	"
Hexachlorobutadiene	ND	5.0	"
Isopropylbenzene	ND	5.0	"
Methyl acetate	ND	5.0	"
Methyl tert-butyl ether (MTBE)	ND	5.0	"
Methylcyclohexane	ND	5.0	"
Methylene chloride	ND	10	"
n-Butylbenzene	ND	5.0	"



**Volatile Organic Compounds by GC/MS - Quality Control Data**

**York Analytical Laboratories, Inc.**

Analyte	Result	Reporting		Spike Level	Source* Result	%REC	%REC Limits	Flag	RPD	
		Limit	Units						RPD	Limit

**Batch BD90257 - EPA 5035A**

**Blank (BD90257-BLK1)**

Prepared: 04/02/2019 Analyzed: 04/04/2019

n-Propylbenzene	ND	5.0	ug/kg wet							
o-Xylene	ND	5.0	"							
p- & m- Xylenes	ND	10	"							
p-Isopropyltoluene	ND	5.0	"							
sec-Butylbenzene	ND	5.0	"							
Styrene	ND	5.0	"							
tert-Butyl alcohol (TBA)	ND	5.0	"							
tert-Butylbenzene	ND	5.0	"							
Tetrachloroethylene	ND	5.0	"							
Toluene	ND	5.0	"							
trans-1,2-Dichloroethylene	ND	5.0	"							
trans-1,3-Dichloropropylene	ND	5.0	"							
trans-1,4-dichloro-2-butene	ND	5.0	"							
Trichloroethylene	ND	5.0	"							
Trichlorofluoromethane	ND	5.0	"							
Vinyl Chloride	ND	5.0	"							
Xylenes, Total	ND	15	"							

<i>Surrogate: SURR: 1,2-Dichloroethane-d4</i>	50.2		ug/L	50.0	100	77-125				
<i>Surrogate: SURR: Toluene-d8</i>	47.9		"	50.0	95.8	85-120				
<i>Surrogate: SURR: p-Bromofluorobenzene</i>	49.5		"	50.0	99.1	76-130				

**LCS (BD90257-BS1)**

Prepared: 04/02/2019 Analyzed: 04/04/2019

1,1,1,2-Tetrachloroethane	47		ug/L	50.0	93.4	75-129				
1,1,1-Trichloroethane	54		"	50.0	108	71-137				
1,1,2,2-Tetrachloroethane	46		"	50.0	92.0	79-129				
1,1,2-Trichloro-1,2,2-trifluoroethane (Freon 113)	52		"	50.0	103	58-146				
1,1,2-Trichloroethane	43		"	50.0	86.8	83-123				
1,1-Dichloroethane	49		"	50.0	97.1	75-130				
1,1-Dichloroethylene	48		"	50.0	96.5	64-137				
1,2,3-Trichlorobenzene	44		"	50.0	87.3	81-140				
1,2,3-Trichloropropane	44		"	50.0	88.0	81-126				
1,2,4-Trichlorobenzene	47		"	50.0	93.2	80-141				
1,2,4-Trimethylbenzene	44		"	50.0	88.3	84-125				
1,2-Dibromo-3-chloropropane	43		"	50.0	86.1	74-142				
1,2-Dibromoethane	46		"	50.0	92.8	86-123				
1,2-Dichlorobenzene	44		"	50.0	88.6	85-122				
1,2-Dichloroethane	50		"	50.0	99.1	71-133				
1,2-Dichloropropane	42		"	50.0	84.4	81-122				
1,3,5-Trimethylbenzene	53		"	50.0	105	82-126				
1,3-Dichlorobenzene	44		"	50.0	87.7	84-124				
1,4-Dichlorobenzene	43		"	50.0	86.4	84-124				
1,4-Dioxane	220		"	1050	21.2	10-228				
2-Butanone	52		"	50.0	104	58-147				
2-Hexanone	47		"	50.0	93.4	70-139				
4-Methyl-2-pentanone	44		"	50.0	89.0	72-132				
Acetone	45		"	50.0	90.7	36-155				
Acrolein	66		"	50.0	131	10-238				
Acrylonitrile	49		"	50.0	97.1	66-141				
Benzene	51		"	50.0	102	77-127				
Bromochloromethane	52		"	50.0	104	74-129				
Bromodichloromethane	46		"	50.0	92.6	81-124				



**Volatile Organic Compounds by GC/MS - Quality Control Data**

**York Analytical Laboratories, Inc.**

Analyte	Result	Reporting	Units	Spike Level	Source*	%REC	%REC Limits	Flag	RPD	RPD Limit	Flag
		Limit			Result				RPD		

**Batch BD90257 - EPA 5035A**

**LCS (BD90257-BS1)**

Prepared: 04/02/2019 Analyzed: 04/04/2019

Bromoform	44		ug/L	50.0		88.7	80-136				
Bromomethane	76		"	50.0		152	32-177				
Carbon disulfide	49		"	50.0		98.2	10-136				
Carbon tetrachloride	50		"	50.0		100	66-143				
Chlorobenzene	45		"	50.0		90.4	86-120				
Chloroethane	43		"	50.0		86.0	51-142				
Chloroform	50		"	50.0		100	76-131				
Chloromethane	52		"	50.0		104	49-132				
cis-1,2-Dichloroethylene	51		"	50.0		101	74-132				
cis-1,3-Dichloropropylene	47		"	50.0		93.5	81-129				
Cyclohexane	52		"	50.0		105	70-130				
Dibromochloromethane	47		"	50.0		94.9	10-200				
Dibromomethane	44		"	50.0		87.5	83-124				
Dichlorodifluoromethane	35		"	50.0		69.3	28-158				
Ethyl Benzene	46		"	50.0		92.7	84-125				
Hexachlorobutadiene	47		"	50.0		93.2	83-133				
Isopropylbenzene	44		"	50.0		88.4	81-127				
Methyl acetate	44		"	50.0		87.2	41-143				
Methyl tert-butyl ether (MTBE)	65		"	50.0		130	74-131				
Methylcyclohexane	48		"	50.0		95.8	70-130				
Methylene chloride	51		"	50.0		103	57-141				
n-Butylbenzene	46		"	50.0		92.4	80-130				
n-Propylbenzene	45		"	50.0		89.5	74-136				
o-Xylene	47		"	50.0		93.8	83-123				
p- & m- Xylenes	92		"	100		91.7	82-128				
p-Isopropyltoluene	47		"	50.0		93.9	85-125				
sec-Butylbenzene	48		"	50.0		95.5	83-125				
Styrene	47		"	50.0		93.1	86-126				
tert-Butyl alcohol (TBA)	140		"	250		54.7	70-130	Low Bias			
tert-Butylbenzene	45		"	50.0		90.0	80-127				
Tetrachloroethylene	37		"	50.0		73.0	80-129	Low Bias			
Toluene	44		"	50.0		88.2	85-121				
trans-1,2-Dichloroethylene	48		"	50.0		95.5	72-132				
trans-1,3-Dichloropropylene	46		"	50.0		92.4	78-132				
trans-1,4-dichloro-2-butene	46		"	50.0		92.9	75-135				
Trichloroethylene	44		"	50.0		88.4	84-123				
Trichlorofluoromethane	47		"	50.0		94.1	62-140				
Vinyl Chloride	45		"	50.0		89.5	52-130				
<i>Surrogate: SURRE: 1,2-Dichloroethane-d4</i>	<i>51.5</i>		<i>"</i>	<i>50.0</i>		<i>103</i>	<i>77-125</i>				
<i>Surrogate: SURRE: Toluene-d8</i>	<i>47.2</i>		<i>"</i>	<i>50.0</i>		<i>94.4</i>	<i>85-120</i>				
<i>Surrogate: SURRE: p-Bromofluorobenzene</i>	<i>49.5</i>		<i>"</i>	<i>50.0</i>		<i>98.9</i>	<i>76-130</i>				



Volatile Organic Compounds by GC/MS - Quality Control Data

York Analytical Laboratories, Inc.

Analyte	Result	Reporting Limit	Units	Spike Level	Source* Result	%REC	%REC Limits	Flag	RPD	RPD Limit	Flag
---------	--------	-----------------	-------	-------------	----------------	------	-------------	------	-----	-----------	------

Batch BD90257 - EPA 5035A

LCS Dup (BD90257-BSD1)

Prepared: 04/02/2019 Analyzed: 04/04/2019

1,1,1,2-Tetrachloroethane	44		ug/L	50.0		88.0	75-129		5.93	30	
1,1,1-Trichloroethane	52		"	50.0		103	71-137		4.94	30	
1,1,2,2-Tetrachloroethane	48		"	50.0		96.5	79-129		4.73	30	
1,1,2-Trichloro-1,2,2-trifluoroethane (Freon 113)	49		"	50.0		98.9	58-146		4.08	30	
1,1,2-Trichloroethane	45		"	50.0		90.2	83-123		3.77	30	
1,1-Dichloroethane	49		"	50.0		98.1	75-130		1.05	30	
1,1-Dichloroethylene	46		"	50.0		91.7	64-137		5.12	30	
1,2,3-Trichlorobenzene	44		"	50.0		87.2	81-140		0.115	30	
1,2,3-Trichloropropane	43		"	50.0		85.6	81-126		2.77	30	
1,2,4-Trichlorobenzene	46		"	50.0		91.3	80-141		2.06	30	
1,2,4-Trimethylbenzene	43		"	50.0		86.2	84-125		2.41	30	
1,2-Dibromo-3-chloropropane	42		"	50.0		84.9	74-142		1.45	30	
1,2-Dibromoethane	47		"	50.0		94.4	86-123		1.77	30	
1,2-Dichlorobenzene	43		"	50.0		86.5	85-122		2.35	30	
1,2-Dichloroethane	48		"	50.0		96.6	71-133		2.55	30	
1,2-Dichloropropane	43		"	50.0		86.7	81-122		2.71	30	
1,3,5-Trimethylbenzene	52		"	50.0		104	82-126		0.878	30	
1,3-Dichlorobenzene	43		"	50.0		85.4	84-124		2.61	30	
1,4-Dichlorobenzene	43		"	50.0		85.5	84-124		1.12	30	
1,4-Dioxane	240		"	1050		22.7	10-228		6.59	30	
2-Butanone	50		"	50.0		101	58-147		3.32	30	
2-Hexanone	49		"	50.0		97.3	70-139		4.13	30	
4-Methyl-2-pentanone	47		"	50.0		94.5	72-132		6.04	30	
Acetone	52		"	50.0		104	36-155		13.2	30	
Acrolein	65		"	50.0		130	10-238		1.36	30	
Acrylonitrile	50		"	50.0		101	66-141		3.82	30	
Benzene	49		"	50.0		98.3	77-127		3.87	30	
Bromochloromethane	52		"	50.0		103	74-129		0.174	30	
Bromodichloromethane	47		"	50.0		93.8	81-124		1.29	30	
Bromoform	41		"	50.0		82.3	80-136		7.53	30	
Bromomethane	60		"	50.0		120	32-177		23.4	30	
Carbon disulfide	46		"	50.0		92.7	10-136		5.70	30	
Carbon tetrachloride	48		"	50.0		95.0	66-143		5.47	30	
Chlorobenzene	45		"	50.0		89.1	86-120		1.40	30	
Chloroethane	46		"	50.0		91.3	51-142		5.95	30	
Chloroform	50		"	50.0		99.6	76-131		0.581	30	
Chloromethane	50		"	50.0		99.4	49-132		4.16	30	
cis-1,2-Dichloroethylene	48		"	50.0		96.7	74-132		4.39	30	
cis-1,3-Dichloropropylene	46		"	50.0		92.6	81-129		0.945	30	
Cyclohexane	52		"	50.0		104	70-130		1.13	30	
Dibromochloromethane	46		"	50.0		92.4	10-200		2.63	30	
Dibromomethane	44		"	50.0		87.9	83-124		0.479	30	
Dichlorodifluoromethane	41		"	50.0		81.3	28-158		16.0	30	
Ethyl Benzene	46		"	50.0		91.4	84-125		1.35	30	
Hexachlorobutadiene	44		"	50.0		88.7	83-133		4.90	30	
Isopropylbenzene	43		"	50.0		86.7	81-127		1.92	30	
Methyl acetate	47		"	50.0		94.2	41-143		7.76	30	
Methyl tert-butyl ether (MTBE)	52		"	50.0		105	74-131		20.9	30	
Methylcyclohexane	47		"	50.0		94.7	70-130		1.11	30	
Methylene chloride	51		"	50.0		102	57-141		0.605	30	
n-Butylbenzene	46		"	50.0		91.5	80-130		0.957	30	



**Volatile Organic Compounds by GC/MS - Quality Control Data**

**York Analytical Laboratories, Inc.**

Analyte	Result	Reporting	Spike	Source*	%REC	%REC	Limits	Flag	RPD	
		Limit							Units	Level

**Batch BD90257 - EPA 5035A**

**LCS Dup (BD90257-BSD1)**

Prepared: 04/02/2019 Analyzed: 04/04/2019

n-Propylbenzene	43		ug/L	50.0		86.6	74-136		3.38	30
o-Xylene	48		"	50.0		95.1	83-123		1.29	30
p- & m- Xylenes	91		"	100		91.0	82-128		0.788	30
p-Isopropyltoluene	45		"	50.0		90.3	85-125		3.84	30
sec-Butylbenzene	46		"	50.0		91.5	83-125		4.24	30
Styrene	46		"	50.0		91.6	86-126		1.62	30
tert-Butyl alcohol (TBA)	140		"	250		55.6	70-130	Low Bias	1.56	30
tert-Butylbenzene	43		"	50.0		86.9	80-127		3.53	30
Tetrachloroethylene	36		"	50.0		72.6	80-129	Low Bias	0.604	30
Toluene	45		"	50.0		89.3	85-121		1.31	30
trans-1,2-Dichloroethylene	47		"	50.0		93.7	72-132		1.99	30
trans-1,3-Dichloropropylene	48		"	50.0		95.2	78-132		2.96	30
trans-1,4-dichloro-2-butene	47		"	50.0		93.7	75-135		0.772	30
Trichloroethylene	44		"	50.0		88.2	84-123		0.272	30
Trichlorofluoromethane	46		"	50.0		93.0	62-140		1.18	30
Vinyl Chloride	48		"	50.0		95.5	52-130		6.51	30

Surrogate: SURR: 1,2-Dichloroethane-d4

50.2

"

50.0

100

77-125

Surrogate: SURR: Toluene-d8

47.0

"

50.0

94.0

85-120

Surrogate: SURR: p-Bromofluorobenzene

49.0

"

50.0

98.0

76-130

**Batch BD90258 - EPA 5035A**

**Blank (BD90258-BLK1)**

Prepared: 04/02/2019 Analyzed: 04/04/2019

1,1,1,2-Tetrachloroethane	ND	5.0	ug/kg wet
1,1,1-Trichloroethane	ND	5.0	"
1,1,2,2-Tetrachloroethane	ND	5.0	"
1,1,2-Trichloro-1,2,2-trifluoroethane (Freon 113)	ND	5.0	"
1,1,2-Trichloroethane	ND	5.0	"
1,1-Dichloroethane	ND	5.0	"
1,1-Dichloroethylene	ND	5.0	"
1,2,3-Trichlorobenzene	ND	5.0	"
1,2,3-Trichloropropane	ND	5.0	"
1,2,4-Trichlorobenzene	ND	5.0	"
1,2,4-Trimethylbenzene	ND	5.0	"
1,2-Dibromo-3-chloropropane	ND	5.0	"
1,2-Dibromoethane	ND	5.0	"
1,2-Dichlorobenzene	ND	5.0	"
1,2-Dichloroethane	ND	5.0	"
1,2-Dichloropropane	ND	5.0	"
1,3,5-Trimethylbenzene	ND	5.0	"
1,3-Dichlorobenzene	ND	5.0	"
1,4-Dichlorobenzene	ND	5.0	"
1,4-Dioxane	ND	100	"
2-Butanone	ND	5.0	"
2-Hexanone	ND	5.0	"
4-Methyl-2-pentanone	ND	5.0	"
Acetone	ND	10	"
Acrolein	ND	10	"
Acrylonitrile	ND	5.0	"
Benzene	ND	5.0	"
Bromochloromethane	ND	5.0	"



**Volatile Organic Compounds by GC/MS - Quality Control Data**

**York Analytical Laboratories, Inc.**

Analyte	Result	Reporting	Units	Spike	Source*	%REC	Limits	Flag	RPD	RPD	Limit	Flag
		Limit			Result	%REC			Limit			

**Batch BD90258 - EPA 5035A**

**Blank (BD90258-BLK1)**

Prepared: 04/02/2019 Analyzed: 04/04/2019

Bromodichloromethane	ND	5.0	ug/kg wet									
Bromoform	ND	5.0	"									
Bromomethane	ND	5.0	"									
Carbon disulfide	ND	5.0	"									
Carbon tetrachloride	ND	5.0	"									
Chlorobenzene	ND	5.0	"									
Chloroethane	ND	5.0	"									
Chloroform	ND	5.0	"									
Chloromethane	ND	5.0	"									
cis-1,2-Dichloroethylene	ND	5.0	"									
cis-1,3-Dichloropropylene	ND	5.0	"									
Cyclohexane	ND	5.0	"									
Dibromochloromethane	ND	5.0	"									
Dibromomethane	ND	5.0	"									
Dichlorodifluoromethane	ND	5.0	"									
Ethyl Benzene	ND	5.0	"									
Hexachlorobutadiene	ND	5.0	"									
Isopropylbenzene	ND	5.0	"									
Methyl acetate	ND	5.0	"									
Methyl tert-butyl ether (MTBE)	ND	5.0	"									
Methylcyclohexane	ND	5.0	"									
Methylene chloride	ND	10	"									
n-Butylbenzene	ND	5.0	"									
n-Propylbenzene	ND	5.0	"									
o-Xylene	ND	5.0	"									
p- & m- Xylenes	ND	10	"									
p-Isopropyltoluene	ND	5.0	"									
sec-Butylbenzene	ND	5.0	"									
Styrene	ND	5.0	"									
tert-Butyl alcohol (TBA)	ND	5.0	"									
tert-Butylbenzene	ND	5.0	"									
Tetrachloroethylene	ND	5.0	"									
Toluene	ND	5.0	"									
trans-1,2-Dichloroethylene	ND	5.0	"									
trans-1,3-Dichloropropylene	ND	5.0	"									
trans-1,4-dichloro-2-butene	ND	5.0	"									
Trichloroethylene	ND	5.0	"									
Trichlorofluoromethane	ND	5.0	"									
Vinyl Chloride	ND	5.0	"									
Xylenes, Total	ND	15	"									
<i>Surrogate: SURR: 1,2-Dichloroethane-d4</i>	<i>48.0</i>		<i>ug/L</i>	<i>50.0</i>		<i>96.1</i>	<i>77-125</i>					
<i>Surrogate: SURR: Toluene-d8</i>	<i>51.6</i>		<i>"</i>	<i>50.0</i>		<i>103</i>	<i>85-120</i>					
<i>Surrogate: SURR: p-Bromofluorobenzene</i>	<i>50.1</i>		<i>"</i>	<i>50.0</i>		<i>100</i>	<i>76-130</i>					



**Volatile Organic Compounds by GC/MS - Quality Control Data**

**York Analytical Laboratories, Inc.**

Analyte	Result	Reporting		Spike	Source*		%REC	Limits	Flag	RPD	
		Limit	Units		Level	Result				%REC	RPD

**Batch BD90258 - EPA 5035A**

**LCS (BD90258-BS1)**

Prepared: 04/02/2019 Analyzed: 04/04/2019

1,1,1,2-Tetrachloroethane	47		ug/L	50.0		94.5	75-129				
1,1,1-Trichloroethane	43		"	50.0		86.0	71-137				
1,1,2,2-Tetrachloroethane	47		"	50.0		94.8	79-129				
1,1,2-Trichloro-1,2,2-trifluoroethane (Freon 113)	43		"	50.0		85.2	58-146				
1,1,2-Trichloroethane	45		"	50.0		89.4	83-123				
1,1-Dichloroethane	41		"	50.0		82.7	75-130				
1,1-Dichloroethylene	40		"	50.0		80.1	64-137				
1,2,3-Trichlorobenzene	47		"	50.0		94.1	81-140				
1,2,3-Trichloropropane	46		"	50.0		92.7	81-126				
1,2,4-Trichlorobenzene	46		"	50.0		91.6	80-141				
1,2,4-Trimethylbenzene	45		"	50.0		90.1	84-125				
1,2-Dibromo-3-chloropropane	49		"	50.0		97.5	74-142				
1,2-Dibromoethane	45		"	50.0		89.9	86-123				
1,2-Dichlorobenzene	45		"	50.0		89.5	85-122				
1,2-Dichloroethane	40		"	50.0		80.4	71-133				
1,2-Dichloropropane	43		"	50.0		86.3	81-122				
1,3,5-Trimethylbenzene	55		"	50.0		110	82-126				
1,3-Dichlorobenzene	46		"	50.0		91.5	84-124				
1,4-Dichlorobenzene	46		"	50.0		92.0	84-124				
1,4-Dioxane	220		"	1050		21.2	10-228				
2-Butanone	38		"	50.0		75.9	58-147				
2-Hexanone	45		"	50.0		90.6	70-139				
4-Methyl-2-pentanone	46		"	50.0		91.1	72-132				
Acetone	34		"	50.0		68.2	36-155				
Acrolein	47		"	50.0		93.8	10-238				
Acrylonitrile	42		"	50.0		84.3	66-141				
Benzene	42		"	50.0		83.1	77-127				
Bromochloromethane	42		"	50.0		83.6	74-129				
Bromodichloromethane	46		"	50.0		91.1	81-124				
Bromoform	44		"	50.0		88.2	80-136				
Bromomethane	48		"	50.0		95.7	32-177				
Carbon disulfide	40		"	50.0		80.3	10-136				
Carbon tetrachloride	42		"	50.0		83.6	66-143				
Chlorobenzene	44		"	50.0		88.6	86-120				
Chloroethane	39		"	50.0		78.4	51-142				
Chloroform	42		"	50.0		84.8	76-131				
Chloromethane	39		"	50.0		77.6	49-132				
cis-1,2-Dichloroethylene	42		"	50.0		83.2	74-132				
cis-1,3-Dichloropropylene	45		"	50.0		89.9	81-129				
Cyclohexane	44		"	50.0		87.3	70-130				
Dibromochloromethane	47		"	50.0		95.0	10-200				
Dibromomethane	43		"	50.0		86.0	83-124				
Dichlorodifluoromethane	33		"	50.0		65.9	28-158				
Ethyl Benzene	46		"	50.0		91.0	84-125				
Hexachlorobutadiene	46		"	50.0		91.8	83-133				
Isopropylbenzene	46		"	50.0		91.8	81-127				
Methyl acetate	42		"	50.0		84.9	41-143				
Methyl tert-butyl ether (MTBE)	41		"	50.0		82.0	74-131				
Methylcyclohexane	48		"	50.0		96.3	70-130				
Methylene chloride	42		"	50.0		84.9	57-141				
n-Butylbenzene	49		"	50.0		97.7	80-130				



Volatile Organic Compounds by GC/MS - Quality Control Data

York Analytical Laboratories, Inc.

Analyte	Result	Reporting Limit	Units	Spike Level	Source* Result	%REC	%REC Limits	Flag	RPD	RPD Limit	Flag
---------	--------	-----------------	-------	-------------	----------------	------	-------------	------	-----	-----------	------

Batch BD90258 - EPA 5035A

LCS (BD90258-BS1)

Prepared: 04/02/2019 Analyzed: 04/04/2019

n-Propylbenzene	47		ug/L	50.0		93.3	74-136				
o-Xylene	46		"	50.0		92.4	83-123				
p- & m- Xylenes	90		"	100		90.5	82-128				
p-Isopropyltoluene	47		"	50.0		94.8	85-125				
sec-Butylbenzene	48		"	50.0		95.5	83-125				
Styrene	47		"	50.0		94.7	86-126				
tert-Butyl alcohol (TBA)	110		"	250		45.3	70-130	Low Bias			
tert-Butylbenzene	46		"	50.0		92.1	80-127				
Tetrachloroethylene	42		"	50.0		84.0	80-129				
Toluene	45		"	50.0		89.2	85-121				
trans-1,2-Dichloroethylene	41		"	50.0		81.9	72-132				
trans-1,3-Dichloropropylene	44		"	50.0		87.7	78-132				
trans-1,4-dichloro-2-butene	46		"	50.0		91.4	75-135				
Trichloroethylene	43		"	50.0		86.3	84-123				
Trichlorofluoromethane	41		"	50.0		82.0	62-140				
Vinyl Chloride	40		"	50.0		79.5	52-130				
Surrogate: SURR: 1,2-Dichloroethane-d4	47.2		"	50.0		94.5	77-125				
Surrogate: SURR: Toluene-d8	51.3		"	50.0		103	85-120				
Surrogate: SURR: p-Bromofluorobenzene	49.6		"	50.0		99.2	76-130				

LCS Dup (BD90258-BS1)

Prepared: 04/02/2019 Analyzed: 04/04/2019

1,1,1,2-Tetrachloroethane	58		ug/L	50.0		116	75-129		20.6	30	
1,1,1-Trichloroethane	53		"	50.0		107	71-137		21.7	30	
1,1,2,2-Tetrachloroethane	60		"	50.0		120	79-129		23.7	30	
1,1,2-Trichloro-1,2,2-trifluoroethane (Freon 113)	53		"	50.0		106	58-146		21.9	30	
1,1,2-Trichloroethane	55		"	50.0		111	83-123		21.4	30	
1,1-Dichloroethane	52		"	50.0		103	75-130		22.0	30	
1,1-Dichloroethylene	48		"	50.0		96.0	64-137		18.1	30	
1,2,3-Trichlorobenzene	57		"	50.0		115	81-140		19.8	30	
1,2,3-Trichloropropane	57		"	50.0		115	81-126		21.3	30	
1,2,4-Trichlorobenzene	58		"	50.0		116	80-141		23.3	30	
1,2,4-Trimethylbenzene	57		"	50.0		114	84-125		23.1	30	
1,2-Dibromo-3-chloropropane	60		"	50.0		120	74-142		20.5	30	
1,2-Dibromoethane	56		"	50.0		111	86-123		21.0	30	
1,2-Dichlorobenzene	55		"	50.0		111	85-122		21.2	30	
1,2-Dichloroethane	51		"	50.0		103	71-133		24.4	30	
1,2-Dichloropropane	53		"	50.0		106	81-122		20.1	30	
1,3,5-Trimethylbenzene	68		"	50.0		136	82-126	High Bias	21.0	30	
1,3-Dichlorobenzene	58		"	50.0		116	84-124		23.3	30	
1,4-Dichlorobenzene	57		"	50.0		114	84-124		21.7	30	
1,4-Dioxane	230		"	1050		21.6	10-228		1.78	30	
2-Butanone	50		"	50.0		99.2	58-147		26.6	30	
2-Hexanone	57		"	50.0		113	70-139		22.1	30	
4-Methyl-2-pentanone	57		"	50.0		114	72-132		22.3	30	
Acetone	44		"	50.0		87.3	36-155		24.5	30	
Acrolein	61		"	50.0		122	10-238		26.3	30	
Acrylonitrile	54		"	50.0		108	66-141		24.6	30	
Benzene	53		"	50.0		105	77-127		23.5	30	
Bromochloromethane	50		"	50.0		99.2	74-129		17.0	30	
Bromodichloromethane	56		"	50.0		112	81-124		20.2	30	
Bromoform	57		"	50.0		114	80-136		25.2	30	





**Volatile Organic Compounds by GC/MS - Quality Control Data**  
**York Analytical Laboratories, Inc.**

Analyte	Result	Reporting	Spike	Source*	%REC	%REC	Limits	Flag	RPD	
		Limit							Units	Level

**Batch BD90258 - EPA 5035A**

**LCS Dup (BD90258-BSD1)**

Prepared: 04/02/2019 Analyzed: 04/04/2019

Bromomethane	57		ug/L	50.0	113	32-177			16.8	30
Carbon disulfide	49		"	50.0	98.8	10-136			20.7	30
Carbon tetrachloride	51		"	50.0	102	66-143			20.2	30
Chlorobenzene	55		"	50.0	109	86-120			20.8	30
Chloroethane	46		"	50.0	92.6	51-142			16.7	30
Chloroform	53		"	50.0	105	76-131			21.7	30
Chloromethane	41		"	50.0	82.4	49-132			5.92	30
cis-1,2-Dichloroethylene	50		"	50.0	99.8	74-132			18.1	30
cis-1,3-Dichloropropylene	54		"	50.0	108	81-129			18.1	30
Cyclohexane	54		"	50.0	107	70-130			20.7	30
Dibromochloromethane	59		"	50.0	118	10-200			21.8	30
Dibromomethane	54		"	50.0	109	83-124			23.2	30
Dichlorodifluoromethane	38		"	50.0	76.5	28-158			14.9	30
Ethyl Benzene	58		"	50.0	115	84-125			23.3	30
Hexachlorobutadiene	56		"	50.0	113	83-133			20.4	30
Isopropylbenzene	58		"	50.0	116	81-127			23.2	30
Methyl acetate	51		"	50.0	102	41-143			18.4	30
Methyl tert-butyl ether (MTBE)	51		"	50.0	102	74-131			22.2	30
Methylcyclohexane	59		"	50.0	119	70-130			20.7	30
Methylene chloride	53		"	50.0	105	57-141			21.4	30
n-Butylbenzene	54		"	50.0	108	80-130			9.81	30
n-Propylbenzene	58		"	50.0	116	74-136			22.1	30
o-Xylene	57		"	50.0	114	83-123			21.0	30
p- & m- Xylenes	110		"	100	113	82-128			21.7	30
p-Isopropyltoluene	59		"	50.0	118	85-125			21.6	30
sec-Butylbenzene	59		"	50.0	119	83-125			21.8	30
Styrene	58		"	50.0	116	86-126			20.5	30
tert-Butyl alcohol (TBA)	150		"	250	59.9	70-130	Low Bias		27.8	30
tert-Butylbenzene	59		"	50.0	117	80-127			24.1	30
Tetrachloroethylene	52		"	50.0	104	80-129			21.0	30
Toluene	54		"	50.0	109	85-121			19.8	30
trans-1,2-Dichloroethylene	51		"	50.0	102	72-132			21.4	30
trans-1,3-Dichloropropylene	54		"	50.0	108	78-132			20.8	30
trans-1,4-dichloro-2-butene	58		"	50.0	117	75-135			24.4	30
Trichloroethylene	53		"	50.0	106	84-123			20.5	30
Trichlorofluoromethane	47		"	50.0	94.8	62-140			14.4	30
Vinyl Chloride	47		"	50.0	93.5	52-130			16.3	30
<i>Surrogate: SURR: 1,2-Dichloroethane-d4</i>	<i>48.4</i>		<i>"</i>	<i>50.0</i>	<i>96.8</i>	<i>77-125</i>				
<i>Surrogate: SURR: Toluene-d8</i>	<i>51.0</i>		<i>"</i>	<i>50.0</i>	<i>102</i>	<i>85-120</i>				
<i>Surrogate: SURR: p-Bromofluorobenzene</i>	<i>51.3</i>		<i>"</i>	<i>50.0</i>	<i>103</i>	<i>76-130</i>				



Volatile Organic Compounds by GC/MS - Quality Control Data

York Analytical Laboratories, Inc.

Analyte	Result	Reporting		Spike Level	Source*		%REC Limits	Flag	RPD		
		Limit	Units		Result	%REC			RPD	Limit	Flag
<b>Batch BD90258 - EPA 5035A</b>											
<b>Matrix Spike (BD90258-MS1)</b>	*Source sample: 19C1272-18 (PD1-SB-104 (0-4') Grab)						Prepared: 04/02/2019 Analyzed: 04/05/2019				
1,1,1,2-Tetrachloroethane	51		ug/L	50.0	0.0	102	15-161				
1,1,1-Trichloroethane	49		"	50.0	0.0	98.8	42-145				
1,1,2,2-Tetrachloroethane	48		"	50.0	0.0	95.6	16-167				
1,1,2-Trichloro-1,2,2-trifluoroethane (Freon 113)	48		"	50.0	0.0	95.6	11-160				
1,1,2-Trichloroethane	50		"	50.0	0.0	100	44-145				
1,1-Dichloroethane	46		"	50.0	0.0	92.3	46-142				
1,1-Dichloroethylene	44		"	50.0	0.0	87.0	30-153				
1,2,3-Trichlorobenzene	39		"	50.0	0.0	77.2	10-157				
1,2,3-Trichloropropane	49		"	50.0	0.0	97.8	38-155				
1,2,4-Trichlorobenzene	34		"	50.0	0.0	68.2	10-151				
1,2,4-Trimethylbenzene	43		"	50.0	0.0	86.8	10-170				
1,2-Dibromo-3-chloropropane	45		"	50.0	0.0	90.0	36-138				
1,2-Dibromoethane	49		"	50.0	0.0	97.1	40-142				
1,2-Dichlorobenzene	43		"	50.0	0.0	85.9	10-147				
1,2-Dichloroethane	47		"	50.0	0.0	93.1	48-133				
1,2-Dichloropropane	46		"	50.0	0.0	92.1	47-141				
1,3,5-Trimethylbenzene	54		"	50.0	0.0	108	10-150				
1,3-Dichlorobenzene	42		"	50.0	0.0	83.7	10-144				
1,4-Dichlorobenzene	40		"	50.0	0.0	80.4	10-160				
1,4-Dioxane	220		"	1050	0.0	21.2	10-191				
2-Butanone	32		"	50.0	0.0	63.5	10-189				
2-Hexanone	47		"	50.0	0.0	94.6	10-181				
4-Methyl-2-pentanone	52		"	50.0	0.0	103	10-166				
Acetone	46		"	50.0	41	9.58	10-196	Low Bias			
Acrolein	19		"	50.0	0.0	37.7	10-192				
Acrylonitrile	46		"	50.0	0.0	91.7	13-161				
Benzene	47		"	50.0	0.0	94.4	43-139				
Bromochloromethane	45		"	50.0	0.0	90.6	38-145				
Bromodichloromethane	49		"	50.0	0.0	97.5	38-147				
Bromoform	48		"	50.0	0.0	95.7	29-156				
Bromomethane	49		"	50.0	0.0	97.4	10-166				
Carbon disulfide	42		"	50.0	0.0	83.7	10-131				
Carbon tetrachloride	48		"	50.0	0.0	95.6	35-145				
Chlorobenzene	47		"	50.0	0.0	93.2	21-154				
Chloroethane	39		"	50.0	0.0	77.7	15-160				
Chloroform	47		"	50.0	0.0	94.0	47-142				
Chloromethane	35		"	50.0	0.0	69.3	10-159				
cis-1,2-Dichloroethylene	45		"	50.0	0.0	90.3	42-144				
cis-1,3-Dichloropropylene	44		"	50.0	0.0	87.5	18-159				
Cyclohexane	49		"	50.0	0.0	98.3	70-130				
Dibromochloromethane	52		"	50.0	0.0	104	10-179				
Dibromomethane	49		"	50.0	0.0	98.3	47-143				
Dichlorodifluoromethane	38		"	50.0	0.0	75.5	10-145				
Ethyl Benzene	49		"	50.0	0.0	97.2	11-158				
Hexachlorobutadiene	40		"	50.0	0.0	79.5	10-158				
Isopropylbenzene	47		"	50.0	0.0	93.1	10-162				
Methyl acetate	59		"	50.0	0.0	119	10-149				
Methyl tert-butyl ether (MTBE)	42		"	50.0	0.0	83.3	42-152				
Methylcyclohexane	53		"	50.0	0.0	106	70-130				
Methylene chloride	50		"	50.0	3.8	92.3	28-151				
n-Butylbenzene	40		"	50.0	0.0	79.8	10-162				



**Volatile Organic Compounds by GC/MS - Quality Control Data**

**York Analytical Laboratories, Inc.**

Analyte	Result	Reporting		Spike Level	Source* Result	%REC	%REC Limits	Flag	RPD		
		Limit	Units						RPD	Limit	Flag
<b>Batch BD90258 - EPA 5035A</b>											
<b>Matrix Spike (BD90258-MS1)</b>		*Source sample: 19C1272-18 (PD1-SB-104 (0-4') Grab)					Prepared: 04/02/2019 Analyzed: 04/05/2019				
n-Propylbenzene	46		ug/L	50.0	0.0	91.8	10-155				
o-Xylene	48		"	50.0	0.0	96.7	10-158				
p- & m- Xylenes	96		"	100	0.0	96.1	10-156				
p-Isopropyltoluene	47		"	50.0	0.0	94.5	10-147				
sec-Butylbenzene	47		"	50.0	0.0	94.4	10-157				
Styrene	47		"	50.0	0.0	94.7	13-171				
tert-Butyl alcohol (TBA)	130		"	250	0.0	50.4	34-179				
tert-Butylbenzene	47		"	50.0	0.0	93.9	10-160				
Tetrachloroethylene	98		"	50.0	49	97.6	30-167				
Toluene	50		"	50.0	0.0	99.4	21-160				
trans-1,2-Dichloroethylene	43		"	50.0	0.0	86.0	29-153				
trans-1,3-Dichloropropylene	43		"	50.0	0.0	86.6	18-155				
trans-1,4-dichloro-2-butene	46		"	50.0	0.0	91.7	17-154				
Trichloroethylene	49		"	50.0	0.0	97.1	24-169				
Trichlorofluoromethane	44		"	50.0	0.0	87.9	35-142				
Vinyl Chloride	42		"	50.0	0.0	83.5	12-160				
<i>Surrogate: SURR: 1,2-Dichloroethane-d4</i>	<i>50.1</i>		<i>"</i>	<i>50.0</i>		<i>100</i>	<i>77-125</i>				
<i>Surrogate: SURR: Toluene-d8</i>	<i>52.1</i>		<i>"</i>	<i>50.0</i>		<i>104</i>	<i>85-120</i>				
<i>Surrogate: SURR: p-Bromofluorobenzene</i>	<i>48.1</i>		<i>"</i>	<i>50.0</i>		<i>96.2</i>	<i>76-130</i>				
<b>Matrix Spike Dup (BD90258-MSD1)</b>		*Source sample: 19C1272-18 (PD1-SB-104 (0-4') Grab)					Prepared: 04/02/2019 Analyzed: 04/05/2019				
1,1,1,2-Tetrachloroethane	42		ug/L	50.0	0.0	84.2	15-161		18.7	33	
1,1,1-Trichloroethane	42		"	50.0	0.0	84.4	42-145		15.7	30	
1,1,2,2-Tetrachloroethane	44		"	50.0	0.0	88.7	16-167		7.49	56	
1,1,2-Trichloro-1,2,2-trifluoroethane (Freon 113)	42		"	50.0	0.0	84.0	11-160		12.9	31	
1,1,2-Trichloroethane	45		"	50.0	0.0	89.2	44-145		11.5	40	
1,1-Dichloroethane	40		"	50.0	0.0	79.2	46-142		15.2	36	
1,1-Dichloroethylene	35		"	50.0	0.0	70.8	30-153		20.6	31	
1,2,3-Trichlorobenzene	24		"	50.0	0.0	47.3	10-157		48.1	47	
1,2,3-Trichloropropane	46		"	50.0	0.0	92.4	38-155		5.72	48	
1,2,4-Trichlorobenzene	24		"	50.0	0.0	47.5	10-151		35.8	52	
1,2,4-Trimethylbenzene	36		"	50.0	0.0	72.1	10-170		18.5	242	
1,2-Dibromo-3-chloropropane	43		"	50.0	0.0	85.9	36-138		4.66	54	
1,2-Dibromoethane	45		"	50.0	0.0	89.7	40-142		7.92	39	
1,2-Dichlorobenzene	32		"	50.0	0.0	64.0	10-147		29.2	52	
1,2-Dichloroethane	41		"	50.0	0.0	82.5	48-133		12.1	32	
1,2-Dichloropropane	41		"	50.0	0.0	81.8	47-141		11.9	37	
1,3,5-Trimethylbenzene	44		"	50.0	0.0	88.3	10-150		20.2	62	
1,3-Dichlorobenzene	32		"	50.0	0.0	64.0	10-144		26.8	51	
1,4-Dichlorobenzene	31		"	50.0	0.0	62.5	10-160		25.1	52	
1,4-Dioxane	210		"	1050	0.0	20.4	10-191		3.77	196	
2-Butanone	41		"	50.0	0.0	82.0	10-189		25.4	67	
2-Hexanone	45		"	50.0	0.0	89.4	10-181		5.72	60	
4-Methyl-2-pentanone	49		"	50.0	0.0	97.0	10-166		6.13	47	
Acetone	130		"	50.0	44	169	10-196		179	150	
Acrolein	6.3		"	50.0	0.0	12.6	10-192		100	128	
Acrylonitrile	45		"	50.0	0.0	90.1	13-161		1.80	48	
Benzene	39		"	50.0	0.0	77.1	43-139		20.2	64	
Bromochloromethane	40		"	50.0	0.0	80.8	38-145		11.4	30	
Bromodichloromethane	44		"	50.0	0.0	87.1	38-147		11.2	37	
Bromoform	42		"	50.0	0.0	83.8	29-156		13.3	51	



**Volatile Organic Compounds by GC/MS - Quality Control Data**

**York Analytical Laboratories, Inc.**

Analyte	Result	Reporting	Spike	Source*	%REC	%REC	Limits	Flag	RPD		
		Limit							Units	Level	Result
<b>Batch BD90258 - EPA 5035A</b>											
<b>Matrix Spike Dup (BD90258-MSD1)</b>	*Source sample: 19C1272-18 (PD1-SB-104 (0-4') Grab)						Prepared: 04/02/2019 Analyzed: 04/05/2019				
Bromomethane	39		ug/L	50.0	0.0	78.4	10-166		21.6	42	
Carbon disulfide	35		"	50.0	0.0	69.4	10-131		18.7	36	
Carbon tetrachloride	40		"	50.0	0.0	80.1	35-145		17.6	31	
Chlorobenzene	38		"	50.0	0.0	76.9	21-154		19.2	32	
Chloroethane	36		"	50.0	0.0	71.2	15-160		8.65	40	
Chloroform	41		"	50.0	0.0	82.3	47-142		13.3	29	
Chloromethane	31		"	50.0	0.0	61.1	10-159		12.5	31	
cis-1,2-Dichloroethylene	34		"	50.0	0.0	69.0	42-144		26.8	30	
cis-1,3-Dichloropropylene	39		"	50.0	0.0	77.3	18-159		12.4	39	
Cyclohexane	41		"	50.0	0.0	81.4	70-130		18.9	30	
Dibromochloromethane	45		"	50.0	0.0	89.3	10-179		14.8	41	
Dibromomethane	44		"	50.0	0.0	88.8	47-143		10.2	41	
Dichlorodifluoromethane	30		"	50.0	0.0	59.7	10-145		23.4	34	
Ethyl Benzene	40		"	50.0	0.0	79.2	11-158		20.4	42	
Hexachlorobutadiene	32		"	50.0	0.0	63.5	10-158		22.4	45	
Isopropylbenzene	39		"	50.0	0.0	78.7	10-162		16.7	57	
Methyl acetate	47		"	50.0	0.0	93.1	10-149		24.2	64	
Methyl tert-butyl ether (MTBE)	37		"	50.0	0.0	73.3	42-152		12.8	47	
Methylcyclohexane	44		"	50.0	0.0	87.1	70-130		19.4	30	
Methylene chloride	43		"	50.0	4.0	78.7	28-151		15.9	49	
n-Butylbenzene	31		"	50.0	0.0	62.5	10-162		24.4	96	
n-Propylbenzene	38		"	50.0	0.0	75.8	10-155		19.1	56	
o-Xylene	40		"	50.0	0.0	80.1	10-158		18.8	51	
p- & m- Xylenes	80		"	100	0.0	79.5	10-156		18.9	47	
p-Isopropyltoluene	37		"	50.0	0.0	73.2	10-147		25.4	60	
sec-Butylbenzene	39		"	50.0	0.0	77.8	10-157		19.2	56	
Styrene	38		"	50.0	0.0	77.0	13-171		20.6	39	
tert-Butyl alcohol (TBA)	120		"	250	0.0	46.4	34-179		8.28	35	
tert-Butylbenzene	40		"	50.0	0.0	79.4	10-160		16.8	79	
Tetrachloroethylene	67		"	50.0	52	30.3	30-167		105	33 Non-dir.	
Toluene	41		"	50.0	0.0	81.6	21-160		19.7	50	
trans-1,2-Dichloroethylene	36		"	50.0	0.0	72.8	29-153		16.6	30	
trans-1,3-Dichloropropylene	37		"	50.0	0.0	74.2	18-155		15.4	30	
trans-1,4-dichloro-2-butene	42		"	50.0	0.0	83.3	17-154		9.53	30	
Trichloroethylene	42		"	50.0	0.0	83.8	24-169		14.7	30	
Trichlorofluoromethane	38		"	50.0	0.0	76.8	35-142		13.5	30	
Vinyl Chloride	34		"	50.0	0.0	67.1	12-160		21.7	35	
<i>Surrogate: Surr: 1,2-Dichloroethane-d4</i>	<i>50.6</i>		<i>"</i>	<i>50.0</i>		<i>101</i>	<i>77-125</i>				
<i>Surrogate: Surr: Toluene-d8</i>	<i>51.7</i>		<i>"</i>	<i>50.0</i>		<i>103</i>	<i>85-120</i>				
<i>Surrogate: Surr: p-Bromofluorobenzene</i>	<i>49.7</i>		<i>"</i>	<i>50.0</i>		<i>99.4</i>	<i>76-130</i>				



**Volatile Organic Compounds by GC/MS - Quality Control Data**

**York Analytical Laboratories, Inc.**

Analyte	Result	Reporting	Units	Spike	Source*	%REC	%REC	Limits	Flag	RPD	Limit	Flag
		Limit								RPD		

**Batch BD90259 - EPA 5035A**

**Blank (BD90259-BLK1)**

Prepared & Analyzed: 04/05/2019

1,1,1,2-Tetrachloroethane	ND	5.0	ug/kg wet
1,1,1-Trichloroethane	ND	5.0	"
1,1,2,2-Tetrachloroethane	ND	5.0	"
1,1,2-Trichloro-1,2,2-trifluoroethane (Freon 113)	ND	5.0	"
1,1,2-Trichloroethane	ND	5.0	"
1,1-Dichloroethane	ND	5.0	"
1,1-Dichloroethylene	ND	5.0	"
1,2,3-Trichlorobenzene	ND	5.0	"
1,2,3-Trichloropropane	ND	5.0	"
1,2,4-Trichlorobenzene	ND	5.0	"
1,2,4-Trimethylbenzene	ND	5.0	"
1,2-Dibromo-3-chloropropane	ND	5.0	"
1,2-Dibromoethane	ND	5.0	"
1,2-Dichlorobenzene	ND	5.0	"
1,2-Dichloroethane	ND	5.0	"
1,2-Dichloropropane	ND	5.0	"
1,3,5-Trimethylbenzene	ND	5.0	"
1,3-Dichlorobenzene	ND	5.0	"
1,4-Dichlorobenzene	ND	5.0	"
1,4-Dioxane	ND	100	"
2-Butanone	ND	5.0	"
2-Hexanone	ND	5.0	"
4-Methyl-2-pentanone	ND	5.0	"
Acetone	ND	10	"
Acrolein	ND	10	"
Acrylonitrile	ND	5.0	"
Benzene	ND	5.0	"
Bromochloromethane	ND	5.0	"
Bromodichloromethane	ND	5.0	"
Bromoform	ND	5.0	"
Bromomethane	ND	5.0	"
Carbon disulfide	ND	5.0	"
Carbon tetrachloride	ND	5.0	"
Chlorobenzene	ND	5.0	"
Chloroethane	ND	5.0	"
Chloroform	ND	5.0	"
Chloromethane	2.8	5.0	"
cis-1,2-Dichloroethylene	ND	5.0	"
cis-1,3-Dichloropropylene	ND	5.0	"
Cyclohexane	ND	5.0	"
Dibromochloromethane	ND	5.0	"
Dibromomethane	ND	5.0	"
Dichlorodifluoromethane	ND	5.0	"
Ethyl Benzene	ND	5.0	"
Hexachlorobutadiene	ND	5.0	"
Isopropylbenzene	ND	5.0	"
Methyl acetate	ND	5.0	"
Methyl tert-butyl ether (MTBE)	ND	5.0	"
Methylcyclohexane	ND	5.0	"
Methylene chloride	ND	10	"
n-Butylbenzene	ND	5.0	"



Volatile Organic Compounds by GC/MS - Quality Control Data

York Analytical Laboratories, Inc.

Analyte	Result	Reporting Limit	Units	Spike Level	Source* Result	%REC	%REC Limits	Flag	RPD	RPD Limit	Flag
---------	--------	-----------------	-------	-------------	----------------	------	-------------	------	-----	-----------	------

Batch BD90259 - EPA 5035A

Blank (BD90259-BLK1)

Prepared & Analyzed: 04/05/2019

n-Propylbenzene	ND	5.0	ug/kg wet								
o-Xylene	ND	5.0	"								
p- & m- Xylenes	ND	10	"								
p-Isopropyltoluene	ND	5.0	"								
sec-Butylbenzene	ND	5.0	"								
Styrene	ND	5.0	"								
tert-Butyl alcohol (TBA)	ND	5.0	"								
tert-Butylbenzene	ND	5.0	"								
Tetrachloroethylene	ND	5.0	"								
Toluene	ND	5.0	"								
trans-1,2-Dichloroethylene	ND	5.0	"								
trans-1,3-Dichloropropylene	ND	5.0	"								
trans-1,4-dichloro-2-butene	ND	5.0	"								
Trichloroethylene	ND	5.0	"								
Trichlorofluoromethane	ND	5.0	"								
Vinyl Chloride	ND	5.0	"								
Xylenes, Total	ND	15	"								

Surrogate: SURRE: 1,2-Dichloroethane-d4	51.1		ug/L	50.0		102	77-125				
Surrogate: SURRE: Toluene-d8	51.0		"	50.0		102	85-120				
Surrogate: SURRE: p-Bromofluorobenzene	49.3		"	50.0		98.6	76-130				

LCS (BD90259-BS1)

Prepared & Analyzed: 04/05/2019

1,1,1,2-Tetrachloroethane	47		ug/L	50.0		94.4	75-129				
1,1,1-Trichloroethane	45		"	50.0		90.2	71-137				
1,1,2,2-Tetrachloroethane	48		"	50.0		96.3	79-129				
1,1,2-Trichloro-1,2,2-trifluoroethane (Freon 113)	44		"	50.0		87.9	58-146				
1,1,2-Trichloroethane	47		"	50.0		94.1	83-123				
1,1-Dichloroethane	43		"	50.0		86.5	75-130				
1,1-Dichloroethylene	41		"	50.0		82.4	64-137				
1,2,3-Trichlorobenzene	48		"	50.0		95.9	81-140				
1,2,3-Trichloropropane	46		"	50.0		91.9	81-126				
1,2,4-Trichlorobenzene	50		"	50.0		99.5	80-141				
1,2,4-Trimethylbenzene	46		"	50.0		92.6	84-125				
1,2-Dibromo-3-chloropropane	46		"	50.0		92.3	74-142				
1,2-Dibromoethane	49		"	50.0		97.0	86-123				
1,2-Dichlorobenzene	48		"	50.0		95.7	85-122				
1,2-Dichloroethane	44		"	50.0		87.9	71-133				
1,2-Dichloropropane	45		"	50.0		90.8	81-122				
1,3,5-Trimethylbenzene	57		"	50.0		113	82-126				
1,3-Dichlorobenzene	47		"	50.0		93.9	84-124				
1,4-Dichlorobenzene	46		"	50.0		91.6	84-124				
1,4-Dioxane	240		"	1050		23.0	10-228				
2-Butanone	40		"	50.0		80.1	58-147				
2-Hexanone	47		"	50.0		93.5	70-139				
4-Methyl-2-pentanone	46		"	50.0		91.9	72-132				
Acetone	42		"	50.0		84.1	36-155				
Acrolein	57		"	50.0		114	10-238				
Acrylonitrile	41		"	50.0		81.9	66-141				
Benzene	44		"	50.0		88.0	77-127				
Bromochloromethane	42		"	50.0		84.8	74-129				
Bromodichloromethane	48		"	50.0		95.2	81-124				



Volatile Organic Compounds by GC/MS - Quality Control Data

York Analytical Laboratories, Inc.

Analyte	Result	Reporting		Spike Level	Source* Result	%REC	%REC Limits	Flag	RPD	
		Limit	Units						RPD	Limit

Batch BD90259 - EPA 5035A

LCS (BD90259-BS1)

Prepared & Analyzed: 04/05/2019

Bromoform	42		ug/L	50.0		83.6	80-136			
Bromomethane	43		"	50.0		85.8	32-177			
Carbon disulfide	39		"	50.0		78.1	10-136			
Carbon tetrachloride	43		"	50.0		86.4	66-143			
Chlorobenzene	47		"	50.0		94.1	86-120			
Chloroethane	37		"	50.0		73.2	51-142			
Chloroform	44		"	50.0		88.4	76-131			
Chloromethane	45		"	50.0		89.4	49-132			
cis-1,2-Dichloroethylene	43		"	50.0		85.1	74-132			
cis-1,3-Dichloropropylene	48		"	50.0		96.1	81-129			
Cyclohexane	45		"	50.0		89.4	70-130			
Dibromochloromethane	47		"	50.0		94.1	10-200			
Dibromomethane	46		"	50.0		92.7	83-124			
Dichlorodifluoromethane	24		"	50.0		47.0	28-158			
Ethyl Benzene	48		"	50.0		96.8	84-125			
Hexachlorobutadiene	49		"	50.0		97.2	83-133			
Isopropylbenzene	45		"	50.0		89.7	81-127			
Methyl acetate	40		"	50.0		79.4	41-143			
Methyl tert-butyl ether (MTBE)	46		"	50.0		92.9	74-131			
Methylcyclohexane	50		"	50.0		99.7	70-130			
Methylene chloride	45		"	50.0		90.3	57-141			
n-Butylbenzene	49		"	50.0		97.6	80-130			
n-Propylbenzene	47		"	50.0		93.2	74-136			
o-Xylene	48		"	50.0		96.2	83-123			
p- & m- Xylenes	97		"	100		96.8	82-128			
p-Isopropyltoluene	49		"	50.0		97.2	85-125			
sec-Butylbenzene	50		"	50.0		99.4	83-125			
Styrene	47		"	50.0		94.3	86-126			
tert-Butyl alcohol (TBA)	130		"	250		51.4	70-130	Low Bias		
tert-Butylbenzene	46		"	50.0		91.9	80-127			
Tetrachloroethylene	38		"	50.0		76.5	80-129	Low Bias		
Toluene	46		"	50.0		92.5	85-121			
trans-1,2-Dichloroethylene	41		"	50.0		82.4	72-132			
trans-1,3-Dichloropropylene	47		"	50.0		94.2	78-132			
trans-1,4-dichloro-2-butene	48		"	50.0		95.3	75-135			
Trichloroethylene	48		"	50.0		96.0	84-123			
Trichlorofluoromethane	41		"	50.0		82.3	62-140			
Vinyl Chloride	37		"	50.0		74.0	52-130			
Surrogate: SURRE: 1,2-Dichloroethane-d4	51.3		"	50.0		103	77-125			
Surrogate: SURRE: Toluene-d8	52.6		"	50.0		105	85-120			
Surrogate: SURRE: p-Bromofluorobenzene	49.2		"	50.0		98.4	76-130			



**Volatile Organic Compounds by GC/MS - Quality Control Data**

**York Analytical Laboratories, Inc.**

Analyte	Result	Reporting		Spike Level	Source* Result	%REC	%REC Limits	Flag	RPD	
		Limit	Units						RPD	Limit
<b>Batch BD90259 - EPA 5035A</b>										
<b>LCS Dup (BD90259-BSD1)</b>										
Prepared & Analyzed: 04/05/2019										
1,1,1,2-Tetrachloroethane	47		ug/L	50.0		93.5	75-129		1.00	30
1,1,1-Trichloroethane	45		"	50.0		90.1	71-137		0.133	30
1,1,2,2-Tetrachloroethane	47		"	50.0		94.6	79-129		1.82	30
1,1,2-Trichloro-1,2,2-trifluoroethane (Freon 113)	41		"	50.0		82.1	58-146		6.89	30
1,1,2-Trichloroethane	45		"	50.0		89.7	83-123		4.83	30
1,1-Dichloroethane	41		"	50.0		81.3	75-130		6.15	30
1,1-Dichloroethylene	38		"	50.0		76.2	64-137		7.82	30
1,2,3-Trichlorobenzene	47		"	50.0		93.9	81-140		2.11	30
1,2,3-Trichloropropane	45		"	50.0		89.0	81-126		3.18	30
1,2,4-Trichlorobenzene	48		"	50.0		96.3	80-141		3.23	30
1,2,4-Trimethylbenzene	46		"	50.0		91.4	84-125		1.30	30
1,2-Dibromo-3-chloropropane	42		"	50.0		84.3	74-142		9.11	30
1,2-Dibromoethane	46		"	50.0		92.5	86-123		4.77	30
1,2-Dichlorobenzene	45		"	50.0		91.0	85-122		5.12	30
1,2-Dichloroethane	43		"	50.0		86.5	71-133		1.54	30
1,2-Dichloropropane	44		"	50.0		87.0	81-122		4.21	30
1,3,5-Trimethylbenzene	56		"	50.0		112	82-126		1.35	30
1,3-Dichlorobenzene	45		"	50.0		90.8	84-124		3.38	30
1,4-Dichlorobenzene	45		"	50.0		90.6	84-124		1.10	30
1,4-Dioxane	220		"	1050		20.9	10-228		9.62	30
2-Butanone	40		"	50.0		80.5	58-147		0.423	30
2-Hexanone	45		"	50.0		89.3	70-139		4.55	30
4-Methyl-2-pentanone	44		"	50.0		87.5	72-132		4.91	30
Acetone	35		"	50.0		70.6	36-155		17.4	30
Acrolein	52		"	50.0		103	10-238		9.95	30
Acrylonitrile	40		"	50.0		79.5	66-141		3.05	30
Benzene	43		"	50.0		86.8	77-127		1.35	30
Bromochloromethane	42		"	50.0		84.4	74-129		0.449	30
Bromodichloromethane	46		"	50.0		92.9	81-124		2.38	30
Bromoform	42		"	50.0		83.7	80-136		0.143	30
Bromomethane	38		"	50.0		75.0	32-177		13.4	30
Carbon disulfide	37		"	50.0		73.5	10-136		6.02	30
Carbon tetrachloride	42		"	50.0		84.4	66-143		2.27	30
Chlorobenzene	46		"	50.0		91.4	86-120		2.93	30
Chloroethane	37		"	50.0		73.9	51-142		0.952	30
Chloroform	42		"	50.0		84.5	76-131		4.51	30
Chloromethane	42		"	50.0		84.1	49-132		6.06	30
cis-1,2-Dichloroethylene	38		"	50.0		76.0	74-132		11.3	30
cis-1,3-Dichloropropylene	46		"	50.0		92.2	81-129		4.16	30
Cyclohexane	43		"	50.0		86.7	70-130		3.07	30
Dibromochloromethane	47		"	50.0		94.3	10-200		0.276	30
Dibromomethane	44		"	50.0		88.6	83-124		4.54	30
Dichlorodifluoromethane	25		"	50.0		49.6	28-158		5.30	30
Ethyl Benzene	48		"	50.0		96.2	84-125		0.643	30
Hexachlorobutadiene	51		"	50.0		102	83-133		4.58	30
Isopropylbenzene	46		"	50.0		91.6	81-127		2.10	30
Methyl acetate	36		"	50.0		72.2	41-143		9.58	30
Methyl tert-butyl ether (MTBE)	44		"	50.0		88.7	74-131		4.60	30
Methylcyclohexane	48		"	50.0		96.1	70-130		3.70	30
Methylene chloride	43		"	50.0		86.3	57-141		4.53	30
n-Butylbenzene	45		"	50.0		90.4	80-130		7.59	30





**Volatile Organic Compounds by GC/MS - Quality Control Data**

**York Analytical Laboratories, Inc.**

Analyte	Result	Reporting	Units	Spike	Source*	%REC	%REC	Limits	Flag	RPD	RPD	Limit	Flag
		Limit			Result					Limit			

**Batch BD90259 - EPA 5035A**

**LCS Dup (BD90259-BSD1)**

Prepared & Analyzed: 04/05/2019

n-Propylbenzene	48		ug/L	50.0		95.5	74-136			2.46	30		
o-Xylene	47		"	50.0		94.7	83-123			1.59	30		
p- & m- Xylenes	93		"	100		93.3	82-128			3.68	30		
p-Isopropyltoluene	48		"	50.0		97.0	85-125			0.206	30		
sec-Butylbenzene	49		"	50.0		99.0	83-125			0.444	30		
Styrene	46		"	50.0		92.5	86-126			1.88	30		
tert-Butyl alcohol (TBA)	110		"	250		45.8	70-130	Low Bias		11.6	30		
tert-Butylbenzene	45		"	50.0		91.0	80-127			1.03	30		
Tetrachloroethylene	38		"	50.0		76.3	80-129	Low Bias		0.340	30		
Toluene	45		"	50.0		90.8	85-121			1.85	30		
trans-1,2-Dichloroethylene	40		"	50.0		79.1	72-132			4.01	30		
trans-1,3-Dichloropropylene	47		"	50.0		94.0	78-132			0.170	30		
trans-1,4-dichloro-2-butene	45		"	50.0		90.7	75-135			4.95	30		
Trichloroethylene	45		"	50.0		89.9	84-123			6.50	30		
Trichlorofluoromethane	40		"	50.0		80.9	62-140			1.79	30		
Vinyl Chloride	36		"	50.0		73.0	52-130			1.33	30		
<i>Surrogate: SURR: 1,2-Dichloroethane-d4</i>	<i>50.9</i>		<i>"</i>	<i>50.0</i>		<i>102</i>	<i>77-125</i>						
<i>Surrogate: SURR: Toluene-d8</i>	<i>52.5</i>		<i>"</i>	<i>50.0</i>		<i>105</i>	<i>85-120</i>						
<i>Surrogate: SURR: p-Bromofluorobenzene</i>	<i>49.7</i>		<i>"</i>	<i>50.0</i>		<i>99.4</i>	<i>76-130</i>						



**Semivolatile Organic Compounds by GC/MS - Quality Control Data**  
**York Analytical Laboratories, Inc.**

Analyte	Result	Reporting	Units	Spike	Source*	%REC	%REC	Limits	Flag	RPD	Limit	Flag
		Limit			Result					RPD		

**Batch BD90138 - EPA 3510C/1311**

**Blank (BD90138-BLK1)**

Prepared: 04/02/2019 Analyzed: 04/03/2019

1,4-Dichlorobenzene	ND	10.0	ug/L									
2,4,5-Trichlorophenol	ND	10.0	"									
2,4,6-Trichlorophenol	ND	10.0	"									
2,4-Dinitrotoluene	ND	10.0	"									
2-Methylphenol	ND	10.0	"									
3- & 4-Methylphenols	7.58	10.0	"									
Cresols, total	ND	30.0	"									
Hexachlorobenzene	ND	10.0	"									
Hexachlorobutadiene	ND	10.0	"									
Hexachloroethane	ND	5.00	"									
Nitrobenzene	ND	10.0	"									
Pentachlorophenol	ND	10.0	"									
Pyridine	ND	10.0	"									
<hr/>												
<i>Surrogate: SURR: 2-Fluorophenol</i>	<i>49.5</i>		<i>"</i>	<i>100</i>		<i>49.5</i>	<i>10-90.9</i>					
<i>Surrogate: SURR: Phenol-d5</i>	<i>31.1</i>		<i>"</i>	<i>100</i>		<i>31.1</i>	<i>10-69.2</i>					
<i>Surrogate: SURR: Nitrobenzene-d5</i>	<i>35.0</i>		<i>"</i>	<i>50.0</i>		<i>70.1</i>	<i>19.2-141</i>					
<i>Surrogate: SURR: 2-Fluorobiphenyl</i>	<i>42.7</i>		<i>"</i>	<i>50.0</i>		<i>85.4</i>	<i>24.8-127</i>					
<i>Surrogate: SURR: 2,4,6-Tribromophenol</i>	<i>85.9</i>		<i>"</i>	<i>100</i>		<i>85.9</i>	<i>23-163</i>					
<i>Surrogate: SURR: Terphenyl-d14</i>	<i>46.8</i>		<i>"</i>	<i>50.0</i>		<i>93.7</i>	<i>25.8-110</i>					

**LCS (BD90138-BS1)**

Prepared: 04/02/2019 Analyzed: 04/03/2019

1,4-Dichlorobenzene	34.6	10.0	ug/L	50.0		69.1	30-105					
2,4,5-Trichlorophenol	42.0	10.0	"	50.0		84.0	32-114					
2,4,6-Trichlorophenol	42.5	10.0	"	50.0		85.0	35-118					
2,4-Dinitrotoluene	44.7	10.0	"	50.0		89.5	41-128					
2-Methylphenol	31.7	10.0	"	50.0		63.4	10-110					
3- & 4-Methylphenols	28.0	10.0	"	50.0		56.0	10-107					
Cresols, total	59.7	30.0	"	100		59.7	30-130					
Hexachlorobenzene	35.7	10.0	"	50.0		71.5	23-124					
Hexachlorobutadiene	36.6	10.0	"	50.0		73.1	15-123					
Hexachloroethane	33.0	5.00	"	50.0		65.9	18-115					
Nitrobenzene	34.6	10.0	"	50.0		69.2	21-121					
Pentachlorophenol	40.5	10.0	"	50.0		81.0	10-156					
Pyridine	90.6	10.0	"	70.0		129	10-90				High Bias	
<hr/>												
<i>Surrogate: SURR: 2-Fluorophenol</i>	<i>61.9</i>		<i>"</i>	<i>100</i>		<i>61.9</i>	<i>10-90.9</i>					
<i>Surrogate: SURR: Phenol-d5</i>	<i>42.4</i>		<i>"</i>	<i>100</i>		<i>42.4</i>	<i>10-69.2</i>					
<i>Surrogate: SURR: Nitrobenzene-d5</i>	<i>36.0</i>		<i>"</i>	<i>50.0</i>		<i>72.0</i>	<i>19.2-141</i>					
<i>Surrogate: SURR: 2-Fluorobiphenyl</i>	<i>45.0</i>		<i>"</i>	<i>50.0</i>		<i>89.9</i>	<i>24.8-127</i>					
<i>Surrogate: SURR: 2,4,6-Tribromophenol</i>	<i>91.0</i>		<i>"</i>	<i>100</i>		<i>91.0</i>	<i>23-163</i>					
<i>Surrogate: SURR: Terphenyl-d14</i>	<i>50.1</i>		<i>"</i>	<i>50.0</i>		<i>100</i>	<i>25.8-110</i>					



**Semivolatile Organic Compounds by GC/MS - Quality Control Data**  
**York Analytical Laboratories, Inc.**

Analyte	Result	Reporting Limit	Units	Spike Level	Source* Result	%REC	%REC Limits	Flag	RPD	RPD Limit	Flag
---------	--------	-----------------	-------	-------------	----------------	------	-------------	------	-----	-----------	------

**Batch BD90138 - EPA 3510C/1311**

**LCS Dup (BD90138-BSD1)**

Prepared: 04/02/2019 Analyzed: 04/03/2019

1,4-Dichlorobenzene	32.2	10.0	ug/L	50.0		64.3	30-105		7.19	20	
2,4,5-Trichlorophenol	37.7	10.0	"	50.0		75.4	32-114		10.7	20	
2,4,6-Trichlorophenol	37.7	10.0	"	50.0		75.4	35-118		12.1	20	
2,4-Dinitrotoluene	39.6	10.0	"	50.0		79.3	41-128		12.1	20	
2-Methylphenol	29.1	10.0	"	50.0		58.2	10-110		8.49	20	
3- & 4-Methylphenols	25.0	10.0	"	50.0		49.9	10-107		11.6	20	
Cresols, total	54.1	30.0	"	100		54.1	30-130		9.92	20	
Hexachlorobenzene	31.4	10.0	"	50.0		62.9	23-124		12.8	20	
Hexachlorobutadiene	32.2	10.0	"	50.0		64.4	15-123		12.7	20	
Hexachloroethane	30.3	5.00	"	50.0		60.5	18-115		8.54	20	
Nitrobenzene	31.4	10.0	"	50.0		62.8	21-121		9.64	20	
Pentachlorophenol	33.2	10.0	"	50.0		66.4	10-156		19.8	20	
Pyridine	83.6	10.0	"	70.0		119	10-90	High Bias	8.01	20	
<i>Surrogate: SURR: 2-Fluorophenol</i>	<i>54.6</i>		<i>"</i>	<i>100</i>		<i>54.6</i>	<i>10-90.9</i>				
<i>Surrogate: SURR: Phenol-d5</i>	<i>35.9</i>		<i>"</i>	<i>100</i>		<i>35.9</i>	<i>10-69.2</i>				
<i>Surrogate: SURR: Nitrobenzene-d5</i>	<i>33.0</i>		<i>"</i>	<i>50.0</i>		<i>66.0</i>	<i>19.2-141</i>				
<i>Surrogate: SURR: 2-Fluorobiphenyl</i>	<i>39.7</i>		<i>"</i>	<i>50.0</i>		<i>79.4</i>	<i>24.8-127</i>				
<i>Surrogate: SURR: 2,4,6-Tribromophenol</i>	<i>82.1</i>		<i>"</i>	<i>100</i>		<i>82.1</i>	<i>23-163</i>				
<i>Surrogate: SURR: Terphenyl-d14</i>	<i>43.7</i>		<i>"</i>	<i>50.0</i>		<i>87.4</i>	<i>25.8-110</i>				

**Duplicate (BD90138-DUP1)**

\*Source sample: 19C1272-32 (PD1-Composite 1 (0-8))

Prepared: 04/02/2019 Analyzed: 04/03/2019

1,4-Dichlorobenzene	ND	10.0	ug/L		ND					200	
2,4,5-Trichlorophenol	ND	10.0	"		ND					200	
2,4,6-Trichlorophenol	ND	10.0	"		ND					200	
2,4-Dinitrotoluene	ND	10.0	"		ND					200	
2-Methylphenol	ND	10.0	"		ND					200	
3- & 4-Methylphenols	ND	10.0	"		ND					200	
Cresols, total	ND	30.0	"		ND					200	
Hexachlorobenzene	ND	10.0	"		ND					200	
Hexachlorobutadiene	ND	10.0	"		ND					200	
Hexachloroethane	ND	5.00	"		ND					200	
Nitrobenzene	ND	10.0	"		ND					200	
Pentachlorophenol	ND	10.0	"		ND					200	
Pyridine	ND	10.0	"		ND					200	
<i>Surrogate: SURR: 2-Fluorophenol</i>	<i>52.5</i>		<i>"</i>	<i>100</i>		<i>52.5</i>	<i>10-90.9</i>				
<i>Surrogate: SURR: Phenol-d5</i>	<i>37.3</i>		<i>"</i>	<i>100</i>		<i>37.3</i>	<i>10-69.2</i>				
<i>Surrogate: SURR: Nitrobenzene-d5</i>	<i>34.9</i>		<i>"</i>	<i>50.0</i>		<i>69.8</i>	<i>19.2-141</i>				
<i>Surrogate: SURR: 2-Fluorobiphenyl</i>	<i>40.4</i>		<i>"</i>	<i>50.0</i>		<i>80.8</i>	<i>24.8-127</i>				
<i>Surrogate: SURR: 2,4,6-Tribromophenol</i>	<i>80.6</i>		<i>"</i>	<i>100</i>		<i>80.6</i>	<i>23-163</i>				
<i>Surrogate: SURR: Terphenyl-d14</i>	<i>45.5</i>		<i>"</i>	<i>50.0</i>		<i>91.0</i>	<i>25.8-110</i>				



Semivolatile Organic Compounds by GC/MS - Quality Control Data

York Analytical Laboratories, Inc.

Analyte	Result	Reporting	Units	Spike	Source*	%REC	%REC	Limits	Flag	RPD	Limit	Flag
		Limit			Result					RPD		

**Batch BD90138 - EPA 3510C/1311**

**Leach Fluid Blank (BD90138-LBK1)**

Prepared: 04/02/2019 Analyzed: 04/03/2019

1,4-Dichlorobenzene	ND	10.0	ug/L									
2,4,5-Trichlorophenol	ND	10.0	"									
2,4,6-Trichlorophenol	ND	10.0	"									
2,4-Dinitrotoluene	ND	10.0	"									
2-Methylphenol	ND	10.0	"									
3- & 4-Methylphenols	ND	10.0	"									
Cresols, total	ND	30.0	"									
Hexachlorobenzene	ND	10.0	"									
Hexachlorobutadiene	ND	10.0	"									
Hexachloroethane	ND	5.00	"									
Nitrobenzene	ND	10.0	"									
Pentachlorophenol	ND	10.0	"									
Pyridine	ND	10.0	"									
<i>Surrogate: SURR: 2-Fluorophenol</i>	49.8		"	100		49.8	10-90.9					
<i>Surrogate: SURR: Phenol-d5</i>	35.0		"	100		35.0	10-69.2					
<i>Surrogate: SURR: Nitrobenzene-d5</i>	30.1		"	50.0		60.3	19.2-141					
<i>Surrogate: SURR: 2-Fluorobiphenyl</i>	36.3		"	50.0		72.6	24.8-127					
<i>Surrogate: SURR: 2,4,6-Tribromophenol</i>	75.0		"	100		75.0	23-163					
<i>Surrogate: SURR: Terphenyl-d14</i>	39.8		"	50.0		79.5	25.8-110					

**Batch BD90240 - EPA 3550C**

**Blank (BD90240-BLK1)**

Prepared: 04/04/2019 Analyzed: 04/05/2019

1,1-Biphenyl	ND	41.6	ug/kg wet									
1,2,4,5-Tetrachlorobenzene	ND	83.0	"									
1,2,4-Trichlorobenzene	ND	41.6	"									
1,2-Dichlorobenzene	ND	41.6	"									
1,2-Diphenylhydrazine (as Azobenzene)	ND	41.6	"									
1,3-Dichlorobenzene	ND	41.6	"									
1,4-Dichlorobenzene	ND	41.6	"									
2,3,4,6-Tetrachlorophenol	ND	83.0	"									
2,4,5-Trichlorophenol	ND	41.6	"									
2,4,6-Trichlorophenol	ND	41.6	"									
2,4-Dichlorophenol	ND	41.6	"									
2,4-Dimethylphenol	ND	41.6	"									
2,4-Dinitrophenol	ND	83.0	"									
2,4-Dinitrotoluene	ND	41.6	"									
2,6-Dinitrotoluene	ND	41.6	"									
2-Chloronaphthalene	ND	41.6	"									
2-Chlorophenol	ND	41.6	"									
2-Methylnaphthalene	ND	41.6	"									
2-Methylphenol	ND	41.6	"									
2-Nitroaniline	ND	83.0	"									
2-Nitrophenol	ND	41.6	"									
3- & 4-Methylphenols	ND	41.6	"									
3,3-Dichlorobenzidine	ND	41.6	"									
3-Nitroaniline	ND	83.0	"									
4,6-Dinitro-2-methylphenol	ND	83.0	"									
4-Bromophenyl phenyl ether	ND	41.6	"									
4-Chloro-3-methylphenol	ND	41.6	"									
4-Chloroaniline	ND	41.6	"									



Semivolatile Organic Compounds by GC/MS - Quality Control Data

York Analytical Laboratories, Inc.

Analyte	Result	Reporting	Units	Spike	Source*	%REC	%REC	Limits	Flag	RPD	Flag
		Limit								RPD	

Batch BD90240 - EPA 3550C

Blank (BD90240-BLK1)

Prepared: 04/04/2019 Analyzed: 04/05/2019

4-Chlorophenyl phenyl ether	ND	41.6	ug/kg wet								
4-Nitroaniline	ND	83.0	"								
4-Nitrophenol	ND	83.0	"								
Acenaphthene	ND	41.6	"								
Acenaphthylene	ND	41.6	"								
Acetophenone	ND	41.6	"								
Aniline	ND	166	"								
Anthracene	ND	41.6	"								
Atrazine	ND	41.6	"								
Benzaldehyde	ND	41.6	"								
Benzidine	ND	166	"								
Benzo(a)anthracene	ND	41.6	"								
Benzo(a)pyrene	ND	41.6	"								
Benzo(b)fluoranthene	ND	41.6	"								
Benzo(g,h,i)perylene	ND	41.6	"								
Benzo(k)fluoranthene	ND	41.6	"								
Benzoic acid	ND	41.6	"								
Benzyl alcohol	ND	41.6	"								
Benzyl butyl phthalate	ND	41.6	"								
Bis(2-chloroethoxy)methane	ND	41.6	"								
Bis(2-chloroethyl)ether	ND	41.6	"								
Bis(2-chloroisopropyl)ether	ND	41.6	"								
Bis(2-ethylhexyl)phthalate	25.9	41.6	"								
Caprolactam	ND	83.0	"								
Carbazole	ND	41.6	"								
Chrysene	ND	41.6	"								
Dibenzo(a,h)anthracene	ND	41.6	"								
Dibenzofuran	ND	41.6	"								
Diethyl phthalate	ND	41.6	"								
Dimethyl phthalate	ND	41.6	"								
Di-n-butyl phthalate	ND	41.6	"								
Di-n-octyl phthalate	ND	41.6	"								
Fluoranthene	ND	41.6	"								
Fluorene	ND	41.6	"								
Hexachlorobenzene	ND	41.6	"								
Hexachlorobutadiene	ND	41.6	"								
Hexachlorocyclopentadiene	ND	41.6	"								
Hexachloroethane	ND	41.6	"								
Indeno(1,2,3-cd)pyrene	ND	41.6	"								
Isophorone	ND	41.6	"								
Naphthalene	ND	41.6	"								
Nitrobenzene	ND	41.6	"								
N-Nitrosodimethylamine	ND	41.6	"								
N-nitroso-di-n-propylamine	ND	41.6	"								
N-Nitrosodiphenylamine	ND	41.6	"								
Pentachlorophenol	ND	41.6	"								
Phenanthrene	ND	41.6	"								
Phenol	ND	41.6	"								
Pyrene	ND	41.6	"								
Surrogate: SURR: 2-Fluorophenol	1960		"	1660		118		20-108			
Surrogate: SURR: Phenol-d5	1630		"	1660		98.2		23-114			



Semivolatile Organic Compounds by GC/MS - Quality Control Data

York Analytical Laboratories, Inc.

Analyte	Result	Reporting Limit	Units	Spike Level	Source* Result	%REC	%REC Limits	Flag	RPD	RPD Limit	Flag
<b>Batch BD90240 - EPA 3550C</b>											
<b>Blank (BD90240-BLK1)</b>										Prepared: 04/04/2019 Analyzed: 04/05/2019	
Surrogate: SURR: Nitrobenzene-d5	1040		ug/kg wet	831		125	22-108				
Surrogate: SURR: 2-Fluorobiphenyl	1020		"	831		122	21-113				
Surrogate: SURR: 2,4,6-Tribromophenol	1990		"	1660		120	19-110				
Surrogate: SURR: Terphenyl-d14	1120		"	831		134	24-116				
<b>LCS (BD90240-BS1)</b>										Prepared: 04/04/2019 Analyzed: 04/05/2019	
1,1-Biphenyl	828	41.6	ug/kg wet	831		99.7	22-103				
1,2,4,5-Tetrachlorobenzene	1150	83.0	"	831		138	10-144				
1,2,4-Trichlorobenzene	801	41.6	"	831		96.4	23-130				
1,2-Dichlorobenzene	725	41.6	"	831		87.3	26-113				
1,2-Diphenylhydrazine (as Azobenzene)	856	41.6	"	831		103	10-140				
1,3-Dichlorobenzene	710	41.6	"	831		85.5	32-113				
1,4-Dichlorobenzene	722	41.6	"	831		87.0	28-111				
2,3,4,6-Tetrachlorophenol	1800	83.0	"	831		216	30-130	High Bias			
2,4,5-Trichlorophenol	820	41.6	"	831		98.7	14-138				
2,4,6-Trichlorophenol	899	41.6	"	831		108	27-122				
2,4-Dichlorophenol	884	41.6	"	831		106	23-133				
2,4-Dimethylphenol	792	41.6	"	831		95.3	15-131				
2,4-Dinitrophenol	522	83.0	"	831		62.9	10-149				
2,4-Dinitrotoluene	987	41.6	"	831		119	30-123				
2,6-Dinitrotoluene	1080	41.6	"	831		130	30-125	High Bias			
2-Chloronaphthalene	819	41.6	"	831		98.6	22-115				
2-Chlorophenol	772	41.6	"	831		93.0	25-121				
2-Methylnaphthalene	830	41.6	"	831		100	16-127				
2-Methylphenol	711	41.6	"	831		85.6	10-146				
2-Nitroaniline	1000	83.0	"	831		121	24-126				
2-Nitrophenol	902	41.6	"	831		109	17-129				
3- & 4-Methylphenols	653	41.6	"	831		78.7	20-109				
3,3-Dichlorobenzidine	869	41.6	"	831		105	10-147				
3-Nitroaniline	770	83.0	"	831		92.7	23-123				
4,6-Dinitro-2-methylphenol	898	83.0	"	831		108	10-149				
4-Bromophenyl phenyl ether	773	41.6	"	831		93.1	30-138				
4-Chloro-3-methylphenol	924	41.6	"	831		111	16-138				
4-Chloroaniline	550	41.6	"	831		66.2	10-117				
4-Chlorophenyl phenyl ether	860	41.6	"	831		104	18-132				
4-Nitroaniline	950	83.0	"	831		114	14-125				
4-Nitrophenol	1030	83.0	"	831		124	10-136				
Acenaphthene	752	41.6	"	831		90.6	17-124				
Acenaphthylene	783	41.6	"	831		94.3	16-124				
Acetophenone	711	41.6	"	831		85.6	28-105				
Aniline	622	166	"	831		74.9	10-111				
Anthracene	766	41.6	"	831		92.2	24-124				
Atrazine	879	41.6	"	831		106	22-120				
Benzaldehyde	971	41.6	"	831		117	21-100	High Bias			
Benzo(a)anthracene	851	41.6	"	831		102	25-134				
Benzo(a)pyrene	1010	41.6	"	831		122	29-144				
Benzo(b)fluoranthene	984	41.6	"	831		118	20-151				
Benzo(g,h,i)perylene	892	41.6	"	831		107	10-153				
Benzo(k)fluoranthene	852	41.6	"	831		103	10-148				
Benzoic acid	313	41.6	"	1140		27.4	10-116				
Benzyl alcohol	812	41.6	"	831		97.8	17-128				



Semivolatile Organic Compounds by GC/MS - Quality Control Data

York Analytical Laboratories, Inc.

Analyte	Result	Reporting Limit	Units	Spike Level	Source* Result	%REC	%REC Limits	Flag	RPD	RPD Limit	Flag
---------	--------	-----------------	-------	-------------	----------------	------	-------------	------	-----	-----------	------

Batch BD90240 - EPA 3550C

LCS (BD90240-BS1)

Prepared: 04/04/2019 Analyzed: 04/05/2019

Benzyl butyl phthalate	1010	41.6	ug/kg wet	831		121	10-132				
Bis(2-chloroethoxy)methane	757	41.6	"	831		91.2	10-129				
Bis(2-chloroethyl)ether	876	41.6	"	831		105	14-125				
Bis(2-chloroisopropyl)ether	746	41.6	"	831		89.8	14-122				
Bis(2-ethylhexyl)phthalate	1040	41.6	"	831		126	10-141				
Caprolactam	805	83.0	"	831		97.0	10-123				
Carbazole	769	41.6	"	831		92.6	31-120				
Chrysene	860	41.6	"	831		104	24-116				
Dibenzo(a,h)anthracene	971	41.6	"	831		117	17-147				
Dibenzofuran	841	41.6	"	831		101	23-123				
Diethyl phthalate	871	41.6	"	831		105	23-122				
Dimethyl phthalate	850	41.6	"	831		102	28-127				
Di-n-butyl phthalate	775	41.6	"	831		93.4	19-123				
Di-n-octyl phthalate	1120	41.6	"	831		135	10-132	High Bias			
Fluoranthene	755	41.6	"	831		90.9	36-125				
Fluorene	812	41.6	"	831		97.7	16-130				
Hexachlorobenzene	767	41.6	"	831		92.4	10-129				
Hexachlorobutadiene	820	41.6	"	831		98.8	22-153				
Hexachlorocyclopentadiene	604	41.6	"	831		72.7	10-134				
Hexachloroethane	719	41.6	"	831		86.5	20-112				
Indeno(1,2,3-cd)pyrene	932	41.6	"	831		112	10-155				
Isophorone	768	41.6	"	831		92.5	14-131				
Naphthalene	749	41.6	"	831		90.2	20-121				
Nitrobenzene	770	41.6	"	831		92.8	20-121				
N-Nitrosodimethylamine	705	41.6	"	831		84.8	10-124				
N-nitroso-di-n-propylamine	716	41.6	"	831		86.2	21-119				
N-Nitrosodiphenylamine	942	41.6	"	831		113	10-163				
Pentachlorophenol	389	41.6	"	831		46.9	10-143				
Phenanthrene	755	41.6	"	831		90.9	24-123				
Phenol	834	41.6	"	831		100	15-123				
Pyrene	864	41.6	"	831		104	24-132				
Surrogate: SURR: 2-Fluorophenol	1640		"	1660		98.7	20-108				
Surrogate: SURR: Phenol-d5	1400		"	1660		84.4	23-114				
Surrogate: SURR: Nitrobenzene-d5	794		"	831		95.6	22-108				
Surrogate: SURR: 2-Fluorobiphenyl	849		"	831		102	21-113				
Surrogate: SURR: 2,4,6-Tribromophenol	1840		"	1660		111	19-110				
Surrogate: SURR: Terphenyl-d14	918		"	831		111	24-116				



**Organochlorine Pesticides by GC/ECD - Quality Control Data**

**York Analytical Laboratories, Inc.**

Analyte	Result	Reporting Limit	Units	Spike Level	Source* Result	%REC	%REC Limits	Flag	RPD	RPD Limit	Flag
---------	--------	-----------------	-------	-------------	----------------	------	-------------	------	-----	-----------	------

**Batch BD90137 - EPA 3510C/1311**

**Blank (BD90137-BLK1)**

Prepared: 04/02/2019 Analyzed: 04/03/2019

Endrin	ND	0.0400	ug/L								
gamma-BHC (Lindane)	ND	0.0400	"								
Heptachlor	ND	0.0400	"								
Heptachlor epoxide	ND	0.0400	"								
Methoxychlor	ND	0.0400	"								
Toxaphene	ND	1.00	"								
<i>Surrogate: Decachlorobiphenyl</i>	<i>1.09</i>		<i>"</i>	<i>2.00</i>		<i>54.6</i>	<i>30-150</i>				
<i>Surrogate: Tetrachloro-m-xylene</i>	<i>1.55</i>		<i>"</i>	<i>2.00</i>		<i>77.4</i>	<i>30-150</i>				

**LCS (BD90137-BS1)**

Prepared: 04/02/2019 Analyzed: 04/03/2019

Endrin	0.535	0.0400	ug/L	1.00		53.5	40-140				
gamma-BHC (Lindane)	0.845	0.0400	"	1.00		84.5	40-140				
Heptachlor	0.652	0.0400	"	1.00		65.2	40-140				
Heptachlor epoxide	0.698	0.0400	"	1.00		69.8	40-140				
Methoxychlor	0.423	0.0400	"	1.00		42.3	40-140				
<i>Surrogate: Decachlorobiphenyl</i>	<i>0.962</i>		<i>"</i>	<i>2.00</i>		<i>48.1</i>	<i>30-150</i>				
<i>Surrogate: Tetrachloro-m-xylene</i>	<i>1.42</i>		<i>"</i>	<i>2.00</i>		<i>70.9</i>	<i>30-150</i>				

**LCS Dup (BD90137-BSD1)**

Prepared: 04/02/2019 Analyzed: 04/03/2019

Endrin	0.553	0.0400	ug/L	1.00		55.3	40-140	3.33	20		
gamma-BHC (Lindane)	0.858	0.0400	"	1.00		85.8	40-140	1.53	20		
Heptachlor	0.664	0.0400	"	1.00		66.4	40-140	1.75	20		
Heptachlor epoxide	0.710	0.0400	"	1.00		71.0	40-140	1.71	20		
Methoxychlor	0.415	0.0400	"	1.00		41.5	40-140	1.81	20		
<i>Surrogate: Decachlorobiphenyl</i>	<i>1.03</i>		<i>"</i>	<i>2.00</i>		<i>51.3</i>	<i>30-150</i>				
<i>Surrogate: Tetrachloro-m-xylene</i>	<i>1.43</i>		<i>"</i>	<i>2.00</i>		<i>71.3</i>	<i>30-150</i>				

**Duplicate (BD90137-DUP1)**

\*Source sample: 19C1272-32 (PD1-Composite 1 (0-8))

Prepared: 04/02/2019 Analyzed: 04/03/2019

Endrin	ND	0.0400	ug/L		ND					200	
gamma-BHC (Lindane)	ND	0.0400	"		ND					200	
Heptachlor	ND	0.0400	"		ND					200	
Heptachlor epoxide	ND	0.0400	"		ND					200	
Methoxychlor	ND	0.0400	"		ND					200	
Toxaphene	ND	1.00	"		ND					200	
<i>Surrogate: Decachlorobiphenyl</i>	<i>0.987</i>		<i>"</i>	<i>2.00</i>		<i>49.3</i>	<i>30-150</i>				
<i>Surrogate: Tetrachloro-m-xylene</i>	<i>1.06</i>		<i>"</i>	<i>2.00</i>		<i>53.1</i>	<i>30-150</i>				





**Organochlorine Pesticides by GC/ECD - Quality Control Data**

**York Analytical Laboratories, Inc.**

Analyte	Result	Reporting	Units	Spike	Source*	%REC	%REC	Limits	Flag	RPD	RPD	Limit	Flag
		Limit			Result					Limit			

**Batch BD90137 - EPA 3510C/1311**

**Leach Fluid Blank (BD90137-LBK1)**

Prepared: 04/02/2019 Analyzed: 04/03/2019

Endrin	ND	0.0400	ug/L										
gamma-BHC (Lindane)	ND	0.0400	"										
Heptachlor	ND	0.0400	"										
Heptachlor epoxide	ND	0.0400	"										
Methoxychlor	ND	0.0400	"										
Toxaphene	ND	1.00	"										
<i>Surrogate: Decachlorobiphenyl</i>	<i>1.06</i>		<i>"</i>	<i>2.00</i>		<i>53.2</i>		<i>30-150</i>					
<i>Surrogate: Tetrachloro-m-xylene</i>	<i>1.32</i>		<i>"</i>	<i>2.00</i>		<i>65.8</i>		<i>30-150</i>					

**Batch Y9D0414 - BC91139**

**Performance Mix (Y9D0414-PEM1)**

Prepared & Analyzed: 04/03/2019

4,4'-DDD	0.00		ng/mL	0.00				0-200					
4,4'-DDE	0.108		"	0.00				0-200					
4,4'-DDT	153		"	200		76.6		0-200					
Endrin	85.3		"	100		85.3		0-200					
Endrin aldehyde	0.260		"	0.00				0-200					
Endrin ketone	4.97		"	0.00				0-200					



**Polychlorinated Biphenyls by GC/ECD - Quality Control Data**

**York Analytical Laboratories, Inc.**

Analyte	Result	Reporting Limit	Units	Spike Level	Source* Result	%REC	%REC Limits	Flag	RPD	RPD Limit	Flag
---------	--------	-----------------	-------	-------------	----------------	------	-------------	------	-----	-----------	------

**Batch BD90243 - EPA 3550C**

**Blank (BD90243-BLK2)**

Prepared & Analyzed: 04/04/2019

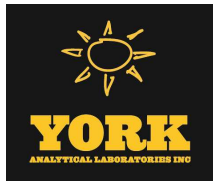
Aroclor 1016	ND	0.0166	mg/kg wet								
Aroclor 1221	ND	0.0166	"								
Aroclor 1232	ND	0.0166	"								
Aroclor 1242	ND	0.0166	"								
Aroclor 1248	ND	0.0166	"								
Aroclor 1254	ND	0.0166	"								
Aroclor 1260	ND	0.0166	"								
Total PCBs	ND	0.0166	"								

<i>Surrogate: Tetrachloro-m-xylene</i>	0.0724		"	0.0664		109	30-140				
<i>Surrogate: Decachlorobiphenyl</i>	0.0794		"	0.0664		120	30-140				

**LCS (BD90243-BS2)**

Prepared & Analyzed: 04/04/2019

Aroclor 1016	0.310	0.0166	mg/kg wet	0.332		93.2	40-130				
Aroclor 1260	0.352	0.0166	"	0.332		106	40-130				
<i>Surrogate: Tetrachloro-m-xylene</i>	0.0674		"	0.0664		102	30-140				
<i>Surrogate: Decachlorobiphenyl</i>	0.0718		"	0.0664		108	30-140				



**Gas Chromatography/Flame Ionization Detector - Quality Control Data**  
**York Analytical Laboratories, Inc.**

Analyte	Result	Reporting	Units	Spike	Source*	%REC	%REC	Limits	Flag	RPD	
		Limit								RPD	Limit
<b>Batch BD90242 - EPA 3545A</b>											
<b>Blank (BD90242-BLK1)</b>											Prepared: 04/04/2019 Analyzed: 04/05/2019
Total EPH	ND	49.5	mg/kg wet								
Surrogate: 1-Chlorooctadecane	6.99		"	9.90		70.6		40-140			
Surrogate: o-Terphenyl	6.97		"	9.90		70.4		40-140			
<b>LCS (BD90242-BS1)</b>											Prepared: 04/04/2019 Analyzed: 04/05/2019
Total EPH	229	49.5	mg/kg wet	356		64.3		40-140			
Surrogate: 1-Chlorooctadecane	6.37		"	9.90		64.4		40-140			
Surrogate: o-Terphenyl	6.11		"	9.90		61.7		40-140			
<b>LCS Dup (BD90242-BSD1)</b>											Prepared: 04/04/2019 Analyzed: 04/05/2019
Total EPH	235	49.5	mg/kg wet	356		66.1		40-140	2.75		30
Surrogate: 1-Chlorooctadecane	6.84		"	9.90		69.0		40-140			
Surrogate: o-Terphenyl	6.48		"	9.90		65.4		40-140			



**Metals by ICP - Quality Control Data**  
**York Analytical Laboratories, Inc.**

Analyte	Result	Reporting	Units	Spike	Source*	%REC	Flag	RPD	RPD	Limit	Flag
		Limit		Level	Result	Limits		Limit			

**Batch BD90028 - EPA 3050B**

**Blank (BD90028-BLK1)**

Prepared & Analyzed: 04/01/2019

Aluminum	ND	5.00	mg/kg wet
Antimony	ND	2.50	"
Arsenic	ND	1.50	"
Barium	ND	2.50	"
Beryllium	ND	0.050	"
Cadmium	ND	0.300	"
Calcium	ND	5.00	"
Chromium	ND	0.500	"
Cobalt	ND	0.400	"
Copper	ND	2.00	"
Iron	ND	25.0	"
Lead	ND	0.500	"
Magnesium	ND	5.00	"
Manganese	ND	0.500	"
Nickel	ND	1.00	"
Potassium	ND	5.00	"
Selenium	ND	2.50	"
Silver	ND	0.500	"
Sodium	ND	50.0	"
Thallium	ND	2.50	"
Vanadium	ND	1.00	"
Zinc	ND	2.50	"

**Batch BD90132 - EPA 3015A/1311**

**Blank (BD90132-BLK1)**

Prepared & Analyzed: 04/02/2019

Arsenic	ND	0.017	mg/L
Barium	ND	0.028	"
Cadmium	ND	0.003	"
Chromium	ND	0.006	"
Lead	ND	0.006	"
Selenium	ND	0.028	"
Silver	ND	0.006	"



**Metals by ICP - Quality Control Data**  
**York Analytical Laboratories, Inc.**

Analyte	Result	Reporting	Units	Spike	Source*	%REC	Flag	RPD	RPD	Limit	Flag
		Limit		Level	Result	Limits		Limit			

**Batch BD90132 - EPA 3015A/1311**

**LCS (BD90132-BS1)**

Prepared & Analyzed: 04/02/2019

Arsenic	2.18	0.017	mg/L	2.22		97.9		80-120			
Barium	2.47	0.028	"	2.22		111		80-120			
Cadmium	0.058	0.003	"	0.0556		105		80-120			
Chromium	0.236	0.006	"	0.222		106		80-120			
Lead	0.594	0.006	"	0.556		107		80-120			
Selenium	1.94	0.028	"	2.22		87.4		80-120			
Silver	0.057	0.006	"	0.0556		103		80-120			

**Leach Fluid Blank (BD90132-LBK1)**

Prepared & Analyzed: 04/02/2019

Arsenic	ND	0.375	mg/L								
Barium	ND	0.625	"								
Cadmium	ND	0.075	"								
Chromium	ND	0.125	"								
Lead	ND	0.125	"								
Selenium	ND	0.625	"								
Silver	ND	0.125	"								



**Mercury by EPA 7000/200 Series Methods - Quality Control Data**  
**York Analytical Laboratories, Inc.**

Analyte	Result	Reporting Limit	Units	Spike Level	Source* Result	%REC	%REC Limits	Flag	RPD	RPD Limit	Flag
<b>Batch BD90169 - EPA 7473 water</b>											
<b>Blank (BD90169-BLK1)</b> Prepared & Analyzed: 04/03/2019											
Mercury	ND	0.00020000	mg/L								
<b>Leach Fluid Blank (BD90169-LBK1)</b> Prepared & Analyzed: 04/03/2019											
Mercury	ND	0.00020000	mg/L								
<b>Reference (BD90169-SRM1)</b> Prepared & Analyzed: 04/03/2019											
Mercury	0.0089000		mg/L	0.0100		89.0	70-130				
<b>Batch BD90253 - EPA 7473 soil</b>											
<b>Blank (BD90253-BLK1)</b> Prepared & Analyzed: 04/04/2019											
Mercury	ND	0.0300	mg/kg wet								
<b>Duplicate (BD90253-DUP1)</b> *Source sample: 19C1272-33 (PD1-Composite 2 (8-12)) Prepared & Analyzed: 04/04/2019											
Mercury	ND	0.0347	mg/kg dry		ND						35
<b>Matrix Spike (BD90253-MS1)</b> *Source sample: 19C1272-33 (PD1-Composite 2 (8-12)) Prepared & Analyzed: 04/04/2019											
Mercury	0.437		mg/kg	0.500	0.0223	83.0	75-125				
<b>Reference (BD90253-SRM1)</b> Prepared & Analyzed: 04/04/2019											
Mercury	3.1255		mg/kg	3.71		84.2	65-135				



**Miscellaneous Physical Parameters - Quality Control Data**  
**York Analytical Laboratories, Inc.**

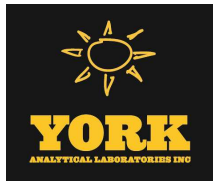
Analyte	Result	Reporting Limit	Units	Spike Level	Source* Result	%REC	%REC Limits	Flag	RPD	RPD Limit	Flag
---------	--------	-----------------	-------	-------------	----------------	------	-------------	------	-----	-----------	------

**Batch BD90352 - % Solids Prep**

<b>Duplicate (BD90352-DUP1)</b>	*Source sample: 19C1272-18 (PD1-SB-104 (0-4') Grab)						Prepared: 04/04/2019 Analyzed: 04/05/2019				
% Solids	86.5	0.100	%		87.9				1.65	20	

**Batch BD90353 - % Solids Prep**

<b>Duplicate (BD90353-DUP1)</b>	*Source sample: 19C1272-28 (PD1-SB-108 (9.5-12') Grab)						Prepared: 04/04/2019 Analyzed: 04/05/2019				
% Solids	92.7	0.100	%		90.9				1.95	20	



**Wet Chemistry Parameters - Quality Control Data**  
**York Analytical Laboratories, Inc.**

Analyte	Result	Reporting Limit	Units	Spike Level	Source* Result	%REC	%REC Limits	Flag	RPD	RPD Limit	Flag
<b>Batch BD90059 - EPA SW 846-1311 TCLP extr. for SVOA/PEST/HERBS</b>											
<b>Blank (BD90059-BLK1)</b>						Prepared: 04/01/2019 Analyzed: 04/02/2019					
TCLP Extraction	Completed	1.00	N/A								
<b>Batch BD90070 - EPA SW 846-1311 TCLP ext. for metals</b>											
<b>Blank (BD90070-BLK1)</b>						Prepared: 04/01/2019 Analyzed: 04/02/2019					
TCLP Extraction	Completed	1.00	N/A								
<b>Batch BD90273 - Analysis Preparation</b>											
<b>Blank (BD90273-BLK1)</b>						Prepared & Analyzed: 04/04/2019					
Reactivity - Cyanide	ND	0.250	mg/kg								
<b>Batch BD90274 - Analysis Preparation</b>											
<b>Blank (BD90274-BLK1)</b>						Prepared & Analyzed: 04/04/2019					
Reactivity - Sulfide	ND	15.0	mg/kg								





### Volatile Analysis Sample Containers

Lab ID	Client Sample ID	Volatile Sample Container
19C1272-01	PD1-SB-105 (0-4') Grab	40mL Vial with Stir Bar-Cool 4° C
19C1272-02	PD1-SB-106 (0-4') Grab	40mL Vial with Stir Bar-Cool 4° C
19C1272-03	PD1-SB-106 (4-7.5') Grab	40mL Vial with Stir Bar-Cool 4° C
19C1272-04	PD1-SB-106 (9.5-12') Grab	40mL Vial with Stir Bar-Cool 4° C
19C1272-05	PD1-SB-103 (0-4') Grab	40mL Vial with Stir Bar-Cool 4° C
19C1272-06	PD1-SB-103 (4-7.5') Grab	40mL Vial with Stir Bar-Cool 4° C
19C1272-07	PD1-SB-103 (7.5-8.5') Grab	40mL Vial with Stir Bar-Cool 4° C
19C1272-08	PD1-SB-103 (8.5-9.5') Grab	40mL Vial with Stir Bar-Cool 4° C
19C1272-09	PD1-SB-103 (9.5-12') Grab	40mL Vial with Stir Bar-Cool 4° C
19C1272-10	PD1-SB-102 (0-4') Grab	40mL Vial with Stir Bar-Cool 4° C
19C1272-11	PD1-SB-102 (7.5-8.5') Grab	40mL Vial with Stir Bar-Cool 4° C
19C1272-12	DUP-1	40mL Vial with Stir Bar-Cool 4° C
19C1272-13	PD1-SB-102 (4.7-8.5') Grab	40mL Vial with Stir Bar-Cool 4° C
19C1272-14	PD1-SB-102 (8.5-9.5') Grab	40mL Vial with Stir Bar-Cool 4° C
19C1272-15	PD1-SB-102 (9.5-12') Grab	40mL Vial with Stir Bar-Cool 4° C
19C1272-16	PD1-SB-101 (0-4') Grab	40mL Vial with Stir Bar-Cool 4° C
19C1272-17	PD1-SB-107 (0-4') Grab	40mL Vial with Stir Bar-Cool 4° C
19C1272-18	PD1-SB-104 (0-4') Grab	40mL Vial with Stir Bar-Cool 4° C
19C1272-19	PD1-SB-104 (4-7.5') Grab	40mL Vial with Stir Bar-Cool 4° C
19C1272-20	PD1-SB-104 (7.5-8.5') Grab	40mL Vial with Stir Bar-Cool 4° C
19C1272-21	PD1-SB-104 (8.5-9.5') Grab	40mL Pre-Tared Vial + 10mL MeOH; Cool to 4° C
19C1272-22	PD1-SB-104 (9.5-12') Grab	40mL Pre-Tared Vial + 10mL MeOH; Cool to 4° C
19C1272-23	FB-1	40mL 01_Clear Vial Cool to 4° C
19C1272-24	PD1-SB-108 (0-4') Grab	40mL Vial with Stir Bar-Cool 4° C
19C1272-25	PD1-SB-108 (4-7.5') Grab	40mL Vial with Stir Bar-Cool 4° C
19C1272-26	PD1-SB-108 (7.5-8.5') Grab	40mL Vial with Stir Bar-Cool 4° C
19C1272-27	PD1-SB-108 (8.5-9.5') Grab	40mL Vial with Stir Bar-Cool 4° C
19C1272-28	PD1-SB-108 (9.5-12') Grab	40mL Vial with Stir Bar-Cool 4° C
19C1272-29	DUP-2 Grab	40mL Vial with Stir Bar-Cool 4° C
19C1272-30	PD1-SB-109 (0-4') Grab	40mL Vial with Stir Bar-Cool 4° C
19C1272-31	FB-2	40mL 01_Clear Vial Cool to 4° C

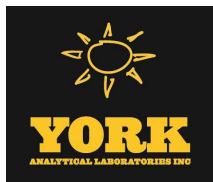


## Sample and Data Qualifiers Relating to This Work Order

M-CRL	The RL check for this element recovered outside of control limits.
CCV-E	The value reported is ESTIMATED. The value is estimated due to its behavior during continuing calibration verification (>20% Difference for average Rf or >20% Drift for quadratic fit).
E	The concentration indicated for this analyte is an estimated value above the calibration range of the instrument. This value is considered an estimate.
EXT-COMP	Completed
EXT-Temp	Extraction temperature slightly exceeded acceptance range.
HT-01	This result was reported from an analysis conducted outside of the EPA recommended holding time.
IGN-01	Non-Ignit.
B	Analyte is found in the associated analysis batch blank. For volatiles, methylene chloride and acetone are common lab contaminants.
J	Detected below the Reporting Limit but greater than or equal to the Method Detection Limit (MDL/LOD) or in the case of a TIC, the result is an estimated concentration.
VOA-WT	The sample weights were not provided by the sampler. The laboratory was directed to use 5.0 g. as the weight in the 5035 VOA vial.
M-ICV2	The recovery for this element in the ICV was outside the 90-110% recovery criteria.
QL-02	This LCS analyte is outside Laboratory Recovery limits due to the analyte behavior using the referenced method. The reference method has certain limitations with respect to analytes of this nature.
QM-07	The spike recovery was outside acceptance limits for the MS and/or MSD. The batch was accepted based on acceptable LCS recovery.
QR-03	The RPD value for the sample duplicate or MS/MSD was outside of QC acceptance limits due to matrix interference. QC batch accepted based on LCS and/or LCSD recovery and/or RPD values.
S-03	The surrogate recovery for this sample is outside of established control limits due to a sample matrix effect. This effect was confirmed by reanalysis.
S-HI	Surrogate recovery is above acceptance limits. No target compound is detected in sample.
VOA-E	The concentration reported for this analyte is an estimated value above the linear range of the instrument for EPA SW846-5035/8260 (>200ppb). Re-analysis using 5035/8260 medium level prep. resulted in a detection below the reporting limit (<500ppb).
IS-LO	The internal std associated with this target compound did not meet acceptance criteria (area <50% CCV) at the stated dilution due to matrix effects. Sample was rerun to confirm matrix effects.

### Definitions and Other Explanations

*	Analyte is not certified or the state of the samples origination does not offer certification for the Analyte.
ND	NOT DETECTED - the analyte is not detected at the Reported to level (LOQ/RL or LOD/MDL)
RL	REPORTING LIMIT - the minimum reportable value based upon the lowest point in the analyte calibration curve.
LOQ	LIMIT OF QUANTITATION - the minimum concentration of a target analyte that can be reported within a specified degree of confidence. This is the lowest point in an analyte calibration curve that has been subjected to all steps of the processing/analysis and verified to meet defined criteria. This is based upon NELAC 2009 Standards and applies to all analyses.
LOD	LIMIT OF DETECTION - a verified estimate of the minimum concentration of a substance in a given matrix that an analytical process can reliably detect. This is based upon NELAC 2009 Standards and applies to all analyses conducted under the auspices of EPA SW-846.
MDL	METHOD DETECTION LIMIT - a statistically derived estimate of the minimum amount of a substance an analytical system can reliably detect with a 99% confidence that the concentration of the substance is greater than zero. This is based upon 40 CFR Part 136 Appendix B and applies only to EPA 600 and 200 series methods.



- Reported to This indicates that the data for a particular analysis is reported to either the LOD/MDL, or the LOQ/RL. In cases where the "Reported to" is located above the LOD/MDL, any value between this and the LOQ represents an estimated value which is "J" flagged accordingly. This applies to volatile and semi-volatile target compounds only.
- NR Not reported
- RPD Relative Percent Difference
- Wet The data has been reported on an as-received (wet weight) basis
- Low Bias Low Bias flag indicates that the recovery of the flagged analyte is below the laboratory or regulatory lower control limit. The data user should take note that this analyte may be biased low but should evaluate multiple lines of evidence including the LCS and site-specific MS/MSD data to draw bias conclusions. In cases where no site-specific MS/MSD was requested, only the LCS data can be used to evaluate such bias.
- High Bias High Bias flag indicates that the recovery of the flagged analyte is above the laboratory or regulatory upper control limit. The data user should take note that this analyte may be biased high but should evaluate multiple lines of evidence including the LCS and site-specific MS/MSD data to draw bias conclusions. In cases where no site-specific MS/MSD was requested, only the LCS data can be used to evaluate such bias.
- Non-Dir. Non-dir. flag (Non-Directional Bias ) indicates that the Relative Percent Difference (RPD) (a measure of precision) among the MS and MSD data is outside the laboratory or regulatory control limit. This alerts the data user where the MS and MSD are from site-specific samples that the RPD is high due to either non-homogeneous distribution of target analyte between the MS/MSD or indicates poor reproducibility for other reasons.

If EPA SW-846 method 8270 is included herein it is noted that the target compound N-nitrosodiphenylamine (NDPA) decomposes in the gas chromatographic inlet and cannot be separated from diphenylamine (DPA). These results could actually represent 100% DPA, 100% NDPA or some combination of the two. For this reason, York reports the combined result for n-nitrosodiphenylamine and diphenylamine for either of these compounds as a combined concentration as Diphenylamine.

If Total PCBs are detected and the target aroclors reported are "Not detected", the Total PCB value is reported due to the presence of either or both Aroclors 1262 and 1268 which are non-target aroclors for some regulatory lists.

2-chloroethylvinyl ether readily breaks down under acidic conditions. Samples that are acid preserved, including standards will exhibit breakdown. The data user should take note.

Certification for pH is no longer offered by NYDOH ELAP.

Semi-Volatile and Volatile analyses are reported down to the LOD/MDL, with values between the LOD/MDL and the LOQ being "J" flagged as estimated results.

For analyses by EPA SW-846-8270D, the Limit of Quantitation (LOQ) reported for benzidine is based upon the lowest standard used for calibration and is not a verified LOQ due to this compound's propensity for oxidative losses during extraction/concentration procedures and non-reproducible chromatographic performance.



York Analytical Laboratories, Inc.  
 120 Research Drive 132-02 89th Ave  
 Stratford, CT 06615 Queens, NY 11418  
 clientservices@yorklab.com  
 www.yorklab.com

# Field Chain-of-Custody Record

YORK Project No.

19C1277

NOTE: YORK's Standard Terms & Conditions are listed on the back side of this document.  
 This document serves as your written authorization for YORK to proceed with the analyses requested below.  
 Your signature binds you to YORK's Standard Terms & Conditions.

Page 1 of 5

YOUR Information		Report To:		Invoice To:		YOUR Project Number		Turn-Around Time	
Company: GEI Consultants	Company: Same	Company: Same	YOUR Project Number: 1602600		YOUR Project Name: Former Safety Clean		RUSH - Next Day		
Address: 110 Walt Whitman Rd Huntington station, NY 11746	Address:	Address:	YOUR Project Name: Former Safety Clean		YOUR Project Name: Former Safety Clean		RUSH - Two Day		
Phone: 631-759-2973	Phone:	Phone:	YOUR Project Name: Former Safety Clean		YOUR Project Name: Former Safety Clean		RUSH - Three Day		
Contact: Nick Recchia	Contact:	Contact:	YOUR Project Name: Former Safety Clean		YOUR Project Name: Former Safety Clean		RUSH - Four Day		
E-mail: nrecchia@geiconsultants.com	E-mail:	E-mail:	YOUR Project Name: Former Safety Clean		YOUR Project Name: Former Safety Clean		Standard (5-7 Day) <input checked="" type="checkbox"/>		

Please print clearly and legibly. All information must be complete. Samples will not be logged in and the turn-around-time clock will not begin until any questions by YORK are resolved.

Samples Collected by: (print your name above and sign below)  Chris Acudo	Matrix Codes	Samples From	Report / EDD Type (circle selections)			YORK Reg. Comp.
	S - soil / solid GW - groundwater DW - drinking water WW - wastewater O - Oil ; Other	New York <input checked="" type="checkbox"/> New Jersey Connecticut Pennsylvania Other	Summary Report <input checked="" type="checkbox"/> QA Report NY ASP A Package NY ASP B Package <input checked="" type="checkbox"/>	CT RCP CT RCP DQA/DUE NJDEP Reduced Deliverables NJDKQP	Standard Excel EDD <input checked="" type="checkbox"/> EQUIS (Standard) NYSDEC EQUIS NJDEP SRP HazSite Other:	Compared to the following Regulation(s): (please fill in)

Sample Identification	Sample Matrix	Date/Time Sampled	Analysis Requested	Container Description
PDI-SB-105 (0-4') Grab	S	3/28/19 10:02	8260 VOCS	40mL vial
PDI-SB-106 (0-4') Grab	S	3/28/19 1020	↓	↓
PDI-SB-106 (4-7.5') Grab	S	3/28/19 1030		
PDI-SB-106 (9.5-12') Grab	S	3/28/19 1040		
PDI-SB-103 (0-4') Grab	S	3/28/19 1102		
PDI-SB-103 (4-7.5') Grab	S	3/28/19 1115		
PDI-SB-103 (7.5-8.5') Grab	S	3/28/19 1120		
PDI-SB-103 (8.5-9.5') Grab	S	3/28/19 1124		
PDI-SB-103 (9.5-12') Grab	S	3/28/19 1130		
PDI-SB-102 (0-4') Grab	S	3/28/19 1226		

Comments: send results to moneil@geiconsultants.com cakudo@geiconsultants.com	Preservation: (check all that apply)	Special Instruction
	HCl ___ MeOH ___ HNO3 ___ H2SO4 ___ NaOH ___ ZnAc ___ Ascorbic Acid ___ Other: _____	Field Filtered ___ Lab to Filter ___

Samples Relinquished by / Company	Date/Time	Samples Received by / Company	Date/Time	Samples Relinquished by / Company	Date/Time
GEI Consultants	3/29/19 1230	Chic	3-29-19 12:30	Chic	3-29-19 1415
Samples Relinquished by / Company	Date/Time	Samples Received by / Company	Date/Time	Samples Relinquished by / Company	Date/Time
Samples Relinquished by / Company	Date/Time	Samples Received by / Company	Date/Time	Samples Received in LAB by	Temp. Received at Lab
				TC Habibi 3/29/19 1415	1.0 Degrees C

Page 192 of 196



YORK Analytical Laboratories, Inc.  
 120 Research Drive 132-02 89th Ave  
 Stratford, CT 06615 Queens, NY 11418  
 clientservices@yorklab.com  
 www.yorklab.com

# Field Chain-of-Custody Record

YORK Project No.

19C1277

NOTE: YORK's Standard Terms & Conditions are listed on the back side of this document.  
 This document serves as your written authorization for YORK to proceed with the analyses requested below.  
 Your signature binds you to YORK's Standard Terms & Conditions.

Page 2 of 5

YOUR Information		Report To:		Invoice To:		YOUR Project Number		Turn-Around Time	
Company: GEL Consultants	Company: Same	Company: Same				1602600		RUSH - Next Day	
Address: 110 Walt Whitman Rd, Ste 200 Huntington Station, NY 11746	Address:	Address:						RUSH - Two Day	
Phone: 631-759-2973	Phone:	Phone:						RUSH - Three Day	
Contact: Nick Recchia	Contact:	Contact:						RUSH - Four Day	
E-mail: nrecchia@geiconsultants.com	E-mail:	E-mail:						Standard (5-7 Day)	<input checked="" type="checkbox"/>
						YOUR Project Name			
						Former Safety Clean			
						YOUR PO#: 1602600			

Please print clearly and legibly. All information must be complete. Samples will not be logged in and the turn-around-time clock will not begin until any questions by YORK are resolved.

Chris Akudo

Samples Collected by: (print your name above and sign below)

*Chris*

Matrix Codes	Samples From	Report / EDD Type (circle selections)			YORK Reg. Comp.
S - soil / solid	New York	<input checked="" type="checkbox"/> Summary Report	CT RCP	<input checked="" type="checkbox"/> Standard Excel EDD	Compared to the following Regulation(s): (please fill in)
GW - groundwater	New Jersey	<input type="checkbox"/> QA Report	CT RCP DQA/DUE	<input type="checkbox"/> EQUIS (Standard)	
DW - drinking water	Connecticut	<input type="checkbox"/> NY ASP A Package	NJDEP Reduced Deliverables	<input type="checkbox"/> NYSDEC EQUIS	
WW - wastewater	Pennsylvania	<input checked="" type="checkbox"/> NY ASP B Package	NJDEP SRP HazSite	<input type="checkbox"/> Other:	
O - Oil ; Other	Other				

Sample Identification	Sample Matrix	Date/Time Sampled	Analysis Requested	Container Description
PDI-SB-102(7.5-8.5) Grab	S	3/28/19 1238	8260 VOCs	40mL Vial
DUP-1		3/28/19 0700		
PDI-SB-102(4.7-8.5) Grab		3/28/19 1243		
PDI-SB-102(8.5-9.5) Grab		3/28/19 1255		
PDI-SB-102(9.5-12) Grab		3/28/19 1300		
PDI-SB-101(0-4) Grab		3/28/19 1357		
PDI-SB-107(0-4) Grab		3/28/19 1410		
PDI-SB-104(0-4) Grab		3/28/19 1430		
PDI-SB-104(0-4) Grab MS		3/28/19 1430		
PDI-SB-104(0-4) Grab MSD		3/28/19 1430		

**Comments:** Send results to moneil@geiconsultants.com  
cakudo@geiconsultants.com

Preservation: (check all that apply)	Special Instruction
HCl ___ MeOH ___ HNO3 ___ H2SO4 ___ NaOH ___ ZnAc ___ Ascorbic Acid ___ Other: _____	Field Filtered ___ Lab to Filter ___

Samples Relinquished by / Company	Date/Time	Samples Received by / Company	Date/Time	Samples Relinquished by / Company	Date/Time
GEL Consultants	3/29/19 1230	Chris	3-29-19 12:30	Chris	3-29-19 1415
Samples Received by / Company	Date/Time	Samples Relinquished by / Company	Date/Time	Samples Received by / Company	Date/Time
Samples Relinquished by / Company	Date/Time	Samples Received by / Company	Date/Time	Samples Received in LAB by	Temp. Received at Lab
				TC Kabil 3/29/19 1415	

Page 193 of 196



York Analytical Laboratories, Inc.  
 120 Research Drive 132-02 89th Ave  
 Stratford, CT 06615 Queens, NY 11418  
 clientservices@yorklab.com  
 www.yorklab.com

# Field Chain-of-Custody Record

YORK Project No.

19C1278

Page 3 of 5

NOTE: YORK's Standard Terms & Conditions are listed on the back side of this document.  
 This document serves as your written authorization for YORK to proceed with the analyses requested below.  
 Your signature binds you to YORK's Standard Terms & Conditions.

<b>YOUR Information</b>		<b>Report To:</b>		<b>Invoice To:</b>		<b>YOUR Project Number</b>		<b>Turn-Around Time</b>	
Company: GEI Consultants	Company: Same	Company: Same	1602600		RUSH - Next Day		RUSH - Two Day		
Address: 110 Walt Whitman Rd, St 204 Huntington Station, NY 11746	Address:	Address:	YOUR Project Name		RUSH - Three Day		RUSH - Four Day		
Phone: 631-259-2973	Phone:	Phone:	Former Safety Kleen		Standard (5-7 Day)		<input checked="" type="checkbox"/>		
Contact: Nick Recchia	Contact:	Contact:	YOUR PO#: 1602600						
E-mail: nrecchia@geiconsultants.com	E-mail:	E-mail:							

Please print clearly and legibly. All information must be complete. Samples will not be logged in and the turn-around-time clock will not begin until any questions by YORK are resolved.

Chris Atkudo Samples Collected by: (print your name above and sign below) Chris	<b>Matrix Codes</b>	<b>Samples From</b>	<b>Report / EDD Type (circle selections)</b>			<b>YORK Reg. Comp.</b>
	S - soil / solid GW - groundwater DW - drinking water WW - wastewater O - Oil ; Other	New York New Jersey Connecticut Pennsylvania Other	<input checked="" type="checkbox"/> Summary Report <input type="checkbox"/> QA Report <input type="checkbox"/> NY ASP A Package <input checked="" type="checkbox"/> NY ASP B Package	CT RCP CT RCP DQA/DUE NJDEP Reduced Deliverables NJDKQP	<input checked="" type="checkbox"/> Standard Excel EDD <input type="checkbox"/> EQUIS (Standard) NYSDEC EQUIS NJDEP SRP HazSite Other:	Compared to the following Regulation(s): (please fill in)

Sample Identification	Sample Matrix	Date/Time Sampled	Analysis Requested	Container Description
PDI-SB-104 (4-7-5) Gms	S	3/28/19 1455	8260 VOCs	40ml vial
PDI-SB-104 (7-5-8-5) Gms	↓	3/28/19 1500	↓	↓
PDI-SB-104 (8-5-9-5) Gms	↓	3/28/19 1505	↓	↓
PDI-SB-104 (9-5-12) Gms	↓	3/28/19 1510	↓	↓
FB-1	W	3/28/19 1510		

<b>Comments:</b> send results to manuel@geiconsultants.com cakudo@geiconsultants.com	<b>Preservation:</b> (check all that apply)	<b>Special Instruction</b>
	HCl ___ MeOH ___ HNO <sub>3</sub> ___ H <sub>2</sub> SO <sub>4</sub> ___ NaOH ___ ZnAc ___ Ascorbic Acid ___ Other: _____	Field Filtered ___ Lab to Filter ___

Samples Relinquished by / Company	Date/Time	Samples Received by / Company	Date/Time	Samples Relinquished by / Company	Date/Time
Chris GEI Consultants	3/29/19 1230	Chris	3-29-19 12:30	Chris	3-29-19 1415
Samples Received by / Company	Date/Time	Samples Relinquished by / Company	Date/Time	Samples Received by / Company	Date/Time
Samples Relinquished by / Company	Date/Time	Samples Received by / Company	Date/Time	Samples Received in LAB by	Temp. Received at Lab
				TC Mahl 3/29/19 1415	

Page 194 of 196



York Analytical Laboratories, Inc.

120 Research Drive 132-02 89th Ave  
Stratford, CT 06615 Queens, NY 11418

clientservices@yorklab.com

www.yorklab.com

**YORK**  
ANALYTICAL LABORATORIES INC

# Field Chain-of-Custody Record

YORK Project No.

19C1272

**NOTE:** YORK's Standard Terms & Conditions are listed on the back side of this document.  
This document serves as your written authorization for YORK to proceed with the analyses requested below.  
Your signature binds you to YORK's Standard Terms & Conditions.

Page 4 of 5

YOUR Information		Report To:		Invoice To:		YOUR Project Number		Turn-Around Time	
Company: GEL Consultants		Company: Same		Company: Same		1602600		RUSH - Next Day	
Address: 110 Walt Whitman Rd St 204		Address:		Address:		YOUR Project Name		RUSH - Two Day	
Huntington Station, NY 11746						Former Safety Kleen		RUSH - Three Day	
Phone: 631-759-2973		Phone:		Phone:				RUSH - Four Day	
Contact: Nick Recchia		Contact:		Contact:				Standard (5-7 Day) <input checked="" type="checkbox"/>	
E-mail: nrecchia@geiconsultants.com		E-mail:		E-mail:		YOUR PO#: 1602600			

Please print clearly and legibly. All information must be complete. Samples will not be logged in and the turn-around-time clock will not begin until any questions by YORK are resolved.

chn3 Akudo

Samples Collected by: (print your name above and sign below)

Akudo

Matrix Codes	Samples From	Report / EDD Type (circle selections)			YORK Reg. Comp.
S - soil / solid	New York	<input checked="" type="checkbox"/> Summary Report	CT RCP	<input checked="" type="checkbox"/> Standard Excel EDD	Compared to the following Regulation(s): (please fill in)
GW - groundwater	New Jersey	<input type="checkbox"/> QA Report	CT RCP DQA/DUE	EquiS (Standard)	
DW - drinking water	Connecticut	<input type="checkbox"/> NY ASP A Package	NJDEP Reduced Deliverables	NYSDEC EquiS	
WW - wastewater	Pennsylvania	<input checked="" type="checkbox"/> NY ASP B Package	NJDEP SRP HazSite	Other:	
O - Oil ; Other	Other	<input type="checkbox"/>	NJDKQP		

Sample Identification	Sample Matrix	Date/Time Sampled	Analysis Requested	Container Description			
PDI-SB-108 (0-4) Grab	S	3/29/19 0915	8260 VOCs	4oz vial			
PDI-SB-108 (4-7.5) Grab	↓	3/29/19 0930	↓	↓			
PDI-SB-108 (7.5-8.5) Grab		3/29/19 0935					
PDI-SB-108 (8.5-9.5) Grab		3/29/19 0955					
PDI-SB-108 (9.5-12) Grab		3/25/19 1000					
PDI-SB-108 (9.5-12) Grab MS		3/29/19 1000					
PDI-SB-108 (9.5-12) Grab MSB		3/29/19 1000					
DUP-2 Grab		3/29/19 0700					
PDI-SB-109 (0-4) Grab		3/29/19 1030					
FB-2		W			3/29/19 1031		

**Comments:** Send results to moneil@geiconsultants.com  
akudo@geiconsultants.com

**Preservation:** (check all that apply)  
 HCl \_\_\_ MeOH \_\_\_ HNO<sub>3</sub> \_\_\_ H<sub>2</sub>SO<sub>4</sub> \_\_\_ NaOH \_\_\_ ZnAc \_\_\_  
 Ascorbic Acid \_\_\_ Other: \_\_\_

**Special Instruction**  
 Field Filtered \_\_\_  
 Lab to Filter \_\_\_

Samples Relinquished by / Company	Date/Time	Samples Received by / Company	Date/Time	Samples Relinquished by / Company	Date/Time
GEL Consultants	3/29/19 1230	Akudo	3-29-19 12:30	Akudo	3-29-19 1415
Received by / Company	Date/Time	Samples Relinquished by / Company	Date/Time	Samples Received by / Company	Date/Time
Relinquished by / Company	Date/Time	Samples Received by / Company	Date/Time	Samples Received in LAB by	Date/Time
				TC Akudo	3/29/19 1415

Page 195 of 196



York Analytical Laboratories, Inc.  
 120 Research Drive 132-02 89th Ave  
 Stratford, CT 06615 Queens, NY 11418  
 clientservices@yorklab.com  
 www.yorklab.com

# Field Chain-of-Custody Record

YORK Project No.

19C1272

Page 5 of 5

NOTE: YORK's Standard Terms & Conditions are listed on the back side of this document.  
 This document serves as your written authorization for YORK to proceed with the analyses requested below.  
 Your signature binds you to YORK's Standard Terms & Conditions.

YOUR Information		Report To:		Invoice To:		YOUR Project Number		Turn-Around Time	
Company: <u>GEI Consultants</u>	Company: <u>Same</u>	Company: <u>Same</u>	Address: <u>110 Walt Whitman Rd #204 Huntington station NY 11746</u>		Address: <u>1602600</u>		YOUR Project Name: <u>Former Safety Kleen</u>		RUSH - Next Day
Address: <u>110 Walt Whitman Rd #204 Huntington station NY 11746</u>	Address: <u>Same</u>	Address: <u>Same</u>	Phone: <u>831-759-2973</u>		Phone: <u>1602600</u>		YOUR Project Name: <u>Former Safety Kleen</u>		RUSH - Two Day
Phone: <u>831-759-2973</u>	Phone: <u>Same</u>	Phone: <u>Same</u>	Contact: <u>NICK RECCHIA</u>		Contact: <u>1602600</u>		YOUR Project Name: <u>Former Safety Kleen</u>		RUSH - Three Day
Contact: <u>NICK RECCHIA</u>	Contact: <u>Same</u>	Contact: <u>Same</u>	E-mail: <u>nrecchia@geiconsultants.com</u>		E-mail: <u>1602600</u>		YOUR Project Name: <u>Former Safety Kleen</u>		RUSH - Four Day
E-mail: <u>nrecchia@geiconsultants.com</u>	E-mail: <u>Same</u>	E-mail: <u>Same</u>	YOUR PO#: <u>1602600</u>		YOUR PO#: <u>1602600</u>		YOUR Project Name: <u>Former Safety Kleen</u>		Standard (5-7 Day) <input checked="" type="checkbox"/>

Please print clearly and legibly. All information must be complete. Samples will not be logged in and the turn-around-time clock will not begin until any questions by YORK are resolved.

Chris Arcudo  
 Samples Collected by: (print your name above and sign below)  
 Chris

Matrix Codes	Samples From	Report / EDD Type (circle selections)	YORK Reg. Comp.
S - soil / solid	New York <input checked="" type="checkbox"/>	Summary Report <input checked="" type="checkbox"/> CT RCP	Compared to the following Regulation(s): (please fill in)
GW - groundwater	New Jersey	QA Report <input type="checkbox"/> CT RCP DQA/DUE	Standard Excel EDD <input checked="" type="checkbox"/> EQUIS (Standard)
DW - drinking water	Connecticut	NY ASP A Package <input type="checkbox"/> NJDEP Reduced Deliverables	NYSDEC EQUIS
WW - wastewater	Pennsylvania	NY ASP B Package <input checked="" type="checkbox"/> NJDEP SRP HazSite	
O - Oil ; Other	Other	NJDQKP	Other:

Sample Identification	Sample Matrix	Date/Time Sampled	Analysis Requested	Container Description
PDI-COMPOSITE 1 (0-8)	S	3/29/19 1030	See list below -	8oz Jar
PDI-COMPOSITE 2 (8-12)	S	3/29/19 1035	SVOCs, TAL metals, PCBs, TCLP pesticides, NJ EPH, TCLP metals, TCLP SVOCs, RCRA xenobiotics	8oz Jar

Comments: Send results to moneil@geiconsultants.com cakudo@geiconsultants.com.

Preservation: (check all that apply)	Special Instruction
HCl <input type="checkbox"/> MeOH <input type="checkbox"/> HNO3 <input type="checkbox"/> H2SO4 <input type="checkbox"/> NaOH <input type="checkbox"/> ZnAc <input type="checkbox"/> Ascorbic Acid <input type="checkbox"/> Other: <input type="checkbox"/>	Field Filtered <input type="checkbox"/> Lab to Filter <input type="checkbox"/>

Samples Relinquished by / Company: <u>Chris GEI Consultants</u>	Date/Time: <u>3/29/19 1230</u>	Samples Received by / Company: <u>Chris</u>	Date/Time: <u>3-29-19 12:30</u>	Samples Relinquished by / Company: <u>Chris</u>	Date/Time: <u>3-29-19 1415</u>
Received by / Company: <u>Chris</u>	Date/Time: <u>3/29/19 1230</u>	Samples Relinquished by / Company: <u>Chris</u>	Date/Time: <u>3-29-19 12:30</u>	Samples Received by / Company: <u>Chris</u>	Date/Time: <u>3-29-19 1415</u>
Relinquished by / Company: <u>Chris</u>	Date/Time: <u>3/29/19 1230</u>	Samples Received by / Company: <u>Chris</u>	Date/Time: <u>3-29-19 12:30</u>	Samples Received in LAB by: <u>TC Kahl</u>	Date/Time: <u>3/29/19 1415</u>

Page 196 of 196



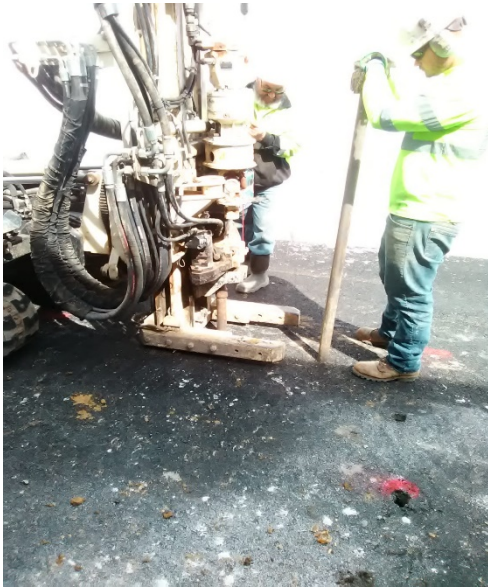
**Attachment 3**  
**Photographic Log**



SITE CONDITION PRIOR TO DRILLING



DRILLING OPERATION



DRILLING OPERATION



SOIL CORE SAMPLE - PDI-SB-102



CORE SAMPLE - PDI-SB-106



CORE SAMPLE - PDI-SB-101



CORE SHOE SAMPLE – PROBE REFUSAL



CORE SAMPLE - PDI-SB-108

## Appendix B

---

### CAMP Requirements

## Appendix 1A

### New York State Department of Health Generic Community Air Monitoring Plan

#### Overview

A Community Air Monitoring Plan (CAMP) requires real-time monitoring for volatile organic compounds (VOCs) and particulates (i.e., dust) at the downwind perimeter of each designated work area when certain activities are in progress at contaminated sites. The CAMP is not intended for use in establishing action levels for worker respiratory protection. Rather, its intent is to provide a measure of protection for the downwind community (i.e., off-site receptors including residences and businesses and on-site workers not directly involved with the subject work activities) from potential airborne contaminant releases as a direct result of investigative and remedial work activities. The action levels specified herein require increased monitoring, corrective actions to abate emissions, and/or work shutdown. Additionally, the CAMP helps to confirm that work activities did not spread contamination off-site through the air.

The generic CAMP presented below will be sufficient to cover many, if not most, sites. Specific requirements should be reviewed for each situation in consultation with NYSDOH to ensure proper applicability. In some cases, a separate site-specific CAMP or supplement may be required. Depending upon the nature of contamination, chemical-specific monitoring with appropriately-sensitive methods may be required. Depending upon the proximity of potentially exposed individuals, more stringent monitoring or response levels than those presented below may be required. Special requirements will be necessary for work within 20 feet of potentially exposed individuals or structures and for indoor work with co-located residences or facilities. These requirements should be determined in consultation with NYSDOH.

Reliance on the CAMP should not preclude simple, common-sense measures to keep VOCs, dust, and odors at a minimum around the work areas.

#### Community Air Monitoring Plan

Depending upon the nature of known or potential contaminants at each site, real-time air monitoring for volatile organic compounds (VOCs) and/or particulate levels at the perimeter of the exclusion zone or work area will be necessary. Most sites will involve VOC and particulate monitoring; sites known to be contaminated with heavy metals alone may only require particulate monitoring. If radiological contamination is a concern, additional monitoring requirements may be necessary per consultation with appropriate DEC/NYSDOH staff.

**Continuous monitoring** will be required for all ground intrusive activities and during the demolition of contaminated or potentially contaminated structures. Ground intrusive activities include, but are not limited to, soil/waste excavation and handling, test pitting or trenching, and the installation of soil borings or monitoring wells.

**Periodic monitoring** for VOCs will be required during non-intrusive activities such as the collection of soil and sediment samples or the collection of groundwater samples from existing monitoring wells. “Periodic” monitoring during sample collection might reasonably consist of

taking a reading upon arrival at a sample location, monitoring while opening a well cap or overturning soil, monitoring during well baling/purging, and taking a reading prior to leaving a sample location. In some instances, depending upon the proximity of potentially exposed individuals, continuous monitoring may be required during sampling activities. Examples of such situations include groundwater sampling at wells on the curb of a busy urban street, in the midst of a public park, or adjacent to a school or residence.

### VOC Monitoring, Response Levels, and Actions

Volatile organic compounds (VOCs) must be monitored at the downwind perimeter of the immediate work area (i.e., the exclusion zone) on a continuous basis or as otherwise specified. Upwind concentrations should be measured at the start of each workday and periodically thereafter to establish background conditions. The monitoring work should be performed using equipment appropriate to measure the types of contaminants known or suspected to be present. The equipment should be calibrated at least daily for the contaminant(s) of concern or for an appropriate surrogate. The equipment should be capable of calculating 15-minute running average concentrations, which will be compared to the levels specified below.

1. If the ambient air concentration of total organic vapors at the downwind perimeter of the work area or exclusion zone exceeds 5 parts per million (ppm) above background for the 15-minute average, work activities must be temporarily halted and monitoring continued. If the total organic vapor level readily decreases (per instantaneous readings) below 5 ppm over background, work activities can resume with continued monitoring.

2. If total organic vapor levels at the downwind perimeter of the work area or exclusion zone persist at levels in excess of 5 ppm over background but less than 25 ppm, work activities must be halted, the source of vapors identified, corrective actions taken to abate emissions, and monitoring continued. After these steps, work activities can resume provided that the total organic vapor level 200 feet downwind of the exclusion zone or half the distance to the nearest potential receptor or residential/commercial structure, whichever is less - but in no case less than 20 feet, is below 5 ppm over background for the 15-minute average.

3. If the organic vapor level is above 25 ppm at the perimeter of the work area, activities must be shutdown.

4. All 15-minute readings must be recorded and be available for State (DEC and DOH) personnel to review. Instantaneous readings, if any, used for decision purposes should also be recorded.

### Particulate Monitoring, Response Levels, and Actions

Particulate concentrations should be monitored continuously at the upwind and downwind perimeters of the exclusion zone at temporary particulate monitoring stations. The particulate monitoring should be performed using real-time monitoring equipment capable of measuring particulate matter less than 10 micrometers in size (PM-10) and capable of integrating over a period of 15 minutes (or less) for comparison to the airborne particulate action level. The equipment must be equipped with an audible alarm to indicate exceedance of the action level. In addition, fugitive dust migration should be visually assessed during all work activities.

1. If the downwind PM-10 particulate level is 100 micrograms per cubic meter ( $\text{mcg}/\text{m}^3$ ) greater than background (upwind perimeter) for the 15-minute period or if airborne dust is observed leaving the work area, then dust suppression techniques must be employed. Work may continue with dust suppression techniques provided that downwind PM-10 particulate levels do not exceed  $150 \text{ mcg}/\text{m}^3$  above the upwind level and provided that no visible dust is migrating from the work area.

2. If, after implementation of dust suppression techniques, downwind PM-10 particulate levels are greater than  $150 \text{ mcg}/\text{m}^3$  above the upwind level, work must be stopped and a re-evaluation of activities initiated. Work can resume provided that dust suppression measures and other controls are successful in reducing the downwind PM-10 particulate concentration to within  $150 \text{ mcg}/\text{m}^3$  of the upwind level and in preventing visible dust migration.

3. All readings must be recorded and be available for State (DEC and DOH) personnel to review.

June 20, 2000

## **Appendix C**

---

### **In-Situ Chemical Reduction Products Specification**



## 3-D Microemulsion<sup>®</sup> Factory Emulsified Technical Description

3-D Microemulsion (3DME<sup>®</sup>) is comprised of a patented molecular structure containing oleic acids (i.e., oil component) and lactates/poly lactates, which are molecularly bound to one another (figure 1). The 3DME molecule contains both a soluble (hydrophilic) and in-soluble (lipophilic) region. These two regions of the molecule are designed to be balanced in size and relative strength. The balanced hydrophilic/lipophilic regions of 3DME result in an electron donor with physical properties allowing it to initially adsorb to the aquifer material in the area of application, then slowly redistribute via very small 3DME “bundles” called micelles. These 3DME micelles spontaneously form within sections of the aquifer where concentrations of 3DME reach several hundred parts per million. The micelles’ small size and mobility allow it to move with groundwater flow through the aquifer matrix, passing easily through the pore throats in between soil grains resulting in the further redistribution of 3DME within the aquifer. This allows for advective distribution of the oleic acids which are otherwise insoluble and unable to distribute in this manner, allowing for increased persistence of the lactate/poly lactates component due to their initial attachment to the oleic acids.

Due to its patented molecular structure, 3DME offers far greater transport when compared to blended emulsified vegetable oil (EVO) products, which fail to distribute beyond the limits of pumping. 3DME also provides greater persistence when compared to soluble substrates such as lactates or simple sugars. The 3DME molecular structures capitalize on the best features of the two electron-donor types while at the same time, minimize their limitations. 3DME is delivered to the site as a ready-to-apply emulsion that is simply diluted with water to generate a large volume of a 3DME colloidal suspension.

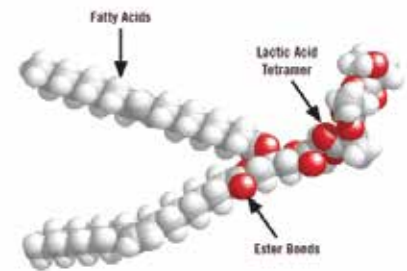
Suspension of 3DME generated by this mixing range from micelles on the order of .02 microns to .05 microns in diameter, to “swollen” micelles, (termed “microemulsions”) which are on the order of .05 to 5 microns in diameter. Once injected into the subsurface in high volumes, the colloidal suspension mixes and dilutes in existing pore waters. The micelles/microemulsions on the injection front will then begin to sorb onto the surfaces of soils as a result of zeta potential attraction and organic matter within the soils themselves. As the sorption continues, the 3DME will “coat” pore surfaces developing a layer of molecules and in some cases a bilayer. This sorption process continues as the micelles/microemulsion moves outward and disassociates into their hydrophilic/hydrophobic components. The specialized chemistry of 3DME results in a staged release of electron donors: free lactate (immediate); polylactate esters (mid-range) and free fatty acids & fatty acid esters (long-term). Material longevity of three years or greater has been seen at most sites as determined from biogeochemical analyses.

For a list of treatable contaminants with the use of 3DME, view the [Range of Treatable Contaminants Guide](#)



Example of 3-D Microemulsion

FIGURE 1: THE 3-D MICROEMULSION MOLECULAR STRUCTURE



### Chemical Composition

- Hydrogen Release Compound Partitioning Electron Donor – CAS #823190-10-9
- Sodium Lactate – CAS# 72-17-3
- Water – CAS# – 7732-18-5

# 3-D Microemulsion<sup>®</sup> Factory Emulsified Technical Description

## Properties

- Density – Approximately 1.0 grams per cubic centimeter (relative to water)
- pH – Neutral (approximately 6.5 to 7.5 standard units)
- Solubility – Soluble in Water
- Appearance – White emulsion
- Odor – Not detectable
- Vapor Pressure – None
- Non-hazardous

## Storage and Handling Guidelines

### Storage

Store in original tightly closed container

Store in a cool, dry, well-ventilated place

Store away from incompatible materials

Recommended storage containers: plastic lined steel, plastic, glass, aluminum, stainless steel, or reinforced fiberglass

### Handling

Avoid contact with eyes, skin, and clothing

Provide adequate ventilation

Wear appropriate personal protective equipment

Observe good industrial hygiene practices

## Applications

- 3DME is diluted with water prior to application. Resulting emulsion has viscosity similar to water.
- Easily injects into formation through direct push injection points, injection wells or other injection delivery systems.

Application instructions for this product are contained here [3DME FE Application Instructions](#).

## Health and Safety

Material is food grade and relatively safe to handle. We recommend avoiding contact with eyes and prolonged contact with skin. OSHA Level D personal protection equipment including vinyl or rubber gloves, and eye protection are recommended when handling this product. Please review the Material Safety Data Sheet for additional storage, usage, and handling requirements here: [SDS-3DME FE](#).



[www.regenesis.com](http://www.regenesis.com)

Corporate Headquarters  
1011 Calle Sombra, San Clemente CA 92673  
949.366.8000

European Headquarters  
The Tramshed, Beehive Yard  
Walcot St, Bath BA1 5BB, United Kingdom

# AquaZVI Specification Sheet

## AquaZVI Technical Description

AquaZVI™ is an *In Situ* Chemical Reduction (ISCR) reagent that promotes the destruction of many organic pollutants and is most commonly used with chlorinated hydrocarbons. It is engineered to provide an optimal source of micron-scale zero valent iron (ZVI) that is both easy to use and delivers enhanced reactivity with the target contaminants of concern via multiple pathways. AquaZVI will stimulate anaerobic biological degradation by rapidly creating a reducing environment favorable for reductive dechlorination. In many cases this improved formulation of ZVI can also destroy contaminants through a direct chemical reaction, see Figure 1.

AquaZVI is composed of colloidal, sulfidated zero-valent iron (ZVI) particles suspended in an aqueous medium with environmentally-acceptable, proprietary dispersants. The passivation technique of sulfidation, completed through proprietary processing methods, provides unparalleled reactivity with chlorinated hydrocarbons like PCE and TCE, and increases its stability and longevity *in situ* by minimizing undesirable side-reactions.

In addition to superior reactivity, AquaZVI is designed for easy handling that is unmatched by any ZVI material on the market. Shipped as an aqueous suspension, AquaZVI requires no powder feeders, no thickening with guar, and pneumatic or hydraulic fracturing is not mandatory. When diluted with water in the field, the resulting suspension is easy to mix and inject using direct push or injections wells.

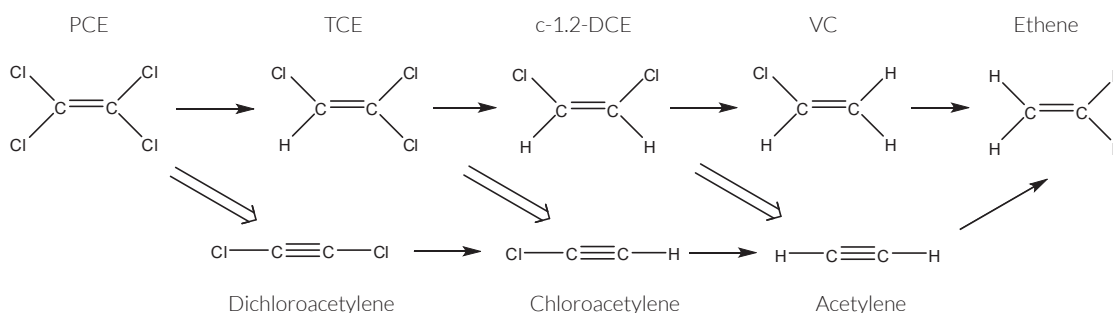


Figure 1. Example of chlorinated ethene degradation pathways and products. The top line with single-line arrows represents the reductive dechlorination (hydrogenolysis) pathway. The downward facing double-arrows represent the abiotic beta-elimination pathway.

To see a list of contaminants treatable by AquaZVI, view the Range of Treatable Contaminants Guide.

## AquaZVI Specification Sheet

### Chemical Composition

Iron, powders CAS 7439-89-6  
Iron(II) sulfide CAS 1317-37-9

### Properties

**Physical State:** Liquid  
**Form:** Viscous metallic suspension  
**Color:** Dark gray  
**Odor:** Slight  
**pH:** Typically 7-9 as applied  
**Density:** 14 lbs/gal

### Storage and Handling Guidelines

#### Storage:

- Use within two weeks of delivery
- Store at temperatures above freezing and below 95°F
- Store in original containers
- Store away from incompatible materials

#### Handling:

- Never mix with oxidants or acids.
- Wear appropriate personal protective equipment
- Do not taste or swallow.
- Observe good industrial hygiene practices.

## Applications

AquaZVI is diluted with water on site and easily applied into the subsurface through low-pressure injections. AquaZVI can also be mixed with products like 3-D Microemulsion® or PlumeStop® prior to injection.

## Health and Safety

Material is relatively safe to handle; however, avoid contact with eyes, skin and clothing. OSHA Level D personal protection equipment including: vinyl or rubber gloves and eye protection are recommended when handling this product. Please review the Safety Data Sheet for additional storage, usage, and handling requirements here: AquaZVI SDS.



www.regenesis.com  
1011 Calle Sombra, San Clemente CA 92673  
949.366.8000

## BDI PLUS® Technical Description

Bio-Dechlor INOCULUM Plus (BDI PLUS®) is an enriched natural consortium containing species of *Dehalococcoides* sp. (DHC). BDI PLUS has been shown to simulate the rapid and complete dechlorination of chlorinated solvents such as tetrachloroethene (PCE), trichloroethene (TCE), dichloroethene (DCE) and vinyl chloride (VC) to non-toxic end products, ethene, carbon dioxide and water.

The culture also contains microbes capable of dehalogenating halomethanes (e.g., carbon tetrachloride and chloroform) and haloethanes (e.g., 1,1,1-TCA and 1,1-DCA) as well as mixtures of these contaminants.



Species of *Dehalococcoides* sp. (DHC)

For a list of treatable contaminants with the use of BDI PLUS, view the [Range of Treatable Contaminants Guide](#)

### Chemical Composition

- Non-hazardous, naturally-occurring, non-altered anaerobic microbes and enzymes in a water-based medium.

### Properties

- Appearance – Murky, yellow to grey water
- Odor – Musty
- pH 6.0 to 8.0
- Density – Approximately 1.0 grams per cubic centimeter (0.9 to 1.1 g/cc)
- Solubility – Soluble in Water
- Vapor Pressure – None
- Non-hazardous

### Storage and Handling Guidelines

#### Storage

Store in original tightly closed container

Store away from incompatible materials

Recommended storage containers: plastic lined steel, plastic, glass, aluminum, stainless steel, or reinforced fiberglass

Store in a cool, dry area at 4-5°C (39 - 41°F)

Material may be stored for up to 3 weeks at 2-4°C without aeration

#### Handling

Avoid prolonged exposure

Observe good industrial hygiene practices

Wear appropriate personal protective equipment

# BDI PLUS® Technical Description

## Applications

- BDI PLUS is delivered to the site in liquid form and is designed to be injected directly into the saturated zone requiring treatment.
- Most often diluted with de-oxygenated water prior to injection into either hydraulic push injection points or properly constructed injection wells.
- The typical dilution rate of the injected culture is 10 gallons of deoxygenated water to 1 liter of standard BDI PLUS culture.

Application instructions for this product are contained here [BDI PLUS Application Instructions](#).

## Health and Safety

Material is non-hazardous and relatively safe to handle; however avoid contact with eyes and prolonged contact with skin. OSHA Level D personal protection equipment including: vinyl or rubber gloves and safety goggles or a splash shield are recommended when handling this product. An eyewash station is recommended. Please review the Material Safety Data Sheet for additional storage, usage, and handling requirements here: [BDI PLUS SDS](#).