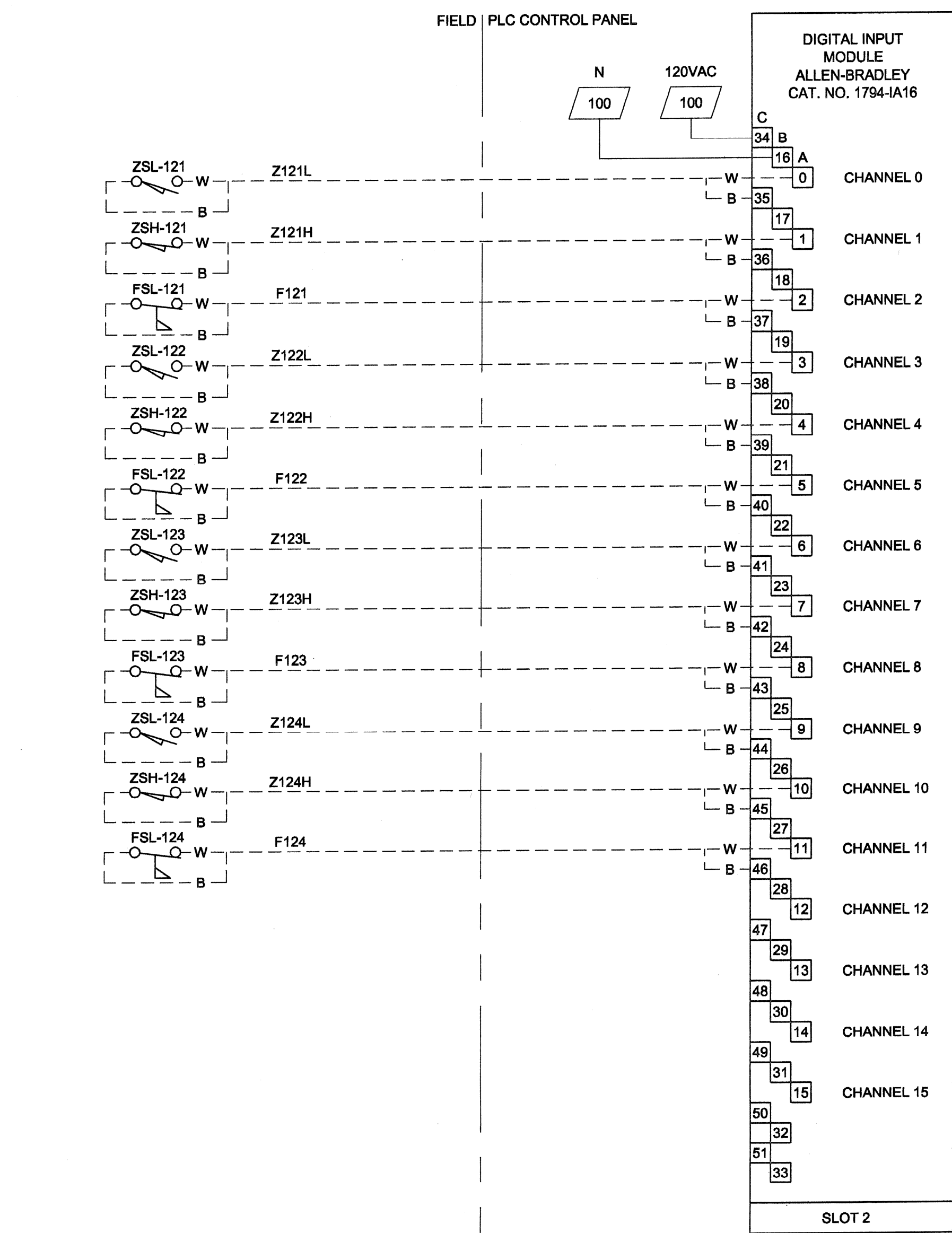
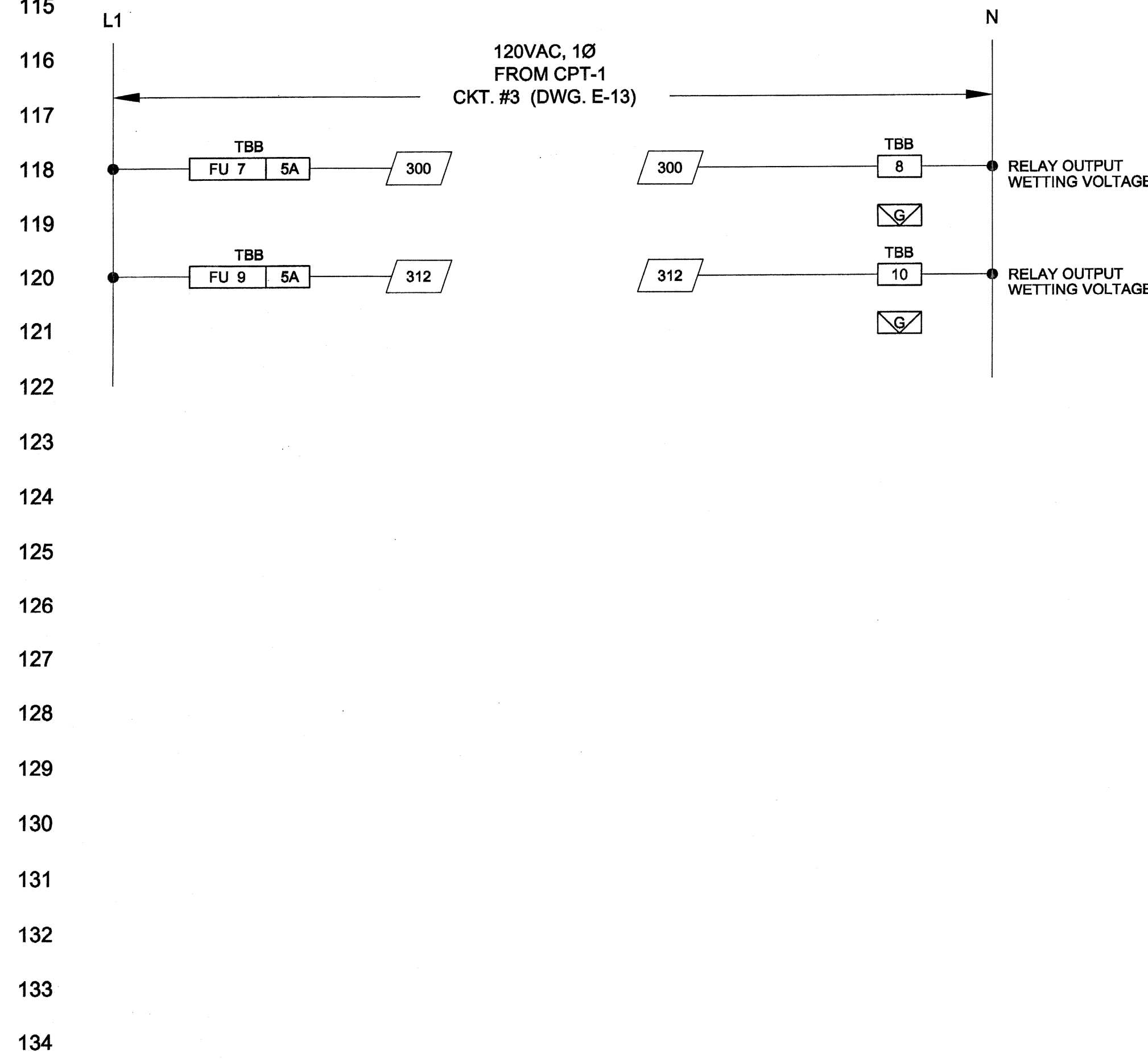
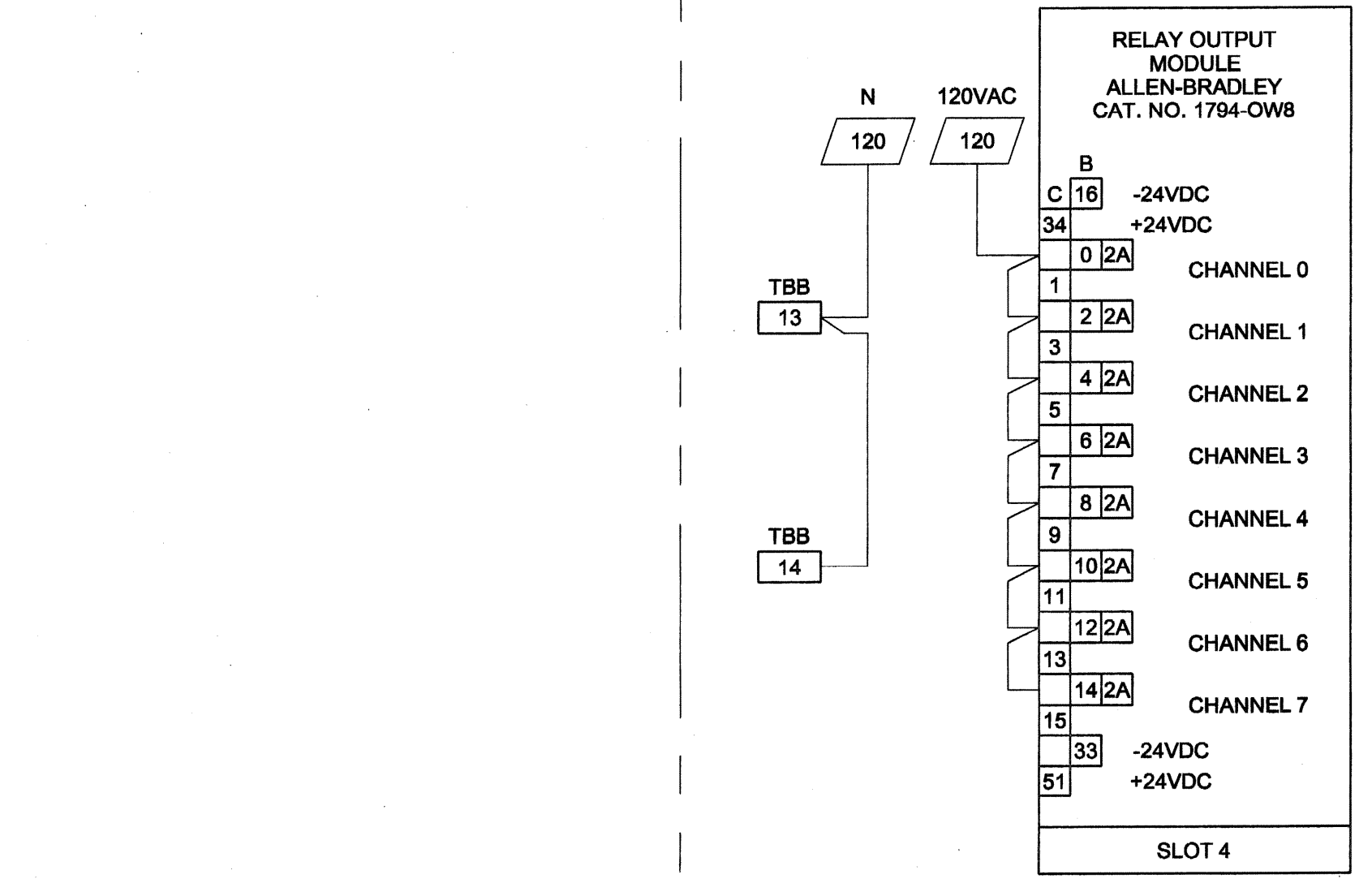
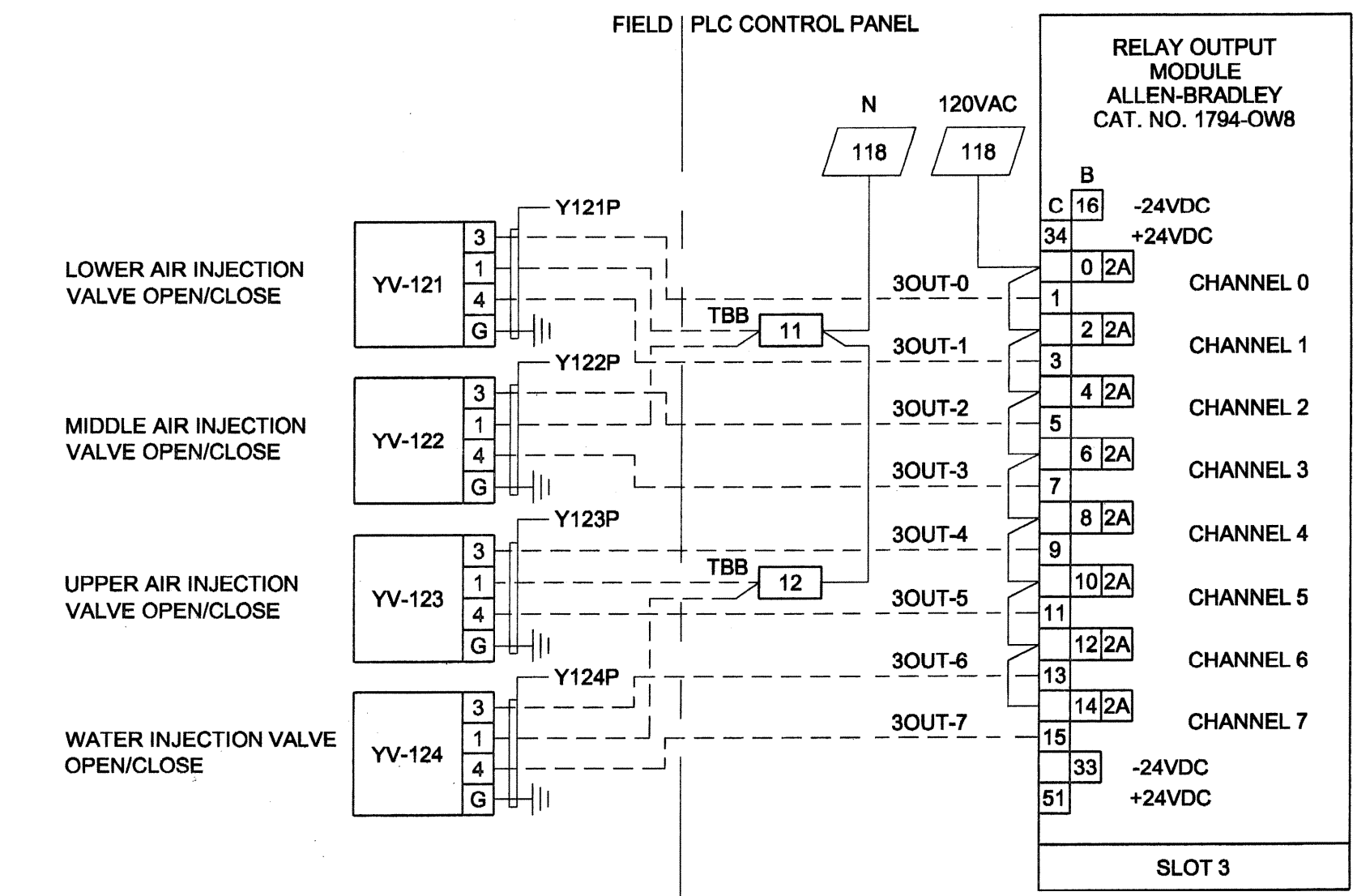


- 200 LOWER AIR INJECTION VALVE CLOSED
- 201 LOWER AIR INJECTION VALVE OPEN
- 202 LOWER AIR INJECTION POINT LOW FLOW
- 203 MIDDLE AIR INJECTION VALVE CLOSED
- 204 MIDDLE AIR INJECTION VALVE OPEN
- 205 MIDDLE AIR INJECTION POINT LOW FLOW
- 206 UPPER AIR INJECTION VALVE CLOSED
- 207 UPPER AIR INJECTION VALVE OPEN
- 208 UPPER AIR INJECTION POINT LOW FLOW
- 209 WATER INJECTION VALVE CLOSED
- 210 WATER INJECTION VALVE OPEN
- 211 WATER INJECTION POINT LOW FLOW



- 300 LOWER AIR INJECTION VALVE OPEN/CLOSE
- 301 MIDDLE AIR INJECTION VALVE OPEN/CLOSE
- 302 UPPER AIR INJECTION VALVE OPEN/CLOSE
- 303 WATER INJECTION VALVE OPEN/CLOSE
- 304
- 305
- 306
- 307
- 308
- 309
- 310
- 311
- 312
- 313
- 314
- 315
- 316
- 317
- 318
- 319
- 320
- 321
- 322
- 323
- 324
- 325
- 326
- 327
- 328
- 329
- 330
- 331
- 332



- 212 WATER INJECTION POINT LOW FLOW
- 213 WATER INJECTION VALVE OPEN
- 214 WATER INJECTION POINT LOW FLOW
- 215
- 216
- 217
- 218 RELAY OUTPUT WETTING VOLTAGE
- 219 RELAY OUTPUT WETTING VOLTAGE
- 220
- 221
- 222
- 223
- 224
- 225
- 226
- 227
- 228
- 229
- 230
- 231
- 232
- 233
- 234

LEGEND
 - - - - - INDICATES FIELD WIRING

NOTES
 1. REFER TO DRAWING E-14 FOR WIRE SIZE AND COLOR CODE.

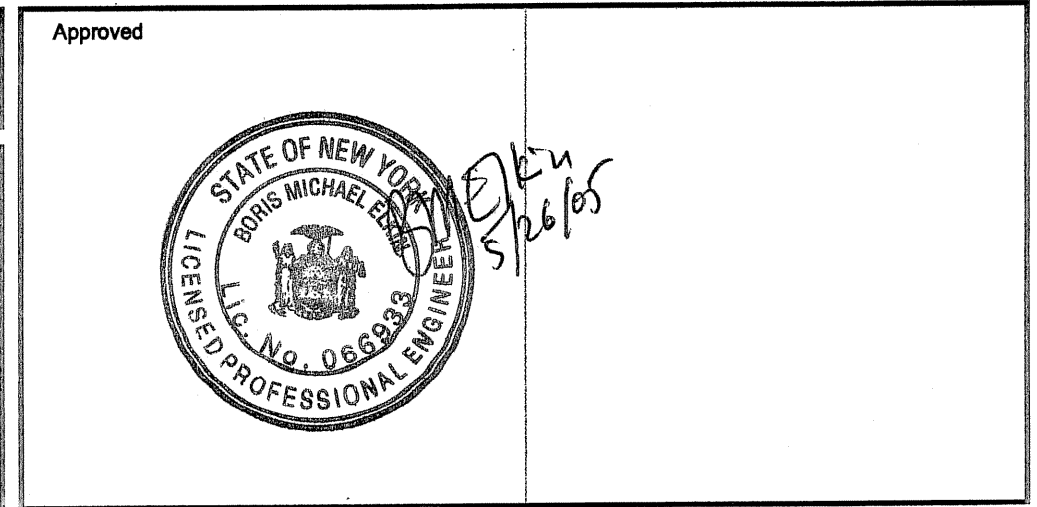
REFERENCE DRAWINGS
 E-12 PLAN
 E-15 PLC CONTROL PANEL ARRANGEMENT

DATE PRINTED
 5/26/05

100% REVIEW DRAWINGS
 NOT FOR CONSTRUCTION

SCALE VERIFICATION: THIS BAR MEASURES 1" ON ORIGINAL. ADJUST SCALE ACCORDINGLY.

No	Revision	Date	Initial



HOOKER/RUCO SITE
 HICKSVILLE, NEW YORK

BIOSPARGE TREATMENT SYSTEM

INJECTION WELL IW-12
 REMOTE I/O PANEL WIRING DIAGRAM

Project Manager:		Date:	
J.KAY		SEPTEMBER 2003	
Reviewed By:	Designed By:	Drawn By:	
BME/TFP	D. SZALACH	J.D.N.	
Scale:	Project No:	Report No:	Drawing No:
NONE	06883-10	045	E-16 SHT.12