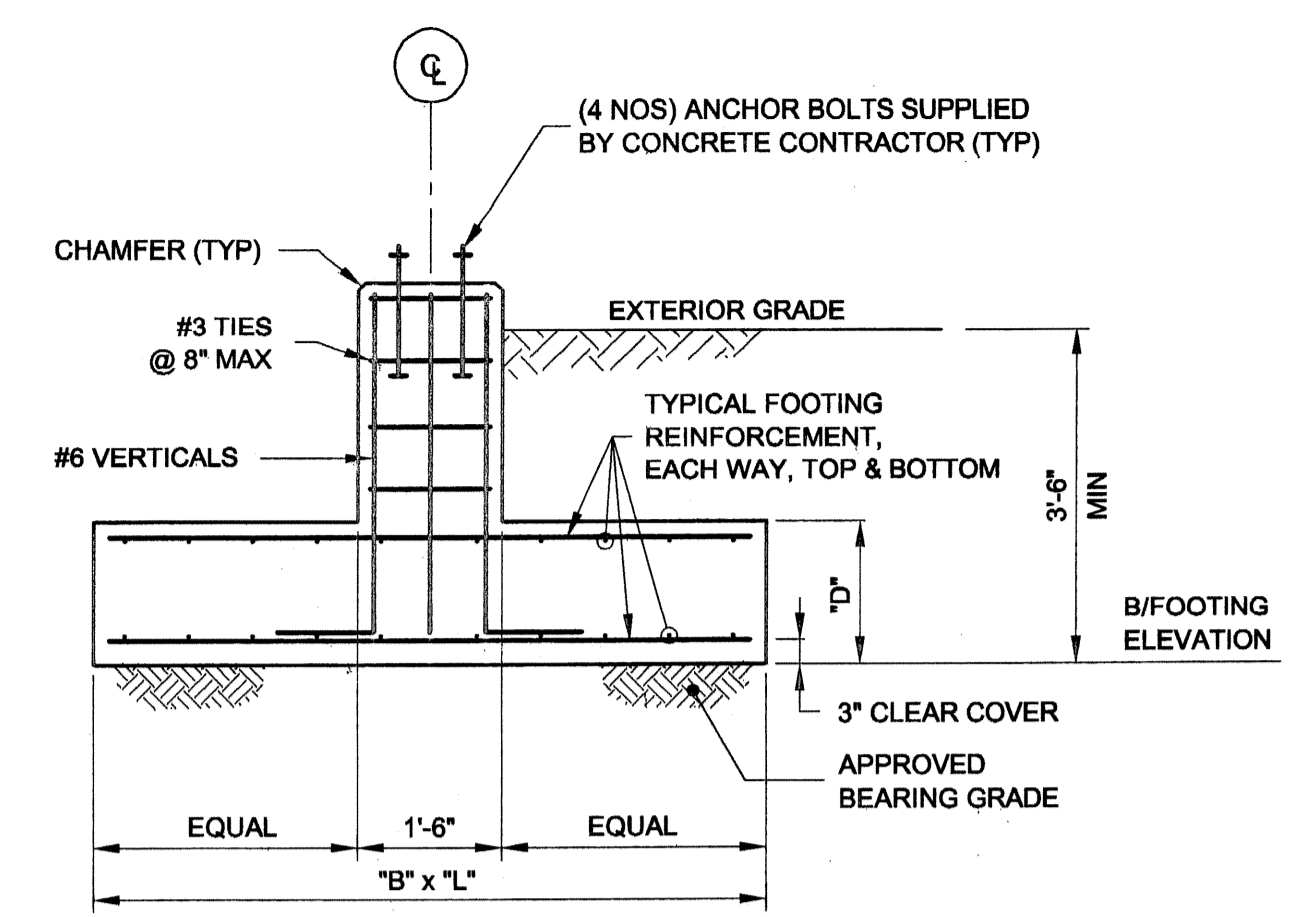


**FOUNDATION PLAN**  
3/8" = 1'-0"

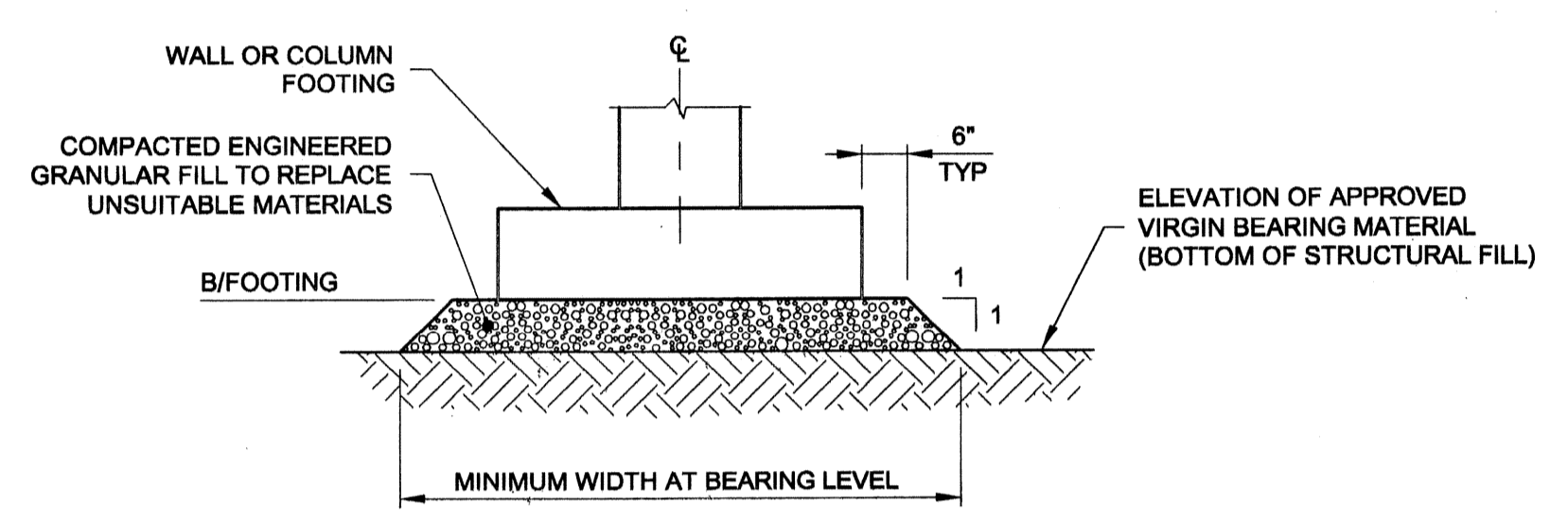
COLUMN FOOTING SCHEDULE								NOTES
FOOTING MARK	DIMENSIONS			REINFORCEMENT				
	"B" (EAST-WEST)	"L" (NORTH-SOUTH)	"D"	BOTTOM (EAST-WEST)	BOTTOM (NORTH-SOUTH)	TOP (EAST-WEST)	TOP (NORTH-SOUTH)	
A	4'-0"	4'-0"	1'-6"	7 #7	7 #7	5 #3	5 #3	-
B	5'-0"	5'-0"	1'-6"	7 #7	7 #7	5 #3	5 #3	-

**NOTES**

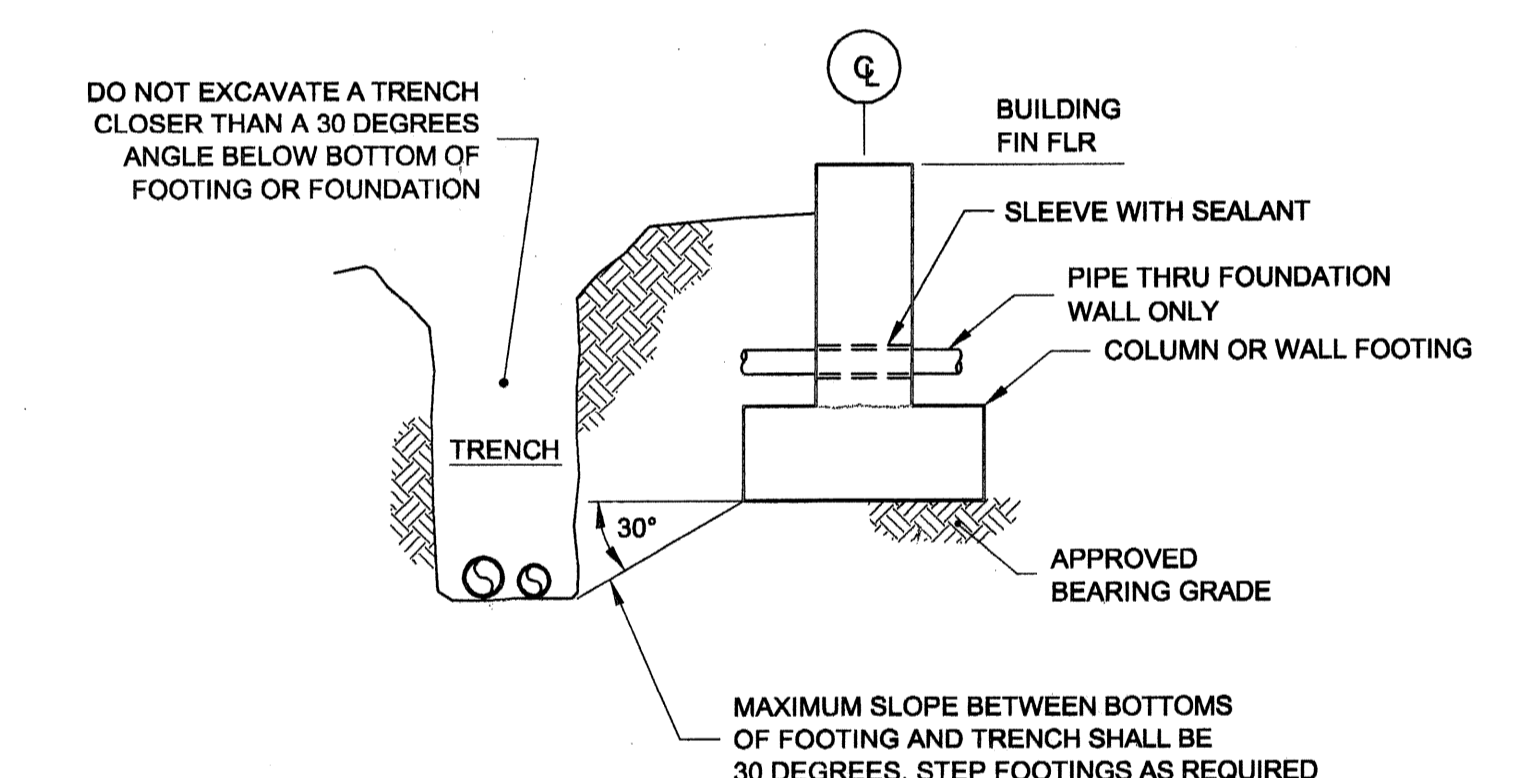
- FOOTING SIZES AND DETAILS SHOWN ON VARIOUS DRAWINGS ARE PRELIMINARY AND NOT FOR CONSTRUCTION.
- FOOTING SIZES, DETAILS AND DESIGN SHALL BE VERIFIED/MODIFIED BASED ON ACTUAL PRE-ENGINEERED BUILDING LOADS PROVIDED BY MANUFACTURER PRIOR TO ORDERING MATERIALS FOR CONSTRUCTION.
- FOR ANCHOR BOLT AND BUILDING COLUMN LAYOUT DETAILS REFER TO DRAWINGS BY PRE-ENGINEERED BUILDING MANUFACTURER.
- BUILDING COLUMN FOUNDATION ANCHORS LAYOUT, NUMBER, TYPE, DIAMETER, LENGTH, EMBEDMENT DEPTH, AND OTHER DETAILS SHALL BE BASED ON BUILDING MANUFACTURER'S REQUIREMENTS AND LOADINGS. THE ANCHORS SHALL BE INSTALLED PER ITS MANUFACTURER'S RECOMMENDATIONS.
- CONTINUE WALL HORIZONTAL AND VERTICAL REINFORCEMENTS INTO COLUMN PIERS AND FOUNDATIONS, RESPECTIVELY.
- PROVIDE TYPICAL PIER REINFORCEMENTS FOR ALL BUILDING COLUMNS.



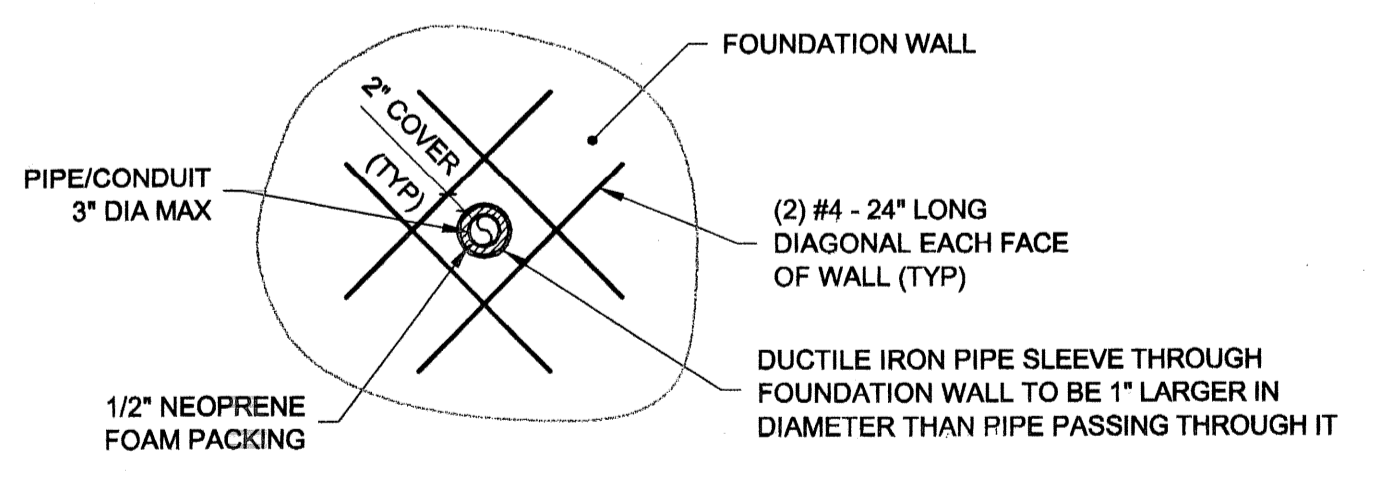
**COLUMN FOOTING DETAIL**  
NTS



**FILL BENEATH FOUNDATION**  
NTS



**TRENCH NEAR FOOTING**  
NTS



**FOUNDATION PIPE SLEEVE**  
NTS

**DATE PRINTED**  
05/25/05

**100% REVIEW DRAWINGS**  
NOT FOR CONSTRUCTION

SCALE VERIFICATION: THIS BAR MEASURES 1" ON ORIGINAL. ADJUST SCALE ACCORDINGLY.

No	Revision	Date	Initial

Approved



WARNING: ALTERING THIS DOCUMENT IS IN VIOLATION OF THE NEW YORK STATE EDUCATION LAW EXCEPTING AS PROVIDED IN SECTION 7209, PART 2 OF THE LAW.

HOOKER/RUCO SITE  
HICKSVILLE, NEW YORK

BIOSPARGE TREATMENT SYSTEM

**CONTROL BUILDING  
FOUNDATION PLAN**

Source Reference:		Date:	
		OCTOBER 2003	
Project Manager:	Reviewed By:	Designed By:	Drawn By:
JK	JGRW	SRM	ZM
Scale:	Project No:	Report No:	Drawing No:
3/8" = 1'-0"	06883-10	045	ST-06