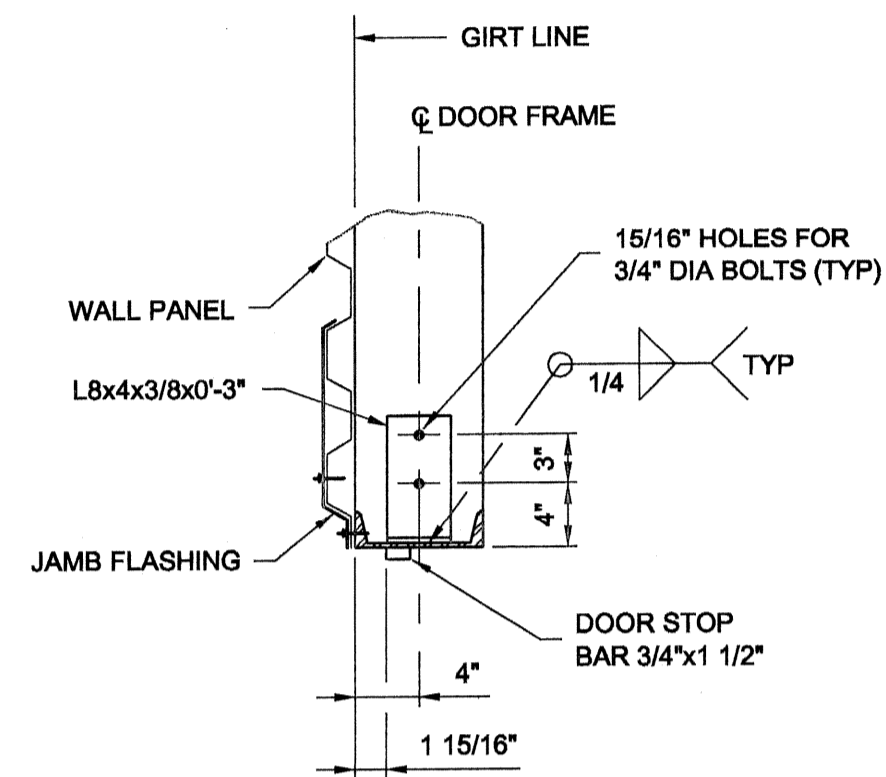
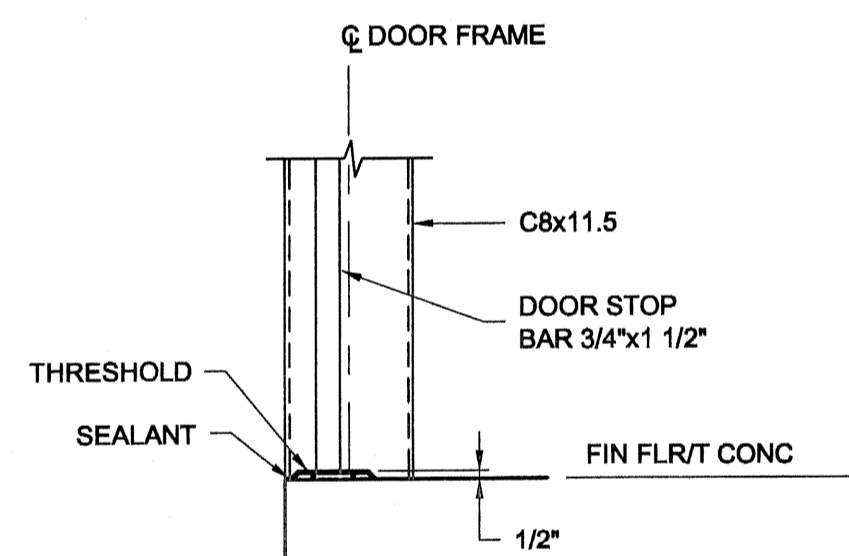


**HEAD H-1**  
1\"/>

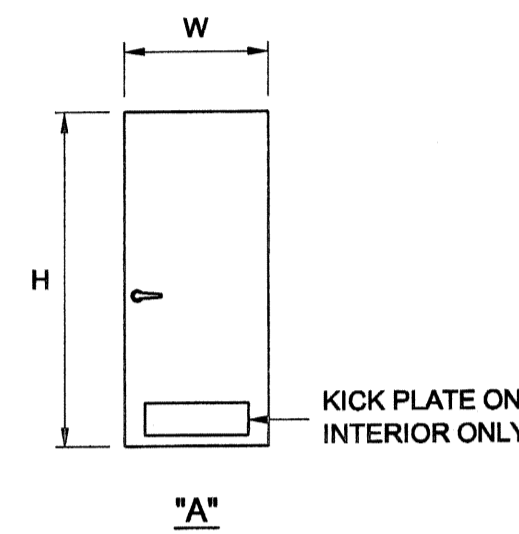


**JAMB J-1**  
1\"/>

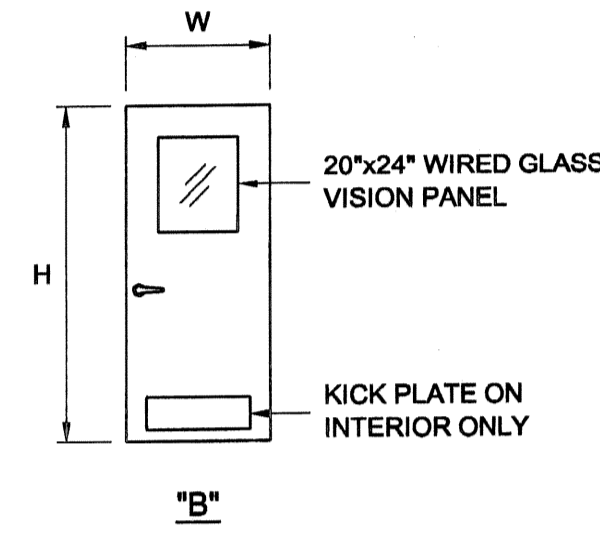


**SILL S-1**  
1\"/>

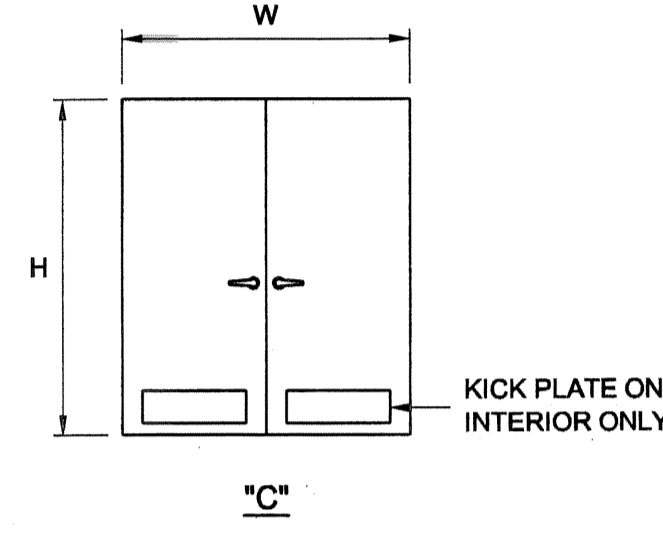
DOOR & HARDWARE SCHEDULE																							
ABBREVIATIONS:										INTERIOR						EXTERIOR							
EN ALUMINUM ENAMEL					SFT 1/4\"/>																		
FRP FIBERGLASS REINFORCED PLASTIC					SS STAINLESS STEEL					LEFT HAND						RIGHT HAND							
GHM GALVANIZED HOLLOW METAL					STL STRUCTURAL STEEL					REVERSE BEVEL						REVERSE BEVEL							
RBR RUBBER										EXTERIOR						EXTERIOR							
DOOR MARK	TYPE	DOOR HAND	FIRE RATING LABELED	EXTERIOR	INTERIOR	THERMAL INSUL.	DOOR OPENING		THICKNESS	MATERIAL	GLAZING	MATERIAL	HEAD DETAIL	JAMB DETAIL	SILL DETAIL	CLOSER	DOOR STOP	HINGES	KICK PLATE	PANIC SET	THRESHOLD	WEATHERSTRIP	REMARKS
							WIDTH \"/>																
D1	C	RHRB LHRB	-	X		R14.97	6'-0"	7'-0"	1 3/4"	GHM	-	STL	H-1	J-1	S-1	X	X	6	X	X	A	X	LHRB DOOR - DEAD BOLT T & B. RHRB DOOR - LATCHES & EXIT DEVICE
D2	B	RHRB	3/4 HR		X	R2.44	3'-0"	7'-0"	1 3/4"	GHM	SFT	STL	-	-	-	X	X	3	X	X	B	X	
D3	A	RHRB	-		X	-	3'-0"	7'-0"	1 3/4"	GHM	-	STL	-	-	-	X	-	3	X	-	-	-	INTERIOR LATCH



**"A"**



**"B"**



**"C"**

**DOOR TYPES**  
1/4\"/>

**DOOR AND HARDWARE NOTE**

ALL DOORS AND HARDWARE SHALL BE AS SPECIFIED OR APPROVED EQUAL.

**DOORS**

- EXTERIOR DOORS SHALL BE "IMPERIAL" BY CECO DOOR PRODUCTS, 16 GAUGE, POLYURETHANE CORE, GALVANIZED AND PAINTED.
- INTERIOR DOORS SHALL BE "REGENT" BY CECO DOOR PRODUCTS, 18 GAUGE, HONEYCOMB CORE, GALVANIZED AND PAINTED.

**HARDWARE (MANUFACTURER'S STANDARD)**

- CLOSER: 1250 SERIES ALUMINUM ENAMEL (EN) - "SARGENT".
- DOOR STOP: TRI BASE FLOOR STOP #259F-US26D - "HAGER".
- HINGES: FULL MORTISE STAINLESS STEEL 32D, 4 1/2"x4 1/2"x0.134 GAUGE, #BB1191 - "HAGER".
- KICK PLATE: STAINLESS STEEL 32D, 16 GAUGE, 8"x26", #220S - "HAGER".
- PANIC SET:
  - EXIT DEVICE: #12-9913-ETF, US 32D FIRE RATED - "SARGENT".
  - PUSH PLATE: STAINLESS STEEL 32D, 3"x12", #30S - "HAGER".
  - PULL PLATE: STAINLESS STEEL 32D, 3"x12", #32G - "HAGER".
  - LOCKS: MORTISE - "SARGENT".
- THRESHOLD:
  - SKID RESISTANT ABRASIVE CAST ALUMINUM HEAVY DUTY, 4" WIDE, #624S - "HAGER".
  - NON-SLIP ABRASIVE ALUMINUM SADDLE, 4" WIDE, #410S - "HAGER".
- WEATHERSTRIP AND DOOR BOTTOM:
  - WEATHERSTRIP JAMB & HEAD #870S-N - "HAGER".
  - DOOR BOTTOM #774S-V - "HAGER".

DATE PRINTED  
05/25/05

100% REVIEW DRAWINGS  
NOT FOR CONSTRUCTION

SCALE VERIFICATION: THIS BAR MEASURES 1" ON ORIGINAL. ADJUST SCALE ACCORDINGLY.

No	Revision	Date	Initial

Approved



WARNING: ALTERING THIS DOCUMENT IS IN VIOLATION OF THE NEW YORK STATE EDUCATION LAW EXCEPTING AS PROVIDED IN SECTION 7209, PART 2 OF THE LAW.

HOOKER/RUCO SITE  
HICKSVILLE, NEW YORK

BIOSPARGE TREATMENT SYSTEM

CONTROL BUILDING  
SCHEDULE & DETAILS



**CRA Infrastructure & Engineering, Inc.**

Source Reference:		Date:	
		OCTOBER 2003	
Project Manager:	Reviewed By:	Designed By:	Drawn By:
JK	JGRW	SKM	ZM
Scale:	Project No:	Report No:	Drawing No:
AS NOTED	06883-10	045	ST-05