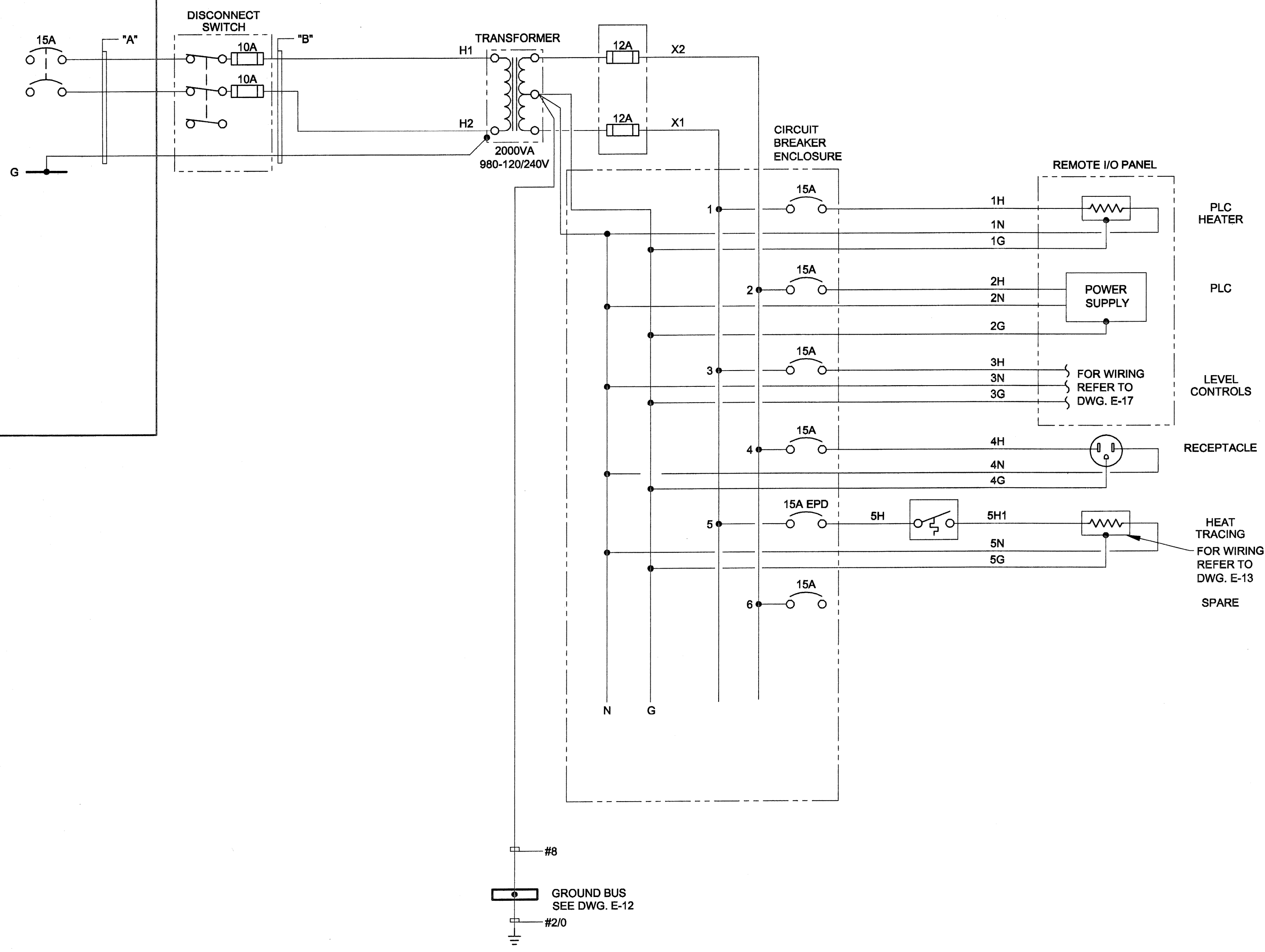


CONTROL BUILDING
POWER DISTRIBUTION PANELBOARD PP-1

FIELD
INJECTION WELL



INJECTION WELL	WIRES "A"		WIRES "B"	
	DESIGNATION	SIZE	DESIGNATION	SIZE
IW-1	PP1-1H, 3H, GND	3 #10	PP1-1H1, 3H1, GND	3 #12
IW-2	PP1-2H, 4H, GND	3 #10	PP1-2H1, 4H1, GND	3 #12
IW-3	PP1-5H, 7H, GND	3 #10	PP1-5H1, 7H1, GND	3 #12
IW-4	PP1-6H, 8H, GND	3 #10	PP1-6H1, 8H1, GND	3 #12
IW-5	PP1-9H, 11H, GND	3 #10	PP1-9H1, 11H1, GND	3 #12
IW-6	PP1-10H, 12H, GND	3 #10	PP1-10H1, 12H1, GND	3 #12
IW-7	PP1-13H, 15H, GND	3 #10	PP1-13H1, 15H1, GND	3 #12
IW-8	PP1-14H, 16H, GND	3 #10	PP1-14H1, 16H1, GND	3 #12
IW-9	PP1-17H, 19H, GND	3 #10	PP1-17H1, 19H1, GND	3 #12
IW-10	PP1-18H, 20H, GND	3 #10	PP1-18H1, 20H1, GND	3 #12
IW-11	PP1-21H, 23H, GND	3 #10	PP1-21H1, 23H1, GND	3 #12
IW-12	PP1-22H, 24H, GND	3 #10	PP1-22H1, 24H1, GND	3 #12
IW-13	PP1-25H, 27H, GND	3 #12	PP1-25H1, 27H1, GND	3 #12
IW-14	PP1-26H, 28H, GND	3 #12	PP1-26H1, 28H1, GND	3 #12
IW-15	PP1-29H, 31H, GND	3 #12	PP1-29H1, 31H1, GND	3 #12
IW-16	PP1-30H, 32H, GND	3 #12	PP1-30H1, 32H1, GND	3 #12
IW-17	PP1-33H, 35H, GND	3 #12	PP1-33H1, 35H1, GND	3 #12
IW-18	PP1-34H, 36H, GND	3 #12	PP1-34H1, 36H1, GND	3 #12
IW-19	PP1-37H, 39H, GND	3 #12	PP1-37H1, 39H1, GND	3 #12
IW-20	PP1-38H, 40H, GND	3 #12	PP1-38H1, 40H1, GND	3 #12
IW-21	PP1-41H, 43H, GND	3 #12	PP1-41H1, 43H1, GND	3 #12
IW-22	PP1-42H, 44H, GND	3 #12	PP1-42H1, 44H1, GND	3 #12

DATE PRINTED
5/26/05

100% REVIEW DRAWINGS
NOT FOR CONSTRUCTION

SCALE VERIFICATION: THIS BAR MEASURES 1" ON ORIGINAL. ADJUST SCALE ACCORDINGLY.

No	Revision	Date	Initial

Approved

HOOKER/RUCO SITE
HICKSVILLE, NEW YORK

BIOSPARGE TREATMENT SYSTEM

INJECTION WELLS
TYPICAL ELECTRICAL WIRING DIAGRAM

CRA Infrastructure & Engineering, Inc.

Source Reference: _____ Date: SEPTEMBER 2003

Project Manager: J. KAY	Reviewed By: BME/TFP	Designed By: D. SZALACH	Drawn By: J.D.N.
Scale: NONE	Project No: 06883-10	Report No: 045	Drawing No: E-14