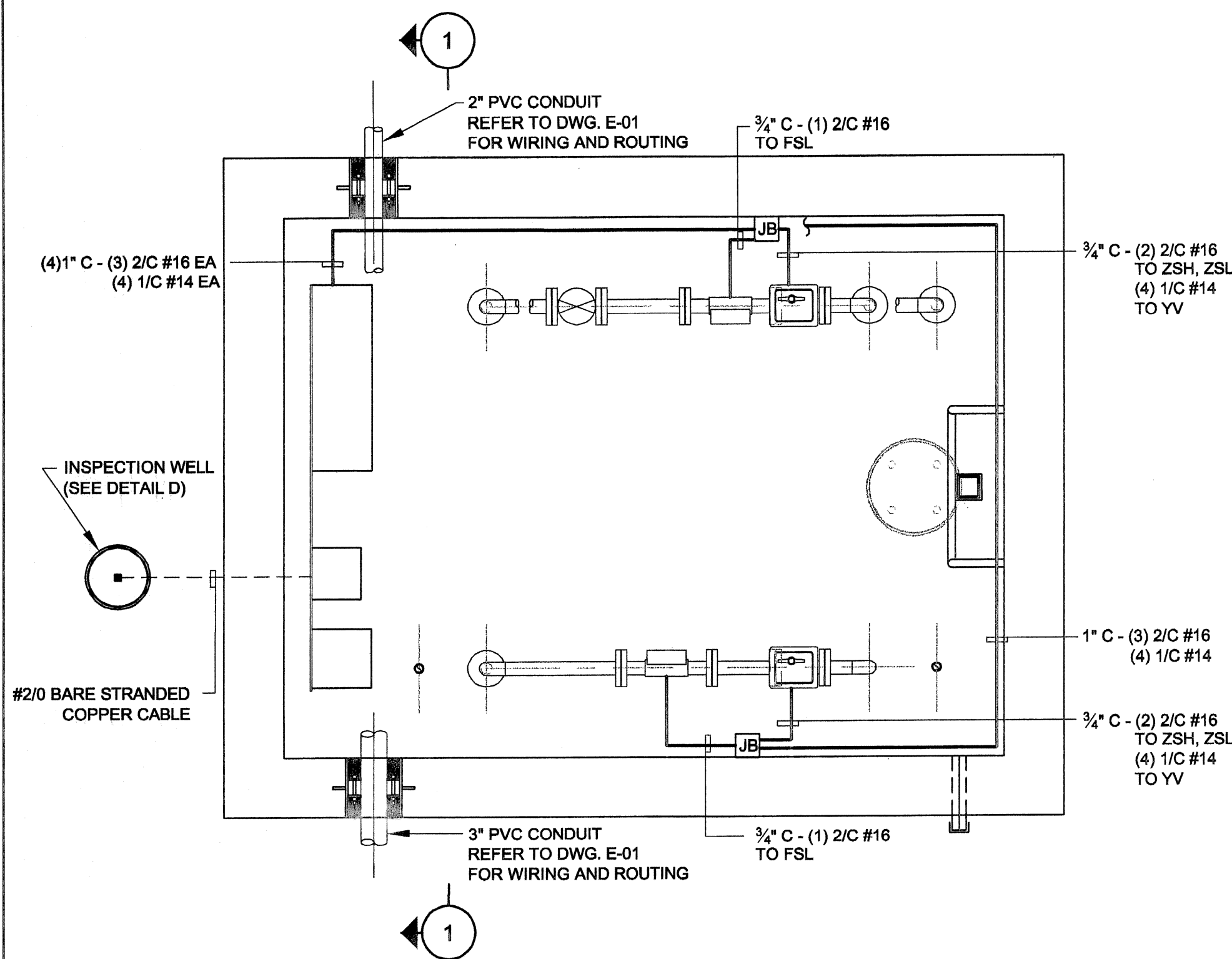
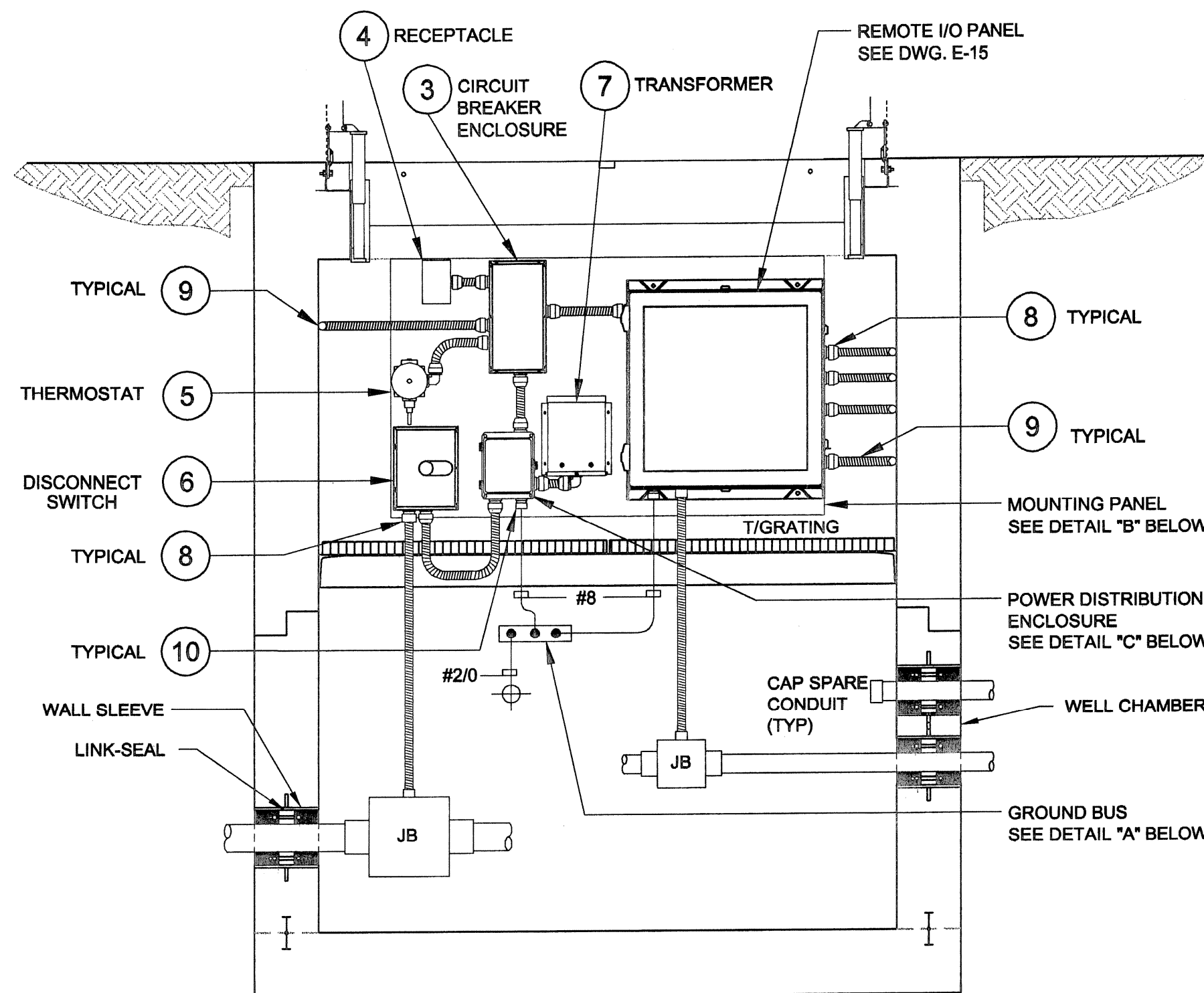


BILL OF MATERIAL

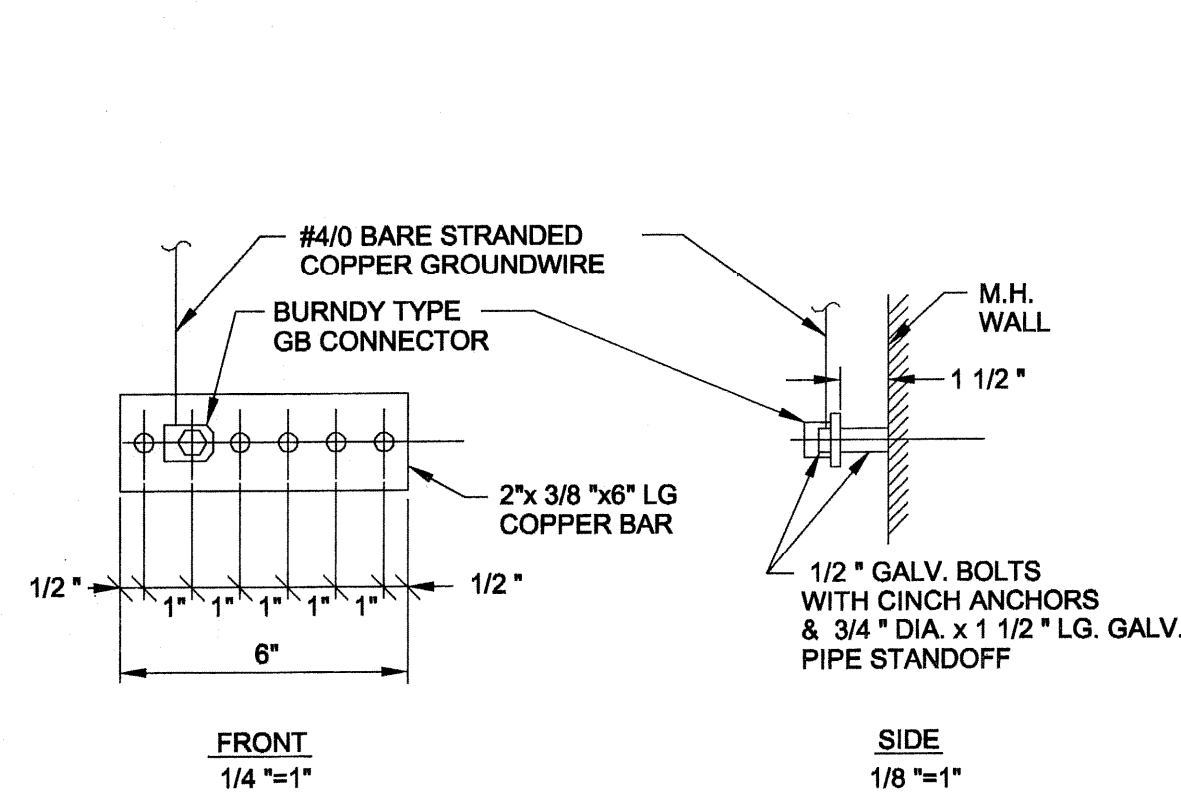
ITEM	NO.	DESCRIPTION
1	1	HOFFMAN NEMA 4X FIBERGLASS ENCLOSURE CAT#A-865JFGQRR W/PANEL A6P8
2	2	FUSEHOLDER - BUSSMAN CLASS J TOUCH SAFE CAT#JT60030 (FUSE SIZE PER WIRING DIAGRAM)
3	1	CIRCUIT BREAKER ENCLOSURE CROUSE-HINDS CAT#NJB071406 MP DR129 W/5-15A AND 1-15A EPD
4	1	RECEPTACLE - HUBBELL CAT. #GF5252MGY MOUNTED IN BOX #6080 W/COVER #CWF26CR
5	1	RAYCHEM THERMOSTAT CAT# AMC-1H
6	1	DISCONNECT SWITCH - CROUSE-HINDS 20A - 3P CAT# NRSS0-FS WITH (2) 3/4" HUBS #NHUB2
7	1	TRANSFORMER - SQUARE"D" - 2 KVA, 480V-120/240V CAT# 2S1FSS
8	AS REQD	LIQUIDTIGHT FITTING T & B PLASTIC BULLET TYPE
9	AS REQD	NONMETALLIC LIQUIDTIGHT CONDUIT T & B XTRAFLEX
10	AS REQD	CABLE FITTING T & B (SIZE PER CABLE)
11	1	FIBERGLASS PANEL 32"H x 54"W x 1/4" THICK



TYPICAL WELL INJECTION PLAN
3/4" = 1'-0"

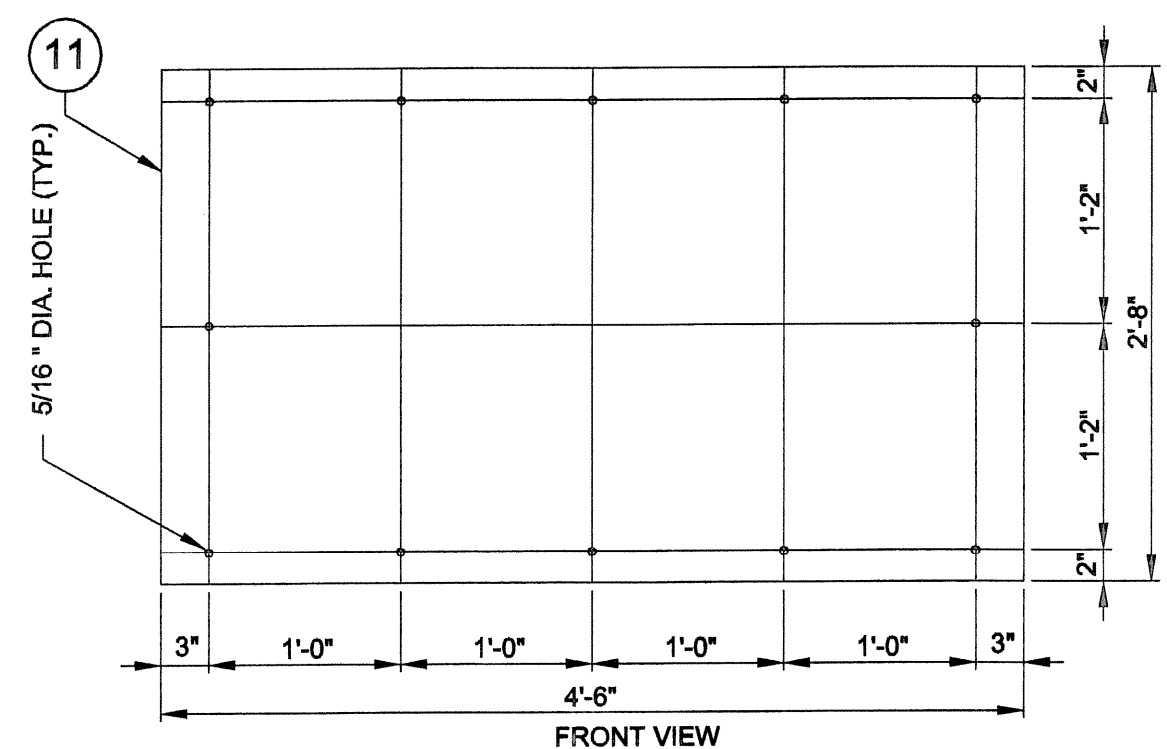


SECTION 1
3/4" = 1'-0"



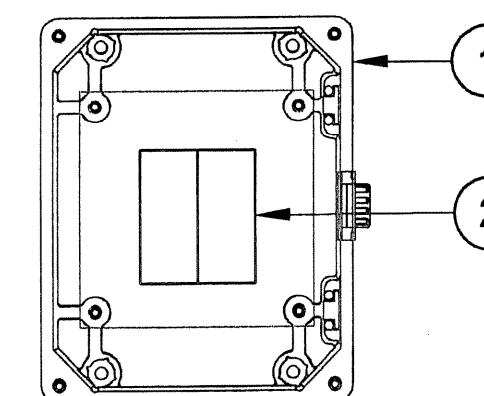
WELL GROUND BUS

DETAIL A
N.T.S.



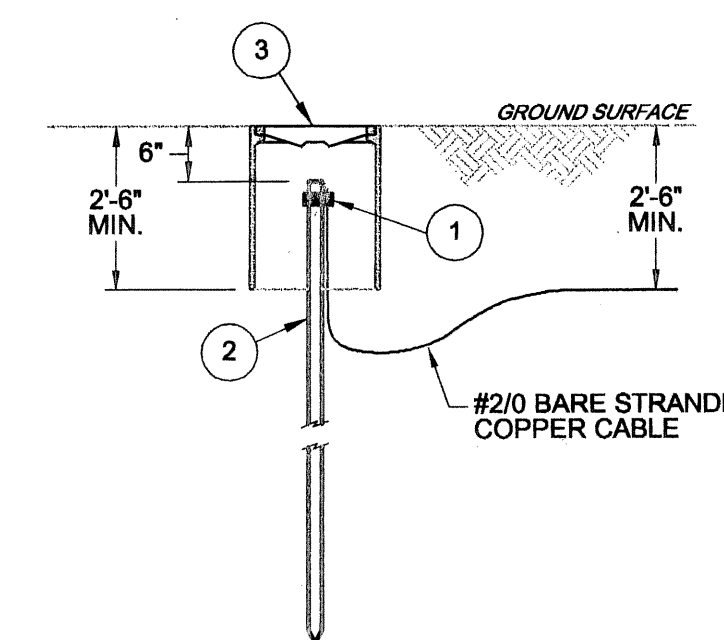
MOUNTING PANEL

DETAIL B
1" = 1'-0"



POWER DISTRIBUTION ENCLOSURE

DETAIL C
3" = 1'-0"



- 1 CONNECTOR: BURNDY CAT. No. GAR-6426 (1 CABLE) OR GP6426 (2 CABLES)
- 2 GROUND ROD: COPPERWELD, 3/4" DIA. x 10' LG.
- 3 INSPECTION WELL: KISTNER PULL-BOX W/CAST IRON FRAME & COVER 15" DIA. x 20" LG., PART No. PB-15S

REFERENCE DRAWINGS

WELL PLANS AND SECTIONS

DETAIL D
GROUNDING ROD INSTALLATION - INSPECTION TYPE
N.T.S.

DATE PRINTED
5/26/05

100% REVIEW DRAWINGS
NOT FOR CONSTRUCTION

SCALE VERIFICATION: THIS BAR MEASURES 1" ON ORIGINAL. ADJUST SCALE ACCORDINGLY.

Approved



5/26/05

HOOKER/RUCO SITE
HICKSVILLE, NEW YORK

BIOSPARGE TREATMENT SYSTEM

INJECTION WELLS
PLAN, SECTION & DETAILS



Source Reference:		Date:	
		SEPTEMBER 2003	
Project Manager:	Reviewed By:	Designed By:	Drawn By:
J. KAY	BME	DLS	DLS
Scale:	Project No:	Report No:	Drawing No:
AS NOTED	06883-10	045	E-12