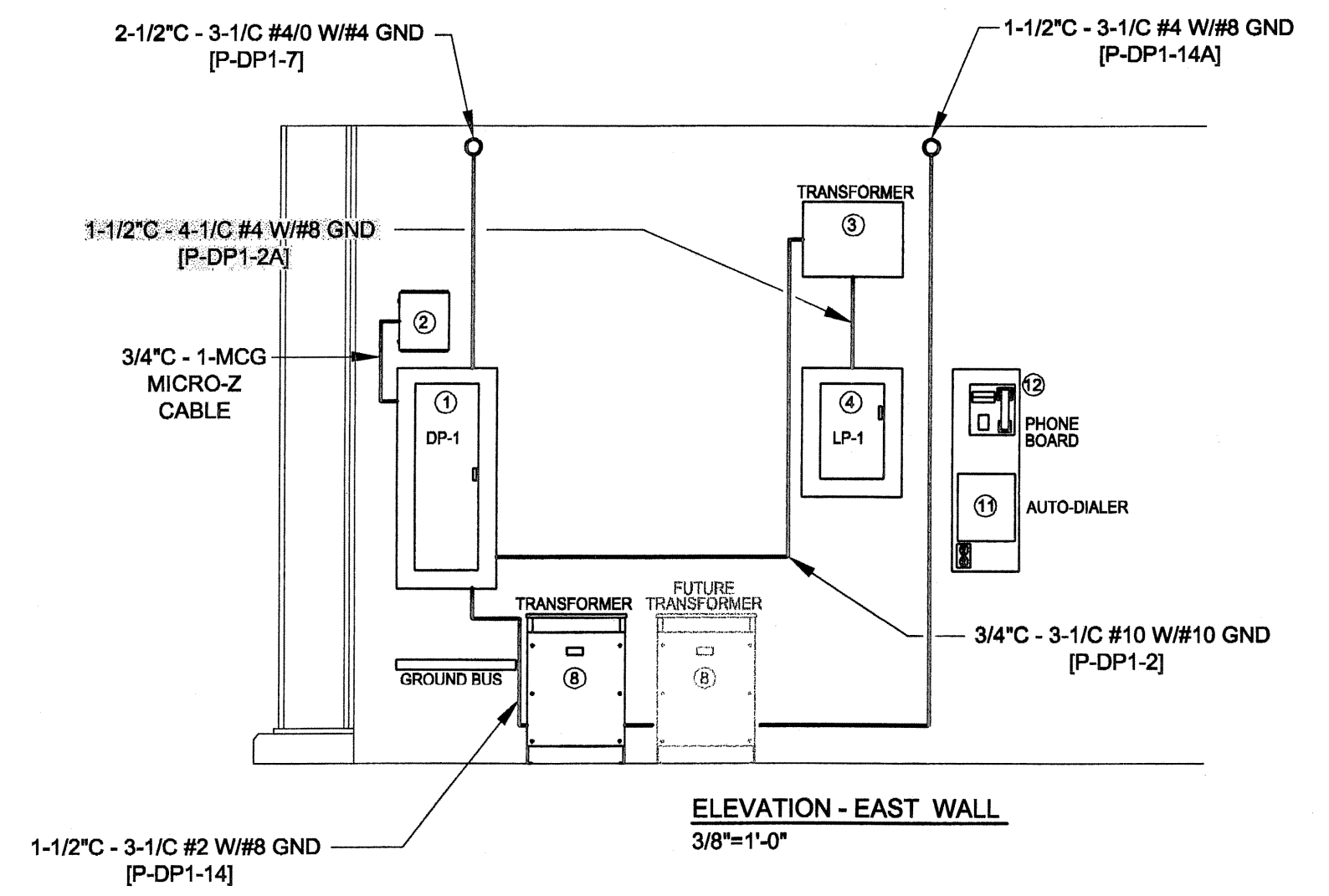
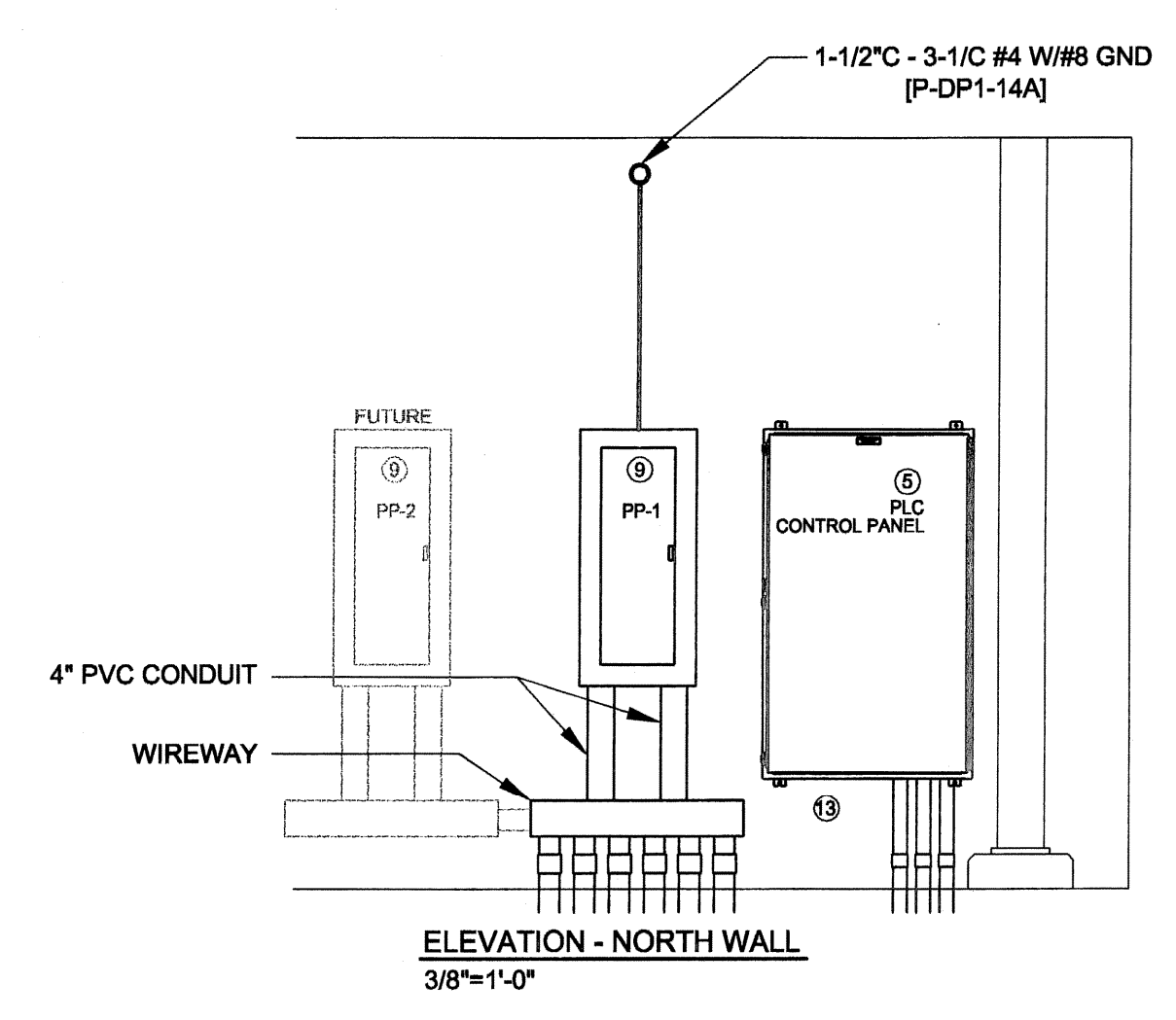
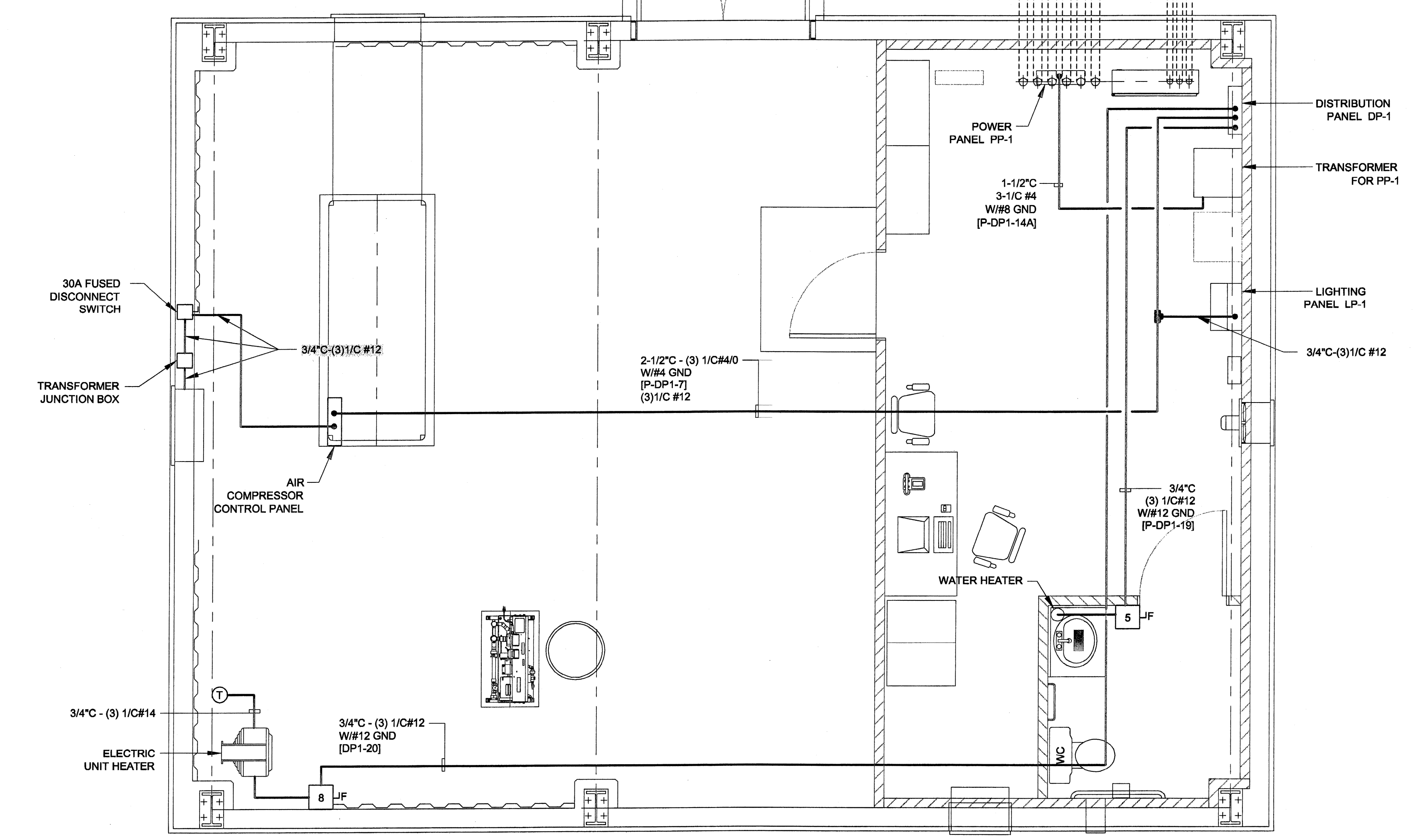
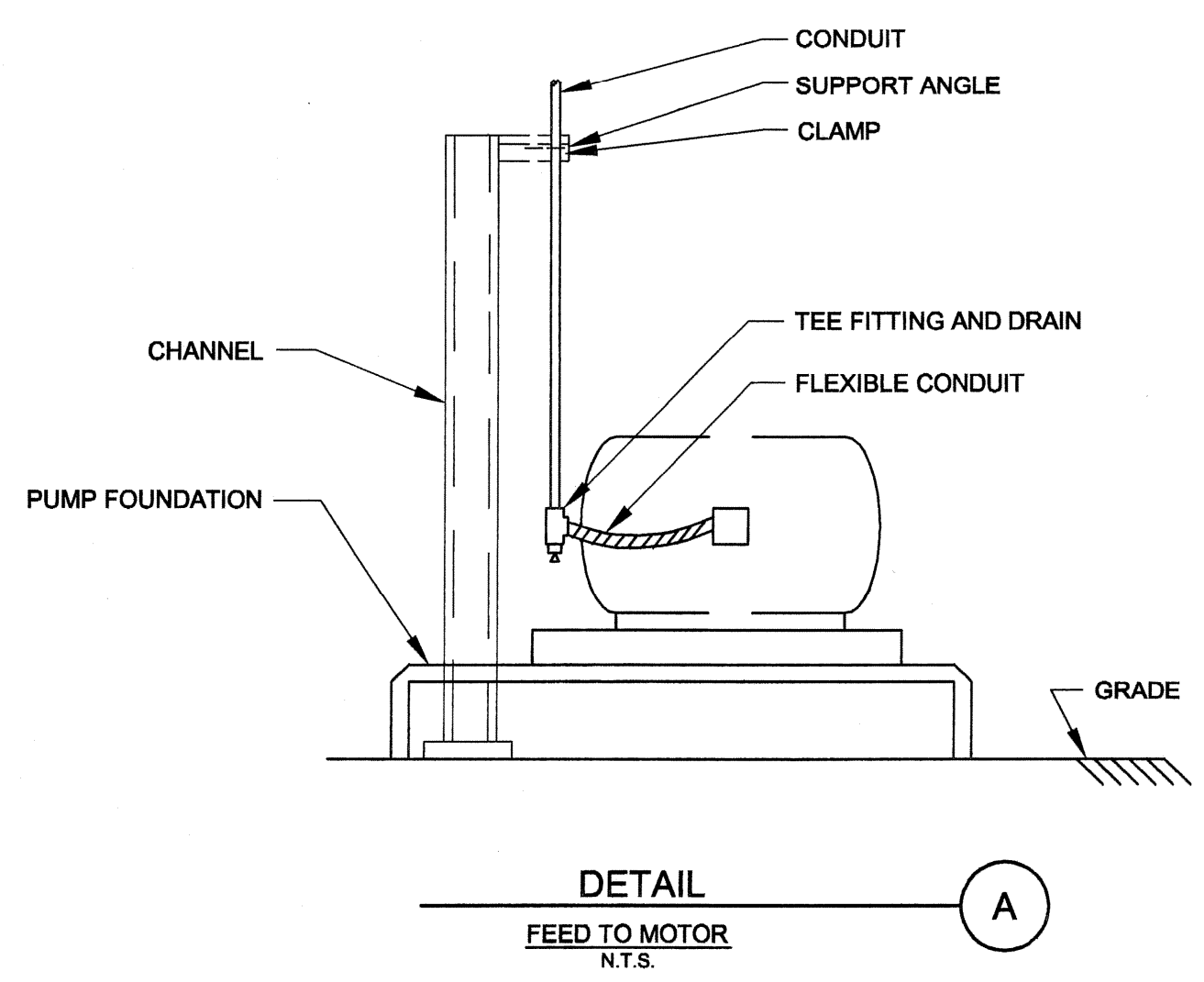


FOR CONTINUATION
TO INJECTION WELLS
REFER TO DWG. E-01



GENERAL NOTES

1. ALL CONDUIT TO BE RIGID (RGS), SIZED AS SHOWN ON PLANS.
2. FLEXIBLE CONDUIT SHALL BE LIQUID TIGHT, 18" MINIMUM LENGTH TO 20 HP, 24" MINIMUM LENGTH OVER 20 HP. USE THOMAS & BETTS SCREW-IN TYPE GROUND CONNECTOR AT EACH END.
3. CONDUIT ENTRANCE TO PUSHBUTTON AND SELECTOR SWITCH ENCLOSURES SHALL BE FROM THE BOTTOM ONLY.
4. ALL CONDUIT AND WIRE SHOWN IS DIAGRAMMATIC, E.C. TO RUN CONDUIT AND WIRE TO ALL DEVICES AS REQUIRED. CONDUIT AND WIRE TO BE SIZED IN ACCORDANCE WITH NEC.

DATE PRINTED
5/26/05

100% REVIEW DRAWINGS
NOT FOR CONSTRUCTION

SCALE VERIFICATION: THIS BAR MEASURES 1" ON ORIGINAL. ADJUST SCALE ACCORDINGLY.

No	Revision	Date	Initial

Approved

ME
5/26/05

HOOKER/RUCO SITE
HICKSVILLE, NEW YORK

BIOSPARGE TREATMENT SYSTEM

CONTROL BUILDING
POWER PLAN

CRA Infrastructure & Engineering, Inc.

Source Reference:		Date: SEPTEMBER 2003	
Project Manager: J. KAY	Reviewed By: BME/TFP	Designed By: DLS	Drawn By: DLS
Scale: 3/8"=1'-0"	Project No: 06883-10	Report No: 045	Drawing No: E-06