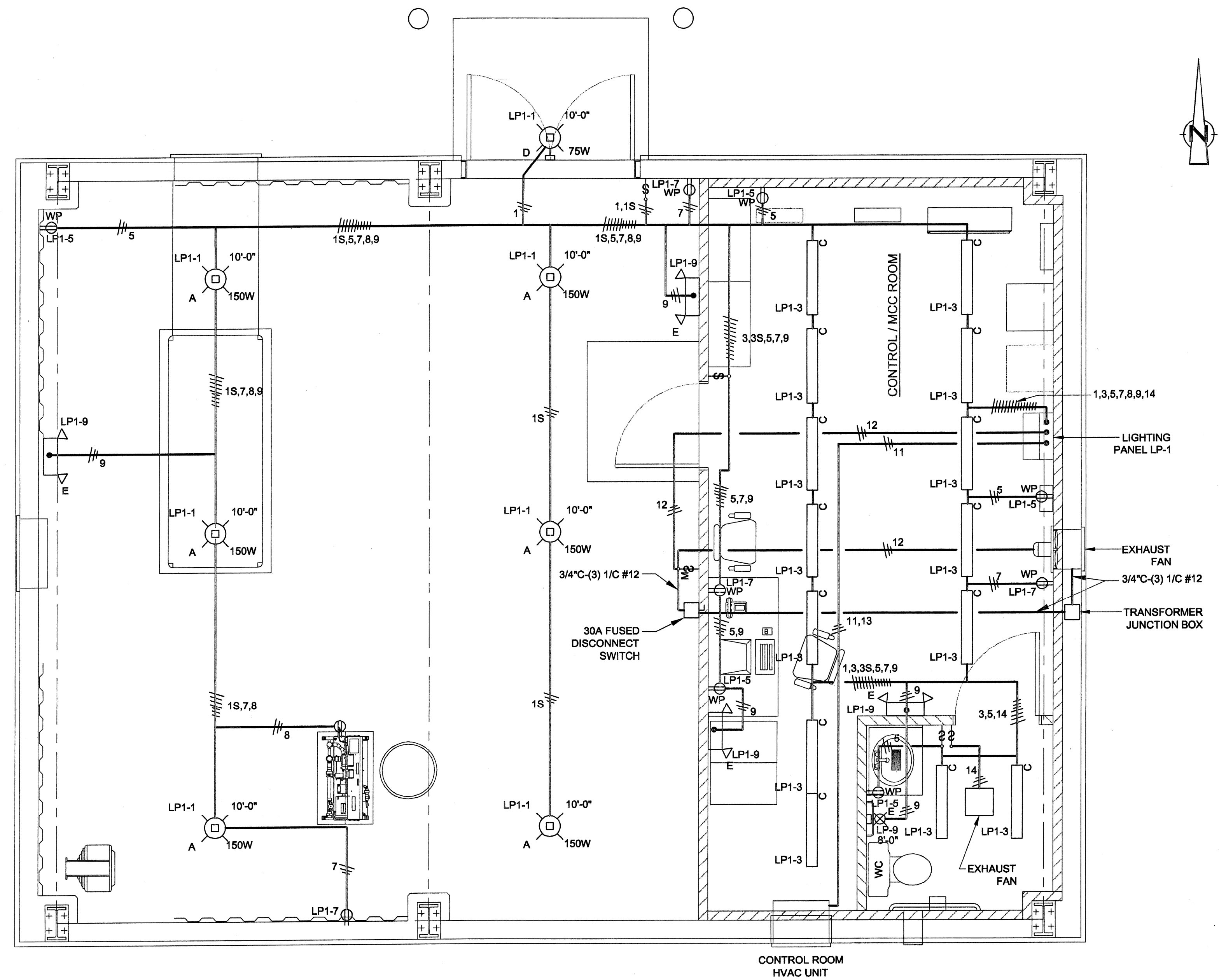
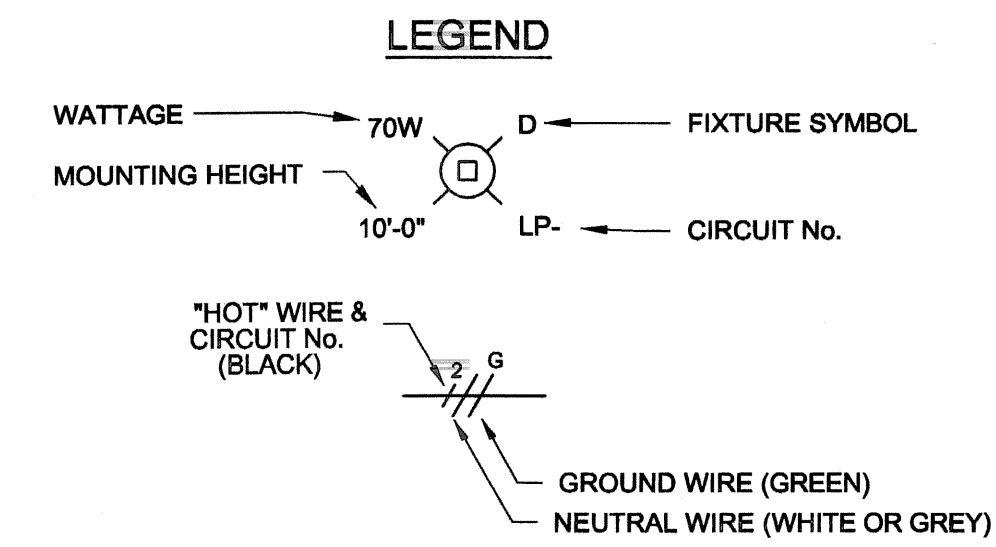
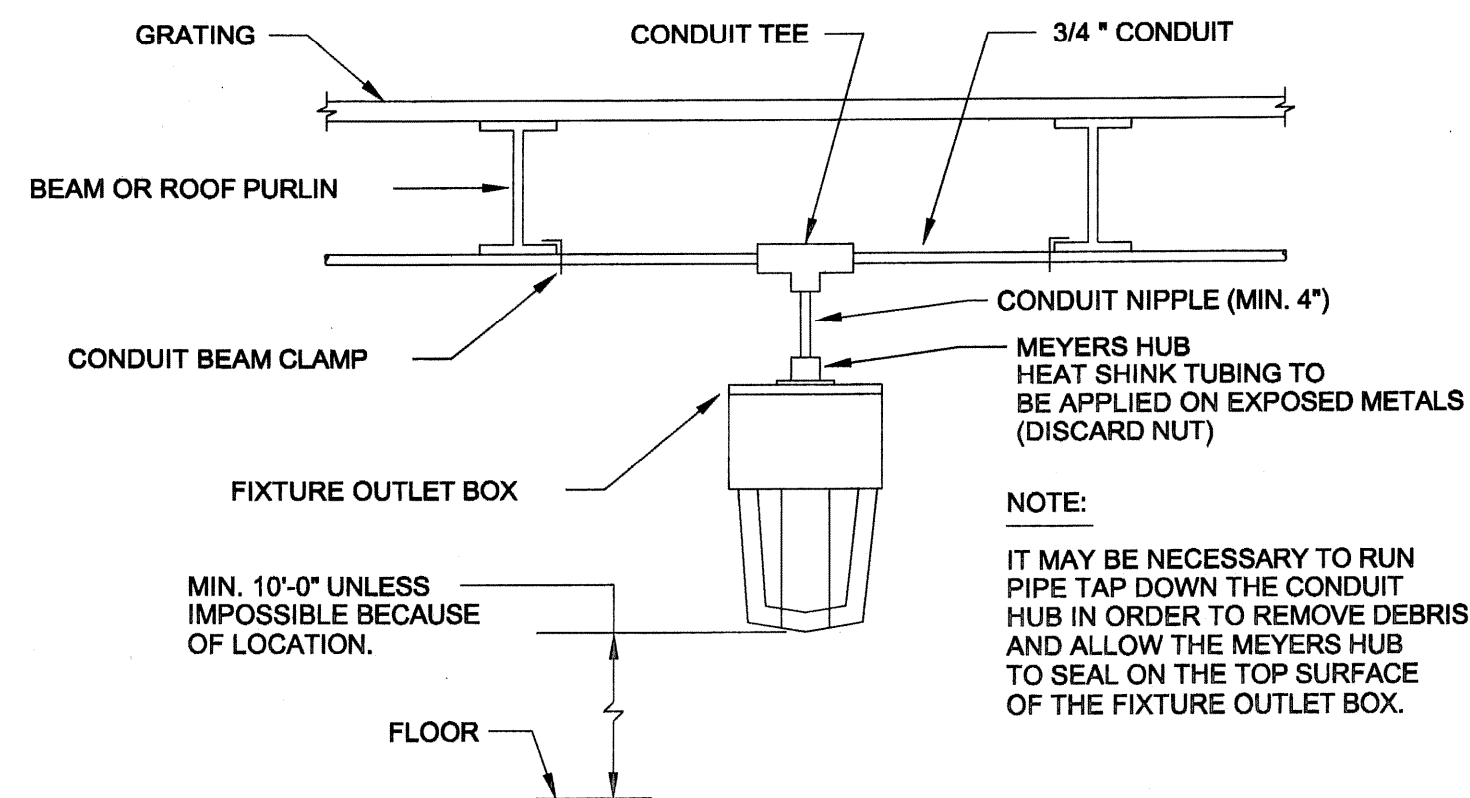
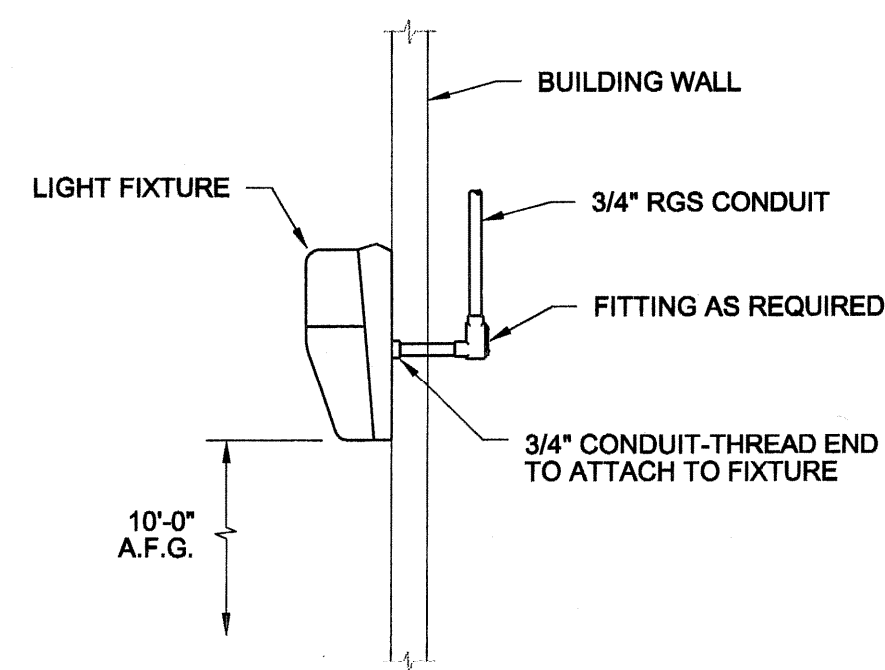
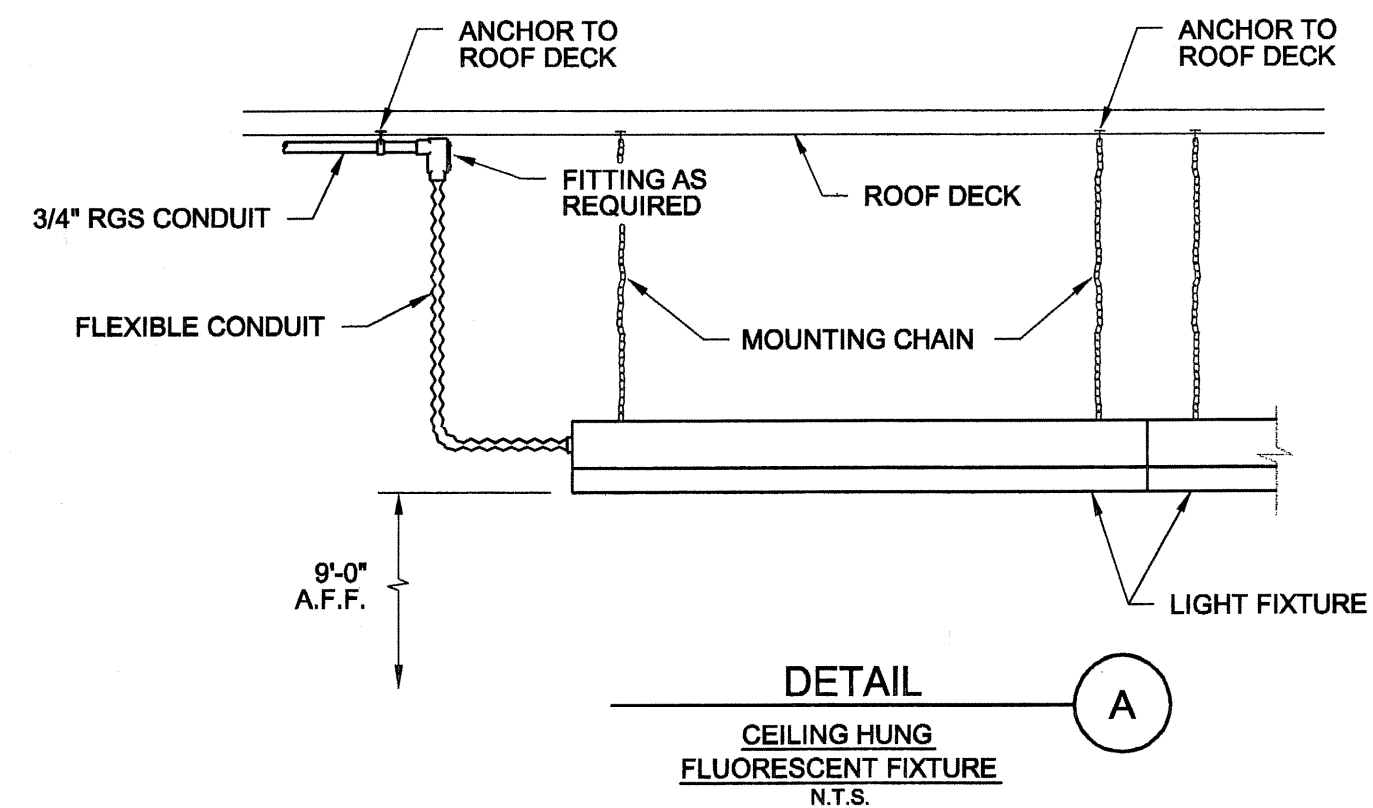


**LIGHTING LEGEND**

SYMBOL	DESCRIPTION
	LITHONIA LIGHTING FIXTURE-METAL HALIDE-175W CAT. #FXL 175M A20 120 WG COMPLETE W/GE #MVR 175/U LAMP MOUNTING HEIGHT TO BE 10'-0" BOF SEE DETAIL C.
	LITHONIA INDUSTRIAL FLUORESCENT LIGHTING FIXTURE CAT. #AF10 340 120 HC COMPLETE WITH 3-40T12 LAMPS MOUNTING HEIGHT TO BE 9'-0" BOF SEE DETAIL A.
	LITHONIA WALL-PAK LIGHTING FIXTURE-METAL HALIDE-70W CAT. #TWA 70M 120 PE LPI MOUNTING HEIGHT TO BE 10'-0" BOF SEE DETAIL B.
	LITHONIA EMERGENCY LIGHTING FIXTURE CAT. #ELU4X-N1812 MOUNTING HEIGHT TO BE 8'-0" BOF UNLESS NOTED OTHERWISE ON PLAN.
	HUBBELL DUPLEX RECEPTACLE, 20A, 125V, 3-WIRE, GROUNDED CAT. #53CM62, MOUNTED IN BOX #60CM83 W/COVER #52CM21 TO BE MOUNTED 4'-0" AFF UNLESS NOTED OTHERWISE ON PLAN.
	HUBBELL SINGLE POLE LIGHTING TOGGLE SWITCH, 20A, 120V CAT. #1221, MOUNTED IN BOX #6080 W/COVER #95071 TO BE MOUNTED 4'-6" AFF UNLESS NOTED OTHERWISE ON PLAN.
	SQUARE-D MANUAL MOTOR STARTER CAT. #2510-FS1 GENERAL PURPOSE FLUSH MOUNTING WITH STAINLESS STEEL PLATE. MOUNT IN SURFACE BOX AS REQUIRED. TO BE MOUNTED 4'-6" AFF UNLESS NOTED OTHERWISE ON PLAN.
	LITHONIA EMERGENCY LIGHTING FIXTURE REMOTE HEAD CAT. #ELA N1212 MOUNTING HEIGHT TO BE 8'-0" BOF UNLESS NOTED OTHERWISE ON PLAN.



**GENERAL NOTES**

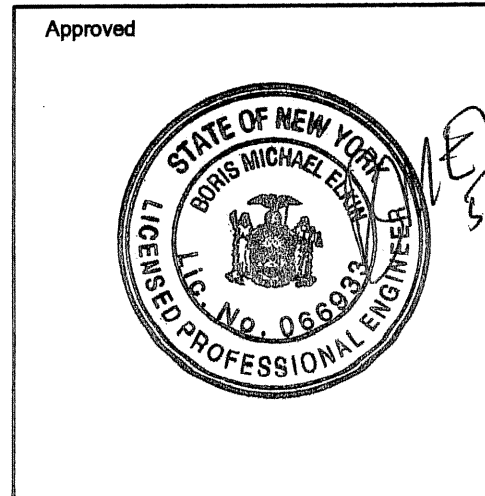
- ALL CONDUIT TO BE RIGID GALVANIZED STEEL (RGS). MINIMUM CONDUIT SIZE TO BE 3/4".
- CONDUIT TO BE SUPPORTED EVERY 10'-0" MINIMUM (RGS) OR 3'-0" MINIMUM (PVC) AND SHALL BE INSTALLED IN A MANNER SUCH THAT THEY DO NOT CONSTITUTE A TRIPPING HAZARD OR INFRINGE UPON THE 8'-0" MINIMUM HEAD CLEARANCE.
- ALL WALL-THRU CONDUIT PENETRATIONS TO BE WEATHER SEALED WITH APPROVED SILICONE SEALER.
- ALL LIGHTING WIRING TO BE No. 12 AWG THHN, UNLESS OTHERWISE NOTED.
- EACH LIGHTING CIRCUIT SHALL BE PROVIDED WITH A DEDICATED NEUTRAL.
- ALL WIRE SHALL BE TAGGED WITH APPROPRIATE CIRCUIT NUMBERS AT BOTH TERMINAL ENDS.
- SUPPORTS AND HANGERS: ALL EQUIPMENT/DEVICE/FIXTURE SUPPORTS AND HANGERS SHALL BE HOT DIPPED GALVANIZED STEEL ANGLE OR CHANNEL OR PIPE OR OTHER STRUCTURAL SHAPE OF 1/4" THICK MINIMUM. DO NOT USE PVC CONDUIT AS EQUIPMENT/DEVICE/FIXTURE SUPPORTING MEMBER.
- ALL CONDUIT AND WIRE SHOWN IS DIAGRAMMATIC, E.C. TO RUN CONDUIT AND WIRE TO ALL DEVICES AS REQUIRED. CONDUIT AND WIRE TO BE SIZED IN ACCORDANCE WITH NEC.

DATE PRINTED  
5/26/05

100% REVIEW DRAWINGS  
NOT FOR CONSTRUCTION

SCALE VERIFICATION: THIS BAR MEASURES 1" ON ORIGINAL. ADJUST SCALE ACCORDINGLY.

No	Revision	Date	Initial



HOOKER/RUCO SITE  
HICKSVILLE, NEW YORK

BIOSPARGE TREATMENT SYSTEM

CONTROL BUILDING  
LIGHTING PLAN AND DETAILS

Source Reference:		Date:	
		SEPTEMBER 2003	
Project Manager:	Reviewed By:	Designed By:	Drawn By:
J. KAY	BME/TFP	DLS	DLS
Scale:	Project No:	Report No:	Drawing No:
3/8"=1'-0"	06883-10	045	E-04