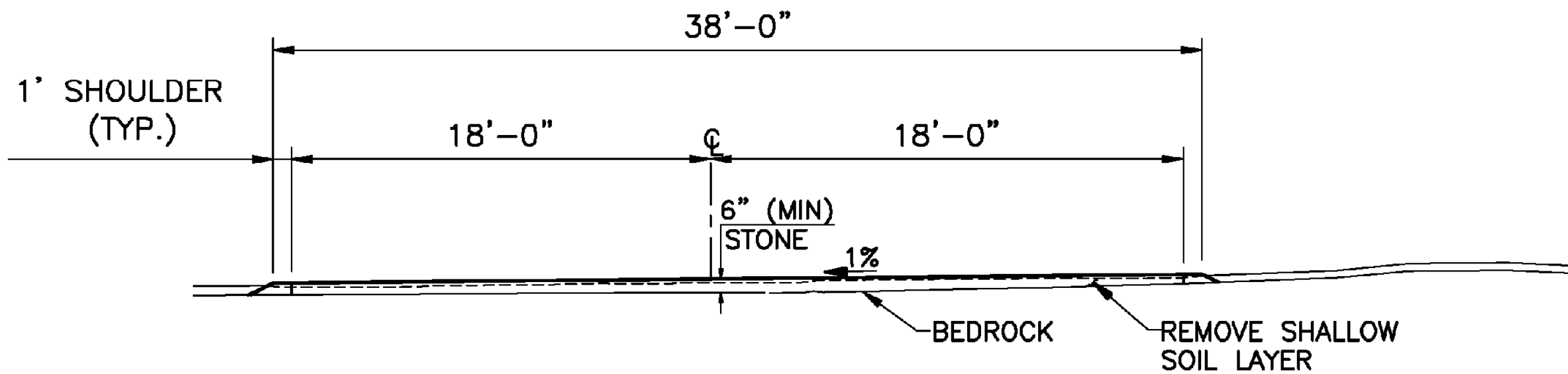


**TYPICAL SERVICE ROAD DETAIL**

NOT TO SCALE



**TYPICAL SERVICE ROAD IN SHALLOW SOIL DETAIL**

NOT TO SCALE



SERVICE ROAD DETAILS



HOUNSFIELD WIND FARM

FIGURE 1.4-1

ACP-NY-F:\PROJECT\507\NY021\GIS\mxd\090128\_serviceroad\details.mxd Date: 1/28/2008 2:19:58 PM Name: smcmand