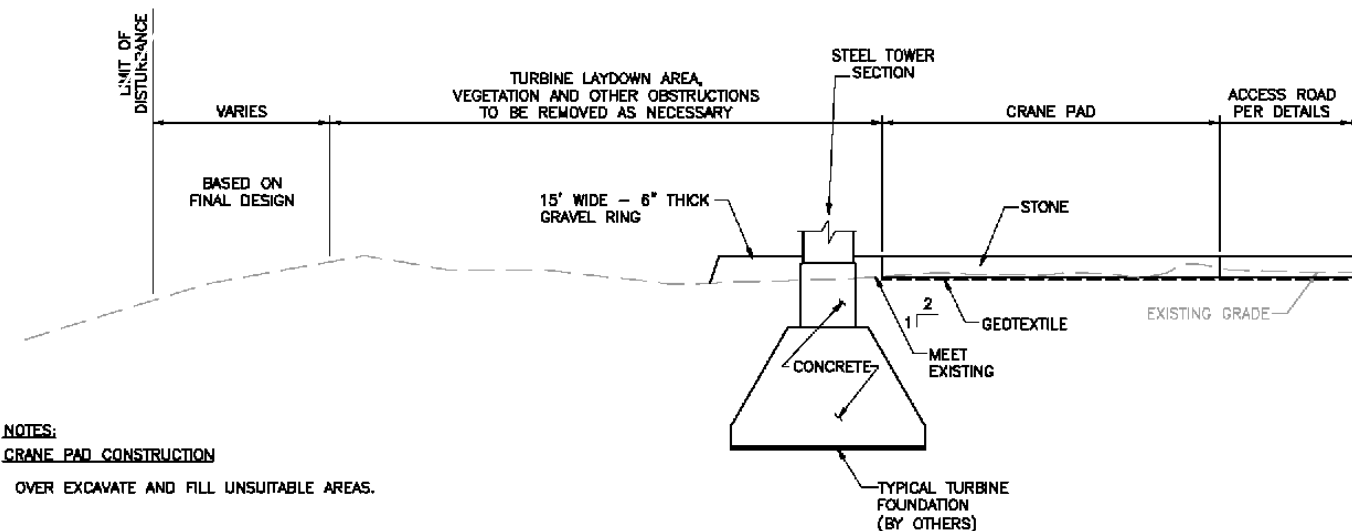


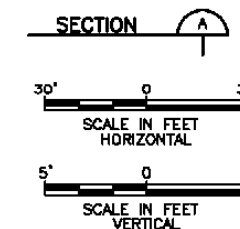
TYPICAL TURBINE LAYOUT DETAIL



NOTES:

CRANE PAD CONSTRUCTION

1. OVER EXCAVATE AND FILL UNSUITABLE AREAS.
2. FILL RUTS AND POT HOLES AND SMOOTH EXISTING GRADE PRIOR TO PLACEMENT OF STONE COURSE.
3. STONE SHALL BE A MINIMUM OF 12" THICKNESS, EXCEPT WHEN PLACED DIRECTLY ON BEDROCK, WHEN THE MINIMUM THICKNESS MAY BE REDUCED TO 6".
4. LEVEL THE CRANE PADS TO MAXIMUM 1% SLOPE IN ANY DIRECTION.
5. COMPACT CRANE PAD TO PROVIDE A GROUND BEARING CAPACITY OF NOMINAL 3,600 POUNDS PER SQUARE FOOT IN WET OR DRY CONDITIONS.
6. BACKFILL THE TRANSITION WITH THE SUBGRADE MATERIAL.



GRAVEL CRANE PAD AND TURBINE LAYDOWN AREA



HOUNSFIELD WIND FARM

FIGURE 1.2-7

ACP-NY-F:\PROJECT\507\NY021\GIS\mxd\090127_gravelpad_turbine\laydown.mxd Date: 1/27/2008 2:19:58 PM Name: 5mcmamd