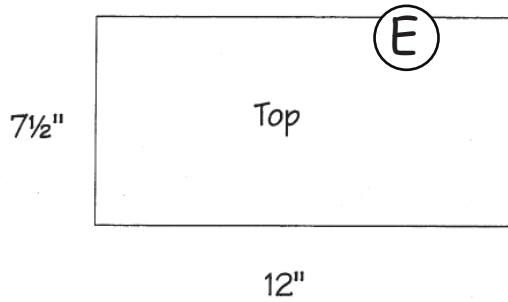
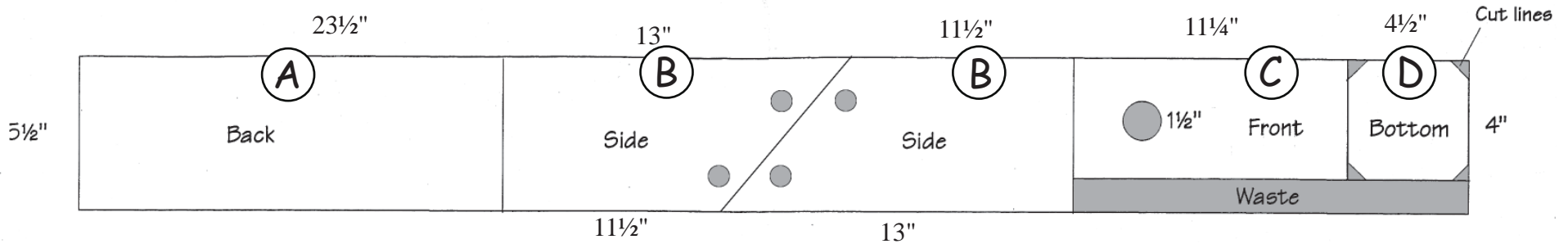
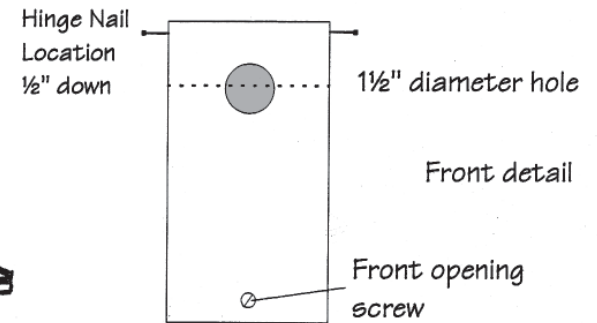


# How to build a better bluebird house

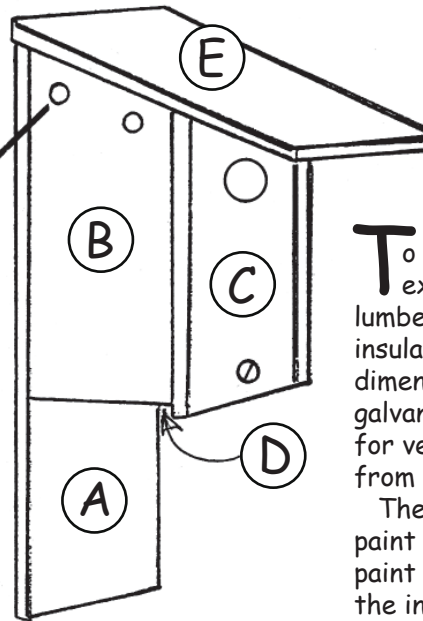


Ends can be beveled,  
but it's not necessary



3/4" holes  
for ventilation

To help birds exit the box, rough up the front inside panel or attach a piece of screen. You can also add a cut block of a 2"x4" in the bottom of the box to "raise" the floor (reducing the distance from the floor to the hole)



**T**o Make a nest box, use any kind of lumber except interior plywood or chemically treated lumber. The wood should be at least 3/4" thick for insulation. However, if thicker wood is used, dimensions should be adjusted. Use aluminium or galvanized nails: cut off corners of the bottom piece for ventilation. The long roof overhang keeps racoons from reaching in.

The outside can be painted with an exterior latex paint in light colors (gray or tan are best). Be sure to paint all outer sides to prevent warping. Do not paint the inside. Bluebird houses are more successful if you put up more than one.

